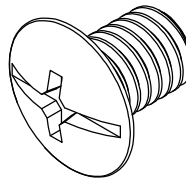
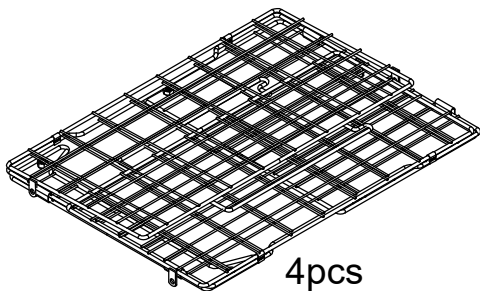
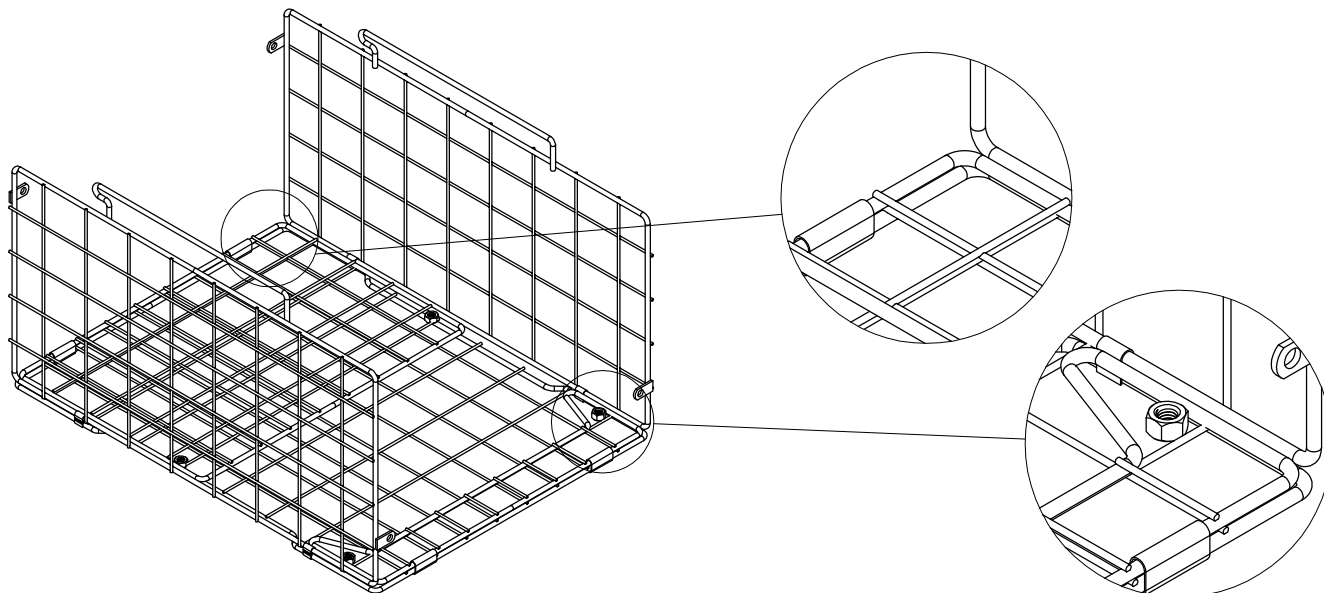


Assembling Instruction

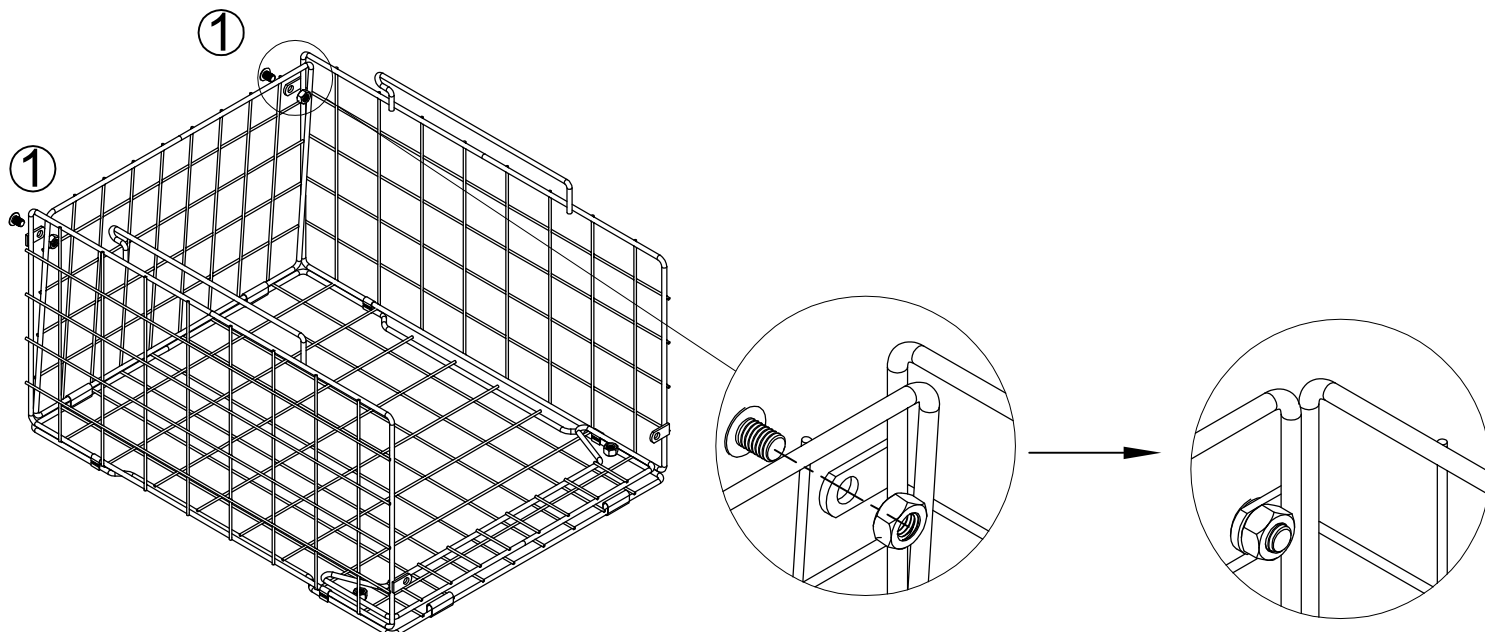
Parts Included



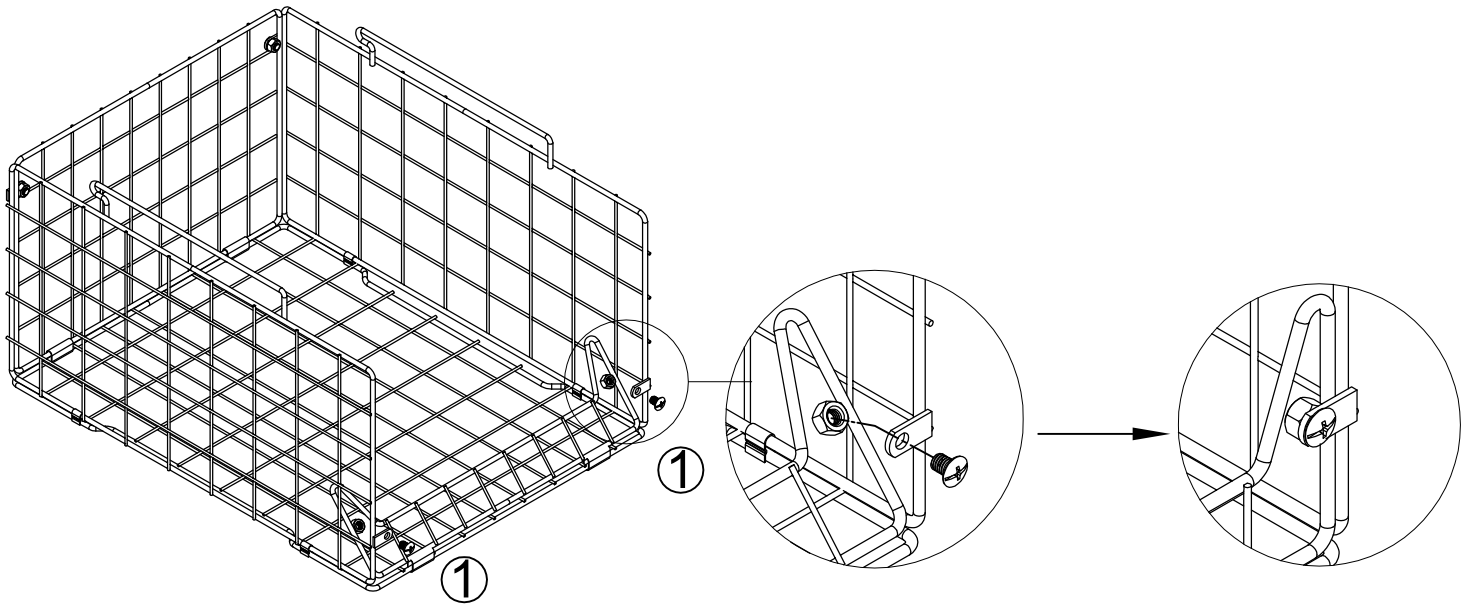
1. Arrange the front and rear mesh panels according to the image. Note that the front and rear mesh panels are placed on top of the bottom mesh.



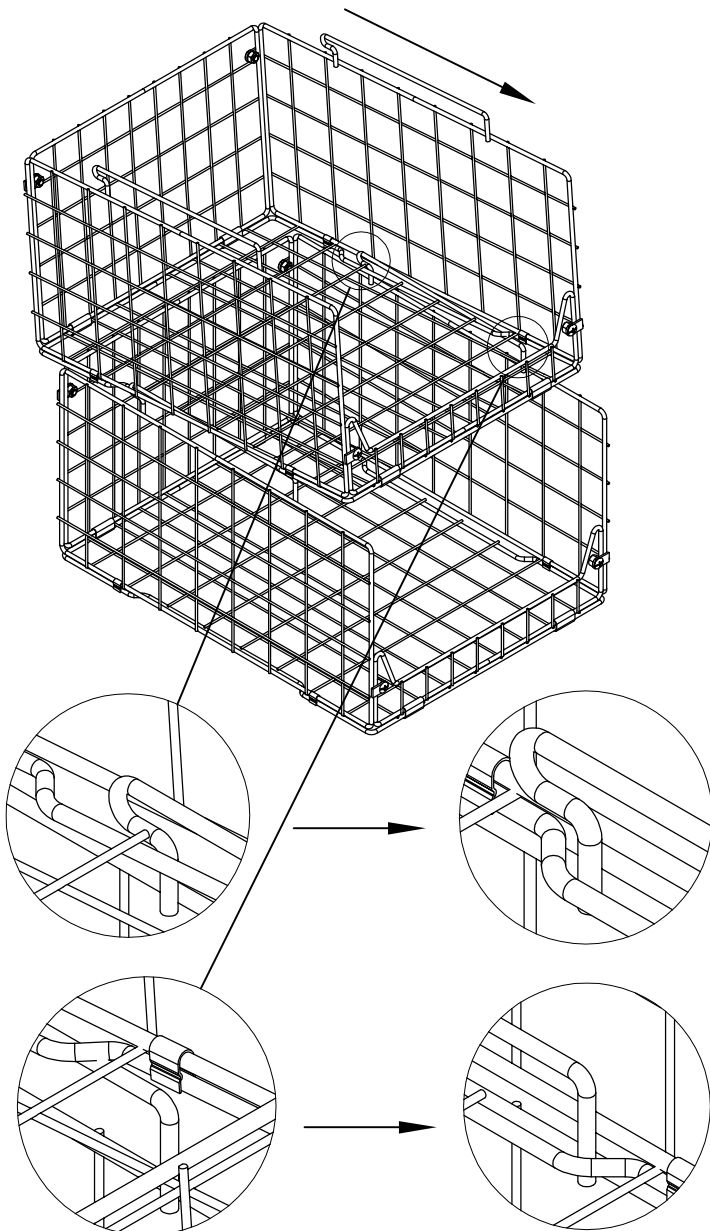
2. Use screws to secure the rear mesh panel and the side mesh panels together.



3. Use screws to secure the front mesh panel and the side mesh panels together.



4. Tilt the basket, first fit it into the rear slot, and then pull it from back to front.



5. Install other baskets using the same method.

