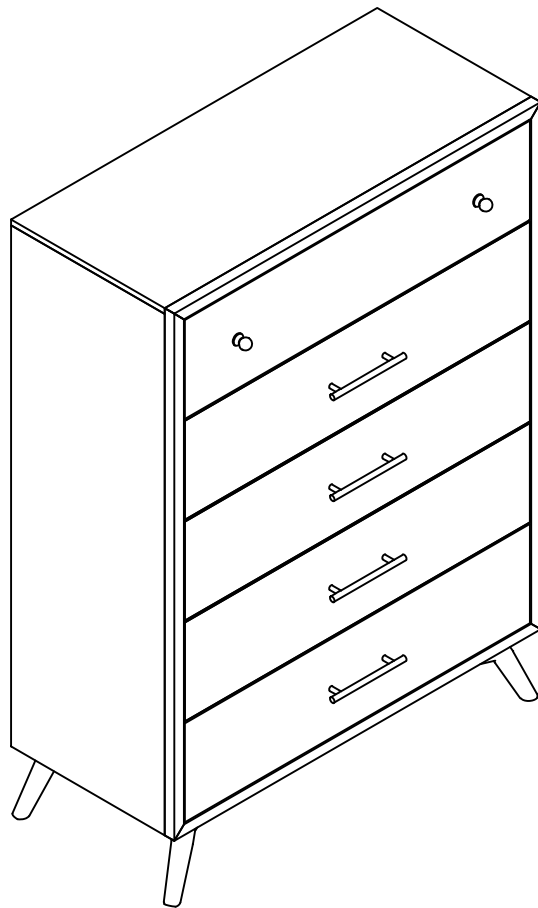
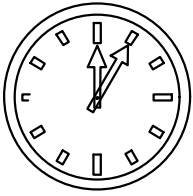
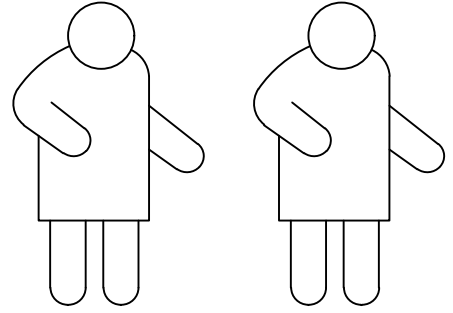


Assembly Instructions

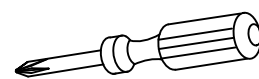
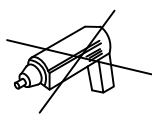
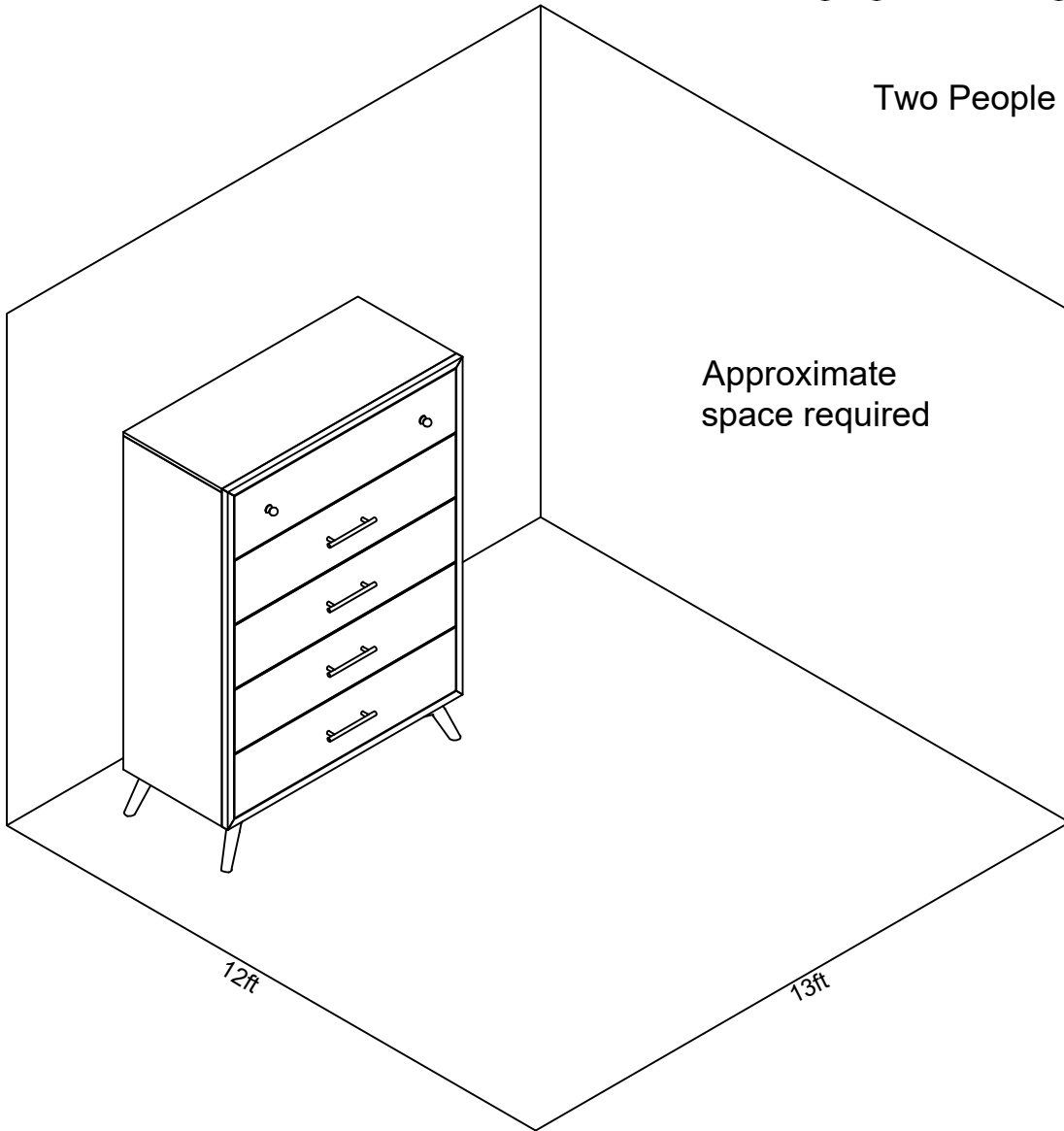




5 min



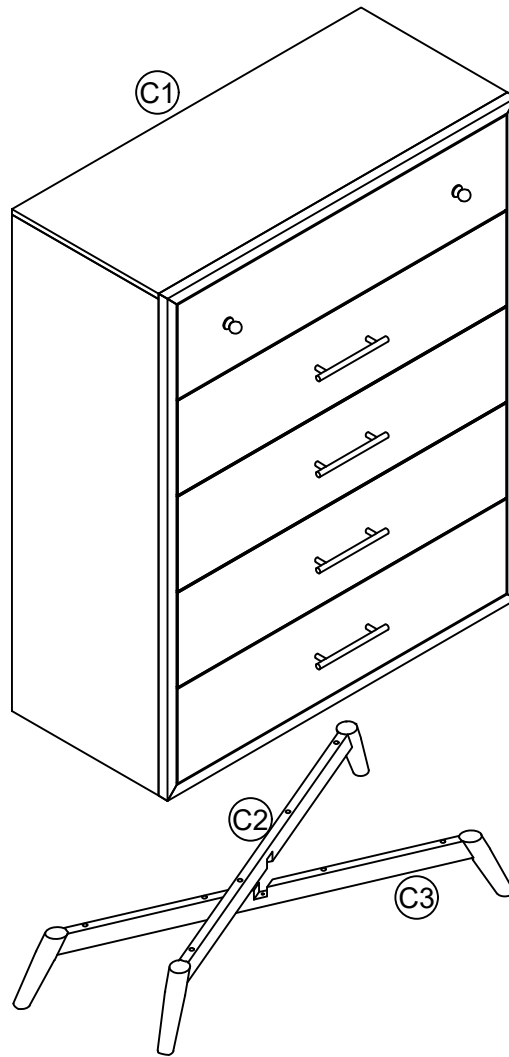
Two People Required




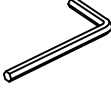
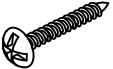
Phillips Head

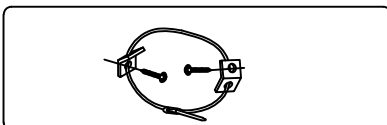
PARTS INCLUDED

- (C1) Chest Body x 1
- (C2) Top Legs x 1
- (C3) Bottom Legs x 1



Hardware Pack

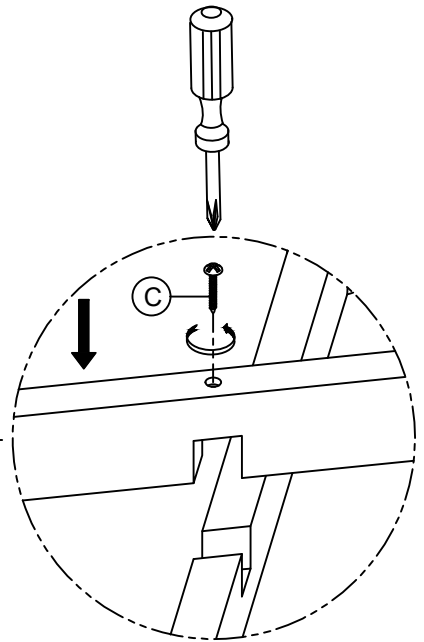
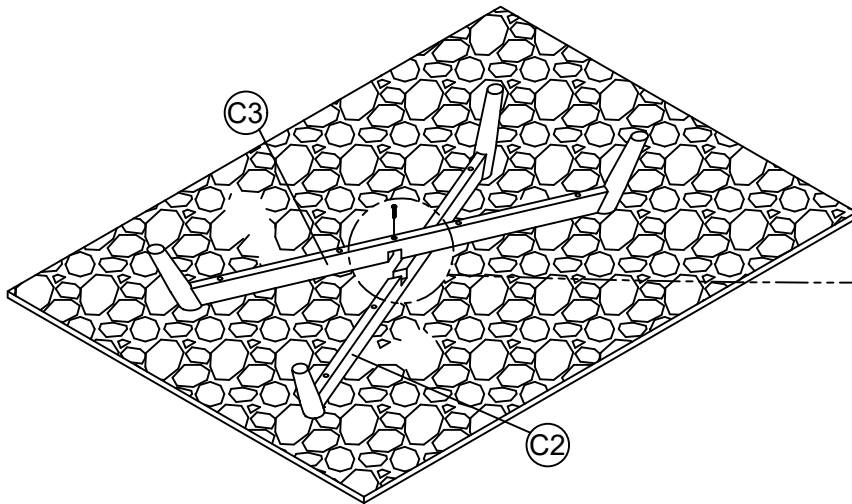
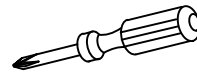
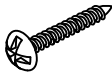
A  Ø8x60 (mm) : 8pcs	B  1pc	C  Ø4x25 (mm): 1pc
---	---	---



ANTI-TIP SET

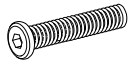
1

C x 1

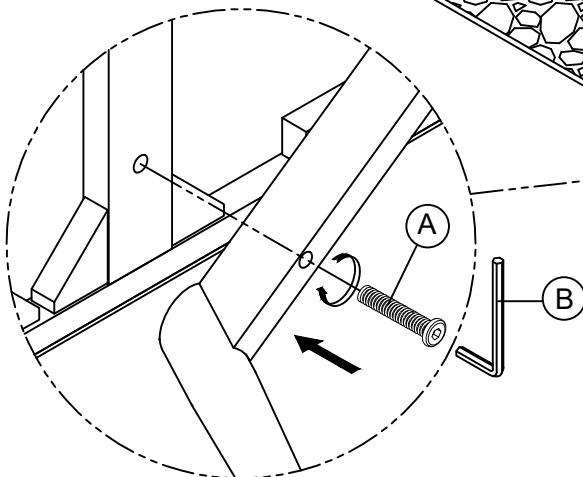
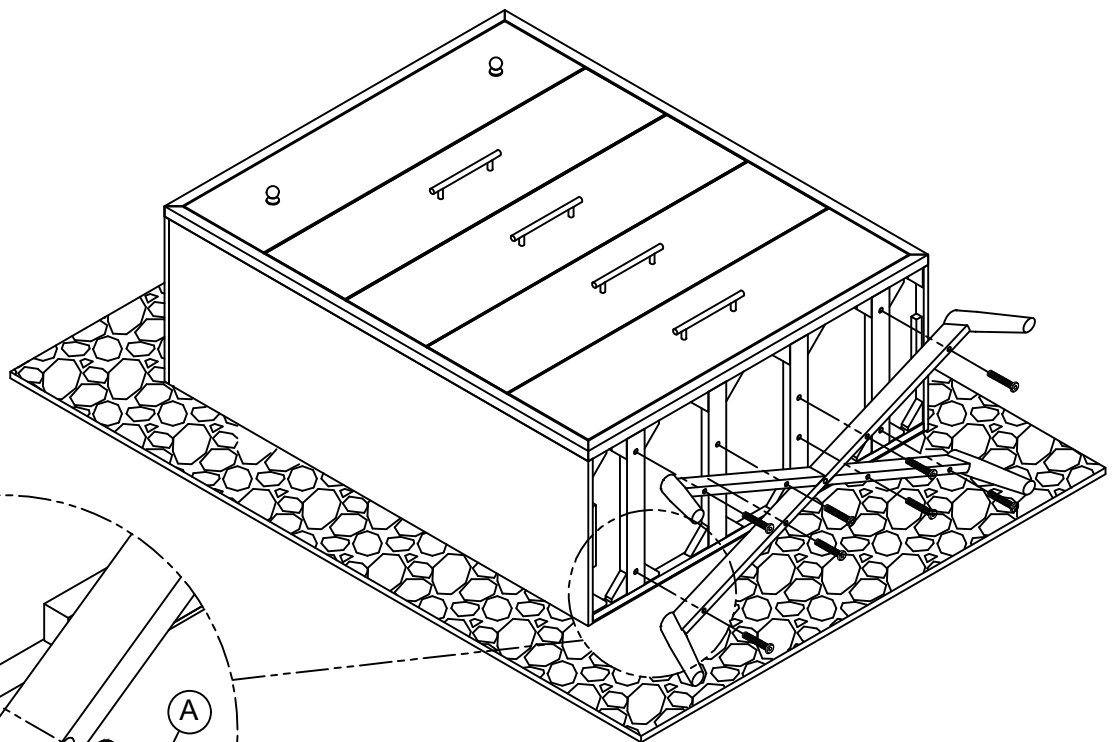


2

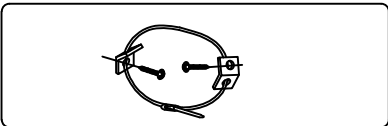
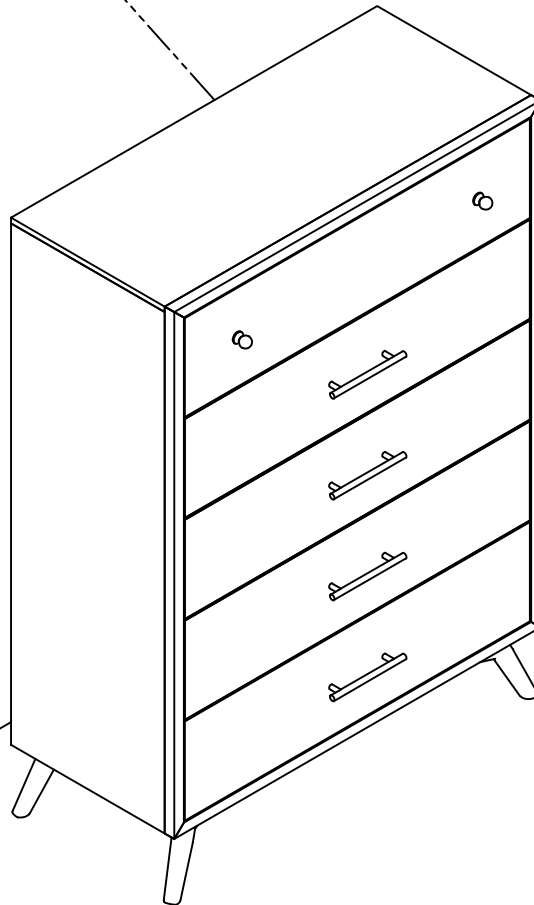
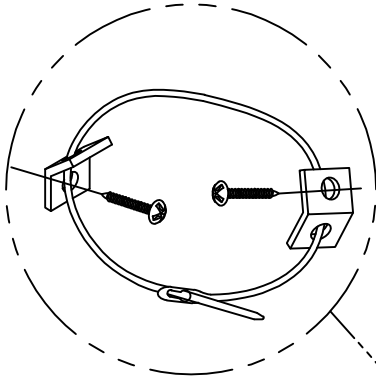
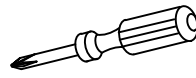
A x 8



B x 1



3



ANTI-TIP SET