

ASSEMBLY INSTRUCTION

This set includes 3 boxes if don't receive full 3 boxes please contact our customer service team



! SAFETY WARNINGS !

1. This bed is designed for use only mattress (es) meeting the following specifications on the upper bunk, and lower bunk

Upper Bed

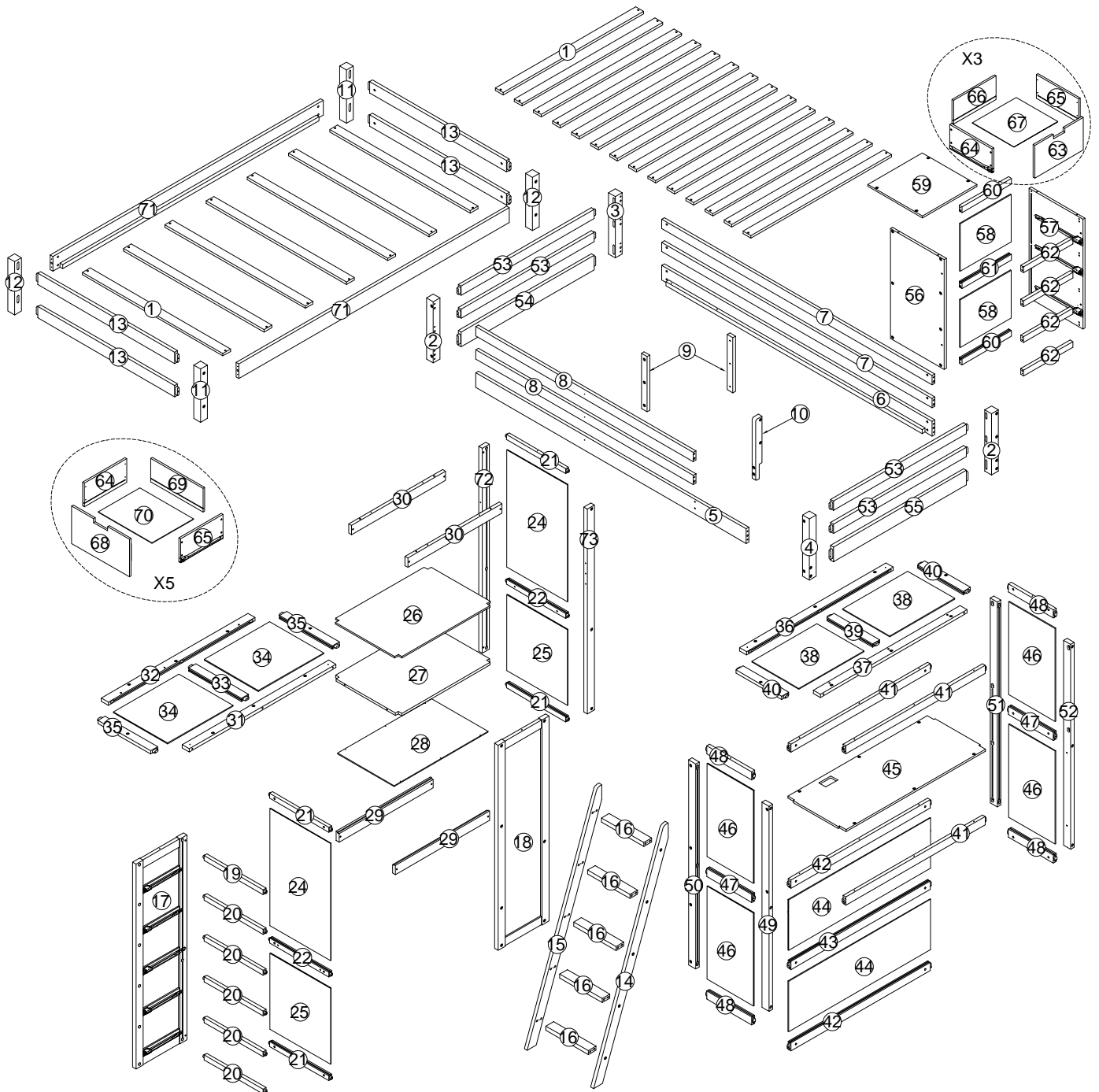
Bed Type	Length	Width	Thickness
<i>Twin Standard</i>	<i>74" - 75"</i>	<i>38 1/2"</i>	<i>6" max</i>

Lower Bed




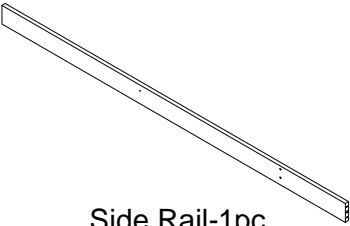
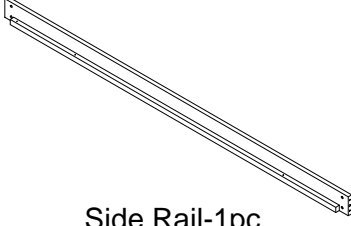
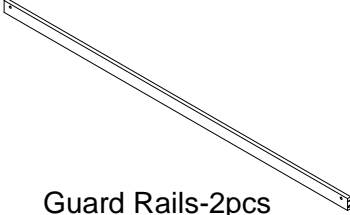
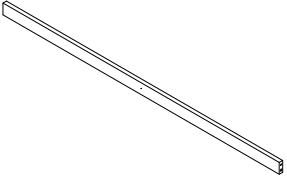





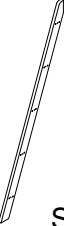
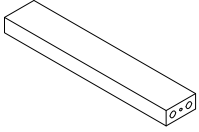
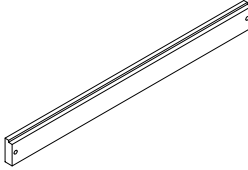
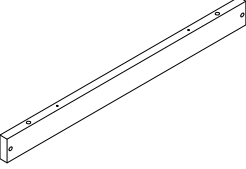
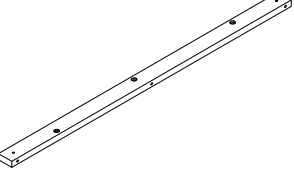
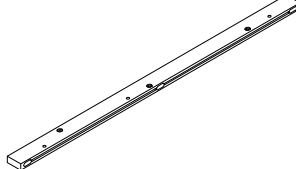
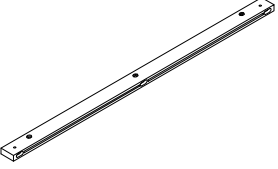
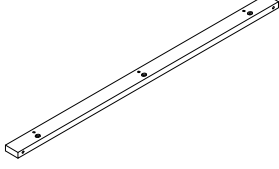

Bed Type	Length	Width	Thickness
<i>Twin Standard</i>	<i>74" -75"</i>	<i>38 1/2"</i>	<i>8" max</i>

2. Replacement parts, including additional guardrails, maybe obtained from any of our (GIGACLOUD TECHNOLOGY (USA) INC. 18961 ARENTH AVENUE CITY OF INDUSTRY, CA, 91748) dealers
3. Follow the information on the warnings appearing on the upper bunk bed end structure and on the carton. Do not remove warning label from bed
4. Always use the recommended size mattresses or mattress supports, or both, to help prevent the likelihood of entrapment or falls.
5. Surface of mattress must be at least 5" (127mm) below the upper edge of guardrails
6. Do not allow children under 6 years of age to use the upper bunk.
7. Periodically check and ensure that the guardrail, ladder, and other components are in their proper position, free from damage, and that all connectors are tight.
8. Do not allow horseplay on or under the bed and prohibit jumping on the bed.
9. Always use the ladder for entering and leaving the upper bunk Always use the ladder for entering and leaving the upper bunk.
10. Do not use substitute part. Contact the manufacture or dealer for replacement part
11. Use of a night light may provide added safety precaution for a child using the upper bunk. .
12. Always use guardrails on both long sides of the upper bunk. If the bunk bed will be placed next to the wall, the guardrail that runs the full length of the bed should be placed against the wall to prevent entrapment between the bed and wall.
13. The use of water or sleep flotation mattresses is prohibited
14. **STRANGULATION HAZARD** - Never attach or hang items to any part of the bunk bed that are not designed for use with the bed; for example, but not limited to, hook, belts and jump ropes
15. Keep these instruction for future reference
16. Prohibit more than one person on upper bunk
17. We recommend assembling your bunk bed on the shipping carton to protect your floor or carpet
18. Be certain all staples are out of the box before beginning assembly on the shipping carton.




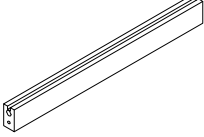
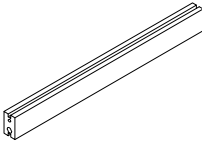
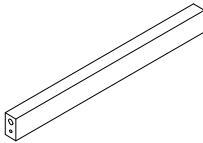
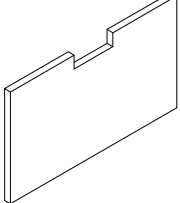
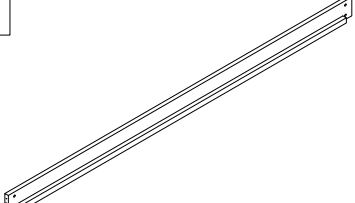
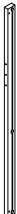

ASSEMBLY INSTRUCTION





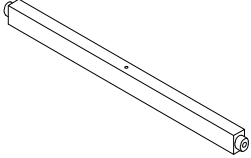
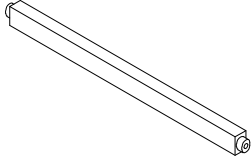
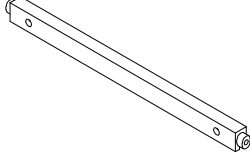
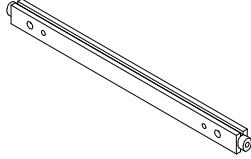

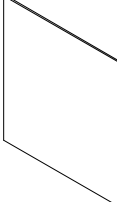
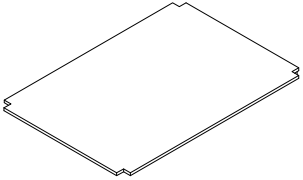
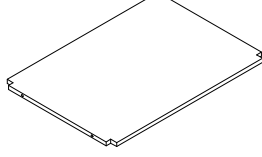
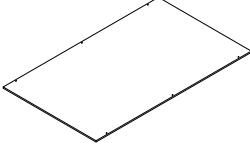

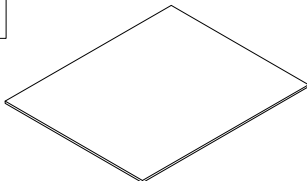
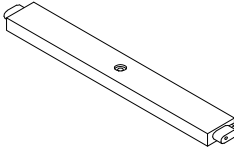

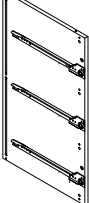
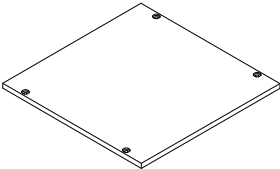
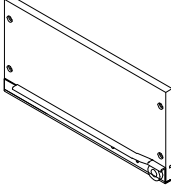
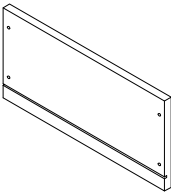
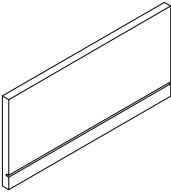
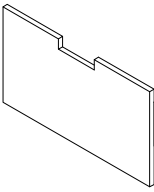
Part List

<p>2</p>  <p>Legs-2pcs</p>	<p>3</p>  <p>Leg-1pc</p>	<p>4</p>  <p>Leg-1pc</p>
<p>5</p>  <p>Side Rail-1pc</p>	<p>6</p>  <p>Side Rail-1pc</p>	<p>7</p>  <p>Guard Rails-2pcs</p>
<p>8</p>  <p>Guard Rails-2pcs</p>	<p>9</p>  <p>Rails-2pcs</p>	<p>10</p>  <p>Rail-1pc</p>
<p>11</p>  <p>Legs-2pcs</p>	<p>12</p>  <p>Legs-2pcs</p>	<p>14</p>  <p>Side Ladder-1pc</p>
<p>15</p>  <p>Side Ladder-1pc</p>	<p>16</p>  <p>Step Ladders-5pcs</p>	<p>29</p>  <p>Wood Bars-2pcs</p>
<p>30</p>  <p>Wood Bars-2pcs</p>	<p>31</p>  <p>Wood Bar-1pc</p>	<p>32</p>  <p>Wood Bar-1pc</p>
<p>36</p>  <p>Wood Bar-1pc</p>	<p>37</p>  <p>Wood Bar-1pc</p>	<p>49</p>  <p>Wood Bar-1pc</p>

Part List

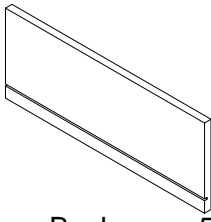
<p>50</p>  <p>Wood Bar-1pc</p>	<p>51</p>  <p>Wood Bar-1pc</p>	<p>52</p>  <p>Wood Bar-1pc</p>
<p>60</p>  <p>Wood Bars-2pcs</p>	<p>61</p>  <p>Wood Bar-1pc</p>	<p>62</p>  <p>Wood Bars-4pcs</p>
<p>63</p>  <p>Drawer-Front pane-3pcs</p>	<p>71</p>  <p>Side Rails-2pcs</p>	<p>72</p>  <p>Wood Bar-1pc</p>
<p>73</p>  <p>Wood Bar-1pc</p>		

Part List & Hardware List

<p>17</p>  <p>Side Frame-1pc</p>	<p>18</p>  <p>Side Frame-1pc</p>	<p>19</p>  <p>Wood Bar-1pc</p>
<p>20</p>  <p>Wood Bars-5pcs</p>	<p>21</p>  <p>Wood Bars-4pcs</p>	<p>22</p>  <p>Wood Bars-2pcs</p>
<p>24</p>  <p>Pane-2pcs</p>	<p>25</p>  <p>Pane-2pcs</p>	<p>26</p>  <p>Remove Pane-1pc</p>
<p>27</p>  <p>Pane-1pc</p>	<p>28</p>  <p>Bottom Pane-1pc</p>	<p>33</p>  <p>Wood Bar-1pc</p>
<p>34</p>  <p>Pane-2pcs</p>	<p>35</p>  <p>Wood Bars-2pcs</p>	<p>56</p>  <p>Side Pane-1pc</p>
<p>57</p>  <p>Side Pane-1pc</p>	<p>59</p>  <p>Top Pane-1pc</p>	<p>64</p>  <p>Drawer-Side pane-8pcs</p>
<p>65</p>  <p>Drawer-Side pane-8pcs</p>	<p>66</p>  <p>Drawer-Back pane-3pcs</p>	<p>68</p>  <p>Drawer-Front pane-5pcs</p>

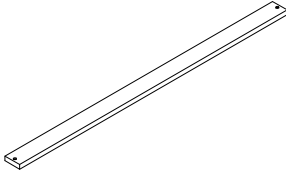
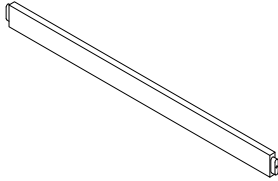
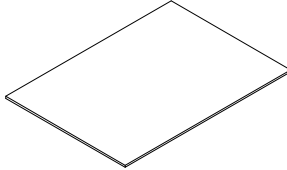
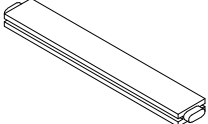
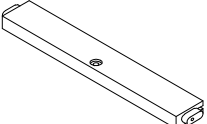
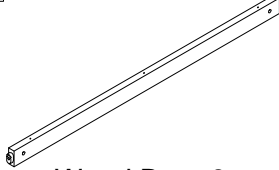
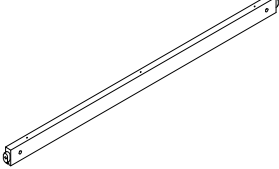
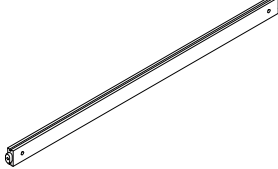
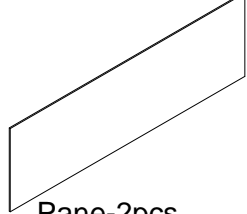
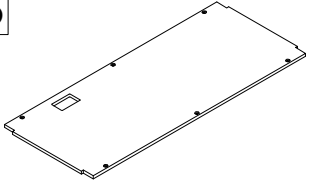
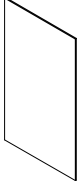
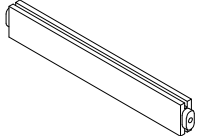
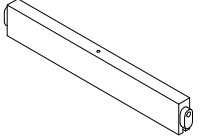
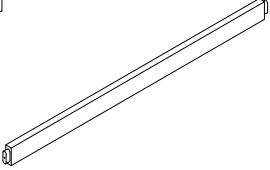
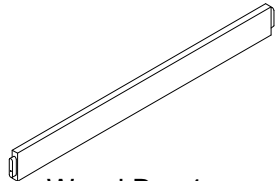
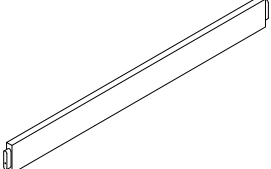
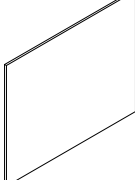
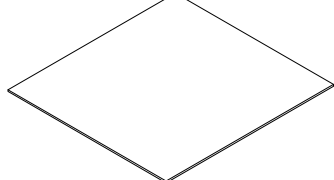
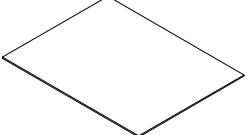
Part List & Hardware List

69


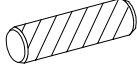
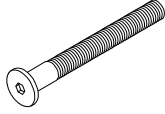



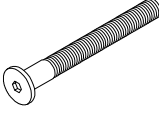
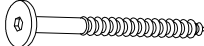
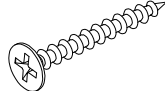
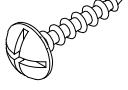
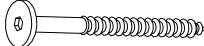

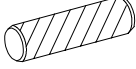

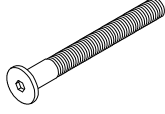
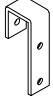
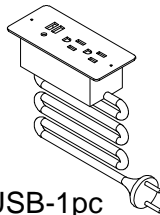


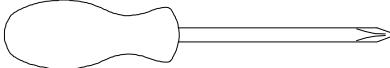


Drawer-Back pane-5pcs

Part List

<p>1</p>  <p>Slats-21pcs</p>	<p>13</p>  <p>Wood Bars-4pcs</p>	<p>38</p>  <p>Pane-2pcs</p>
<p>39</p>  <p>Wood Bar-1pc</p>	<p>40</p>  <p>Wood Bars-2pcs</p>	<p>41</p>  <p>Wood Bars-3pcs</p>
<p>42</p>  <p>Wood Bars-2pcs</p>	<p>43</p>  <p>Wood Bar-1pc</p>	<p>44</p>  <p>Pane-2pcs</p>
<p>45</p>  <p>Table pan-1pc</p>	<p>46</p>  <p>Side pane-4pcs</p>	<p>47</p>  <p>Wood Bars-2pcs</p>
<p>48</p>  <p>Wood Bars-4pcs</p>	<p>53</p>  <p>Wood Bars-4pcs</p>	<p>54</p>  <p>Wood Bar-1pc</p>
<p>55</p>  <p>Wood Bar-1pc</p>	<p>58</p>  <p>Back Pane-2pcs</p>	<p>67</p>  <p>Drawer-Bottom pane-3pcs</p>
<p>70</p>  <p>Drawer-Bottom pane-5pcs</p>		

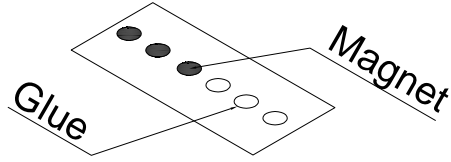
Hardware List

<p>A</p>  <p>Screws 1/4"x80 18pcs</p>	<p>B</p>  <p>Ø10 x 40 mm Wood dowel 36pcs</p>	<p>C</p>  <p>Ø1/4" x 90 mm Hex-Head bolts 44pcs</p>
<p>D</p>  <p>Ø1/4" x 13 mm Horizontal-Hole bolts 86pcs</p>	<p>E</p>  <p>Ø1/4" x 35mm Hex-Head bolts 22pcs</p>	<p>F</p>  <p>Ø1/4" x 15 mm Canopy head through -2pcs</p>
<p>G</p>  <p>Ø1/4" x 70 mm Hex-Head bolts 34pcs</p>	<p>H</p>  <p>Screws 1/4"x30 14pcs</p>	<p>K</p>  <p>M4 x 30 mm Wood Screws 106pcs</p>
<p>L</p>  <p>M4 x20 mm Wood Screws 12pcs</p>	<p>M</p>  <p>Screws 1/4"x40 30pcs</p>	<p>N</p>  <p>Dowel Remove Shelves 4pcs</p>
<p>O</p>  <p>Ø8 x 30 mm Wood dowel 14pcs</p>	<p>P</p>  <p>Ø1/4" x 25mm Hex-Head bolts 4pcs</p>	<p>Q</p>  <p>Ø1/4" x 60 mm Hex-Head bolts 10pcs</p>
<p>R</p>  <p>Bracket 2 pcs</p>	<p>S</p>  <p>USB-1pc</p>	<p>T</p>  <p>M3.5 x 12 mm Wood Screws 2pcs</p>
<p>V</p>  <p>Allen Key 1pc</p>		

Assembly Tools Required (Not Included)

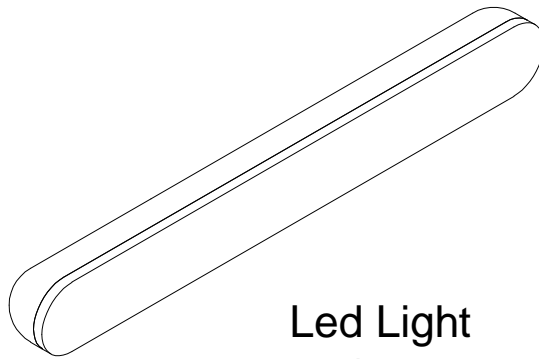
Box Of Led Light

U



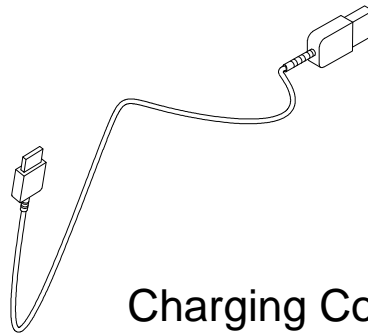
Magnet & Glue
1pc

V



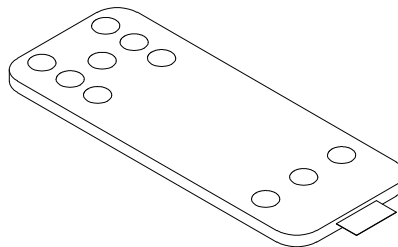
Led Light
1pc

X



Charging Cord
1pc

Y




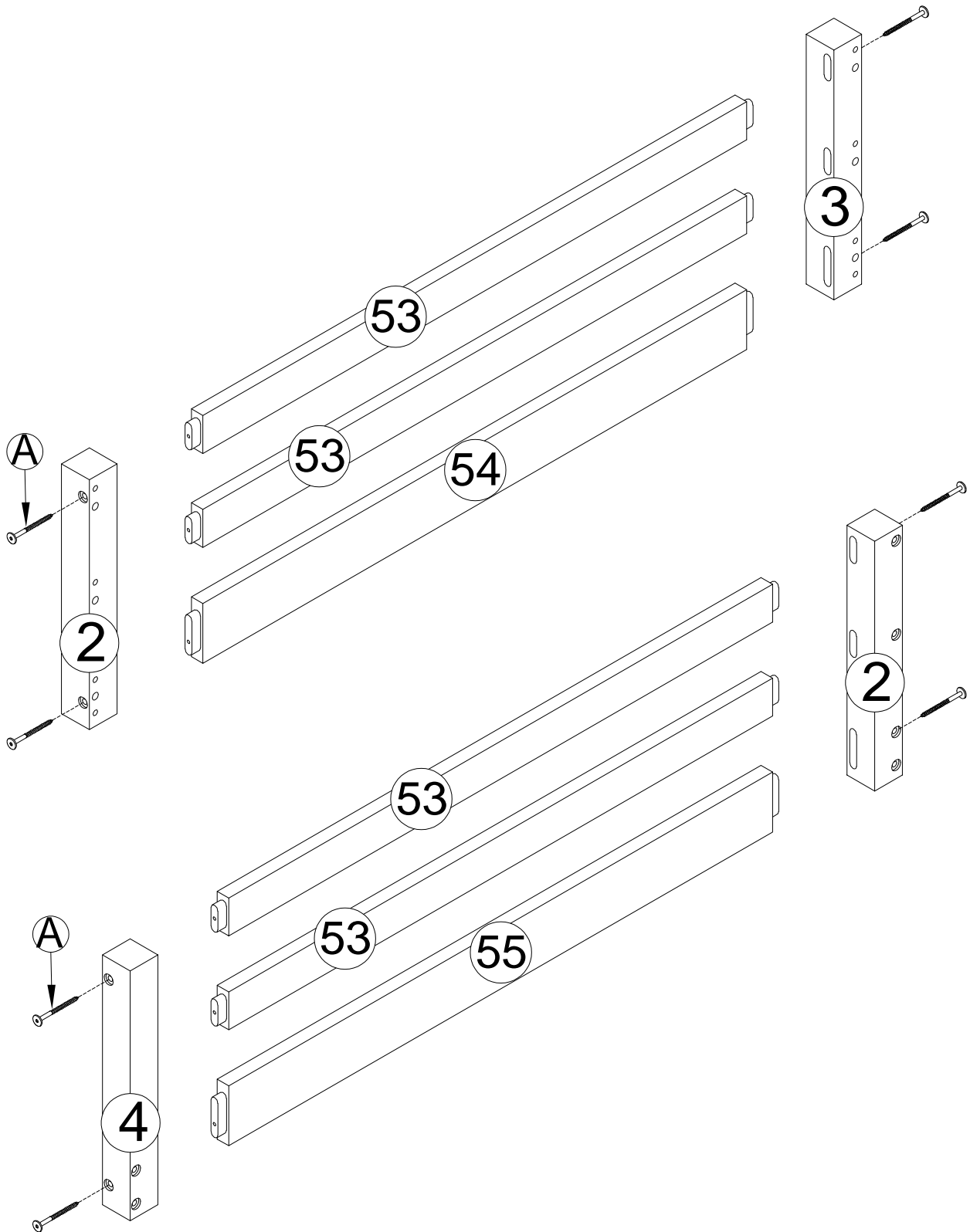
Led Remote
1pc

STEP 1: Following below illustration:

-Using HW #A connect 2,3 Legs with 53(x2),54 Wood Bars

-Using HW #A connect 2,4 Legs with 53(x2),55 Wood Bars

A

8pcs


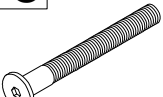

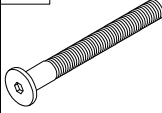




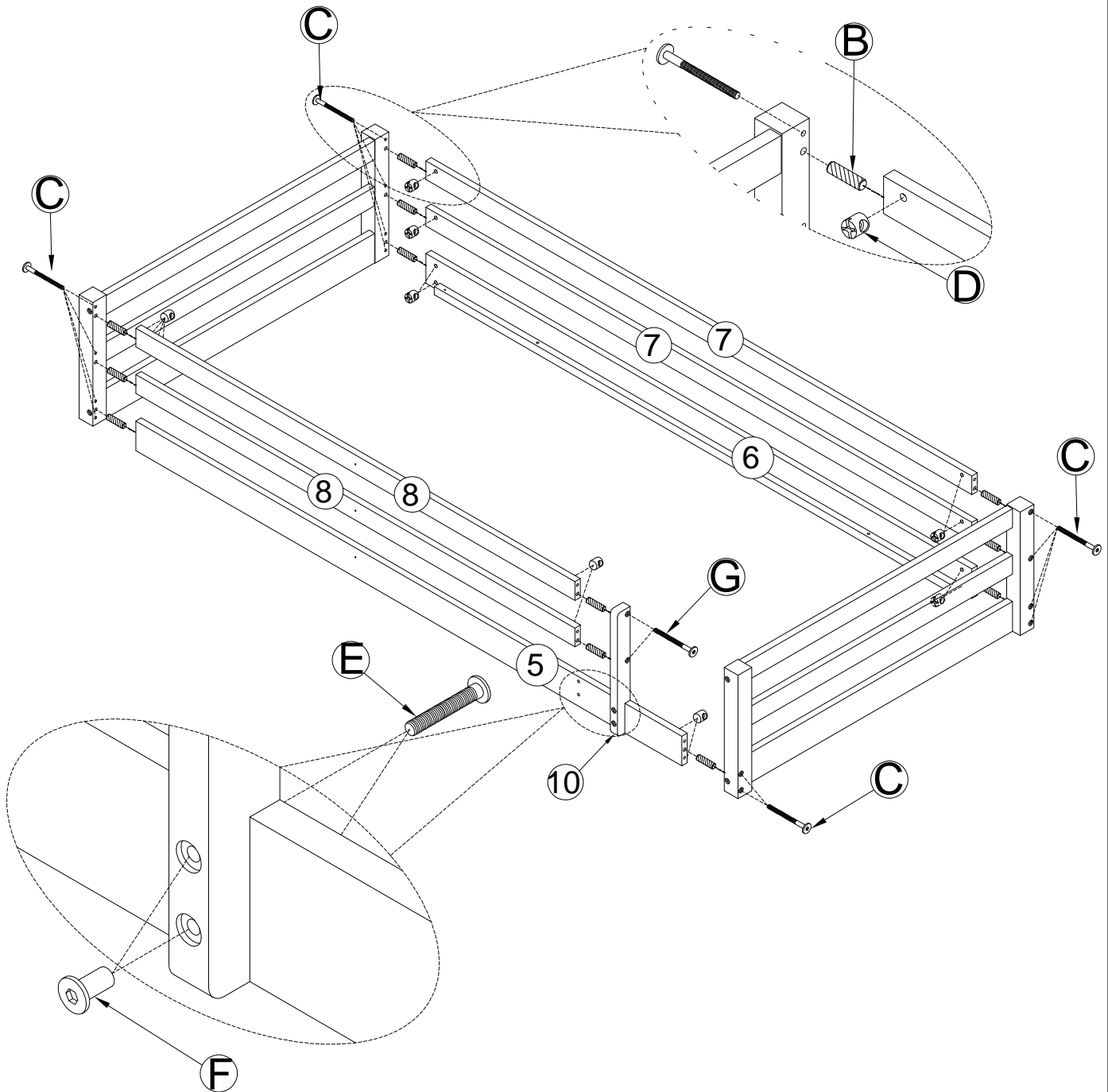
STEP 2: Following below illustration:

-Using HW C,D,E,F,G and dowel #B to Connect
Frame (Completed in step 1)

with 5,6 Side rails and 7(x2),8(x2) Guard rails
and 10 Rail

-Look at detail view for more detail

D		C		B	
	16pcs		14pcs		12pcs
G		E		F	
	2pcs		2pcs		2pcs



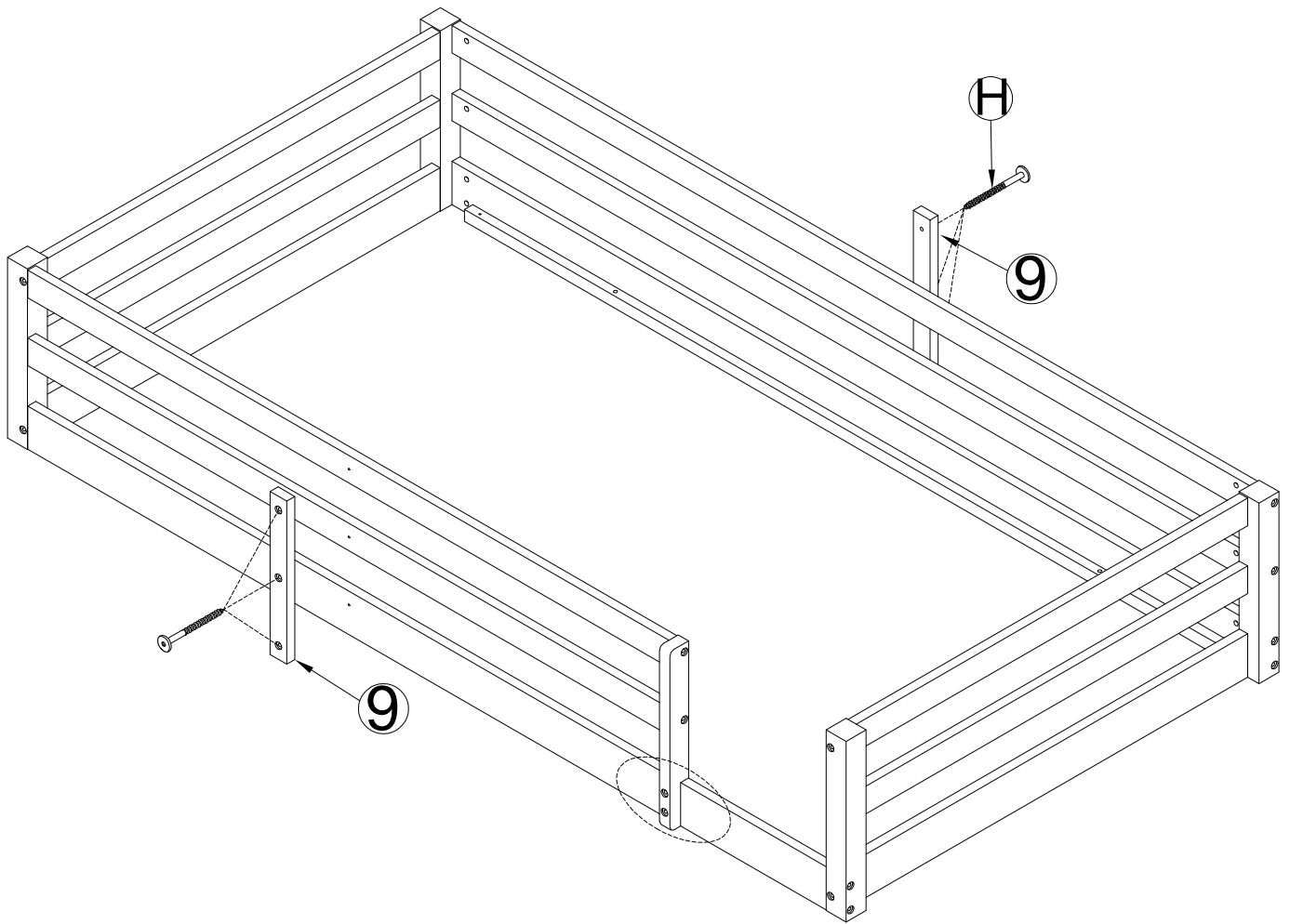
STEP 3: Following below illustration:

-Using HW # H to connect Frame (Completed in step 2) With 9(x2) Rails

H

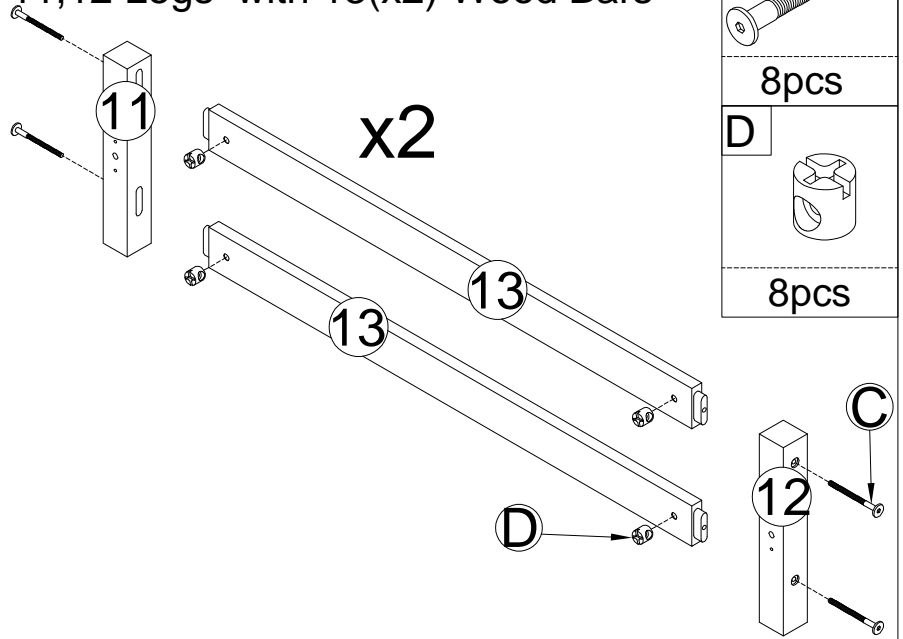


6pcs



STEP 4: Following below illustration:

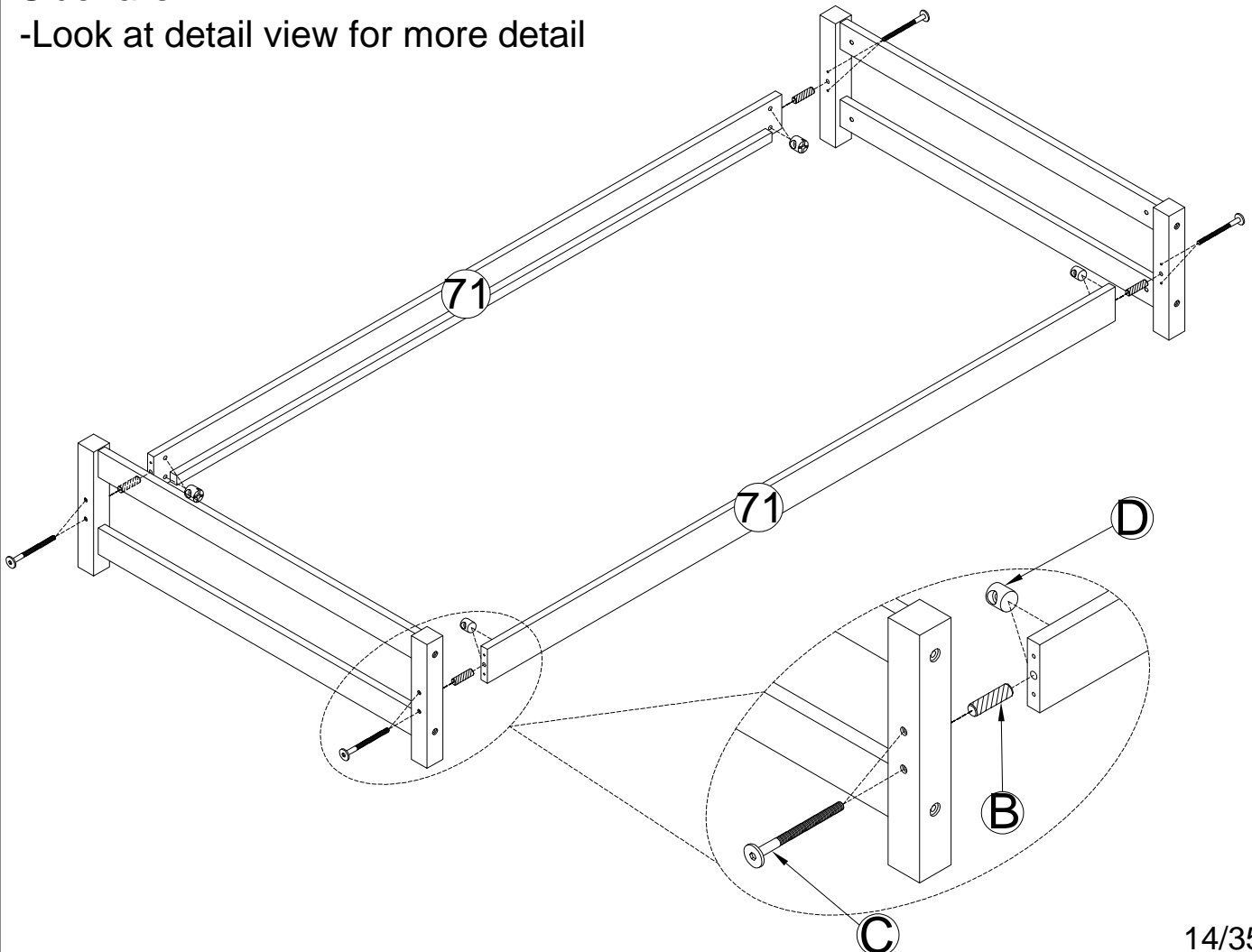
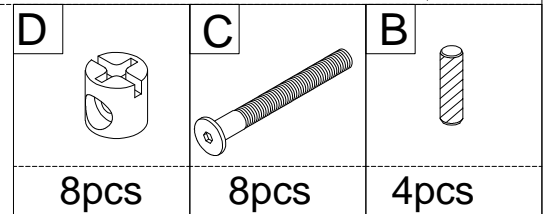
-Using HW #C,D to connect 11,12 Legs with 13(x2) Wood Bars



STEP 5: Following below illustration:

-Using HW C,D and dowel #B to Connect Frame (Completed in step 4) with 71(X2) Side rails

-Look at detail view for more detail

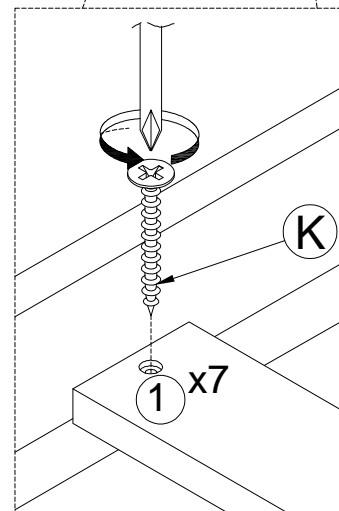
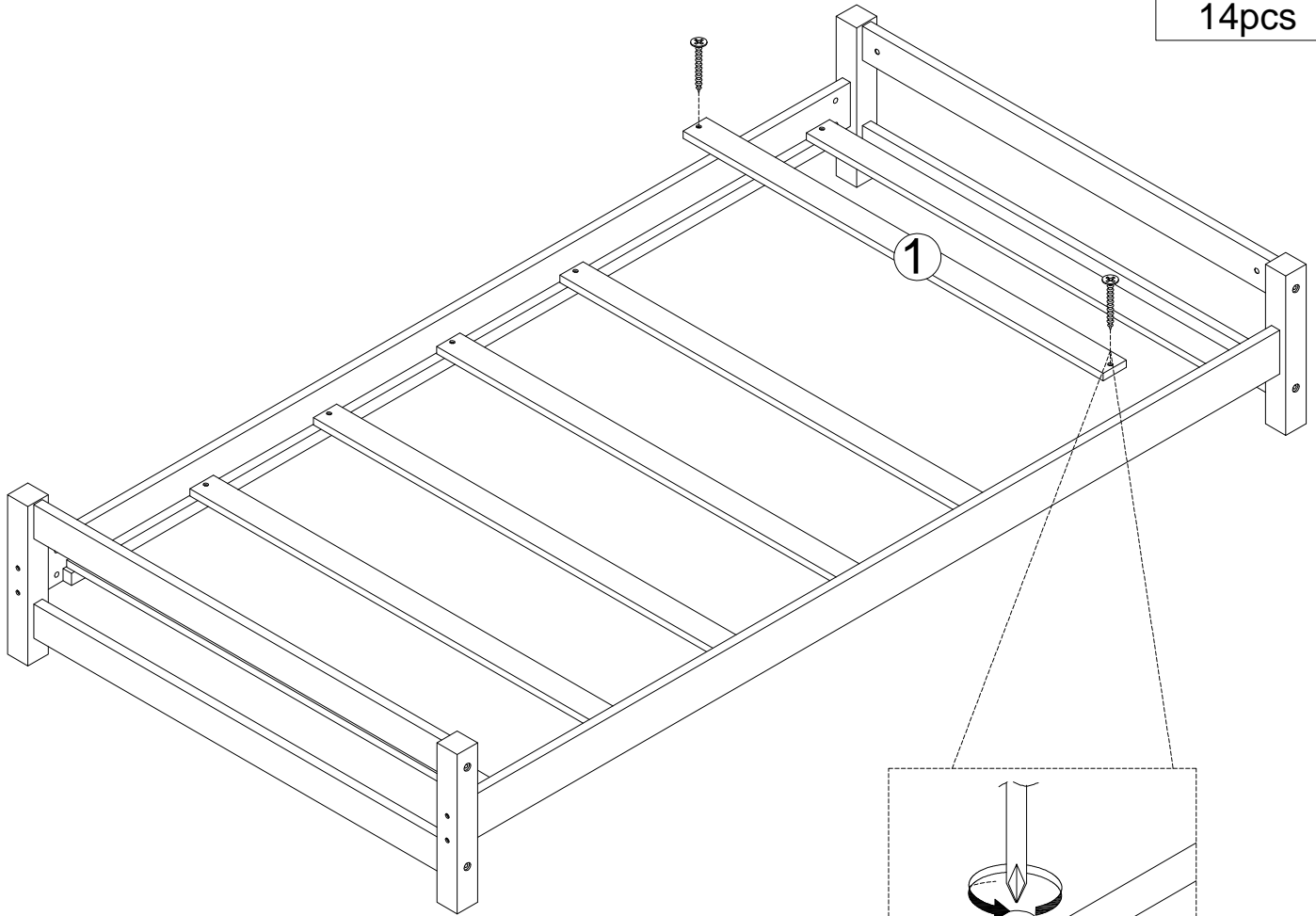


STEP 6: Following below illustration:

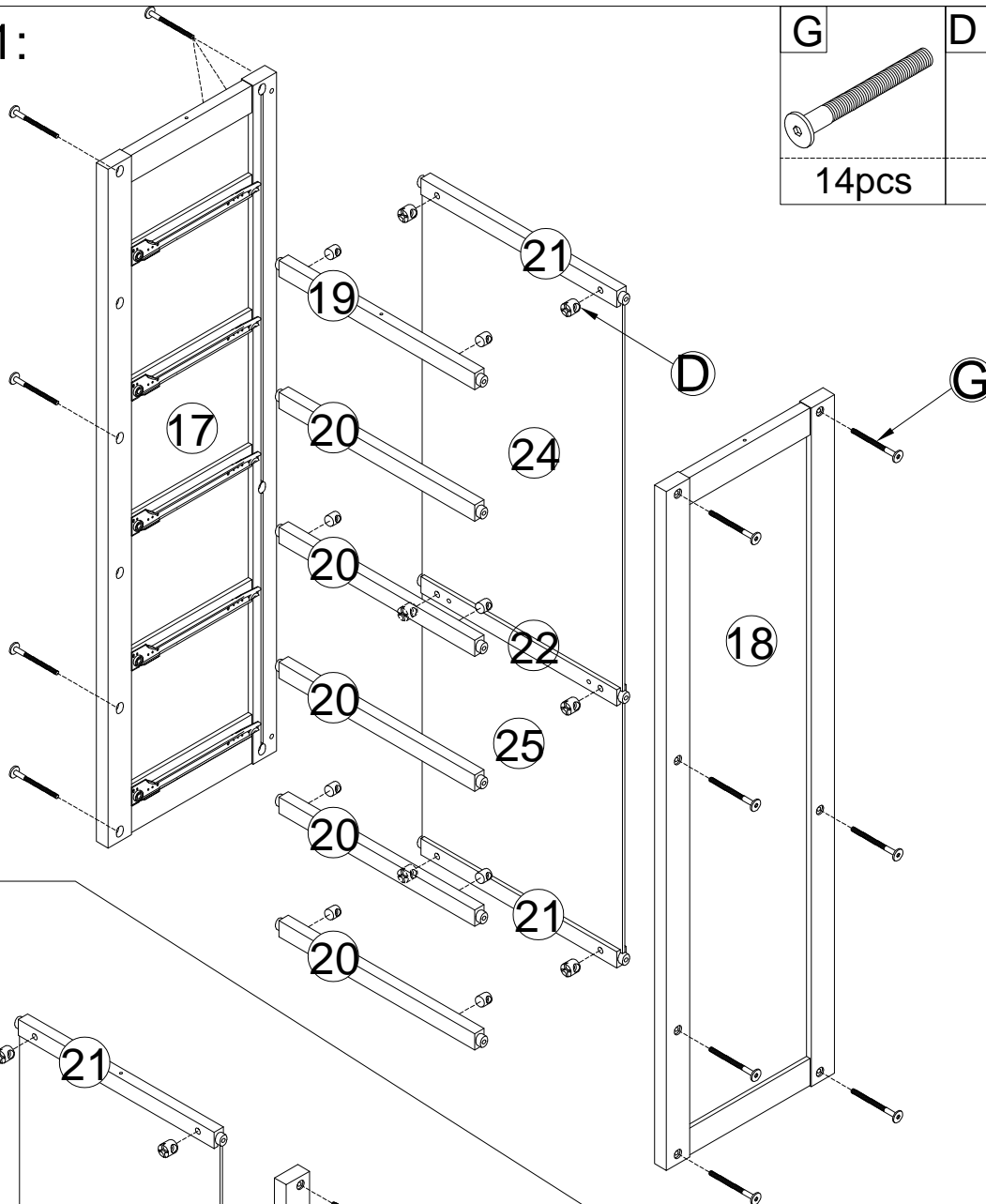
K

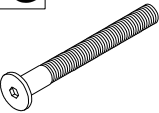
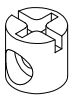


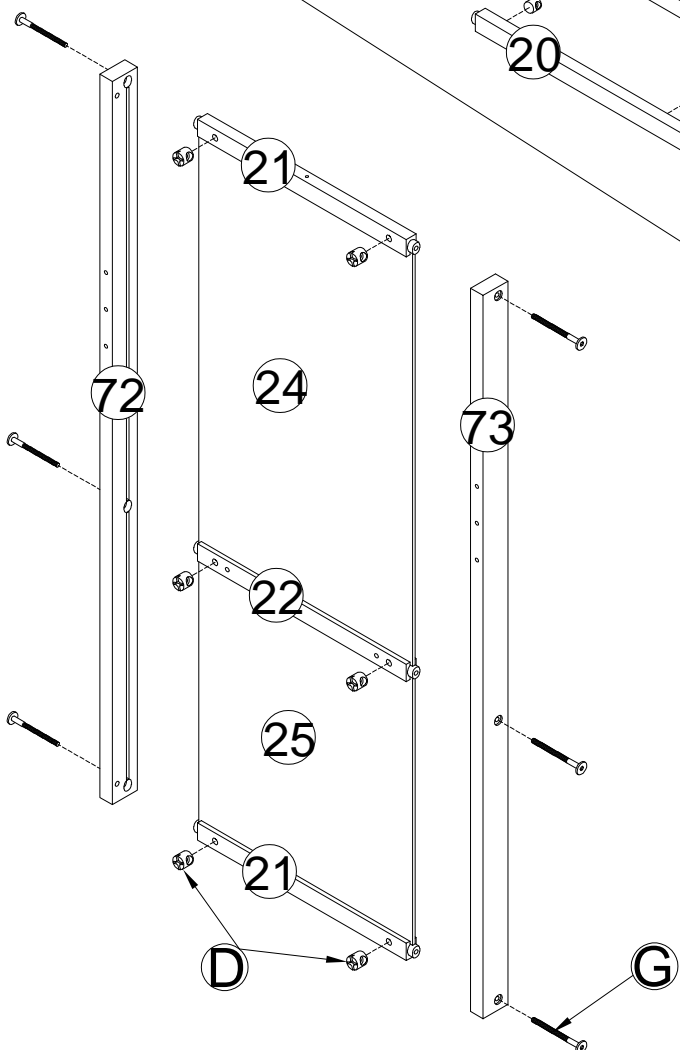
14pcs

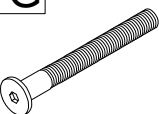
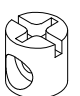


STEP 7-1:



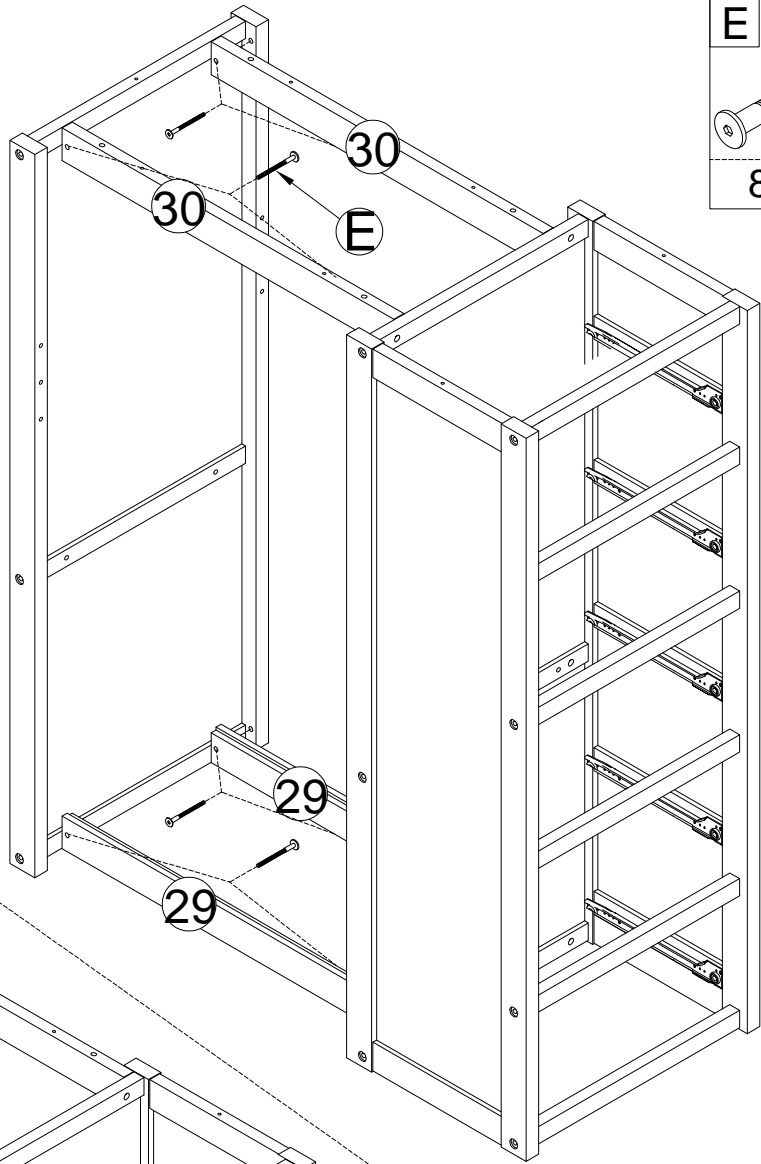
G		D	
14pcs		14pcs	

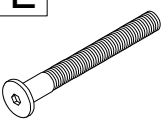


G		D	
6pcs		6pcs	

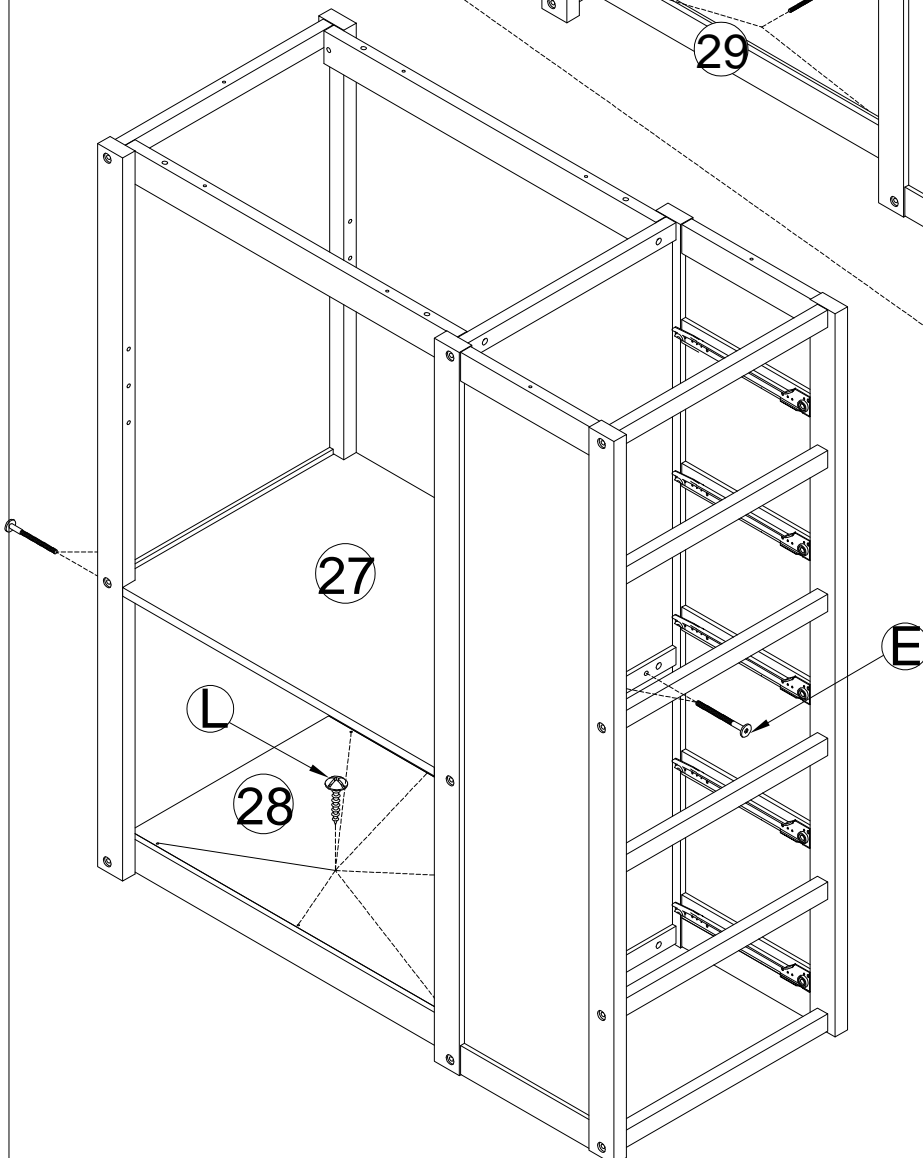
STEP 7-2:

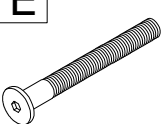
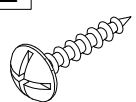
STEP 7-3:



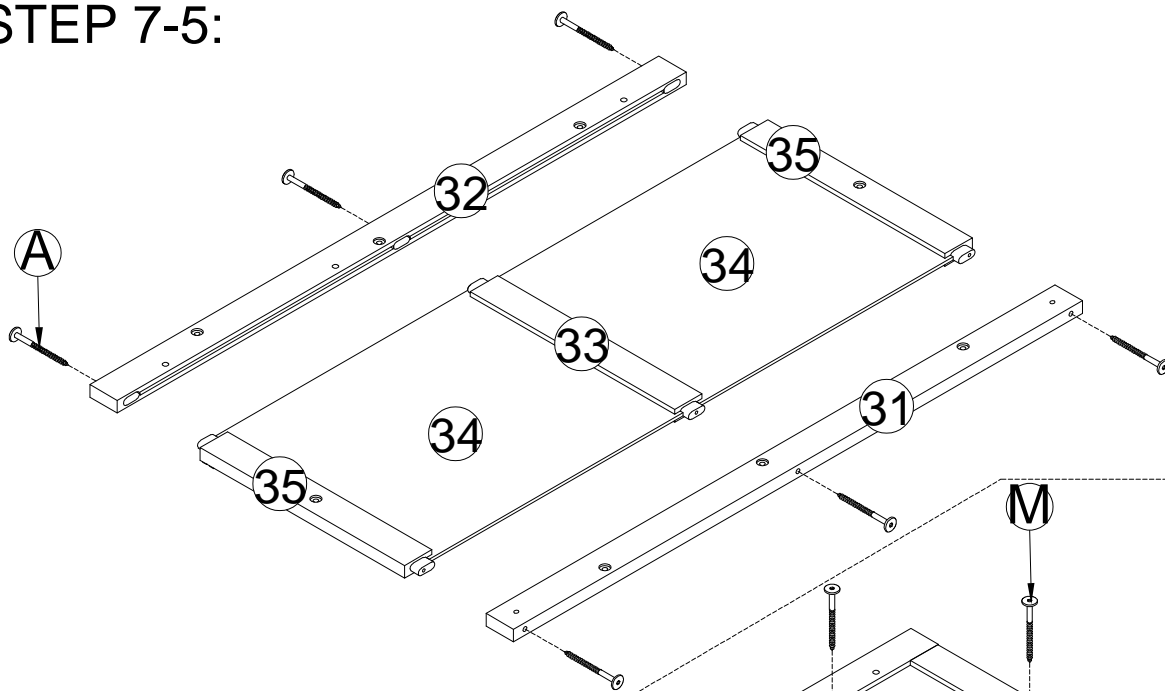
E	
8pcs	


STEP 7-4:




E	
4pcs	
L	
6pcs	

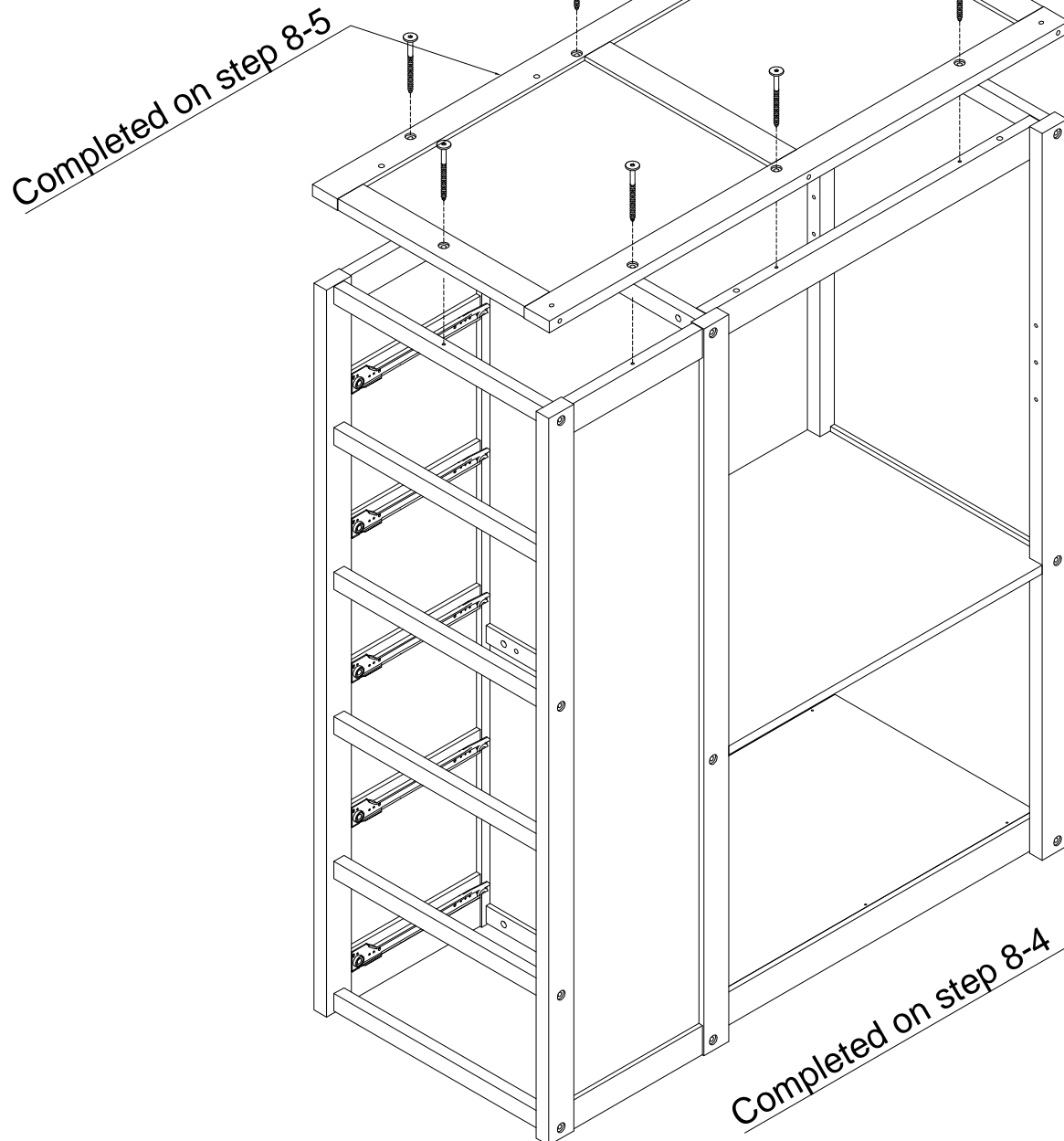
STEP 7-5:



A

6pcs

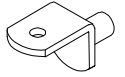
M

8pcs

STEP 7-6:

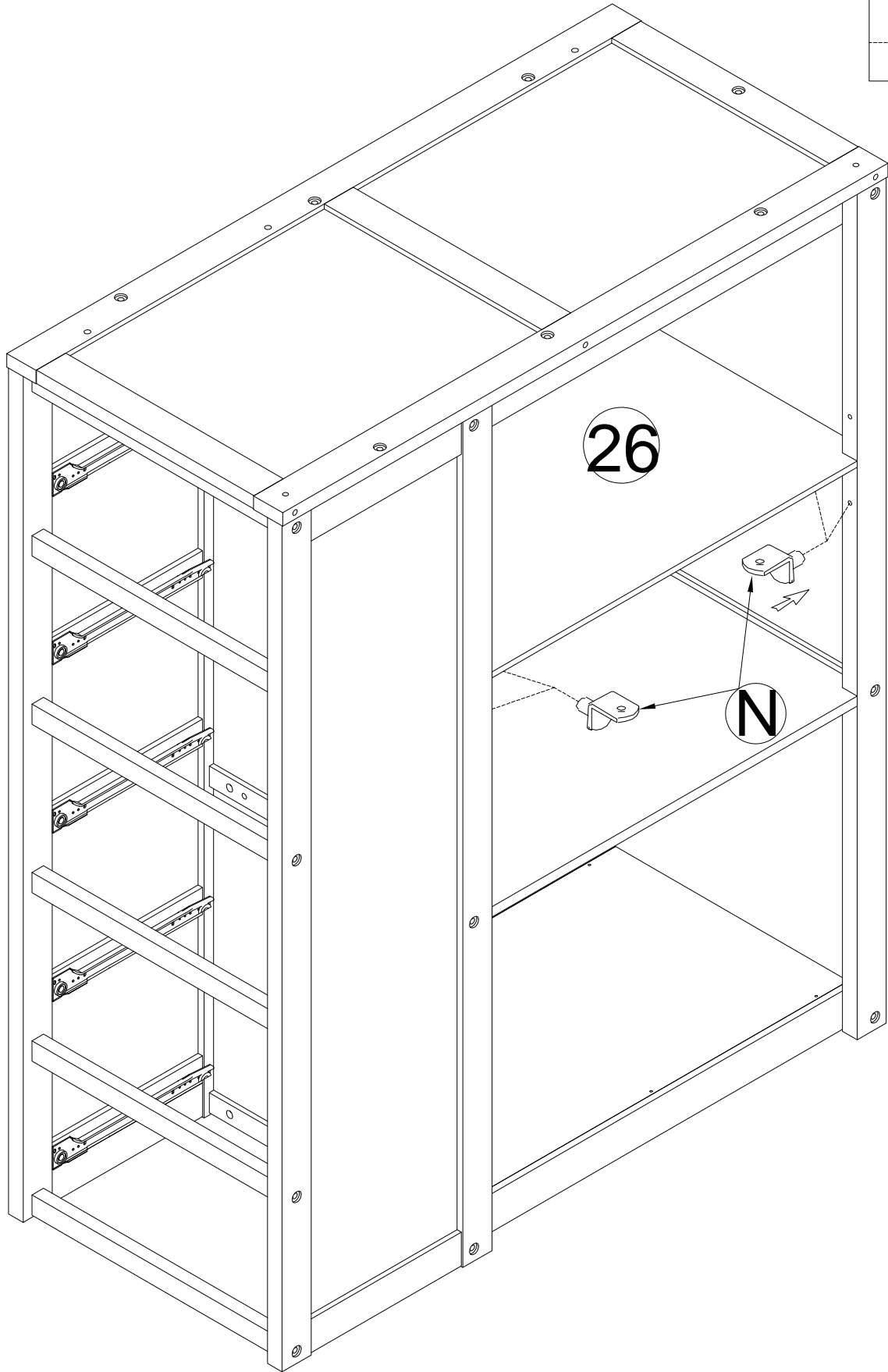


STEP 7-7:

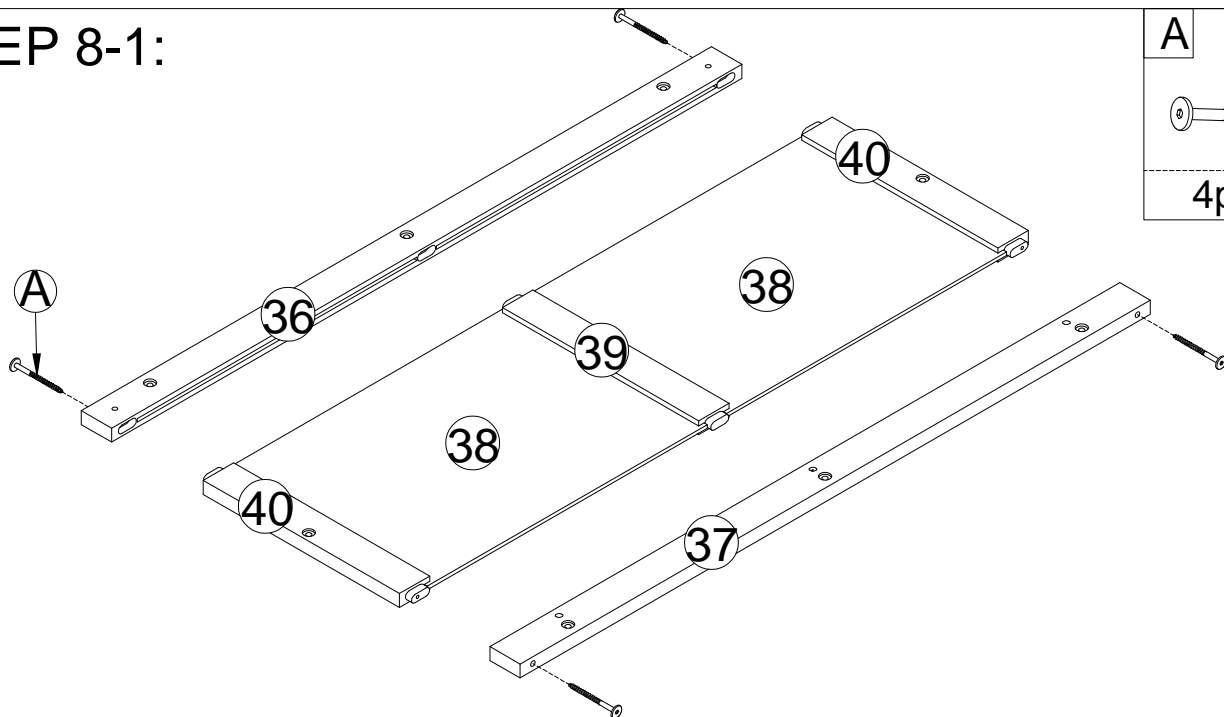
N




4pcs

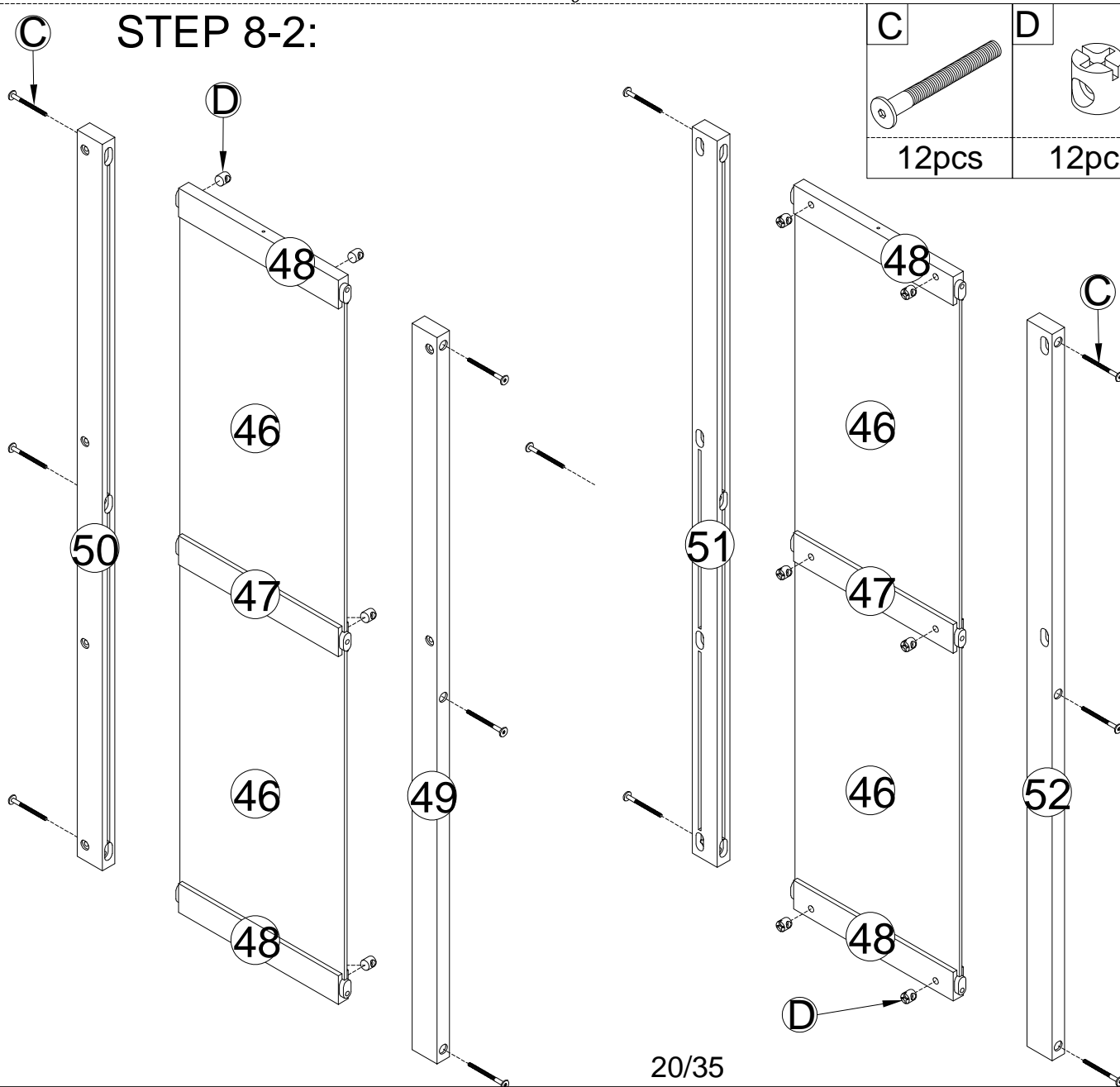


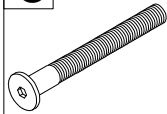
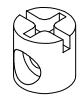
STEP 8-1:



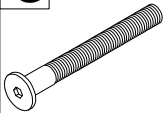
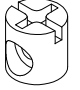
A

4pcs

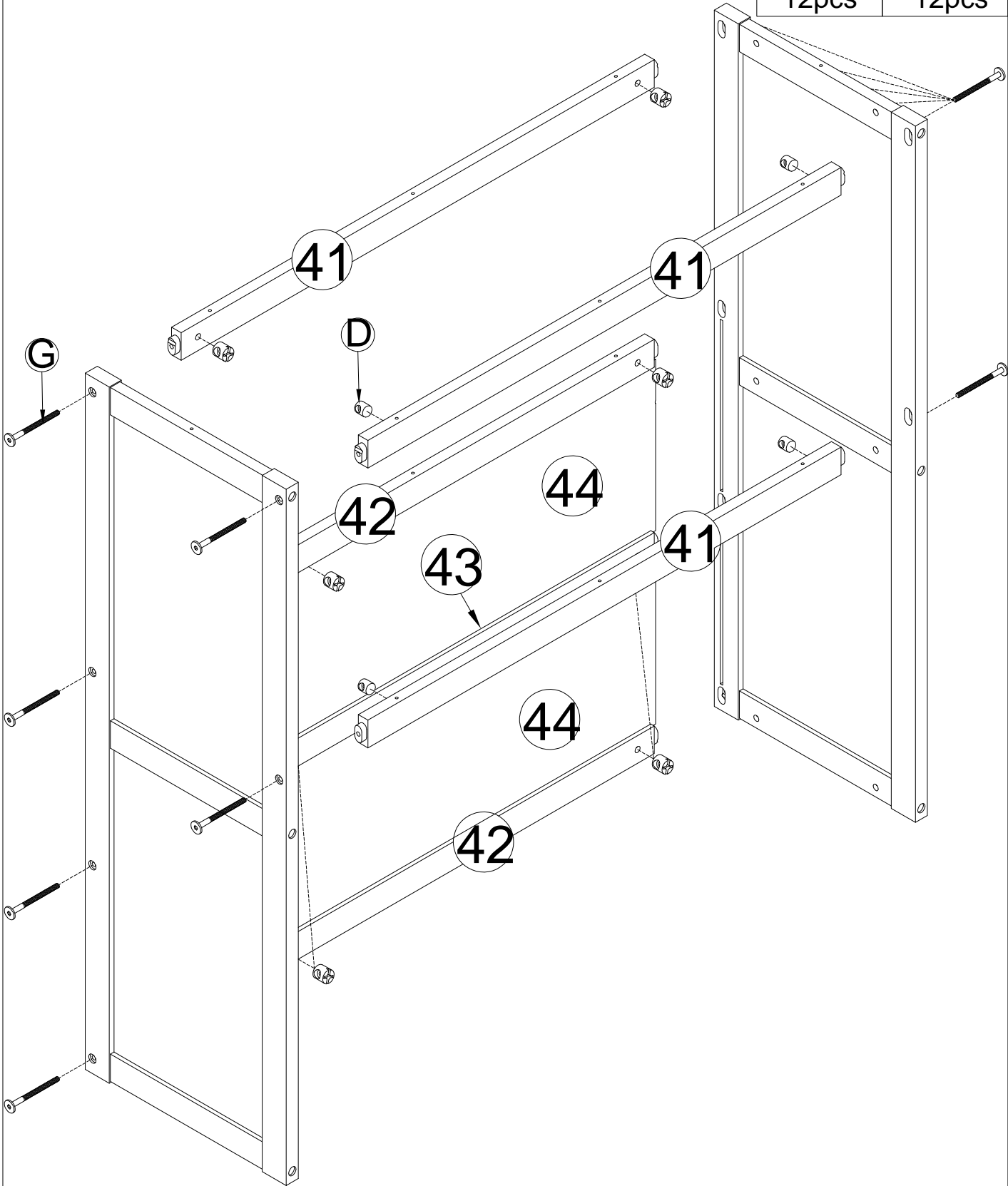
STEP 8-2:




C	D
	
12pcs	12pcs

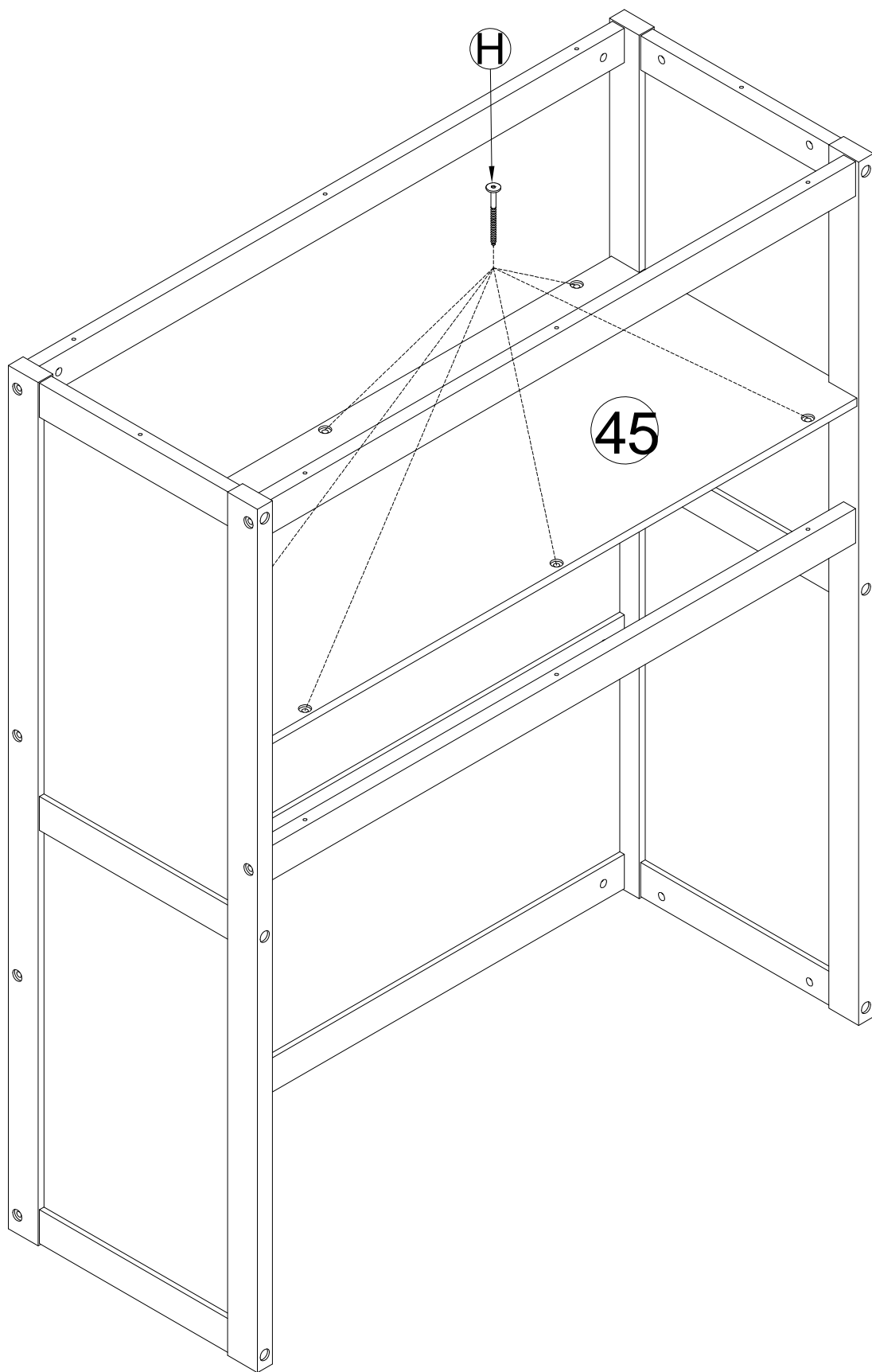
STEP 8-3:

G	D
	
12pcs	12pcs



STEP 8-4:

H

6pcs

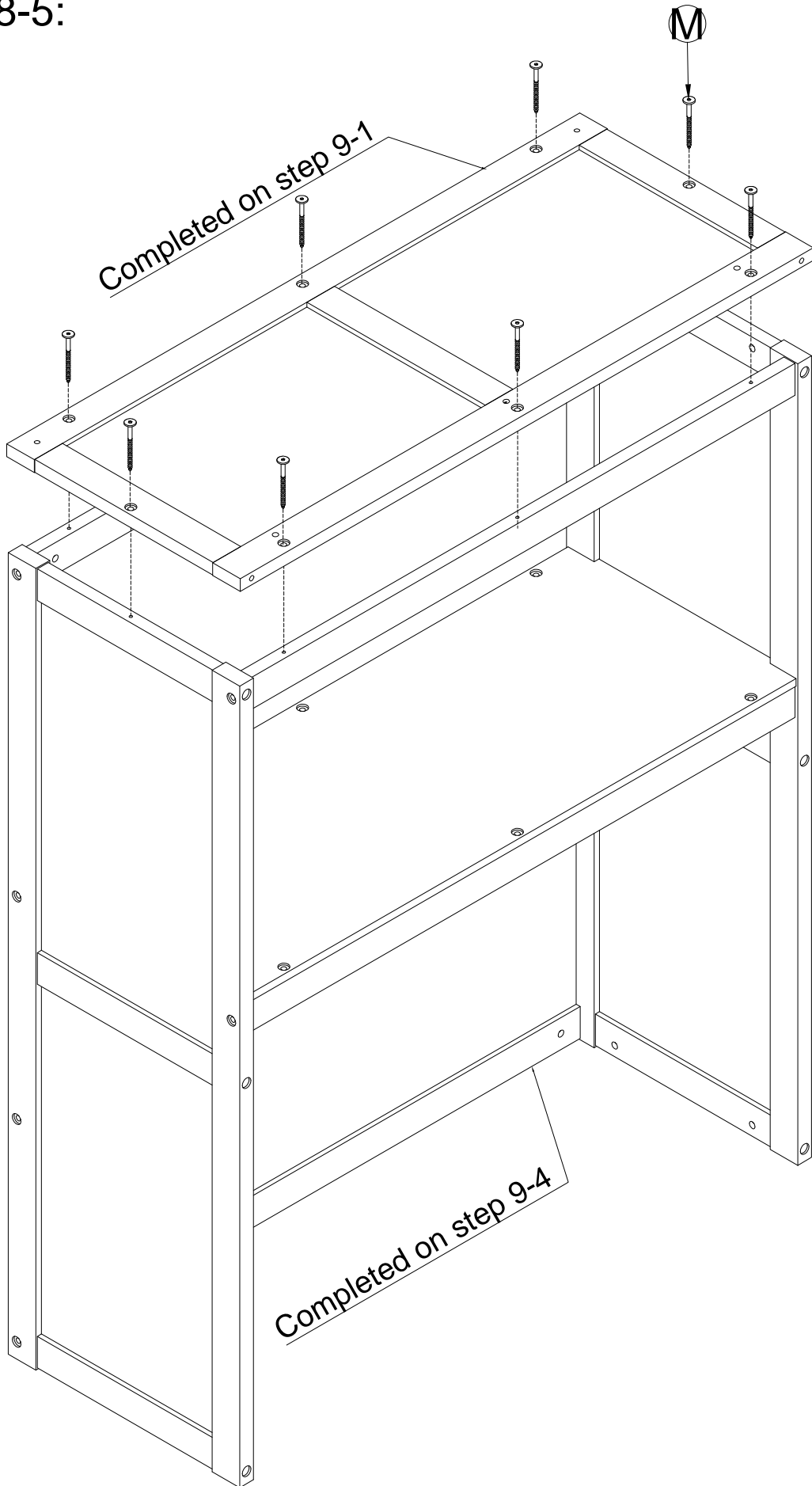


STEP 8-5:

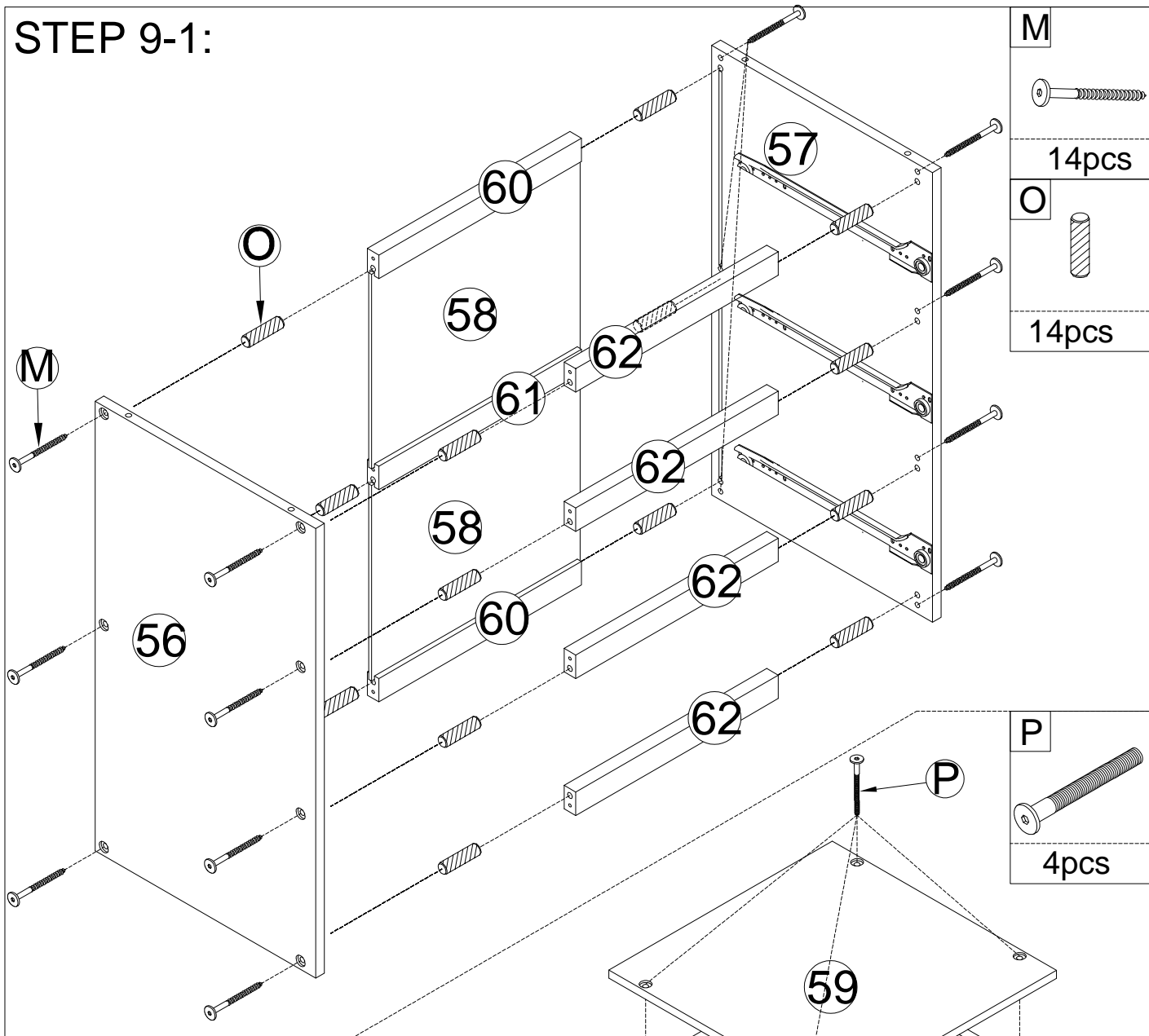
M



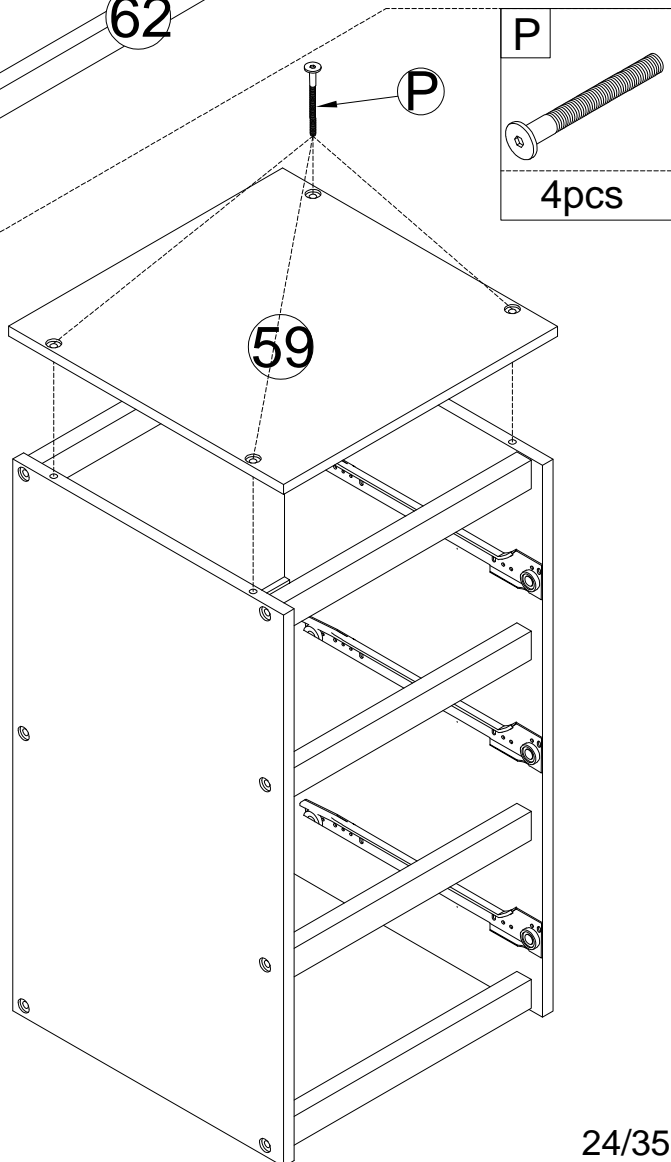
8pcs



STEP 9-1:


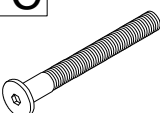


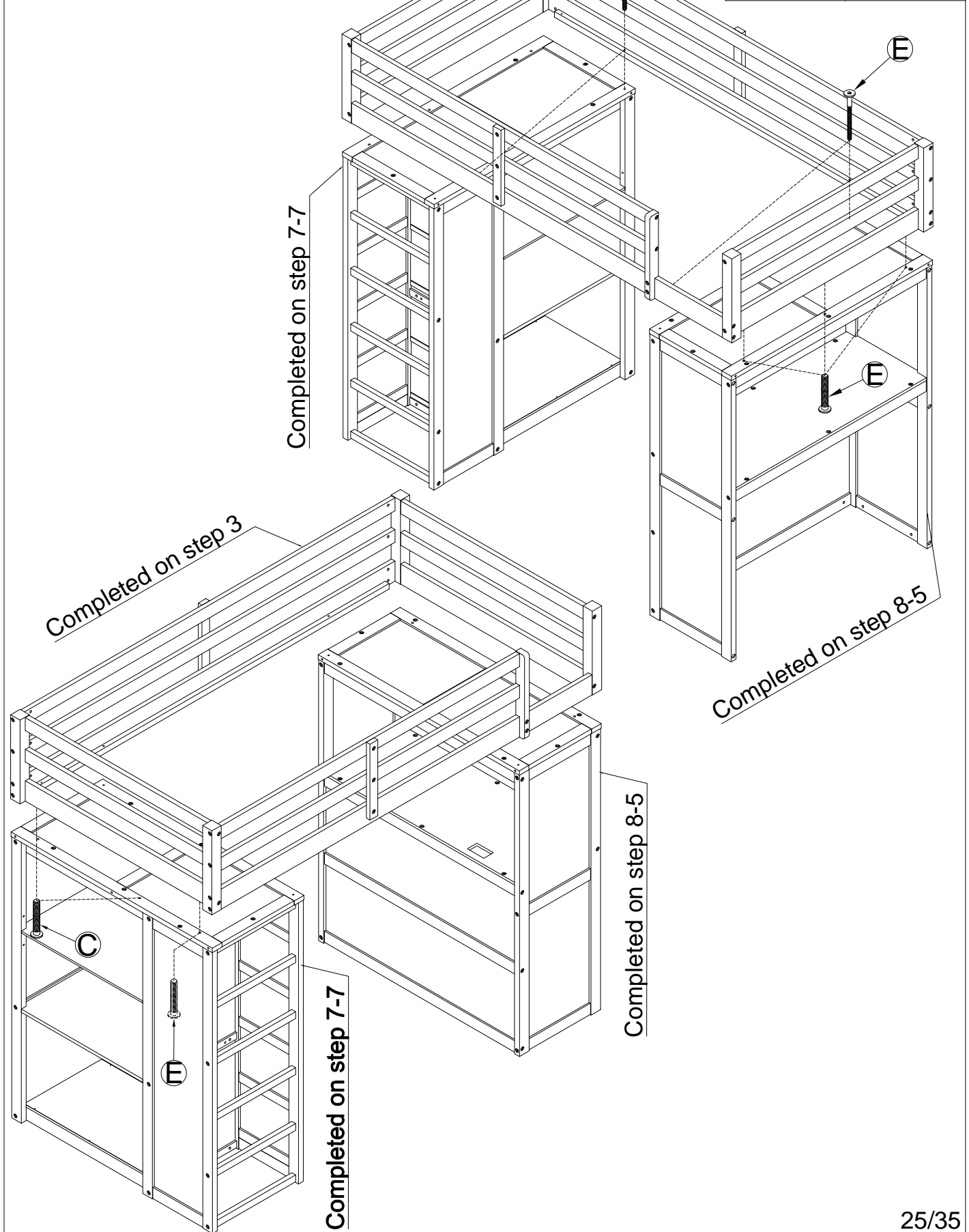
STEP 9-2:



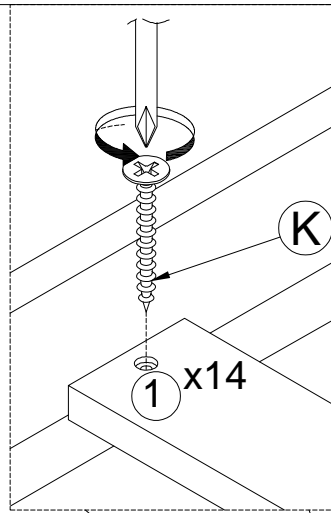
STEP 10: Following below illustration:

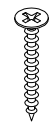
- Using HW C,E to Connctc Frames (Completed in step 7-7 ,Step 8-5) with Frame (Completed in step 3)
- Look at detail view for more detail

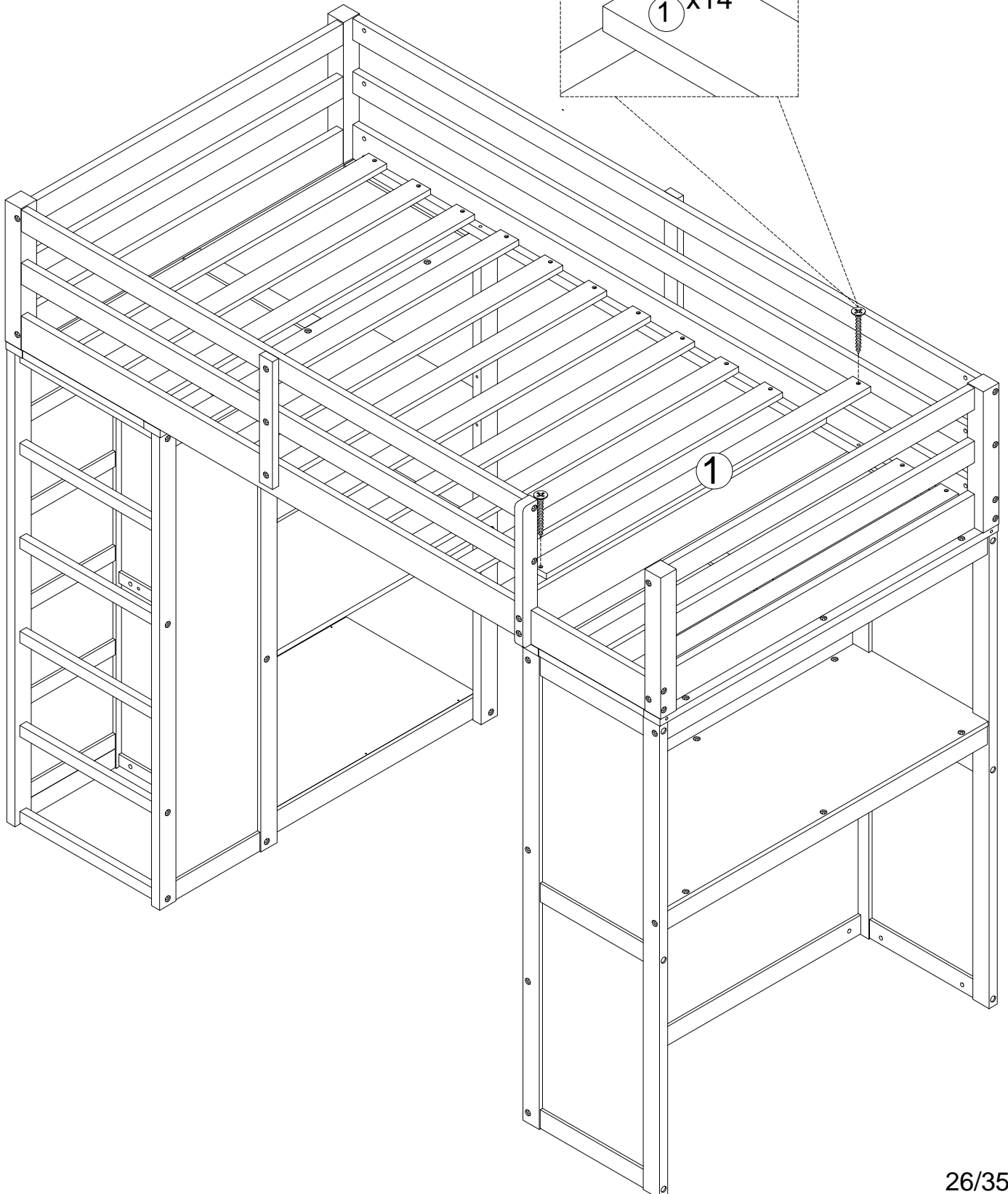
E 	C 
8pcs	2pcs



STEP 11: Following below illustration:



K	
28pcs	



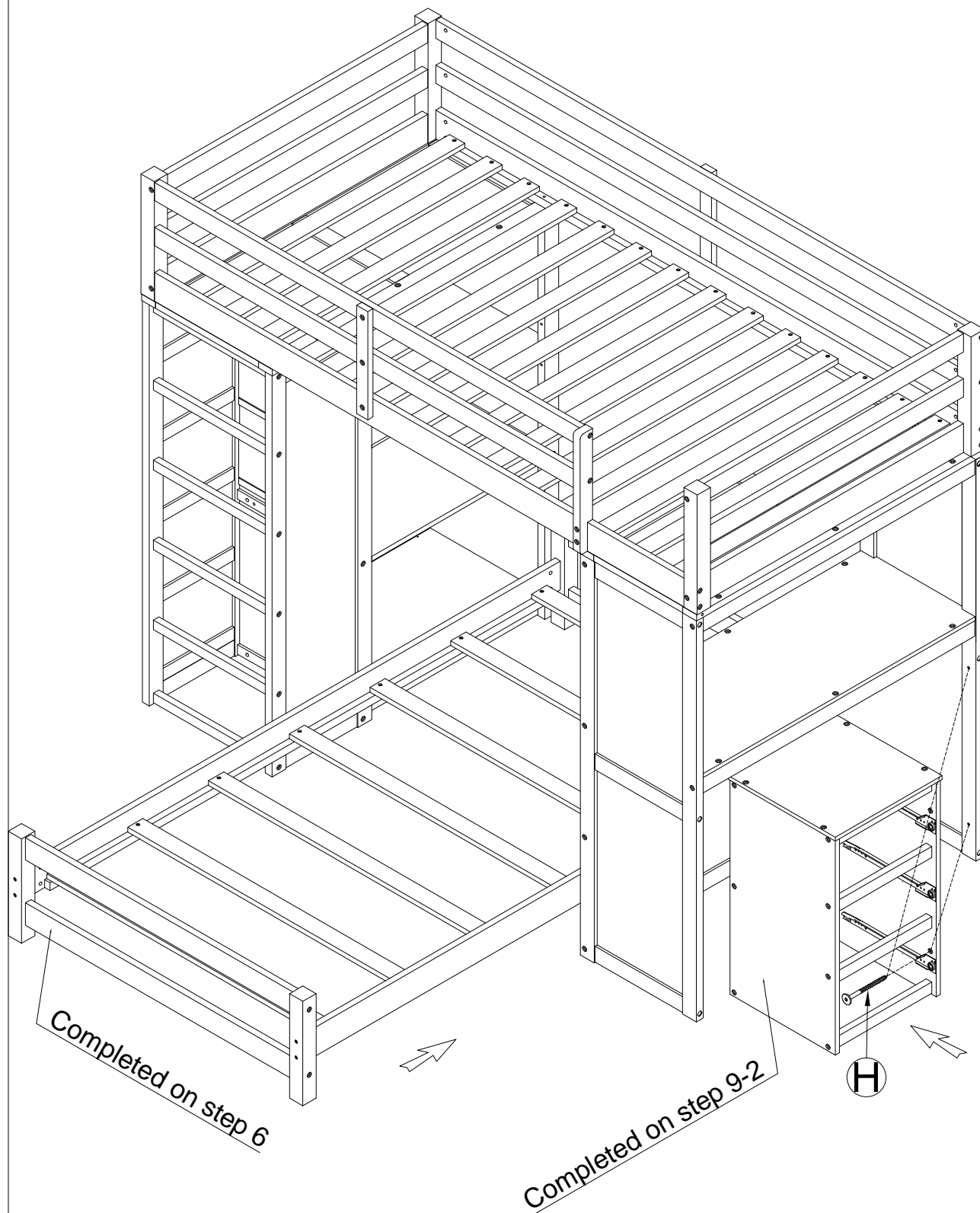
STEP 12:

Push Lower Bed (completed in step 6) ,Chest(completed in step 9-2) into position and Using HW #H to connect Chest(completed in step 9-2) With Bed

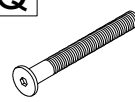

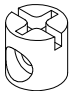
H

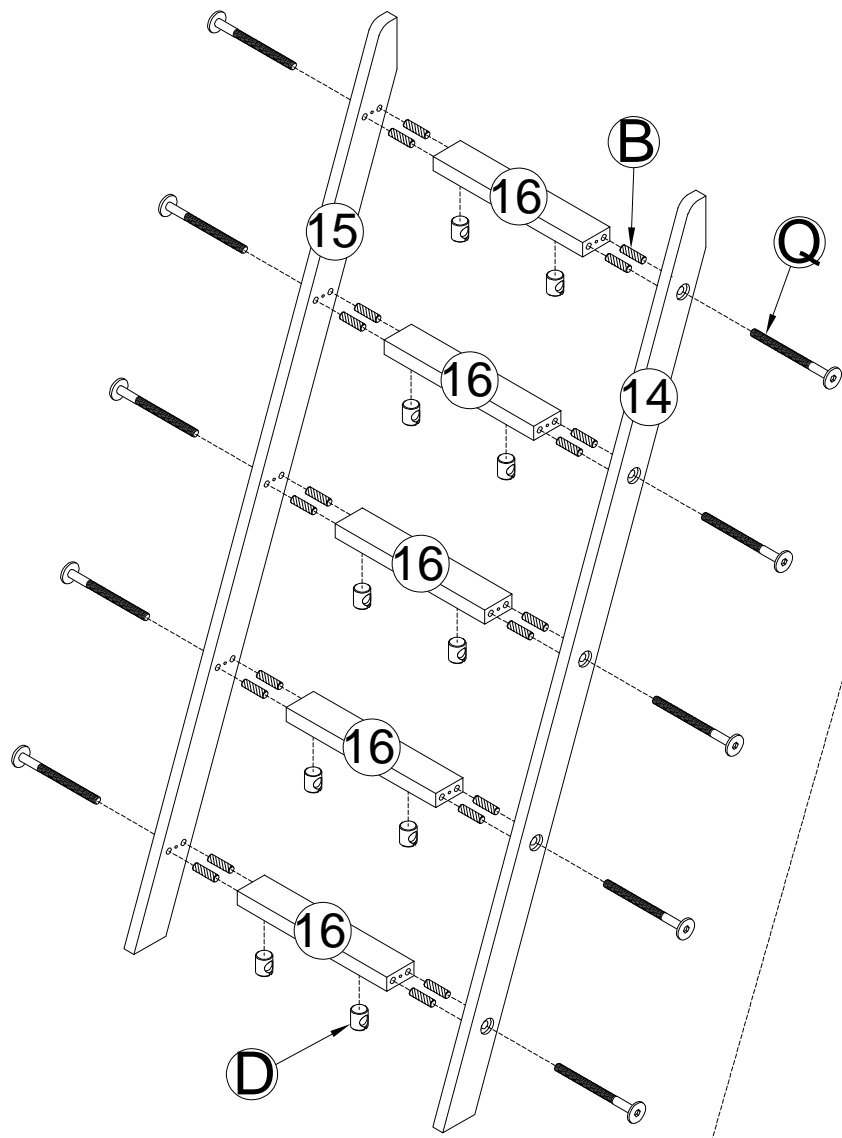


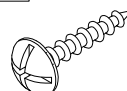
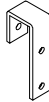
2pcs

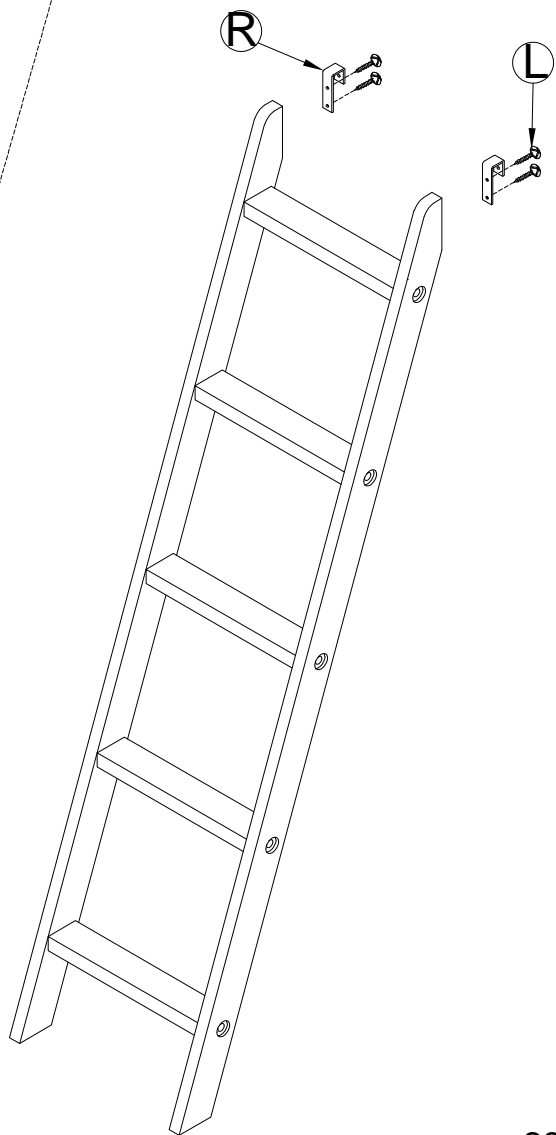


STEP 13-1:

Q  10pcs	B  20pcs
D  10pcs	



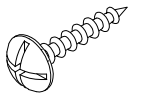
L  4pcs	R  2pcs
---	---



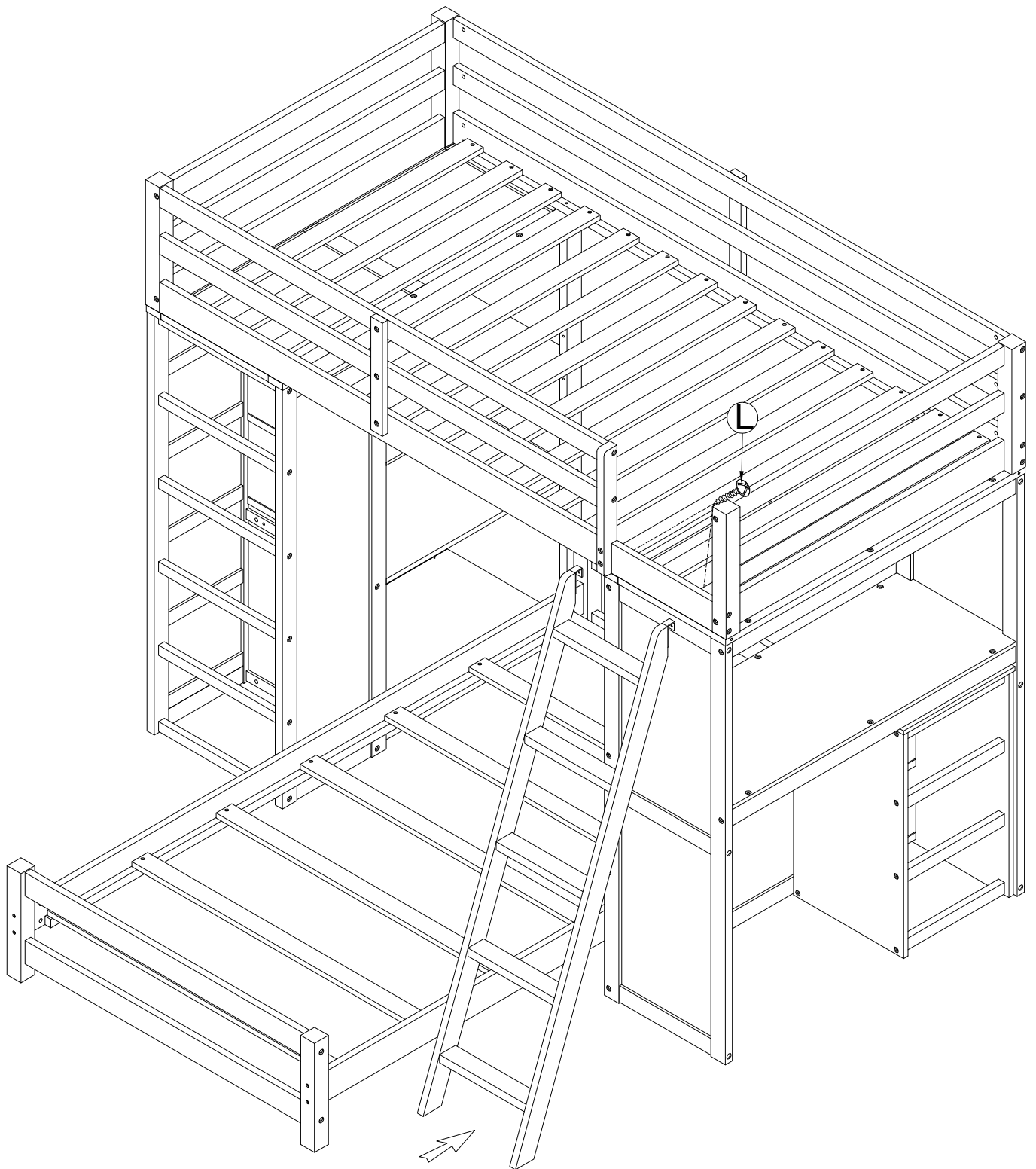
STEP 13-2:

STEP 13-3:

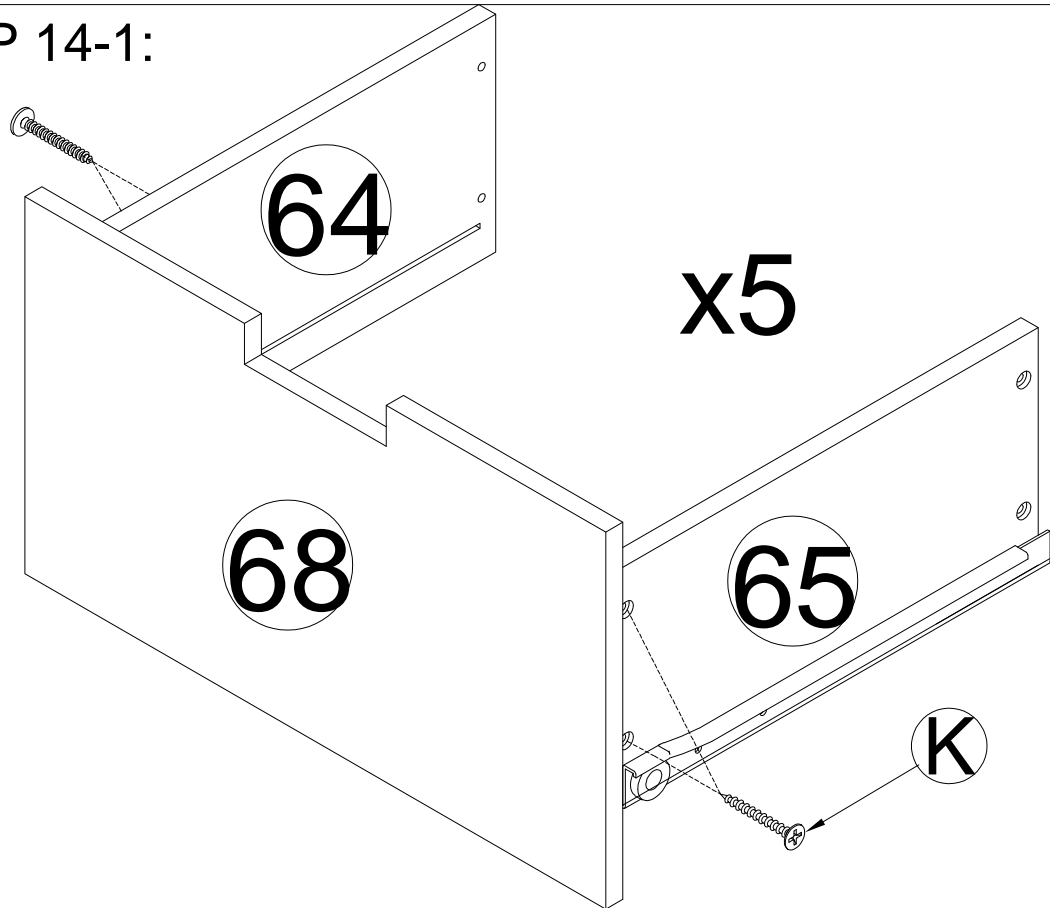
L



2pcs



STEP 14-1:

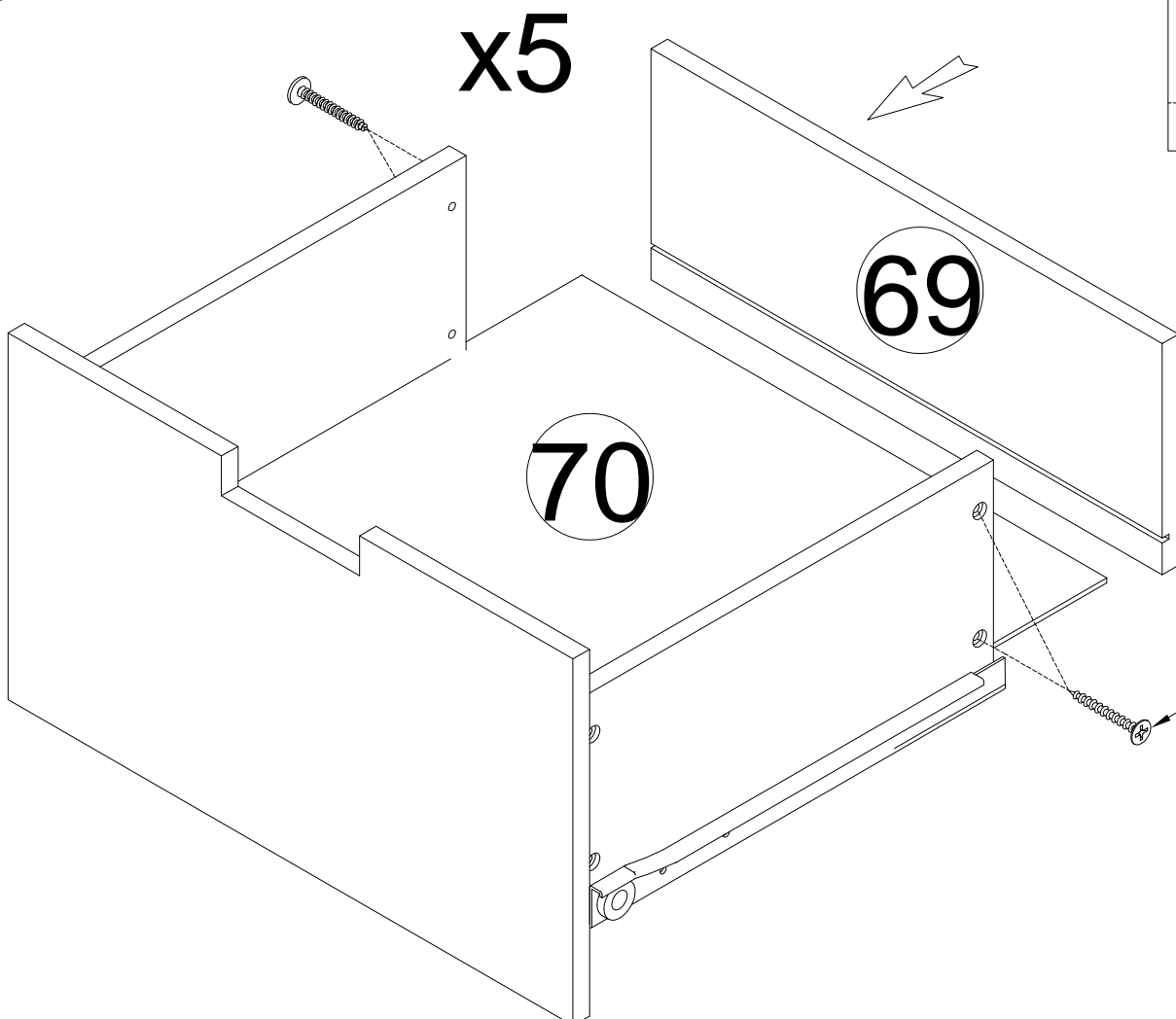


K

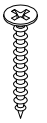


5x4pcs

STEP 14-2:

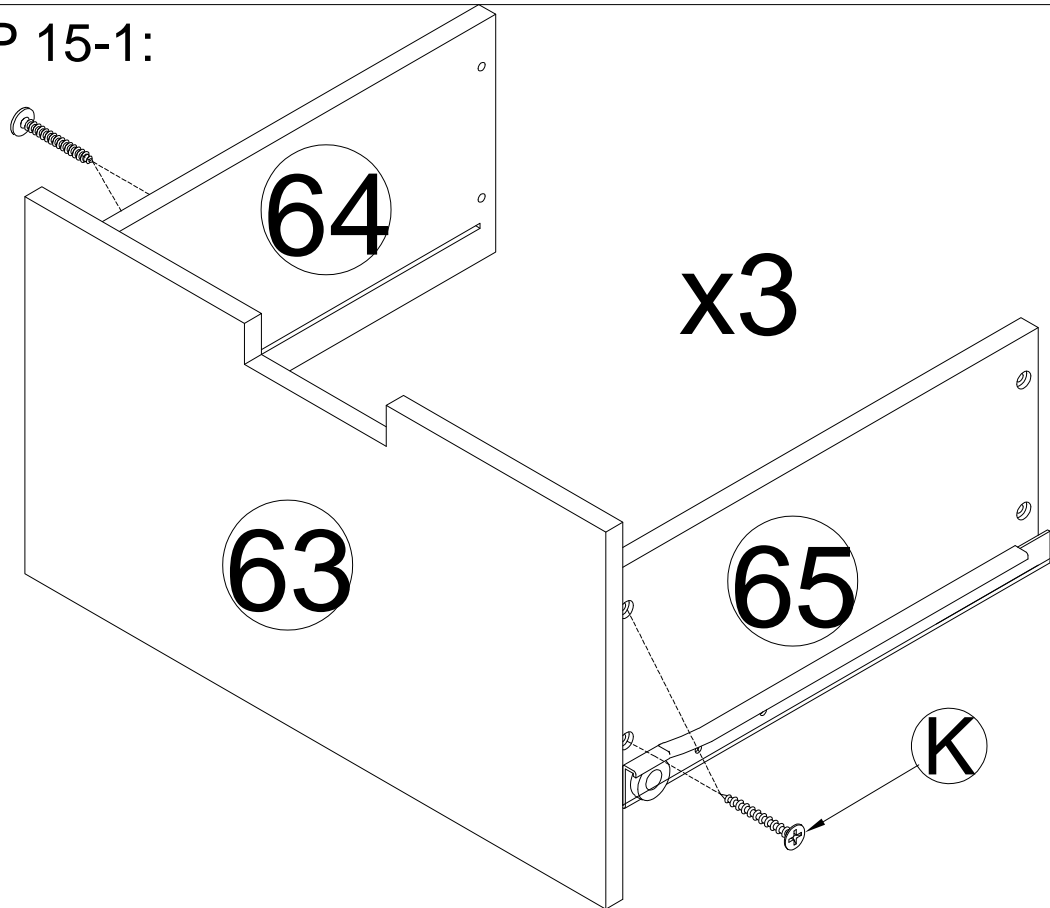


K



5x4pcs

STEP 15-1:



K



3x4pcs

x3

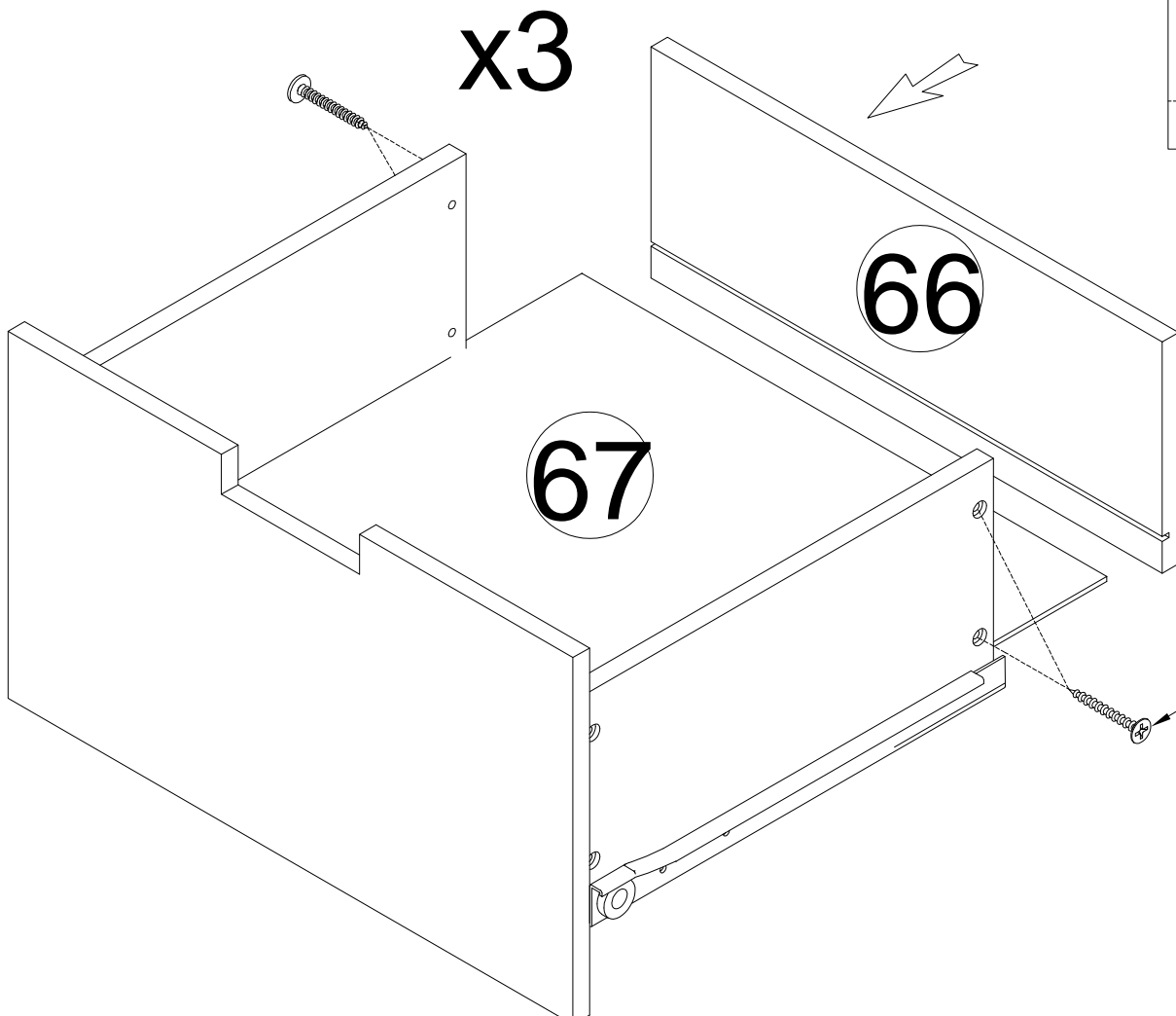
63

64

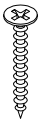
65

K

STEP 15-2:



K



3x4pcs

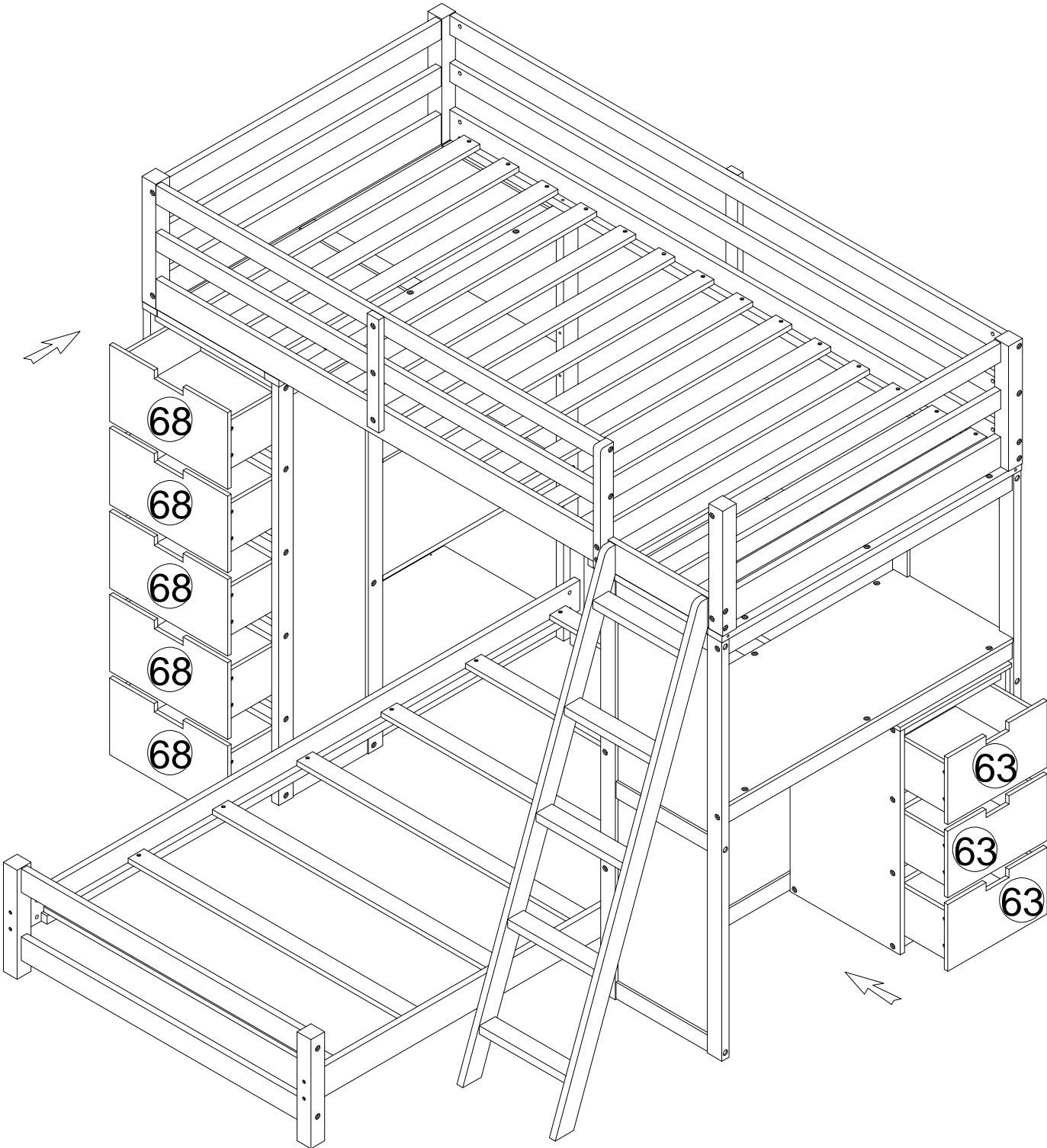
x3

66

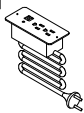

67

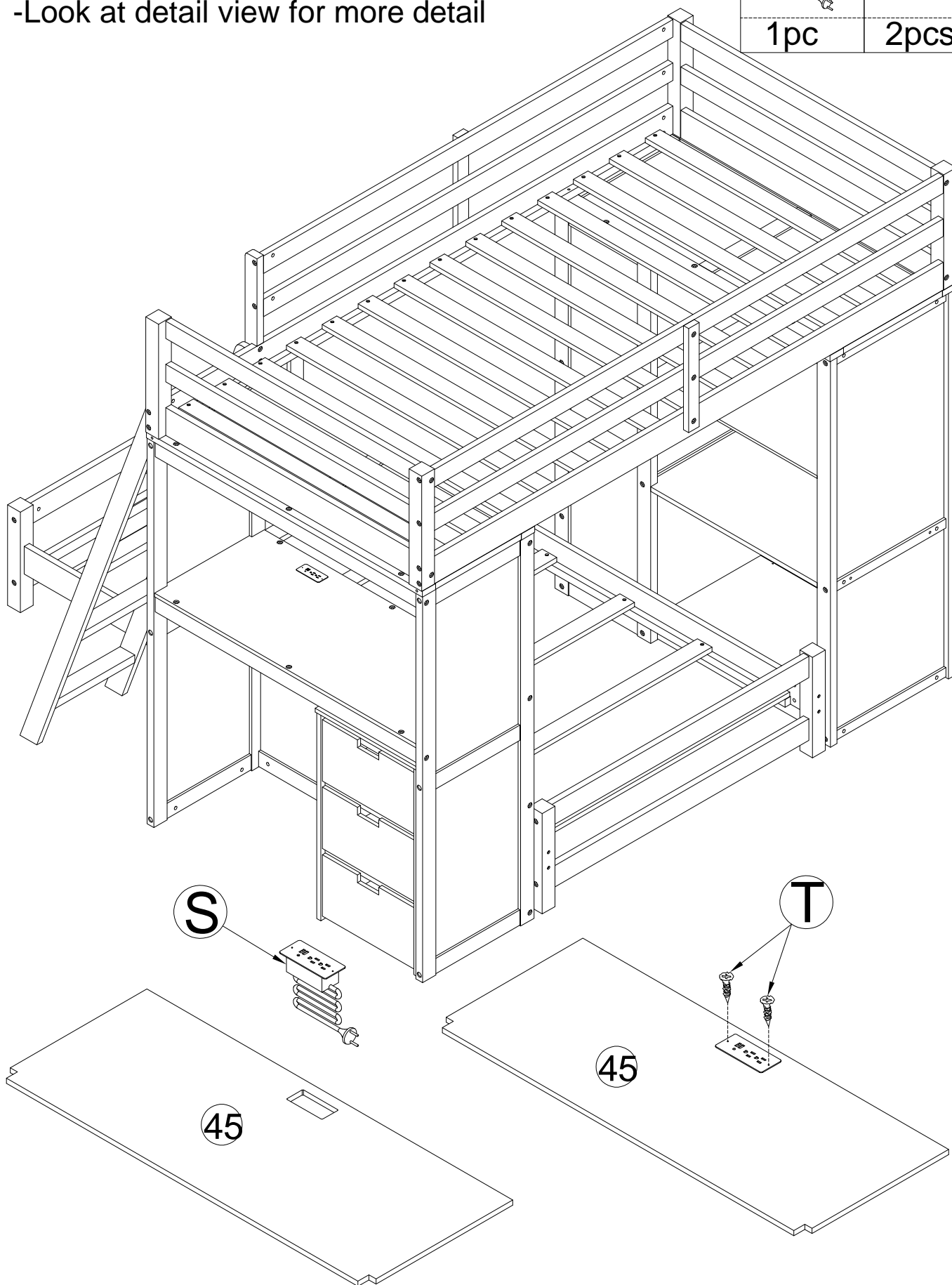
K

STEP 16: Push 8 Drawers into position



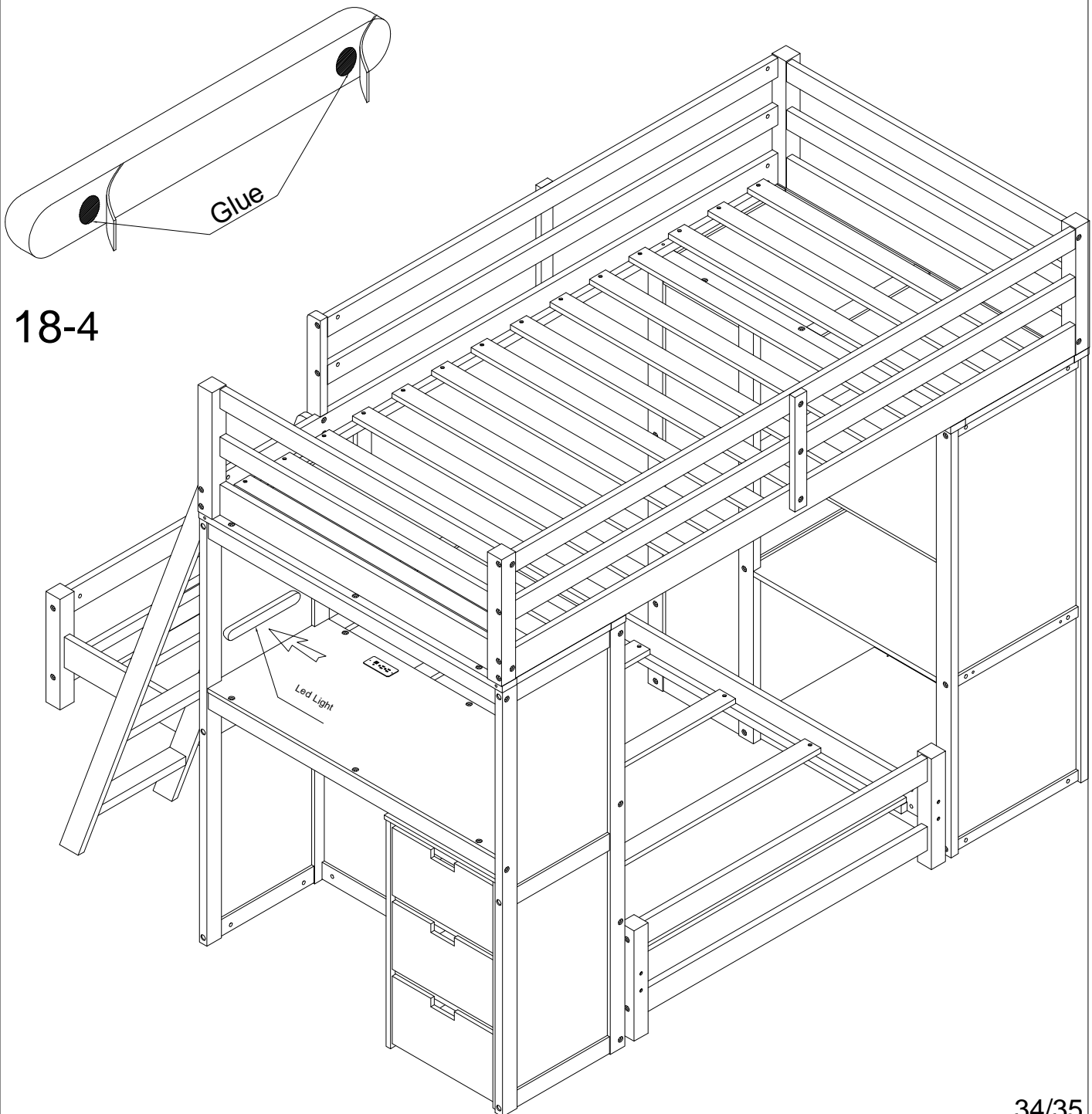
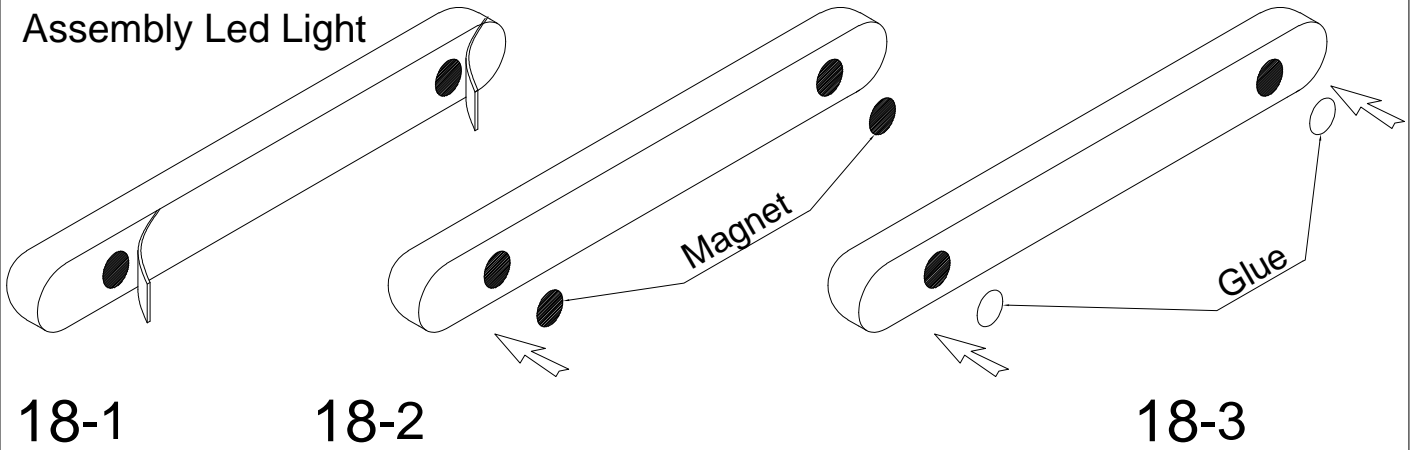
STEP 17: Following below illustration
-Using HW #T connect USB(S) with Bed
-Look at detail view for more detail

S 	T 
1pc	2pcs



STEP 18: Following below illustration assembly Chair

Assembly Led Light



CONGRARULATION. YOU HAVE COMPLETED THE BED

