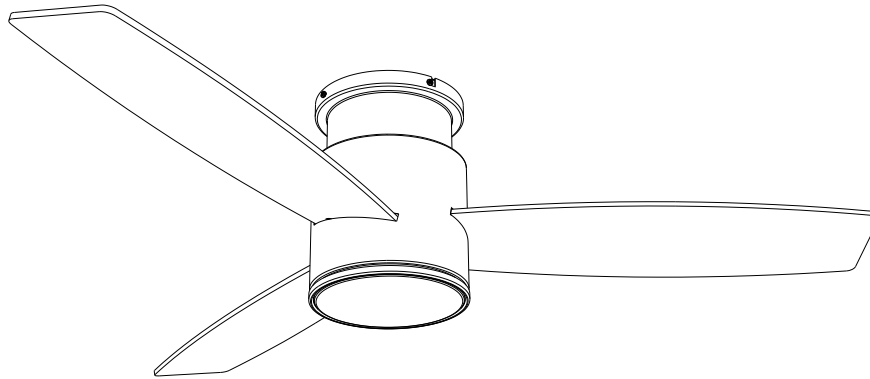


Installation Instruction

Luxury Decorative Ceiling Fan



PLEASE READ AND SAVE THESE INSTRUCTIONS

Dear Customer,

Thanks for your purchase!

Should you have any questions or concerns, please do not hesitate to contact us

I、Precautions

Before using this ceiling fan with light, please read this manual carefully and operate strictly in accordance with the procedures.

- 1 The input voltage of this product: 120V/60Hz
- 2 If you have insufficient knowledge of electrical appliances, be sure to hire an experienced expert to install them.
- 3 Before installing and disassembling the ceiling fan light, please turn off the power first. The installation must be installed in the order of ground wire, live wire, and neutral wire. Before disassembly, it must be disassembled in the order of neutral wire, live wire and ground wire to avoid electric shock.
- 4 The ceiling fan must be installed on a solid ceiling, and the location of the ceiling fan must be able to withstand a gravity greater than 60 KG.
- 5 When installing the ceiling fan, all screws must be securely locked.
- 6 When the ceiling fan is rotating, no objects should touch the blades to avoid danger.
- 7 The angle and elevation of the leaf frame are determined after many repeated measurements, so it cannot be changed at will. When installing the leaf frame and blades, special care should be taken not to force collisions. If the angle and elevation angle of the leaf frame are deformed that will cause the ceiling fan to shake.

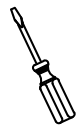
II、Prepare tools before installation:



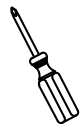
Electrical Adhesive tape



14 open spanner



Slotted Screwdriver



Phillips screwdriver



Telescoping ladder



Pliers

1

III、Basic parameters

- 1 Voltage: 120V/60Hz
- 2 Power: Motor power: 36W
- 3 Speed + Color change: 6speed+3 color temperatures
- 4 Number of rotating leaves: 3 blades
- 5 Fan blade material: Plywood
- 6 Motor material: Pure copper wire winding and high-quality silicon steel stator, high efficiency, super quiet, energy saving.
- 7 Control method: Remote control
- 8 Diameter: 44inch
- 9 Reversible: YES

IV、Installation steps and instructions

1 Ceiling Fan Kit

Before the ceiling fan is installed, there are the following accessories in the carton, please check them one by one, if there is no shortage, you can install it.



1*Motor



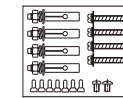
3*Blades



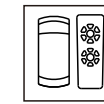
1*Lamp Plate + LED



1*Lampshade



1*Screw package



1*Remote control
1*Receiver

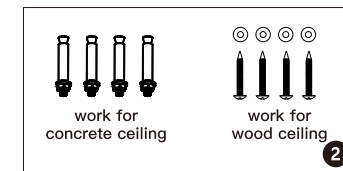
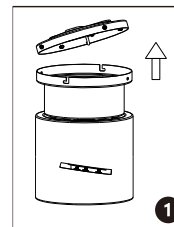


1*Instruction

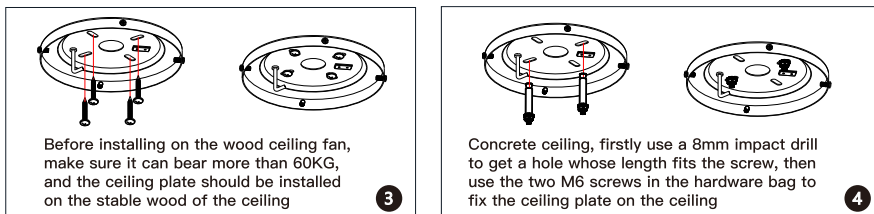
V、Installation Procedures:

1. Secure the ceiling plate

First remove the Ceiling plate from the fan motor, (Figure 1), there are two different kind of screws to fix the plate, one work for concrete ceiling and the other work for wood ceiling (Figure 2), choose the right screws to fix the ceiling fan (Figure 3&4)

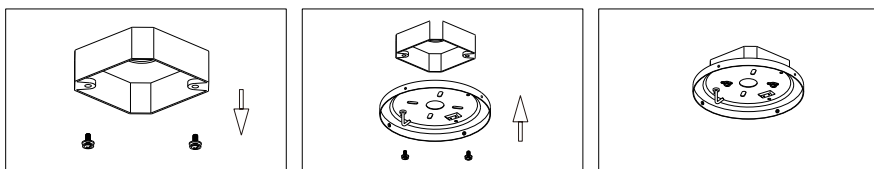


2



TIPS: Using different screws to secure the ceiling plate according to the different material of the ceiling, please do not install the ceiling plate on the ceiling which is unable to bear 60KG to prevent any potential danger. After the ceiling plate is located, make sure it can withstand more than 60KG, try to pull by hands to test if the ceiling is strong enough for safety.

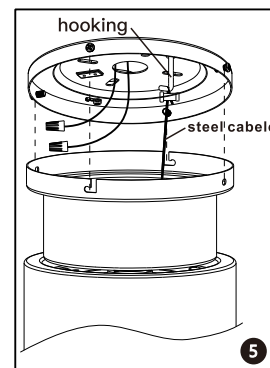
2. In stall the hanger bracket to the outlet box.
 - a. Take off the screws on the outlet box.
 - b. In stall the hanger bracket to the outlet box by screws.



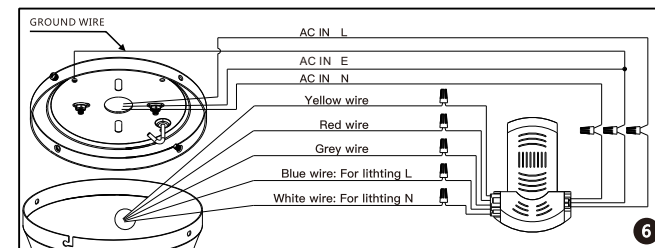
WARNING: To reduce the risk of fire, electric shock, or personal injury mount to an outlet box marked "Acceptable for Fan Support". Use the mounting screws provided with the outlet box. Most outlet boxes commonly used for supporting lighting fixtures are not acceptable for fan support and may need to be replaced. Consult a qualified electrician if in doubt.

VI. Install the fan motor

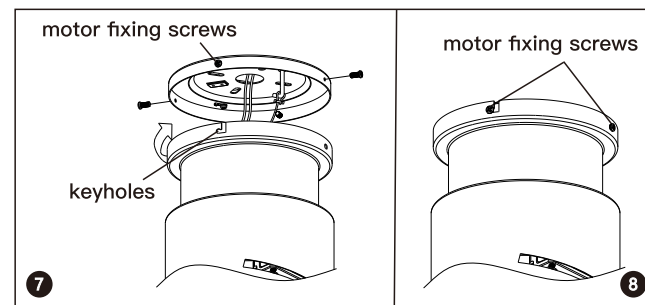
1. Connect the fan controller
 - a. Hang the fan motor with a steel cable on the hooking of the ceiling plate (Figure 5)
 - b. Wiring method of remote control receiver:(Figure 6)
 - 1).Connect the earth wire from ceiling to receiver and mounting plate green/ yellow wire. (AC IN E)
 - 2).Connect the neutral wire from ceiling to receiver white wire (AC IN N).
 - 3).Connect the live wire from ceiling to receiver black wire (AC IN L).
 - 4).Connect the yellow wire from motor to yellow wire from receiver.
 - 5).Connect the red wire from motor to red wire from receiver.
 - 6).Connect the grey wire from motor to grey wire from receiver.



ATTENTION:
Make sure the power is off when you are connect in these wiring for safety, and make sure every wiring is connected other right place.

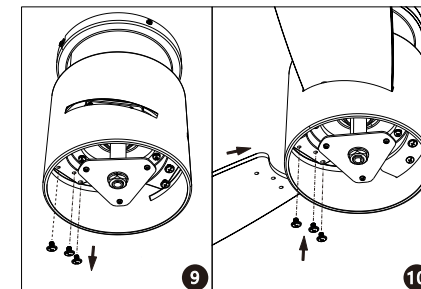


- 7).Connected the blue wire(FOR LIGHT)from motor to blue wire(FOR LIGHT) from receiver.
- 8).Connected the white wire(FOR LIGHT)from motor to white wire (FOR LIGHT) from receiver.
- c. Match the two keyholes of the fan motor to the two fixing screws of ceiling plate, and then turn the motor clockwise on the ceiling plate(Figure 7)
- d. Align the two fixing screws of the fan motor that have just been twisted to the holes, then tighten them, and tighten the remaining fixing screws in turn(Figure 8)



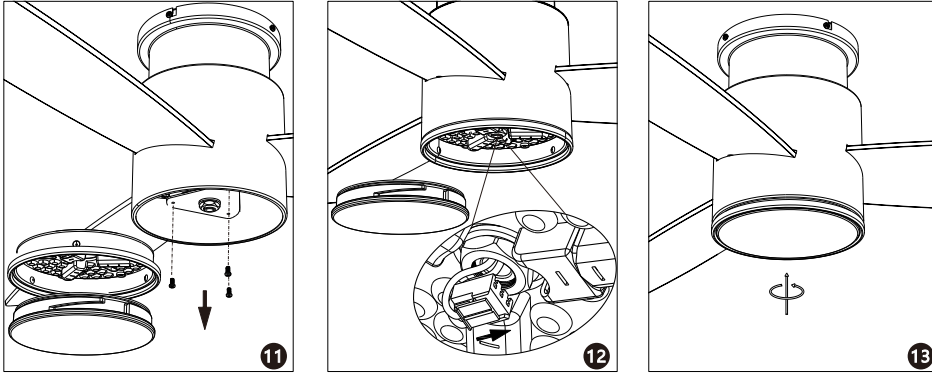
2. Install fan blades

- a. Take off the screws which on the blade arms, and save the screws for next step (Figure 9)
- b. Tighten the fan blades into the blade arms. make sure every screws are fix tightly for safety. (Figure 10)



3. Install the Lamp

- a. Remove the three fixing screws from the lamp holder.(Figure 11)
- b. Please plug the 2 light wires to the LED board properly, and check whether the driver output wires and the LED source board are tightly inserted, lock the lamp plate to the lamp holder with screws.(Figure 12)
- c. Install the lamp shade in place and rotate the lamp shade clockwise.(Figure 13)



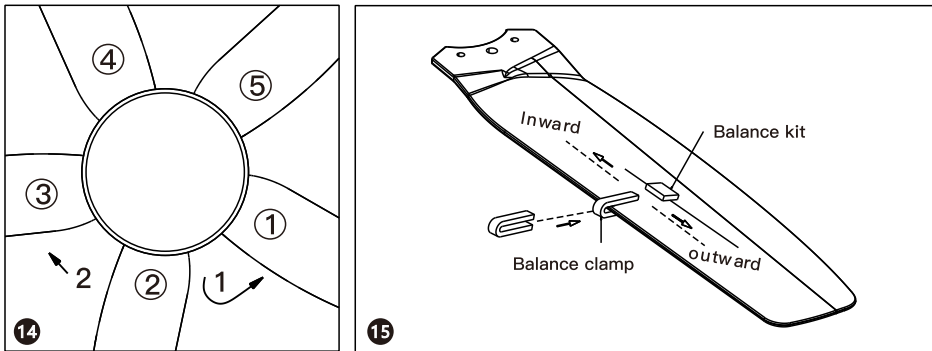
VII. Balance adjustment method of ceiling fan

if there is any shaking after installing the ceiling fan please check if the screws that fix the drop ball, mounting bracket, hanger , leaf shelf , and blade are locked.

If one of the above parts is not locked tightly , please re-lock it . If it is locked, please try the following ways to adjust the balance.

1.Change the position of the fan blades:

- a. As shown in the figure14 on the right, please remove the blades 1 and 2 and then lock each other to the opposite position to observe the effect .



- b. If there is no improvement after step a. Please remove the fan blades 2 and 3 and re-lock each other to the opposite position to observe the effect.

2 .Adjust with balance pack

- a. Take out the balance bag from the packing box, use a balance clamp to select one of the fan blades and clamp the balance clamp on the edge of the tail end of the fan blade (as shown in Figure 15 on the right)
- b. Turn on the fan to see whether the shaking of the ceiling fan has been reduced. If it does not improve, try another fan blade. Experiment with all the fan blades in turn to find the blade with the weakest clamping balance.
- c. Clamp the balance clamp on the fan blade with the weakest shaking, move it in or out on the edge of the fan blade, turn on the ceiling fan to find the best position of the balance clamp to control the shaking balance (as shown in the right Figure 15)
- d. Take the balance sticker, tear off the double-sided tape of the balance sticker, and stick the balance sticker on the center of the blade at the position of the balance clip (as shown in the right Figure 15)

VIII.Precautions

Warning

In order to prevent fire and electric shock, it is forbidden to install and use the electric switch which is not equipped with this ceiling fan.

Maintenance and repair of ceiling fans

- 1 .It is recommended to check the connecting parts of the fan at least once a year. such as the hanger, the hanging pipe fastening screw and the fan blade ,to ensure that their connection is still safe and reliable.
- 2 .Clean the ceiling fan regularly to keep the surface clean and clean. When removing surface dust, please use a soft brush or cloth. When removing oil or laminate, wipe it off with a slightly wet cloth. Do not rinse with water directly.
- 3 .Motor bearing is already provided with grease, do not add lubricating oil to the motor of ceiling fan. To avoid scratching the surface.

IX. Ceiling Fan Troubleshooting Solutions & Common Problems

Can't start	1. Check whether the fuse of the external power line of the ceiling fan is blown, whether the automatic protection switch is tripped and the circuit is broken.
	2. Check whether the voltage is seriously lower than the rated voltage of the ceiling fan.
	3. Check whether the internal wiring of the ceiling fan is loose or has poor contact.
Noise	1. Ensure the ceiling fan is not severely impacted before installation
	2. Make sure that the hanging pipe connecting bolt is installed correctly and the hanging pipe solenoid is locked.
	3. The new ceiling fan allows a 24-hour "trial period", after the trial period, most of the ceiling fan noise will disappear.
	4. It is not recommended to install on wooden ceilings, steel structures or prefabricated panels, as this will amplify the sound.
The lamp is defective	1. Check whether the connection wire of the lamp is loose.
	2. Check whether the light switch is damaged, the wire end is loose or the contact is poor.
	3. Check whether the light source is burned out
Fan wobble	1. Check whether the mounting bracket is locked
	2. Check if the screw of the lock blade is locked
	3. Check whether the screw of the blade retracted to the motor is locked