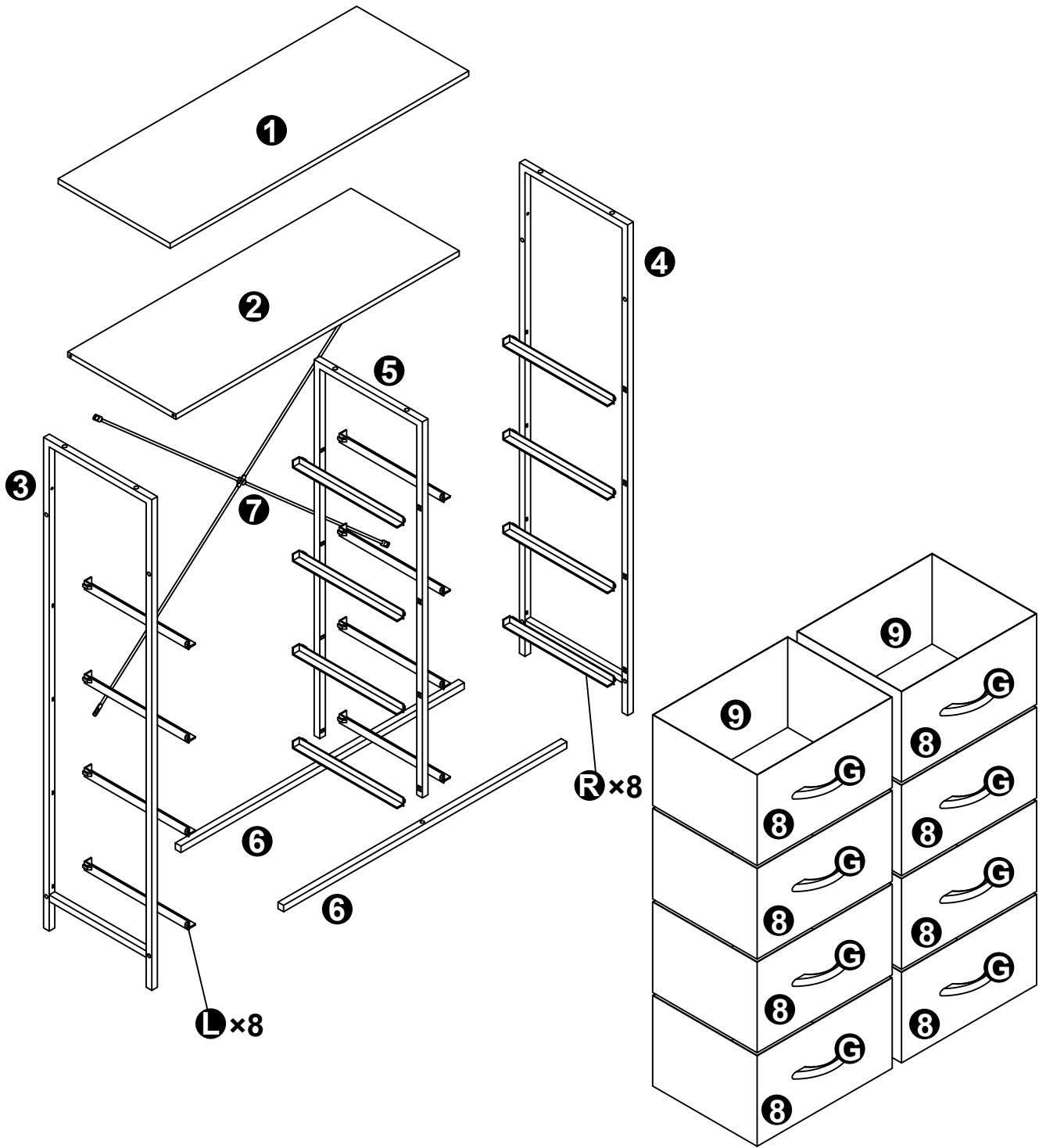


Drawer Storage Tower

Instruction Manual

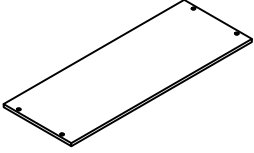


EXPLODED VIEW

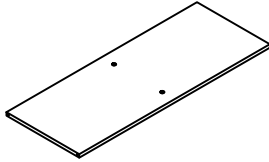


PARTS LIST

1x1



2x1

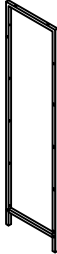


3x1



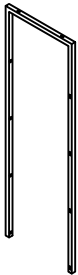
Left

4x1

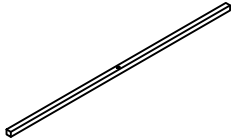


Right

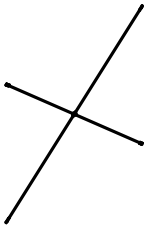
5x1



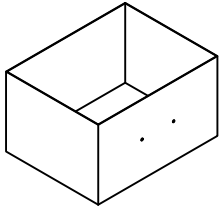
6x2



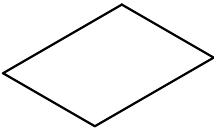
7x1



8x8

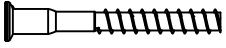


9x8



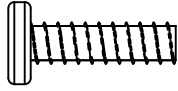
HARDWARE

Ax4



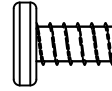
M6×40mm

Bx12



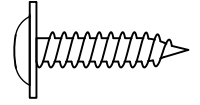
M6×23mm

Cx4



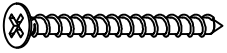
M6×12mm

Dx16



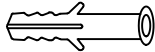
M4×10mm

Ex2

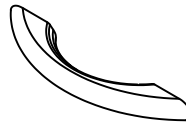


M4×60mm

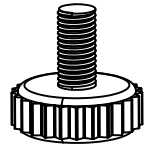
Fx2



Gx8



Hx4



M6

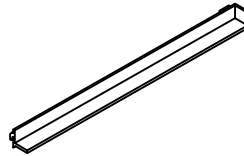
Ix1



Jx1

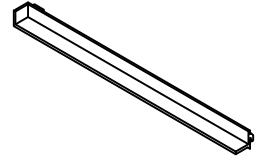


Lx8



Left

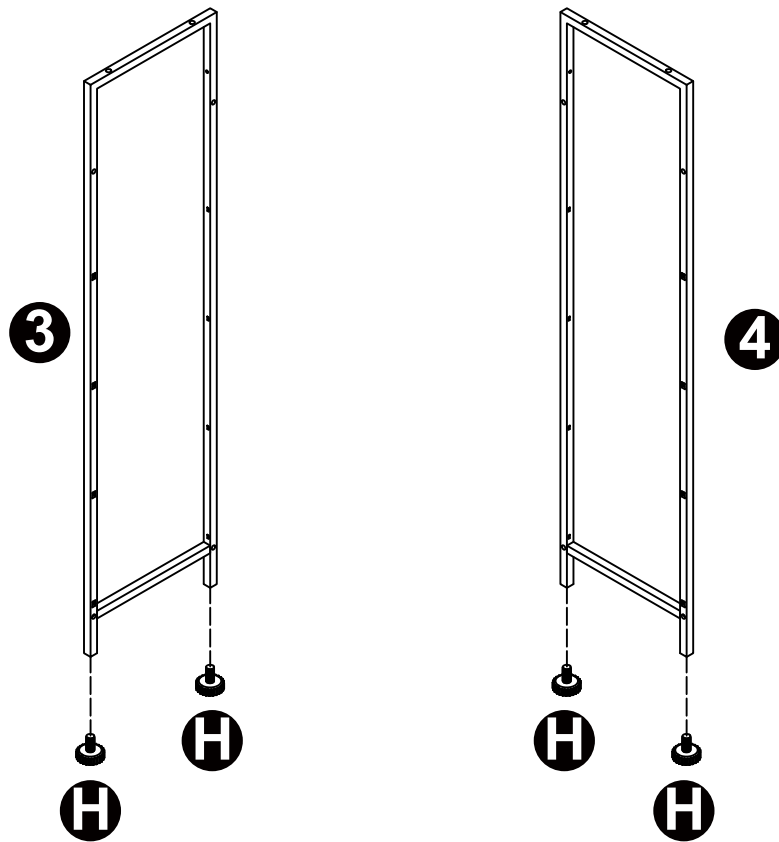
Rx8



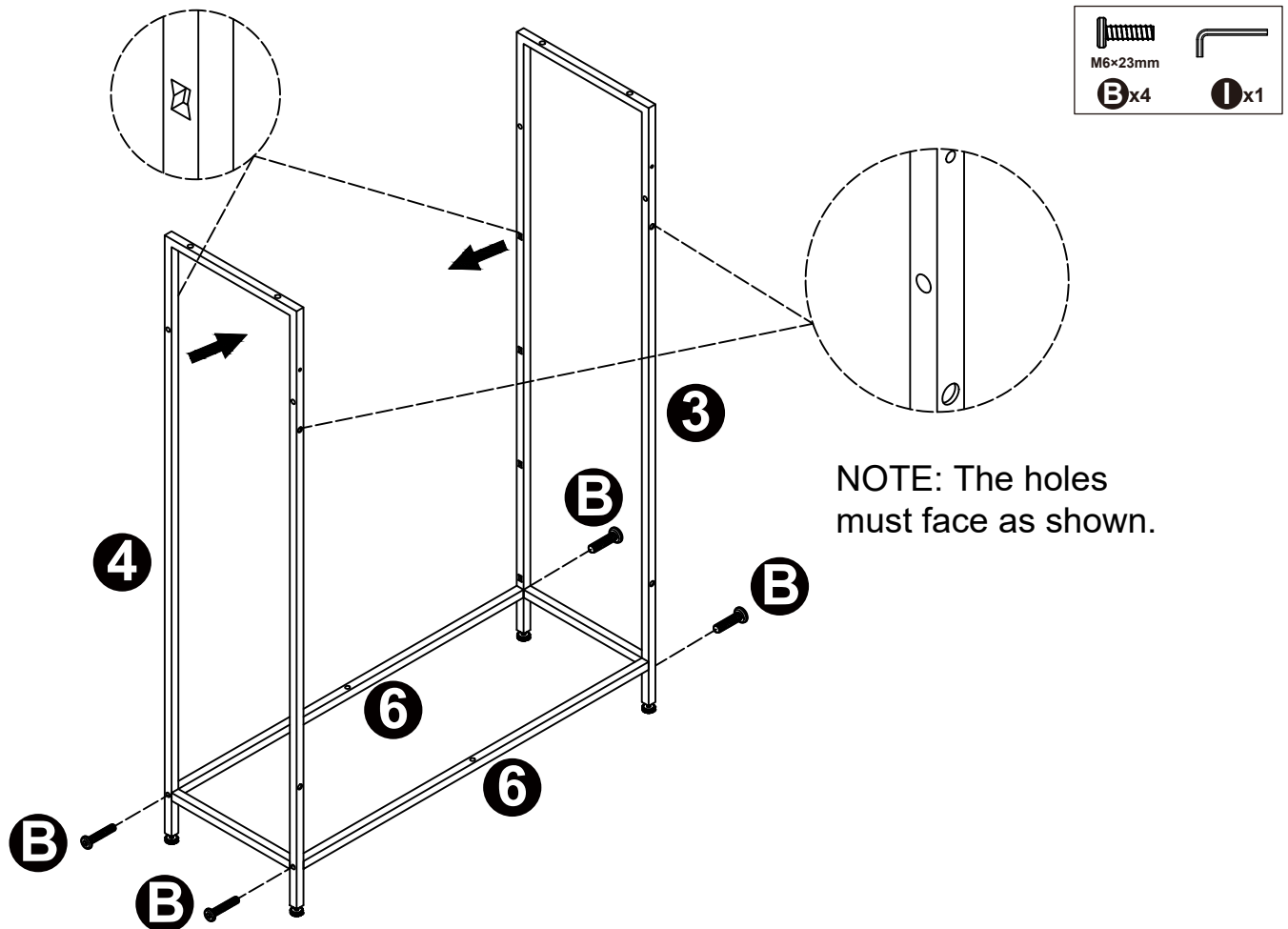
Right

Assembly Instruction

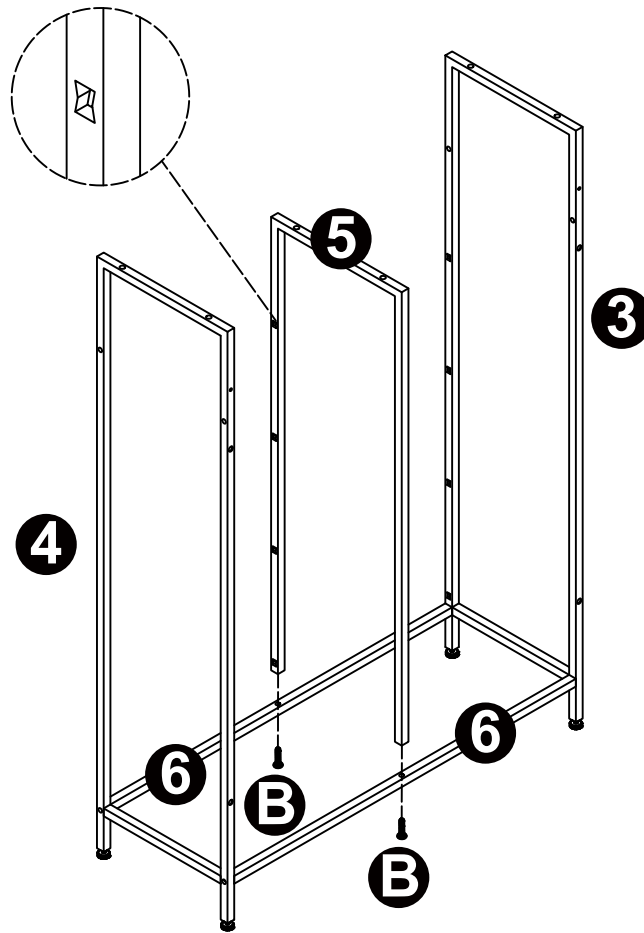
STEP 1



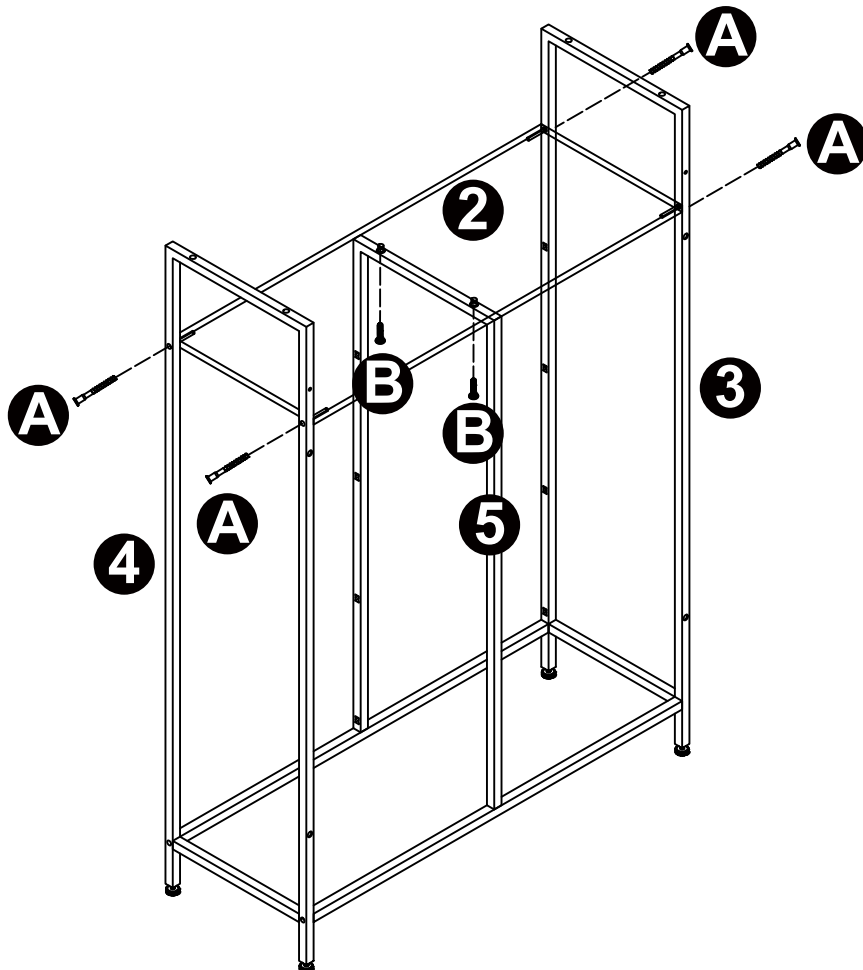
STEP 2



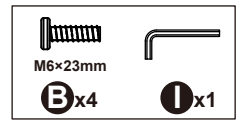
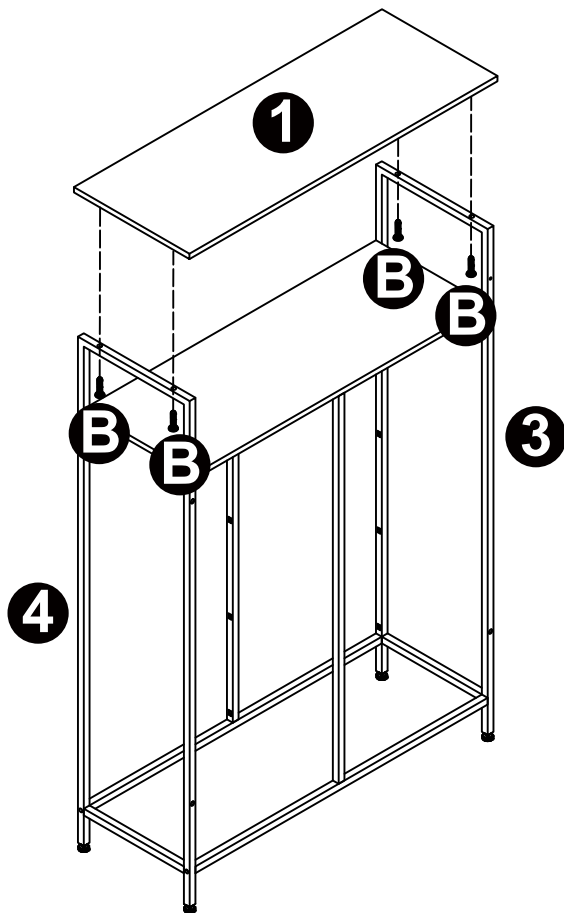
STEP 3



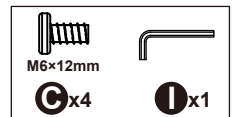
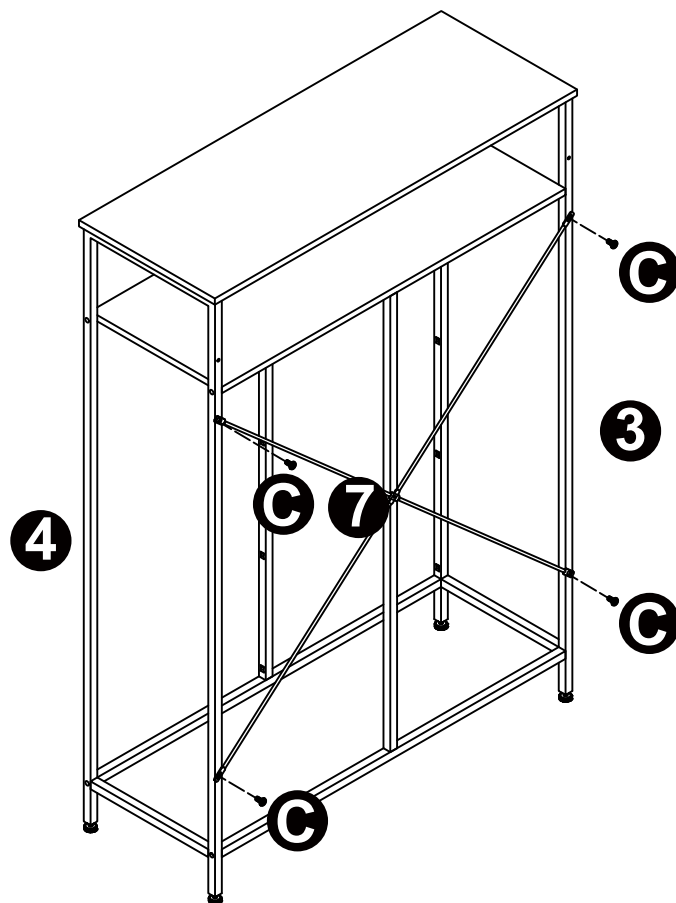
STEP 4



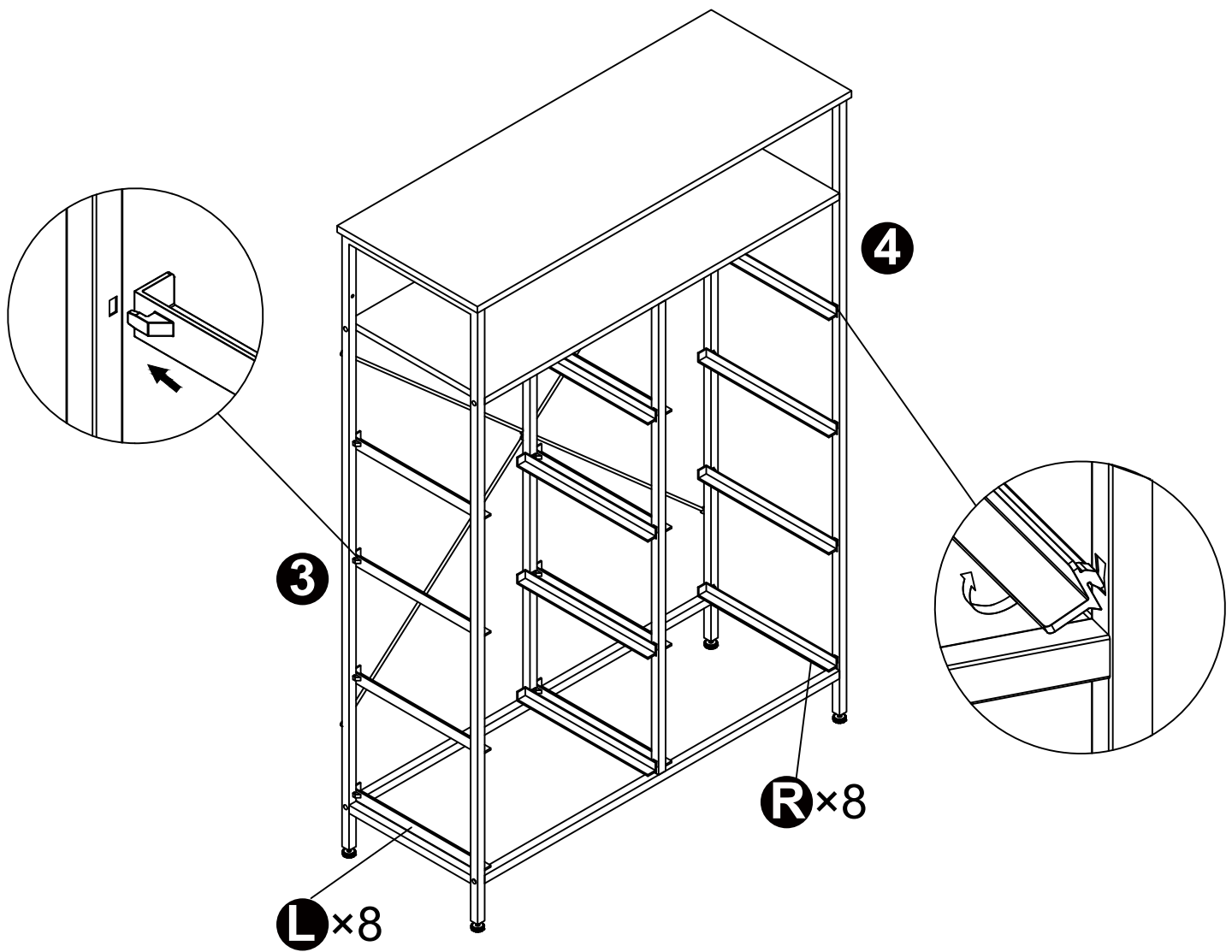
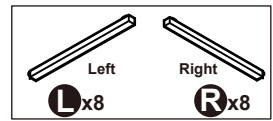
STEP 5



STEP 6

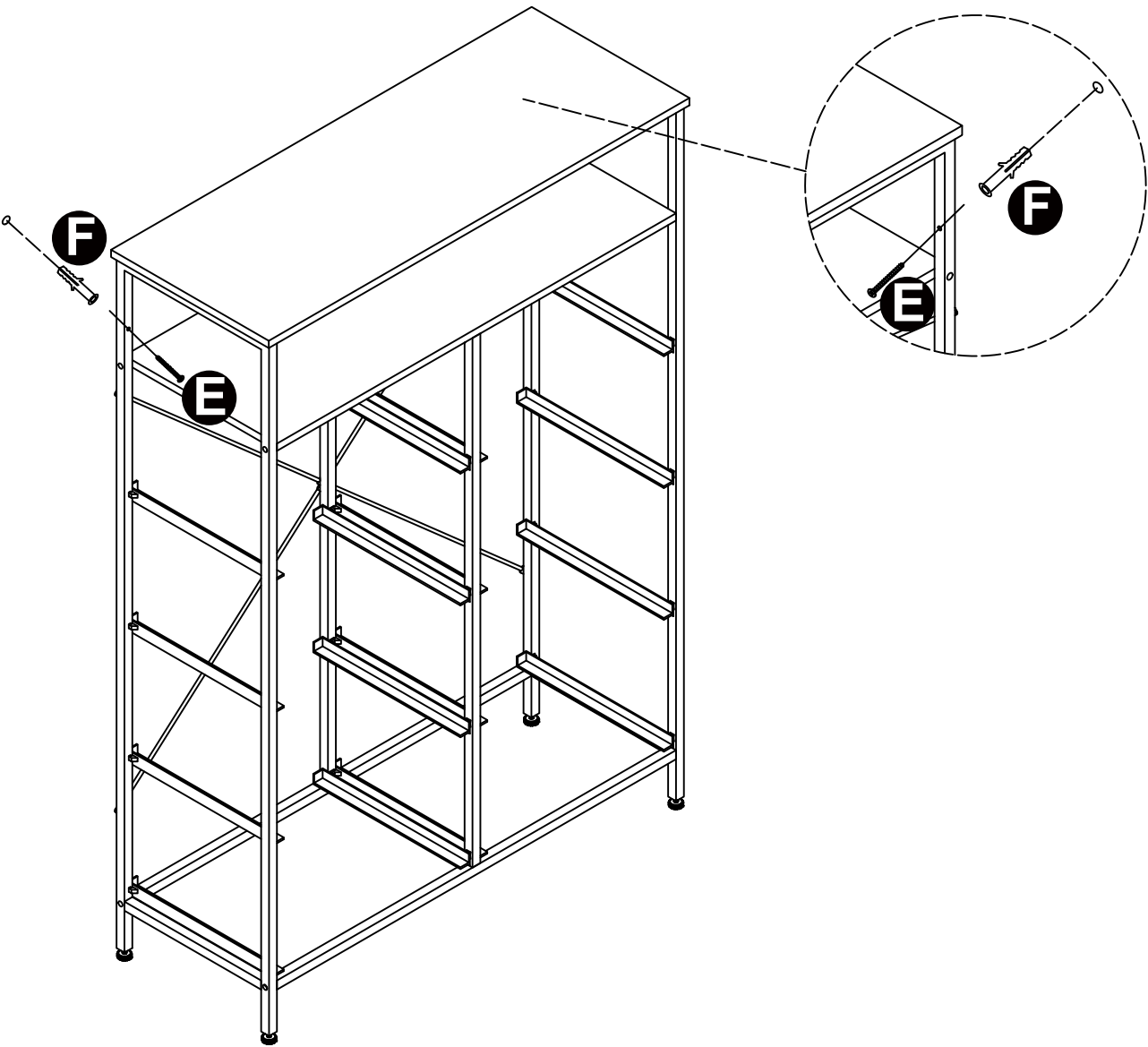


STEP 7

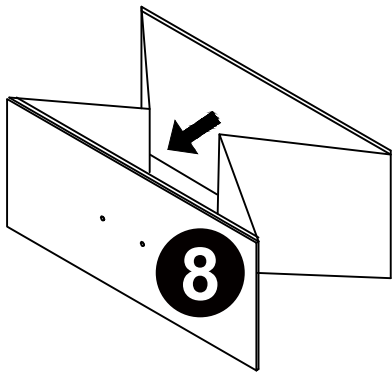


STEP 8

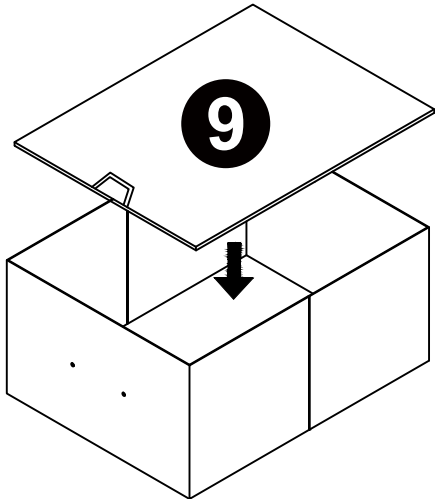
M4×60mm
E x2 **F** x2 **J** x1



STEP 9



1

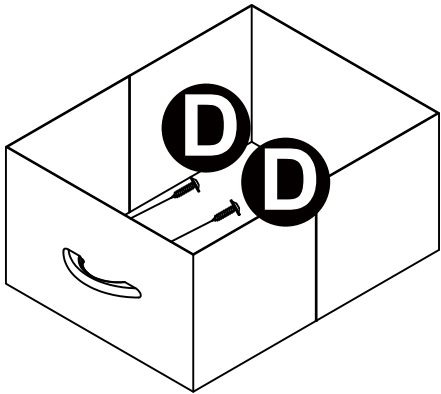
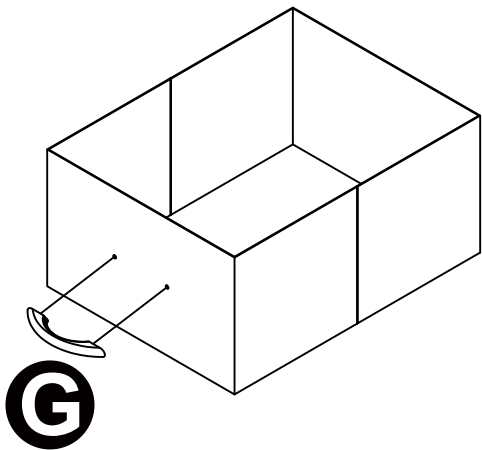


2

x8

3

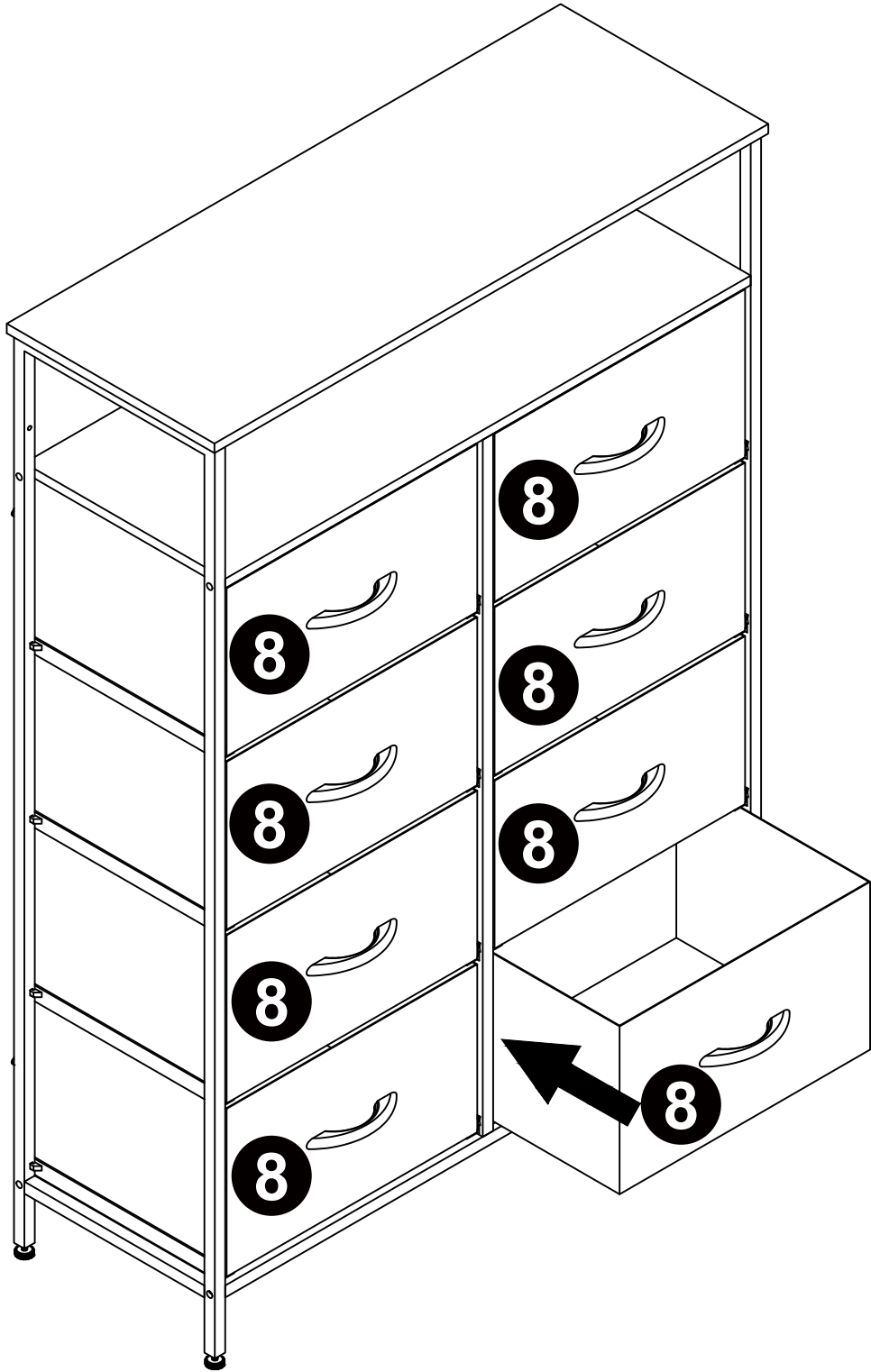
4

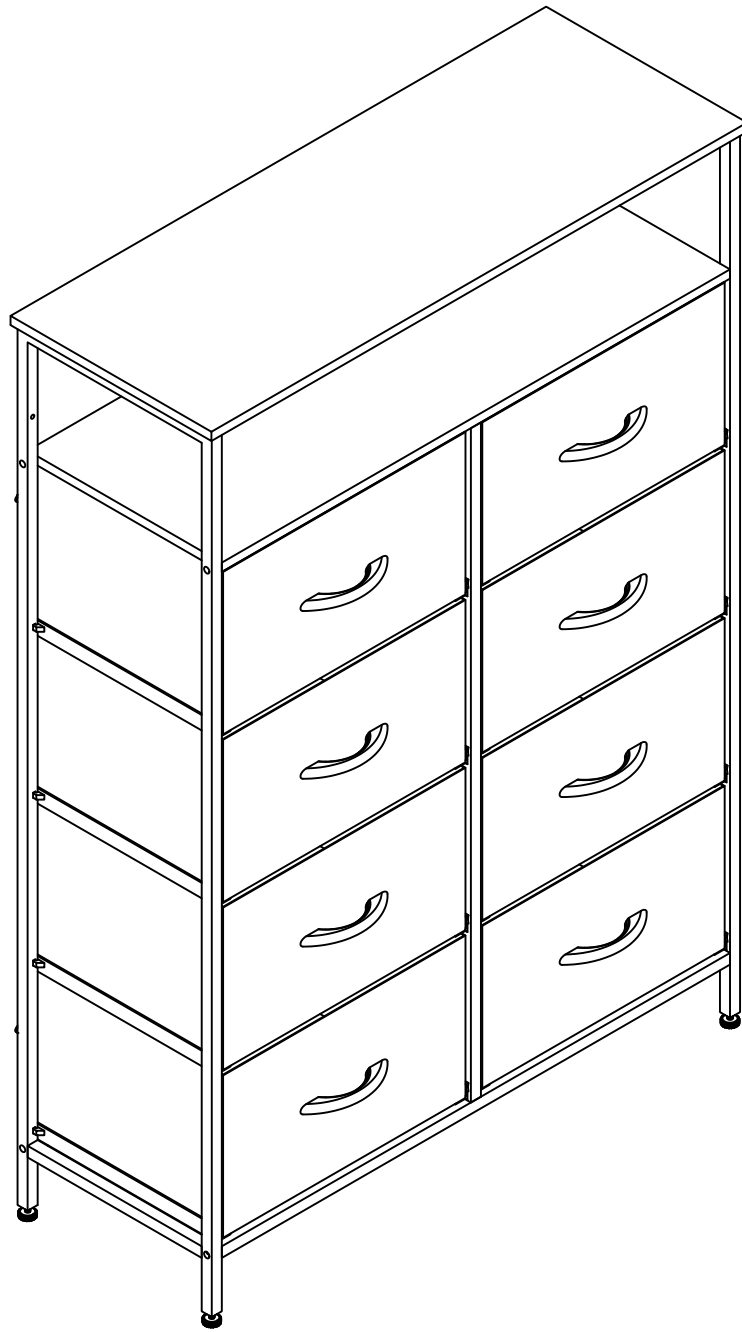


STEP 10



Tighten all screws securely before use.





Thank you for choosing this product. We strive to provide you with the best quality products and service in the industry. Should you have any issues, please don't hesitate to contact us.