







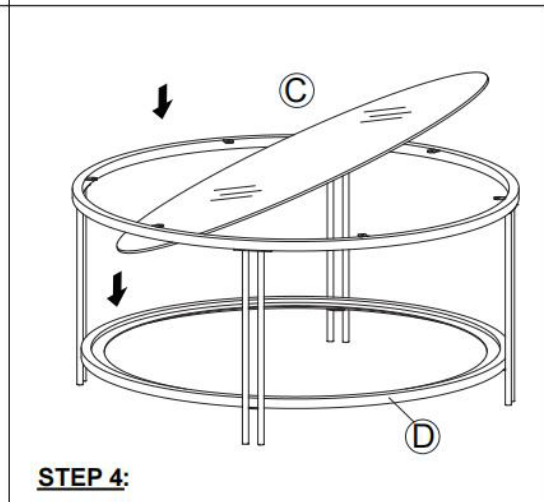
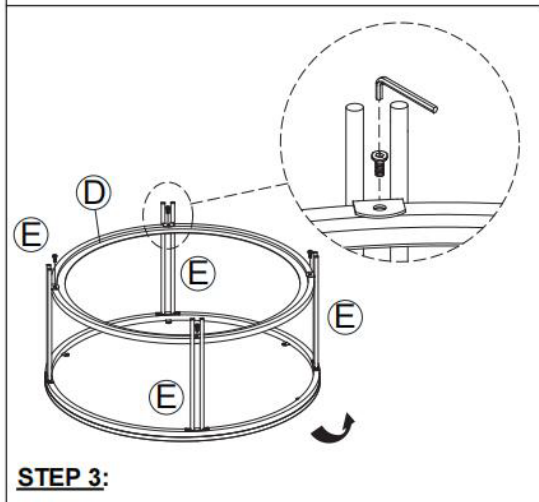
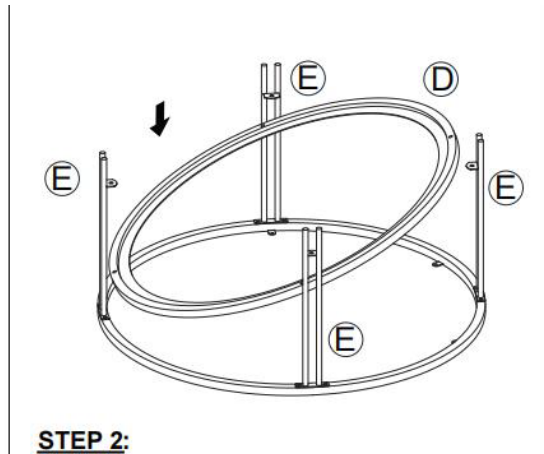
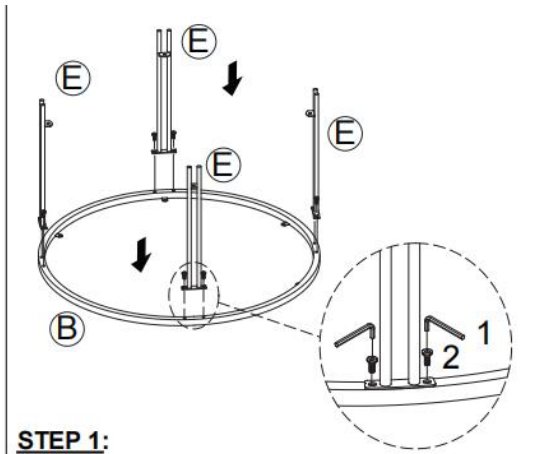


Read instructions carefully prior to assembly.

Thank you for purchasing this quality product. Check carefully for small parts which may come loose during shipment. Remove all components from pack and place top down on soft surface such as carpet or cloth to prevent scratching the finish. Identify and count all parts as specified below.

It is recommended to use two or more persons during the assembly process.

Hardware List					Parts List			
No.	Description	Sketch	Size	Q.ty	No.	Description	Sketch	Q.ty
1	Allen Key		M4x58x23	1 pc	A	Top panel		1 pc
2	Allen Bolt		Ø12*1/4*12mm	18pcs	B	Top frame		1 pc
3	Rubber Bumper Pads		Ø12*3mm	4pcs	C	Glass shelf		1 pc
Note: Do not tighten all screws & Bolts until the table is fully assembly.					D	Shelf frame		1 pc
					E	Leg		4 pcs

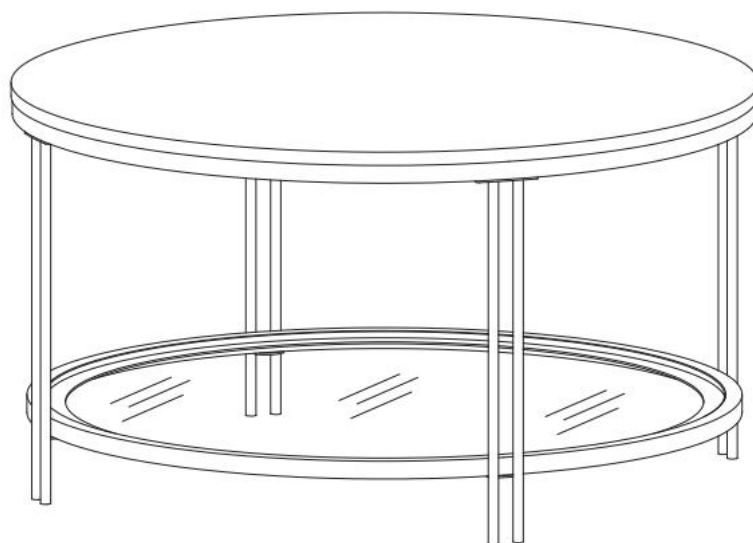
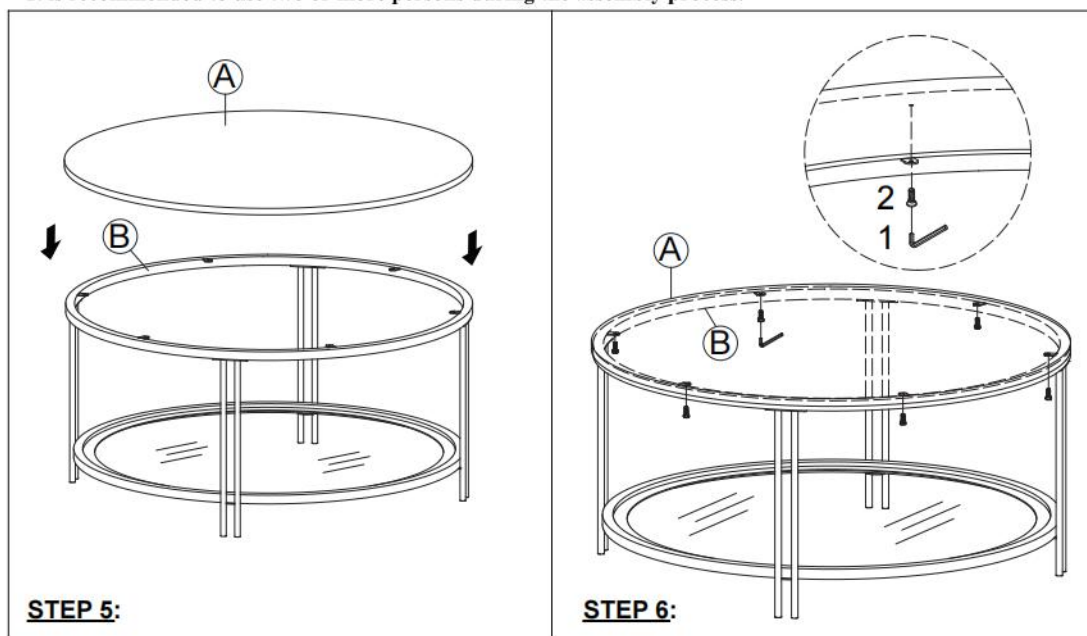


Cleaning instructions: Clean using soft cloth

Read instructions carefully prior to assembly.

Thank you for purchasing this quality product. Check carefully for small parts which may come loose during shipment. Remove all components from pack and place top down on soft surface such as carpet or cloth to prevent scratching the finish. Identify and count all parts as specified below.

It is recommended to use two or more persons during the assembly process.



STEP 7: