



LED VELOCE - Recessed Downlight


LED-SR4P



INSTRUCTIONS PERTAINING TO RISK OF FIRE OR INJURY TO PERSONS READ ALL INSTRUCTIONS

IMPORTANT SAFETY INSTRUCTIONS

SAVE THESE INSTRUCTIONS



TOOLS AND MATERIALS REQUIRED:



Phillips Screwdriver



Wire Cutters

Wiring supplies as required by electrical code



Pliers



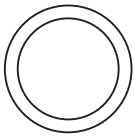
Drill

SAFETY PRECAUTIONS:

1. TURN OFF ELECTRICAL POWER BEFORE STARTING INSTALLATION OF LIGHT FIXTURE.
2. THIS PRODUCT MUST BE INSTALLED IN ACCORDANCE WITH THE APPLICABLE INSTALLATIONS CODE BY A PERSON FAMILIAR WITH THE CONSTRUCTION AND OPERATION OF THE PRODUCT AND THE HAZARDS INVOLVED.
3. CAUTION – RISK OF ELECTRIC SHOCK. CONSULT A QUALIFIED ELECTRICIAN TO ENSURE CORRECT BRANCH CIRCUIT CONDUCTOR.

PACKAGE CONTENTS

PART	DESCRIPTION	QTY
A	LED disc light	1
B	Wire nut	3



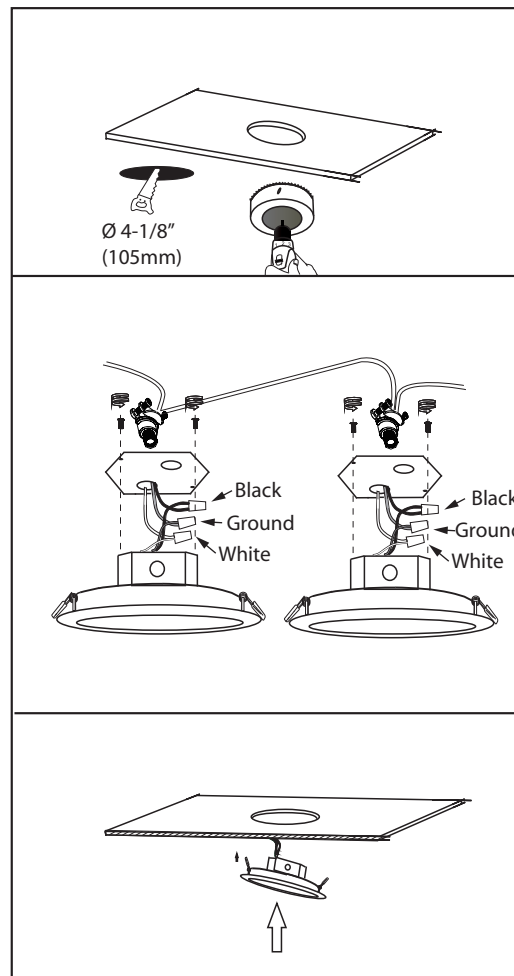
A



B

This LED light is suitable to be dimmed by Major Brand model# 6672, Major Brand model# 6633

Dimming levels may vary by dimmer



1. Drill hole in ceiling. (thickness of the sheetrock \geq 1/2").

2. Knock blind knockout open in your required position and install the Romex connector if required (1/2" (not included)). Open the top cover of the J-box by unscrewing the screws. Connect supply wires to wires on fixture with wire nuts. Connect white to white, black to black, green or bare copper grounding wire to bare copper grounding wire. Attach the J-box top cover and secure with self-taping screws. If wiring to another light, also connect white to white, black to black, green or bare copper grounding wire to bare copper grounding wire.

3. Bring the light up to the hole, hold in the spring clips and push the light into the ceiling. It is easier to do one spring at one time.