



Warnings and Cautions

Please retain this instruction for future usage and read carefully before assembly.

Make sure you have all the parts & hardware as item list shows.

***2 adults or more** are recommended to install your gazebo.*

Do not discard any of the packaging until you have checked that you have all the parts and pack of fittings.

Check all bolts for tightness before use, and periodically check and tighten bolts ensure your gazebo works properly.

Some parts might have sharp edges/corners. Please follow basic safety precautions to reduce the risk of hurts.

*Maximum weight capacity is **1000 pounds**.*

*It is essential to place the gazebo on level ground and not less than **6 feet** from any obstruction such as fences, garages, overhanging branches, laundry lines, or electrical wires.*

If you have questions or concerns.

*Please contact us via email at **service@domioutdoorliving.com***



10'X12'

SKU: LGCF1752

Metal Gazebo

Assembly Manual

Thank you for your purchase of

Domi outdoor living's Gazebo

Read and follow this assembly and operation guide.

To reduce personal injury and damage to your gazebo

We recommend a **two-person team** for assembly and disassembly.

If you like our products, please tell other customers

If you have prbblem with our products, please tell us

Please feel free to contact us.

DOMI OUTDOOR LIVING

domi
outdoor living

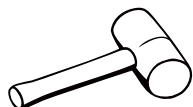
Pre-assembly

TOOLS THAT MAY BE REQUIRED (Not included in boxes)

*NOTE: Tools / equipment are not shown to actual size and scale.



LEVEL



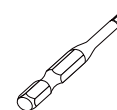
RUBBER MALLET



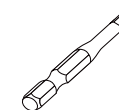
PHILLIPS SCREW



DRILL



ALLEN KEY



ALLEN KEY

EQUIPMENT REQUIRED (Not included in boxes)

*NOTE: Equipment are not shown to actual size and scale.



SAFETY HAT



GLOVES



SAFETY GOGGLES



STEPLADDER

Matters needing attention



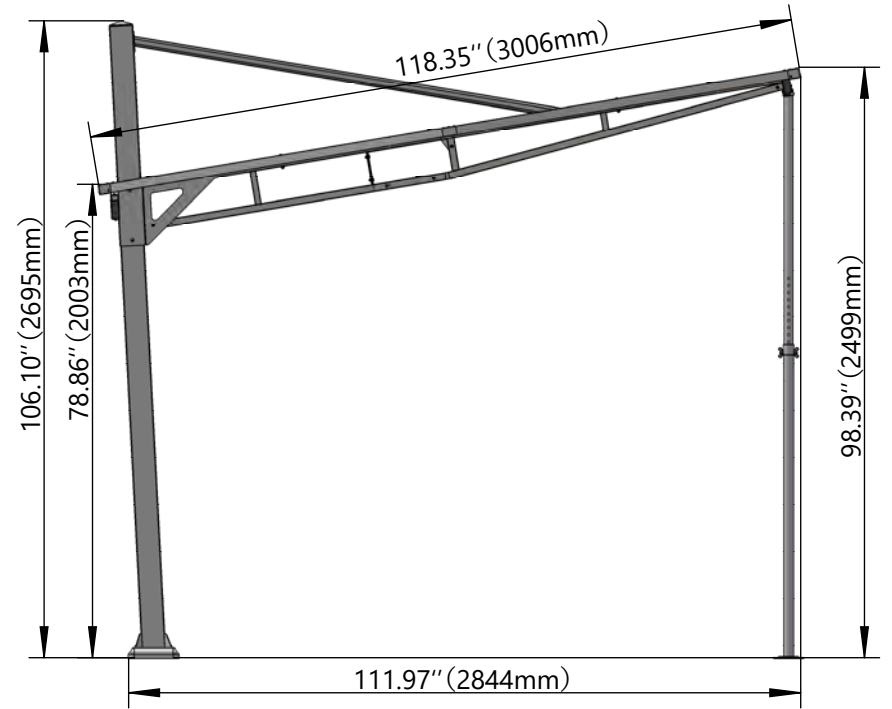
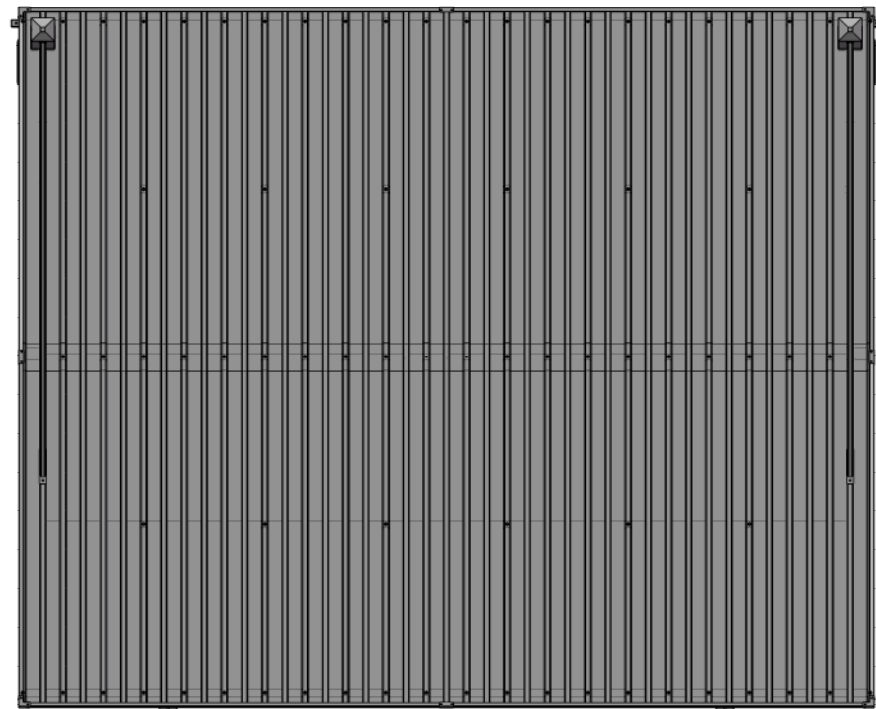
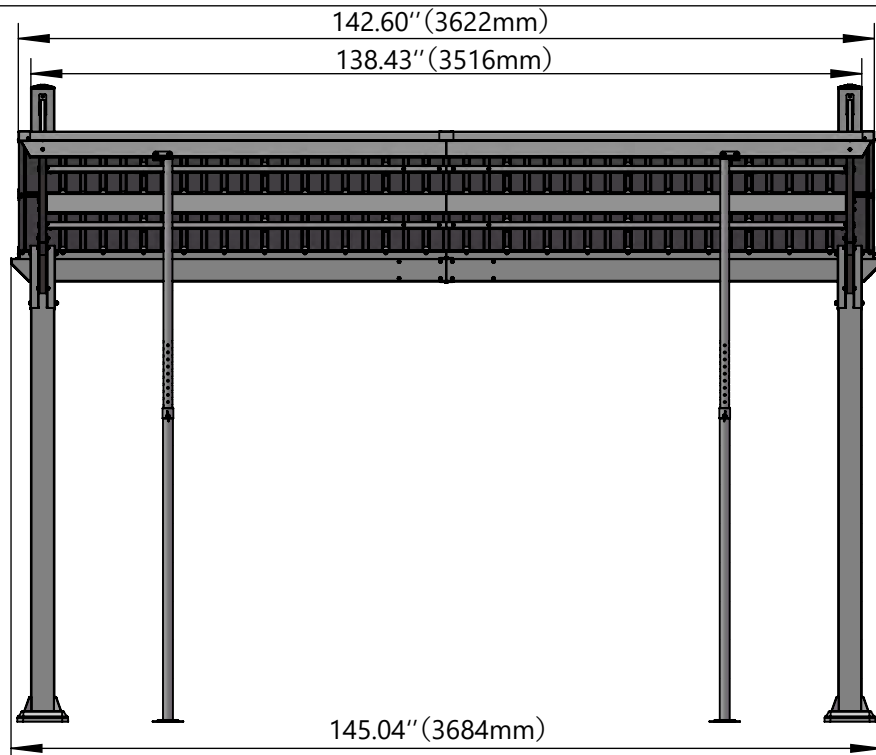
1. Two or more people are required for assembly.

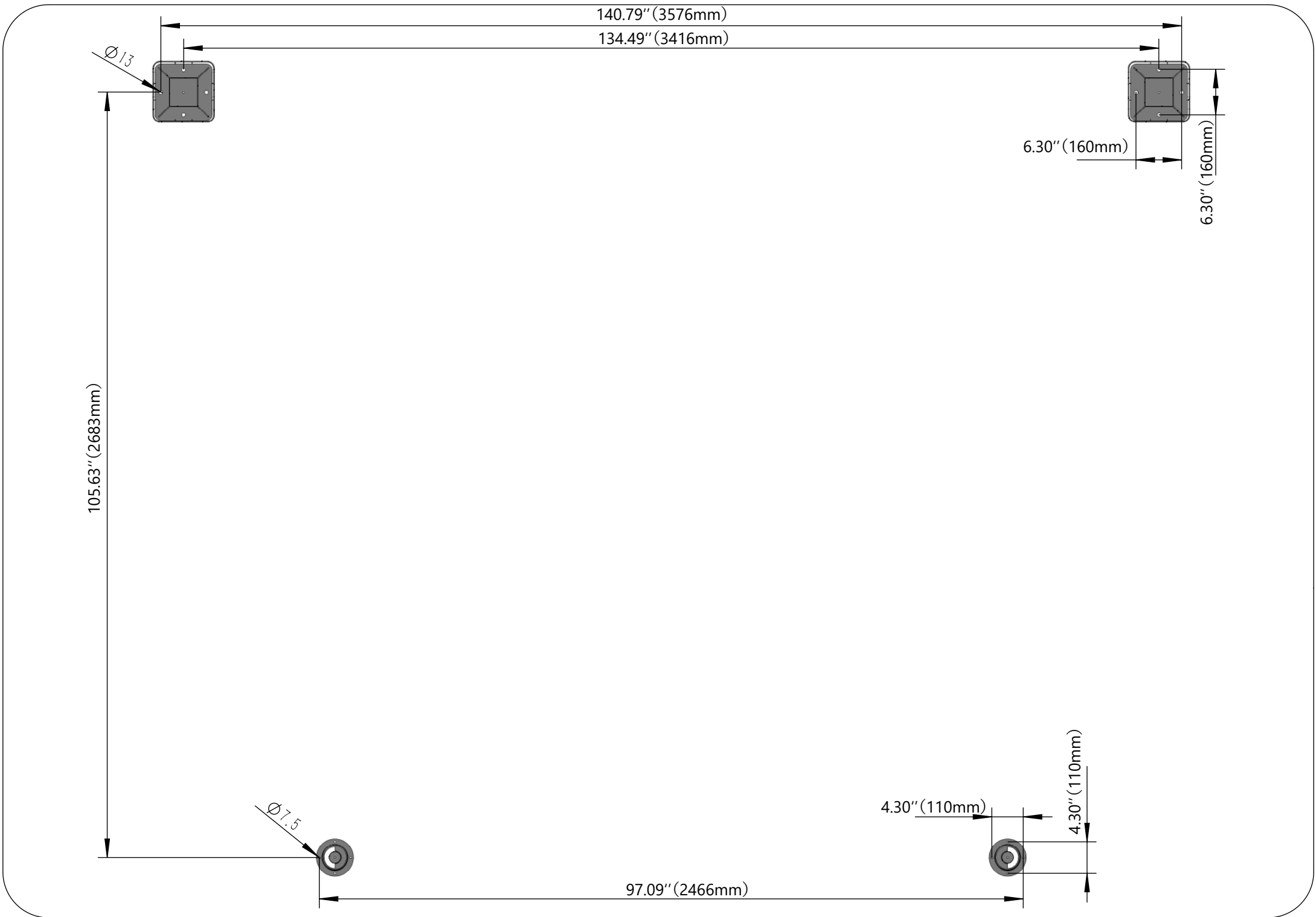


2. Do not fully tighten screws prior to complete assembly.

IMPORTANT

The construction of a gazebo may require a municipal permit or be subject to specific building codes. It is the responsibility of the consumer to check and ensure compliance with any local regulations or restrictions before proceeding with assembly.





140.79" (3576mm)

134.49" (3416mm)

$\phi 13$

105.63" (2683mm)

6.30" (160mm)

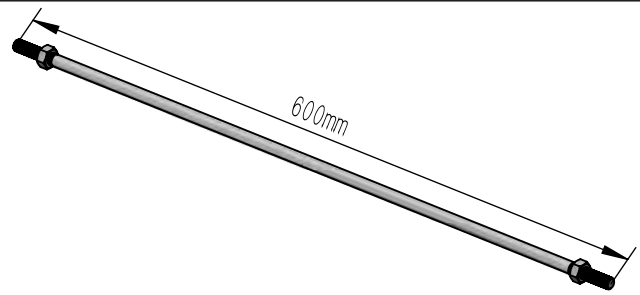
6.30" (160mm)

$\phi 7.5$

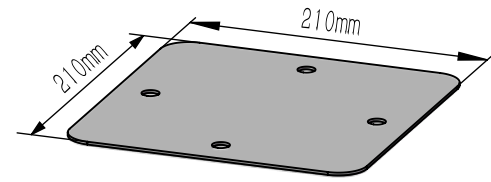
4.30" (110mm)

4.30" (110mm)

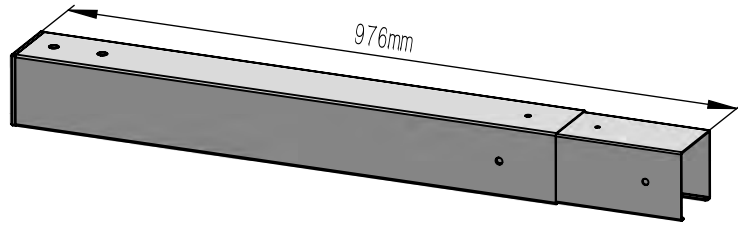
97.09" (2466mm)



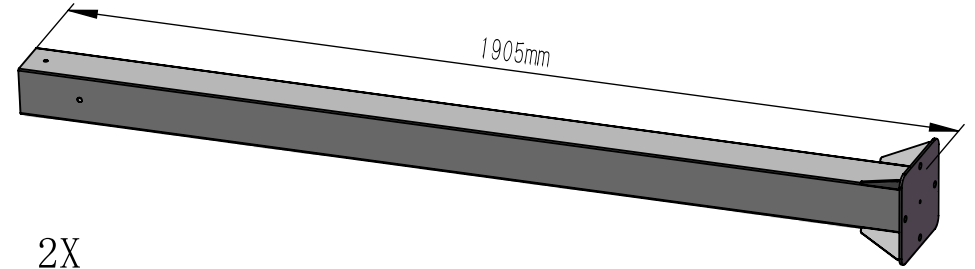
A1 8X



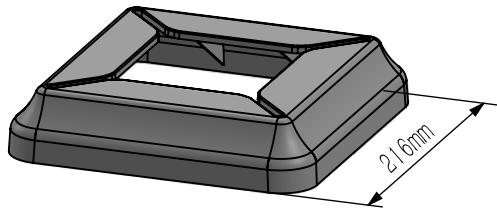
A2 4X



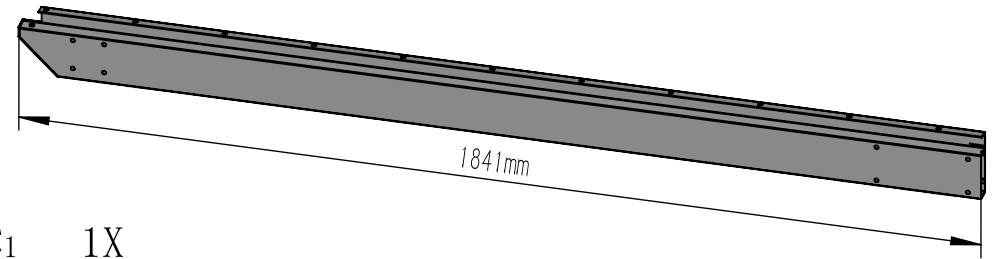
B1 2X



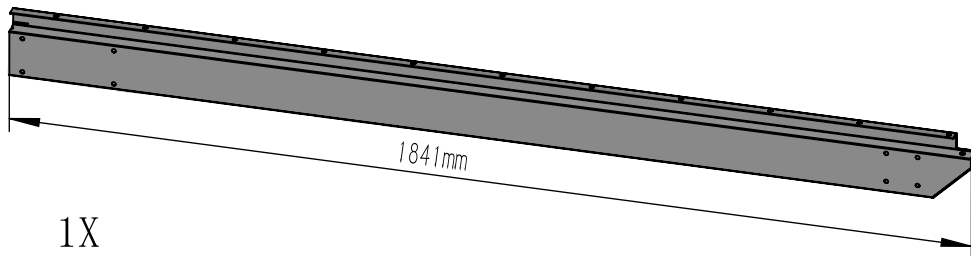
B2 2X



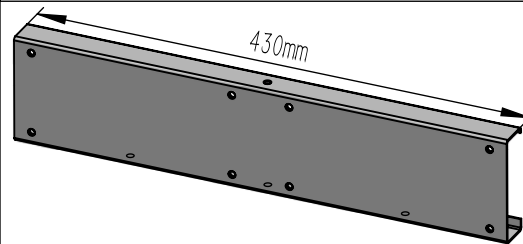
B3 2X



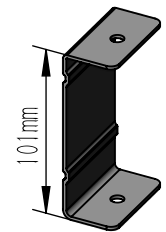
C1 1X



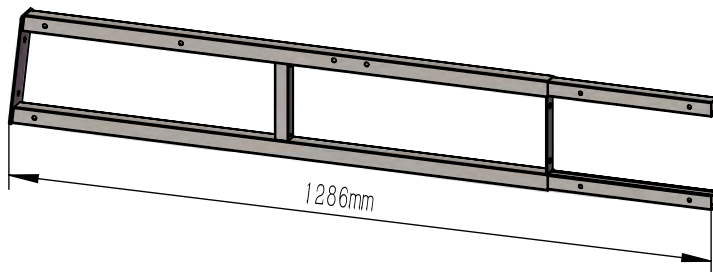
C2 1X



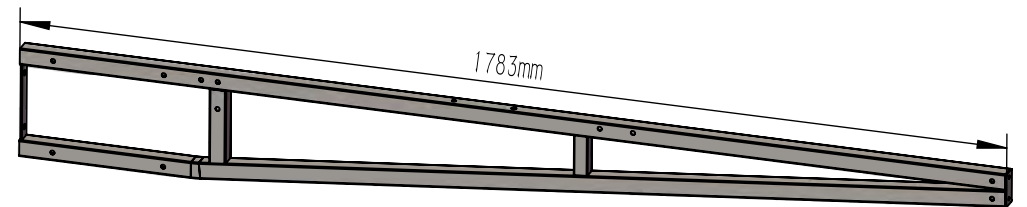
C3 1X



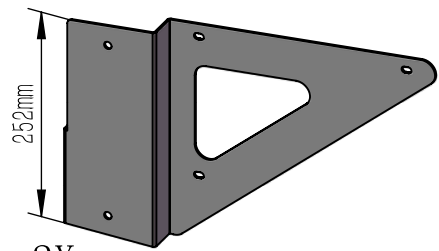
C4 1X



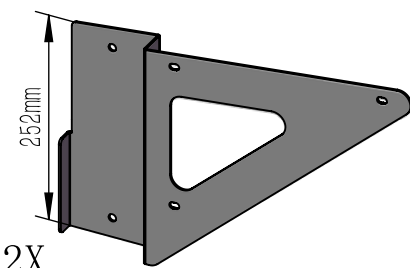
D1 2X



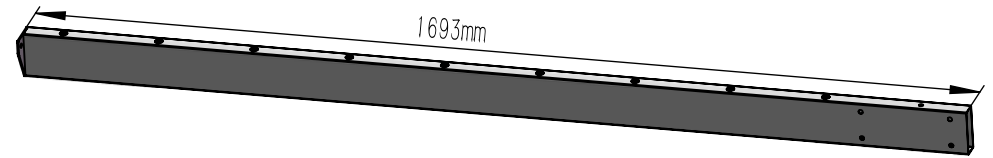
D2 2X



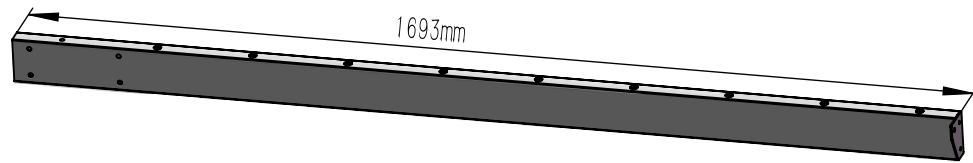
E1 2X



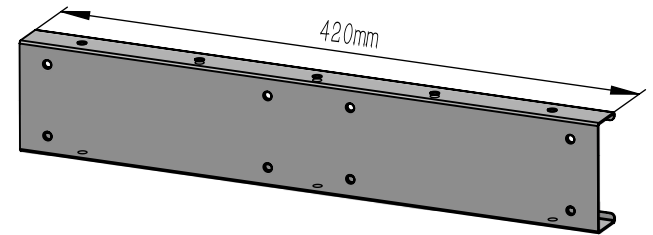
E2 2X



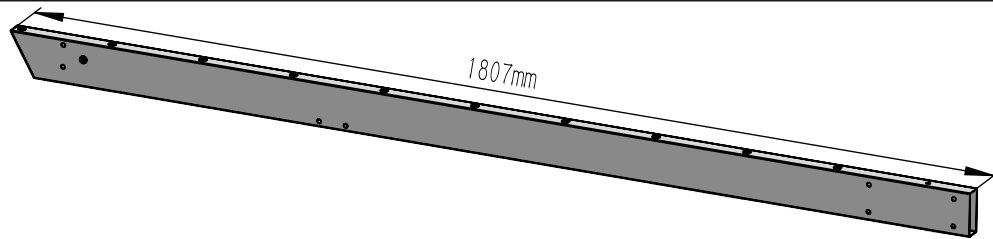
F1 1X



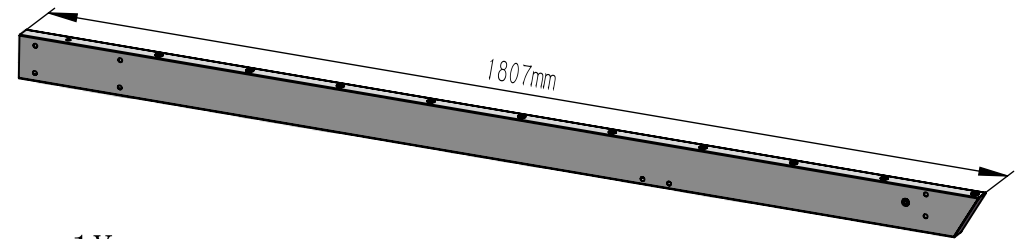
F2 1X



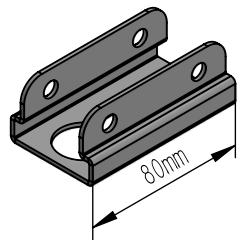
F3 2X



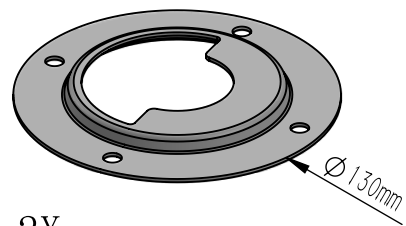
G1 1X



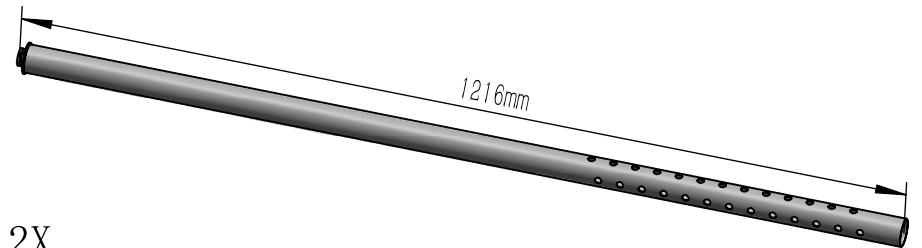
G2 1X



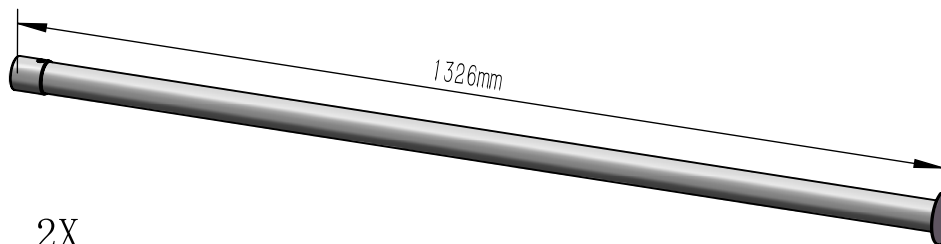
G3 2X



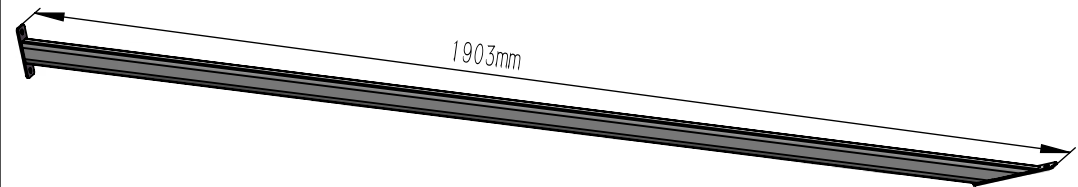
G4 2X



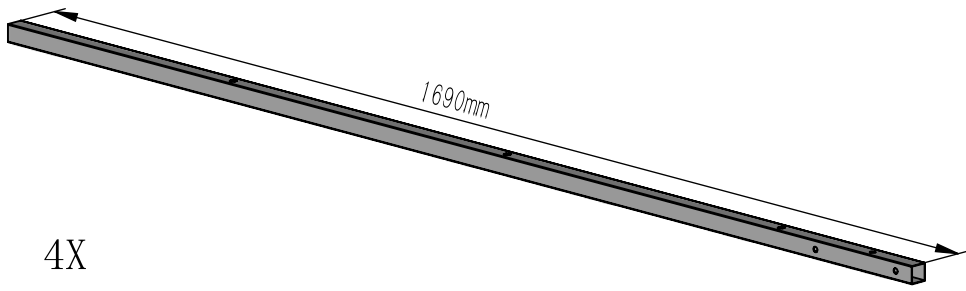
H1 2X



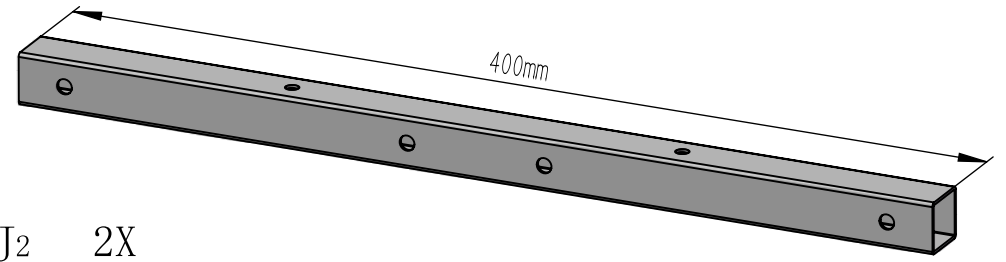
H2 2X



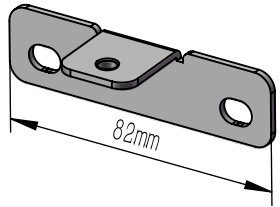
I1 2X



J1 4X



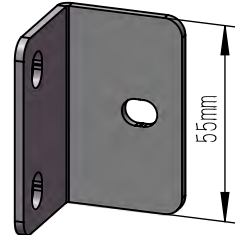
J2 2X



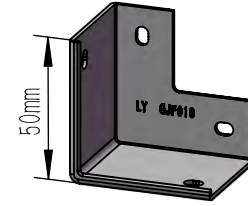
J3 4X



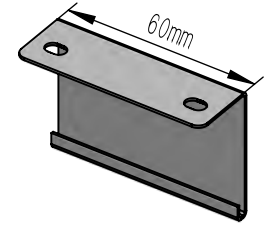
K1 2X



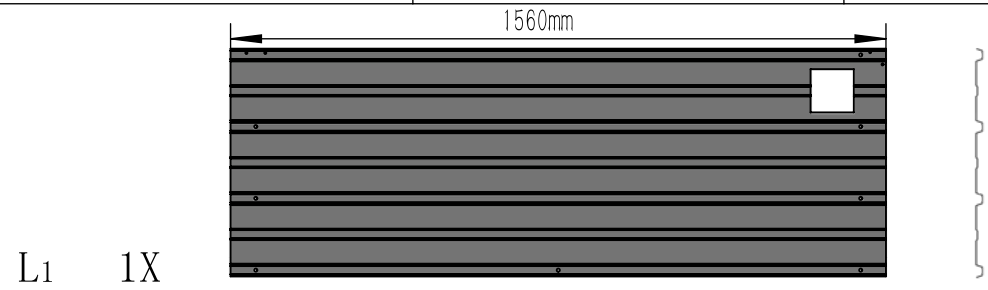
K2 2X



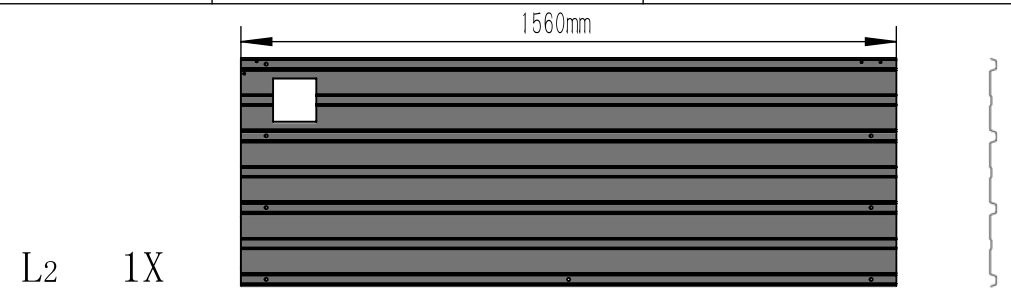
K3 4X



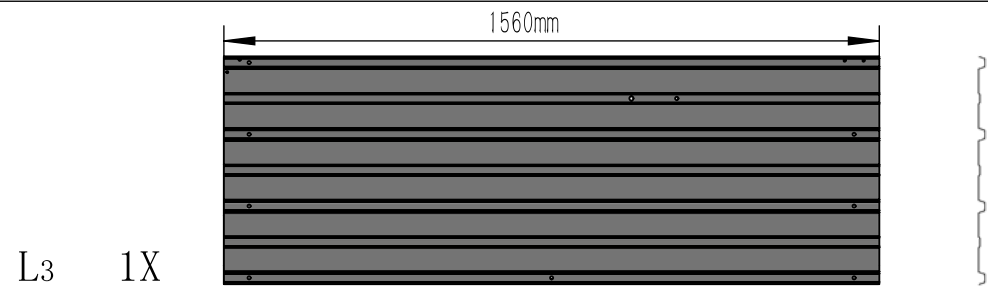
K4 4X



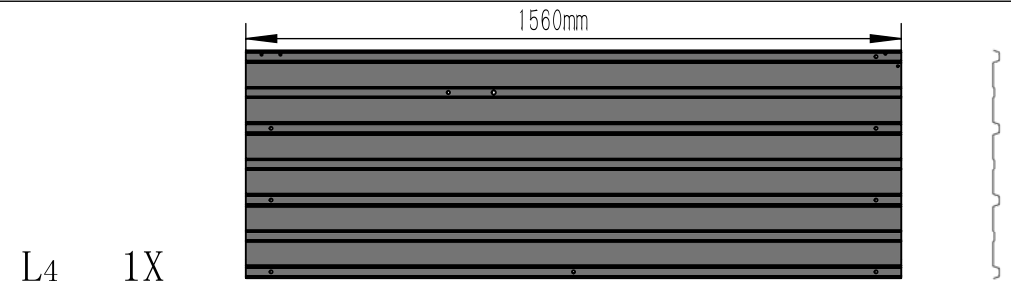
L1 1X



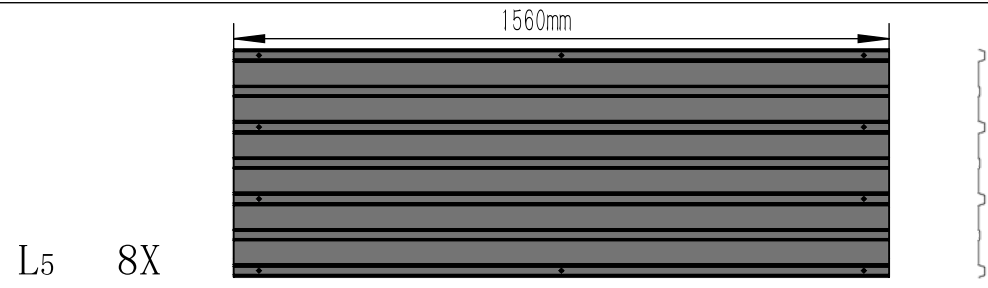
L2 1X



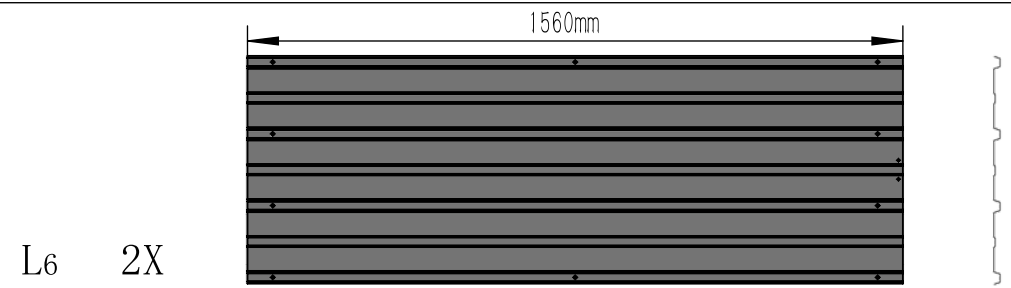
L3 1X



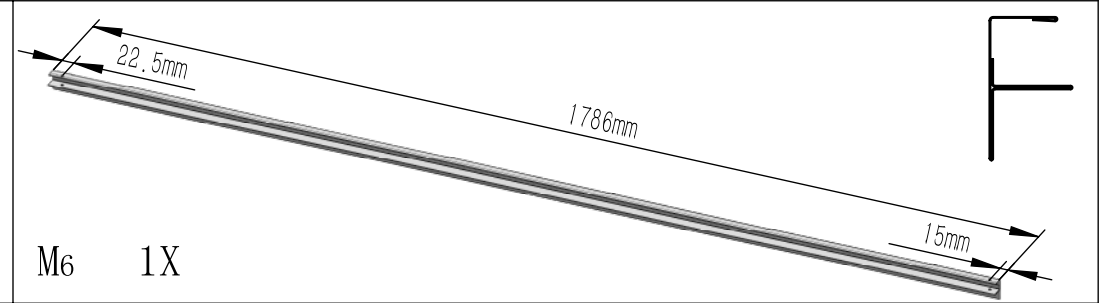
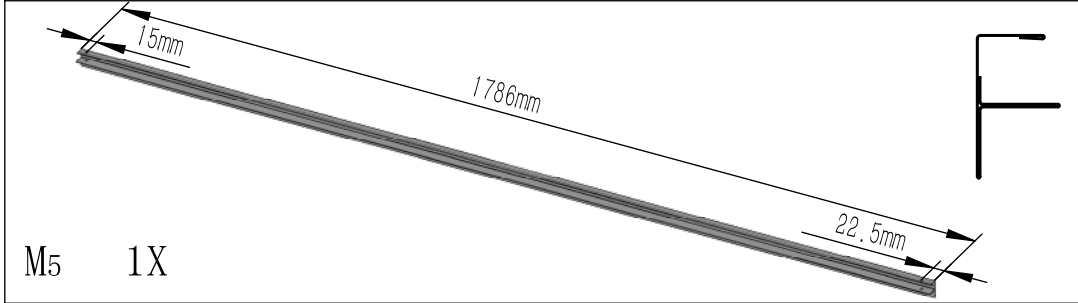
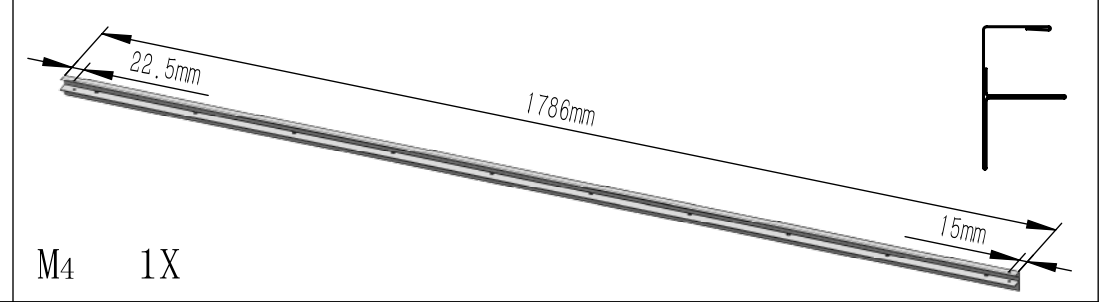
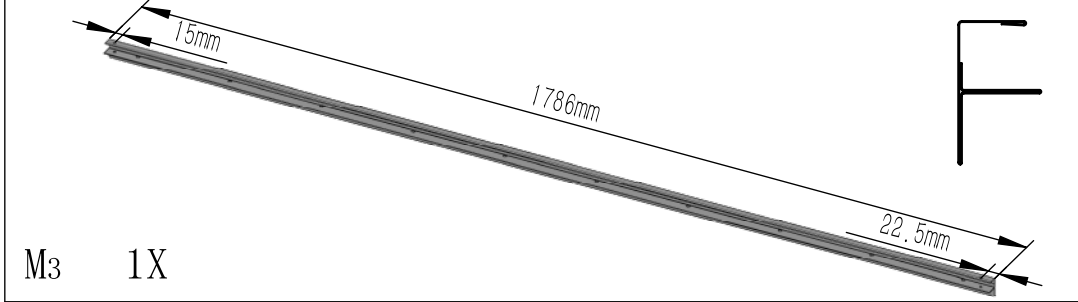
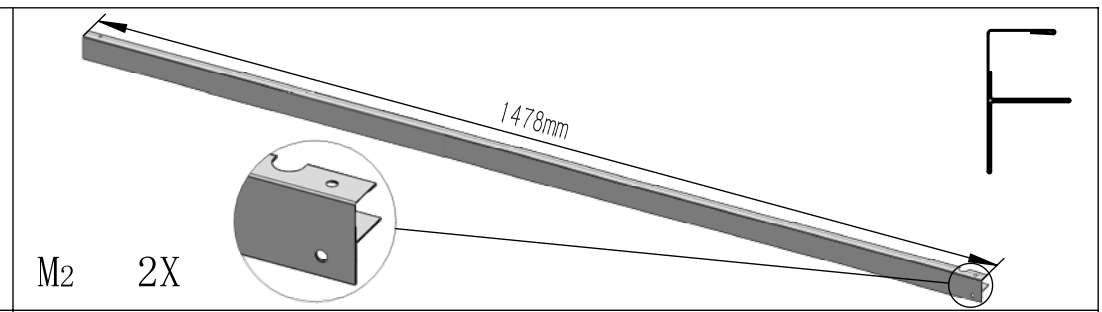
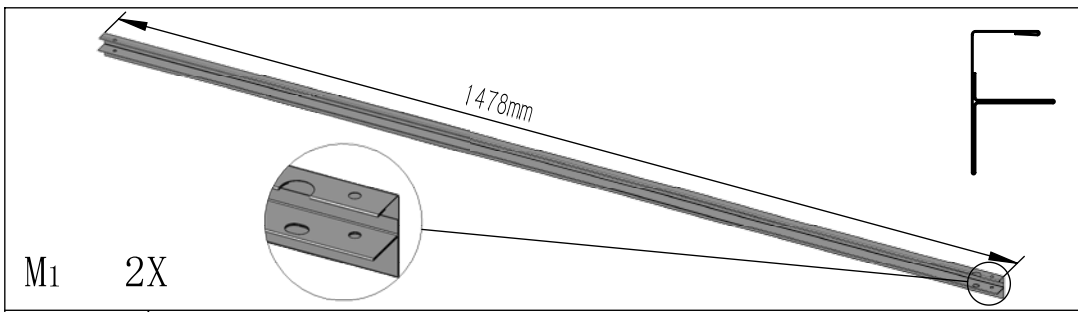
L4 1X







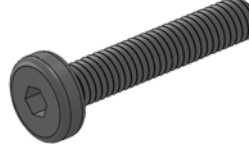

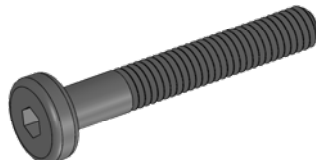
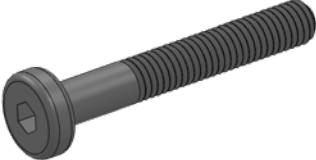






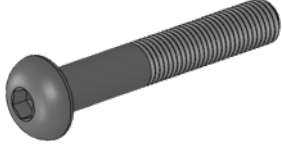
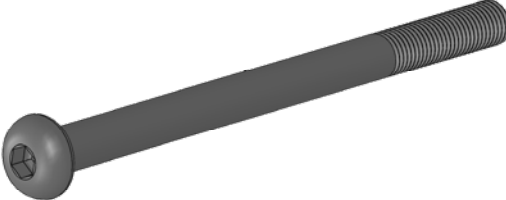




L5 8X

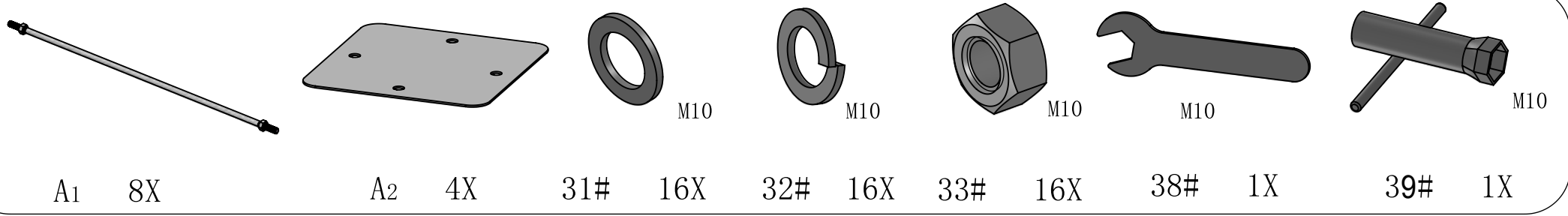


L6 2X

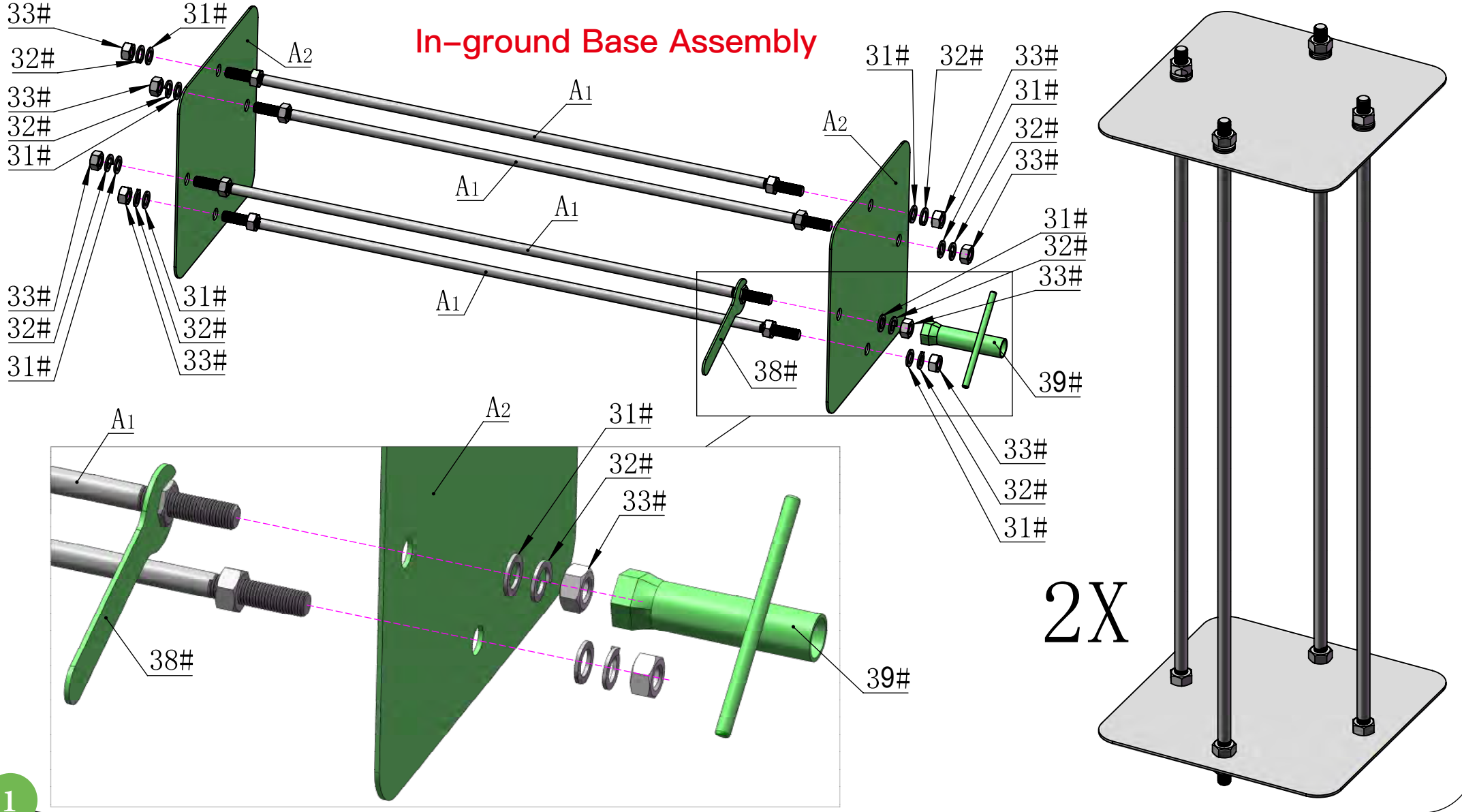


 <p>1# 8X M4*10</p>	 <p>2# 16X M4*28</p>	 <p>3# 24X M4</p>	 <p>4# 24X M4</p>
 <p>5# 48X M6*16</p>	 <p>6# 64X M6*30</p>	 <p>7# 8X M6*32</p>	 <p>8# 8X M6*38</p>
 <p>10# 12X M6*40</p>	 <p>11# 6X M6*42</p>	 <p>12# 10X M6*45</p>	 <p>13# 6X M6*48</p>
 <p>14# 12X M6*55</p>	 <p>15# 44X M6</p>	 <p>16# 6X M6</p>	 <p>17# 44X M6</p>
 <p>18# 2X M8*50</p>	 <p>19# 8X M8*115</p>	 <p>20# 12X M8</p>	 <p>21# 10X M8</p>

 22# 10X M8	 23# 8X M6*40	 24# 76X	 25# 34X M6	
 26# 76X D12/d6.5*H2	 27# 4X D17/d8.4*H2	 28# 4X D13/d6.5*H15	 29# 8X 6*70	
 30# 8X	 31# 16X M10	 32# 16X M10	 33# 16X M10	
 34# 1X S4	 35# 1X M6	 36# 1X S5	 37# 1X M8	
 38# 1X M10	 39# 1X M10	 40# 2X M8*60	 41# 2X M8	 42# 1X

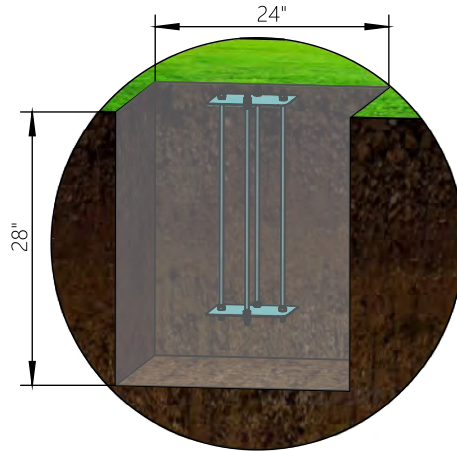
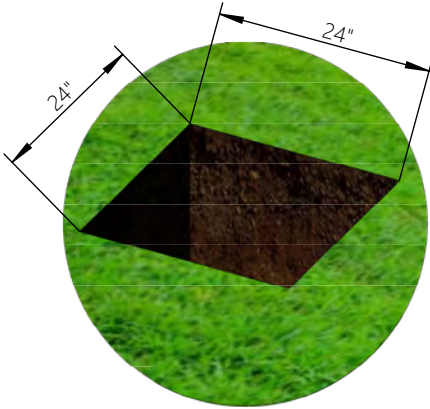


In-ground Base Assembly

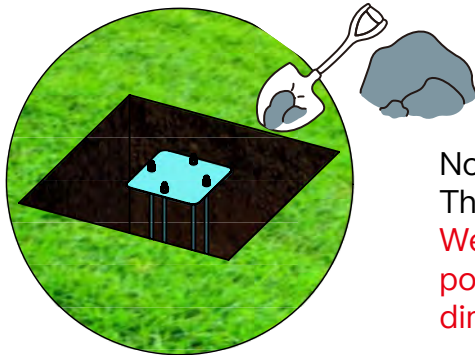
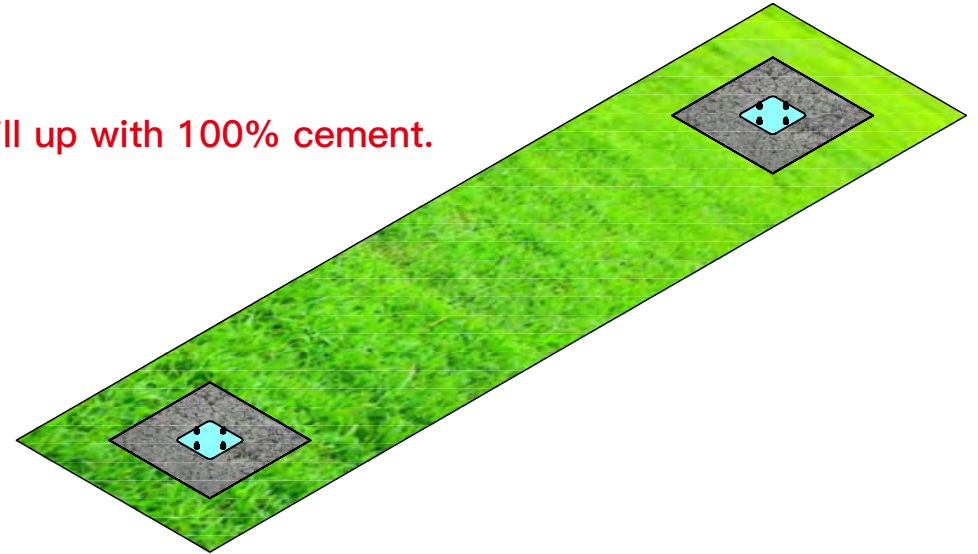


In-ground Base Assembly

Dig a hole (24"x24" xH 28")

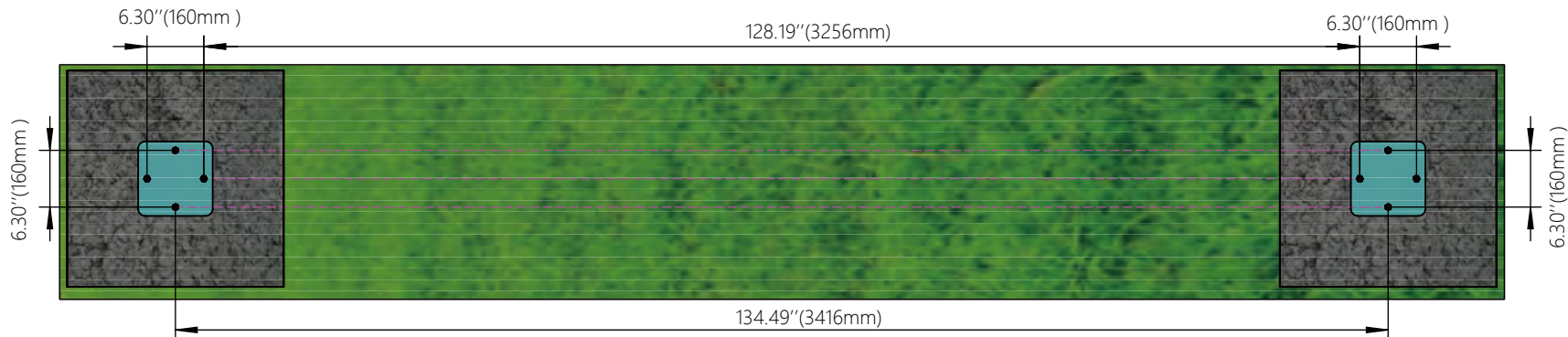


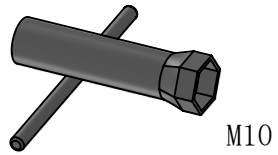
Fill up with 100% cement.



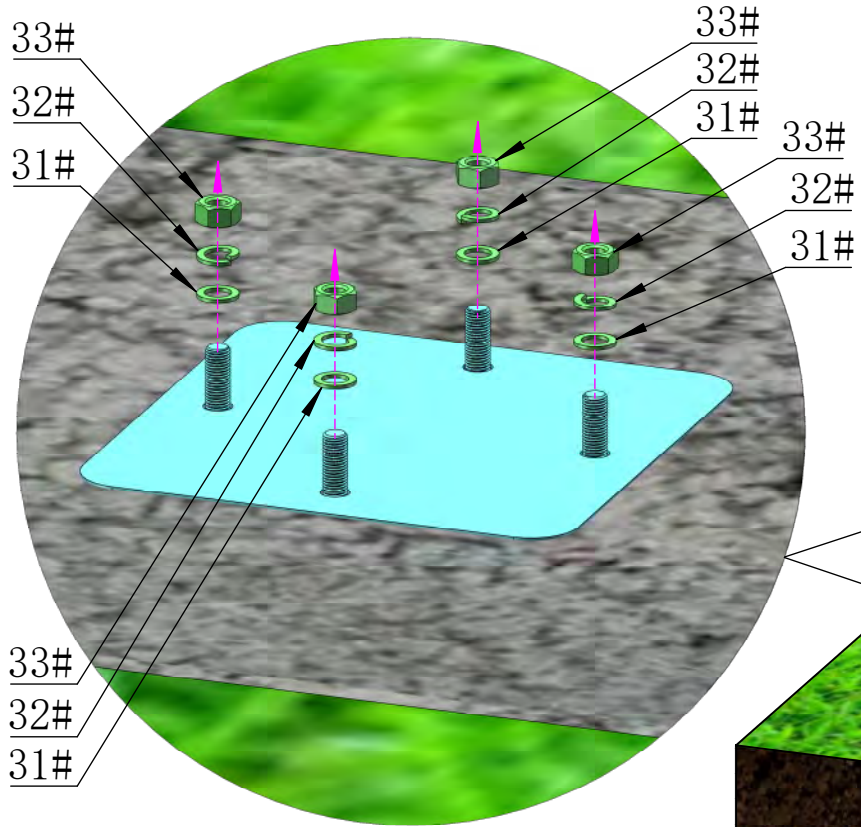
Note: Before putting the in-ground base down, make sure that it's horizontal to the ground. The gazebo can only be installed after the concrete has completely solidified.

We recommend that before installing the 2 in-ground bases, you first assemble the 2 rear pole and the rear crossbeam. This will help determine the installation position and dimensions of the in-ground bases more accurately.

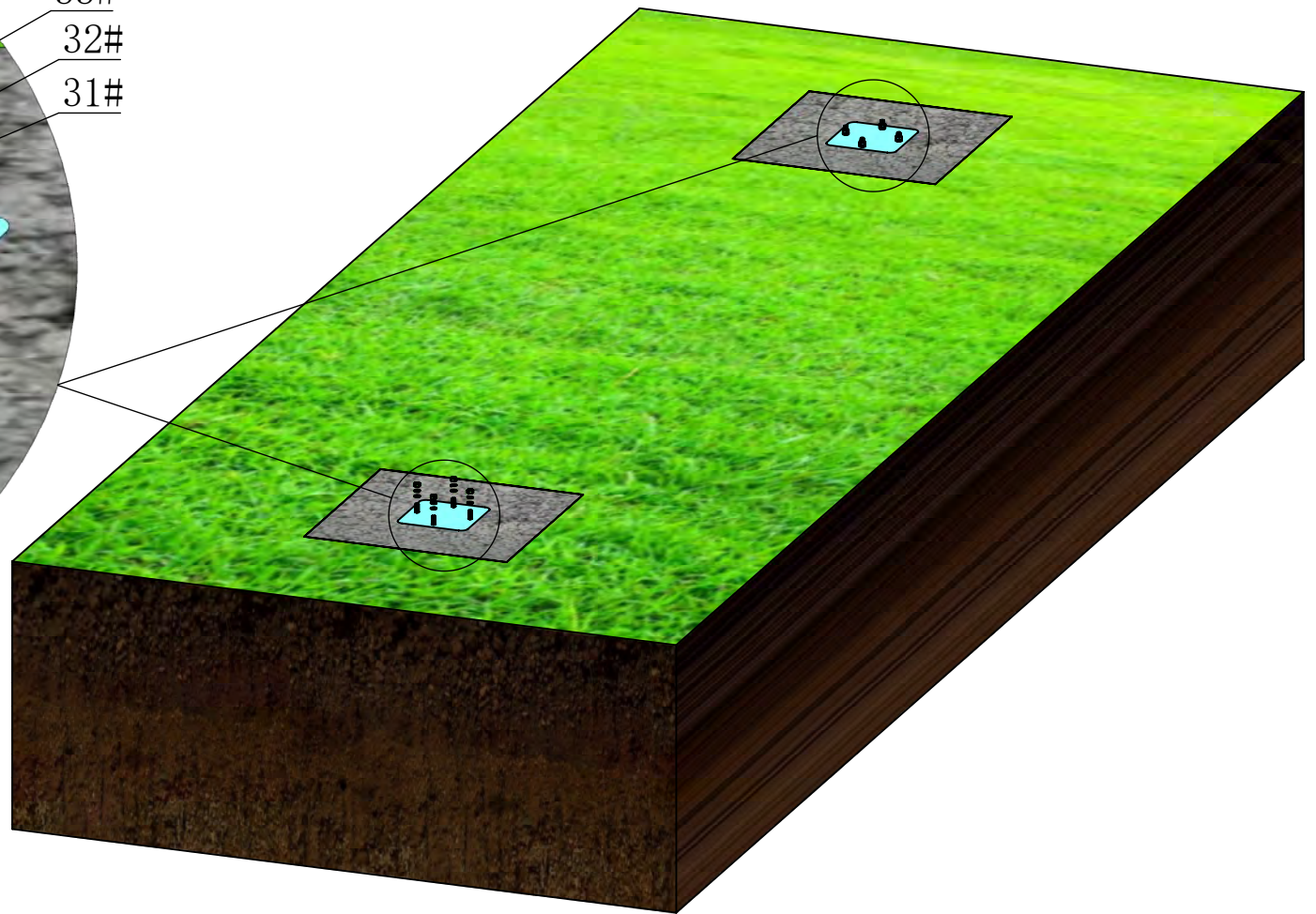


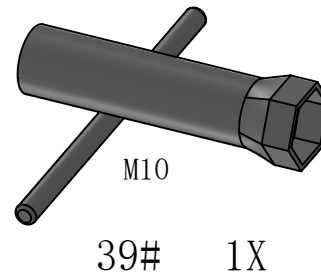
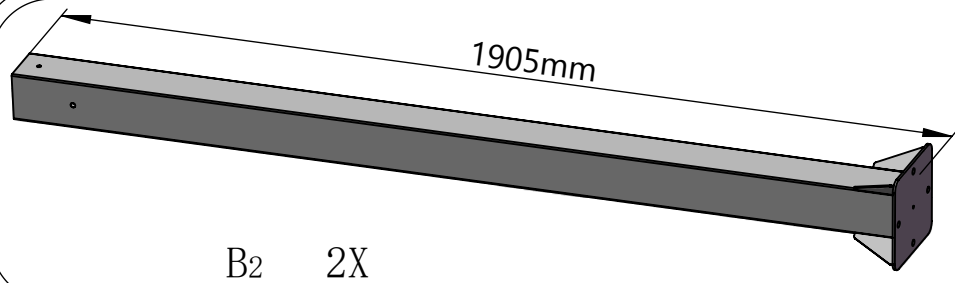


39# 1X



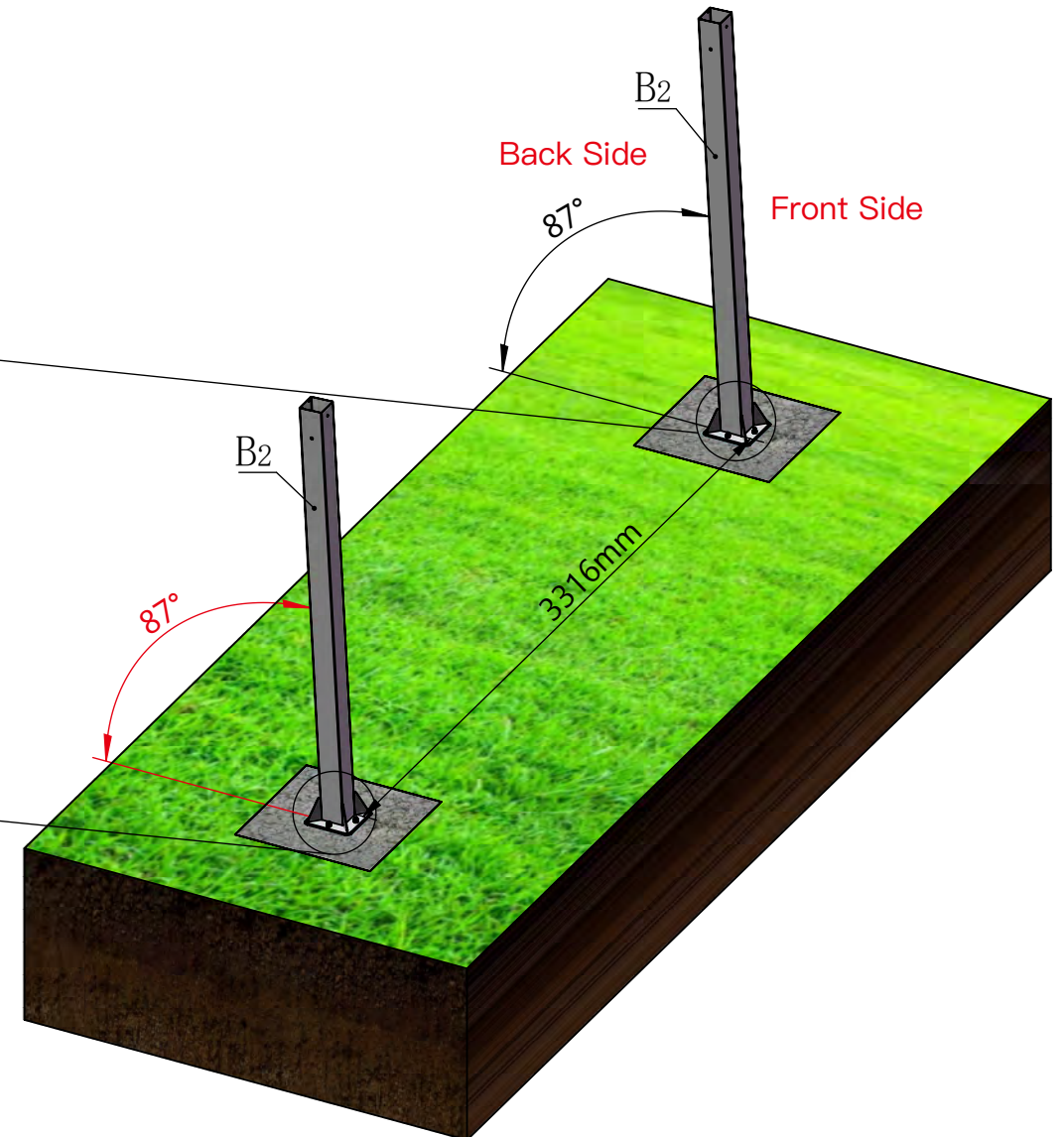
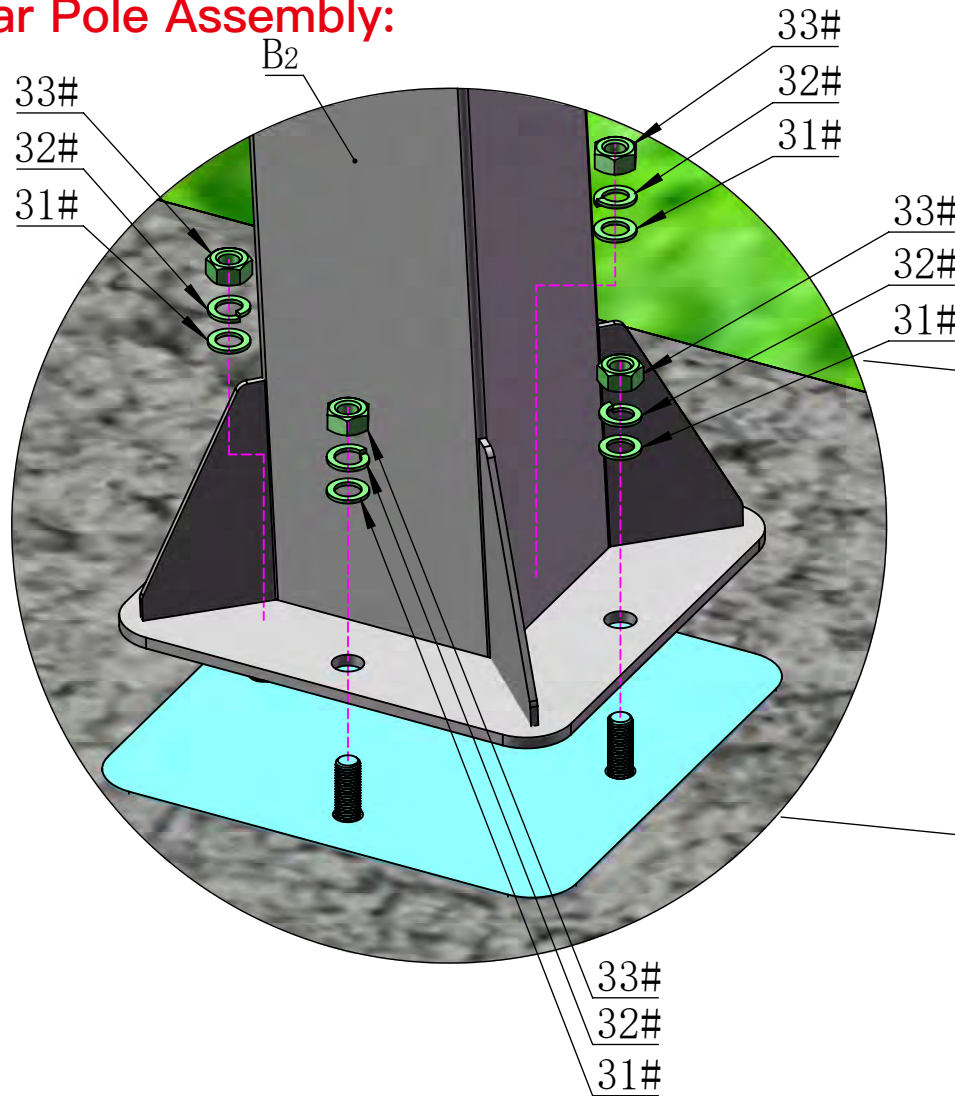
After the concrete has completely solidified, loosen the washers and nuts on the base to assemble the rear pole (see the next page).

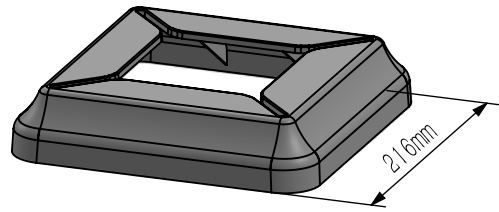




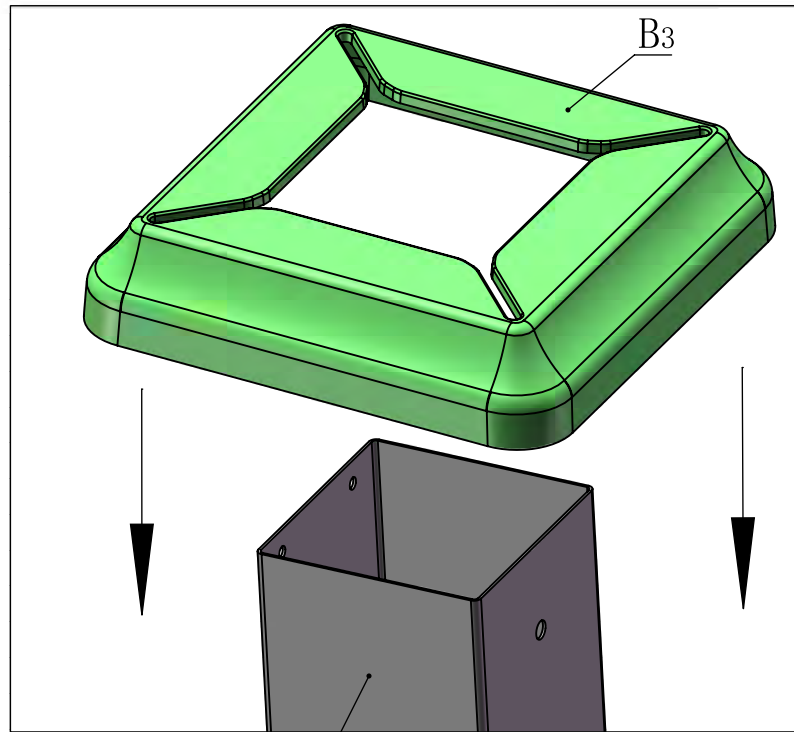
Note the inclination angles of the two rear poles during installation. You can put on the base cover #B3 first(see the next page).

Rear Pole Assembly:

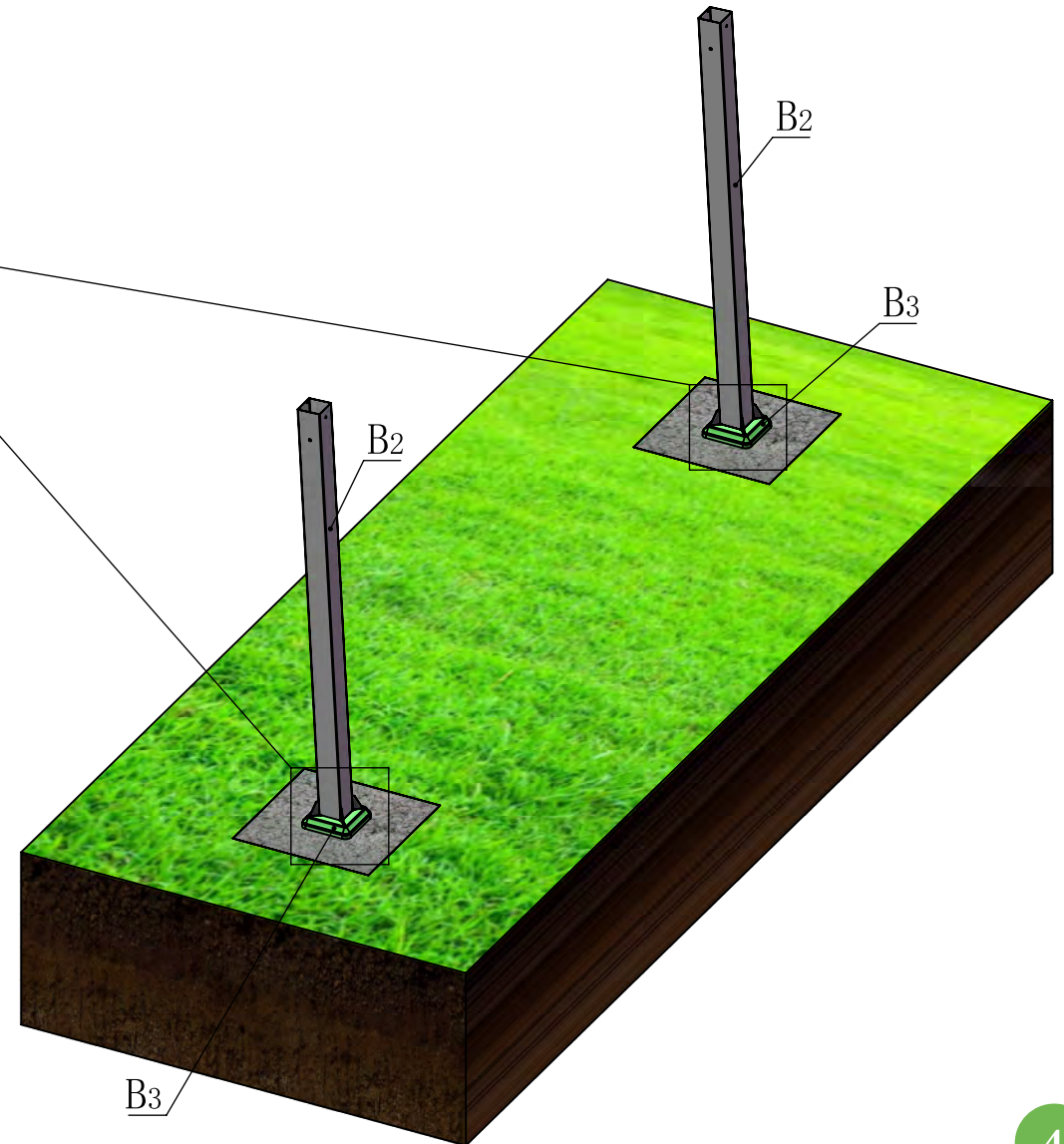


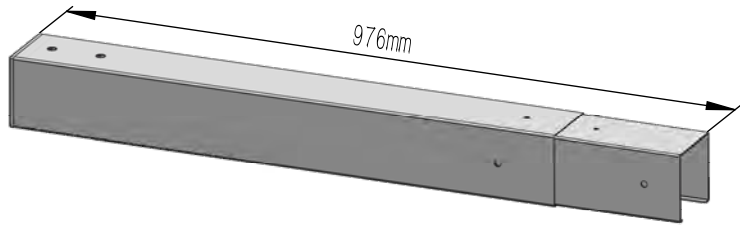


B3 2X

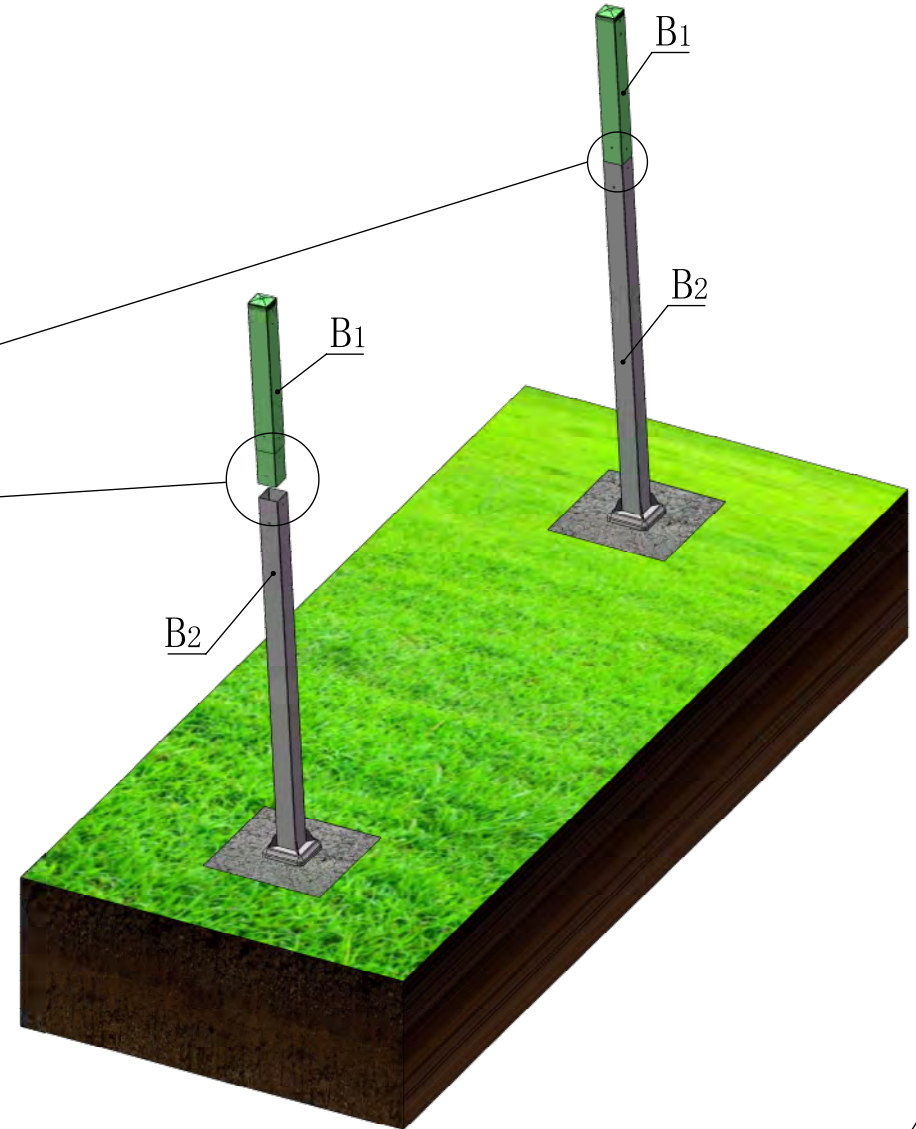
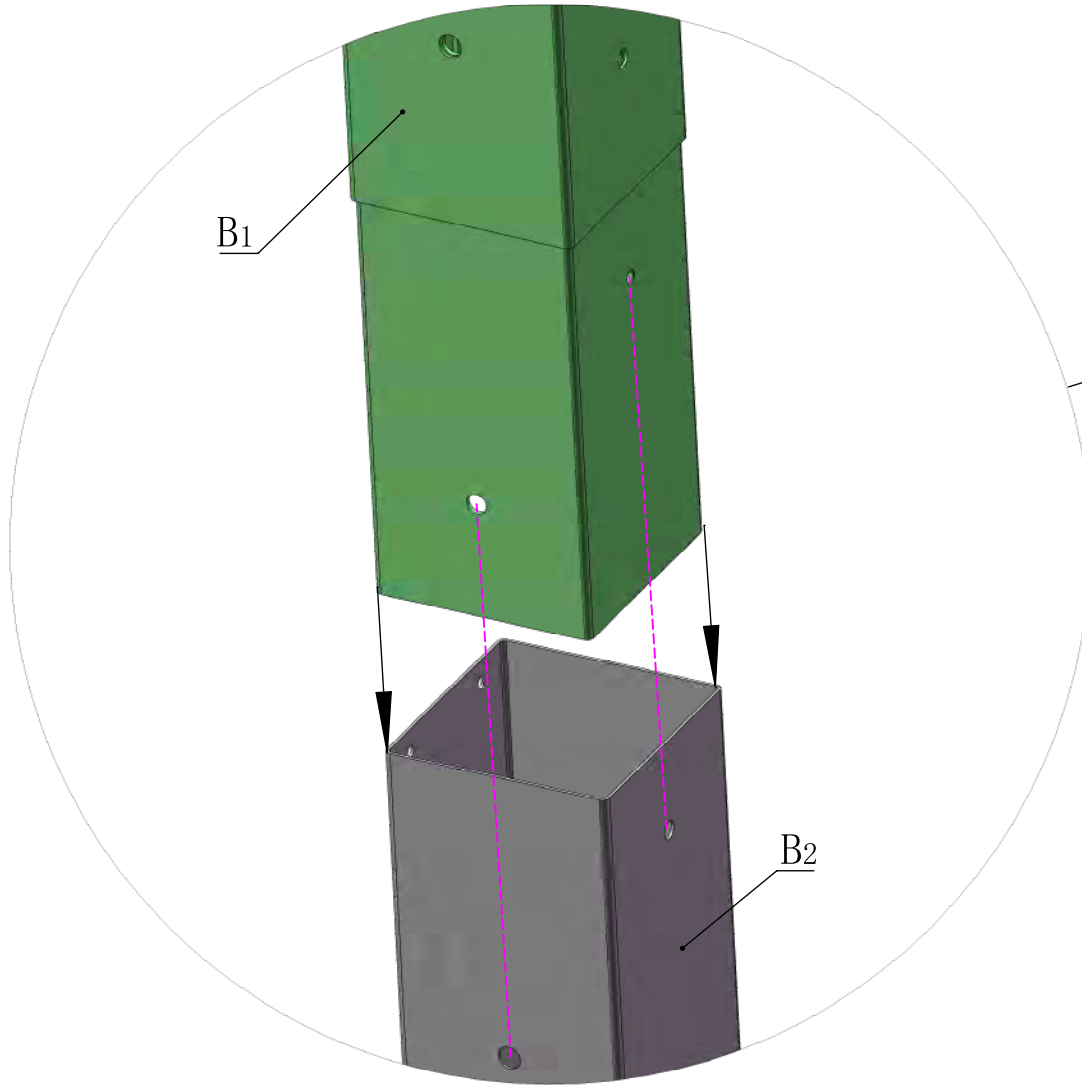


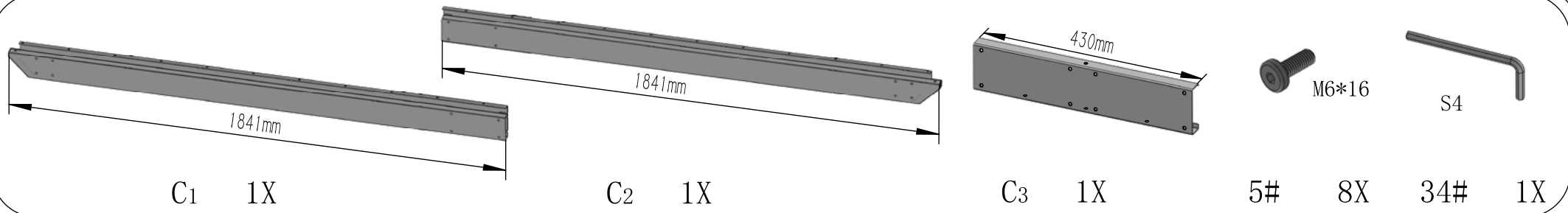
B2



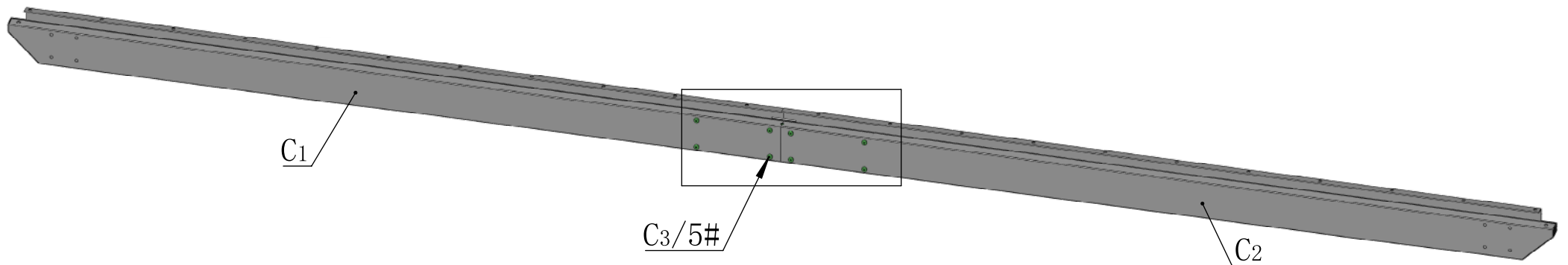
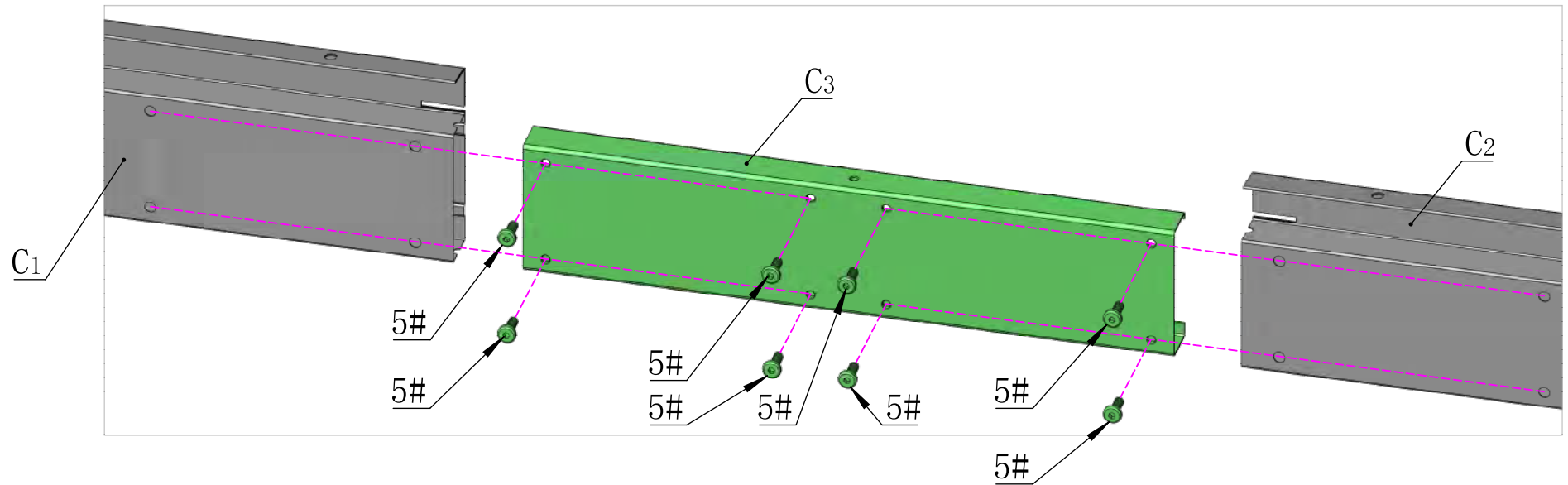


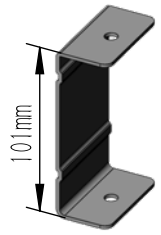
B1 2X





Rear Beam Assembly:





C4 1X



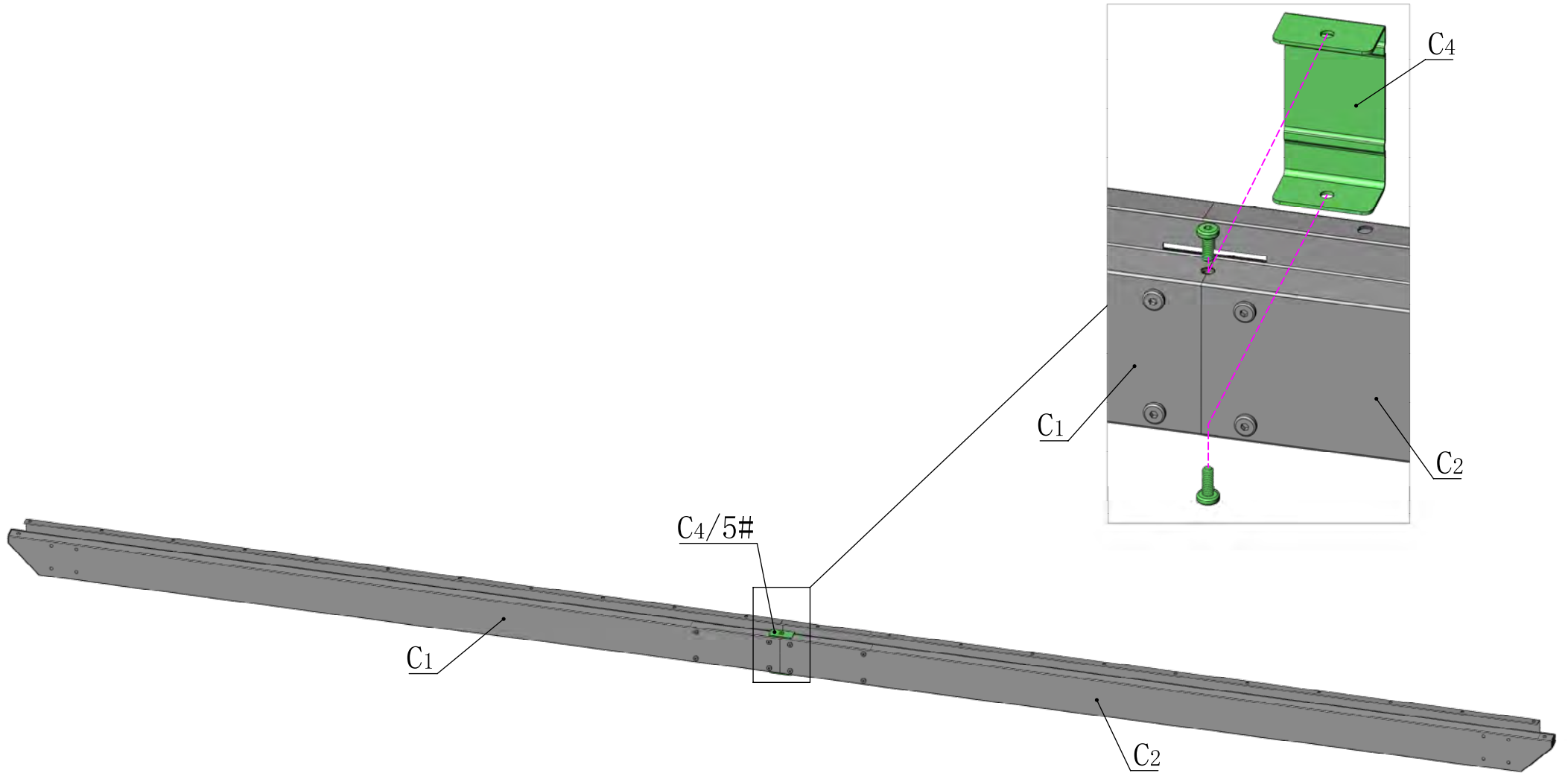
M6*16

5# 2X



S4

34# 1X





M6*40



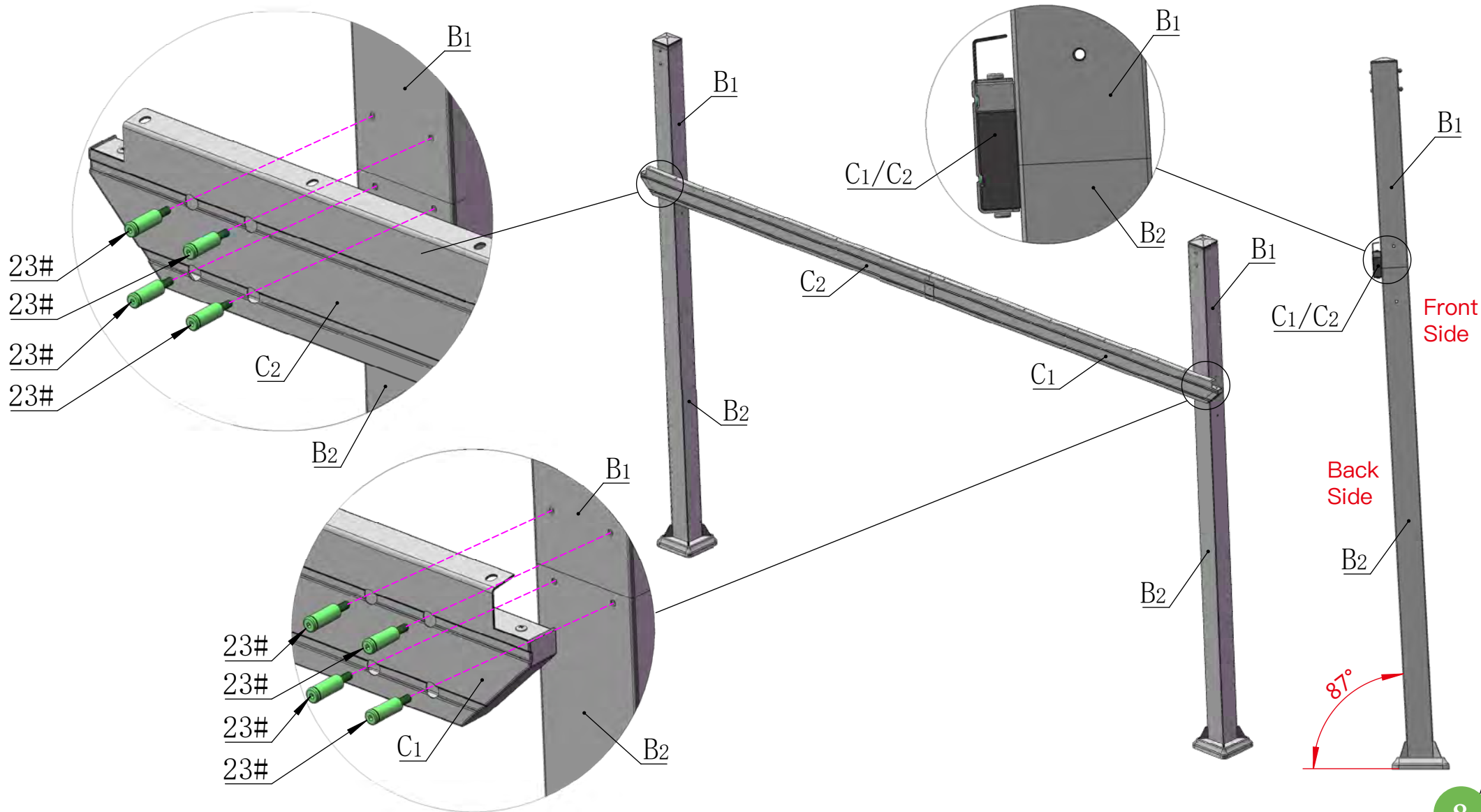
S4

23#

8X

34#

1X





M6*16



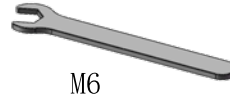
M6



M6



S4



M6

5#

4X

15#

4X

17#

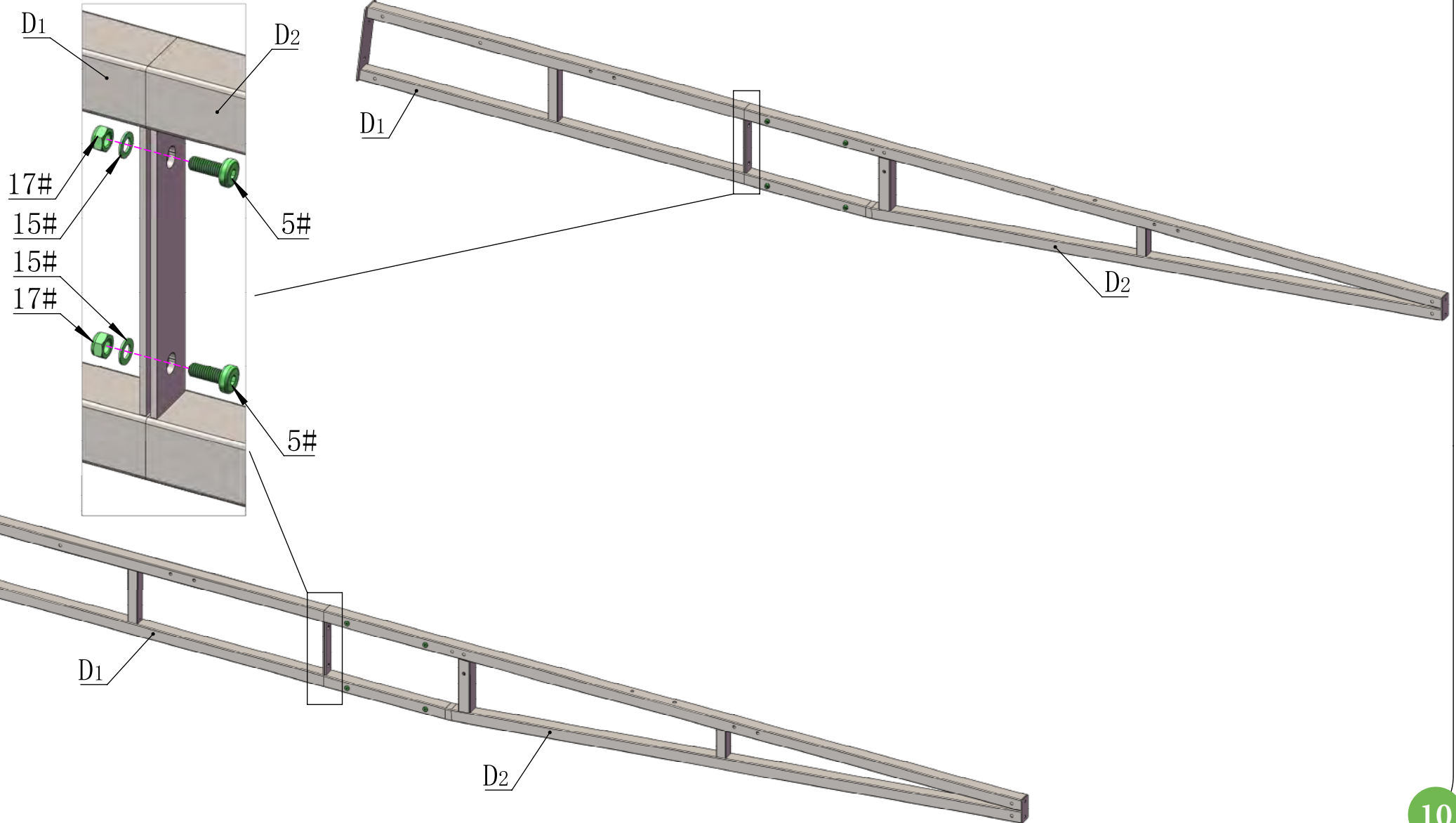
4X

34#

1X

35#

1X





M6*16



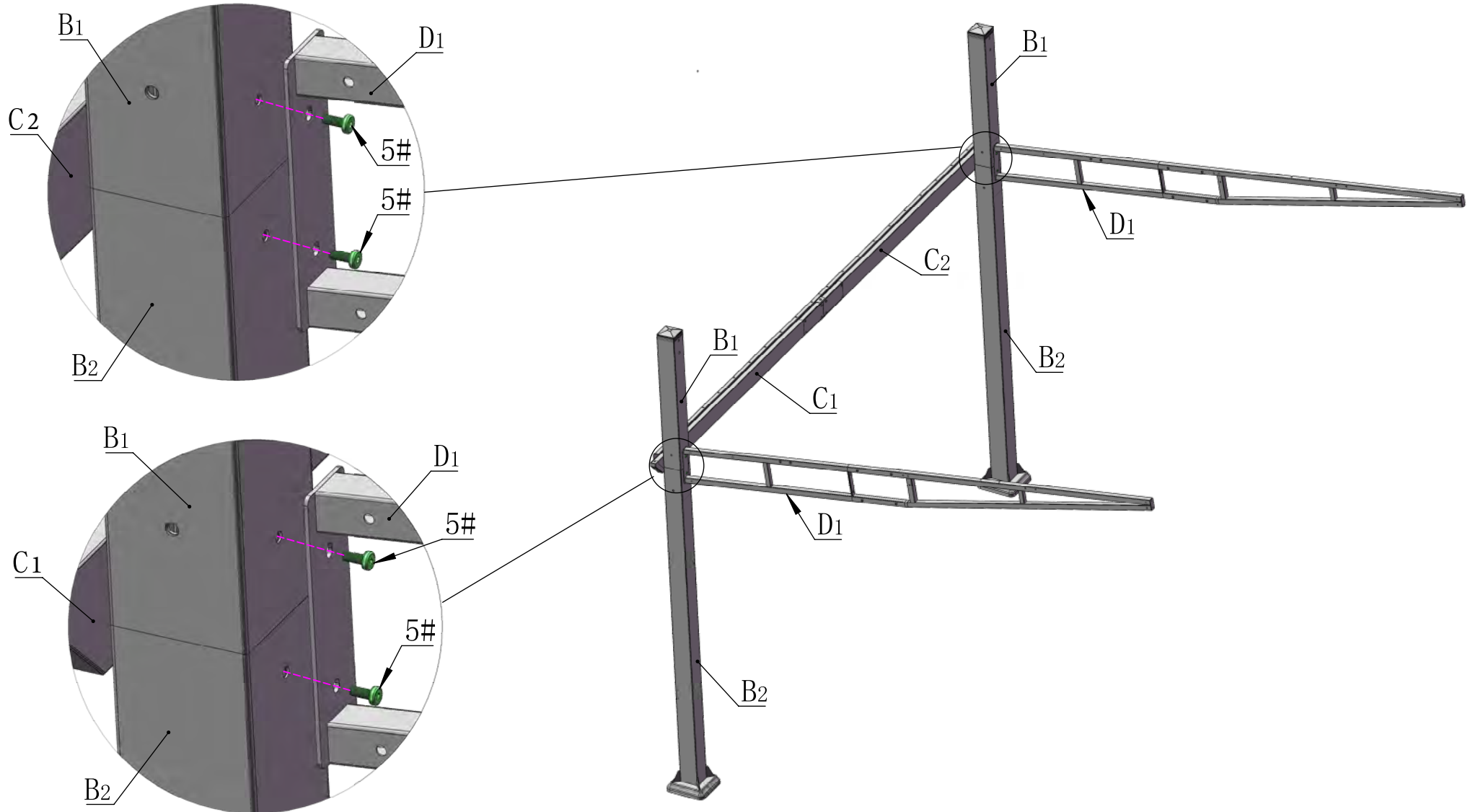
S4

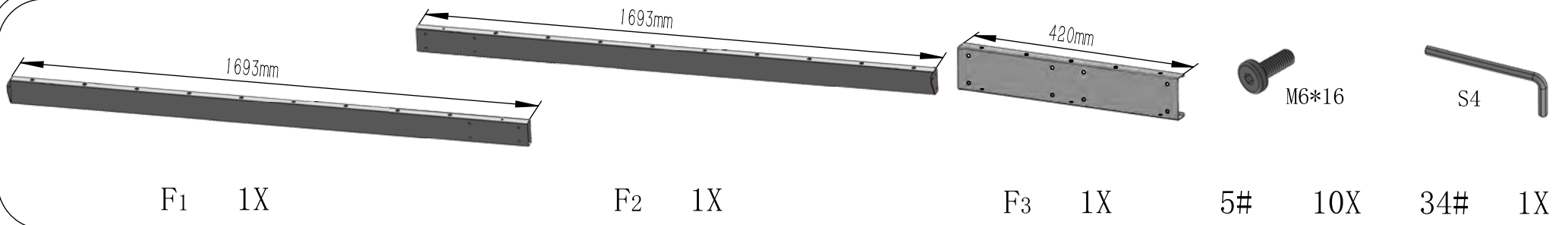
5#

4X

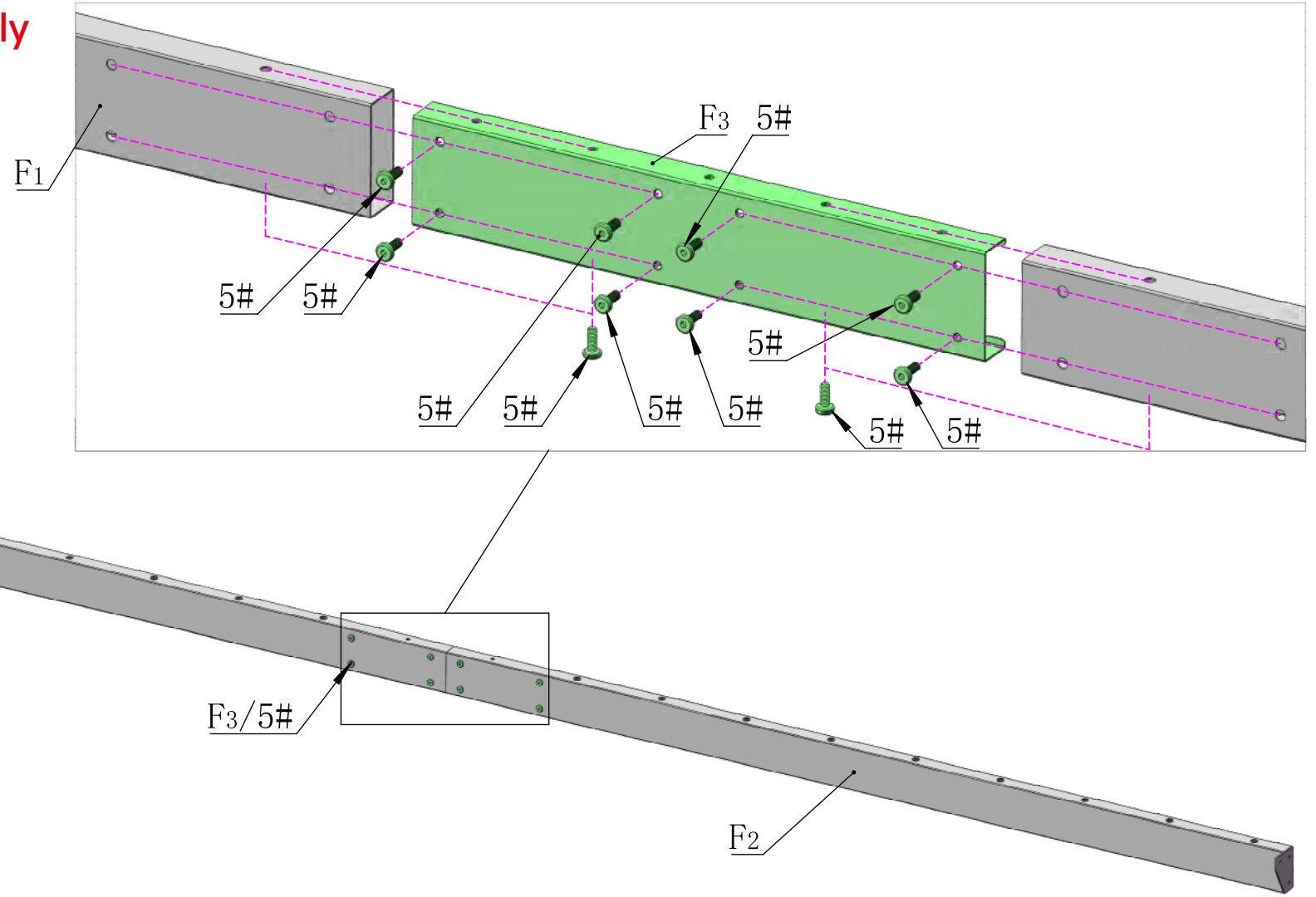
34#

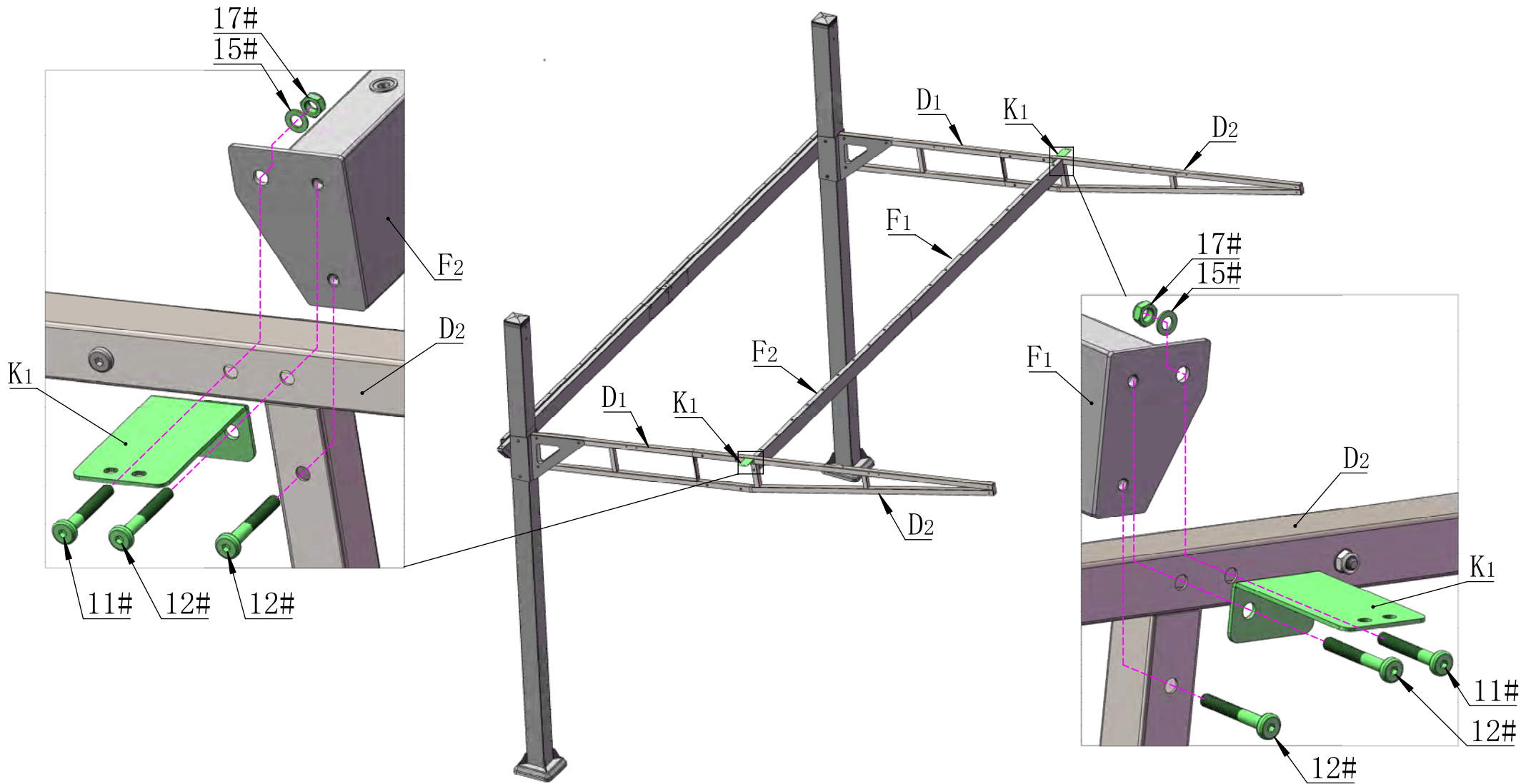
1X

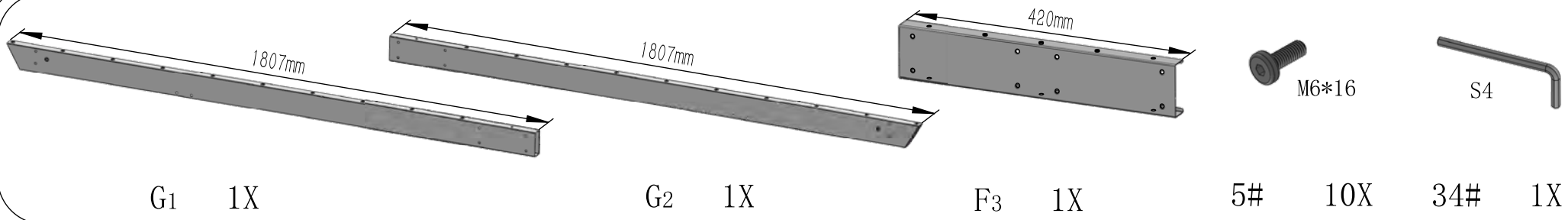




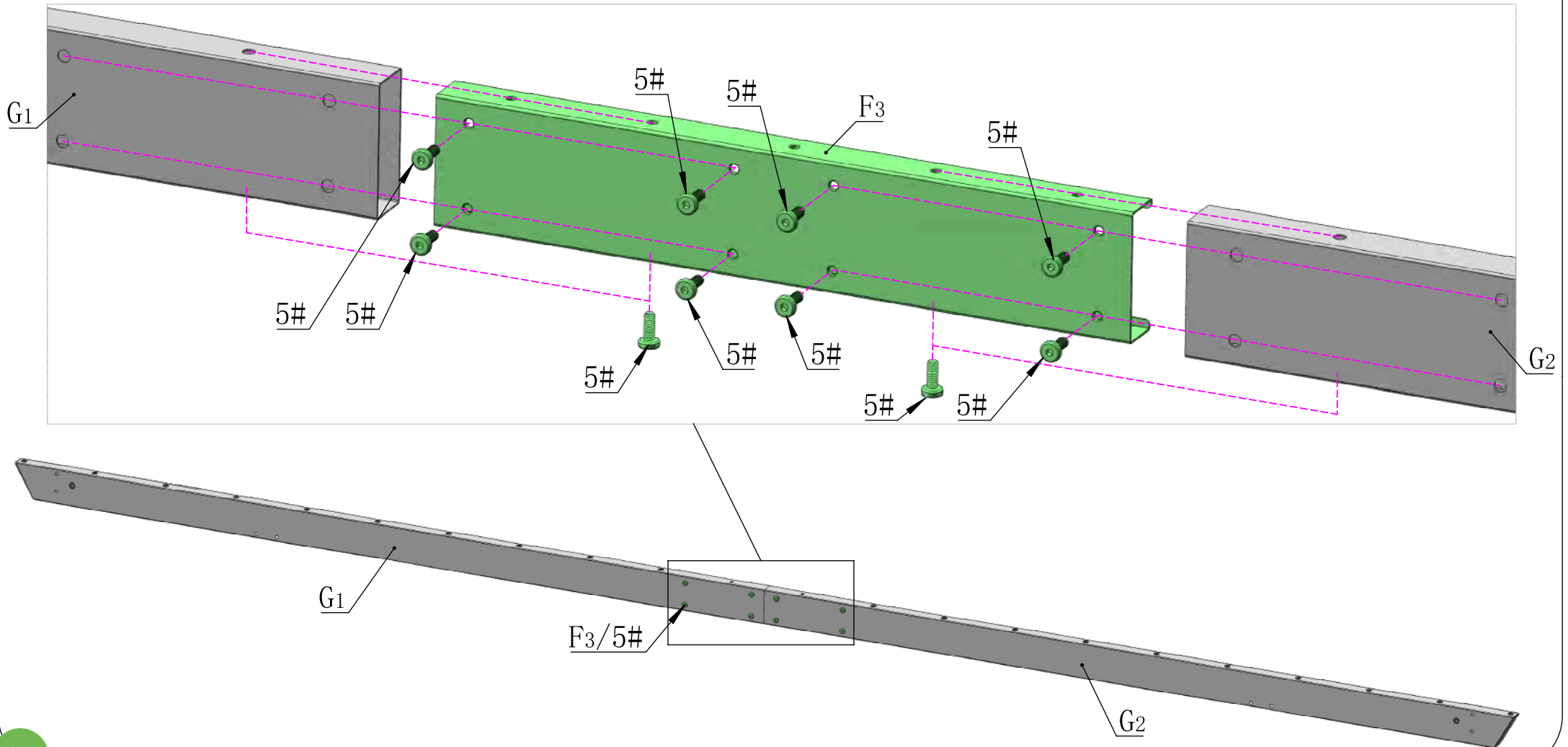
Center beam assembly

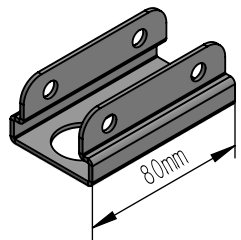




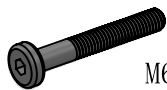


Front Beam Assembly:





G3 2X



M6*42

11# 4X



M6

15# 4X



M6

17# 4X



S4

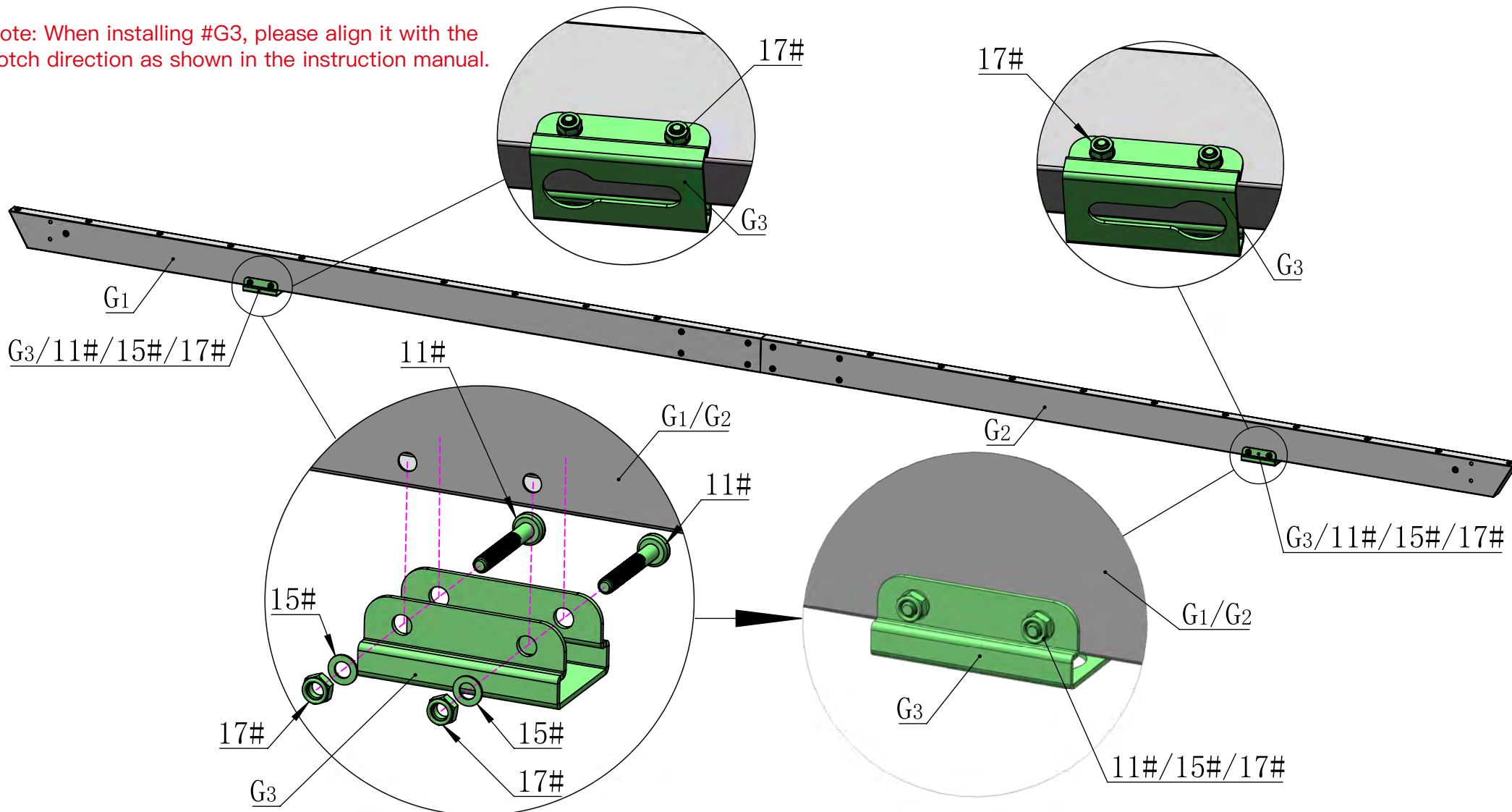
34# 1X



M6

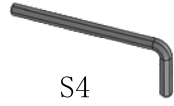
35# 1X

Note: When installing #G3, please align it with the notch direction as shown in the instruction manual.





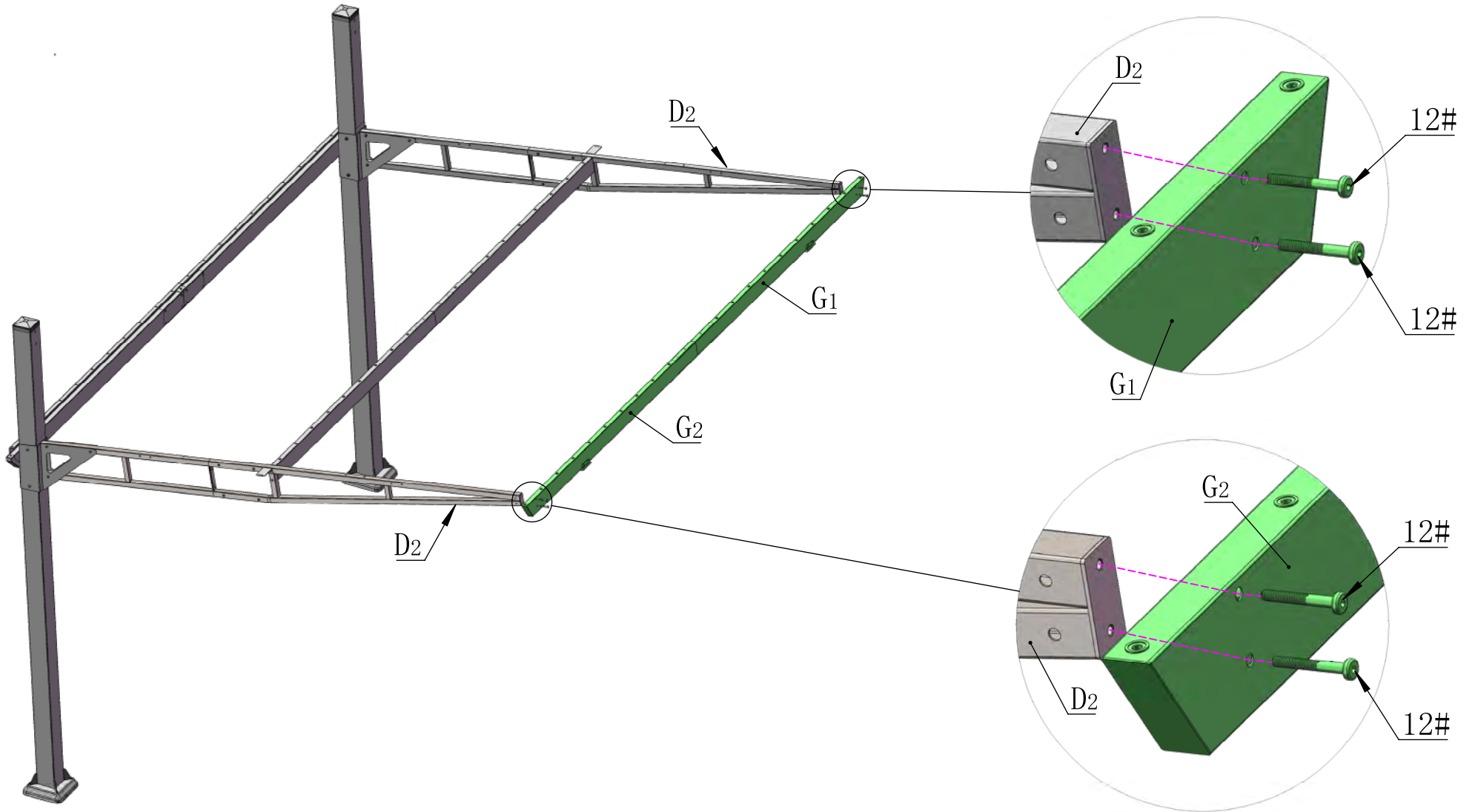
M6*45

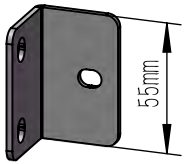


S4

12# 4X

34# 1X





K2 2X



M6*16

5# 2X



M6*40

10# 4X



M6

15# 4X



M6

17# 4X



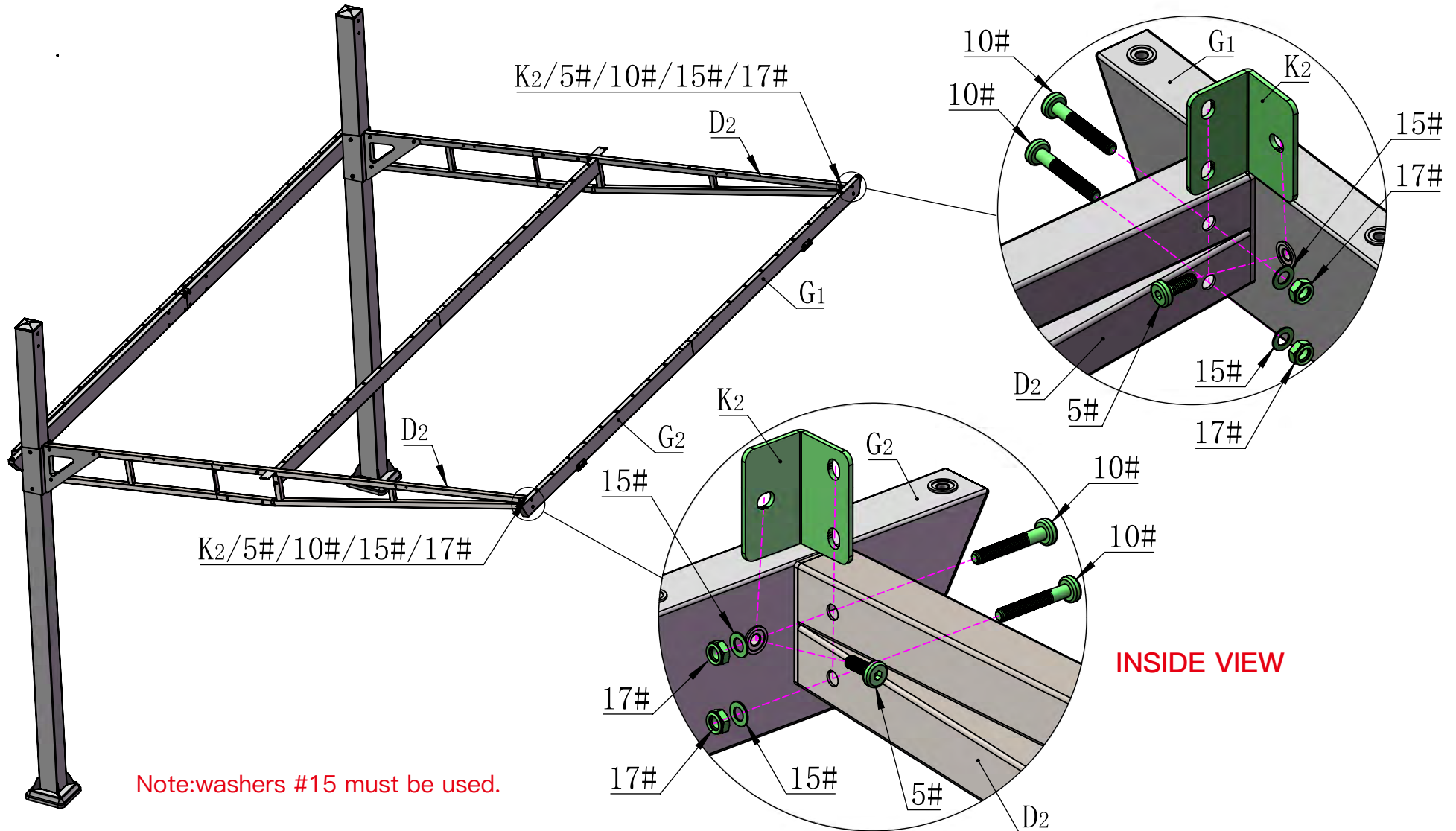
S4

34# 1X

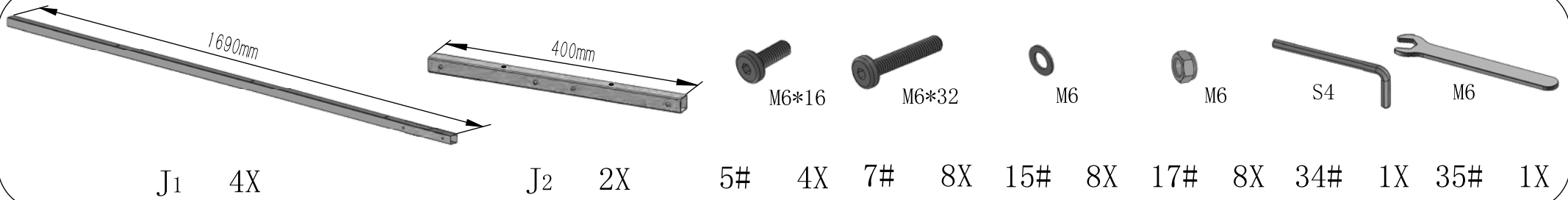


M6

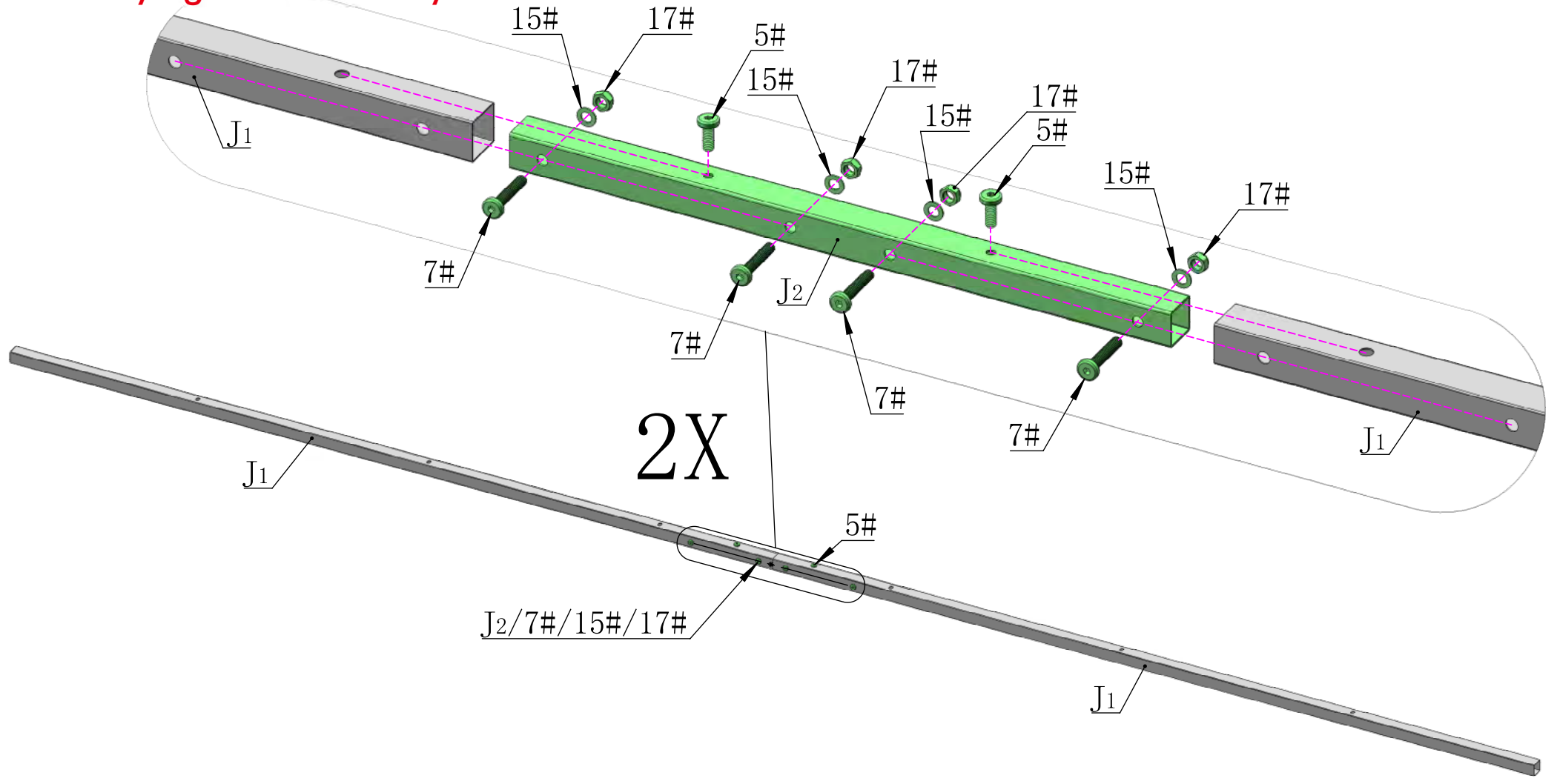
35# 1X

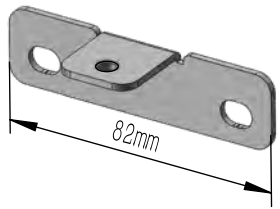


Note:washers #15 must be used.



Solidifying Bar Assembly





J3 4X



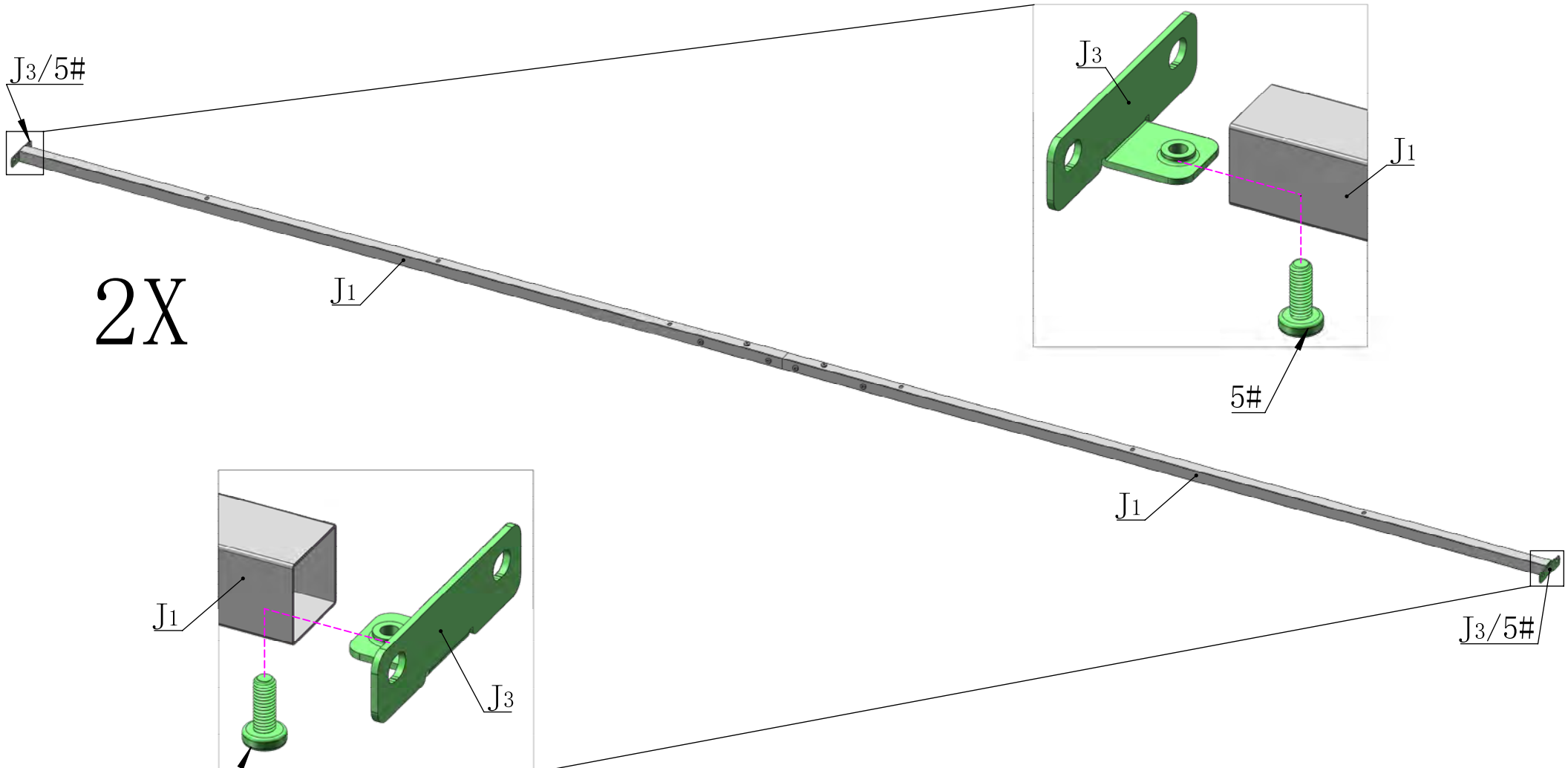
M6*16

5# 4X



S4

34# 1X



2X

Note: The installation direction of part #J3.



M6*40

10#



M6

8X

15#

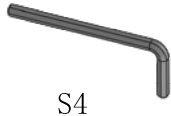


M6

8X

17#

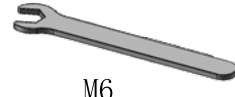
8X



S4

34#

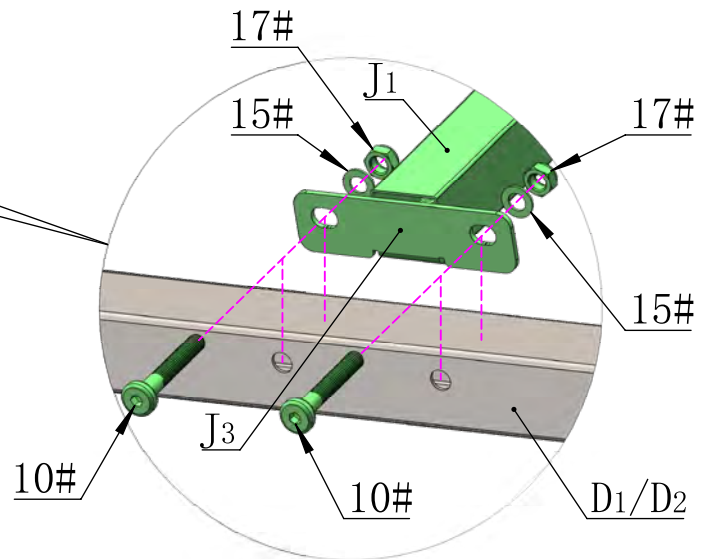
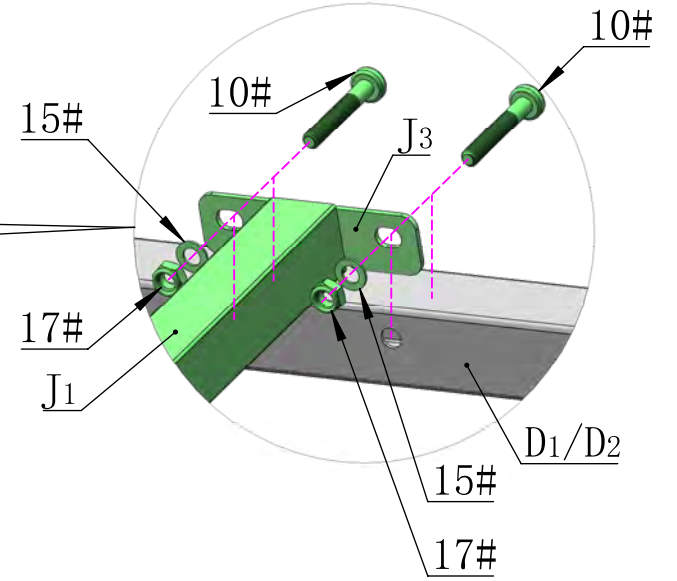
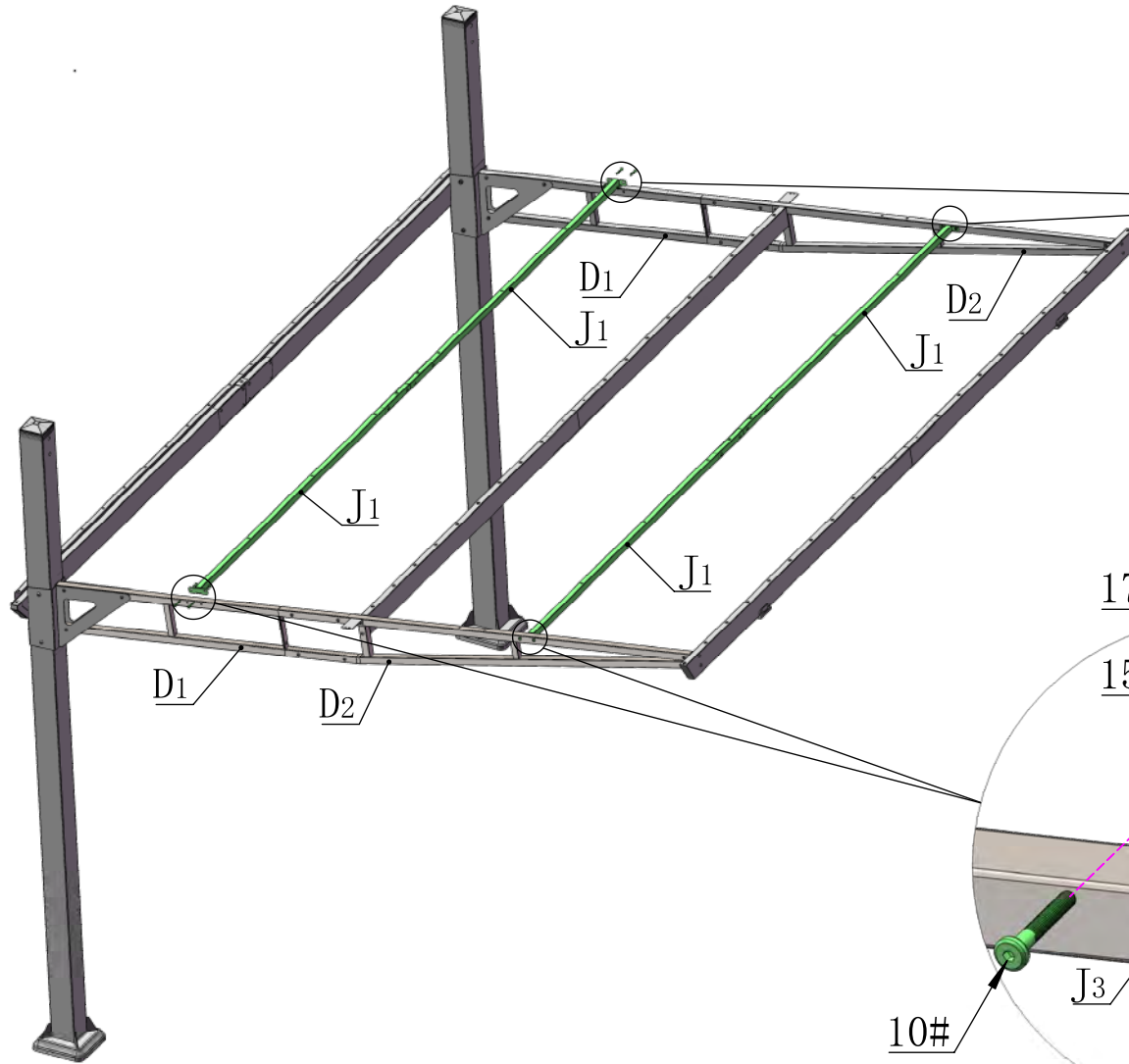
1X

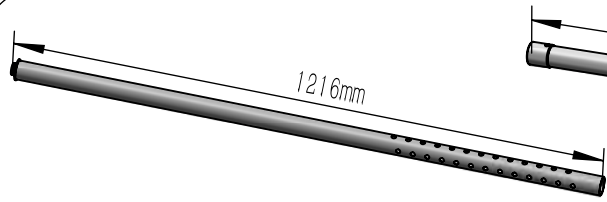


M6

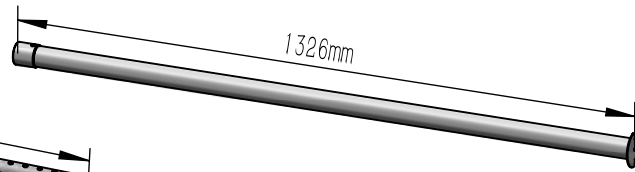
35#

1X





H1 2X



H2 2X



20# 2X

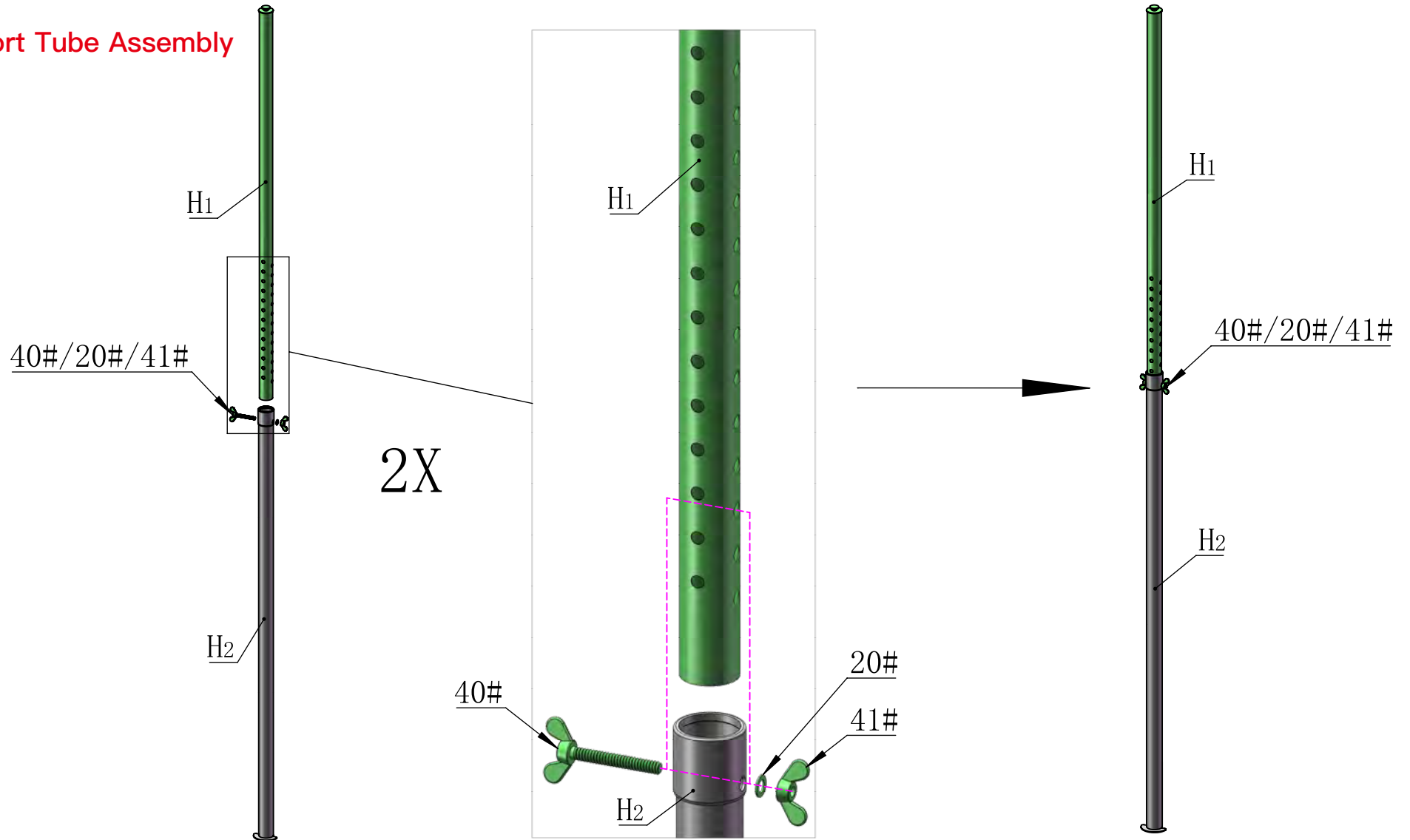


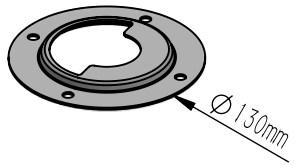
40# 2X



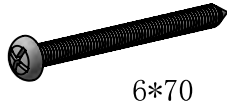
41# 2X

Support Tube Assembly





G4 2X

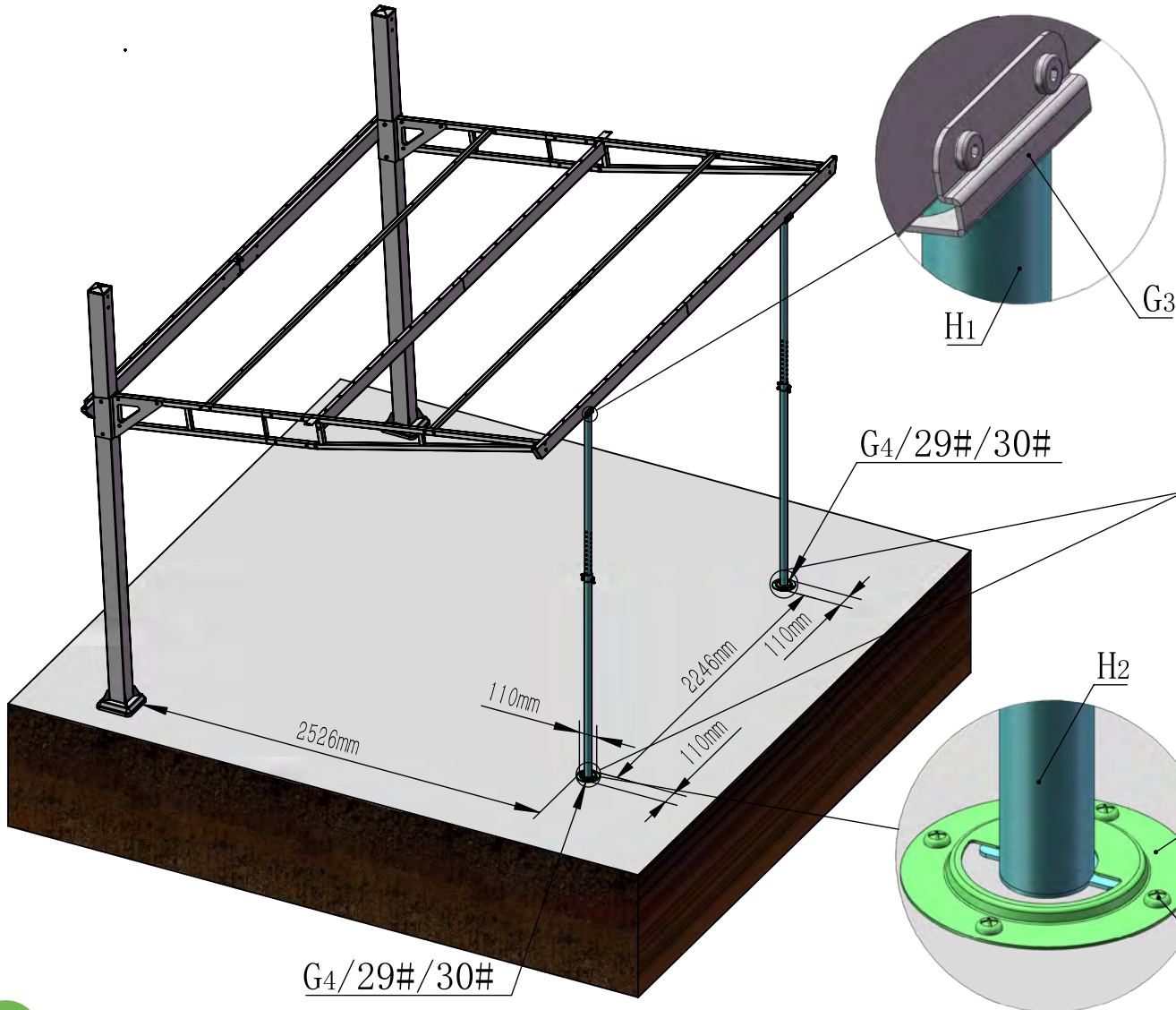


29# 8X

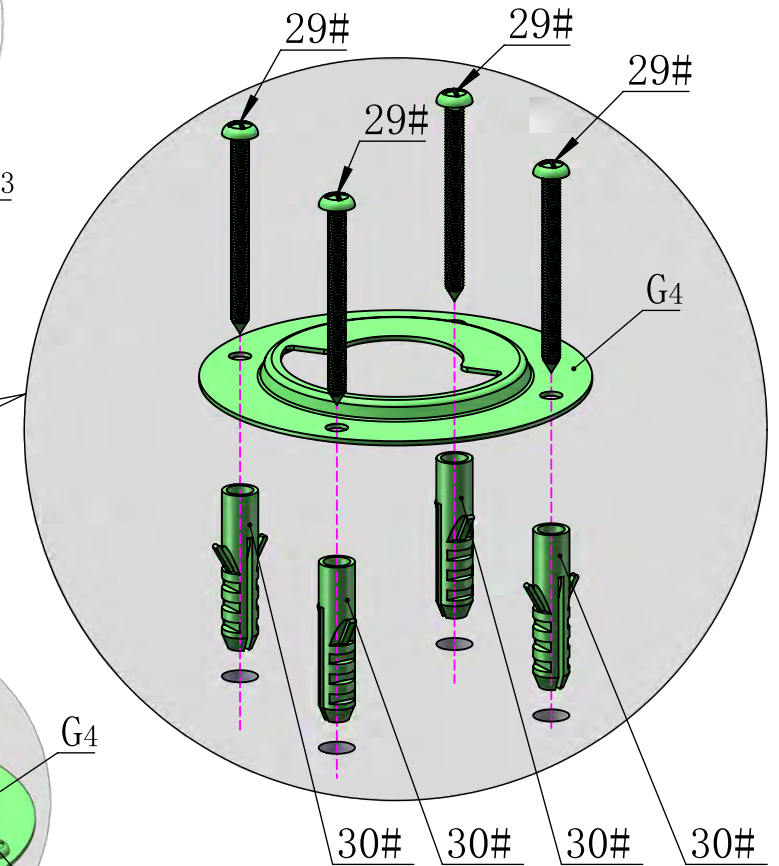


30# 8X

Note: The expansion screws in the picture are mainly used for fixing on concrete ground. In this scenario, fixing holes need to be drilled in the ground. If it is grassland, you need to dig holes and make concrete inground base to assemble the support tube bases.



You can first install the 2 front support tubes to determine the position of the bases #G4. See the next page.

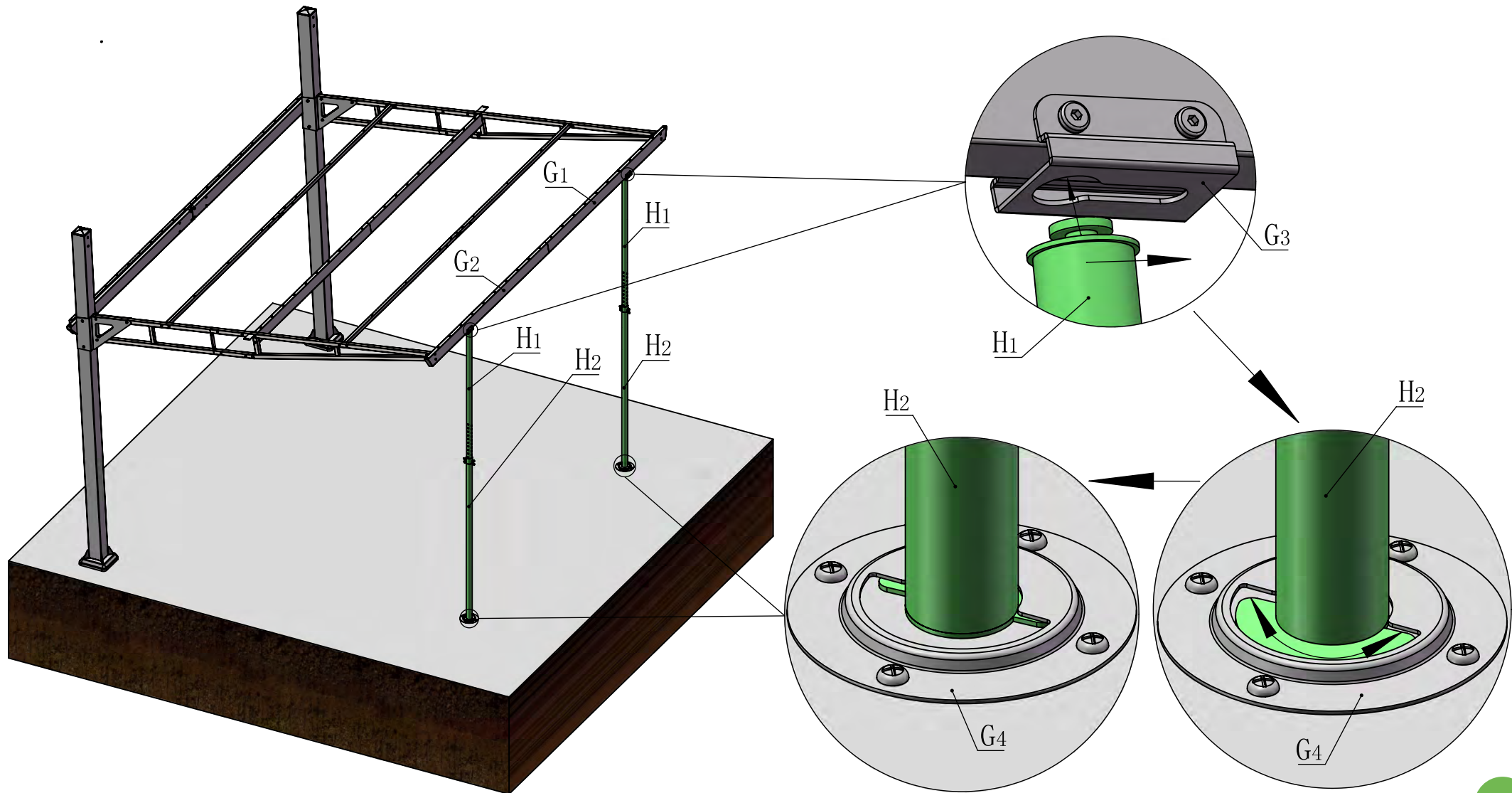


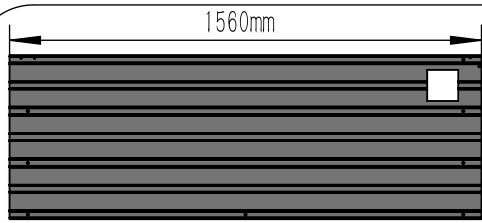
Assemble the front support tubes.

Step 1: Insert the top of the front support tube into the circular opening of #G3, then slide it inward to secure the top part of the tube.

Step 2: Align the semicircular base at the bottom of the tube exactly with the semicircular opening of #G4.

Step 3: Rotate the tube to snap the semicircular base at its bottom into #G4, completing the fixation of the support tube.

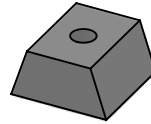




L1 1X



6# 2X



24# 2X



25# 2X



26# 2X

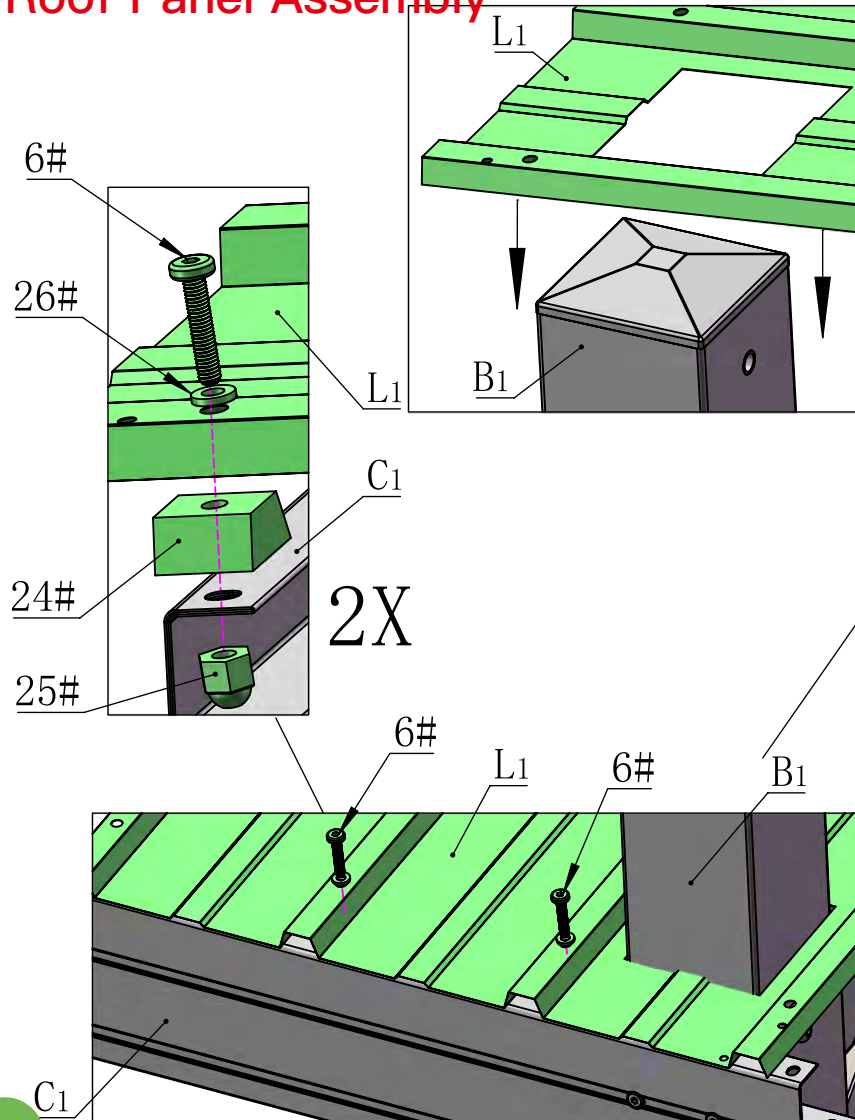


34# 1X

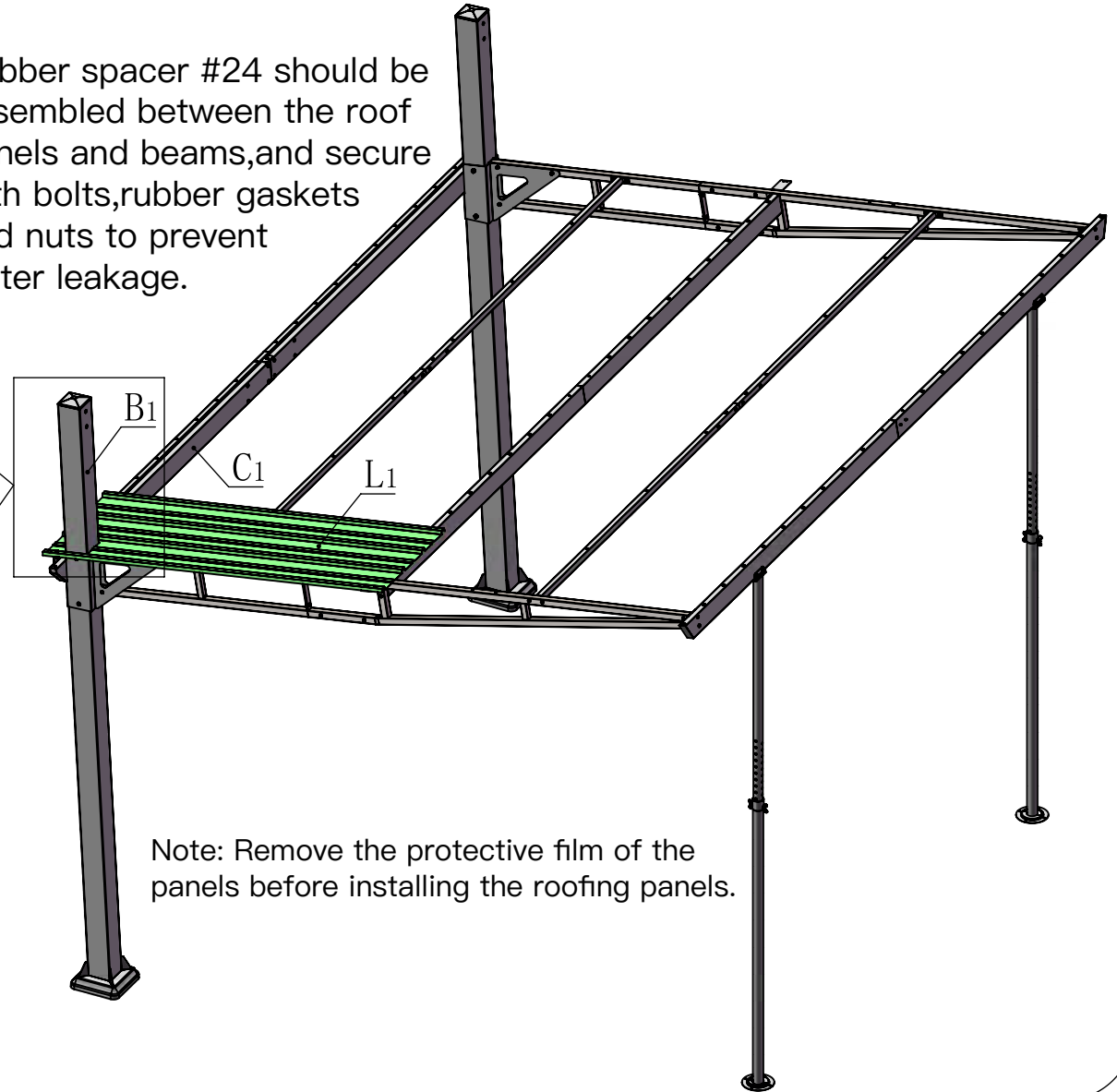


37# 1X

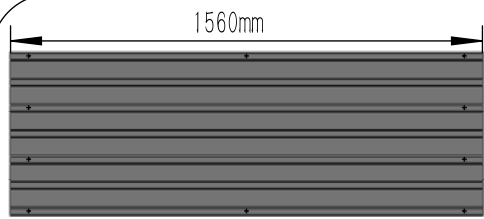
Roof Panel Assembly



Rubber spacer #24 should be assembled between the roof panels and beams, and secure with bolts, rubber gaskets and nuts to prevent water leakage.



Note: Remove the protective film of the panels before installing the roofing panels.



L5 2X



M6*30

6#

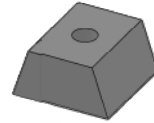
6X



M6*55

14#

2X



24#

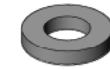
8X



M6

25#

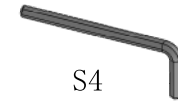
8X



D12/d6.5*H2

26#

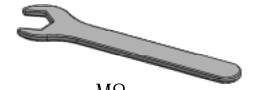
8X



S4

34#

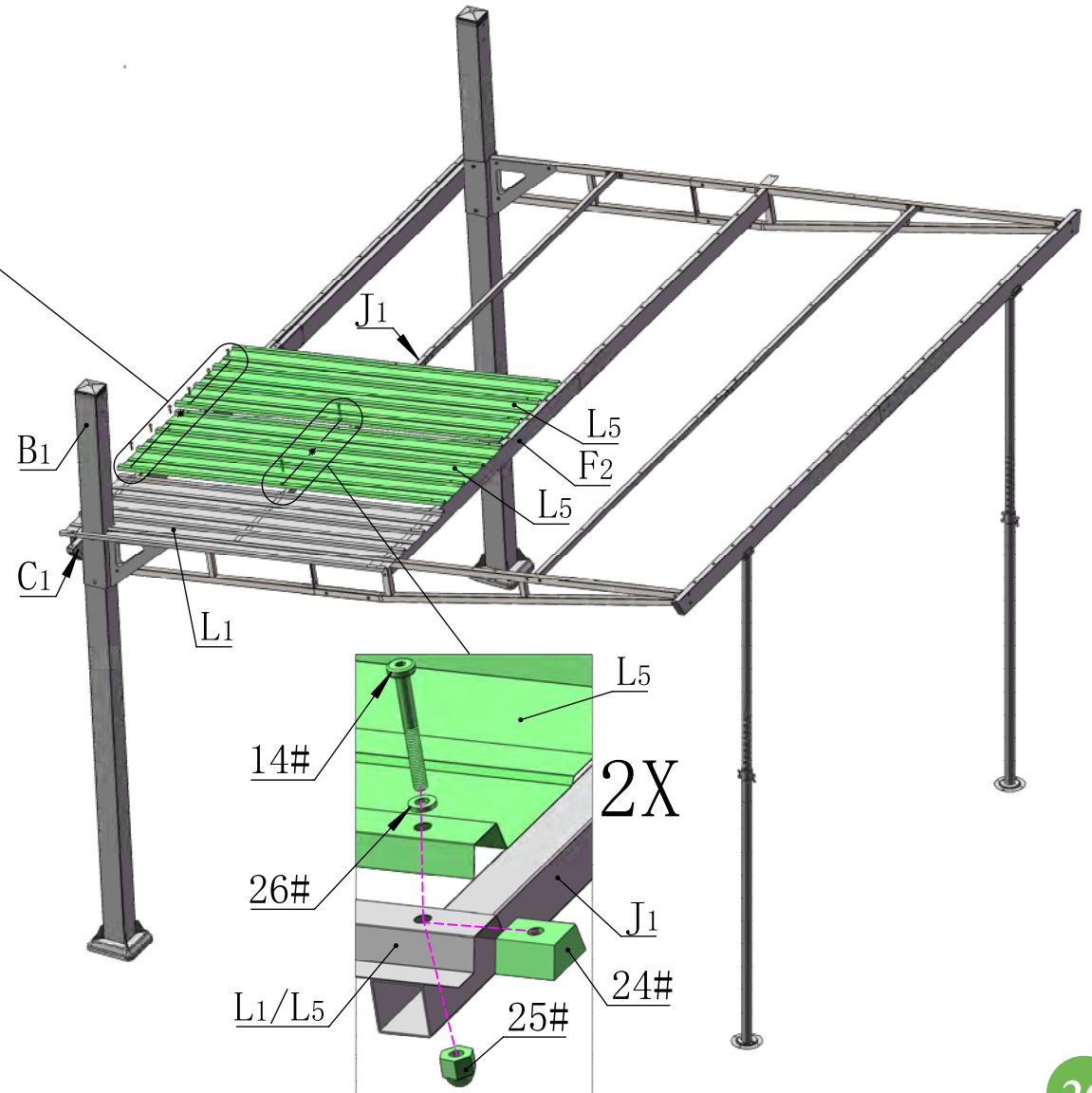
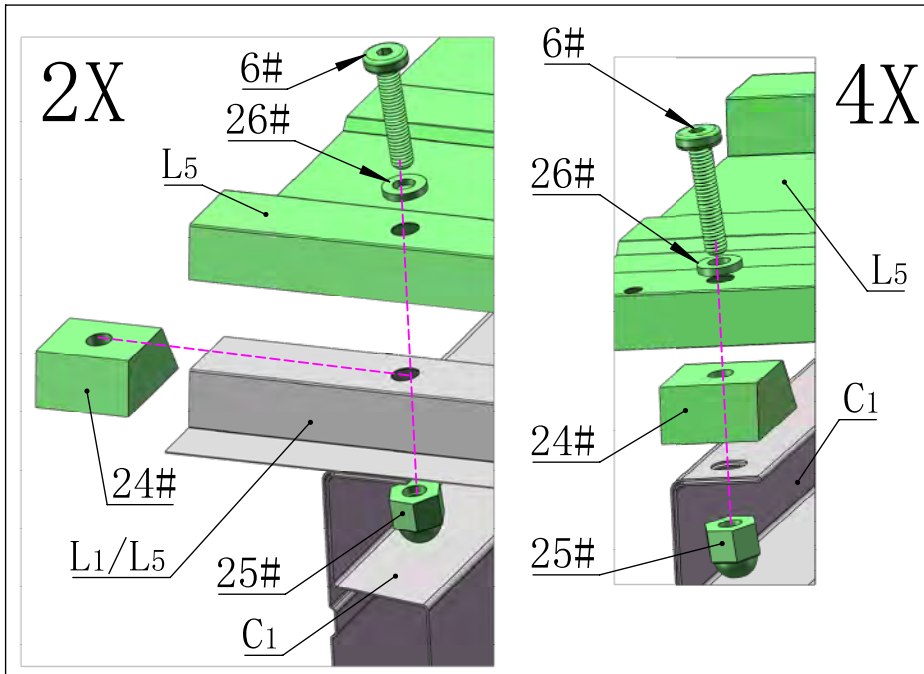
1X

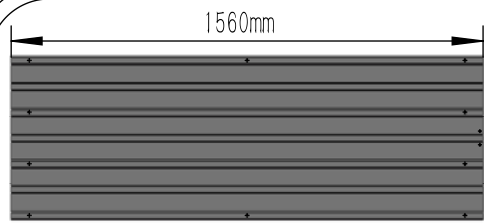


M8

37#

1X





L6 1X



M6*30

6#

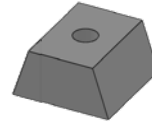
3X



M6*55

14#

1X



24#

4X



M6

25#

4X



D12/d6. 5*H2

26#

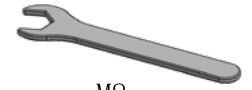
4X



S4

34#

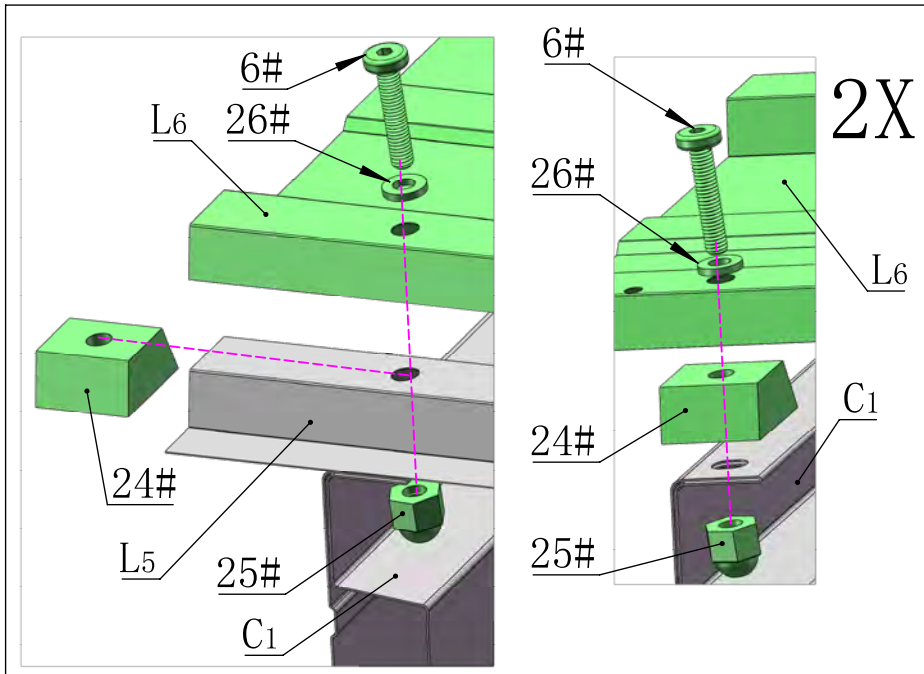
1X



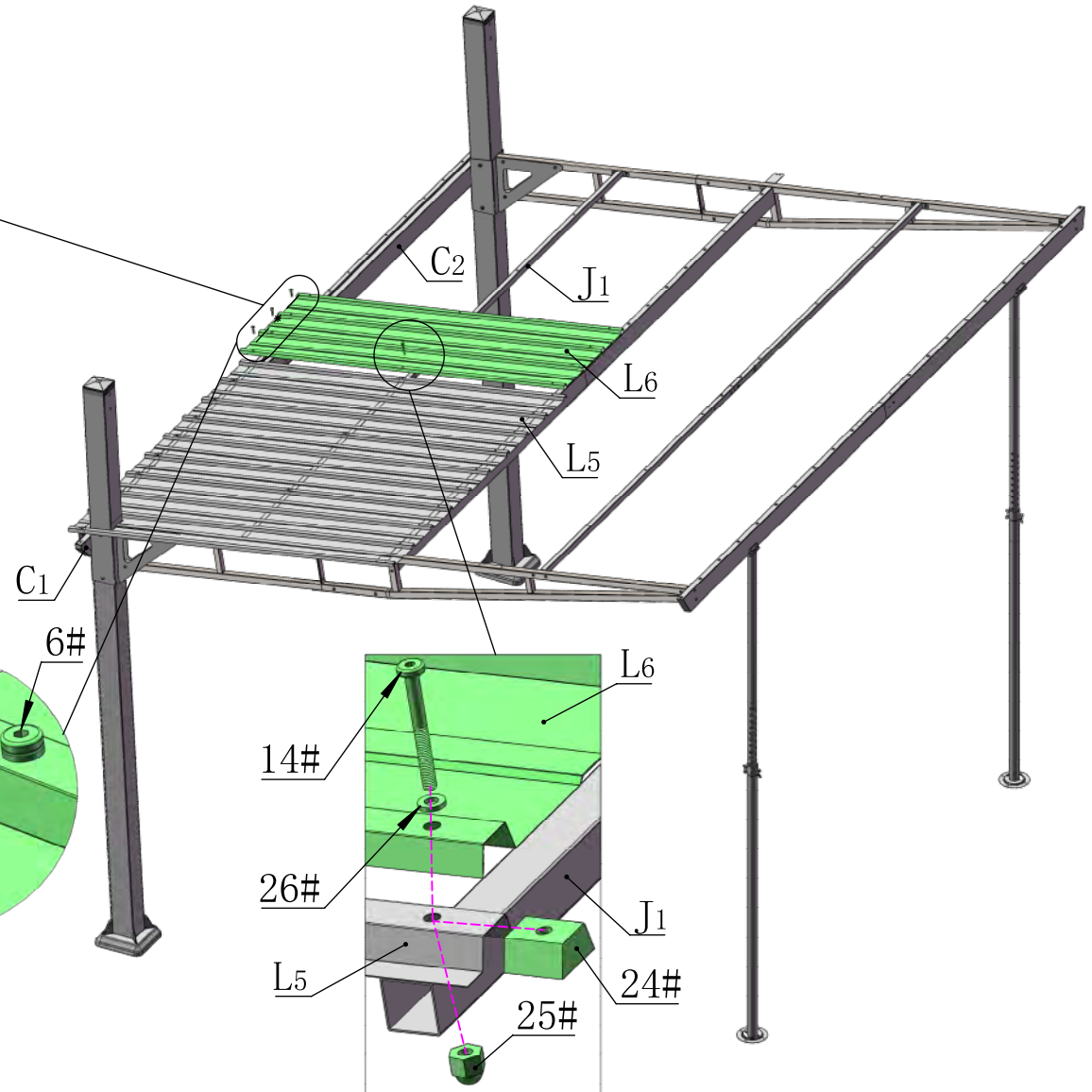
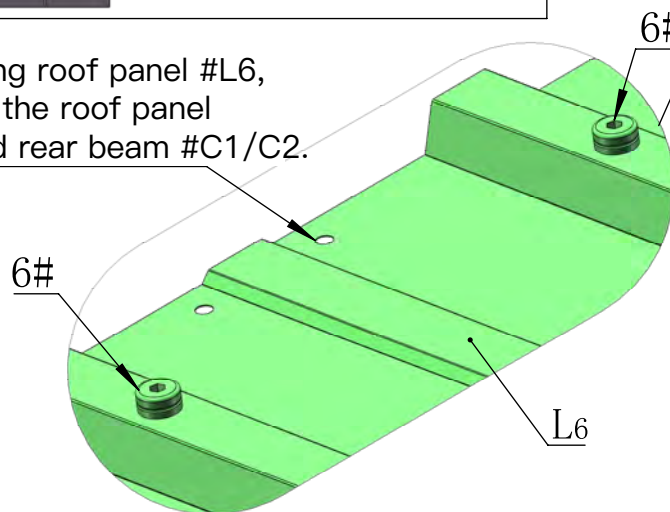
M8

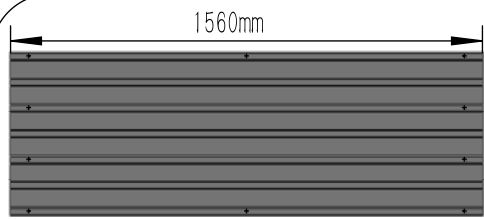
37#

1X



Note:When installing roof panel #L6, the small holes on the roof panel should face toward rear beam #C1/C2.





L5 2X



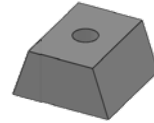
6#

6X



14#

2X



24#

8X



25#

8X



D12/d6. 5*H2

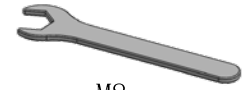
26#

8X



34#

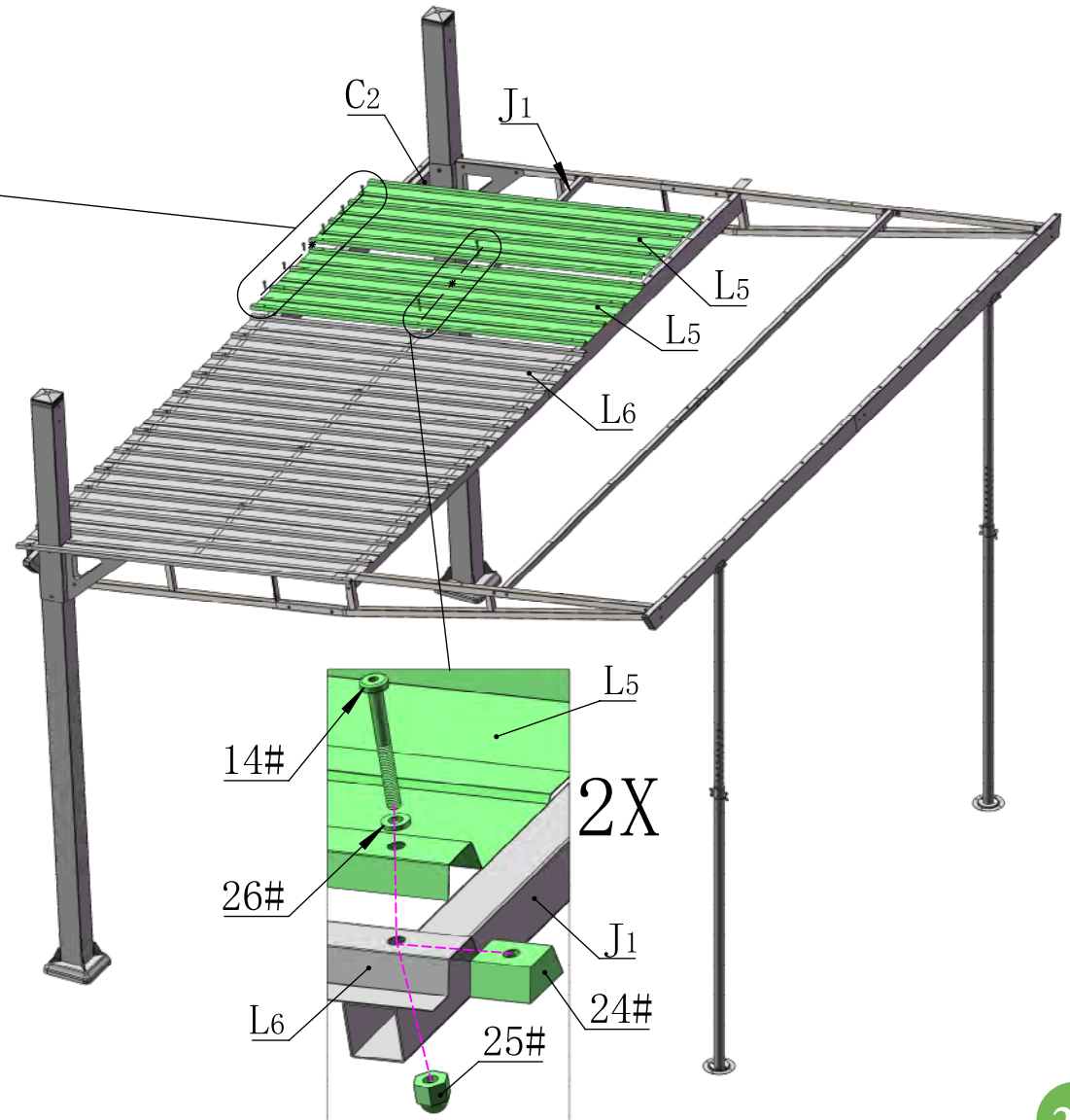
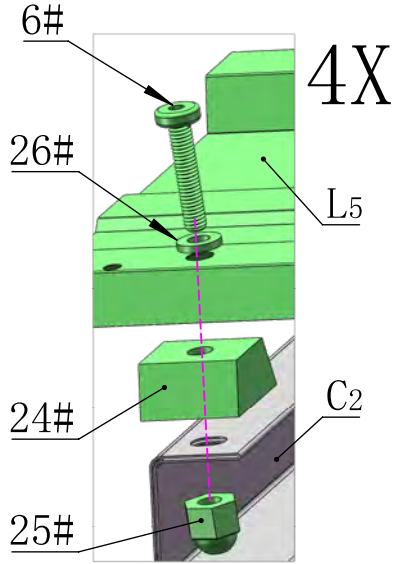
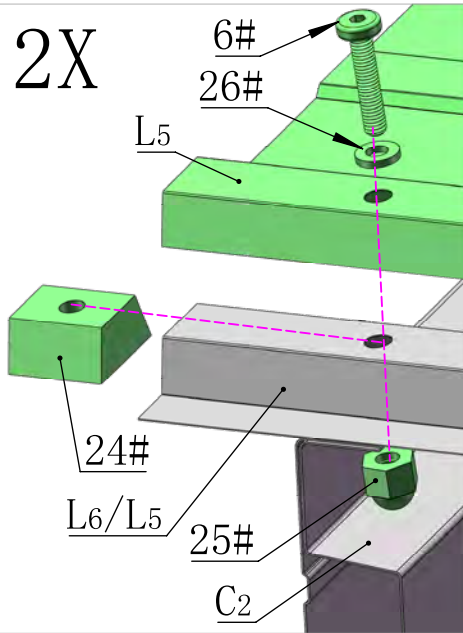
1X

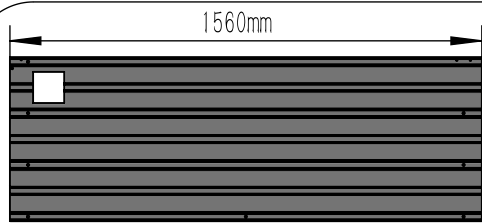


37#

1X

2X





L2

1X



M6*30

6#

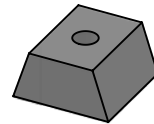
3X



M6*55

14#

1X



24#

4X



M6

25#

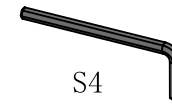
4X



D12/d6.5*H2

26#

4X



S4

34#

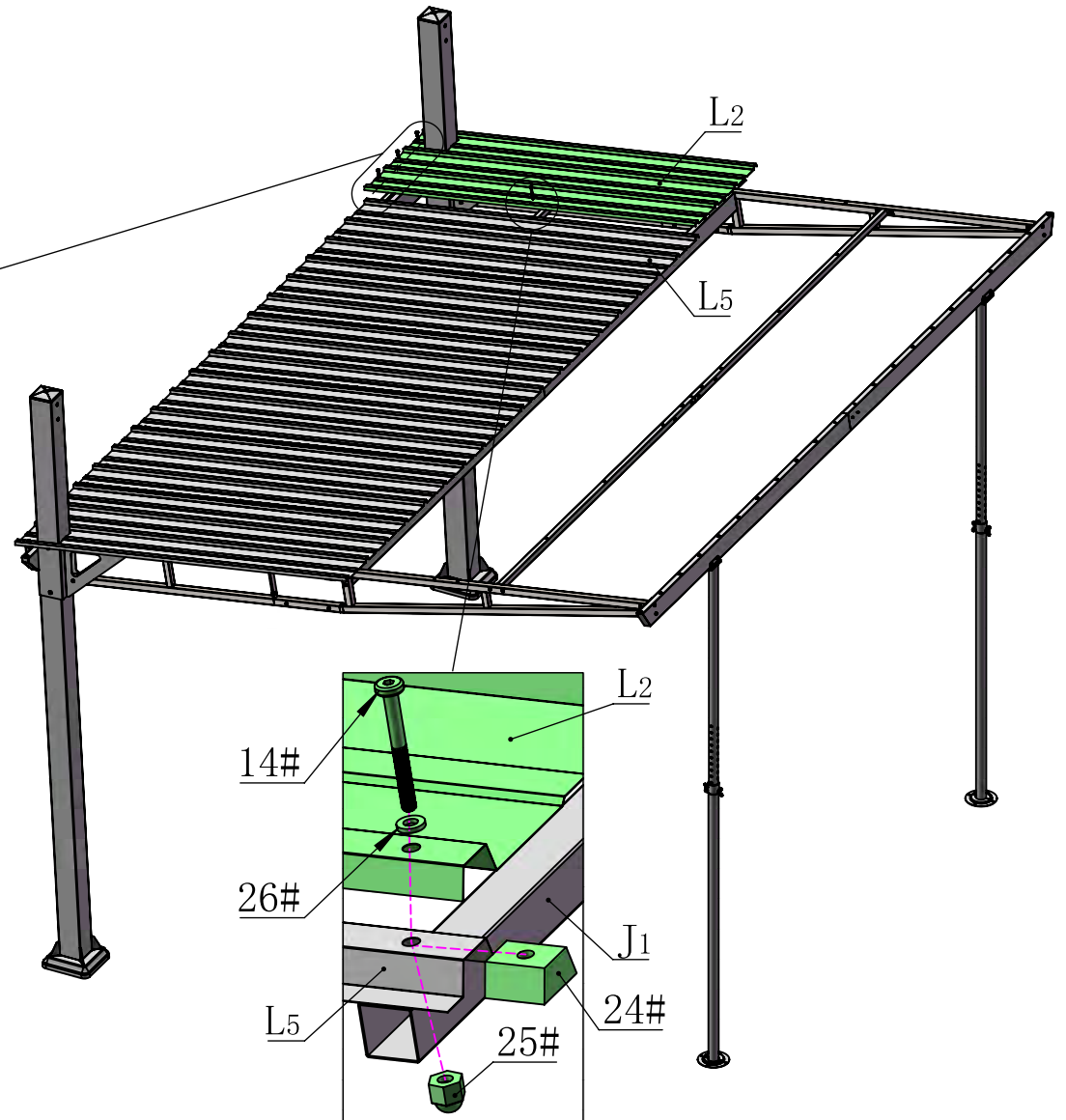
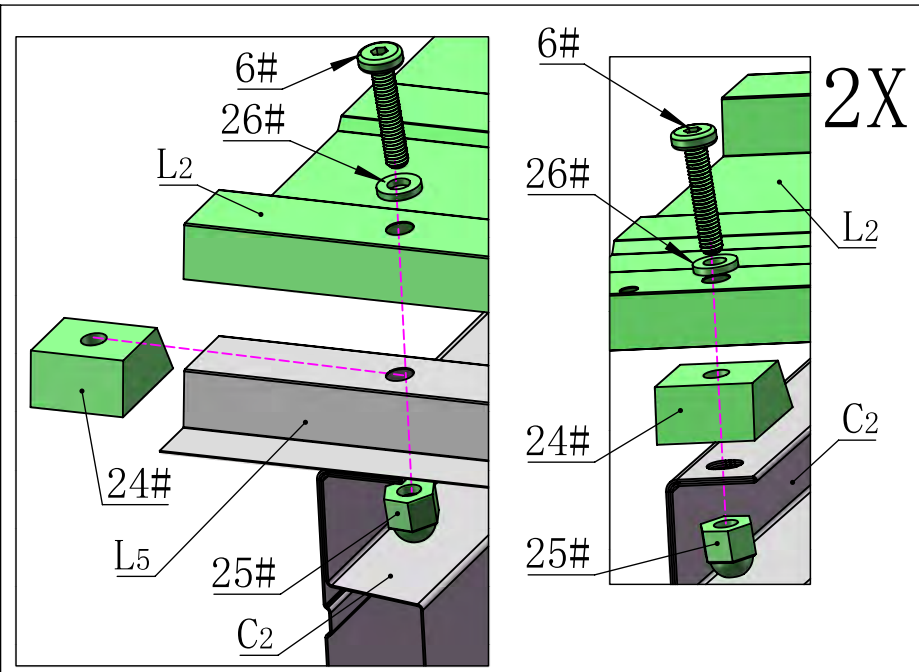
1X

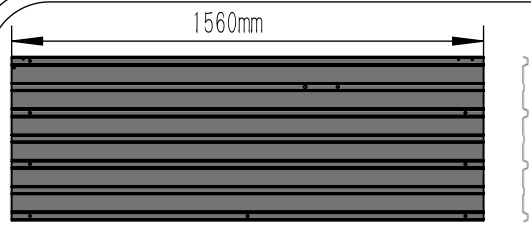


M8

37#

1X



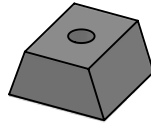


L3 1X



M6*30

6# 4X

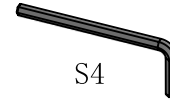


24# 4X



D12/d6.5*H2

26# 4X

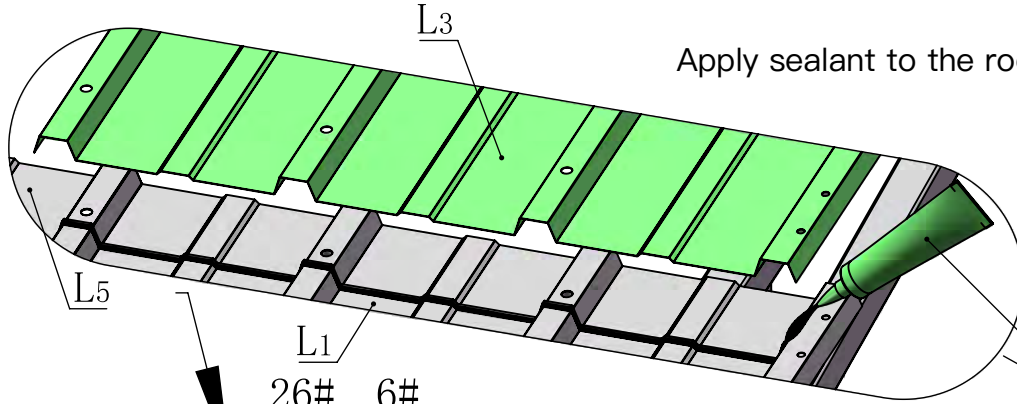


S4

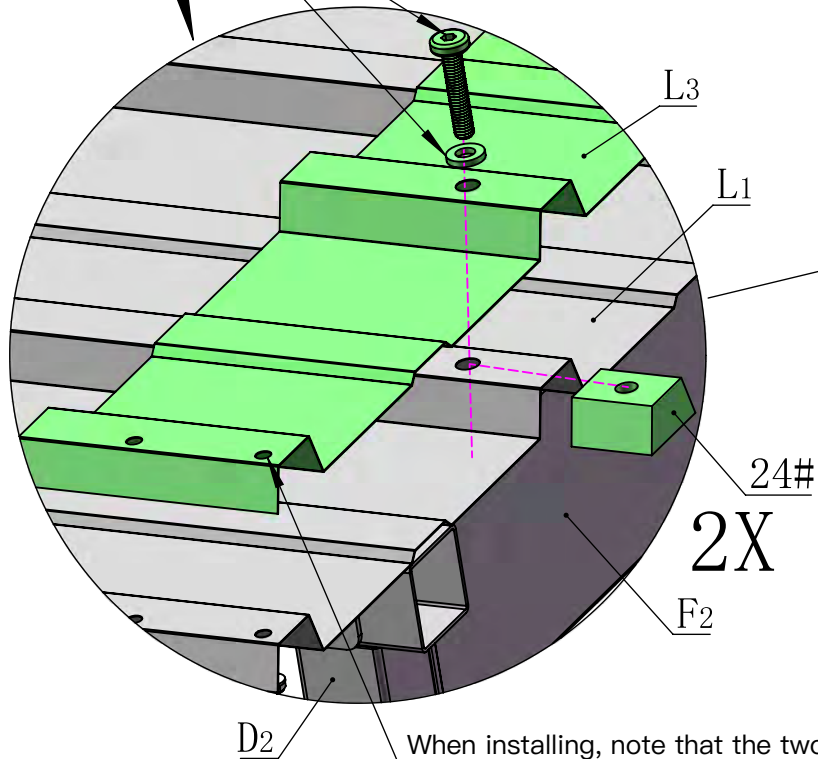
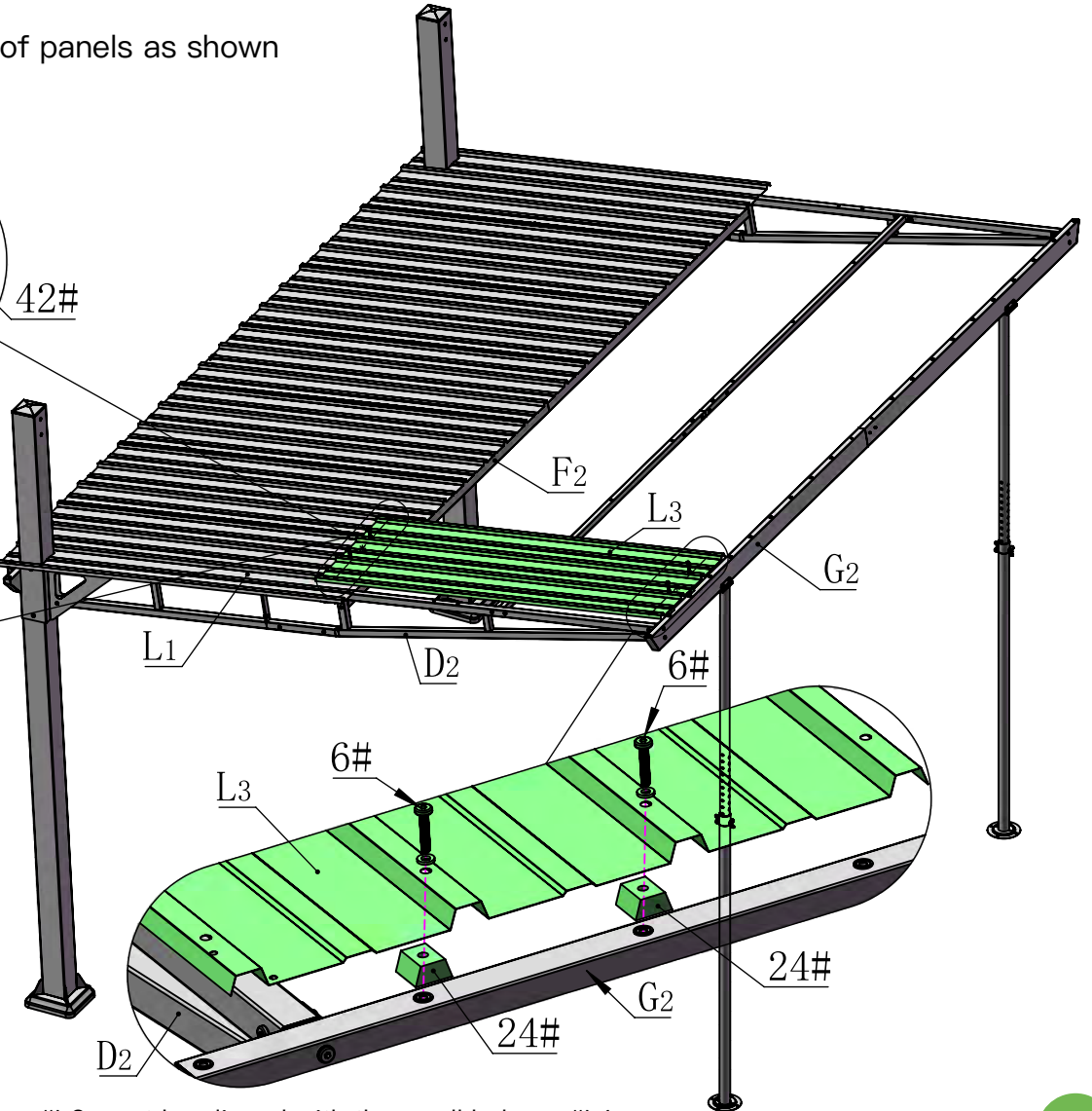
34# 1X



42# 1X

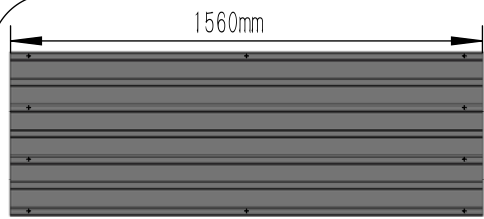


Apply sealant to the roof panels as shown



2X

When installing, note that the two small holes on #L3 must be aligned with the small hole on #L1.



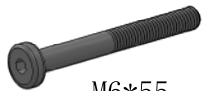
L5 2X



M6*30

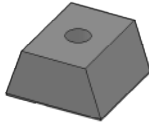
6#

12X



M6*55

14# 2X

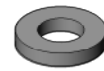


24# 14X



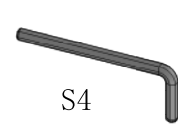
M6

25# 2X



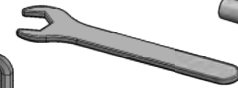
D12/d6.5*H2

26# 14X



S4

34# 1X

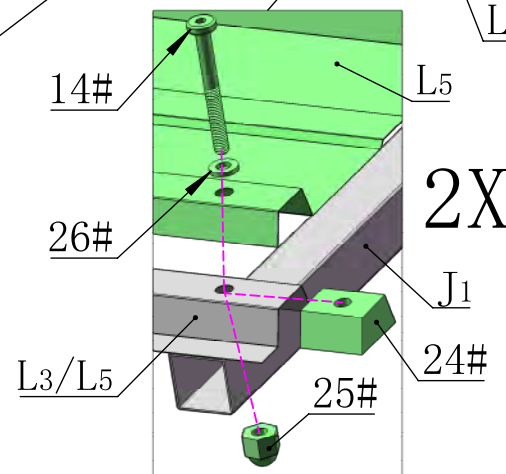
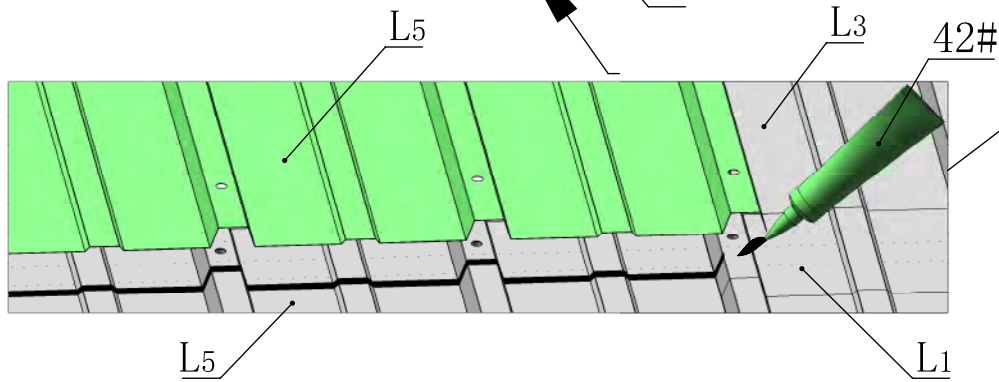
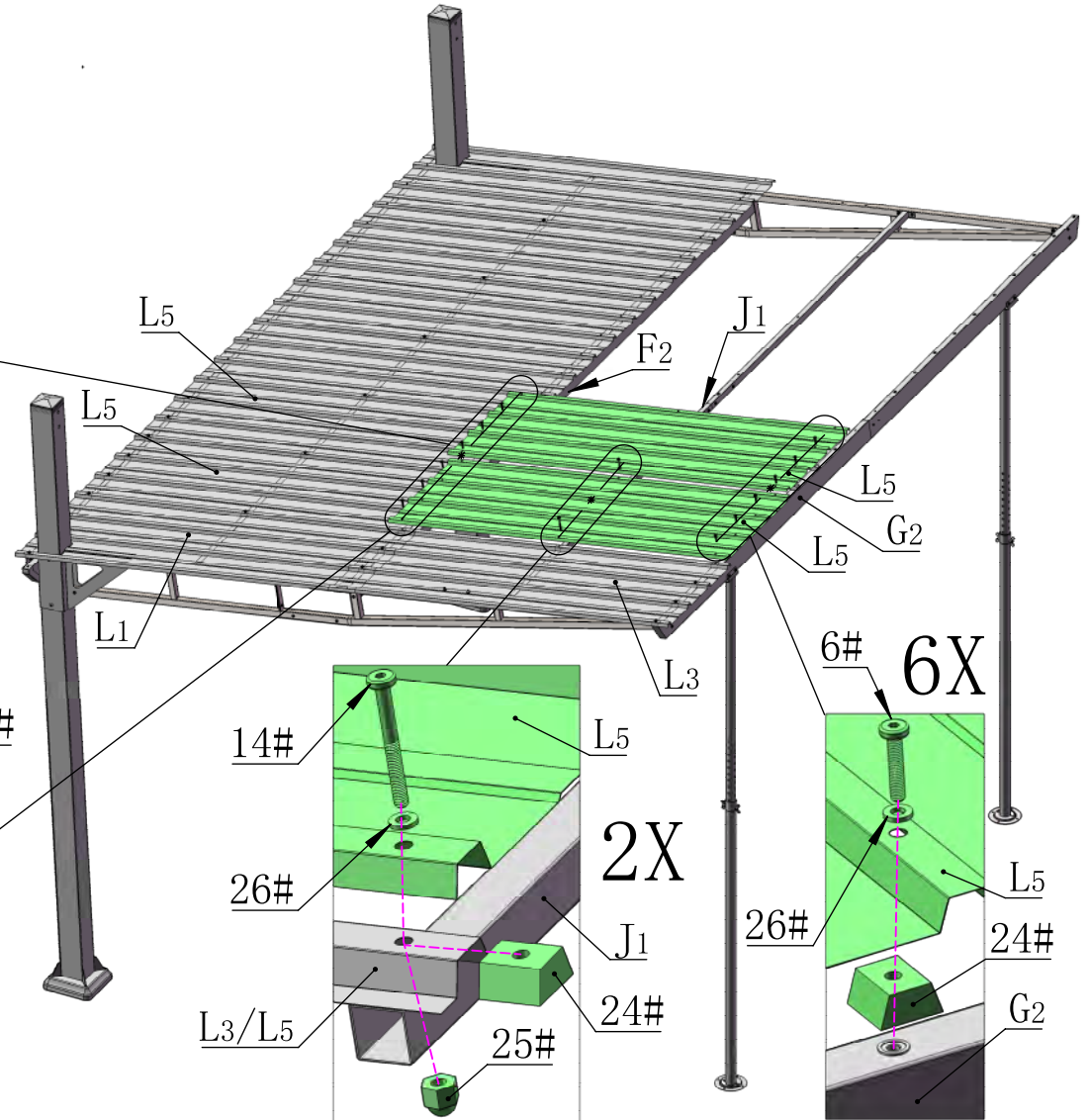
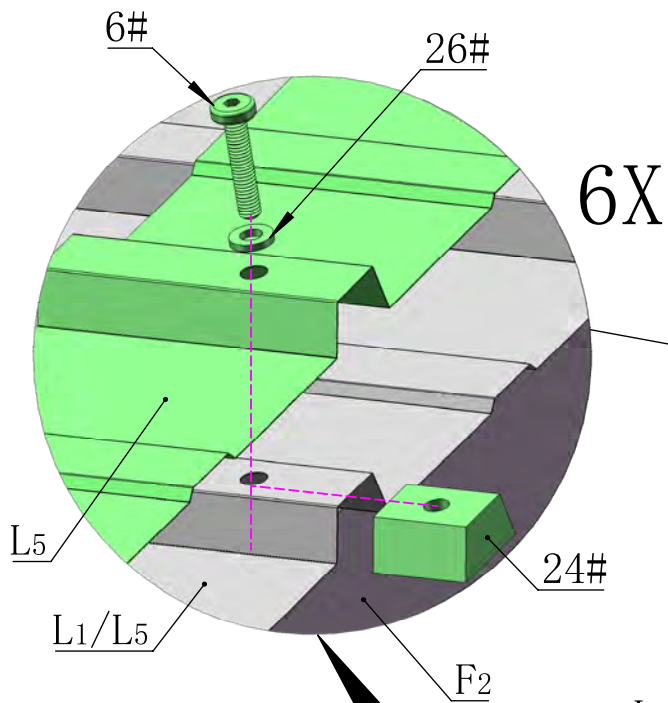


M8

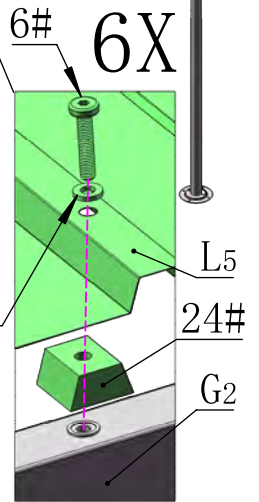
37# 1X

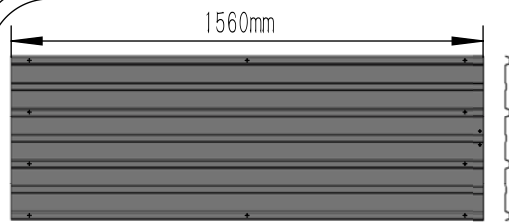


42# 1X



2X





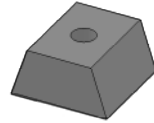
L6 1X



6# 6X



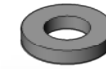
14# 1X



24# 7X

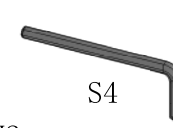


25# 1X

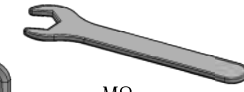


D12/d6. 5*H2

26# 7X



34# 1X

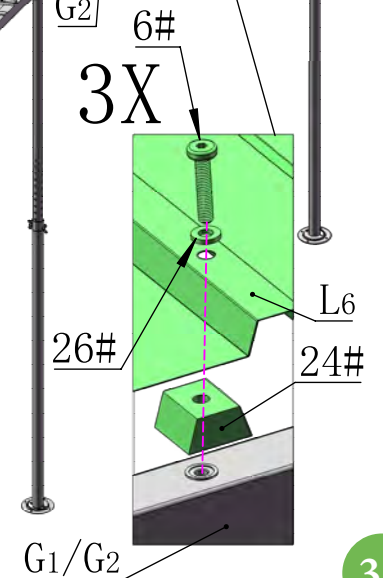
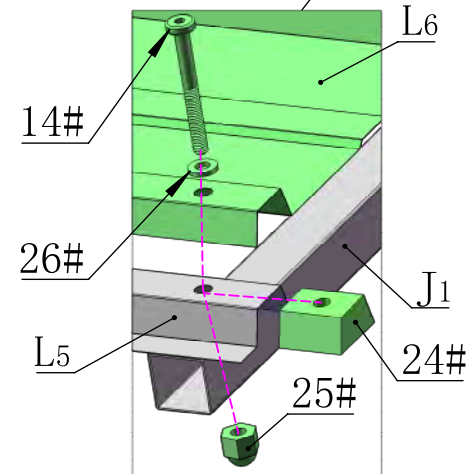
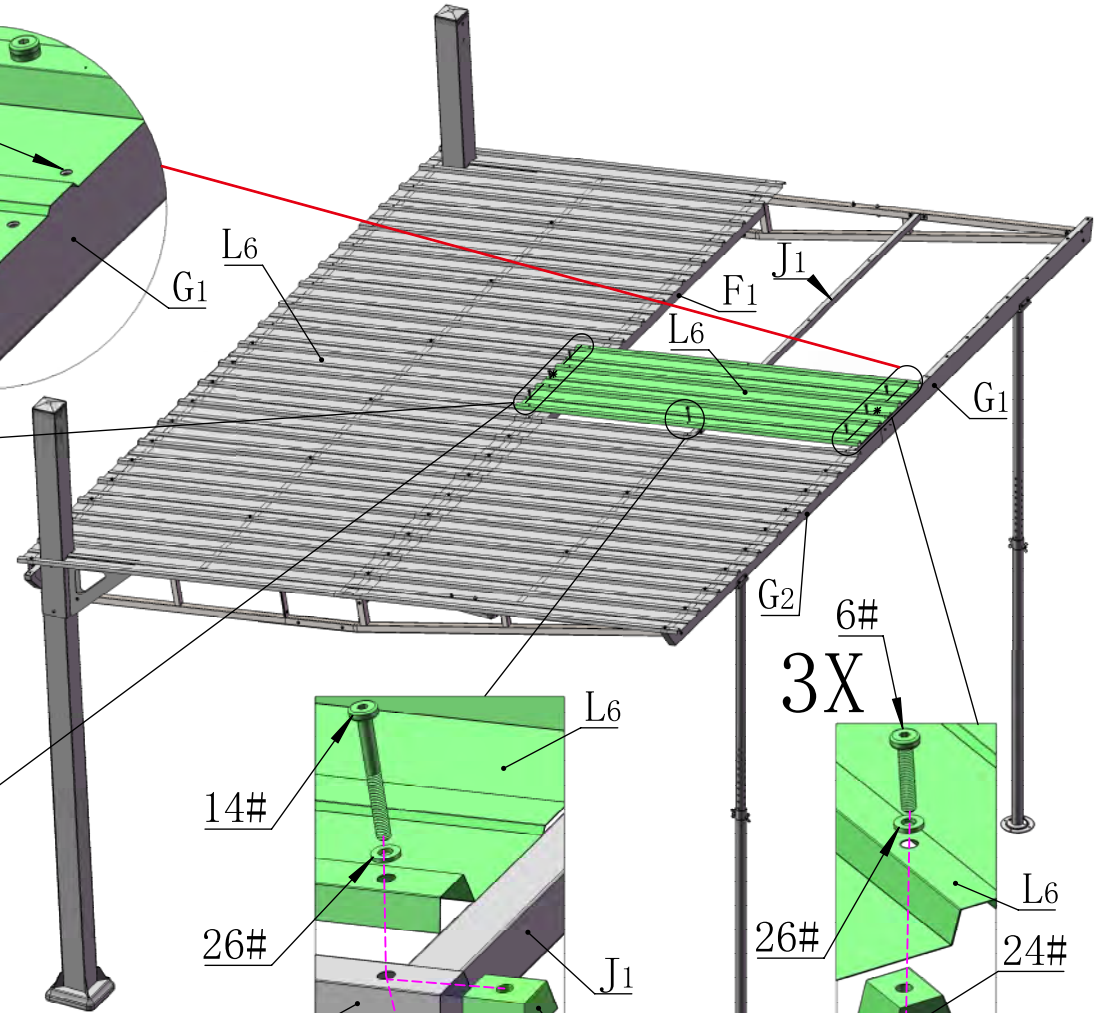
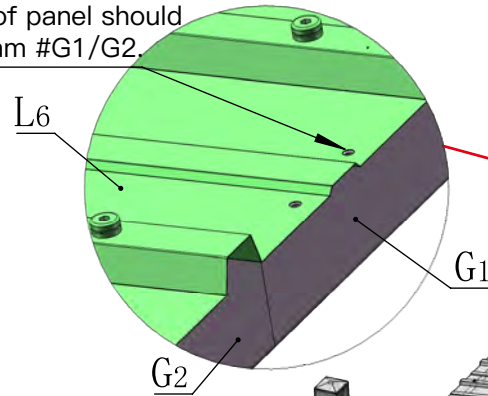
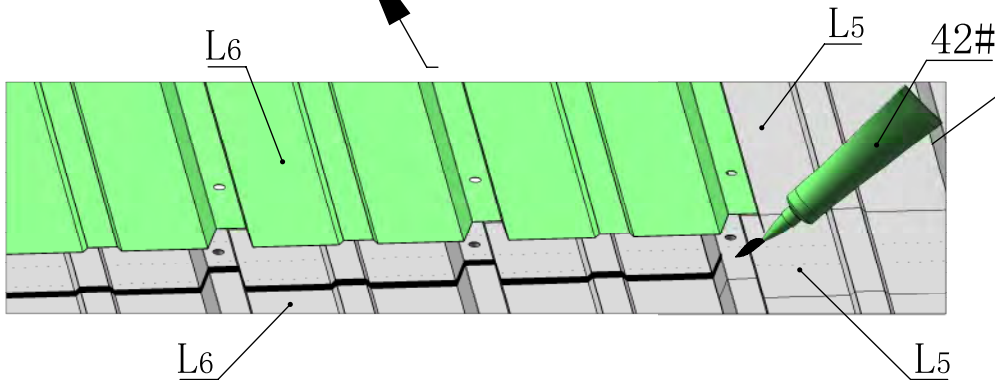
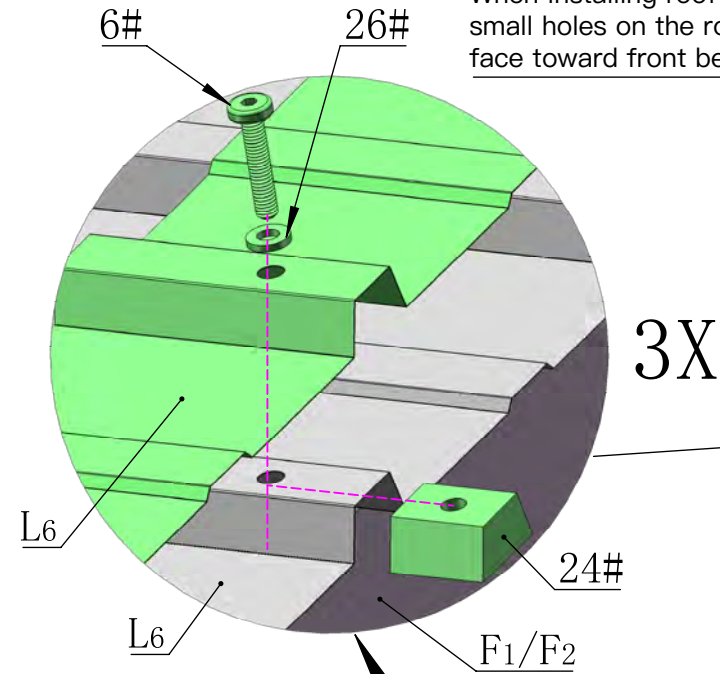


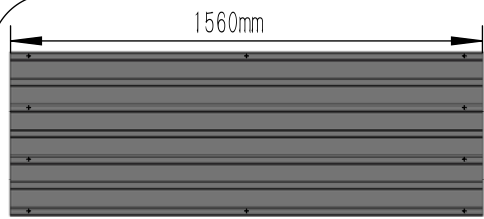
37# 1X



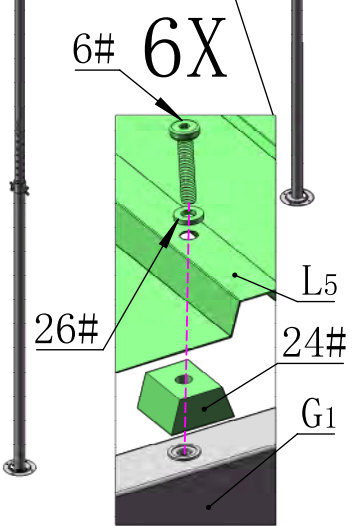
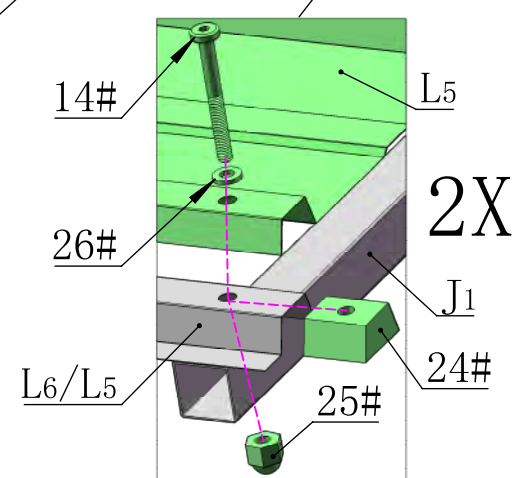
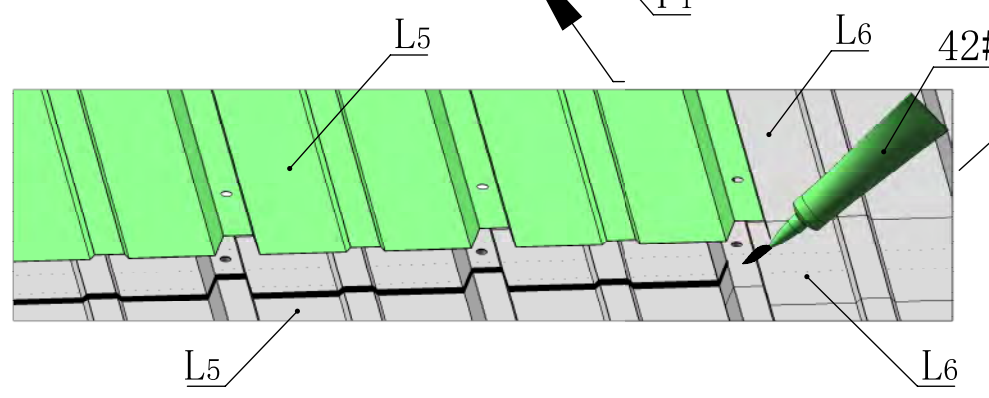
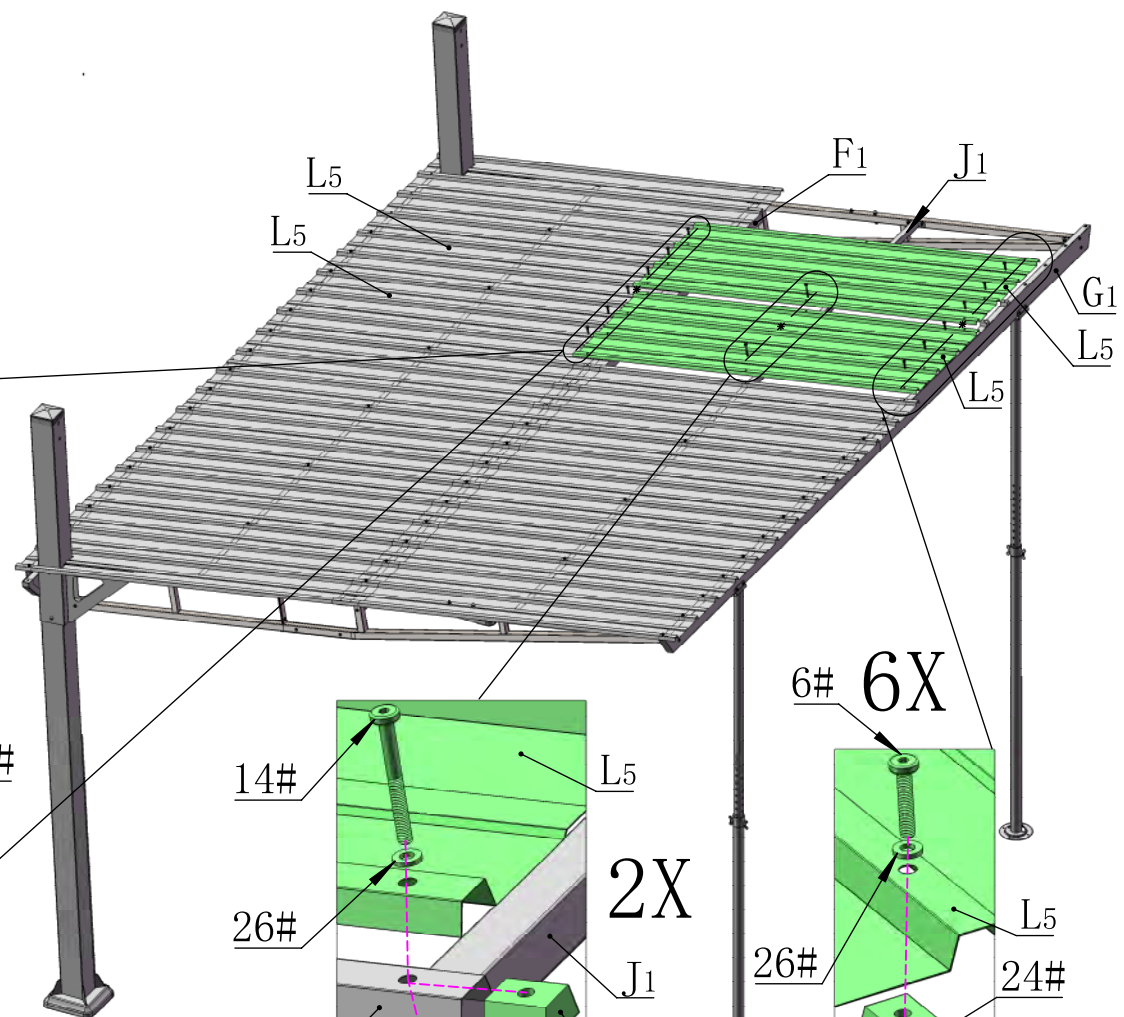
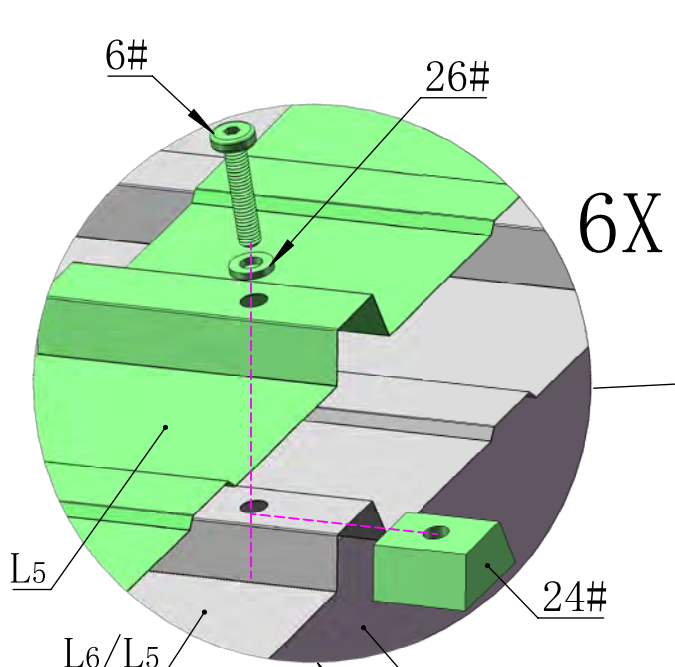
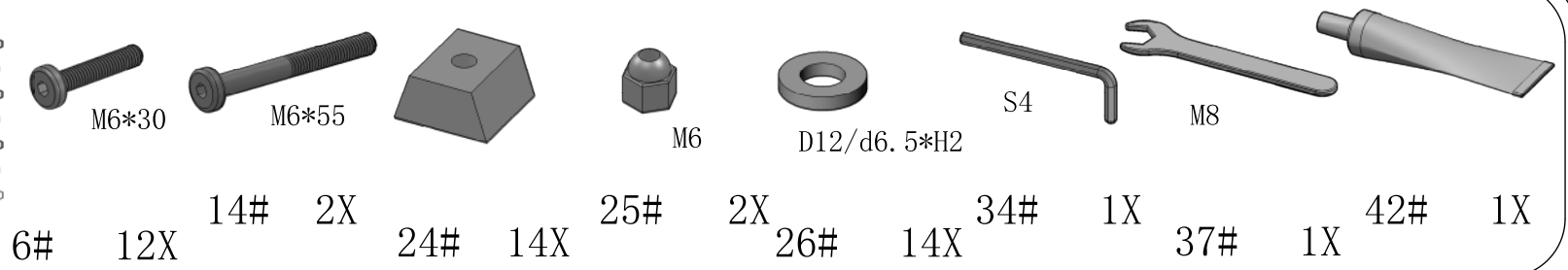
42# 1X

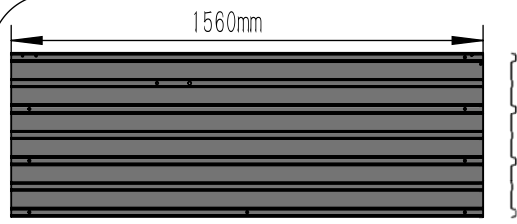
When installing roof panel #L6, the small holes on the roof panel should face toward front beam #G1/G2.





L5 2X

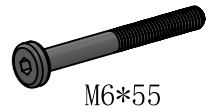




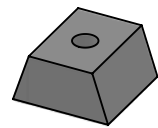
L4 1X



6# 6X



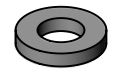
14# 1X



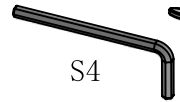
24# 7X



25# 1X



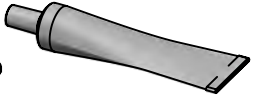
26# 7X



34# 1X



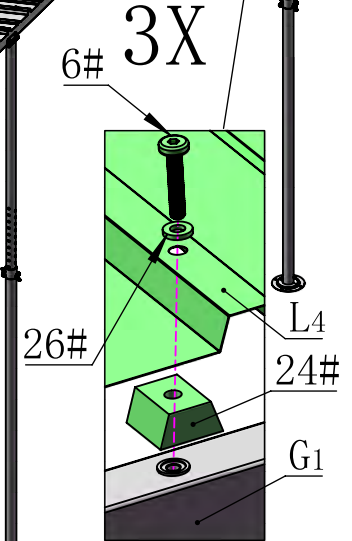
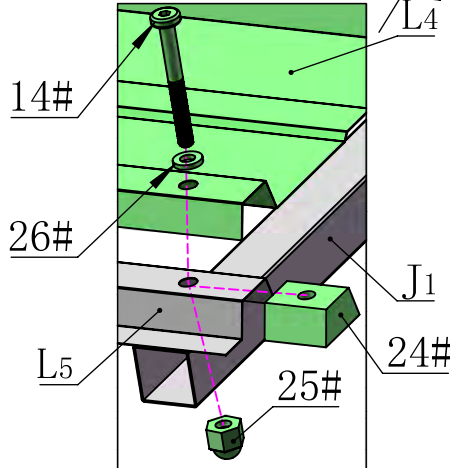
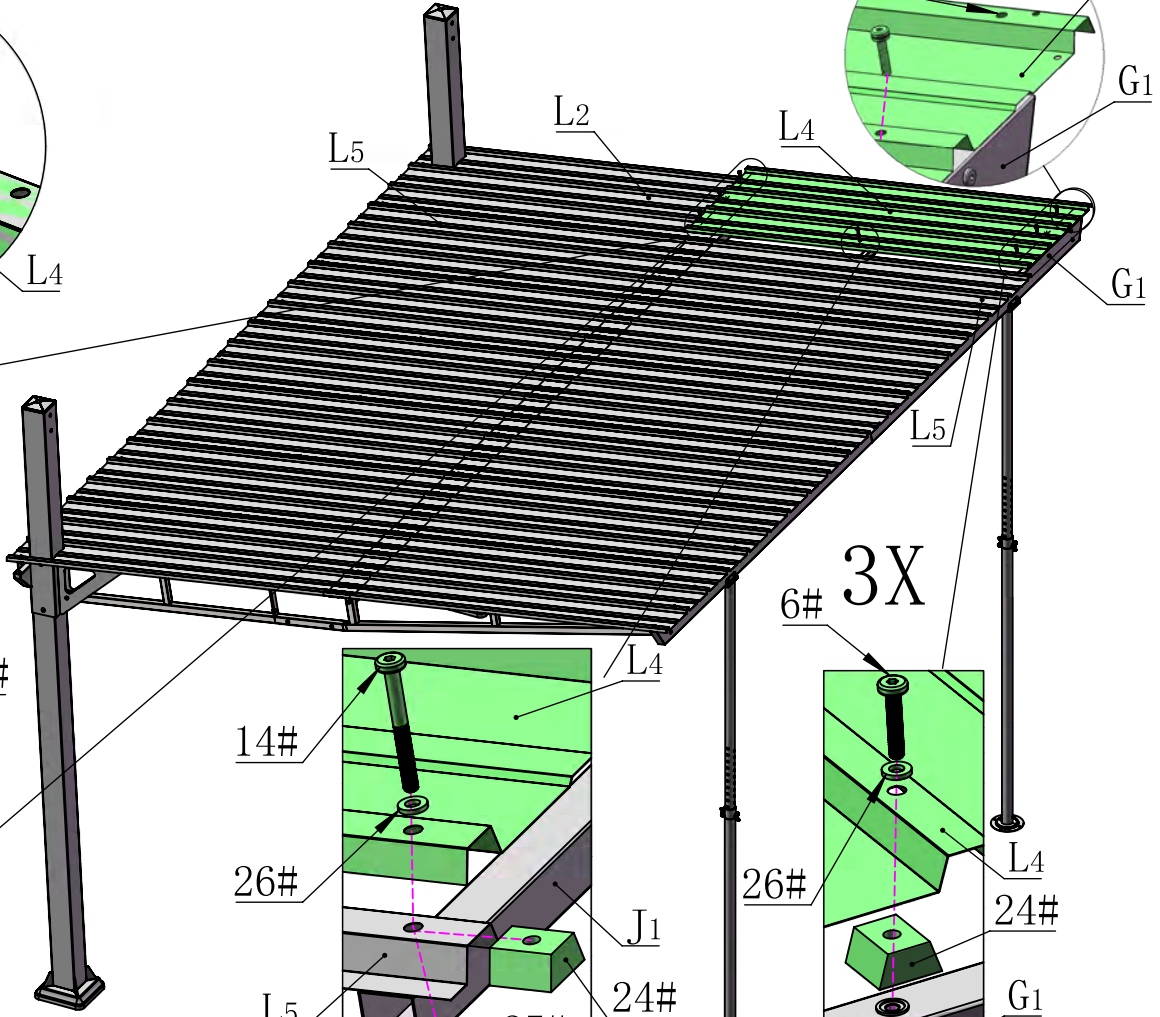
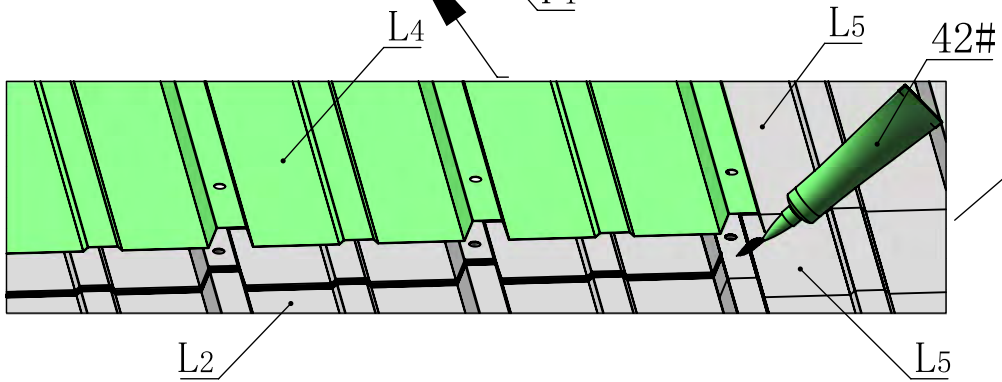
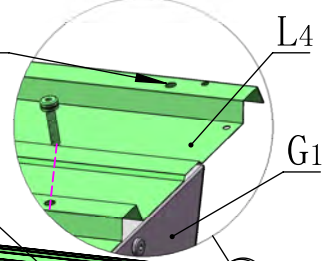
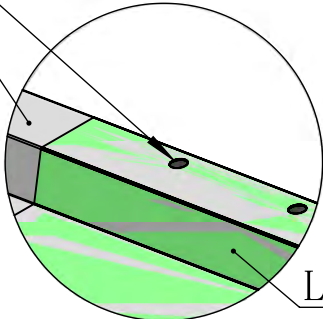
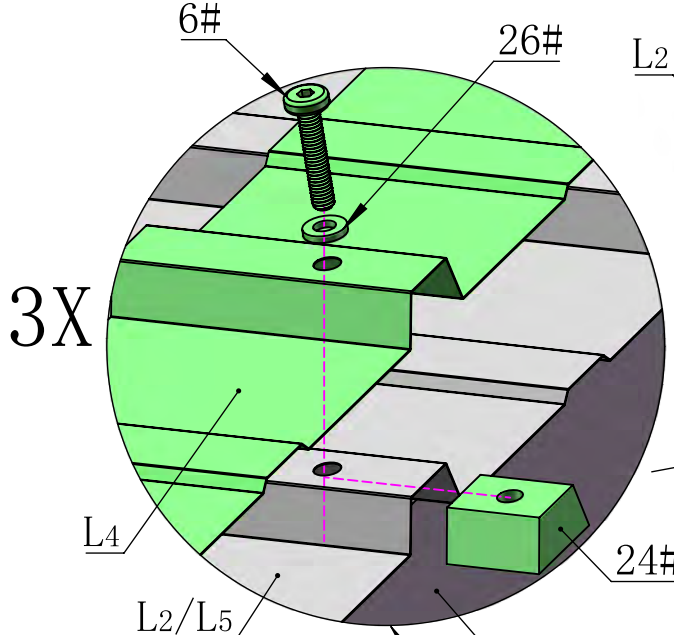
37# 1X

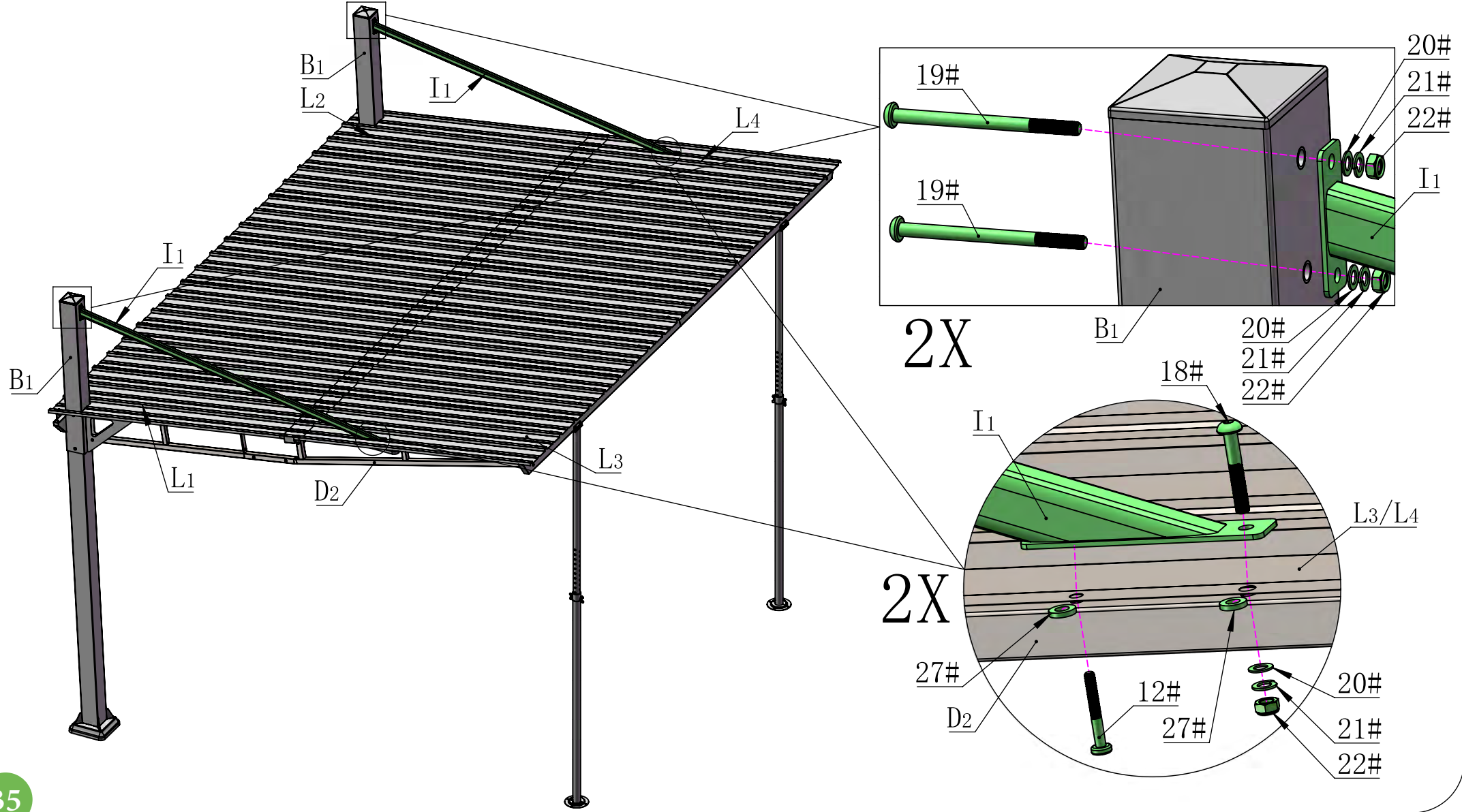
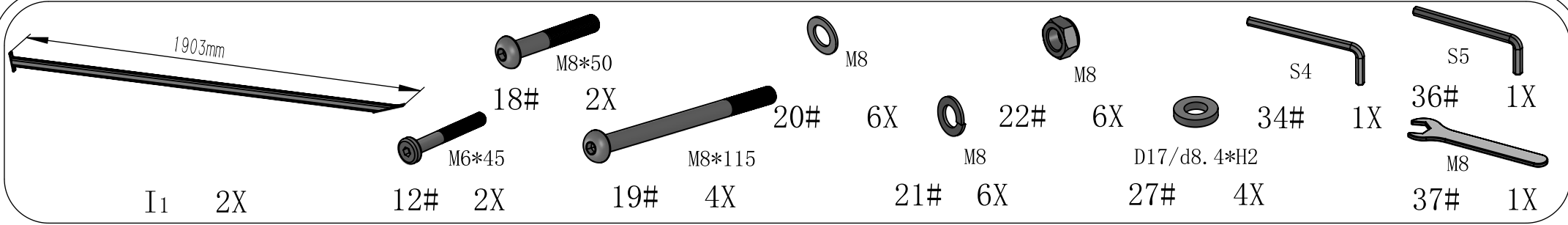


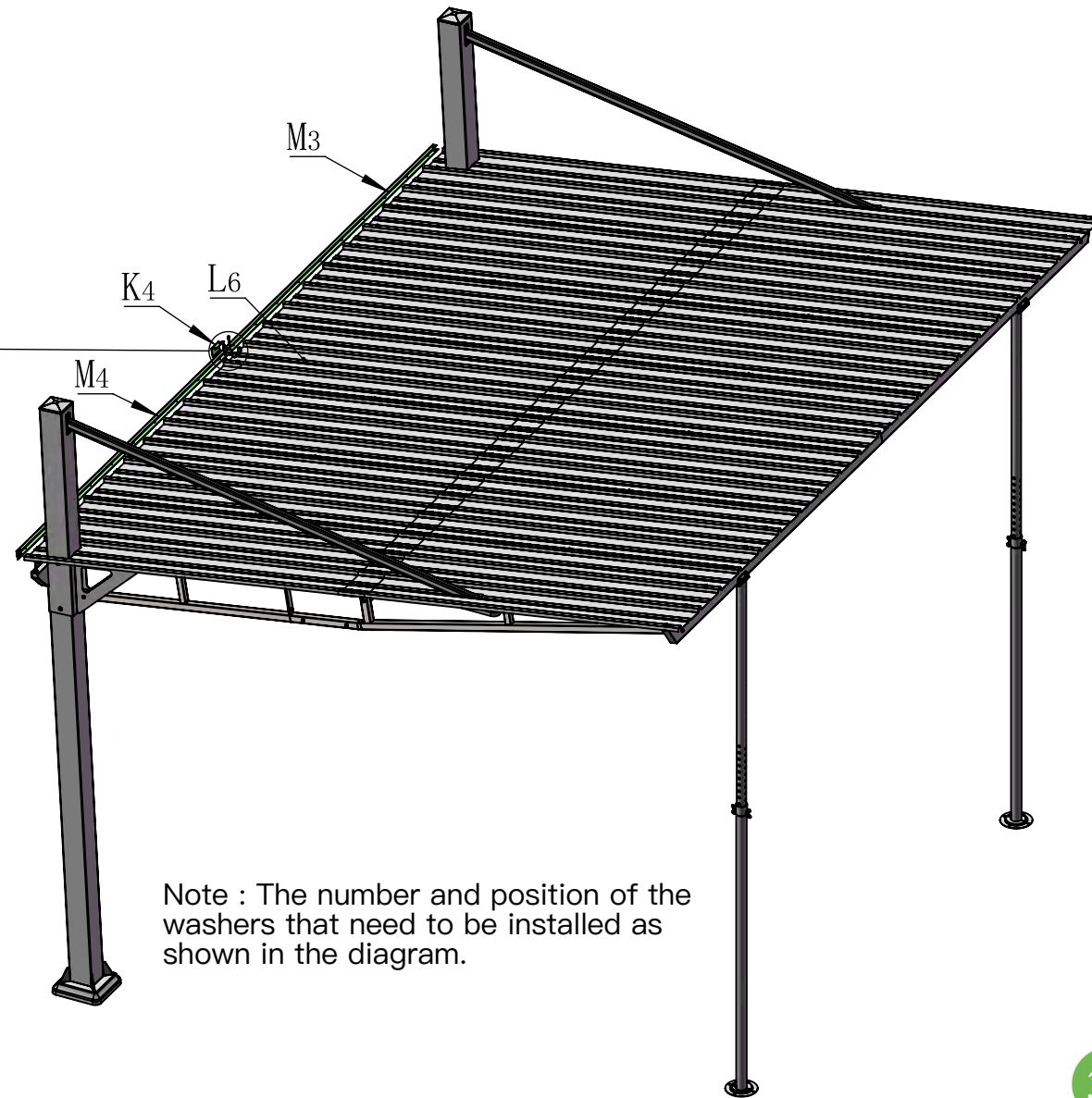
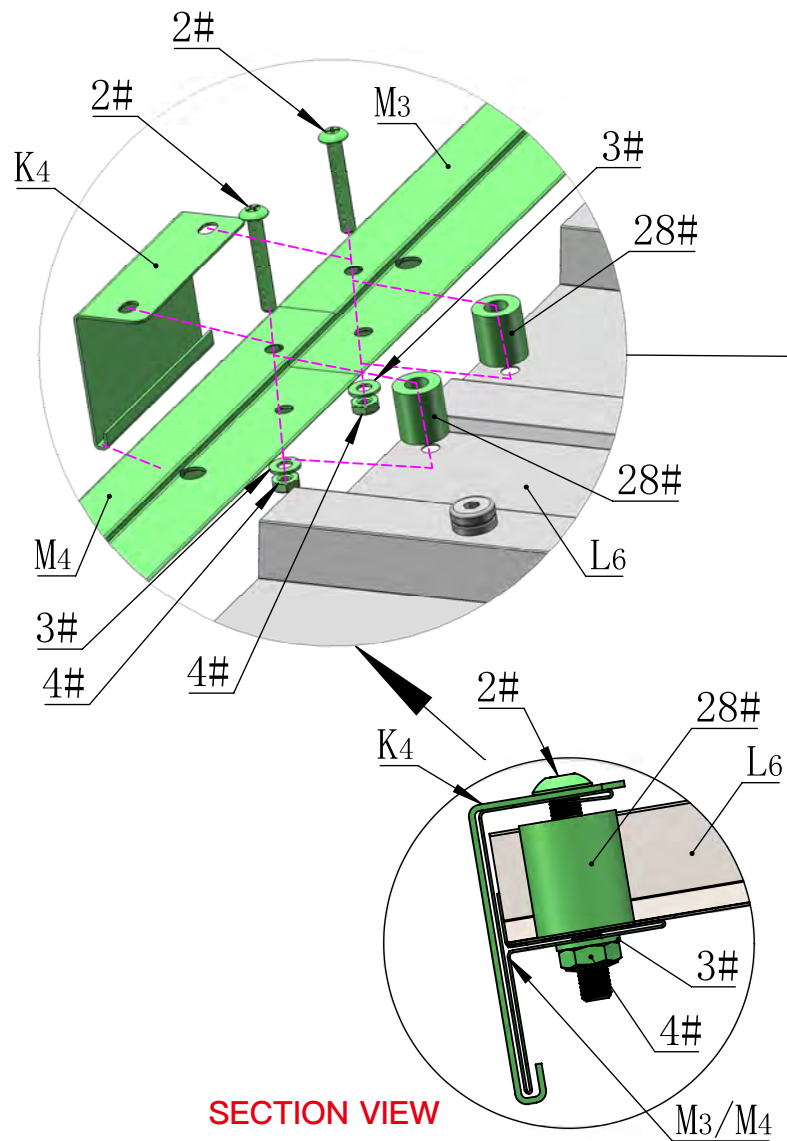
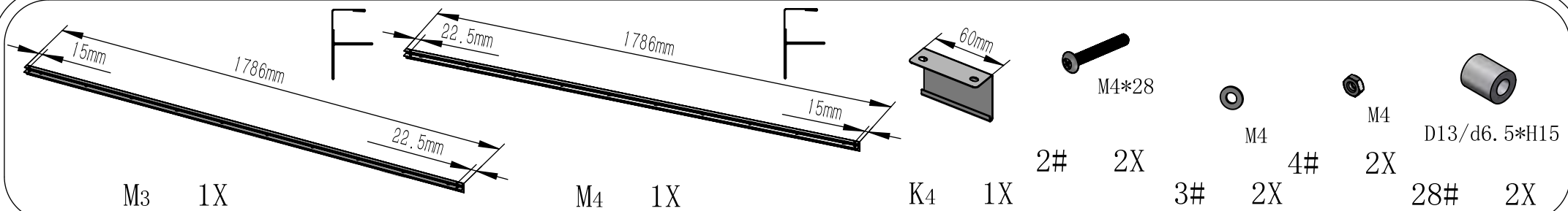
42# 1X

When installing, note that the two small holes on L4 must be aligned with the small hole on L2.

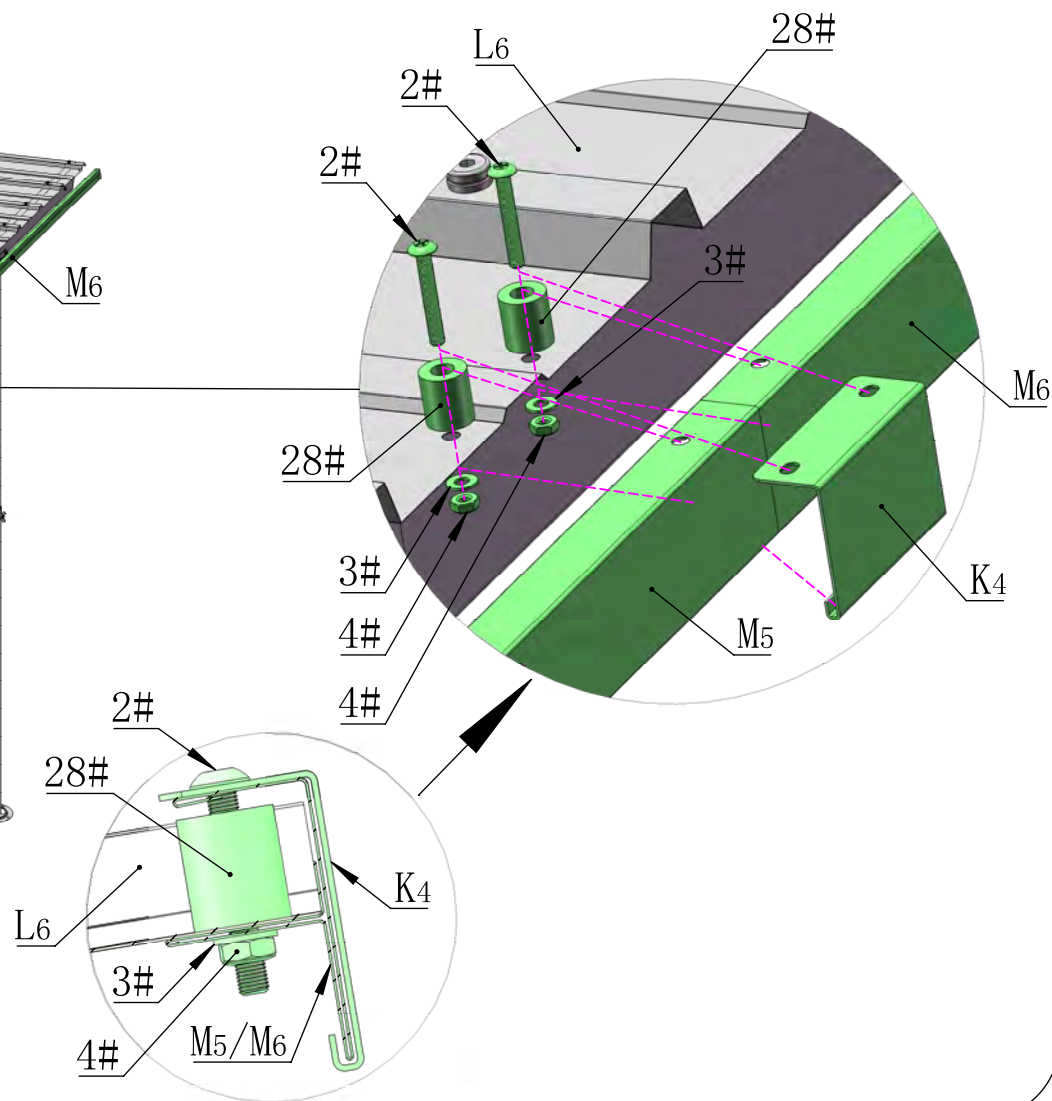
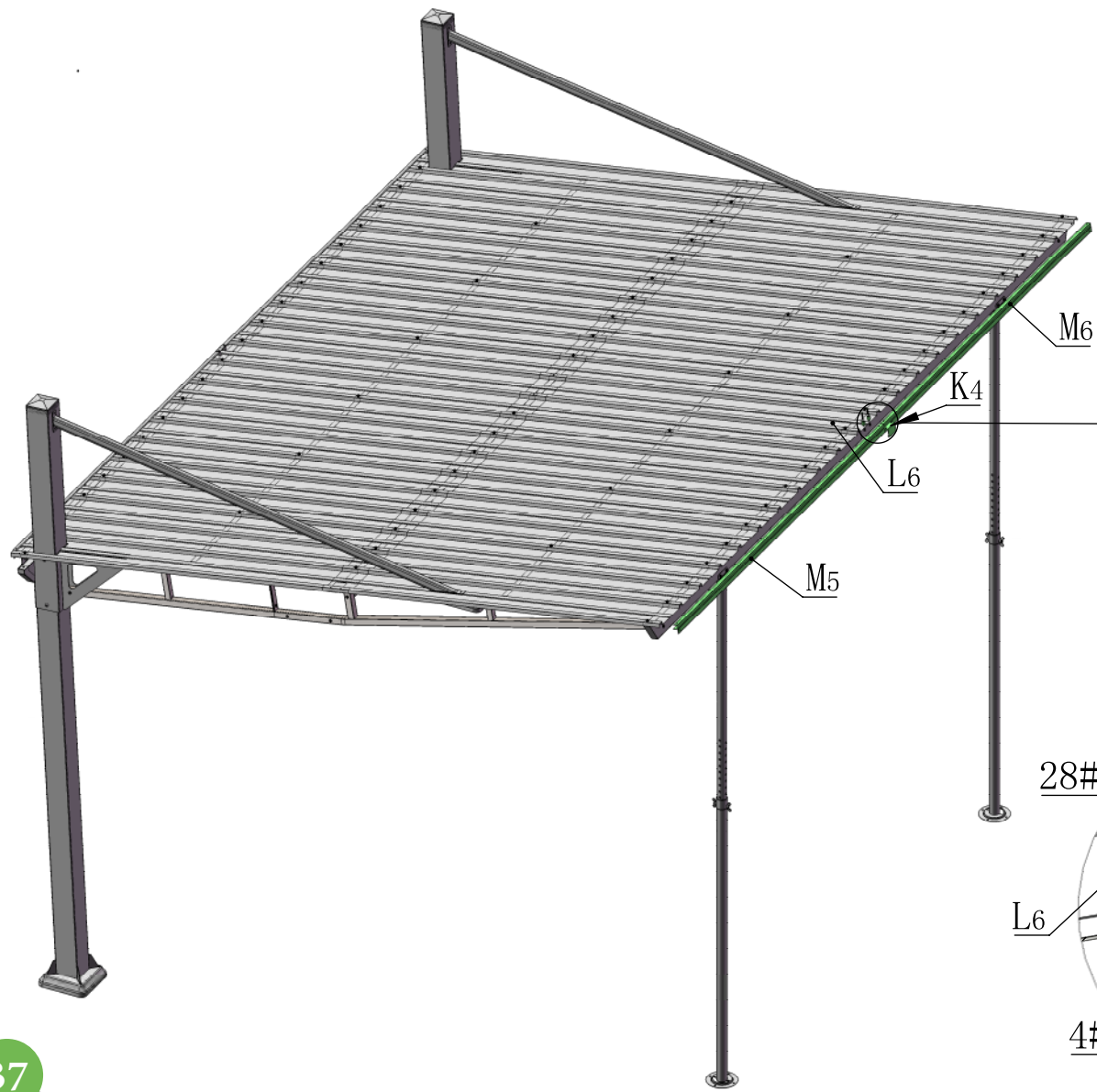
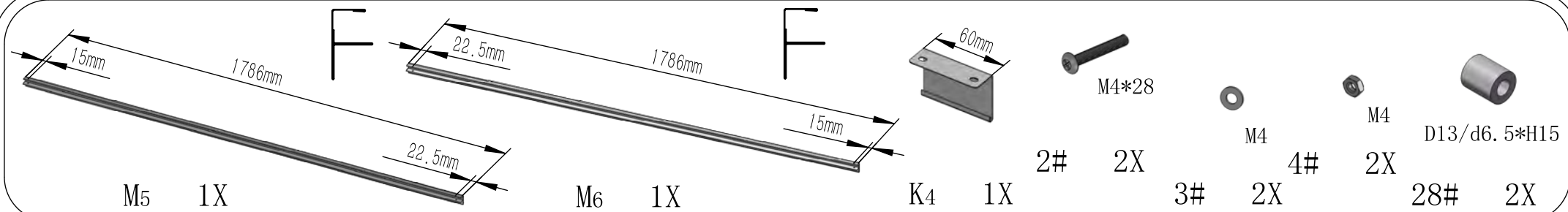
This hole does not require assembly in this step.

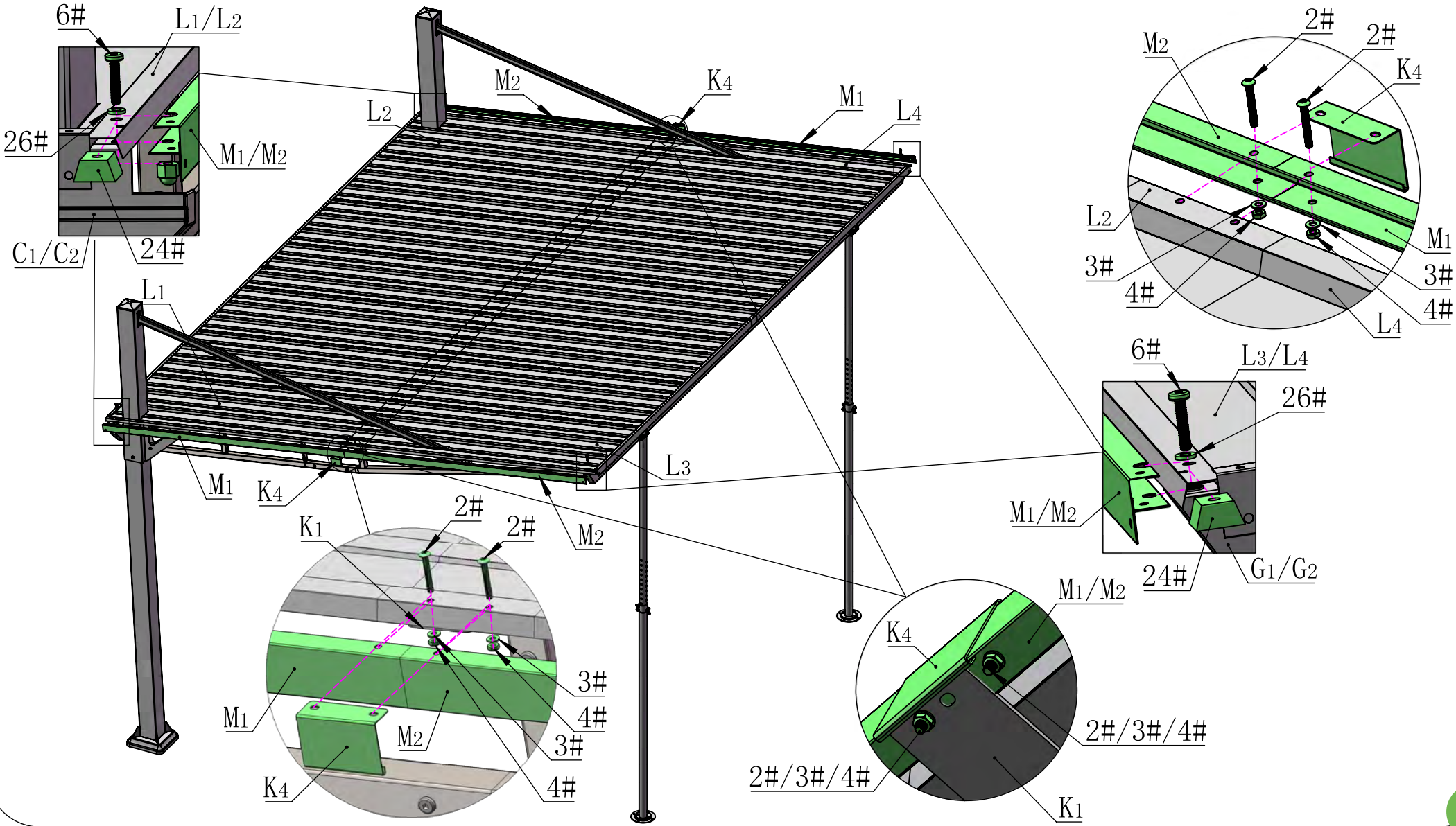
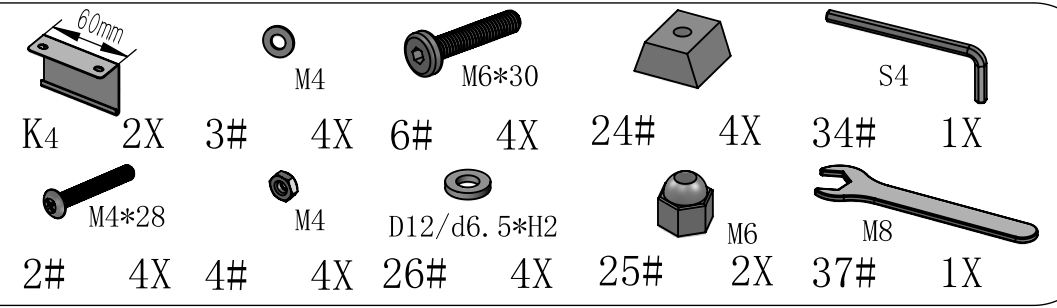
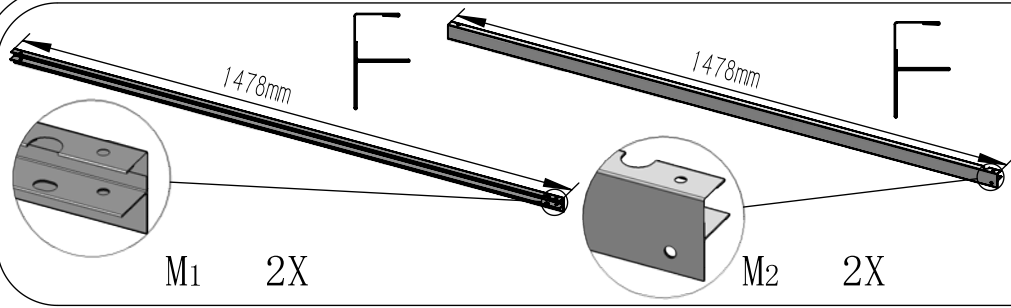


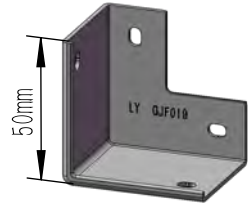




Note : The number and position of the washers that need to be installed as shown in the diagram.





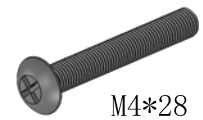


K3 4X



M4*10

1# 8X



M4*28

2# 8X



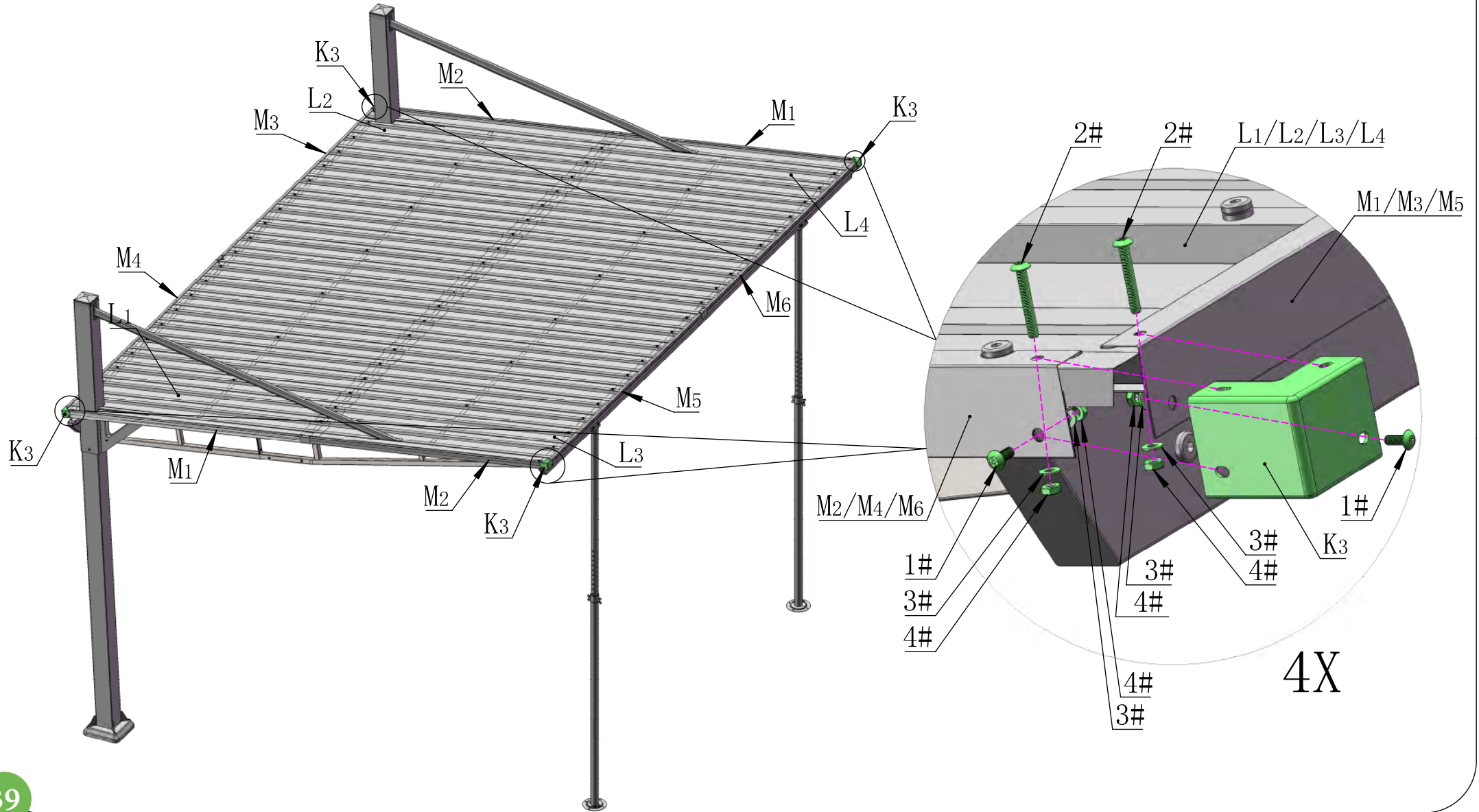
M4

3# 16X



M4

4# 16X



Care and Cleaning

Wash frame parts and fabric with mild soap and water, rinse thoroughly.

Dry frame completely and allow the fabric to drip dry.

Do not use bleach, acid, or other solvents on the fabric or frame parts.

Please inspect and tighten all bolts or fasteners on a regular basis to ensure proper performance and safety of your gazebo.

Warranty

Frames

Frames constructions are warranted to be free from defects in material and workmanship for 1 year from item purchased. Damage to frame from negligence won't be covered by this warranty.

Netting

Netting are warranted to be free from defects in material and workmanship for 1 year from item purchased. Damage from exposure to chemicals (including but not only oils ,spills, fluids) won't be covered by this warranty.

Bolts & nuts

Bolts and nuts are warranted to be free from defects in material and workmanship for 1 year from item purchased. Damage from exposure to chemicals (including not only oils ,spills, fluids) won't be covered by this warranty.

Warranty Limitation

This warranty is for the original purchase order only. (Order number required). This warranty is non-transferable. Domi outdoor living is responsible for the free replacement part including shipping charges for the 1 year warranty.

Warranty Exclusion

This warranty does not cover products subject to negligence, abuse usage, inappropriate installation. Domi outdoor living reserves the right to explain warranty exclusions. When the replacement item is applied, the 1 year warranty automatically expires. Please feel free to contact us for applying warranty.



RESORT COMFORT IN YOUR
OWN BACKYARD

Support:



Email: service@domioutdoorliving.com

Please tell us your order ID when contact.

Attach photos of damaged part for instant reply.