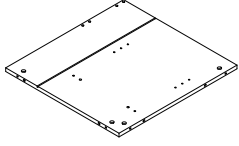
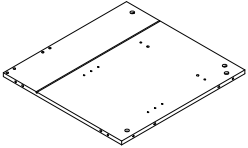
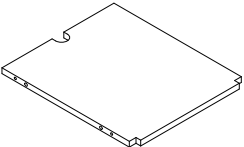
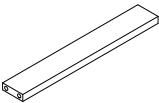
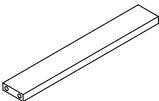
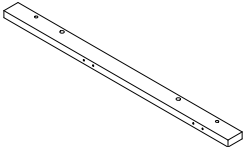
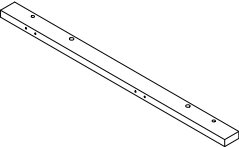
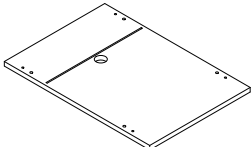
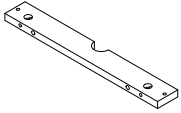
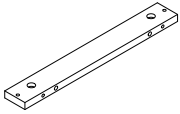
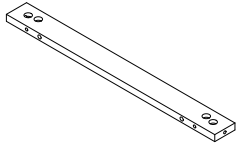
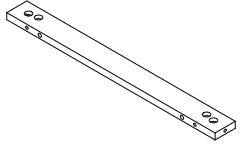
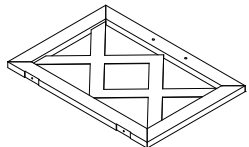
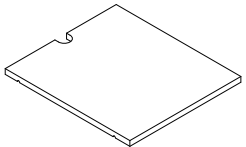
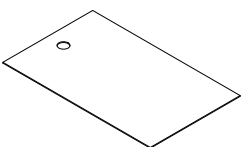
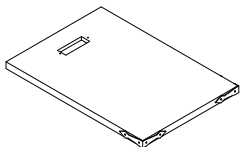


# ASSEMBLY INSTRUCTIONS

## Part List:



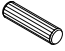



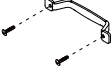
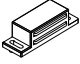

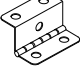

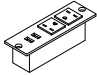
ITEM	DESCRIPTION	PART	QTY
1	Left side board		1
2	Right side board		1
3	Upper fixing board		1
4	Middle fixing board behind back board		1
5	Under fixing board behind back board		1
6	Front vertical bar of left		1
7	Front vertical bar of right		1
8	Bottom board		1

## Part List:

ITEM	DESCRIPTION	PART	QTY
9	Bottom back covering		1
10	Bottom front covering		1
11	Bottom left side covering		1
12	Bottom right side covering		1
13	Door		1
14	Shelf		1
15	Back board		1
16	Top board		1

# ASSEMBLY INSTRUCTIONS

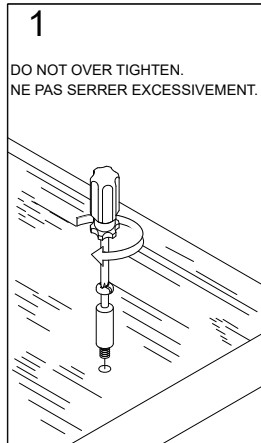
## Hardware List:

ITEM	DESCRIPTION	PART	QTY
A	7*39mm Cam bolt		24
B	Cam lock		24
C	8*30mm Dowel		32
D	3.5*14mm Screw		15
E	5*40mm Screw		4
F	Foot nail		4
G	Handle		1
H	Door stopper		1
I	Shelf support pin		4
J	Hinge		2
K	Door stopper		1
L	Socket		1

# Using Camlocks

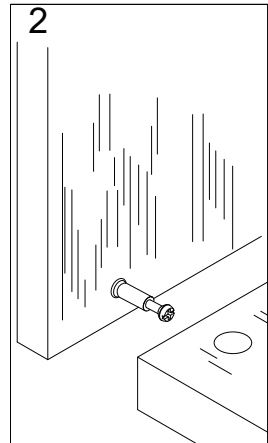
## Step 1

Connect the male camlock as directed in the assembly instructions using a screwdriver.



## Step 2

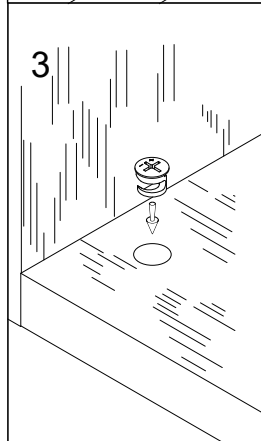
Push the male camlock into the entry hole.



## Step 3

Insert the female camlock as shown in the instructions.

Note: ensure that the arrow on the top of the camlock points towards the entry hole for the male camlock.

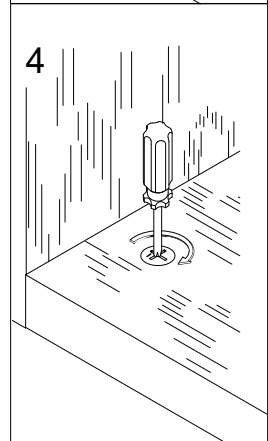


## Step 4

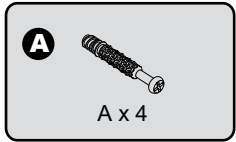
Turn the female camlock clockwise with a screwdriver.

You should feel a click when the camlock is locked in place.

The joint is now secure.

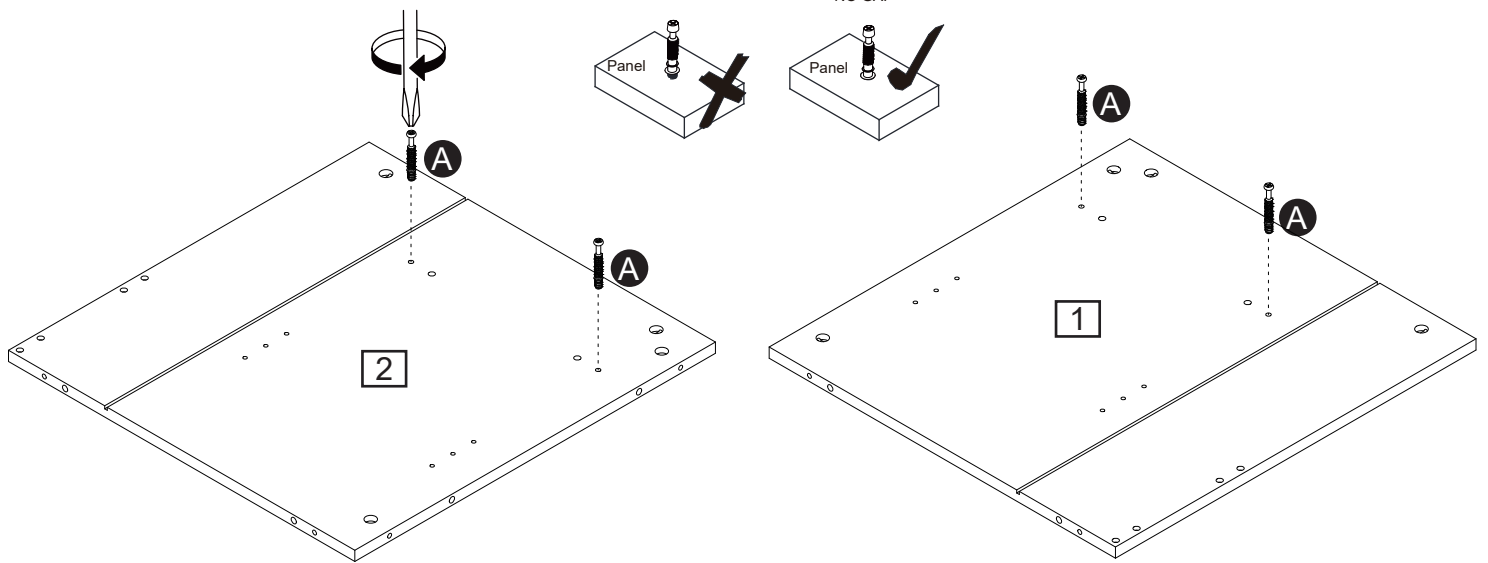
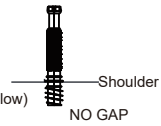


# 1

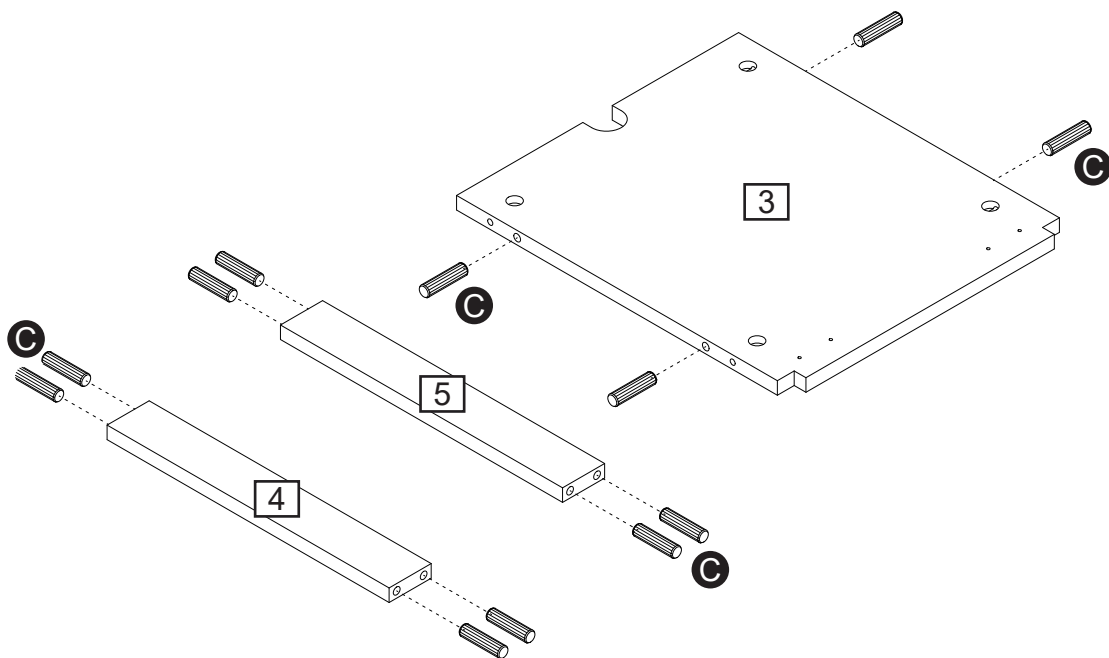
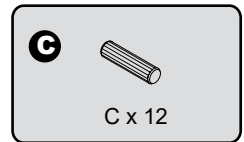


### CAM-LOCK

Tighten until shoulder is flush with panel. Do not overtighten or undertighten (see example below)

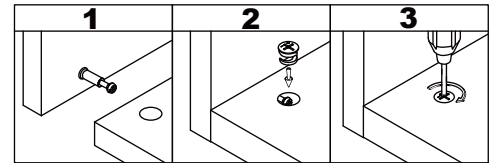
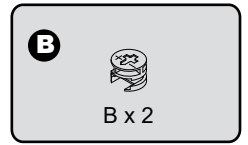
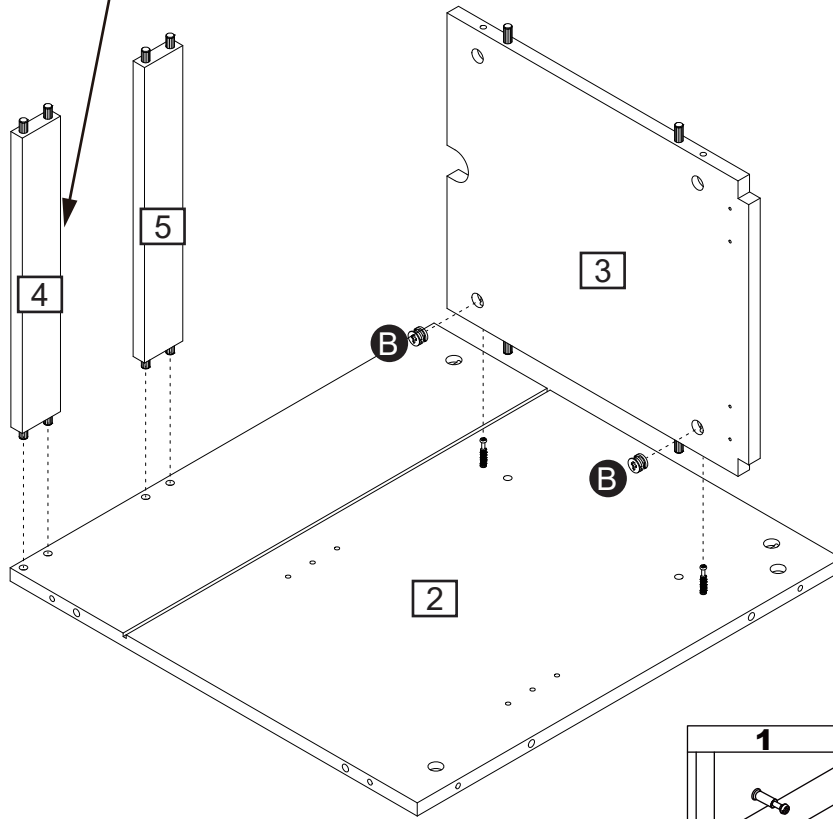


# 2

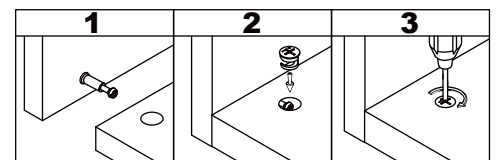
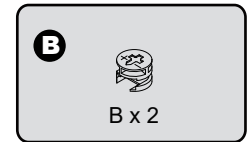
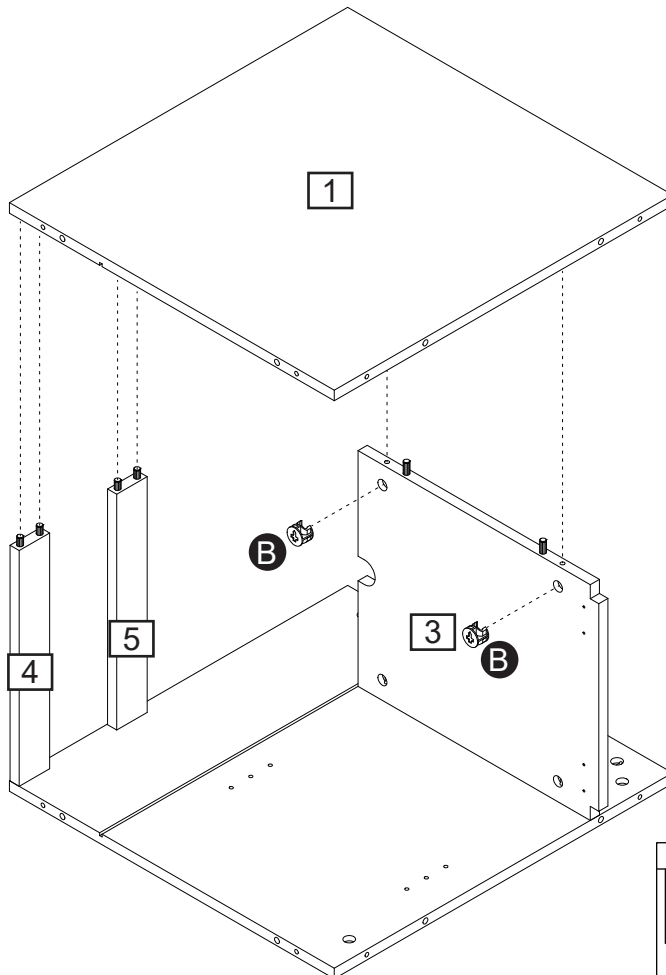


# 3

Edge Banding Here



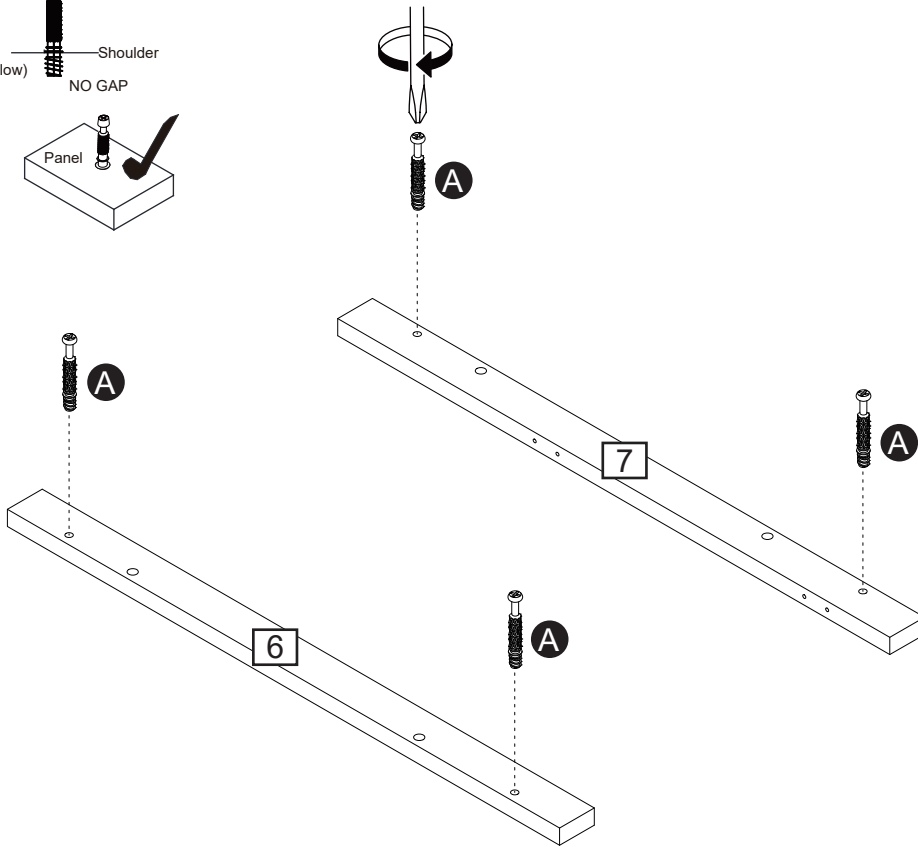
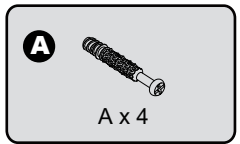
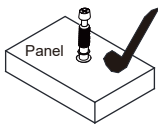
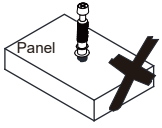
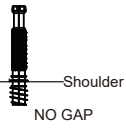
# 4



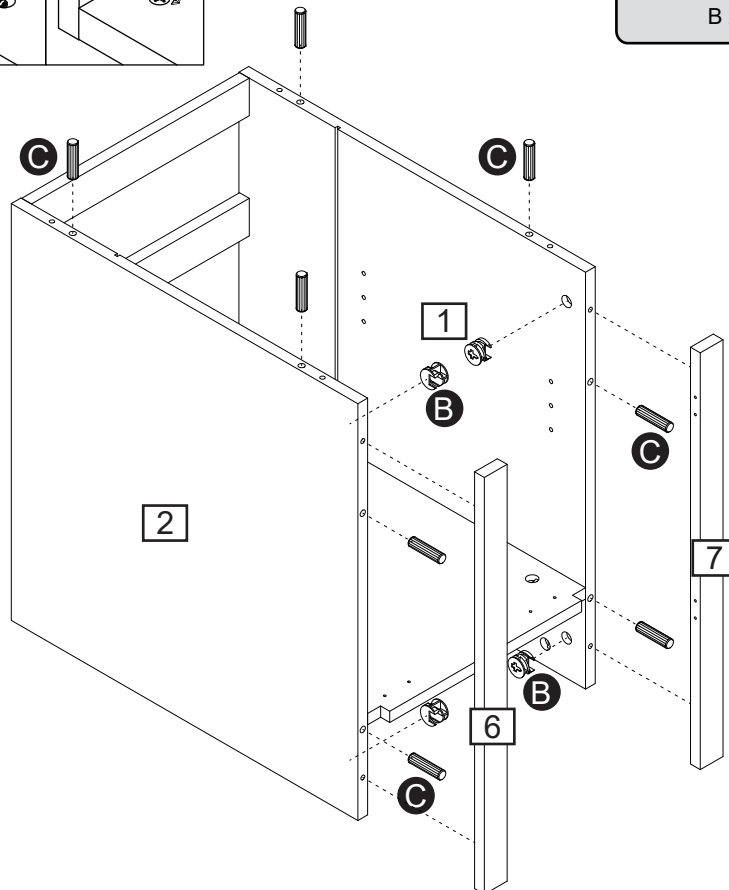
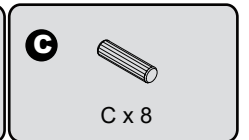
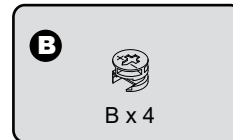
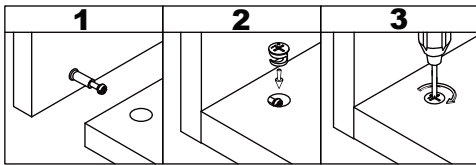
# 5

## CAM-LOCK

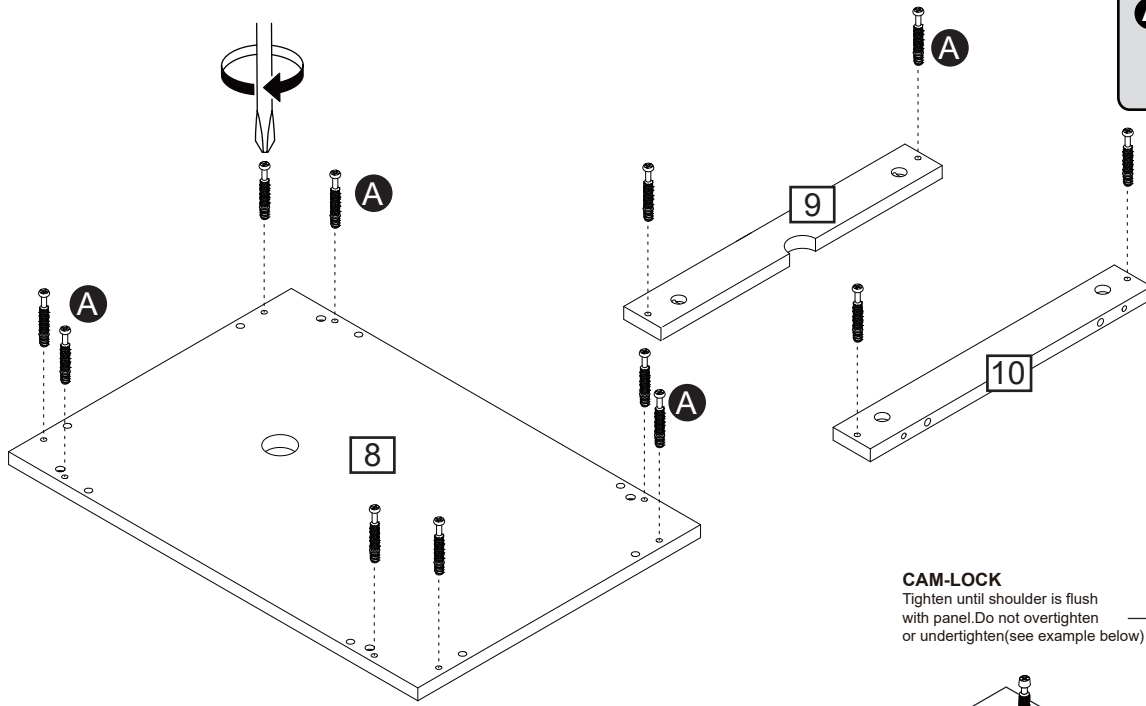
Tighten until shoulder is flush with panel. Do not overtighten or undertighten (see example below)




# 6

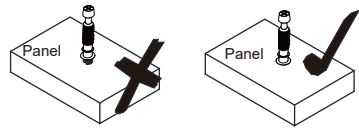
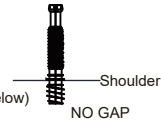


# 7

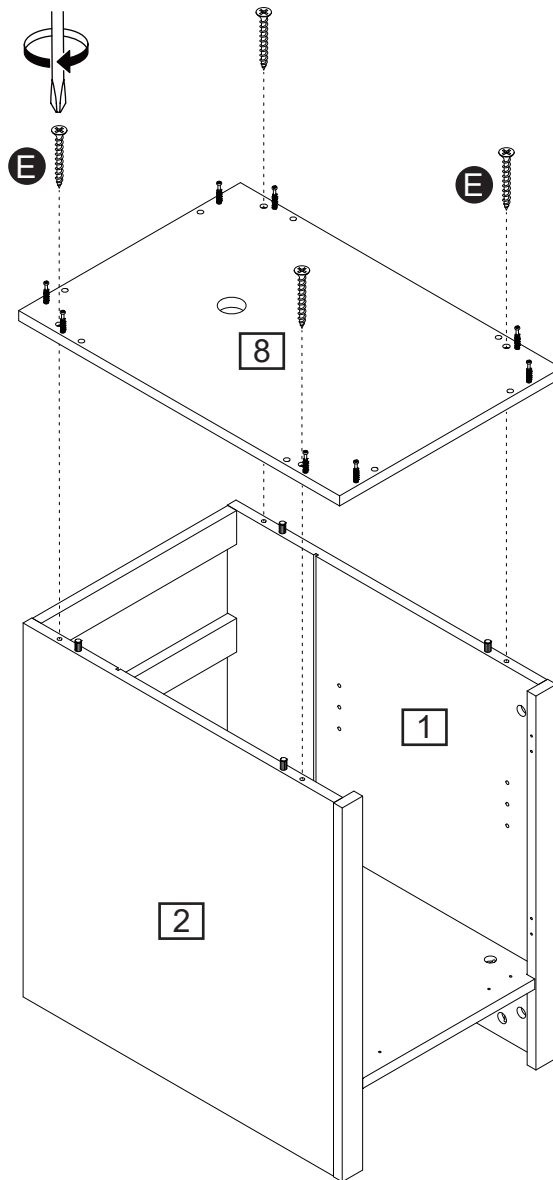


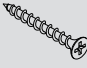
**A**   
A x 12

**CAM-LOCK**  
Tighten until shoulder is flush with panel. Do not overtighten or undertighten (see example below)

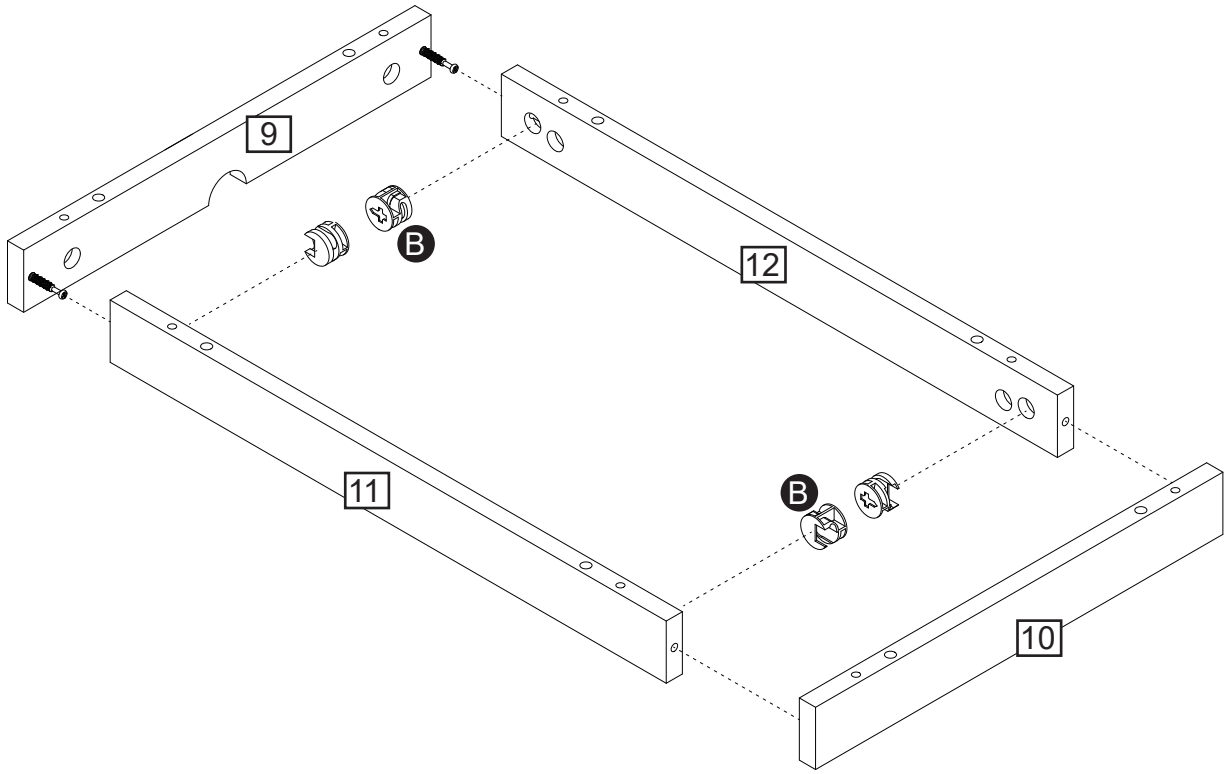
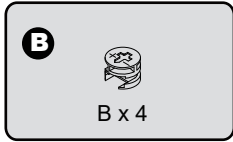
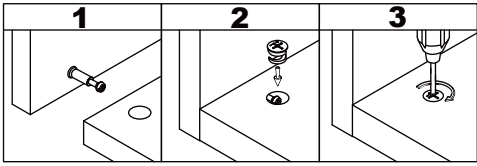


# 8

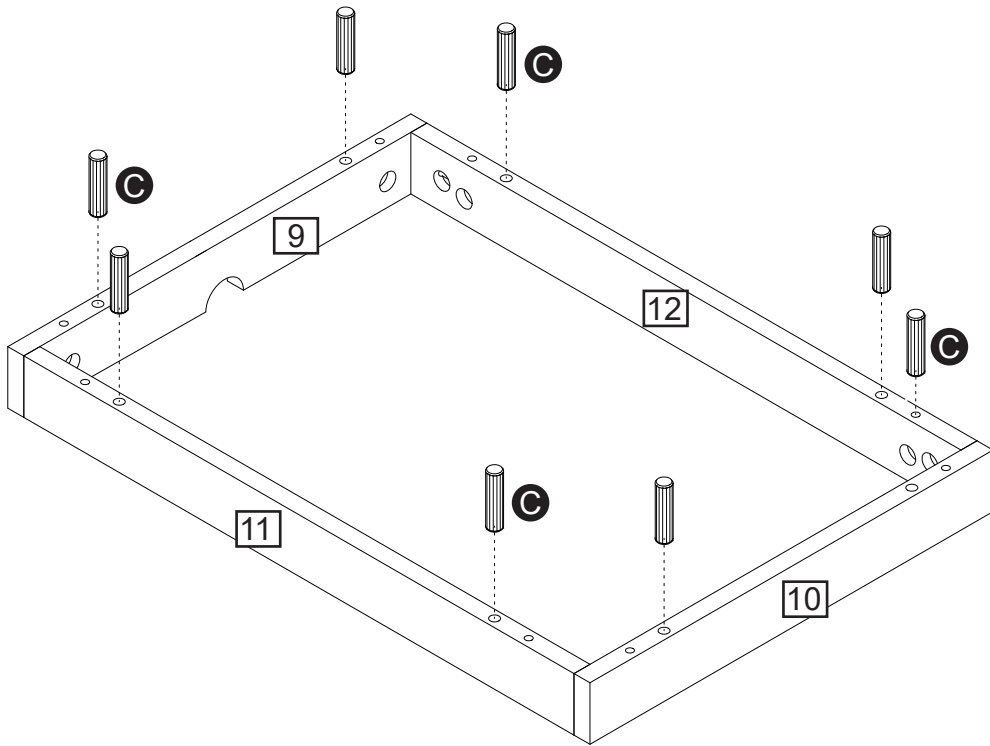
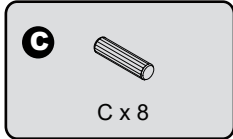


**E**   
E x 4

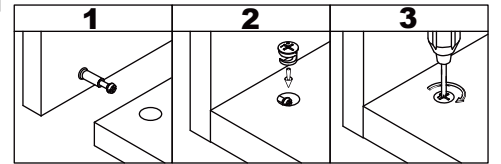
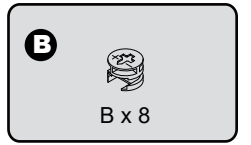
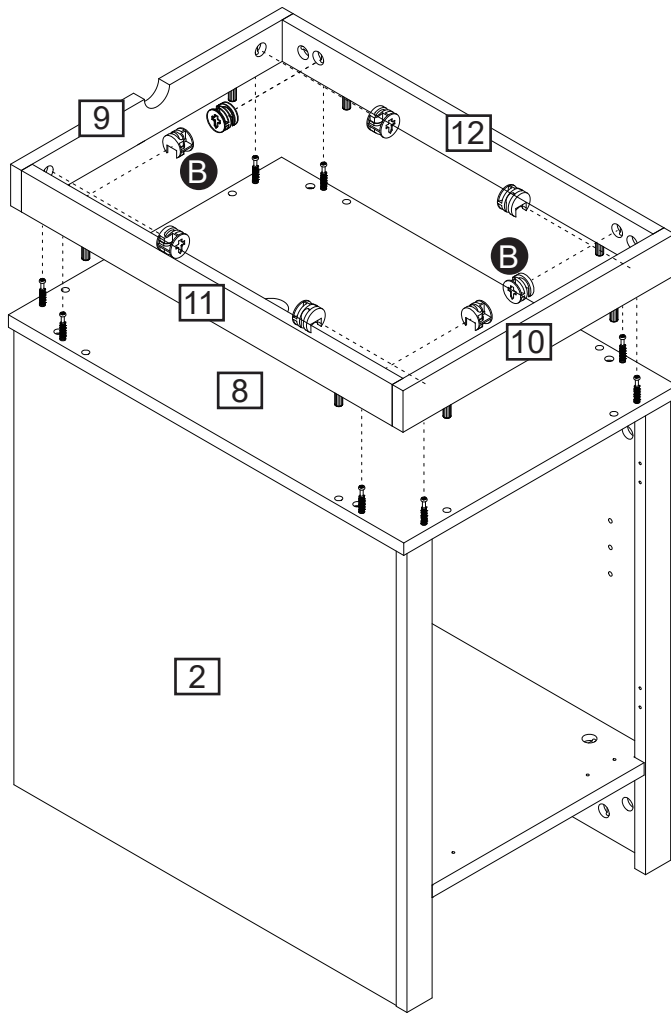
# 9



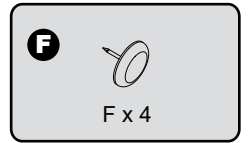
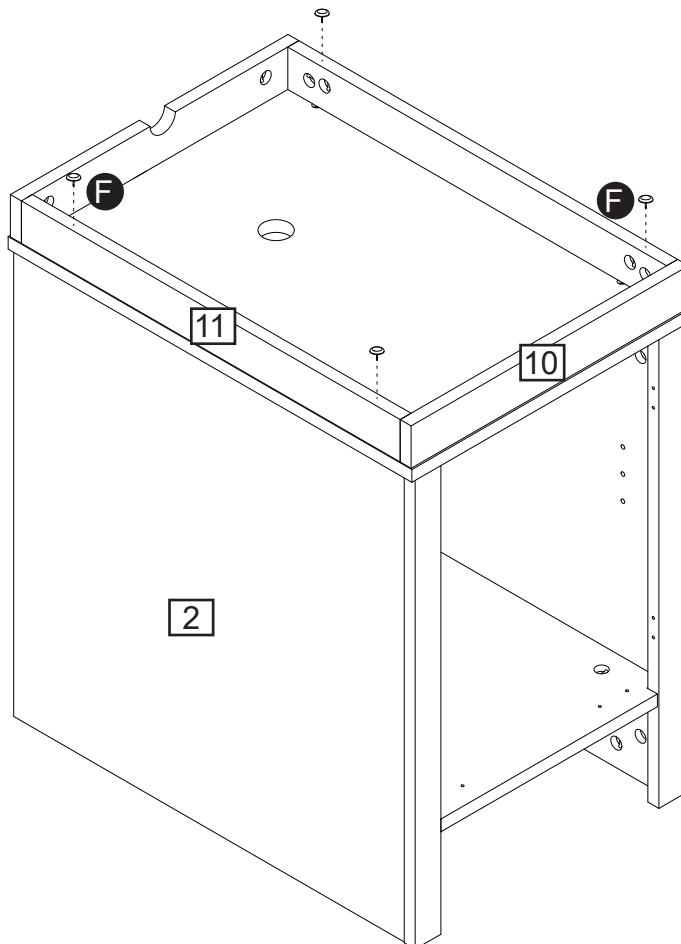
# 10



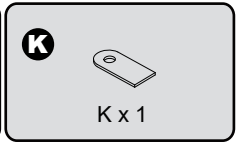
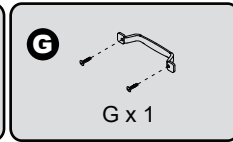
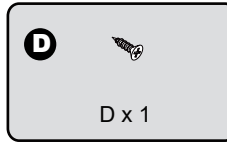
# 11



# 12



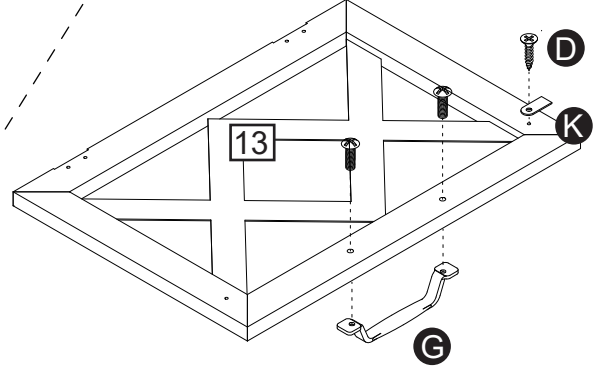
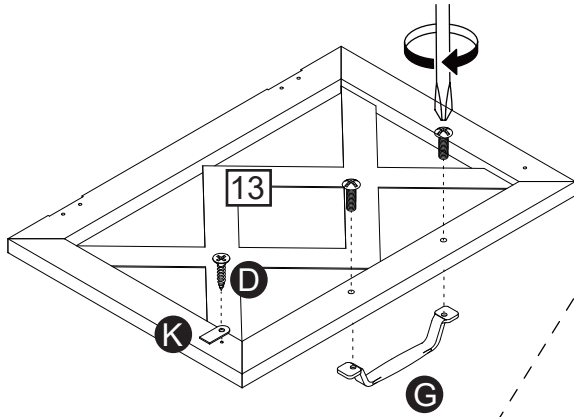
# 13



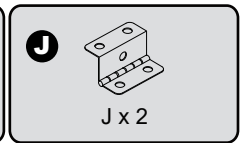
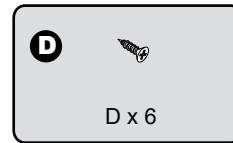
open to the left

or

open to the right



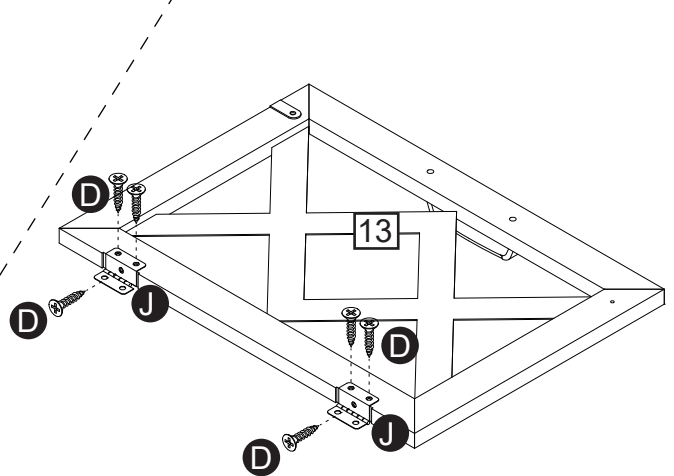
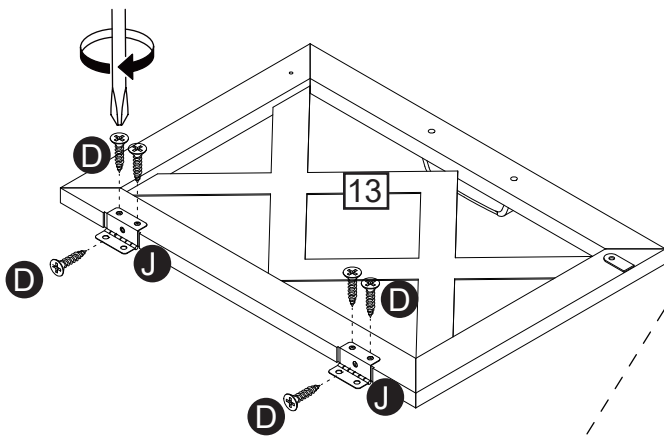
# 14



open to the left

or

open to the right



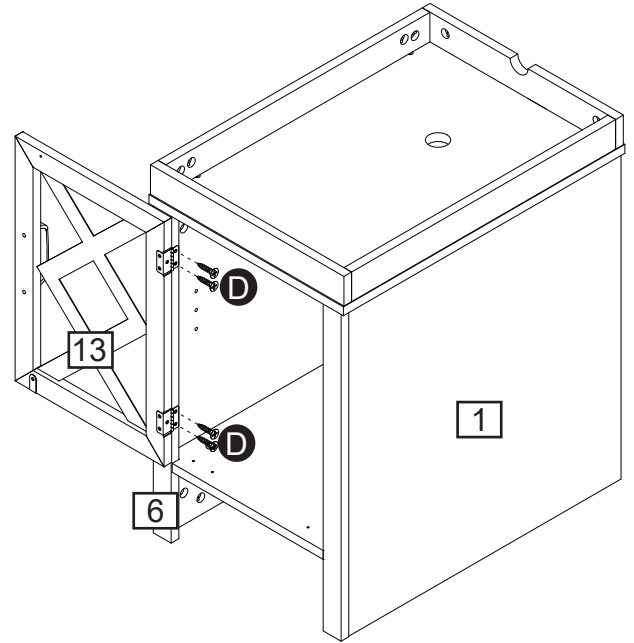
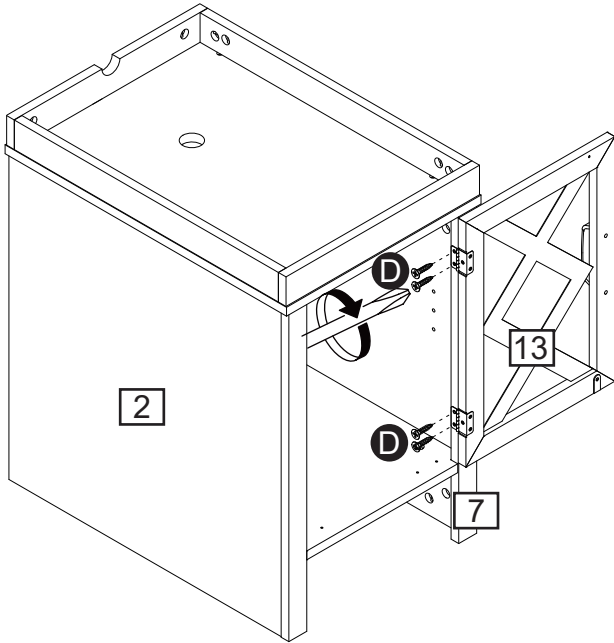
# 15



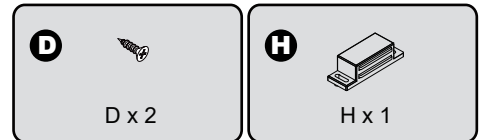
open to the left

or

open to the right



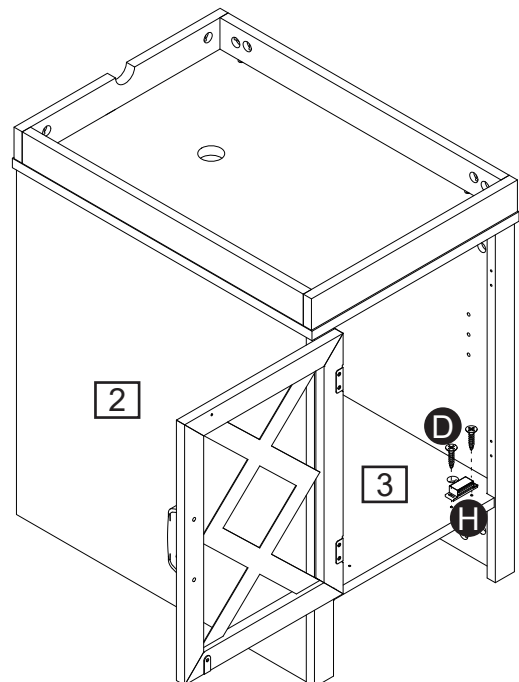
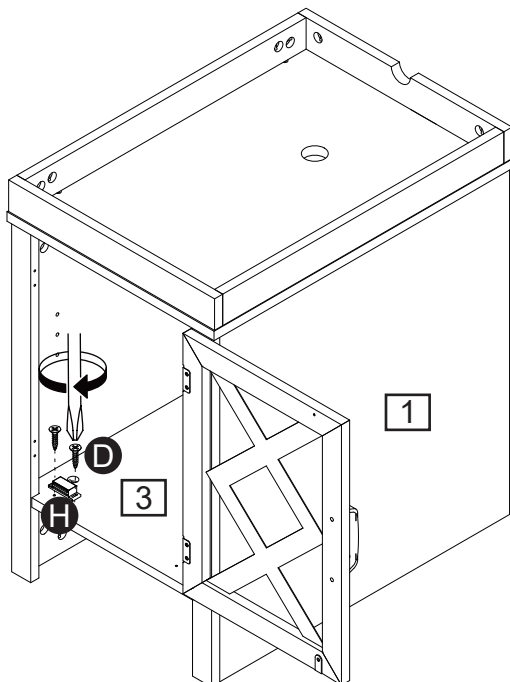
# 16



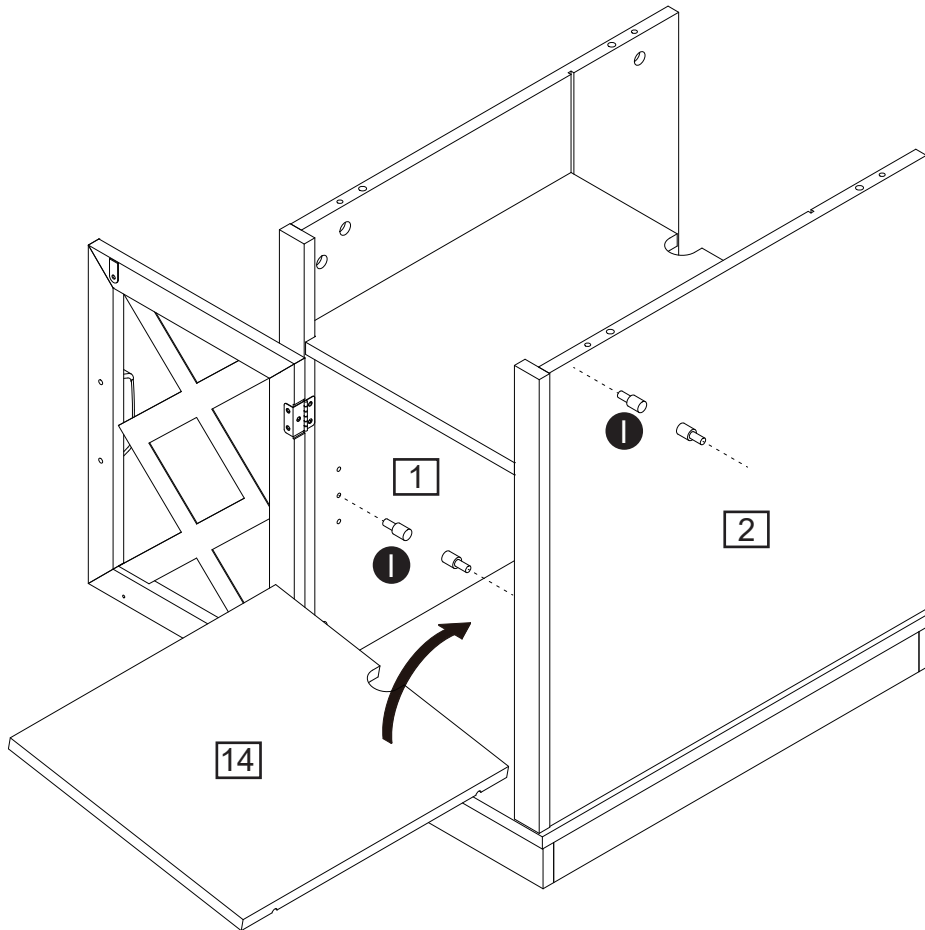
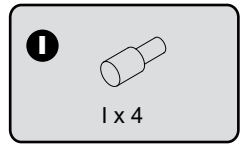
open to the left

or

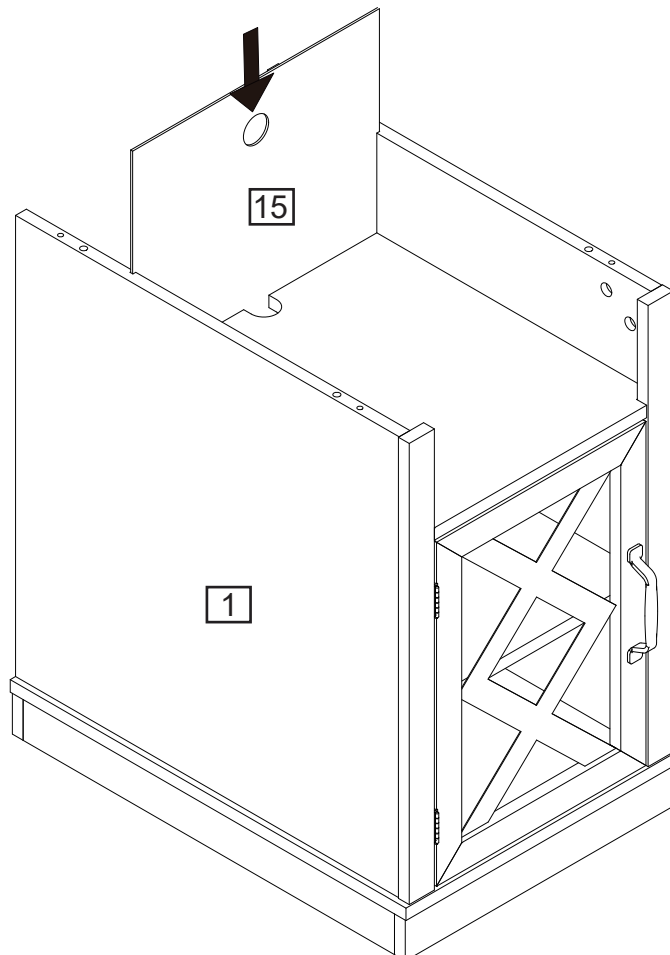
open to the right



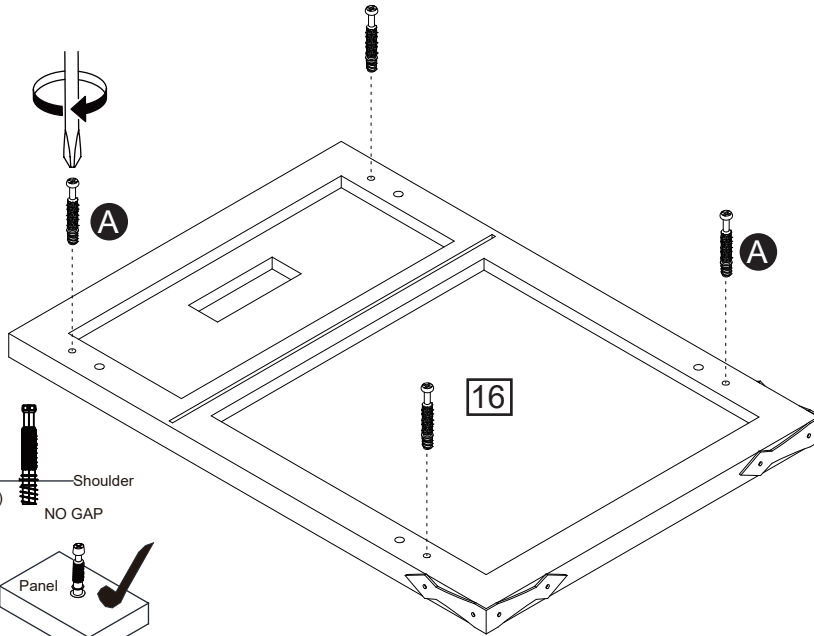
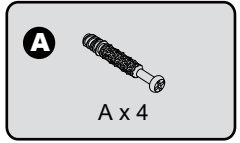
# 17



# 18



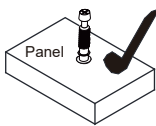
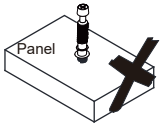
# 19



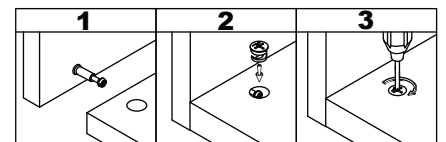
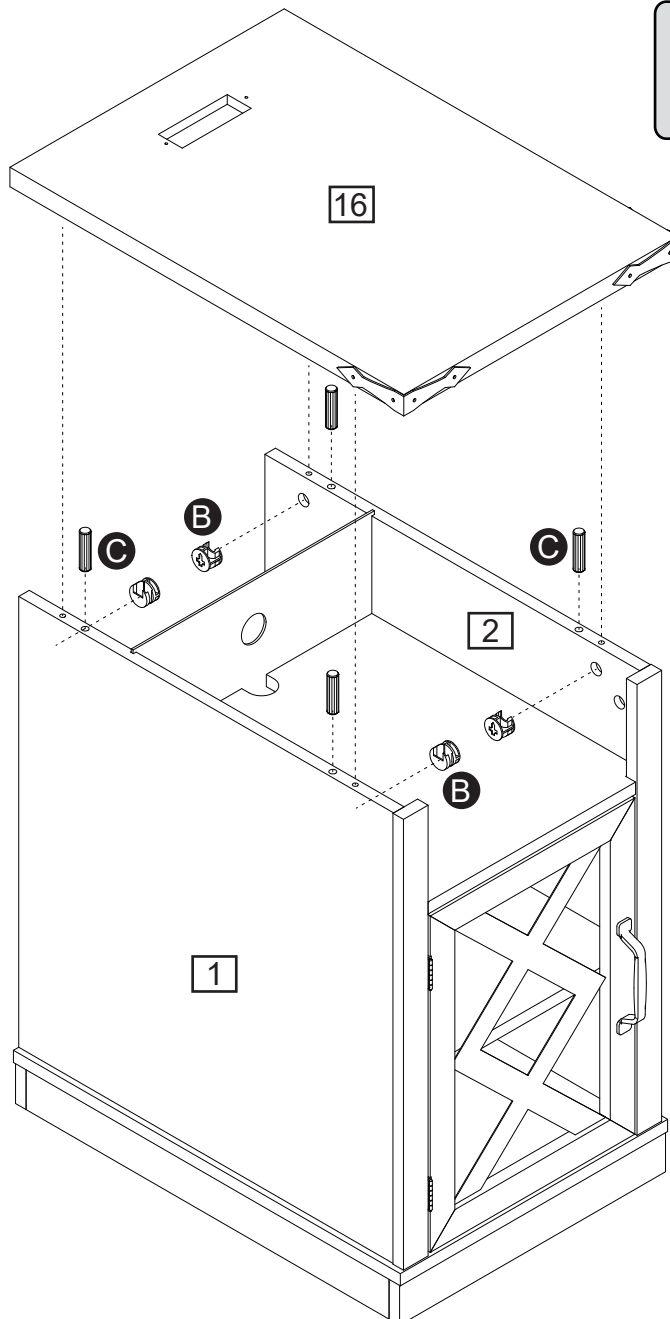
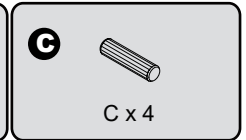
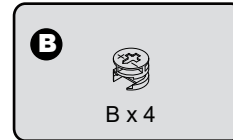
## CAM-LOCK

Tighten until shoulder is flush with panel. Do not overtighten or undertighten (see example below)

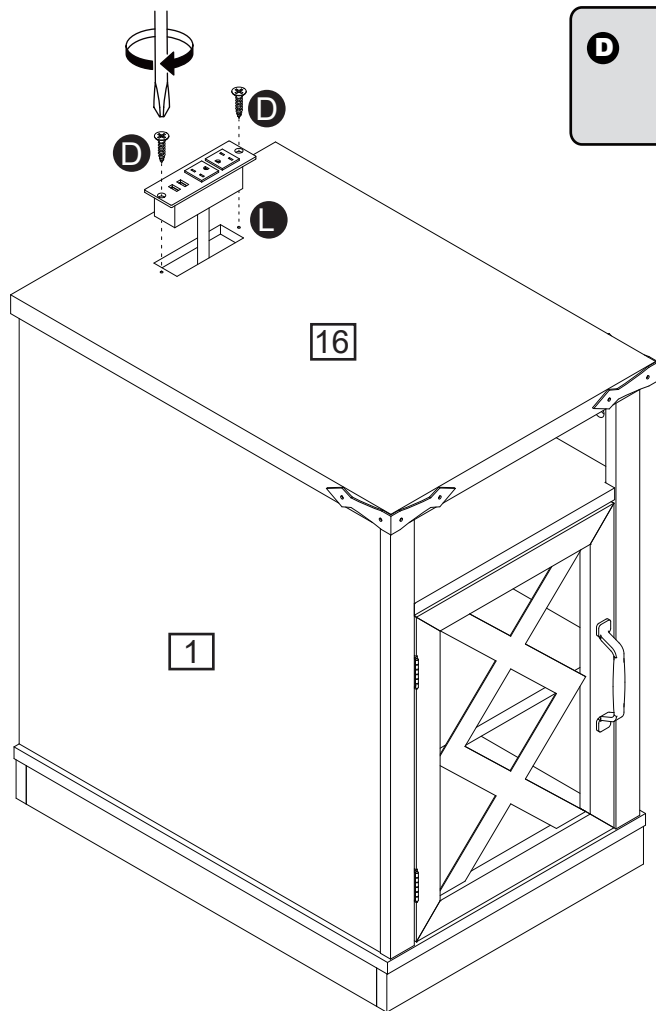
Shoulder  
NO GAP




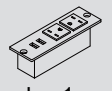
# 20



# 21



**D**   
D x 2

**L**   
L x 1

# 22

