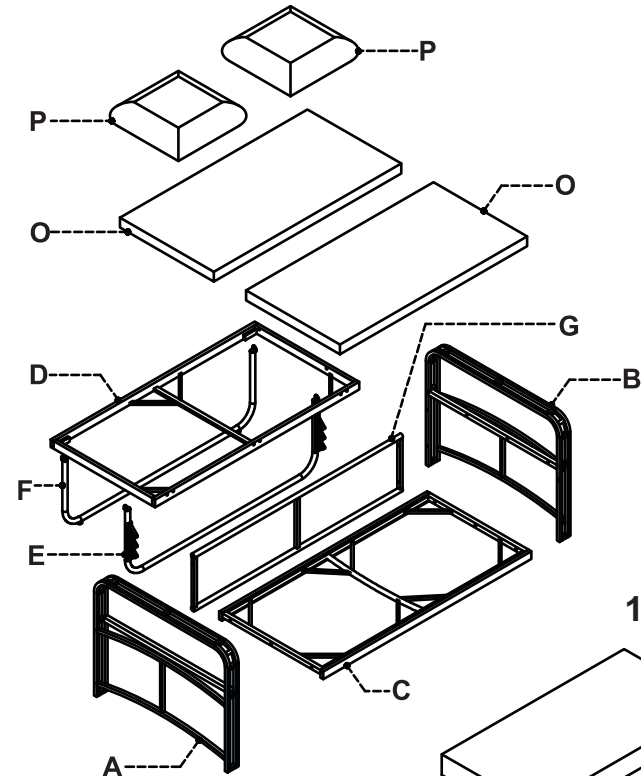




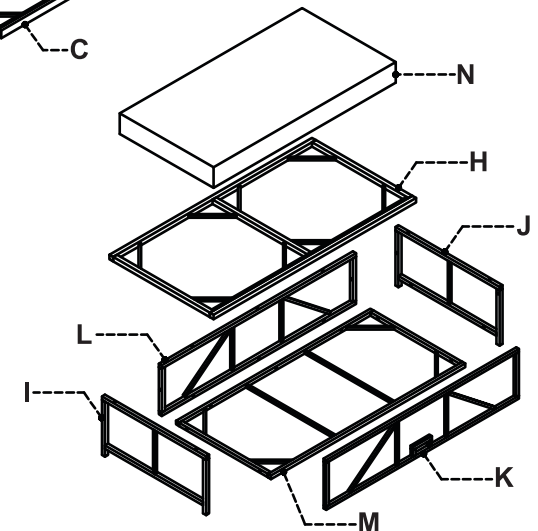
Before You Start

- ⚠ Please read all instructions carefully.
- ⚠ Retain instructions for future reference.
- ⚠ Separate and count all parts and hardware.
- ⚠ Read through each step carefully and follow the proper order.
- ⚠ We recommend that, where possible, all items are assembled near to the area in which they will be placed in use, to avoid moving the product unnecessarily once assembled.
- ⚠ Always place the product on a flat, steady and stable surface.
- ⚠ Keep all small parts and packaging materials for this product away from babies and children as they potentially pose a serious choking hazard.

1 x Sofa



1 x Footstool



Notice

- 1.50% Tighten before fixing all screws, Allen wrench is recommended instead of an electric drill.
2. Place the item on a flat ground to adjust and make sure it remains stable.
3. Tighten up all screws with tools gradually.
4. If the screws are not aligned with holes during assembly, please loosen all the other screws to 50% and continue the assembly process.
5. If the item is not stable, please loosen all the screws, adjust it on a flat ground and tighten up all screws again.
6. Note: If one or some screws are fully tightened during assembly, chances are the others will not be aligned with holes. In addition, all the holes are designed to be relatively larger to provide more space for the adjustment of the screws.

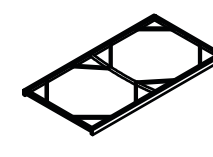
Part List



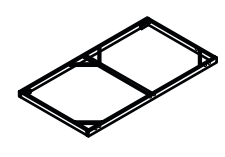
Ⓐx1



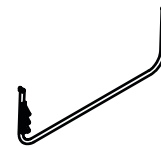
Ⓑx1



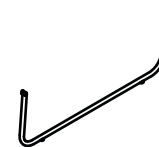
Ⓒx1



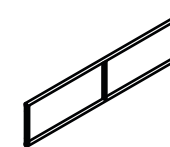
Ⓓx1



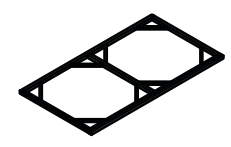
Ⓔx1



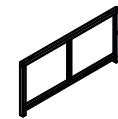
Ⓕx1



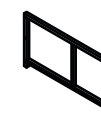
Ⓖx1



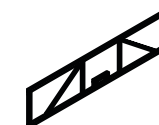
Ⓖx1



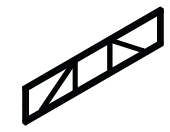
Ⓖx1



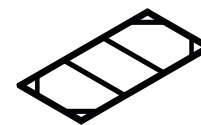
Ⓖx1



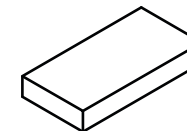
Ⓖx2



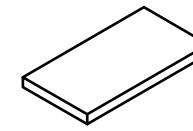
Ⓖx2



Ⓖx1



Ⓖx1













Ⓖx2

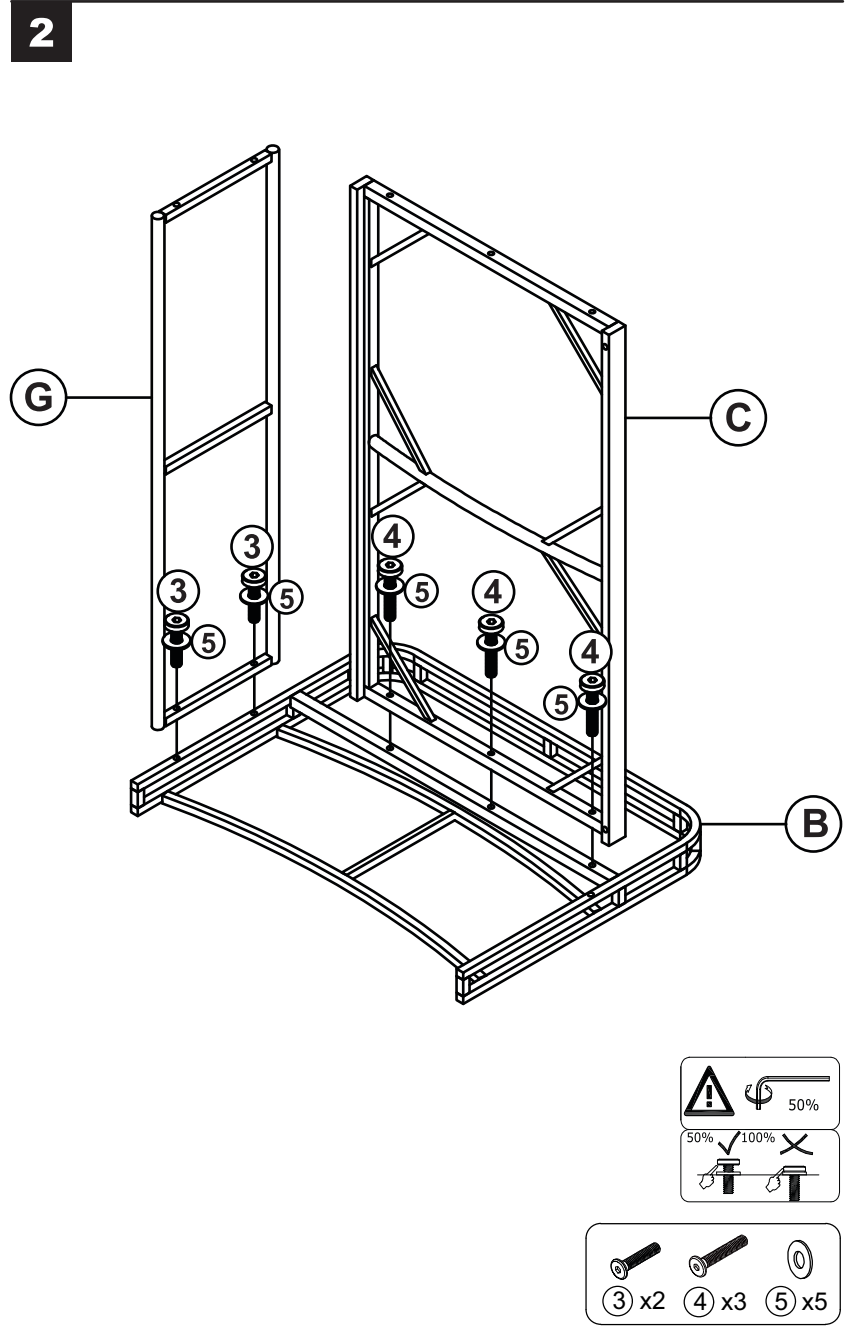
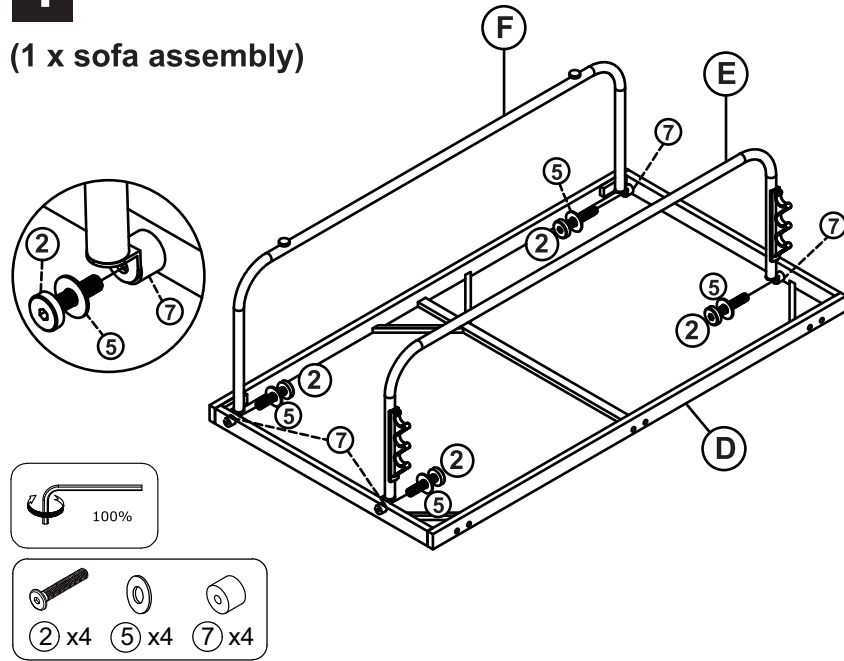


Ⓖx2

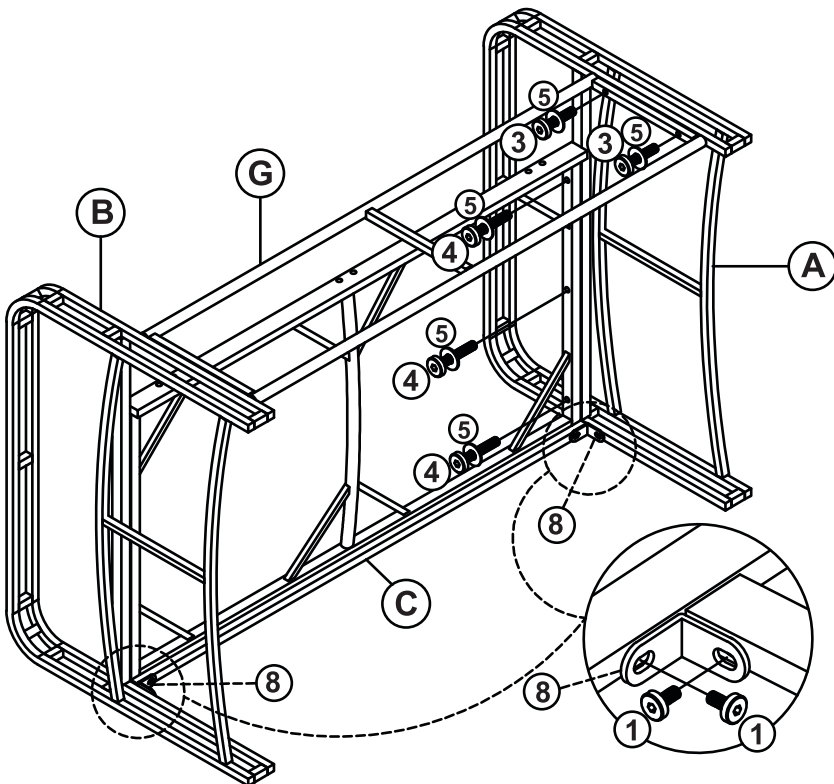
Hardware List

 M6x15 mm ① X16 Bolt	 M6x30 mm ② X4 Bolt	 M6x35 mm ③ X22 Bolt	 M6x40 mm ④ X6 Bolt
 M6x1 ⑤ X32 Washer	 M6x5 ⑥ X2 Plastic washer	 M6x15 ⑦ X4 Plastic washer	 ⑧ X2
 ⑨ X3 Hinge	 M4 ⑩ X2 Allen key		

1 (1 x sofa assembly)



3

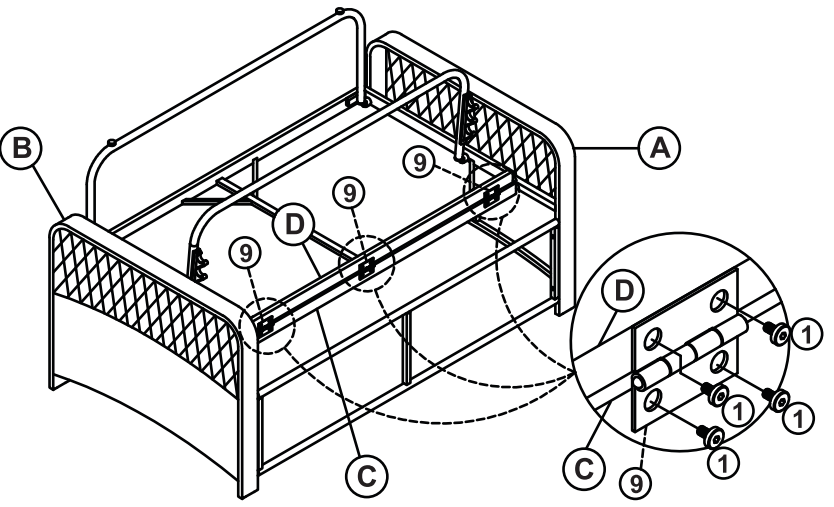


⚠ 50%

50% ✓ 100% ✗

① x4 ③ x2 ④ x3 ⑤ x5 ⑧ x2

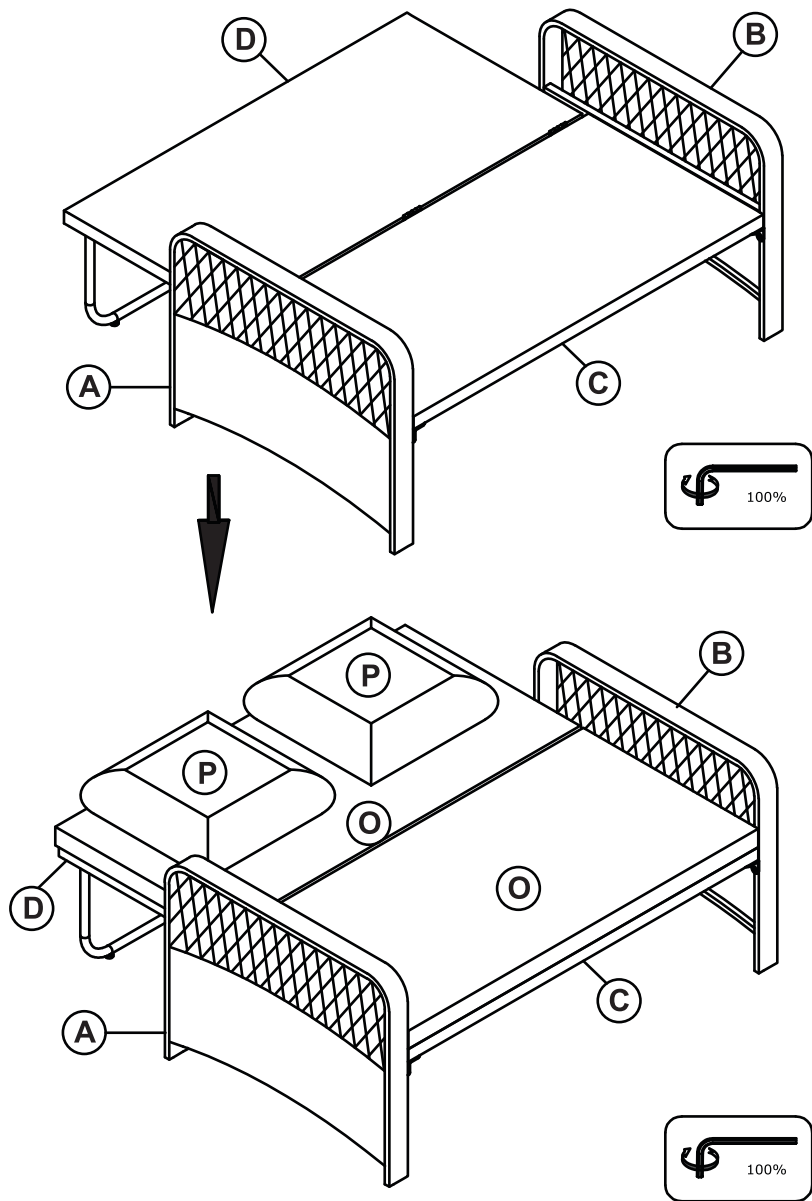
4



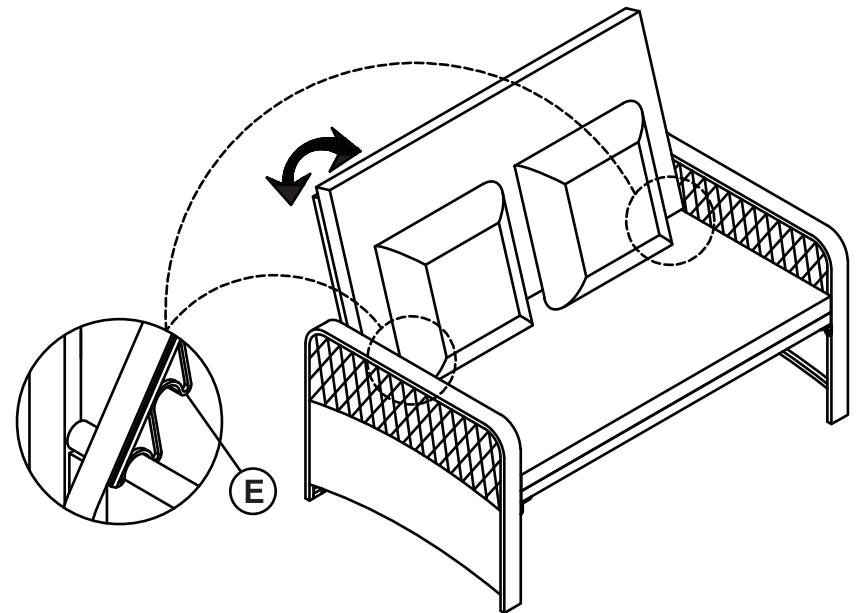
100%

① x12 ⑨ x3

5

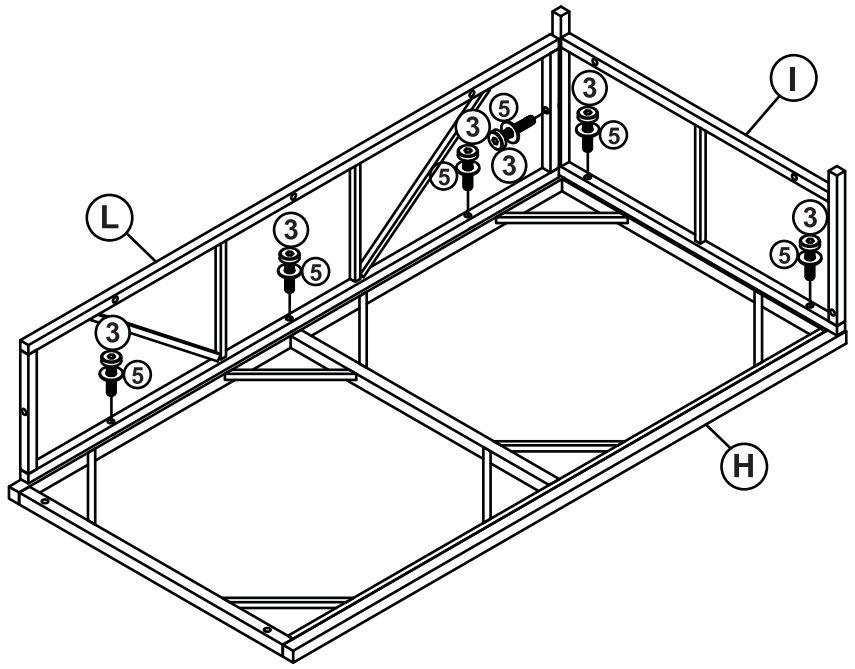


6



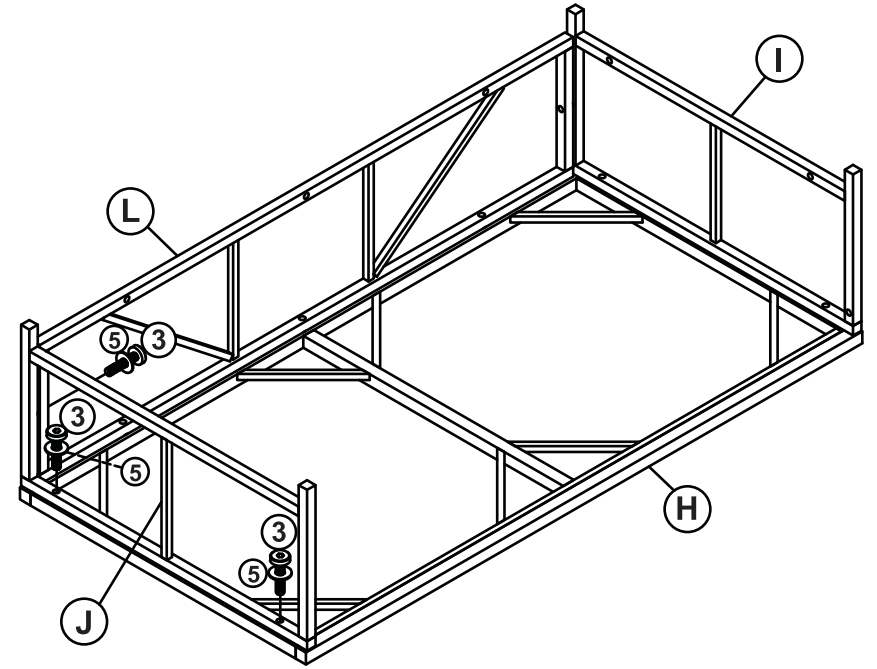
7

(1 x footstool assembly)



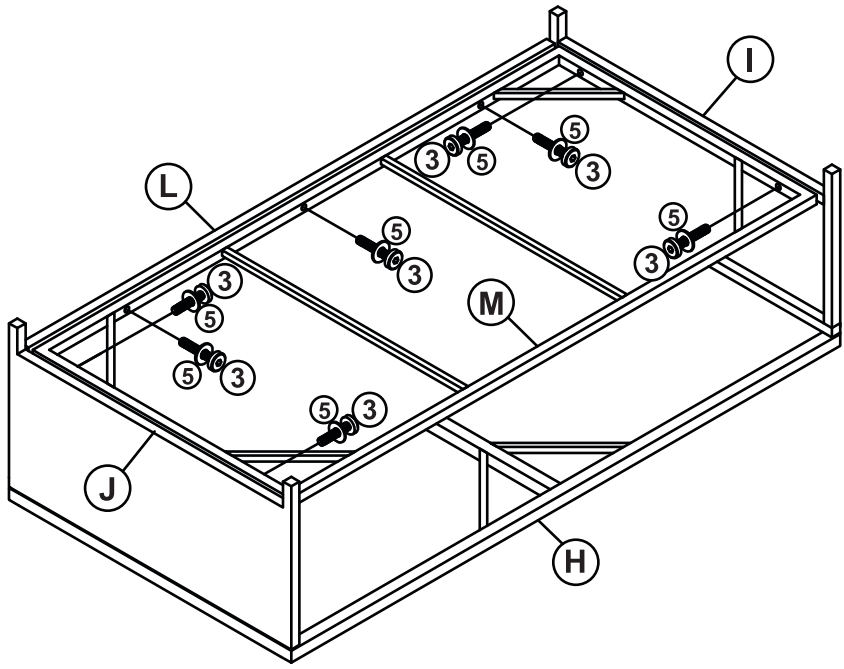
⚠️ 50%
50% ✓ 100% ✗
③ x6 ⑤ x6

8



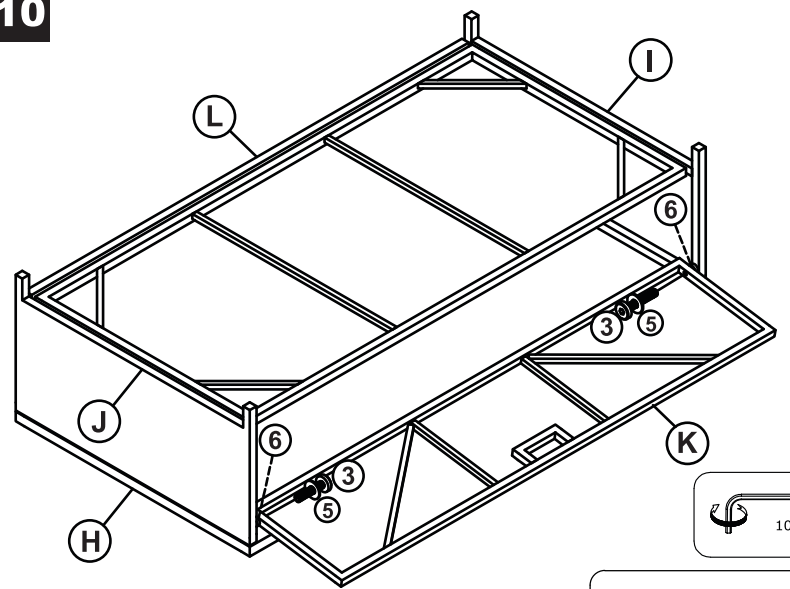
⚠️ 50%
50% ✓ 100% ✗
③ x3 ⑤ x3

9

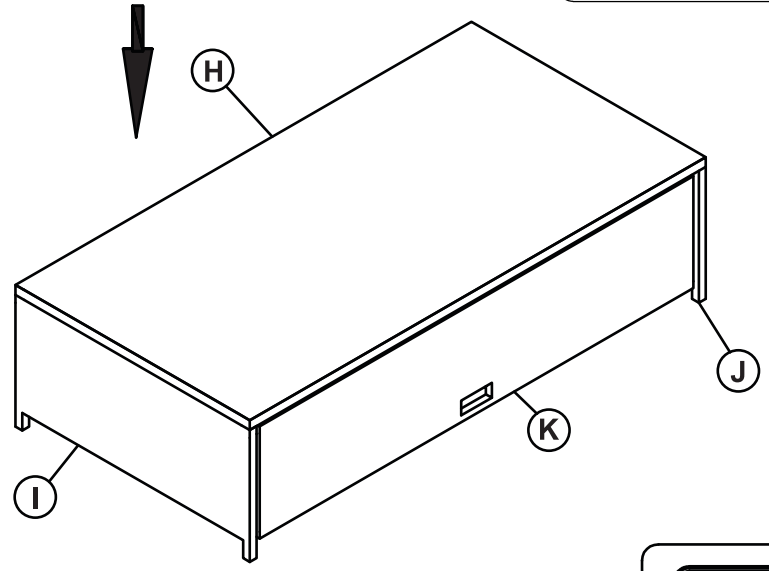


⚠️ 50%
 50% ✓ 100% ✗
 ③ x7 ⑤ x7

10

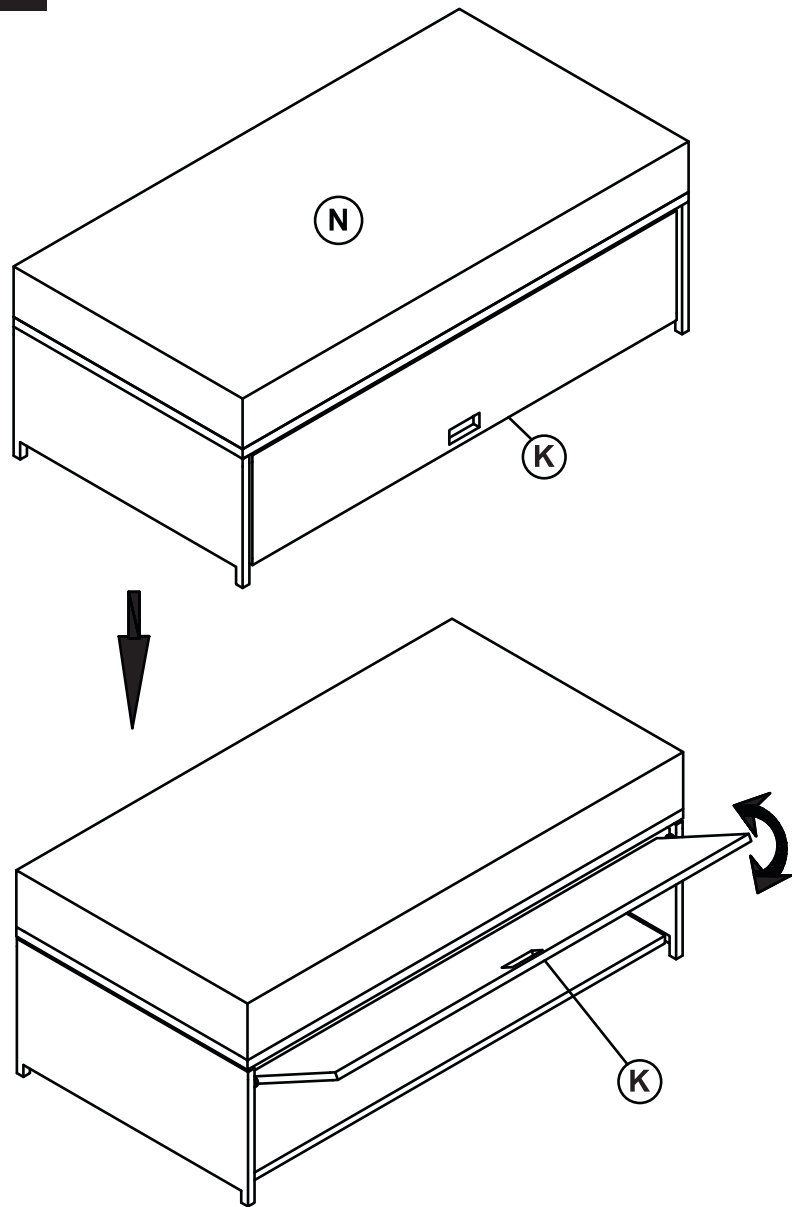


100%
 ③ x2 ⑤ x2 ⑥ x2

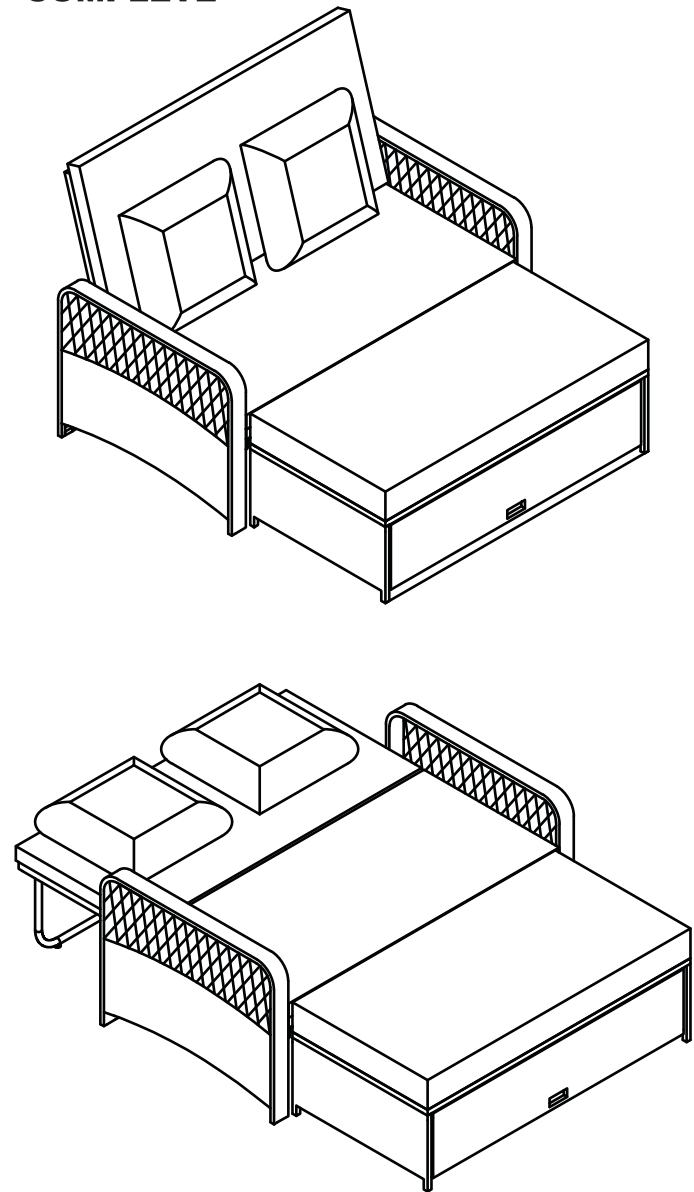


100%

11



12 COMPLETE



13 COMPLETE

