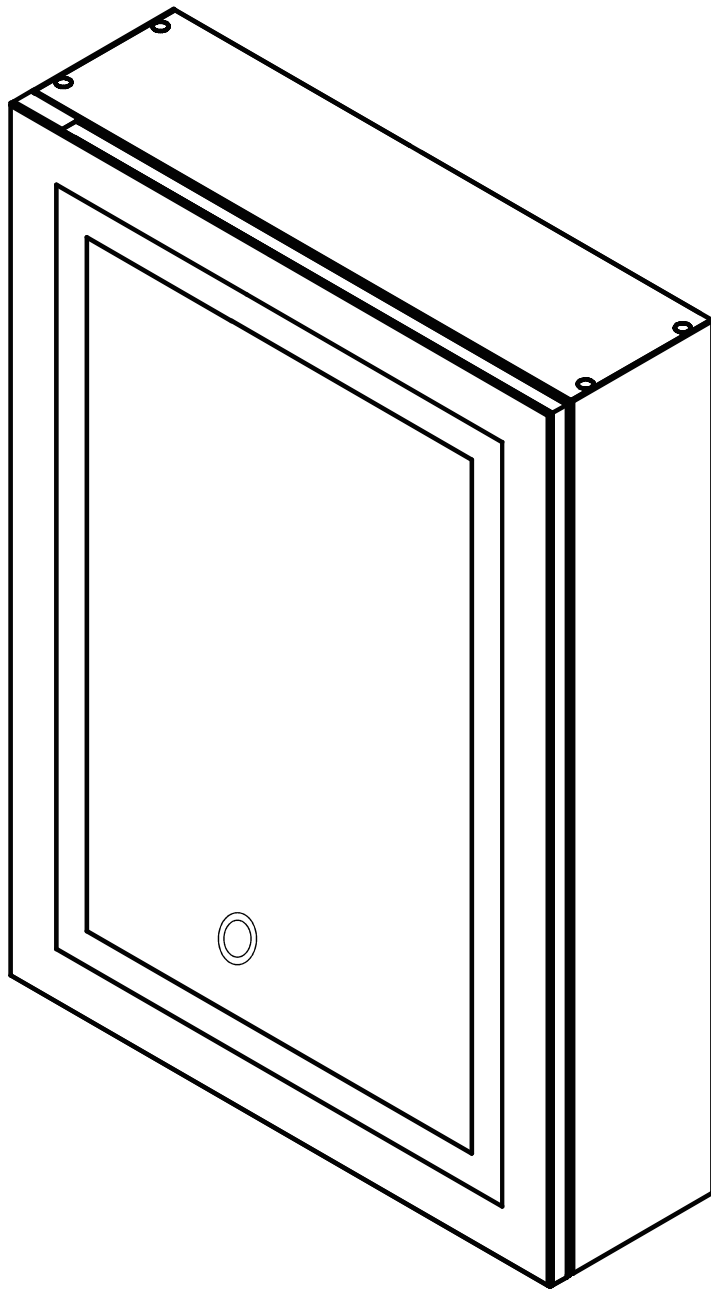


INSTALLATION INSTRUCTIONS

DeerValley®

Lighted Medicine Cabinet



IMPORTANT SAFETY INSTRUCTIONS

- Please carefully review these instructions to acquaint yourself with the necessary tools, materials, and installation steps. Follow the sections relevant to your specific installation to prevent costly errors. Alongside proper installation, ensure you read all operating and safety instructions.
- These instructions also include crucial care, cleaning, and warranty details, which should be conveyed to the consumer.
- Before proceeding with installation, thoroughly inspect the new fixture for any indications of damage.



WARNING: Risk of injury or product damage - Exercise caution when opening the door to avoid pinching fingers.



WARNING: Do not use acidic, alkaline cleaners, or alcohol to clean the surface. Please utilize a dampened cloth for cleaning.



CAUTION: Risk of electric shock
Electrical wiring may need relocation.

Grounding Instructions: This product must be grounded to reduce the risk of electric shock in the event of a short circuit, providing a path for electric current.



WARNING: Risk of electric shock - Improper use of the grounding plug can lead to electric shock.

- For repair or replacement, only qualified maintenance personnel should handle it.
- This product is pre-equipped with specific wires; when used with other products, wiring considerations must be taken into account, and connections should be handled by qualified service personnel.

BEFORE YOU BEGIN

Single Touch Switch

- To operate the switch on the mirror, simply touch it with your finger.
- A single touch will turn the light on or off.
- Tap the switch on the mirror with your finger to change the light color.
- Hold the switch on the mirror with your finger for more than 5 seconds to adjust the light brightness.
- When the light is on, the defogging function activates. Conversely, when the light is off, the defogging function is deactivated.



Required Tools (Not Included)



Electric Drill



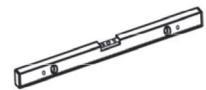
Drilling Bit (Φ8mm)



Tape



Pencil



Spirit Level

Supplied Spare Part



Wall Plugs × 3



Screws × 3



Hanger × 1

Electrical Safety Instructions

All connections must be installed by a licensed electrician in compliance with prevailing building codes. It is advisable to consult a qualified electrician for proper installation.

Installation Care & Safety

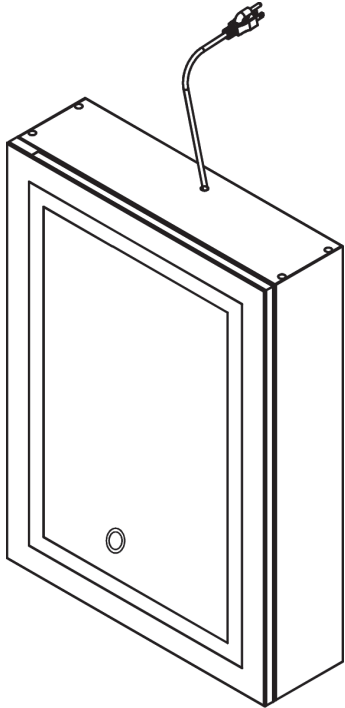
Wear appropriate eye protection when drilling and exercise caution when using power tools. Be mindful of hidden cables or pipes to avoid damaging them. Exercise caution when drilling on tiled surfaces to prevent slippage. Applying a piece of masking tape to the wall before marking out the fixing holes can help prevent the drill from wandering.

Important

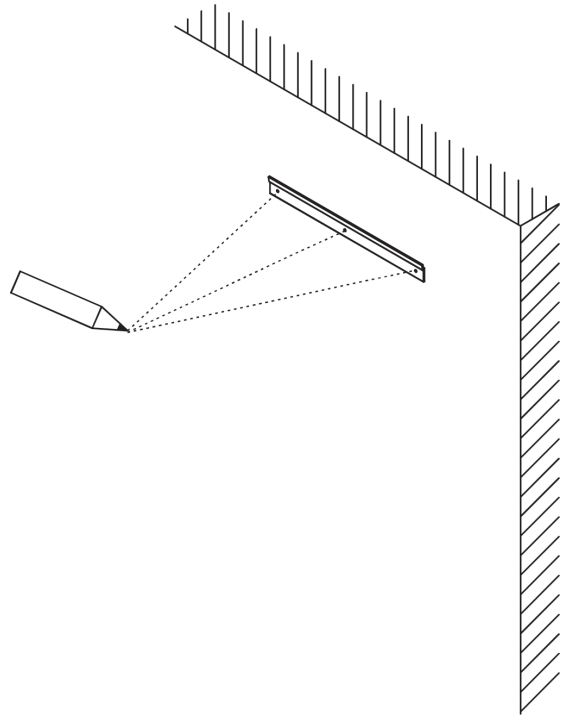
For safety and preservation of glass components, it's crucial to avoid striking them with hard or pointed items. Additionally, refrain from placing extremely hot or cold objects in close proximity to glass surfaces unless adequately insulated with appropriate materials to prevent direct contact. If any glass component becomes chipped or broken, it should be promptly replaced to mitigate safety risks and prevent further damage.

INSTALLATION STEPS

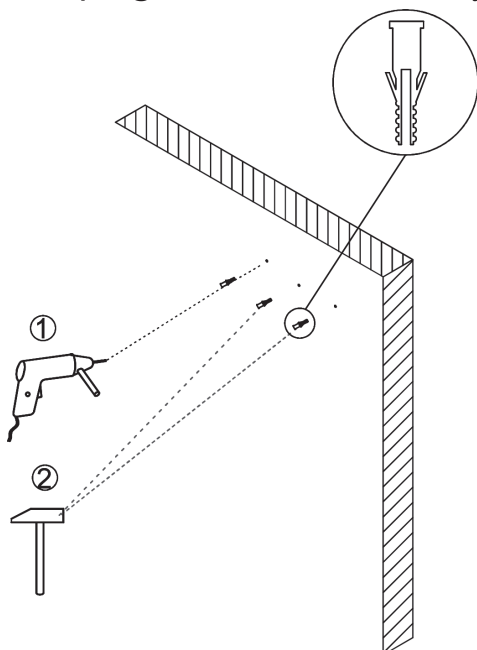
1. Unbox both the product and the hanger. Remove them from their packaging.



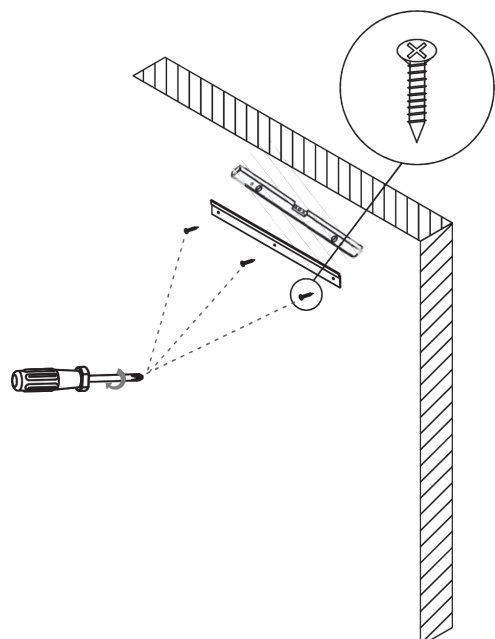
2. Use the holes on the hanger as a guide to mark the wall where you want to hang the cabinet.



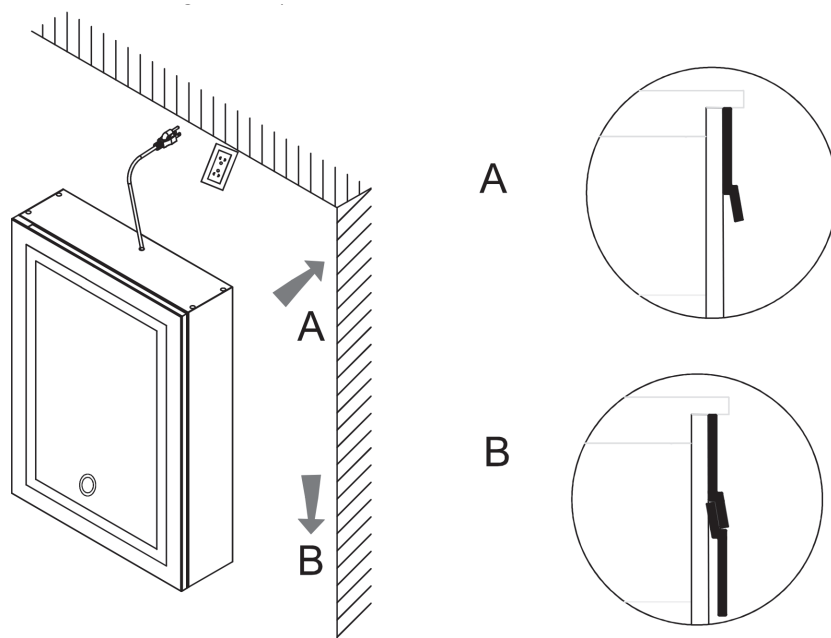
3. Drill holes at the marked spots and insert wall plugs for added stability.



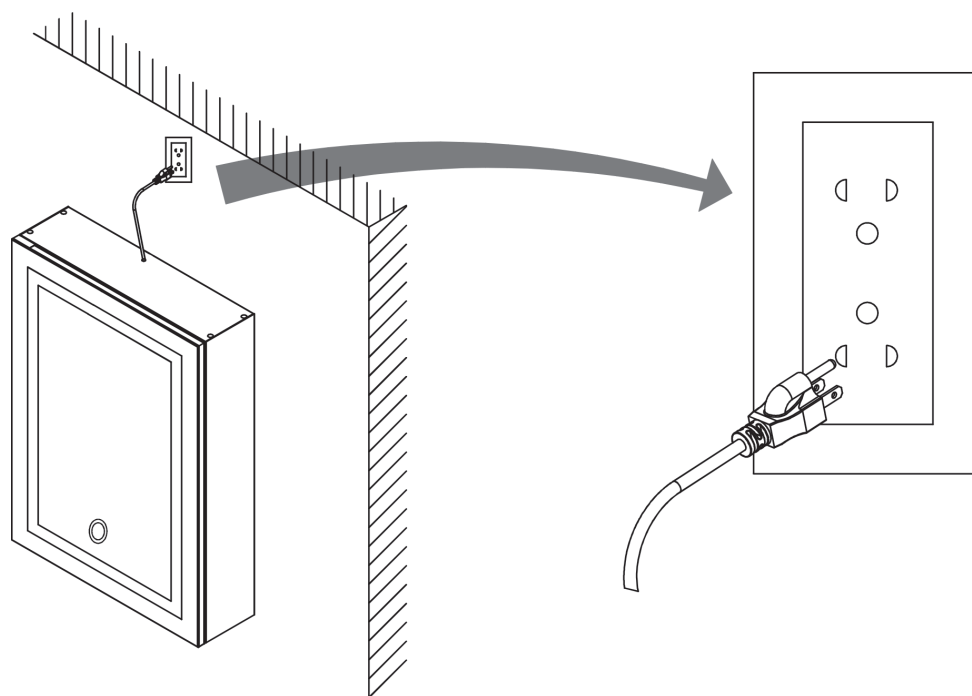
4. Securely attach the hanger to the wall using screws, ensuring it is firmly in place.



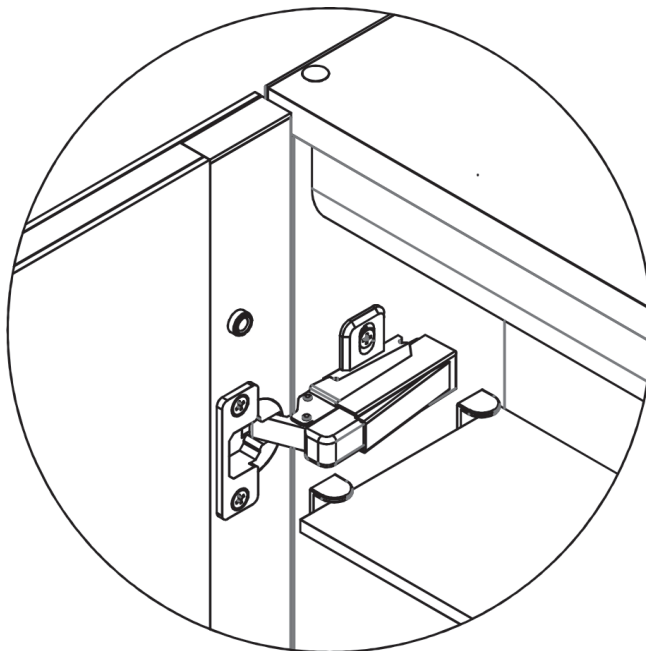
5. Hang the cabinet on the wall bracket, ensuring that the claws on the cabinet hangers securely locate on the wall bracket (You can adjust the position of the cabinet by about 10mm for the left or right side if necessary).



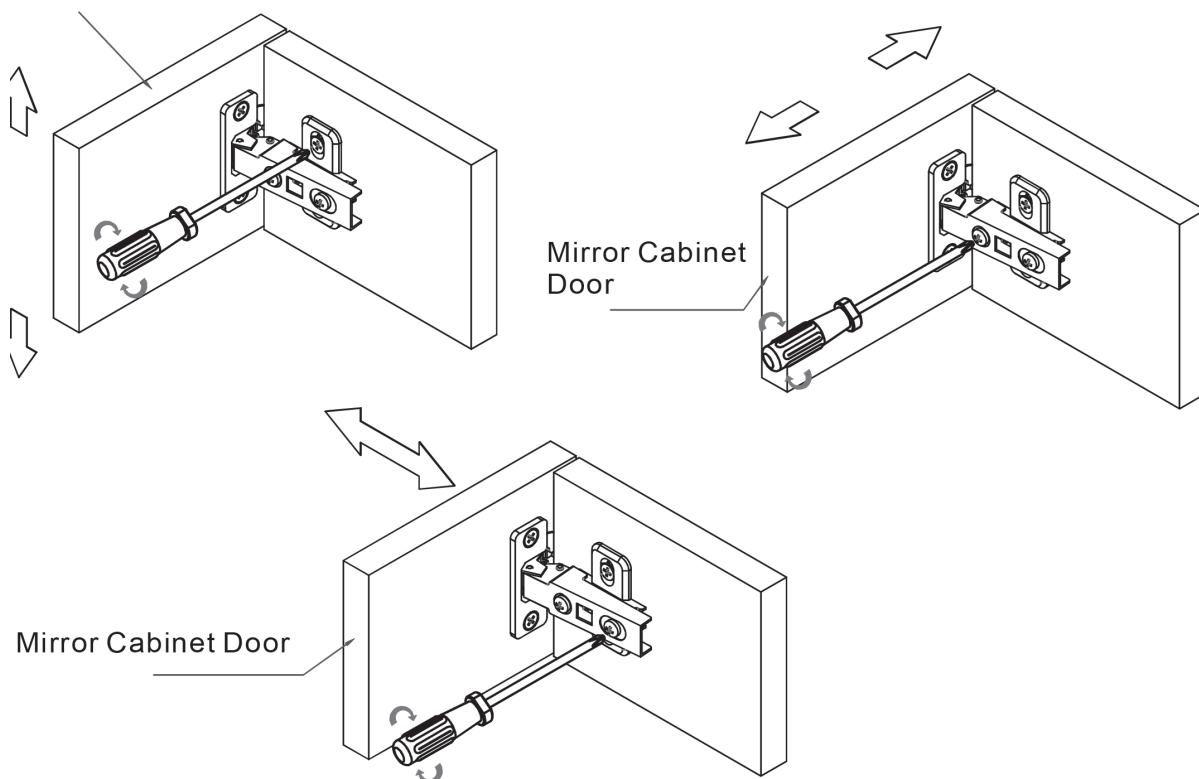
6. Plug in the power supply, taking care to follow electrical safety guidelines and ensuring a proper connection.



7. Adjust the cabinet door as needed to ensure it opens and closes smoothly.



Mirror Cabinet Door



LIMITED WARRANTY COVERAGE

1 YEAR LIMITED WARRANTY

DeerValley products are made with quality materials and excellent craftsmanship to provide the customers a long-lasting product. In the case of any defects in materials or craftsmanship under regular use were inspected in the first one year of delivery, DeerValley will provide replacement parts at no charge, or at its option, replace any product or part of the product that is deemed defective, under normal installation, use, service and maintenance. This warranty applies only to the original purchaser. Proof of purchase will be required in the case of a claim. **SCRATCHES ARE NOT COVERED UNDER WARRANTY.**

The manufacturer warrants this product to be free of manufacture defects during the above mentioned warranty time. Please keep a copy of the original invoice as proof of purchase.

DeerValley will, as its option, (1) repair or replace the defective part(s) or product(s) at no charge; (2) issue a refund of the original purchase price of the product(s) (Valid within 30 days from the date of delivery); or (3) issue a credit to be applied toward the purchase of a new DeerValley product shipping/delivery charges may apply and are in DeerValley sole discretion.

DeerValley recommends the installations to be made by a licensed, professional plumber. DeerValley will not be held responsible for any damage or product failure due to improper installation, misuse, or failure to use a licensed professional. DeerValley is not responsible for any removal or installation cost.

This limited warranty shall not apply to goods which have been subject to accident, negligence, improper installation, product abuse, product misuse, or use of cleaners containing abrasives, alcohol or other organic solvents, whether performed by a contractor, service company, or yourself, are excluded from this warranty.

DeerValley responsibility under this limited warranty is limited to only to replacement parts and no other costs. DeerValley will not be responsible for labor charges and/or damage incurred by installation, repair or replacement, nor for any indirect incidental or consequential damages, losses, injury or costs of any nature relating to this product Except as provided by law, this limited warranty is in lieu of and excludes all other warranties, conditions, and guarantees, whether expressed or implied, statutory or otherwise, including without restriction those merchantability of fitness for use.

RESPONSIBILITIES OF OTHERS

Inspecting the unit prior to installation is the responsibility of the installer or building contractor who acts on behalf of the user. They are responsible for ensuring the unit is free of defect or damage.

Notices are placed on and in the unit and on the shipping carton advising the installer of this responsibility.

In the event of a problem, the unit must not be installed. DeerValley is not responsible for failures or damage that could have been discovered, repaired, or avoided by proper inspection and testing prior to installation.

Damage occurring in transit is the responsibility of the carrier. The user or installer **MUST** open the crate and inspect the unit for damage when it is delivered. If damage is discovered, it must be reported immediately to the seller and the carrier in writing, and an inspection requested. Failure of the carrier to respond should be reported to the seller and the carrier. Your freight claims should be filed promptly thereafter.

LIMITATIONS AND EXCLUSIONS

This warranty does not cover instances of negligence, misuse, abuse, improper installation, carelessness, accident, hard water or mineral deposits, exposure to corrosive materials, misapplication, damages caused by improper maintenance, alteration of the product, or failure to follow care or installation instructions enclosed with your product. The warranty becomes invalid if the DeerValley product undergoes any alterations or if attempts are made to carry out repairs using unauthorized accessories or parts from DeerValley.

DeerValley will not be liable for loss of use of the DeerValley products, inconvenience, or any other incidental or consequential costs, expense or damages. Please note that some states do not allow the exclusion or limitation of incidental damages.

DISCLAIMER

Except as expressly provided, there shall be no warranty or obligation, express or implied, oral or statutory. No dealer or other person has the authority to make any warranties or representations concerning DeerValley or its products. In no event shall DeerValley be held responsible for any such warranties or representations.

WARRANTY SERVICE

NOTE: When requesting warranty, be sure to have the following:

- Copy of original invoice
- Date of installation
- Description and pictures of defect
- Model number or description of model

To obtain warranty service and replacement part, please contact DeerValley Customer Service. DeerValley will determine whether to repair or replace your product, issue a refund, or issue a credit.