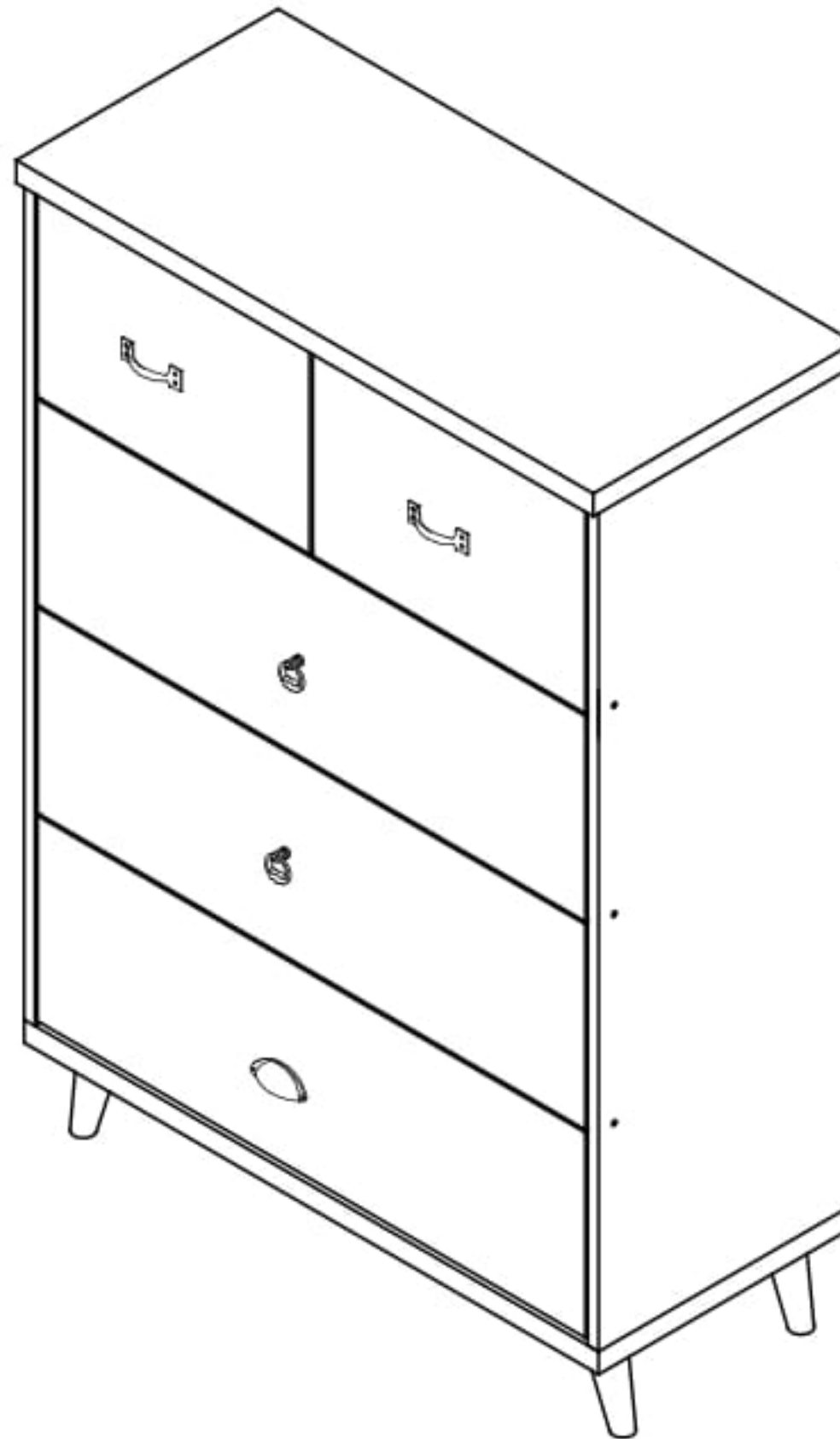


ASSEMBLY INSTRUCTIONS



FOR DOMESTIC USE ONLY IMPORTANT

PLEASE READ BEFORE YOU CONTINUE FURTHER

THE PRODUCT YOU HAVE PURCHASED WILL GIVE YOU MANY YEARS OF SERVICE IF YOU FOLLOW THE GUIDELINES FOR ITS SAFE ASSEMBLY AND PERIODIC MAINTENANCE AND CLEANING.

ASSEMBLE ON A SOFT CLEAN SURFACE.

DO NOT USE ANY TOOLS OTHER THAN THOSE SHOWN.

ANY SPANNERS OR ALLEN KEYS REQUIRED ARE INCLUDED WITH THE FITTING KIT.

DO NOT FOR ANY REASON USE A POWER TOOL TO ASSEMBLE THIS PRODUCT. ITS USE WILL INVALIDATE ANY CLAIM YOU MAY HAVE AND COULD MAKE THIS PRODUCT UNSAFE.

DEPENDING ON THE AMOUNT OF USE THIS PRODUCT RECEIVES, IT MAY BE NECESSARY TO TIGHTEN UP THE FIXINGS FROM TIME TO TIME. THIS IS COMPLETELY NORMAL FOR ANY FLAT PACK FURNITURE. DO NOT OVERTIGHTEN FIXINGS.

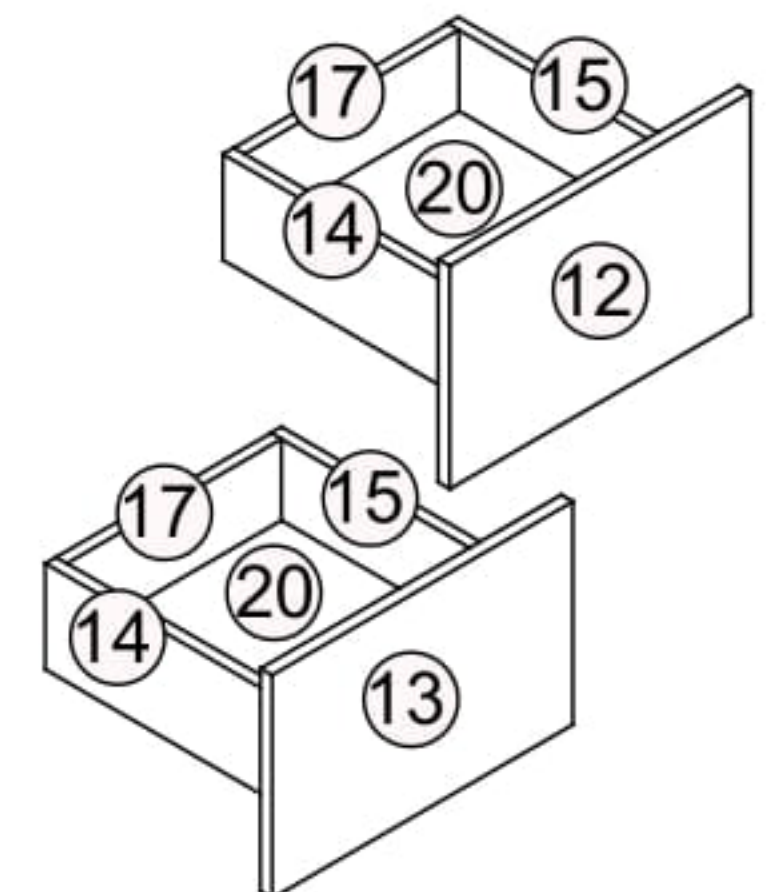
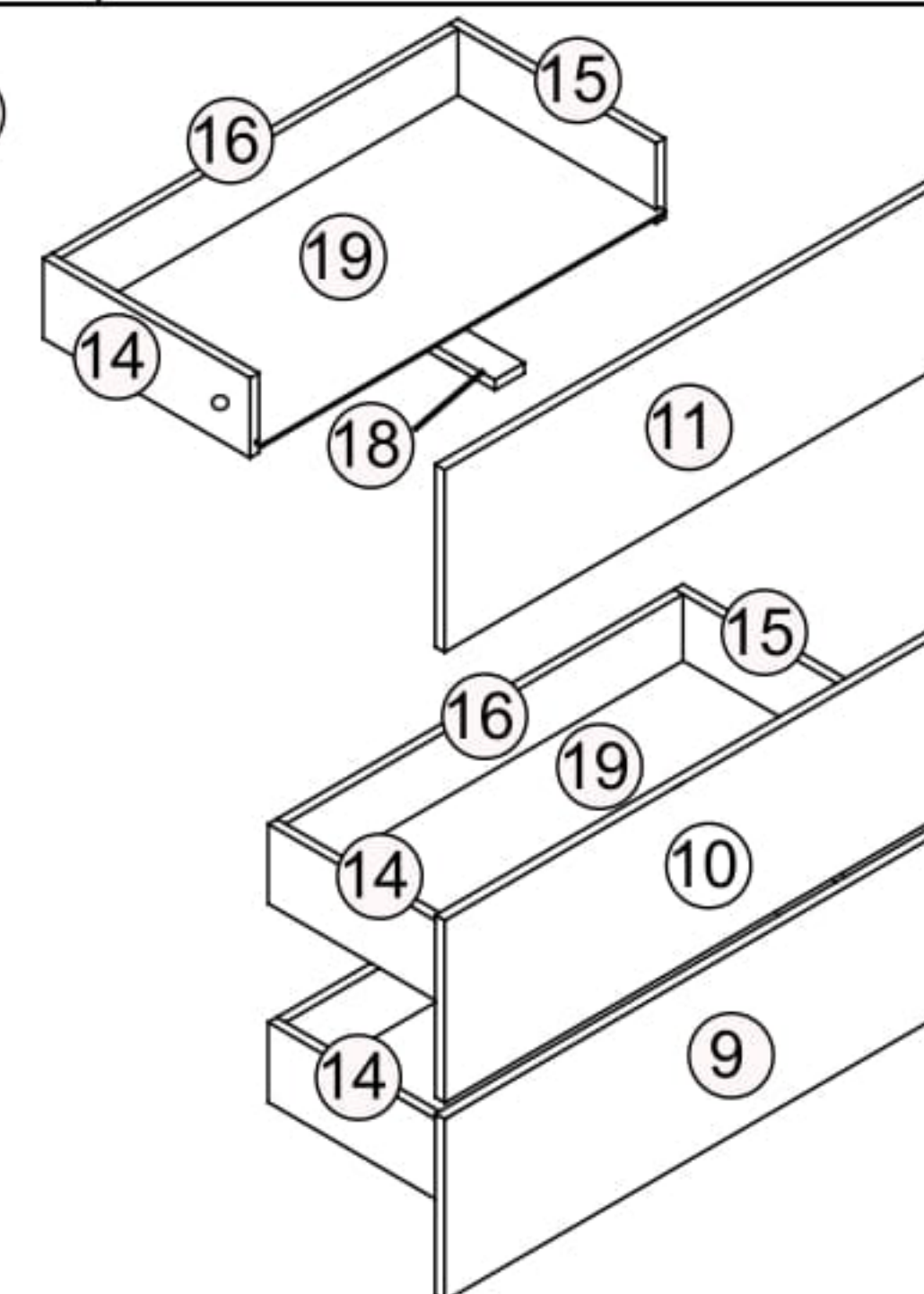
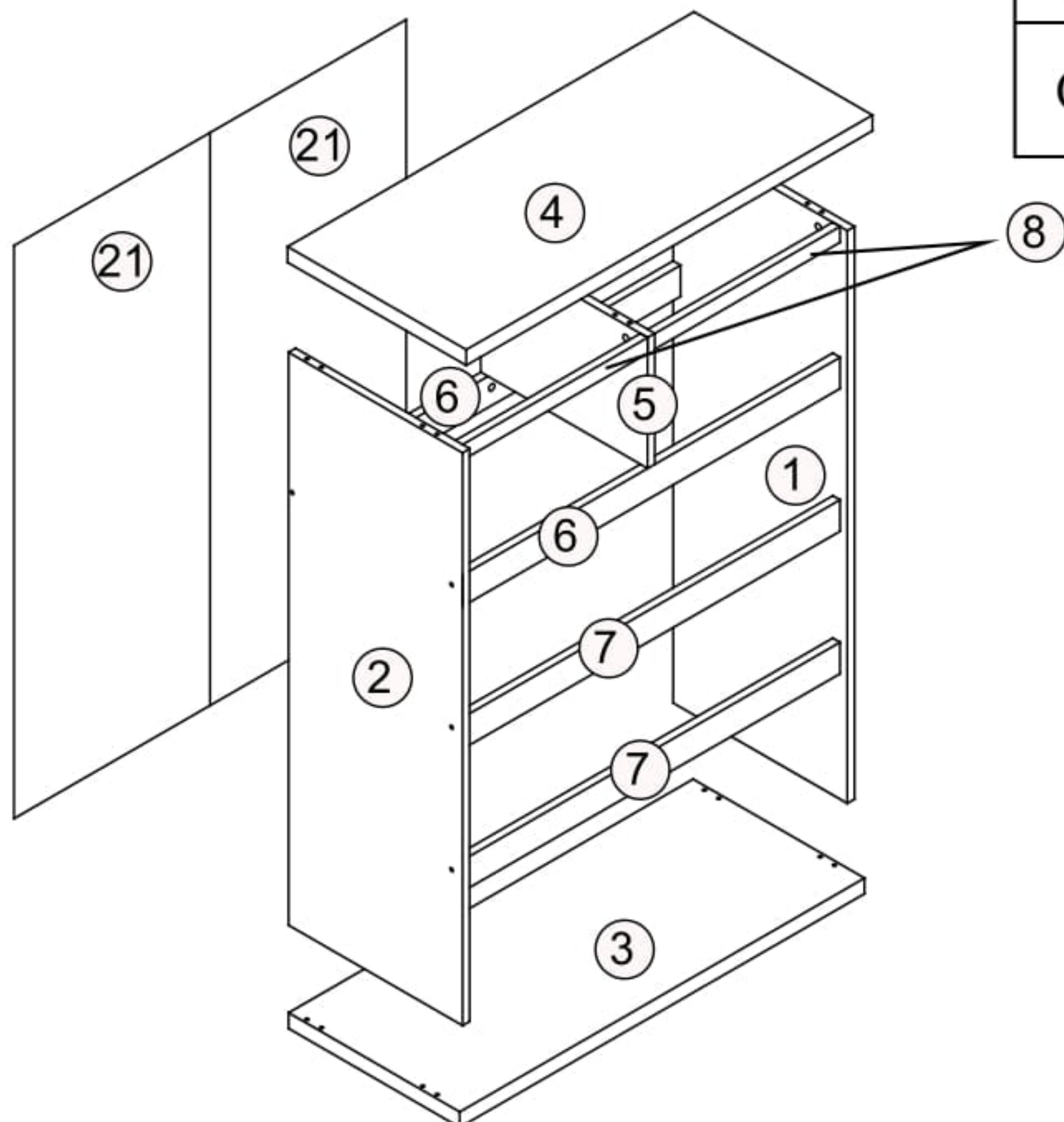
FOR CLEANING, YOU MAY USE A DAMP CLOTH (NOT WET). DO NOT USE POLISH, DETERGENT OR CHEMICAL CLEANERS.

THIS SURFACE OF THIS ITEM IS NOT HEAT RESISTANT. ALWAYS USE A PLACE MAT UNDER HOT OR COLD ITEMS TO PREVENT MARKING.












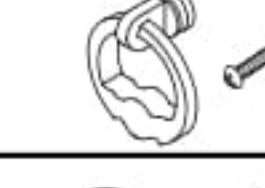


PART LIST


| Carton 01 of 02 | | |
|-----------------|--------------------------|-----|
| No. | Part Name | Qty |
| 1 | Right Side Panel | x1 |
| 2 | Left Side Panel | x1 |
| 3 | Bottom Panel | x1 |
| 4 | Top Panel | x1 |
| 5 | Centre Panel | x1 |
| 6 | Support Top | x2 |
| 7 | Centre Support | x2 |
| 8 | Support Panel | x2 |
| 9 | Drawer Front Large | x1 |
| 10 | Drawer Front Large | x1 |
| 11 | Drawer Front Large | x1 |
| 12 | Right Drawer Front Small | x1 |
| 13 | Left Drawer Front Small | x1 |
| 16 | Drawer Back Large | x3 |
| 18 | Drawer Support | x3 |
| 19 | Drawer Base Large | x3 |
| 20 | Drawer Base Small | x2 |
| 21 | Back Panel | x2 |

| Carton 02 of 02 | | |
|-----------------|-------------------|-----|
| No. | Part Name | Qty |
| 14 | Left Drawer Side | x5 |
| 15 | Right Drawer Side | x5 |
| 17 | Drawer Back Small | x2 |

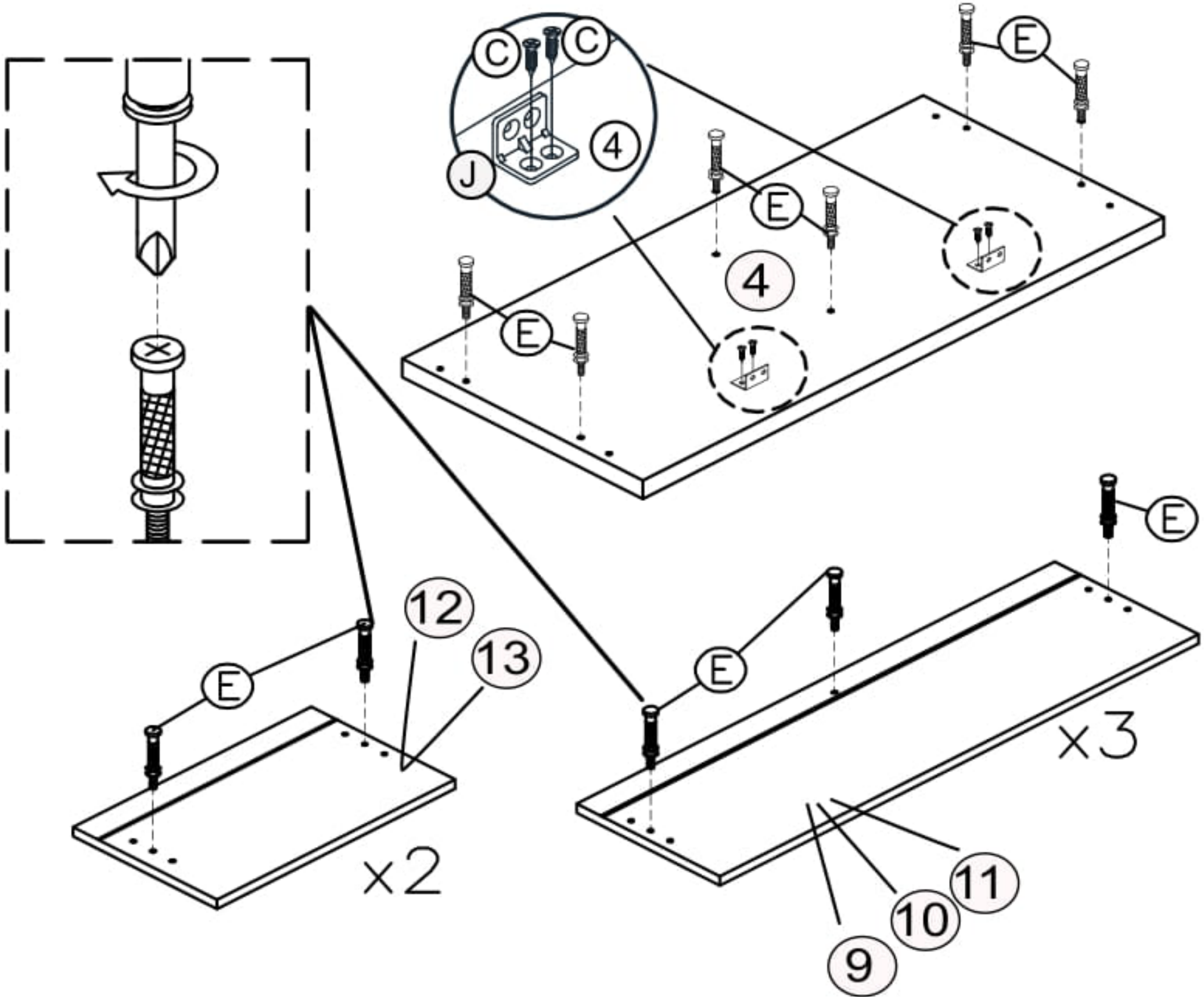
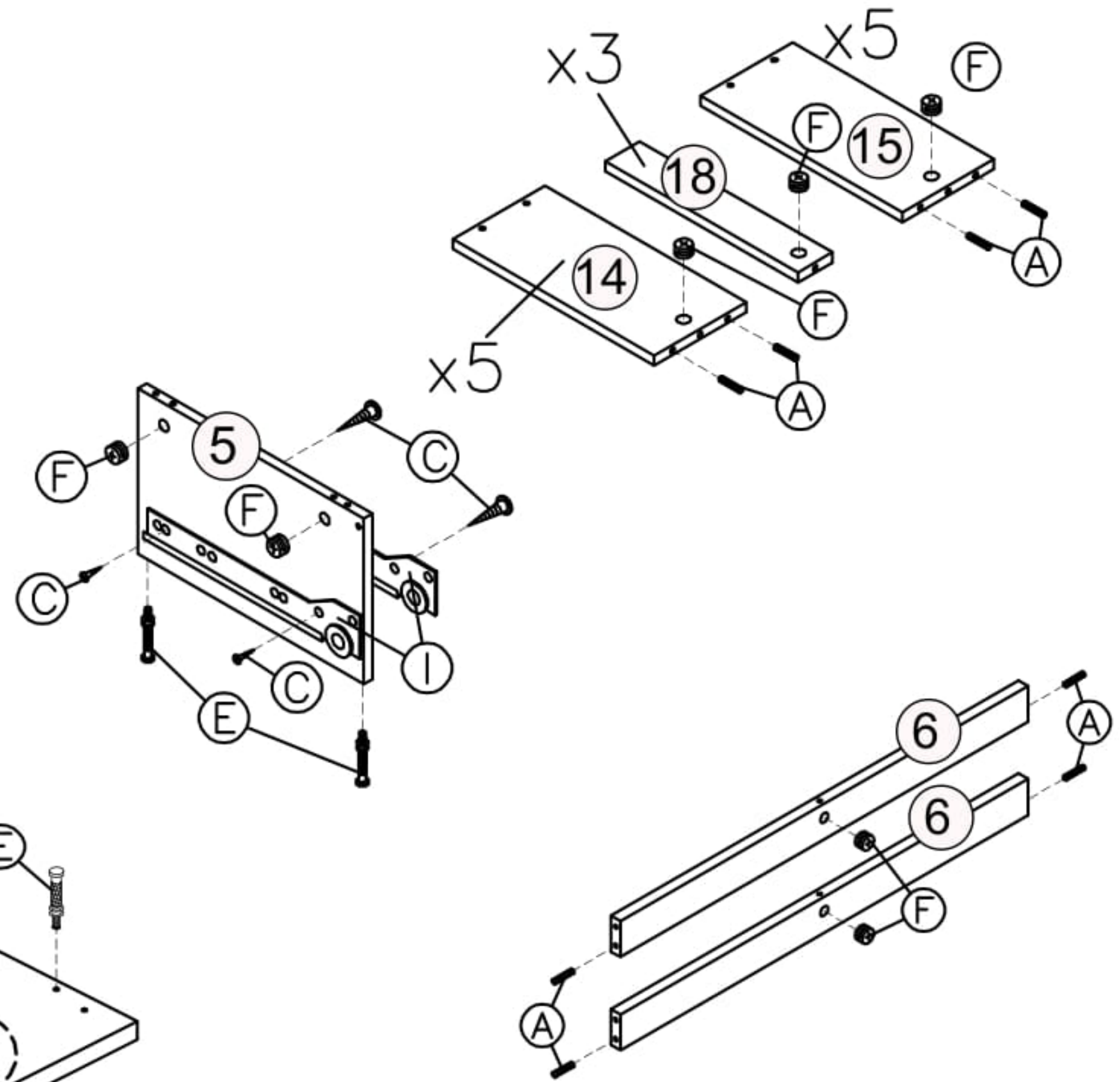
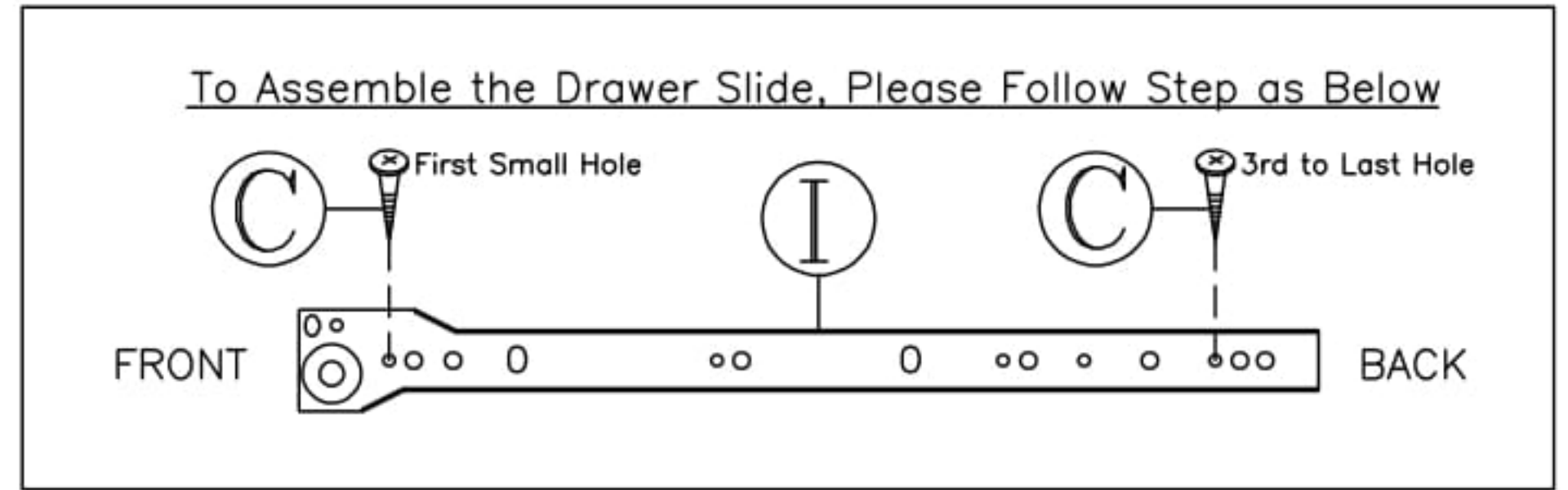
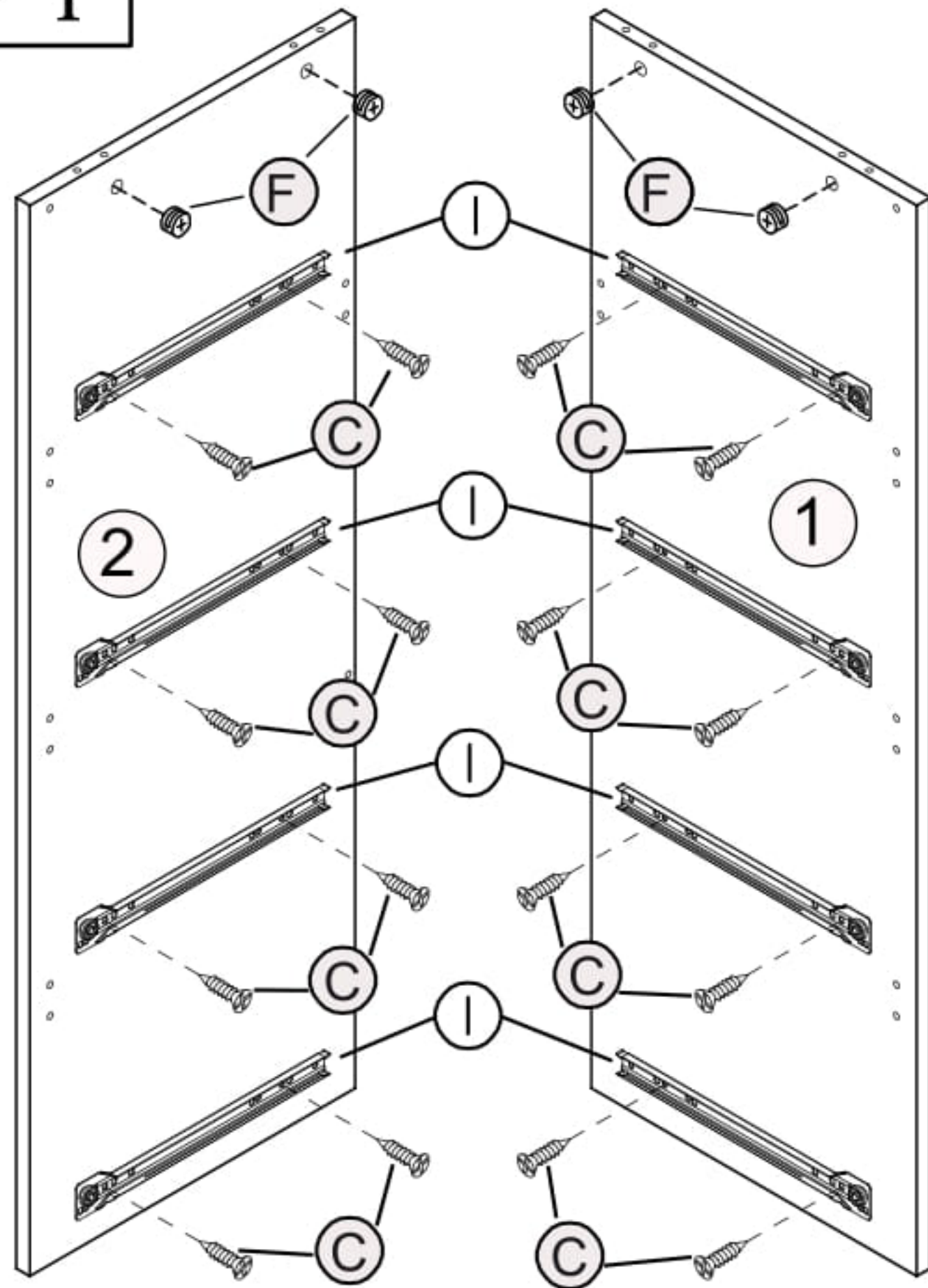


HARDWARE LIST

| Carton 01 of 02 | | | |
|-----------------|--|---|--------|
| No. | Part Name | | Qty |
| A | Wooden Dowel <small>(6x25mm)</small> |  | x 42 |
| B | 45mm Screw <small>(4x45mm)</small> |  | x 12 |
| C | 14mm Screw <small>(3.5x14mm)</small> |  | x 64 |
| D | 38mm Screw <small>(4x38mm)</small> |  | x 23 |
| E | Cam Bolt <small>(8032T)</small> |  | x 21 |
| F | Cam Nut <small>(1512)</small> |  | x 21 |
| H | 6/8" Nail |  | x 45 |
| I | 14" Drawer Slide <small>(0.9mm) W (vkt)</small> |  | x 5set |
| J | PVC L- Bracket |  | x 2 |
| K | Handle+Screw <small>L-3510 (3x16mm=8pcs)</small> |  | x 2 |
| L | Screw Cover <small>(CB-White)</small> |  | x 8 |
| M | Handle+Screw <small>T-4538 (4x20mm=2pcs)</small> |  | x 2 |
| N | Handle+Screw <small>Y-8238 (3x16mm=2pcs)</small> |  | x 1 |
| O | Wall Fixings <small>(4x20mm=1pc)</small> |  | x 1 |

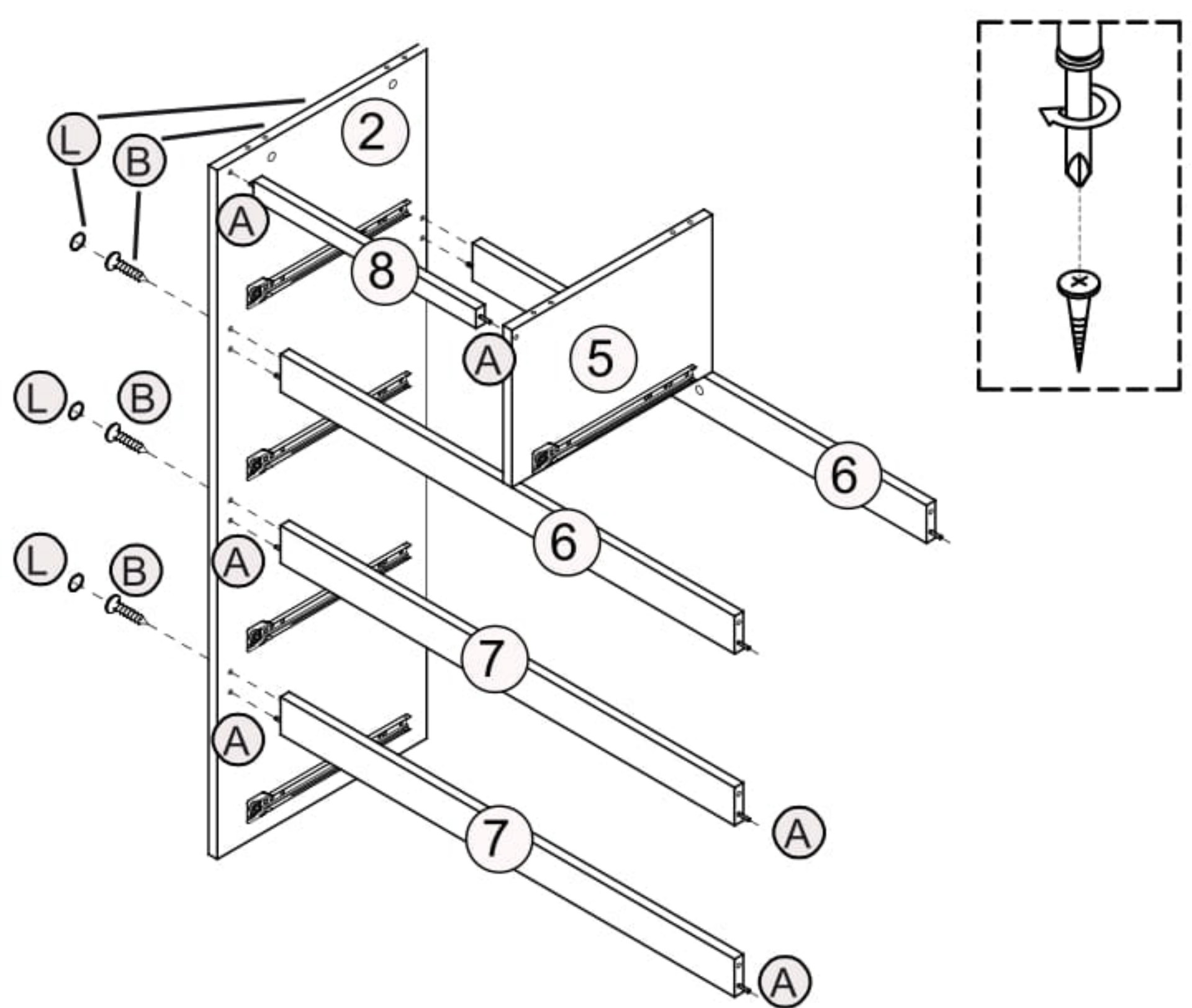
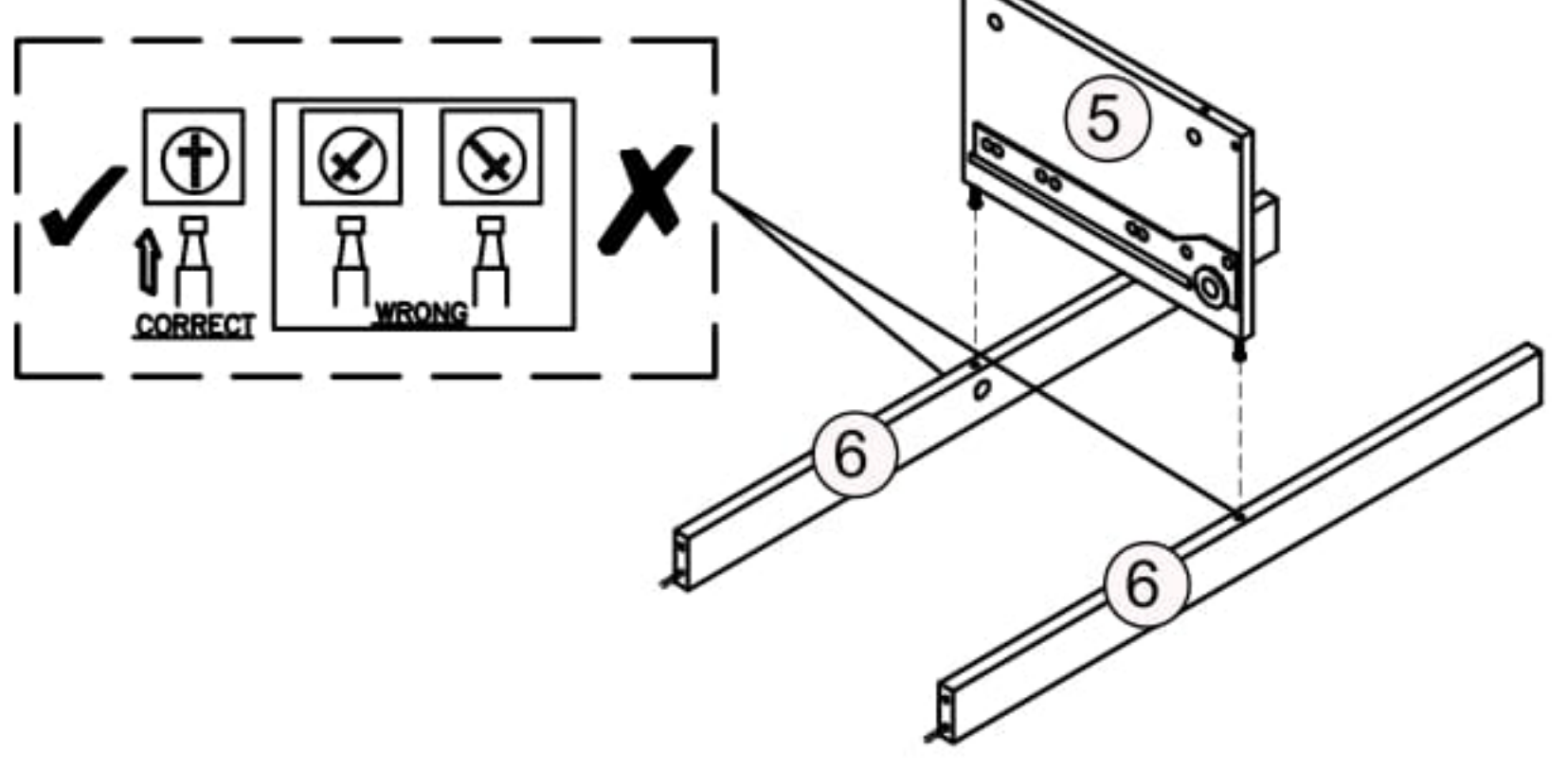
| Carton 02 of 02 | | | |
|-----------------|-------------------------|---|-----|
| No. | Part Name | | Qty |
| G | Wood Leg + Plastic Foot |  | x 4 |

STEP 1



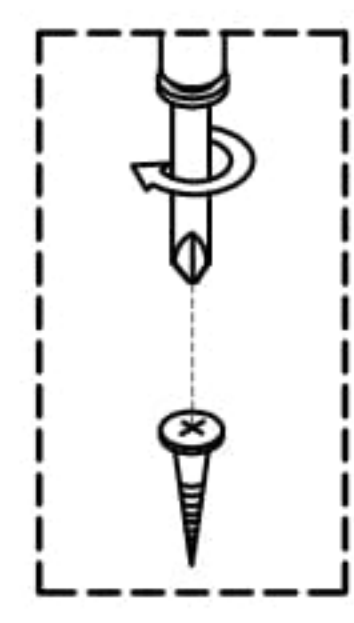
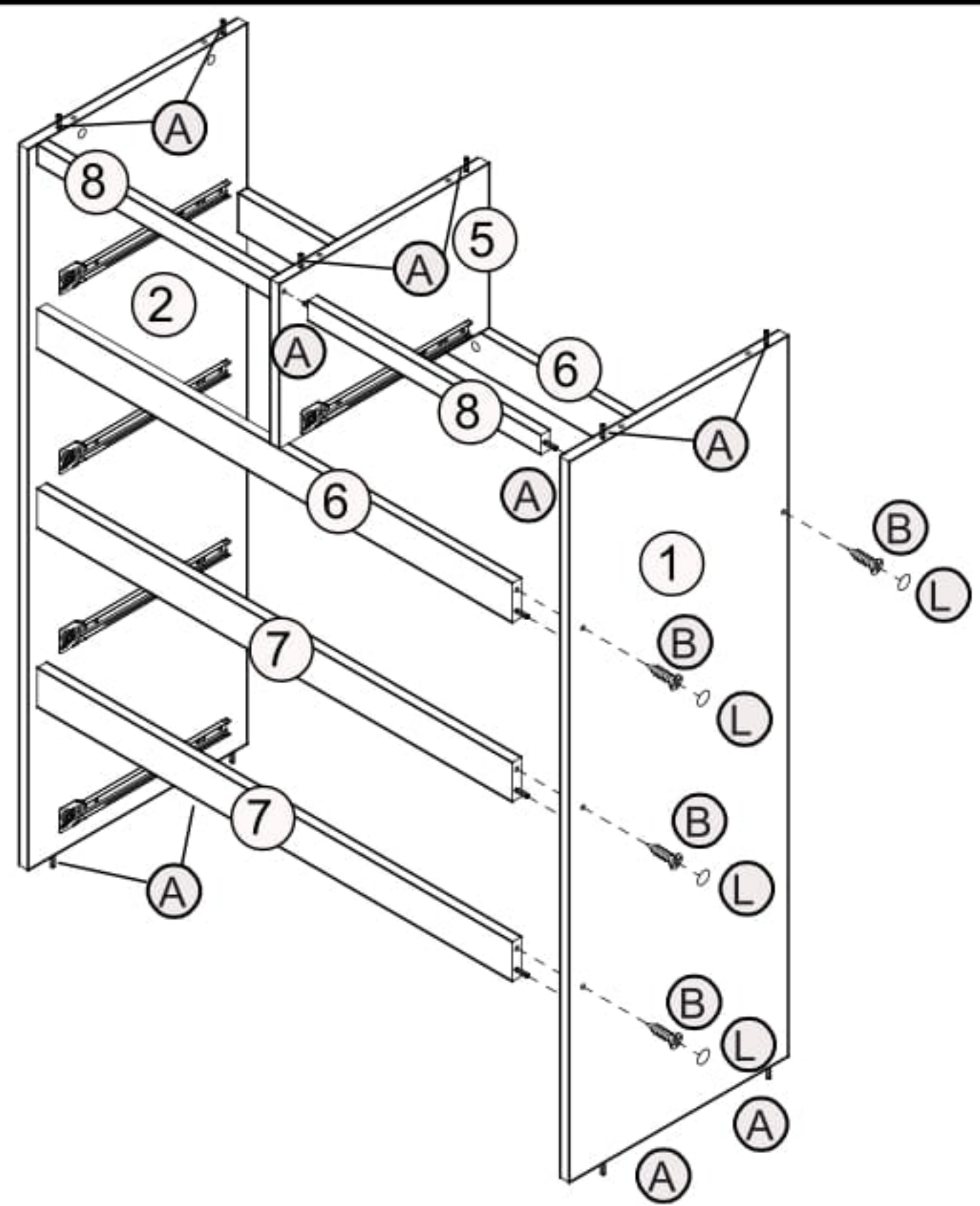
| | | | |
|---|------------------|--|-------|
| A | Wooden Dowel | | x 24 |
| C | 14mm Screw | | x 24 |
| E | Cam Bolt | | x 21 |
| F | Cam Nut | | x 21 |
| I | 14" Drawer Slide | | x 5se |
| J | PVC L-Bracket | | x 2 |

STEP 2



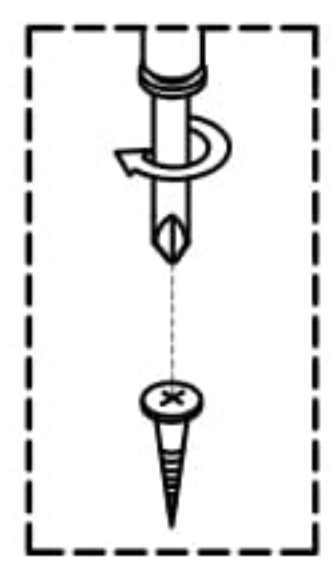
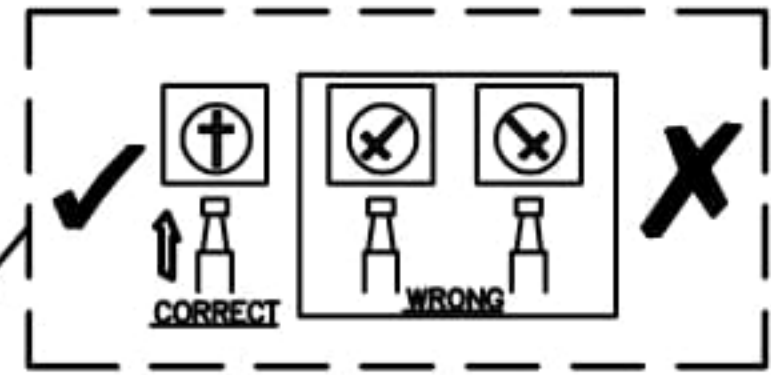
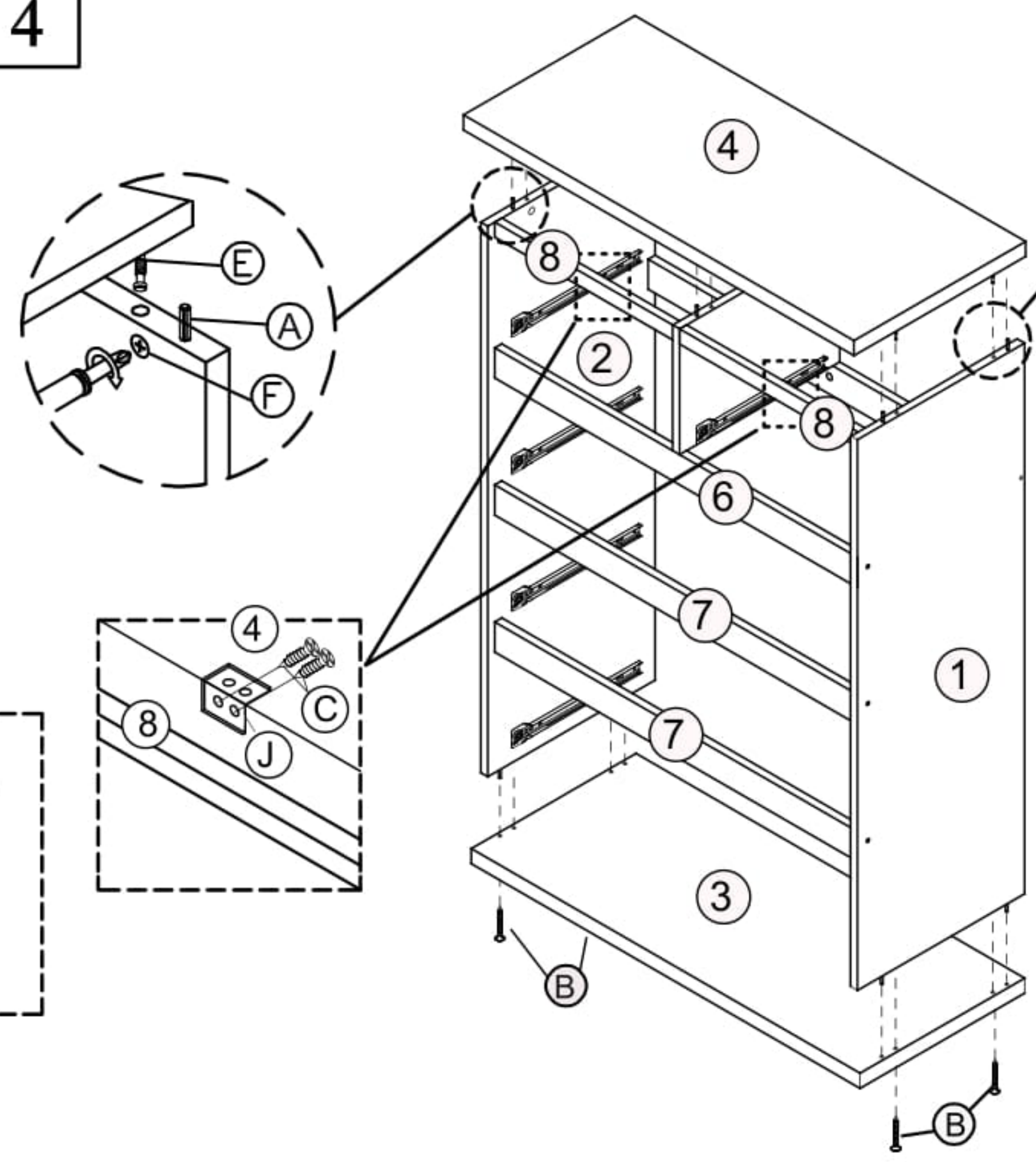
| | | | |
|---|--------------|--|-----|
| A | Wooden Dowel | | x 6 |
| B | 45mm Screw | | x 4 |
| L | Screw Cover | | x 4 |



STEP 3



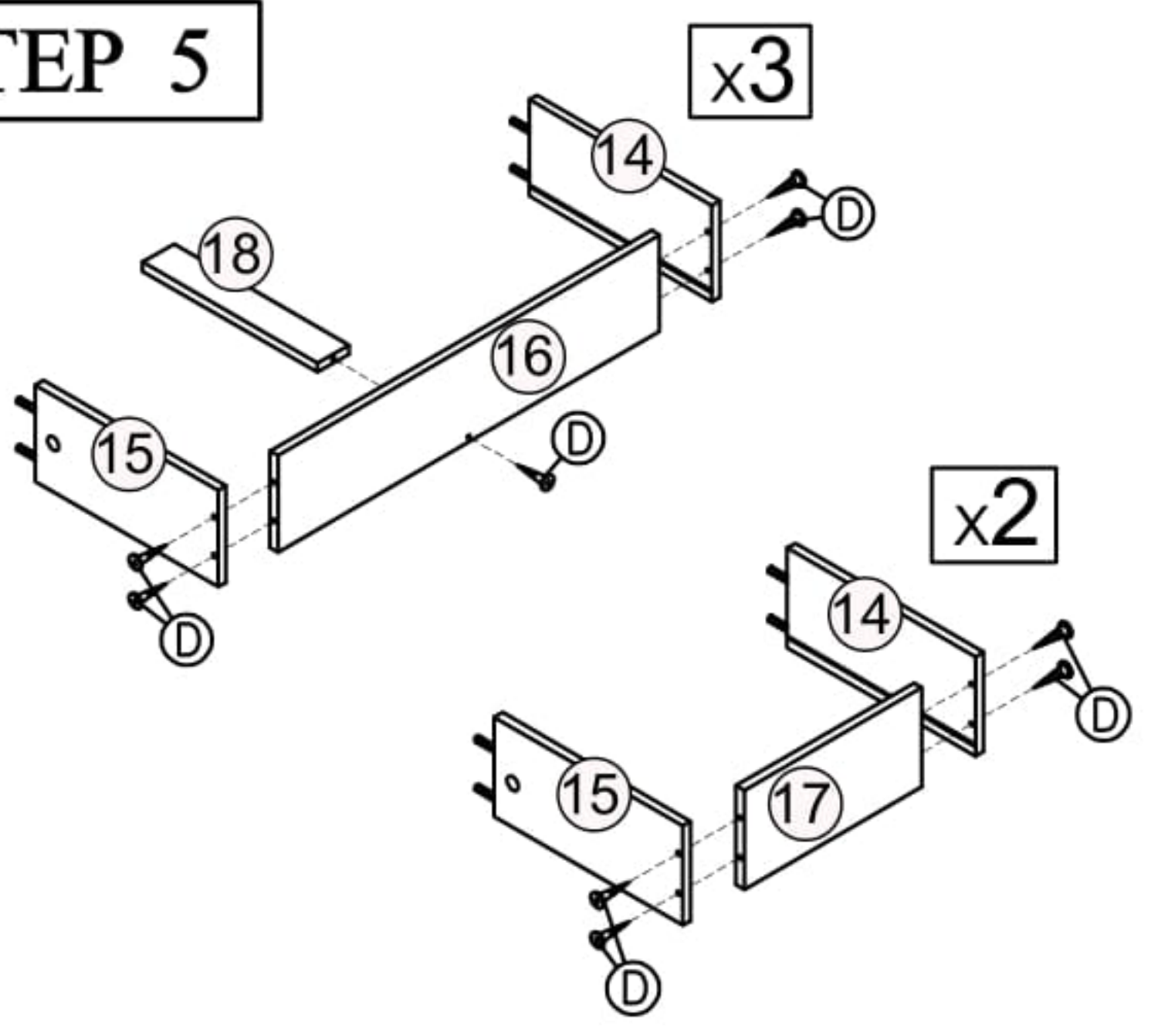
| | | | |
|---|--------------|---|------|
| A | Wooden Dowel |  | x 12 |
| B | 45mm Screw |  | x 4 |
| L | Screw Cover |  | x 4 |

STEP 4

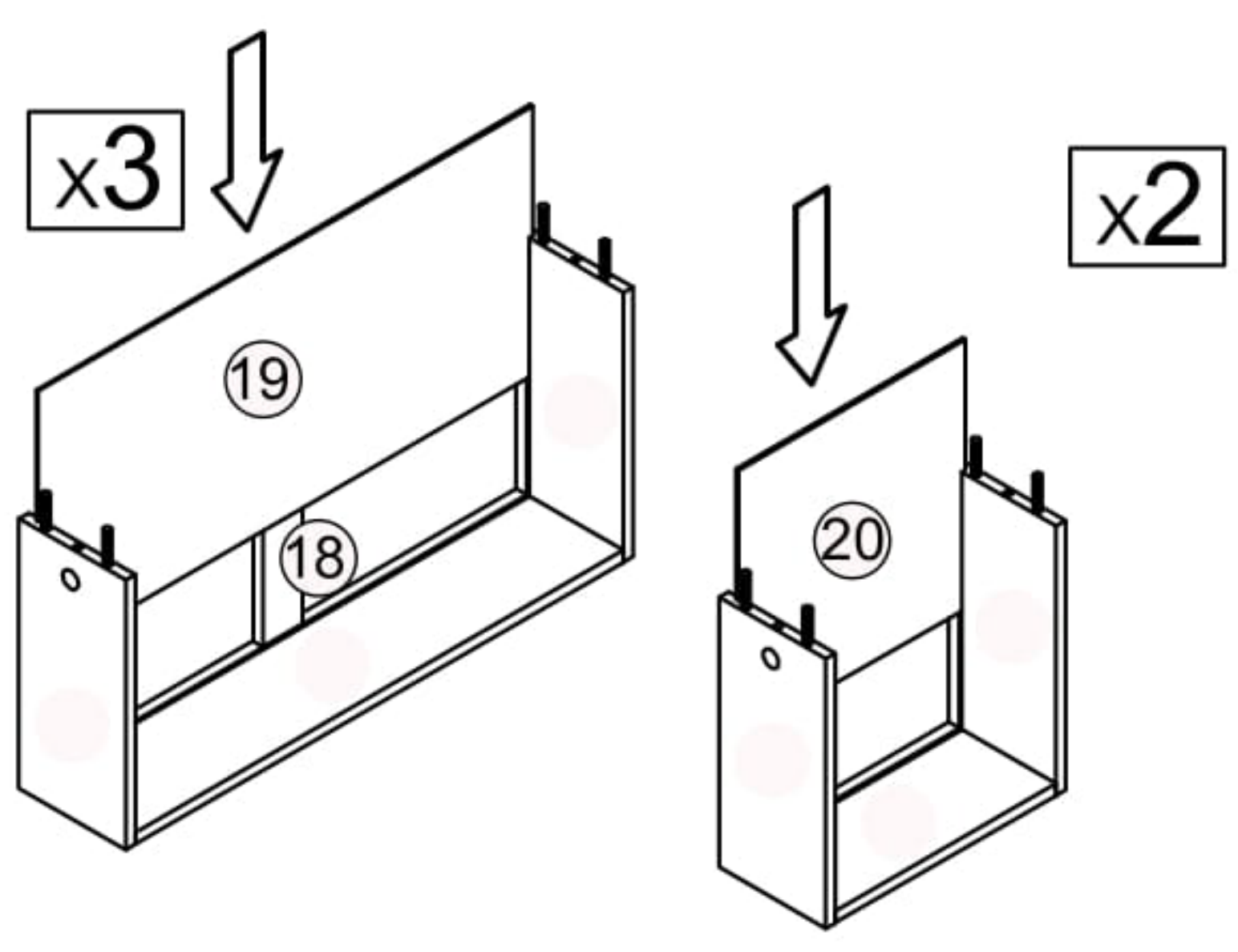



| | | | |
|---|------------|---|-----|
| B | 45mm Screw |  | x 4 |
| C | 14mm Screw |  | x 4 |

STEP 5

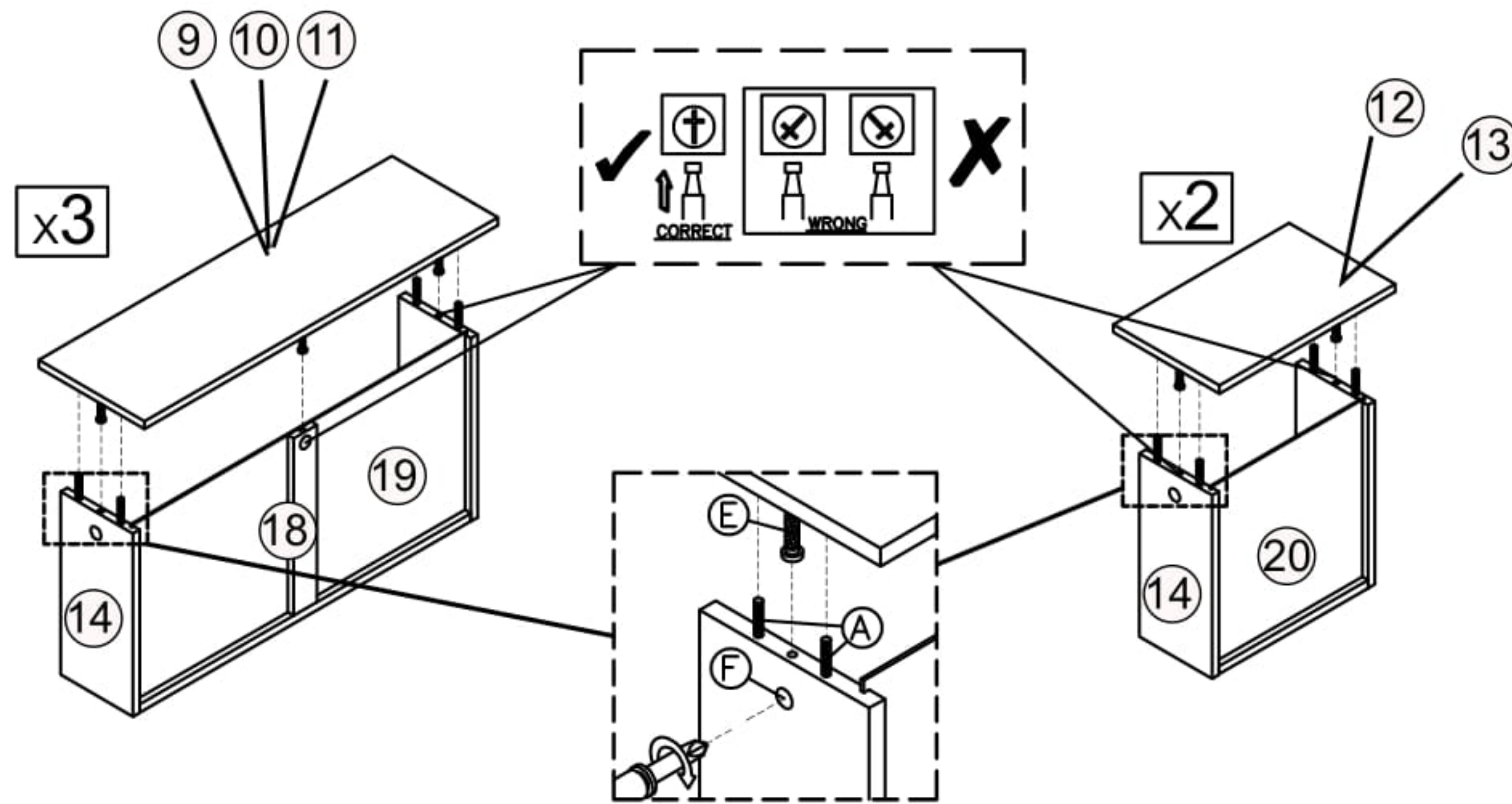


STEP 6

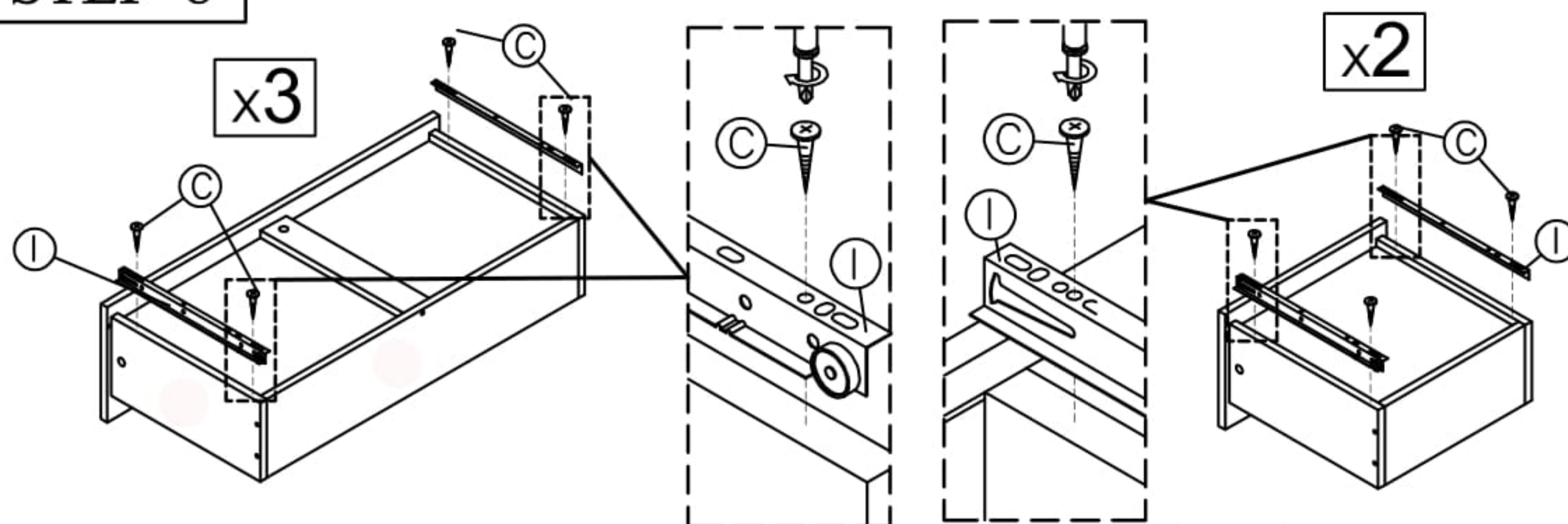


| | | | |
|---|------------|---|------|
| D | 38mm Screw |  | x 23 |
|---|------------|---|------|



STEP 7



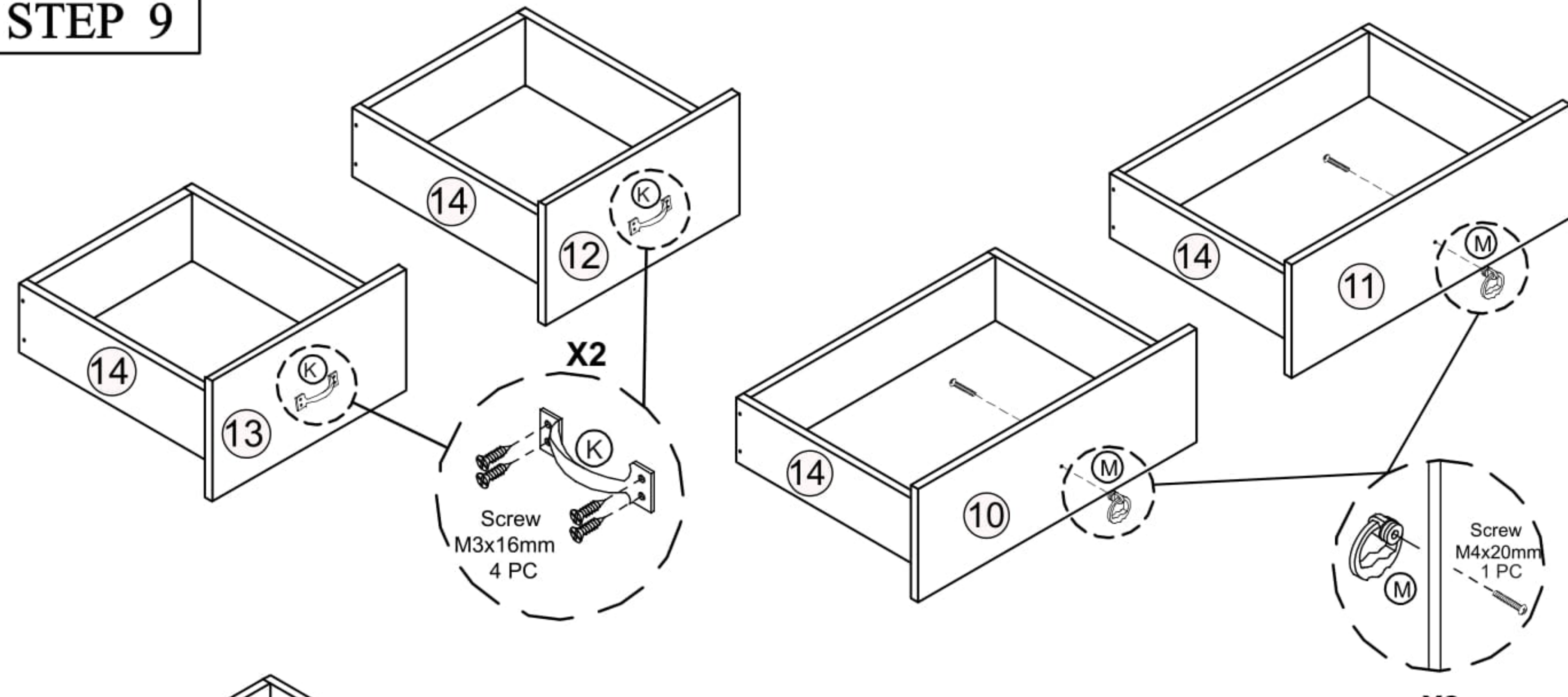
STEP 8






Back Front

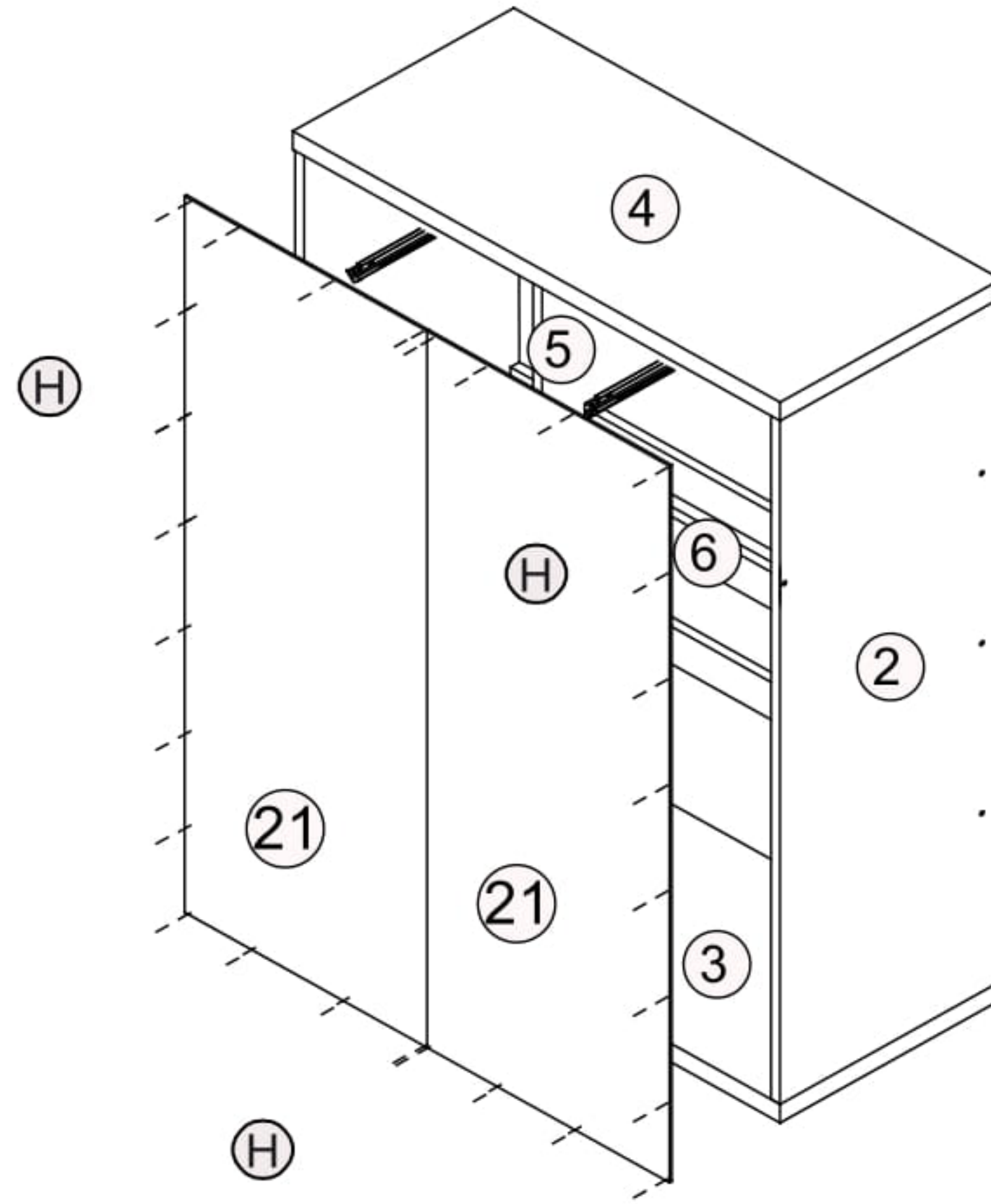
| | | | |
|---|------------------|---|--------|
| C | 14mm Screw |  | x 20 |
| I | 14" Drawer Slide |  | x 5set |

STEP 9



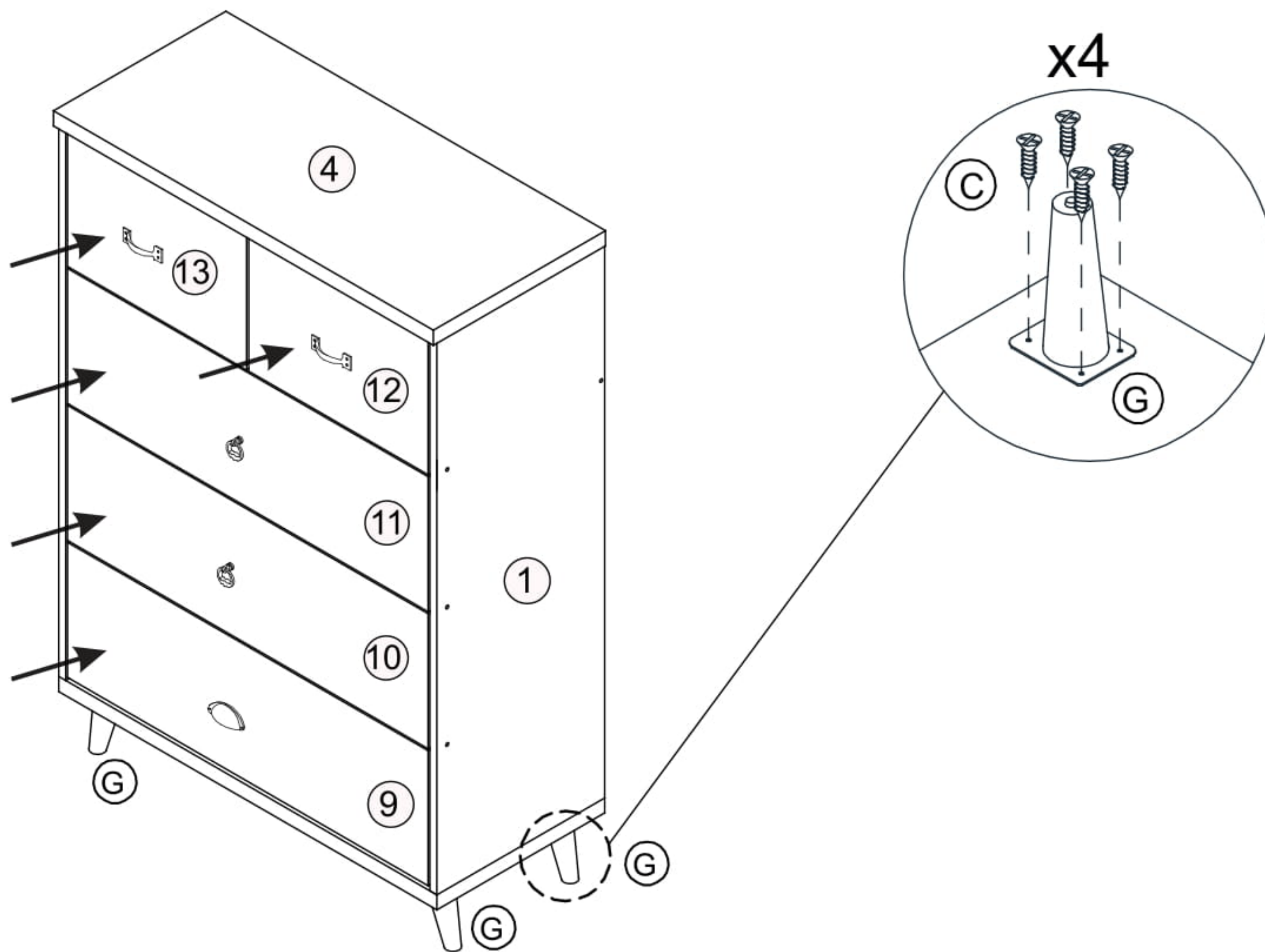
| | | | |
|---|--------------|---|-----|
| K | Handle+Screw |  | x 2 |
| M | Handle+Screw |  | x 2 |
| N | Handle+Screw |  | x 1 |



STEP 10



| | | | |
|---|-----------|---|------|
| H | 6/8" Nail |  | x 45 |
|---|-----------|---|------|

STEP 11



| | | | |
|---|-------------------------|---|------|
| C | 14mm Screw |  | x 16 |
| G | Wood Leg + Plastic Foot |  | x 4 |



STEP 12

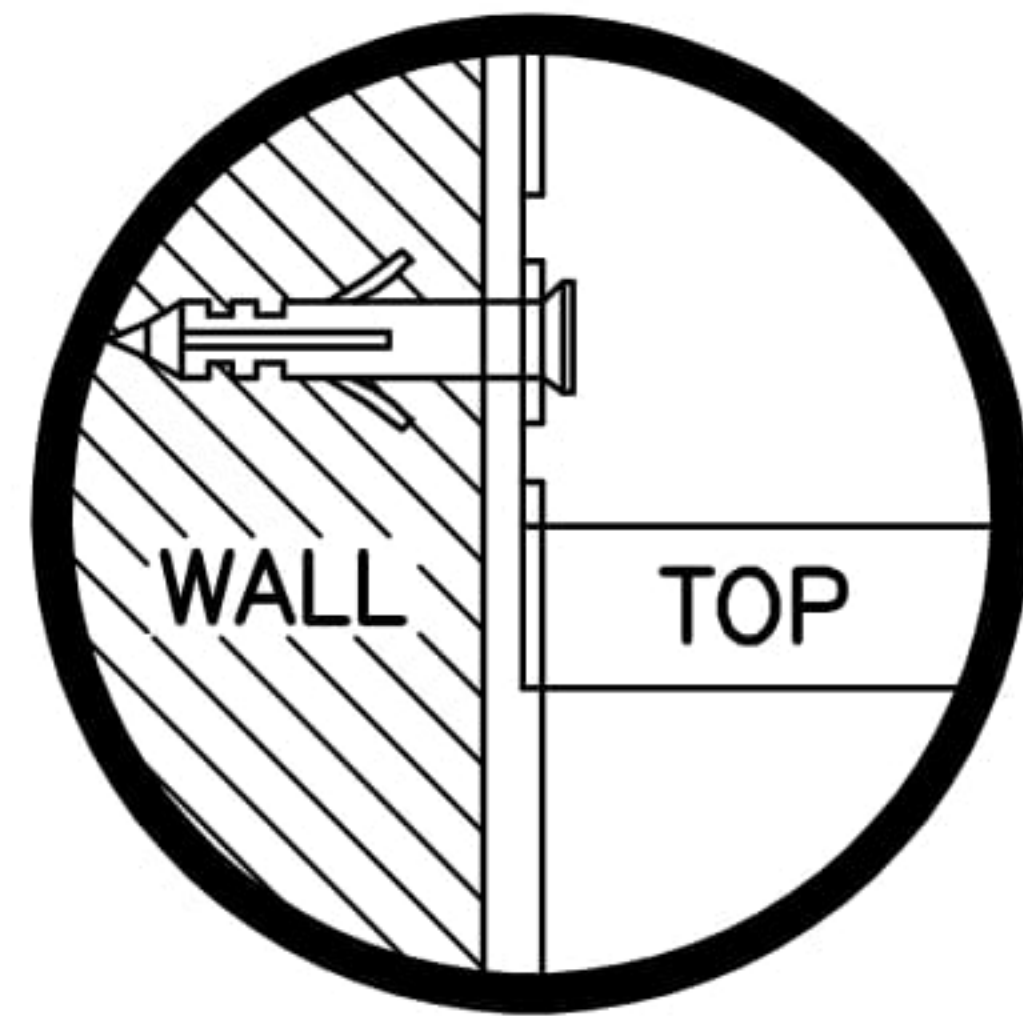
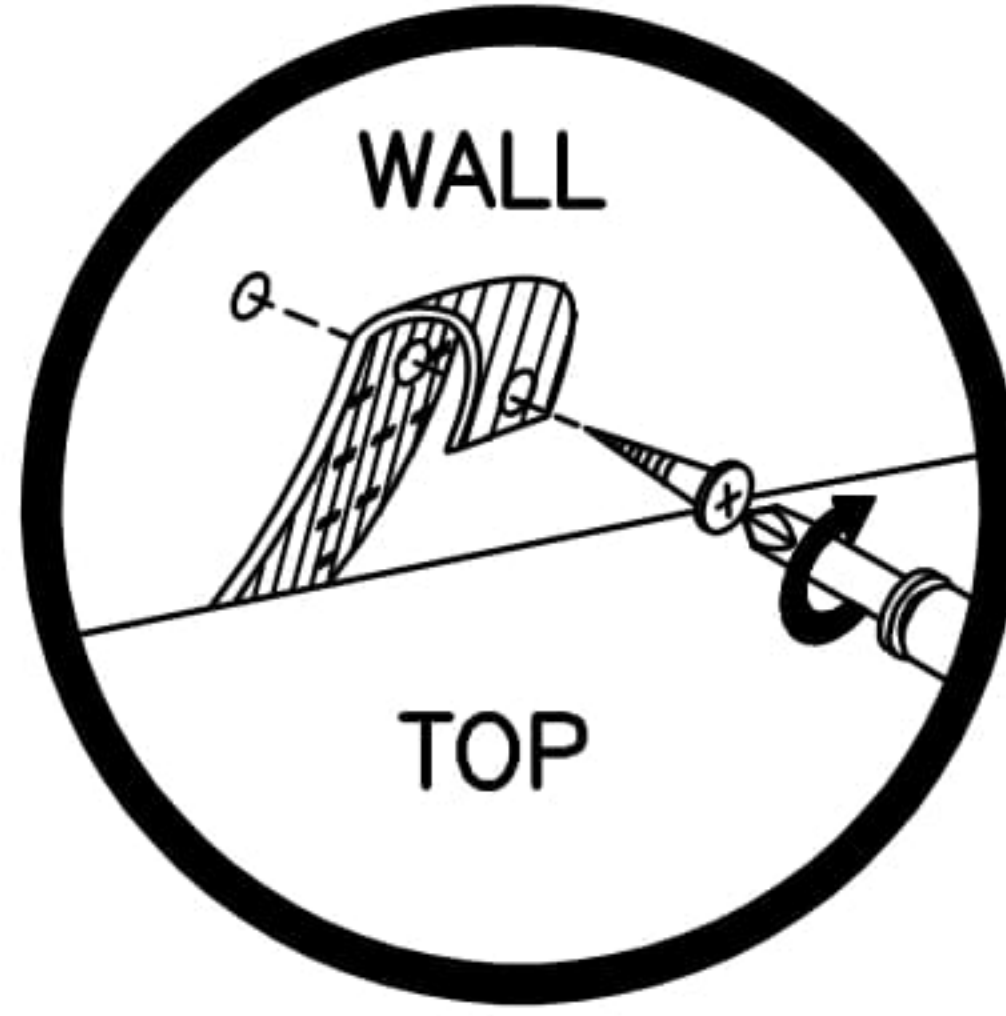
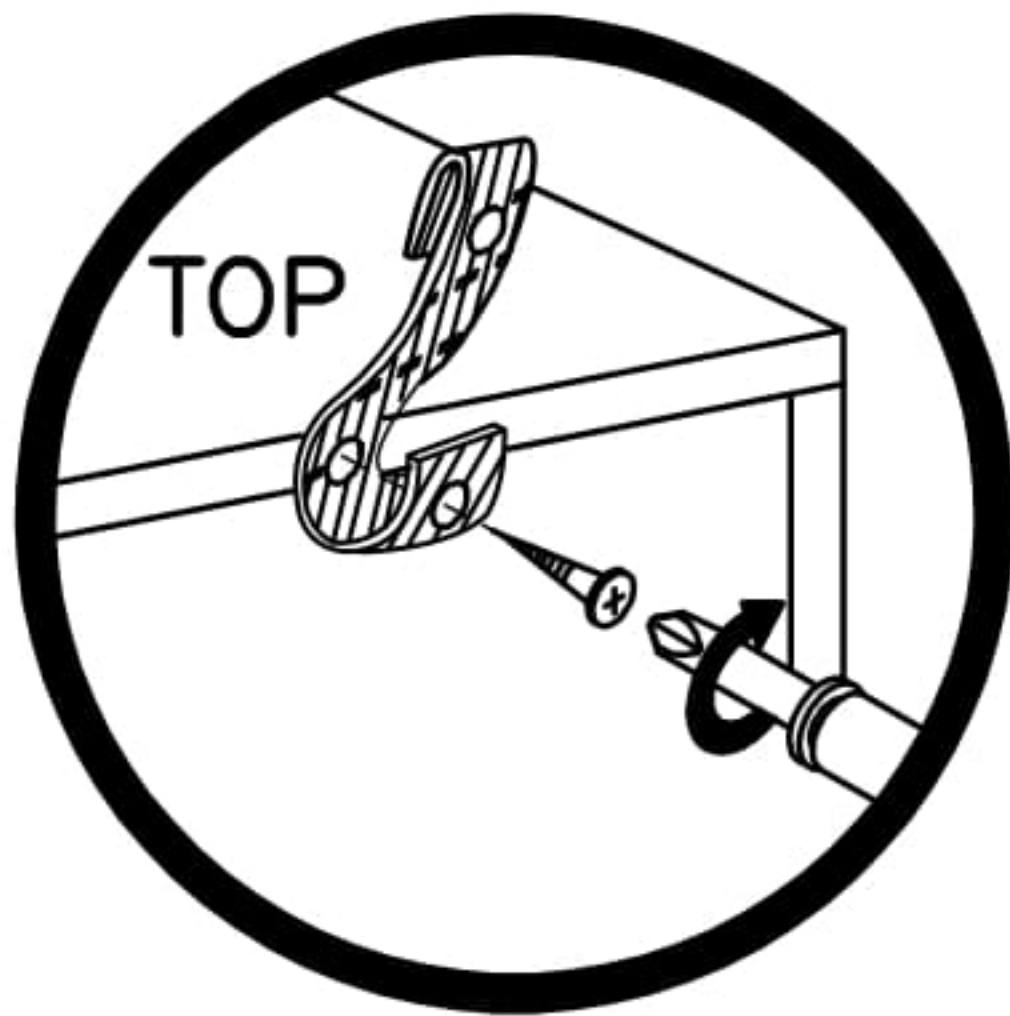
WARNING

Serious or fatal injuries can occur from furniture tipping over. To prevent the furniture from tipping over we recommend that it is permanently fixed to the wall.

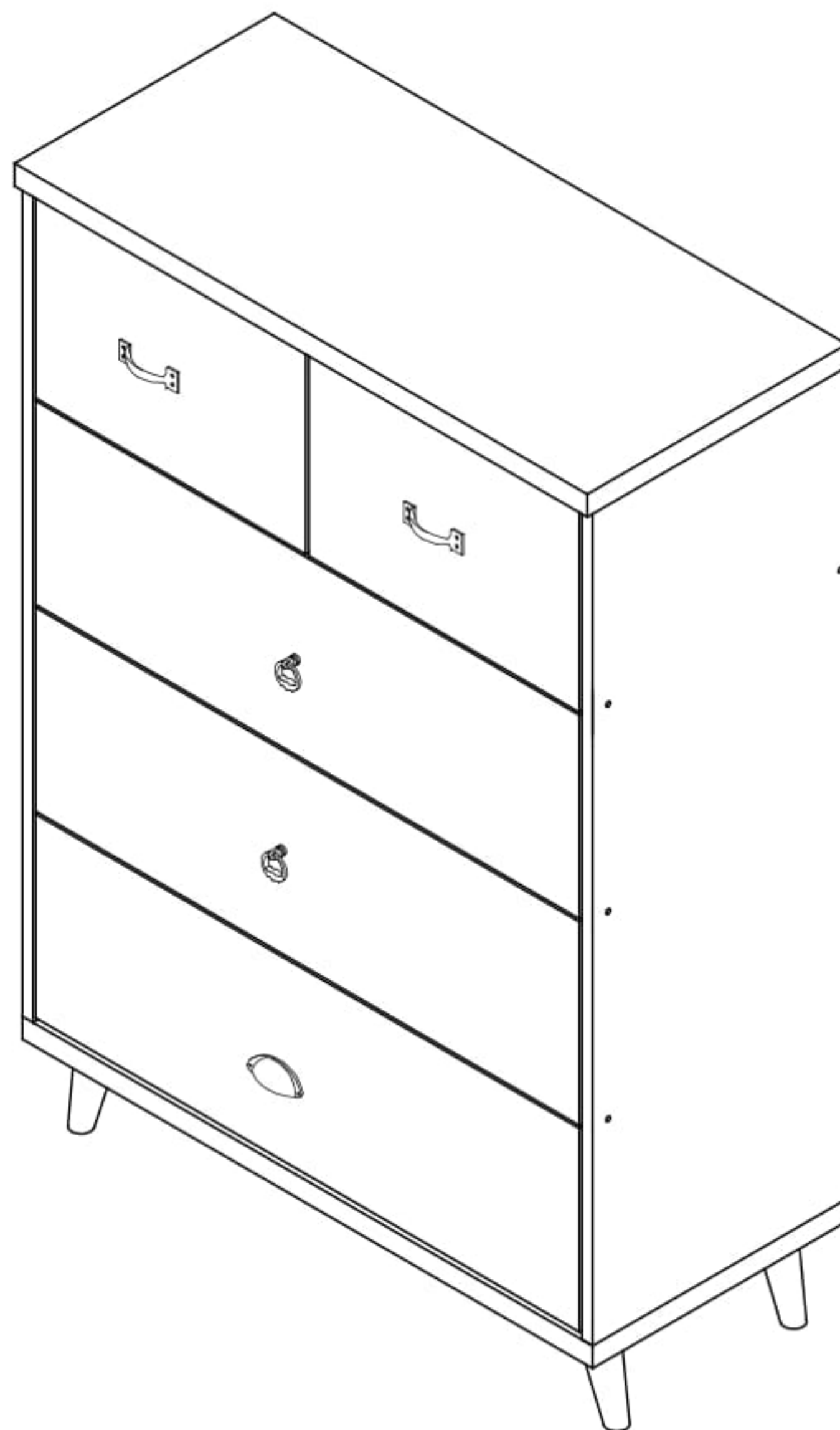
Wall fixings are not supplied with this product as different wall materials require different types of fixing devices.
Please make sure you use fixings suitable for the walls in your home.

HARDWARE LIST

-  Anti-Tip Strap – 1pc
-  Screw 20 mm – 1pc



STEP 13



FINISH