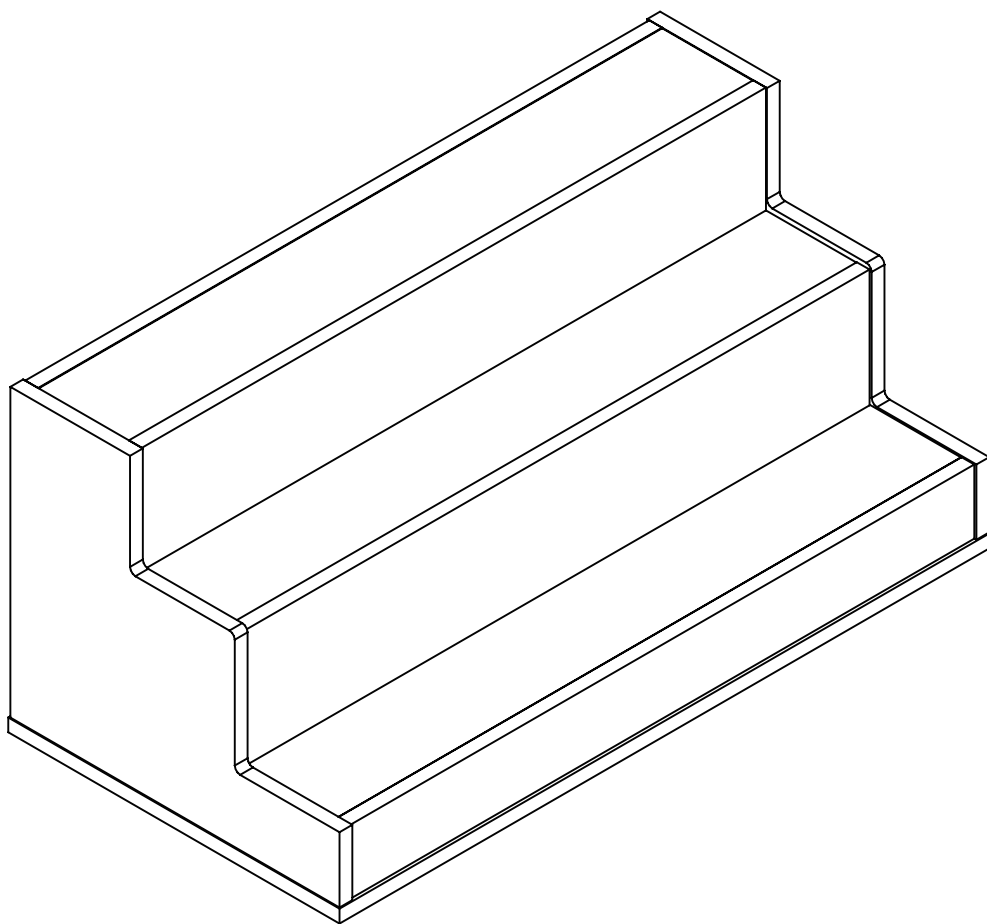


# INSTRUCTION MANUAL



## Attention :

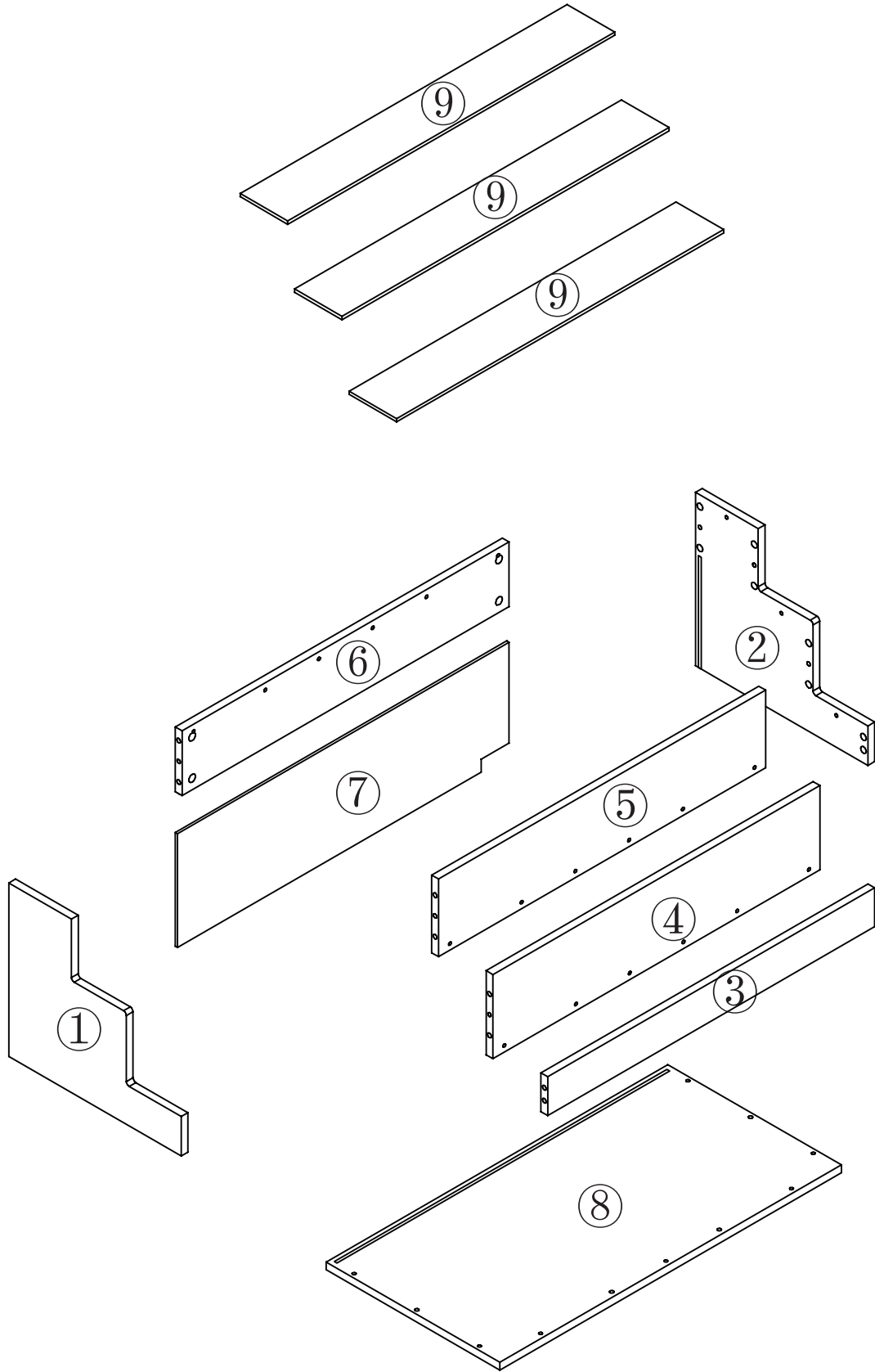
Thank you very much for your purchase.

When the number of your order is more than 1, we will split your order and ship the goods separately to ensure the safety.

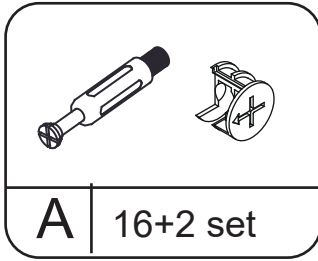
We promise to deliver at the same time, but the time of receipt may be slightly different due to logistics.

Thanks again for your understanding.

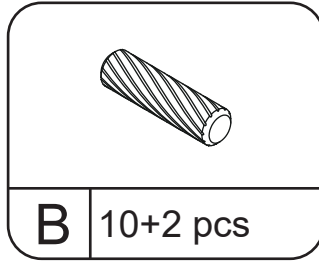
# PARTS LIST



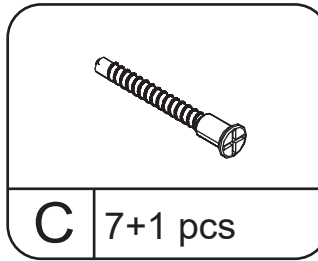
# HARDWARE LIST



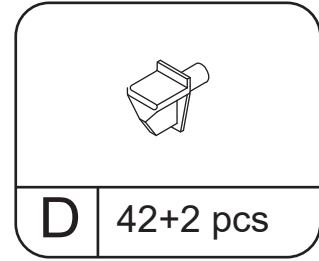
Cam Bolt & Cam Lock  
F7\*25 F12\*10



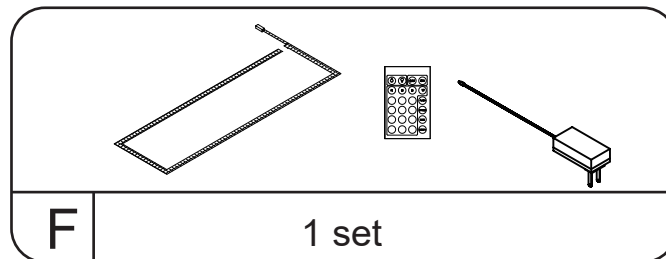
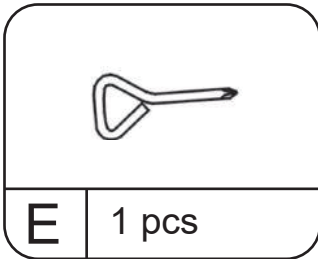
Wood Dowel  
F6\*30



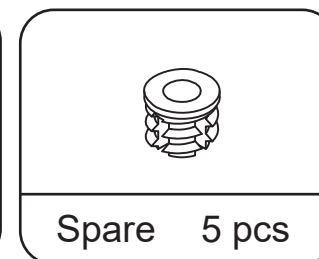
Screw  
F5\*40



Glass holder

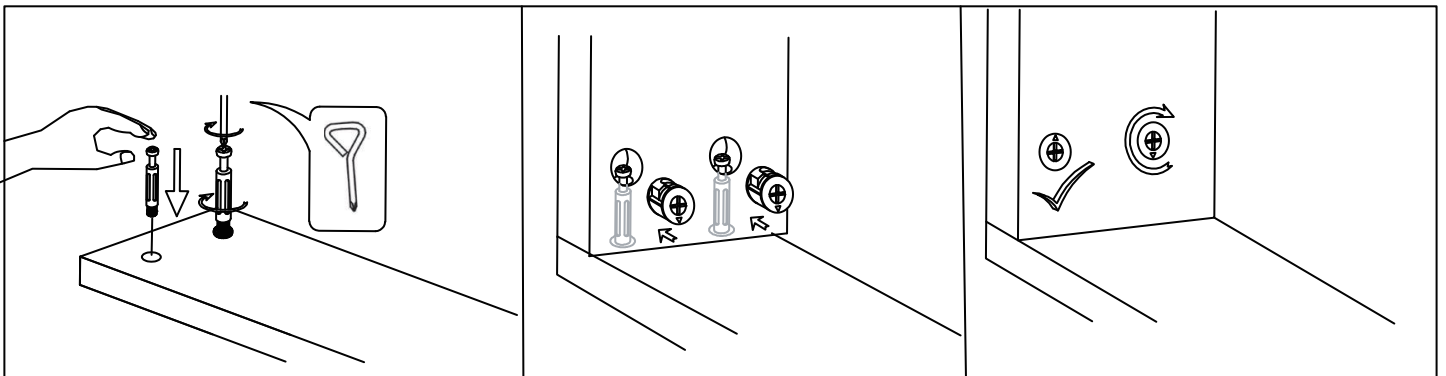


Light strip



Insert nut  
F10\*9

If the nut is missing from the panel,  
use a hammer to drive in the spare nut

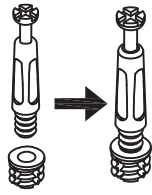


## Attention :

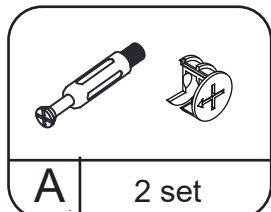
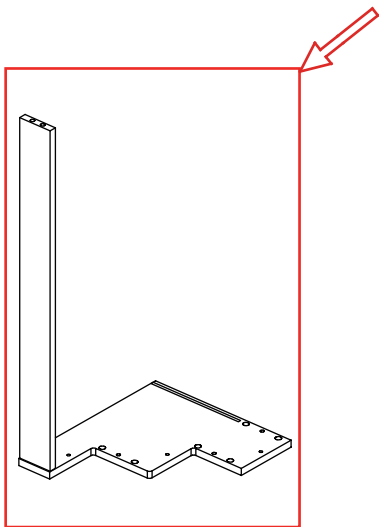
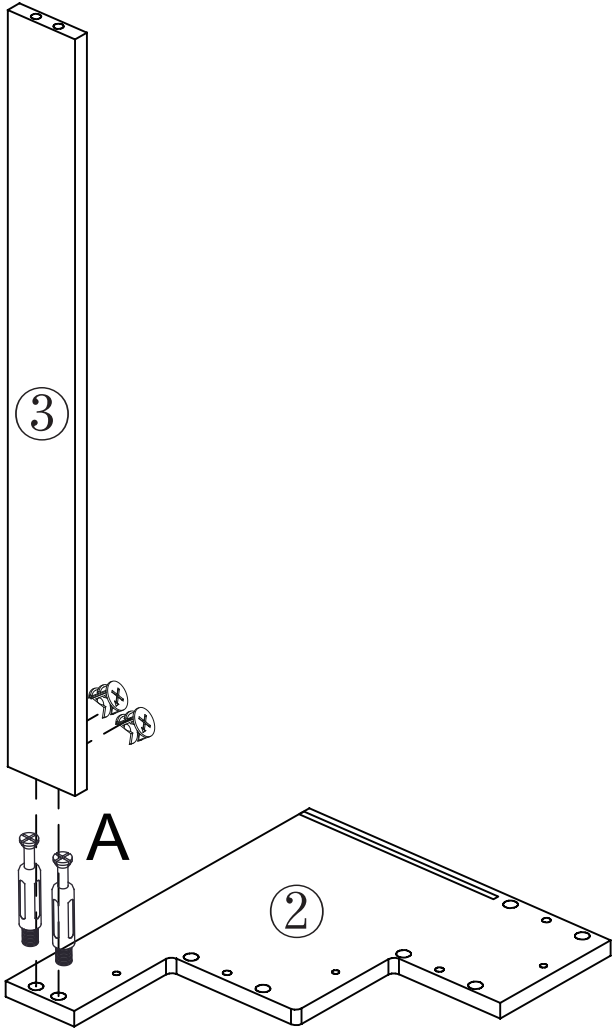
1. Please place the product on the carpet or carton to assemble to avoid scratching the floor;
2. During the installation process, keep away from children and pets, and avoid accidentally swallowing spare parts;
3. It is recommended to use a low-speed electric drill for installation.

# INSTRUCTION MANUAL

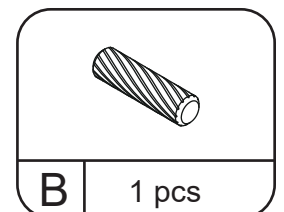
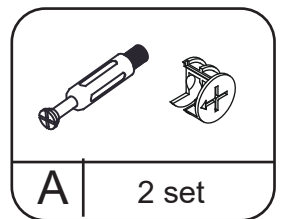
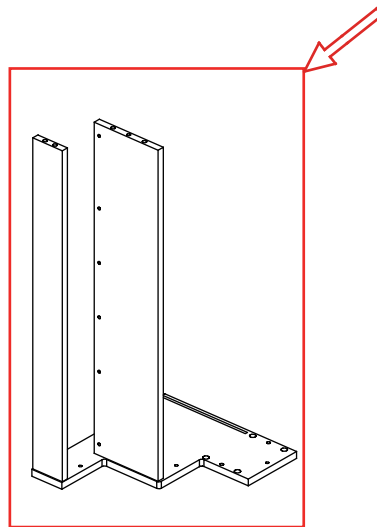
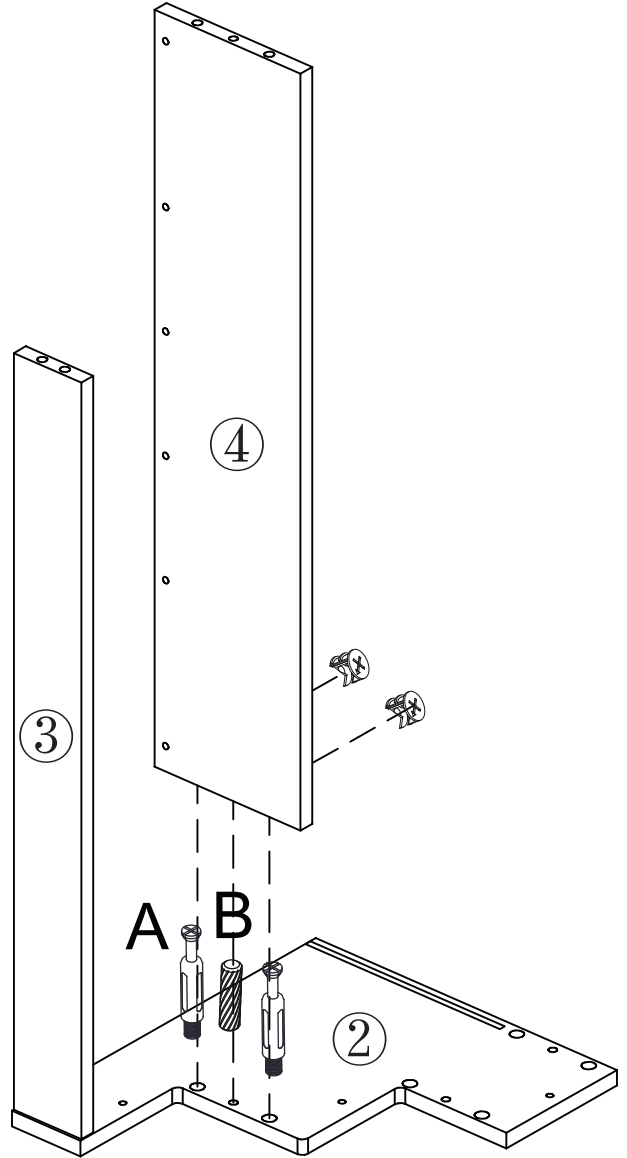
## Step 1



(Attention: Cam bolt & Insert nut need to be put together)

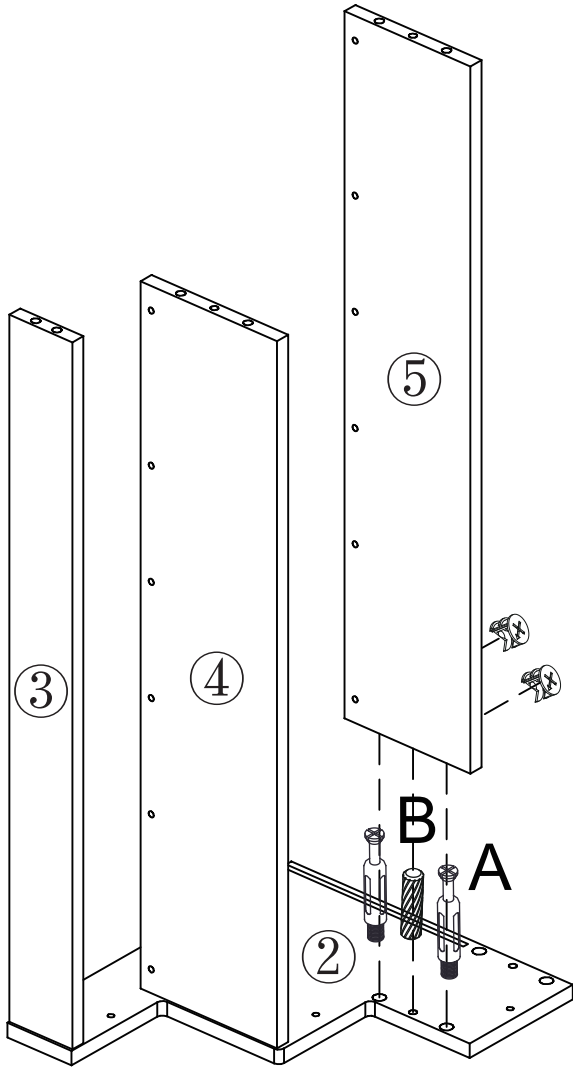


## Step 2

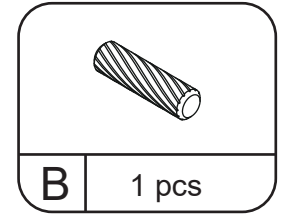
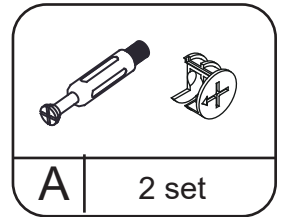
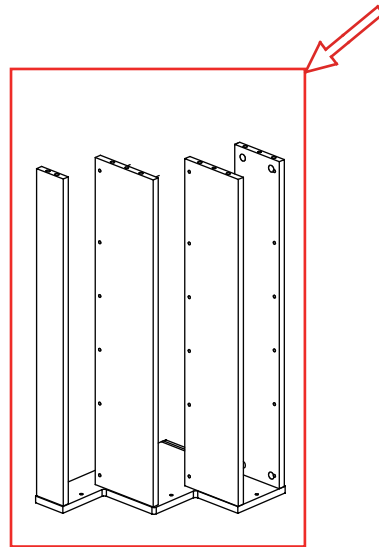
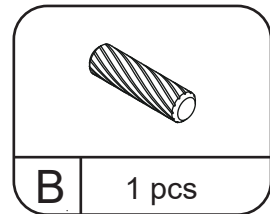
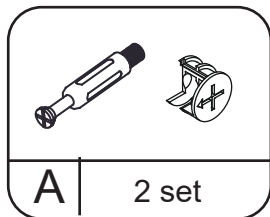
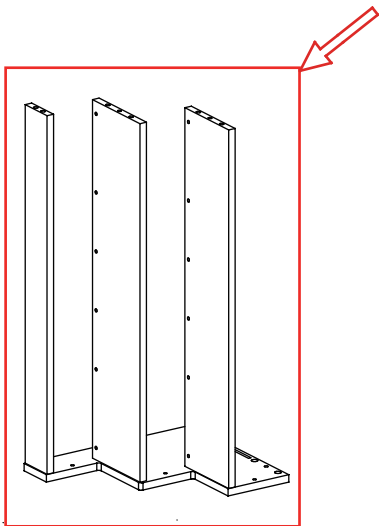
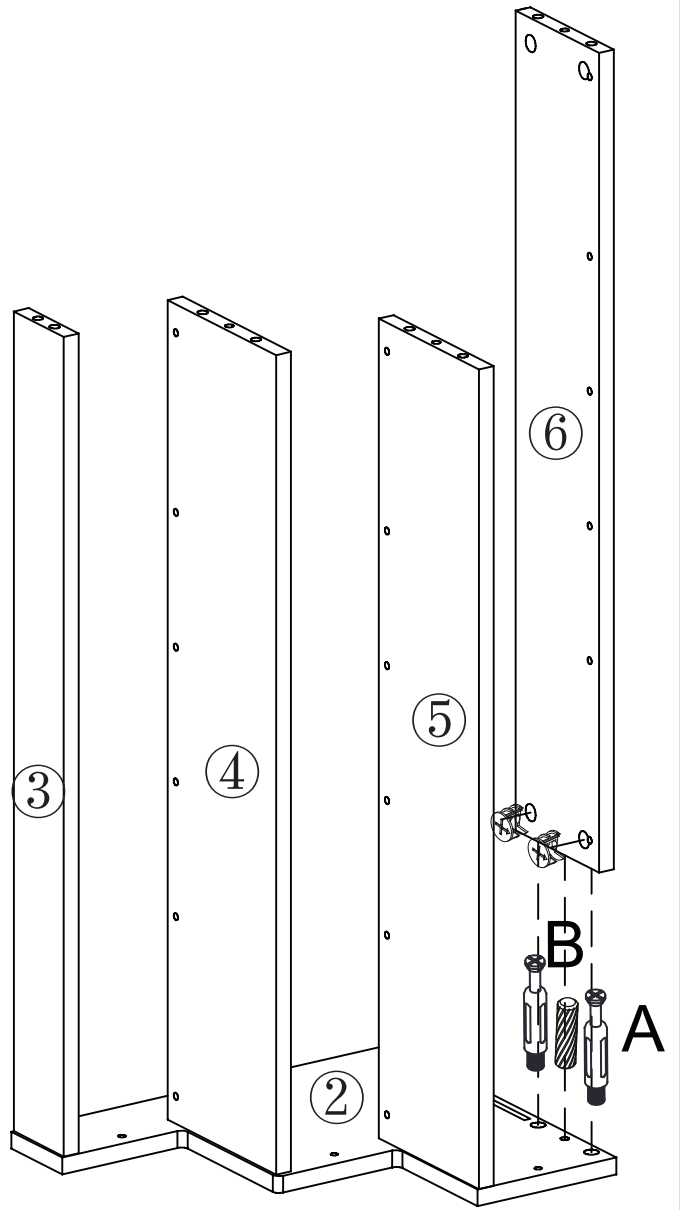


# INSTRUCTION MANUAL

## Step 3

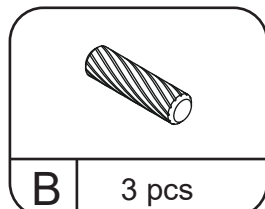
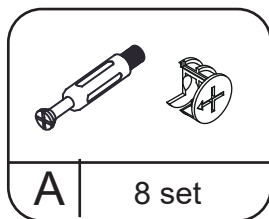
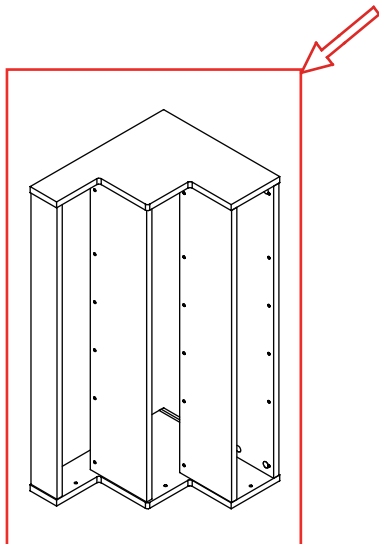
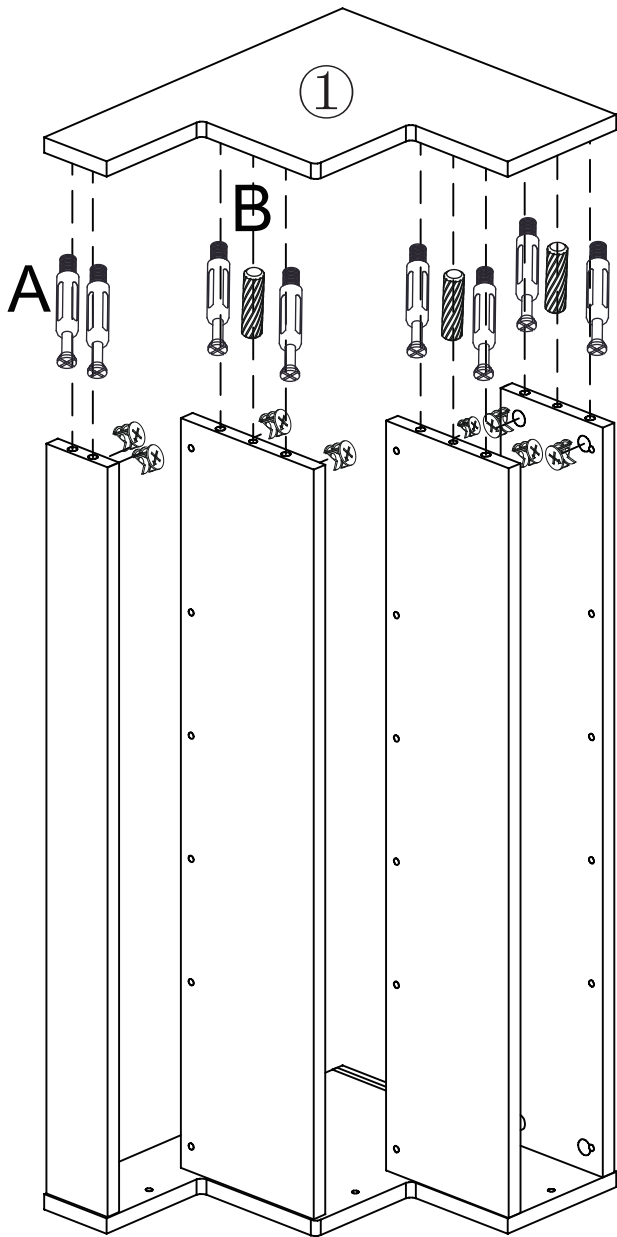


## Step 4

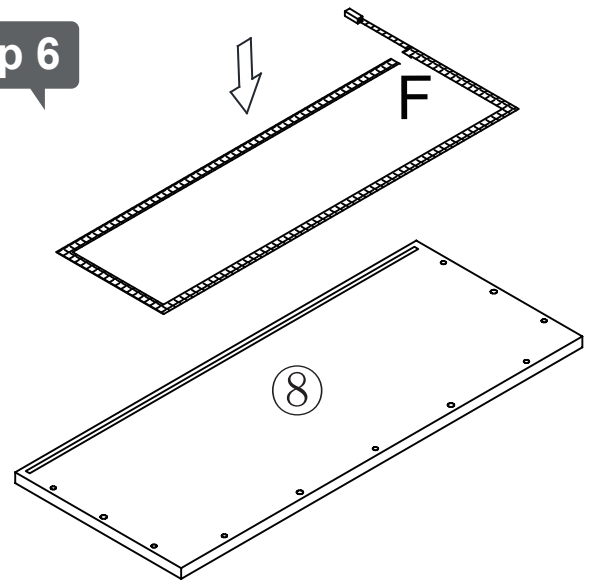


# INSTRUCTION MANUAL

## Step 5



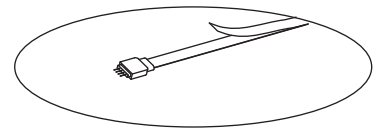
## Step 6



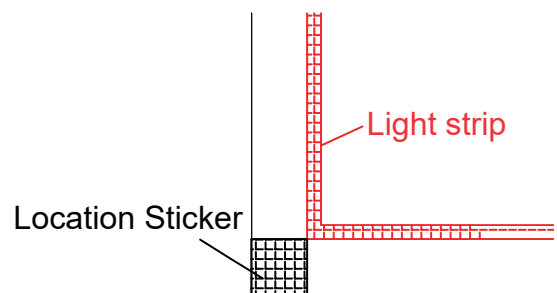
Stick Light strip to the ⑧

Note:

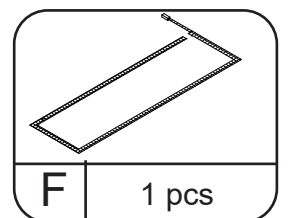
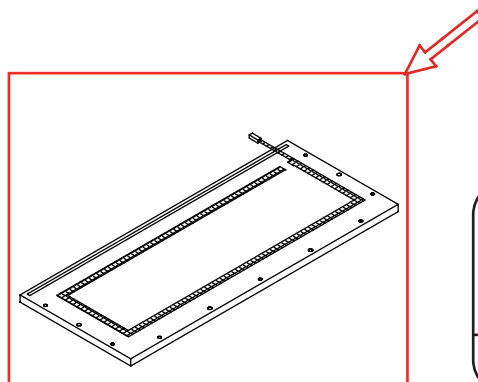
1. The direction of the light strip;
2. If the Light strip is pasted incorrectly, it should be gently removed to prevent damage.



For the best lighting effect, please pay attention to the place where the light strip is stuck as shown below.

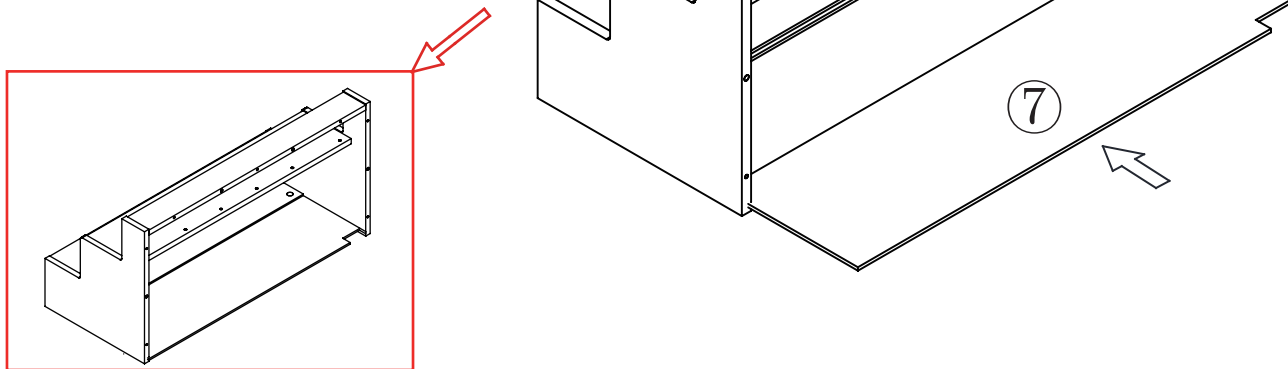


Remove the location sticker after the light strip is stuck.

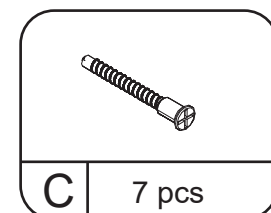
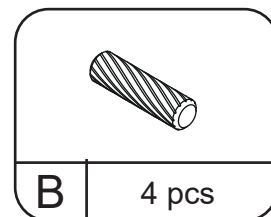
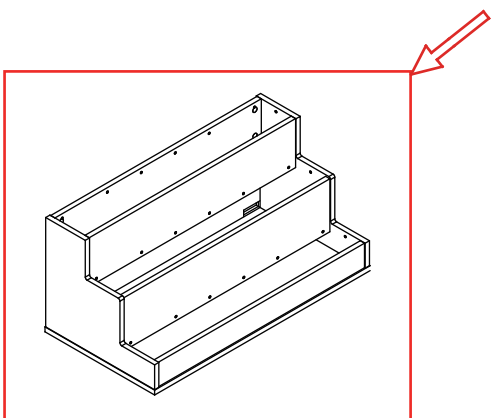
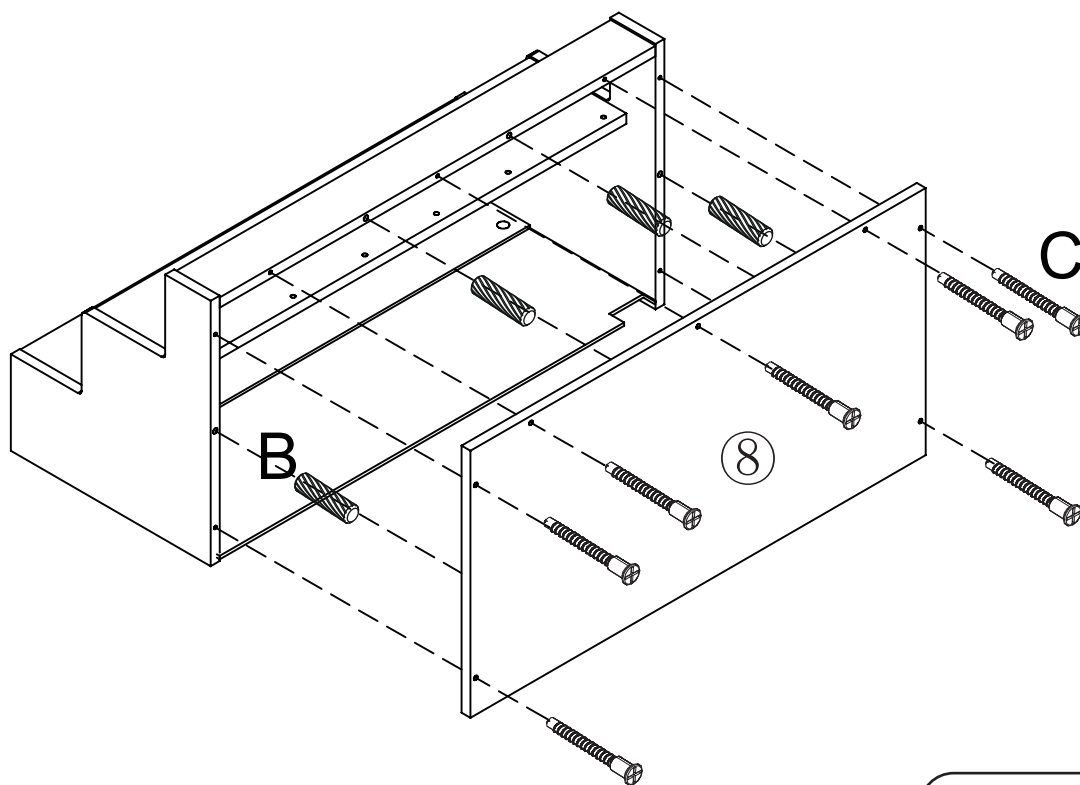


# INSTRUCTION MANUAL

## Step 7

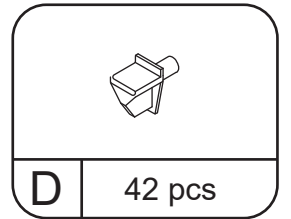
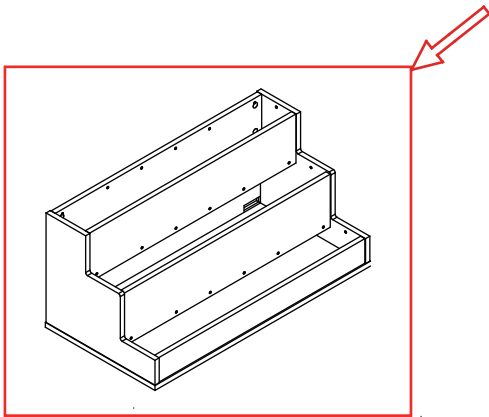
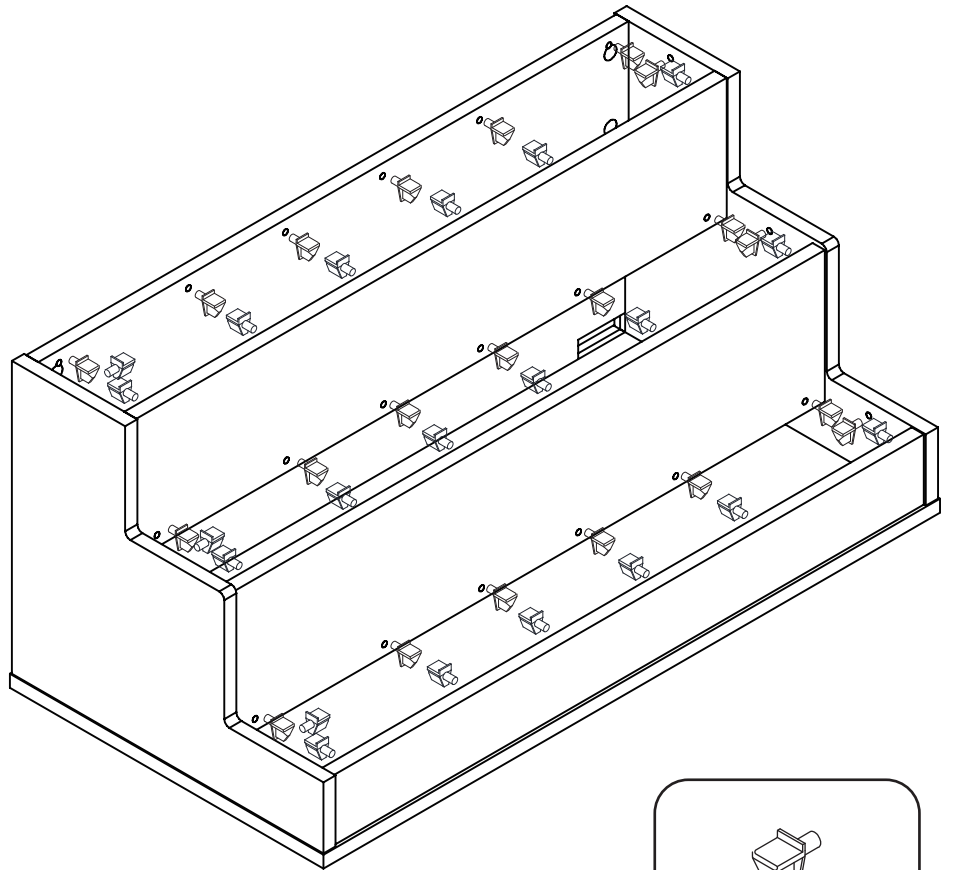
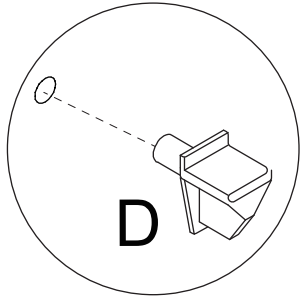


## Step 8

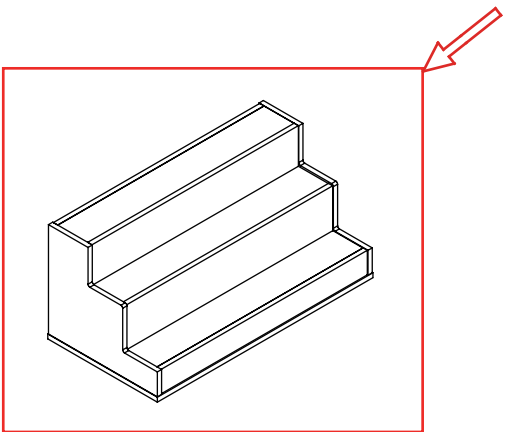
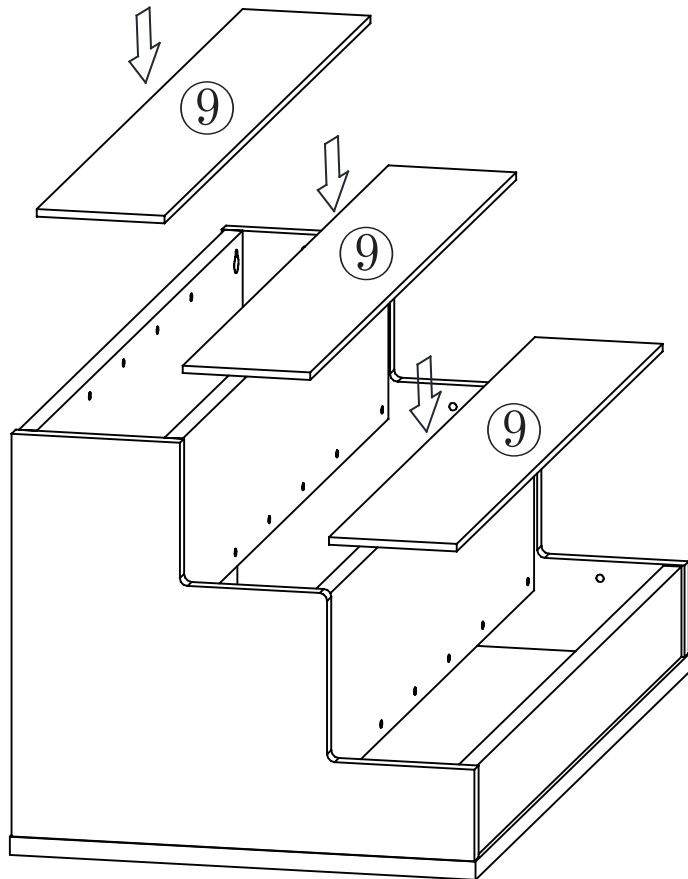
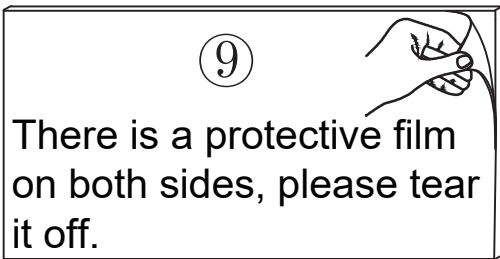


# INSTRUCTION MANUAL

## Step 9



## Step 10



# INSTRUCTION MANUAL

## Step 11

