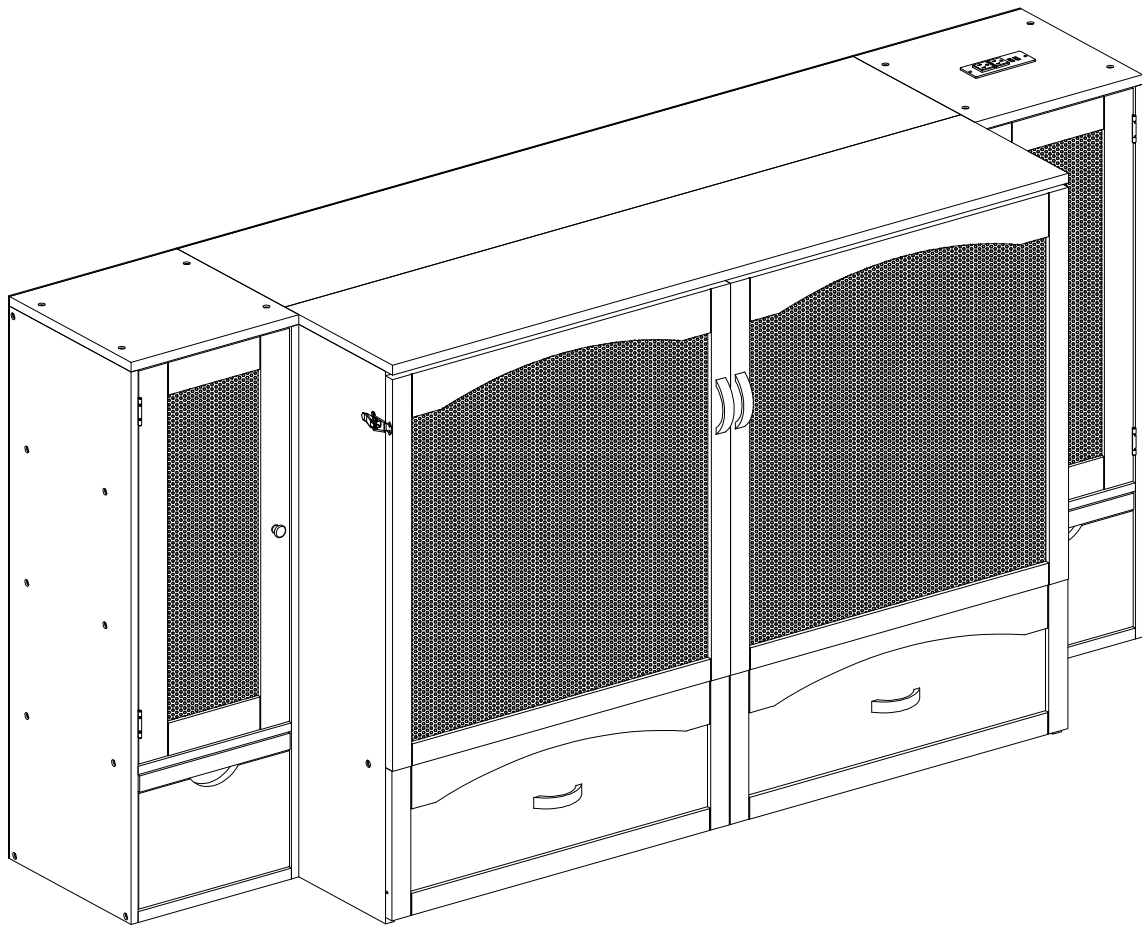


ASSEMBLY INSTRUCTIONS

FULL SIZE

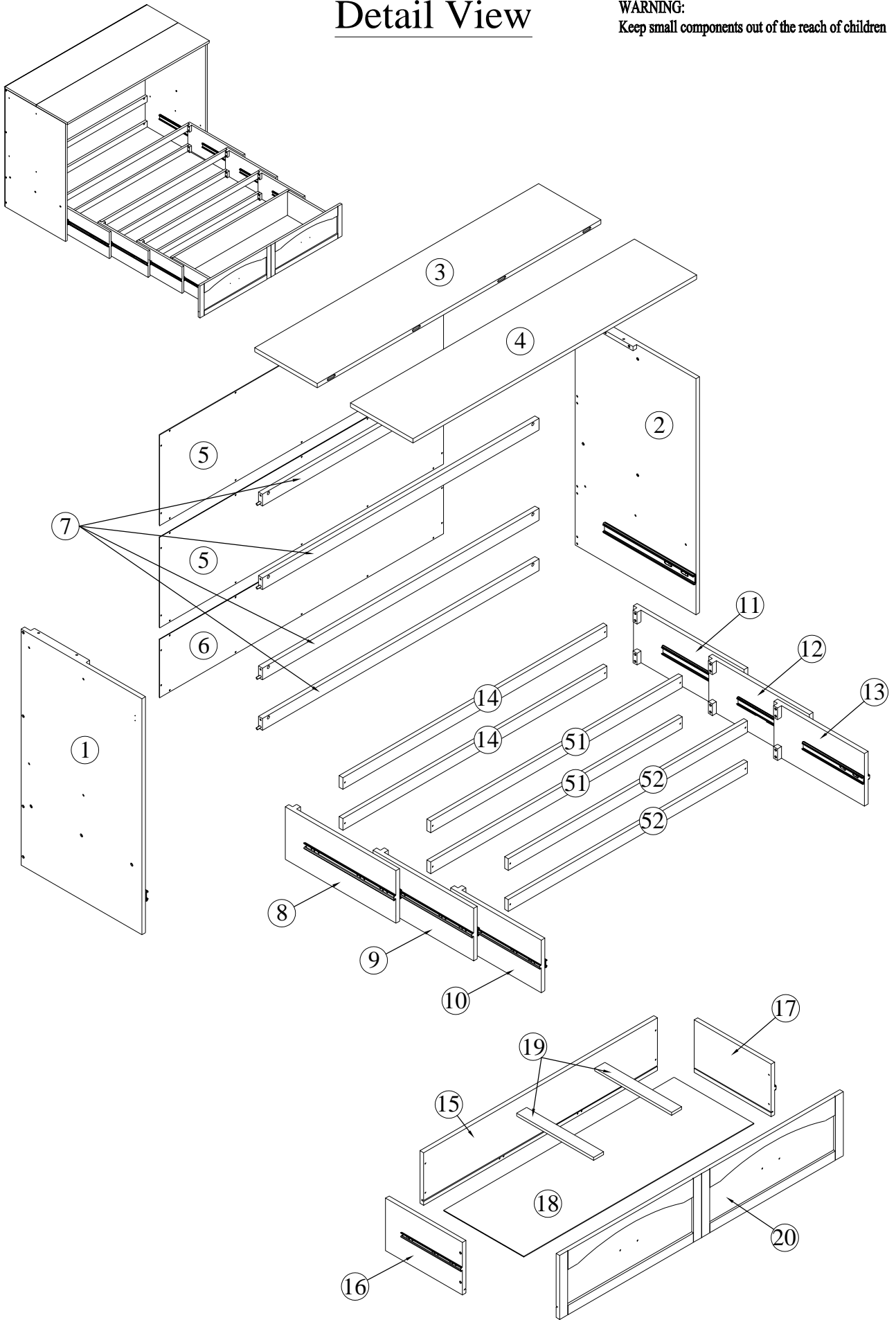


This set is included 3 boxes if don't receive full 3 boxes please contact our customer service team.

WF326313/14/15

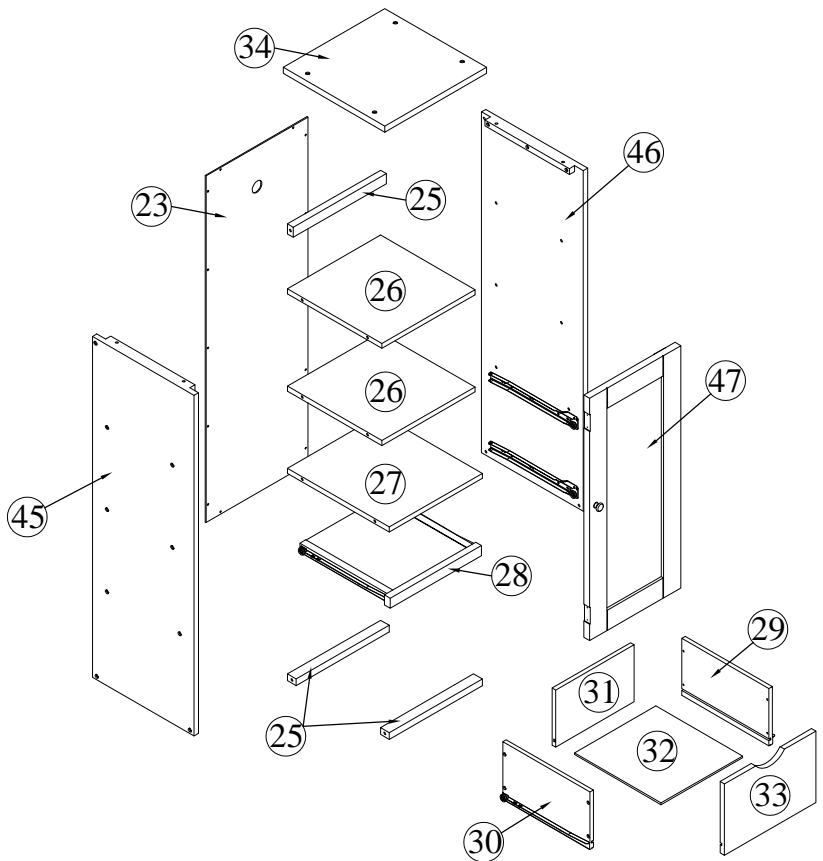
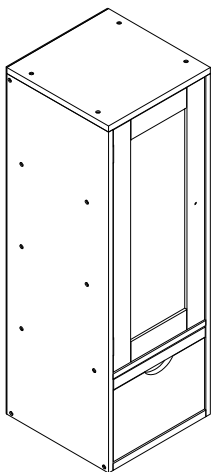
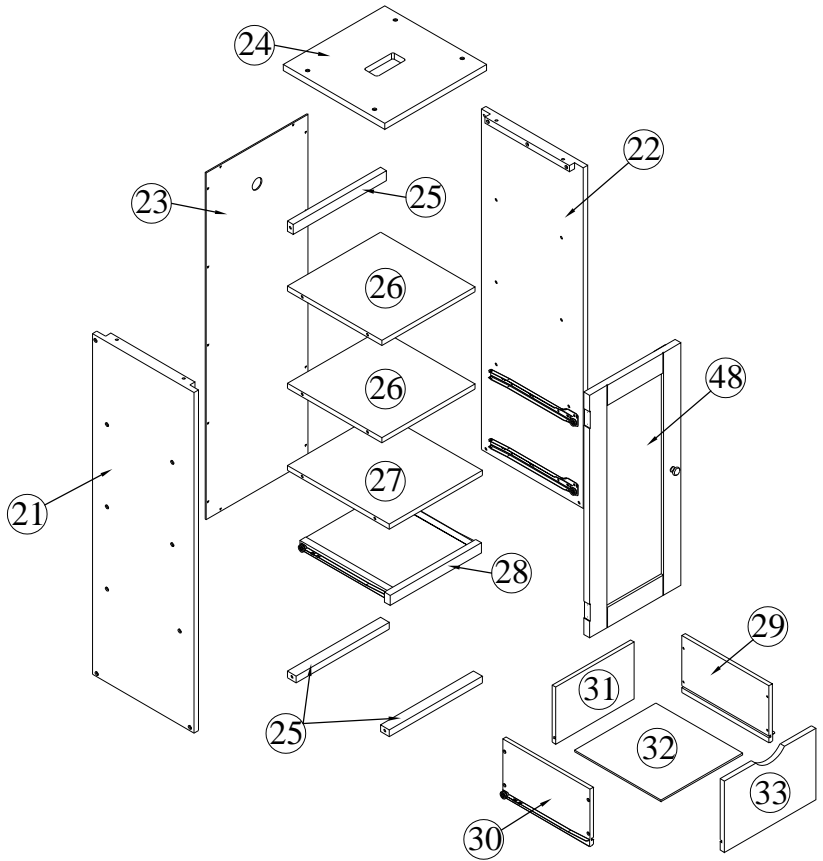
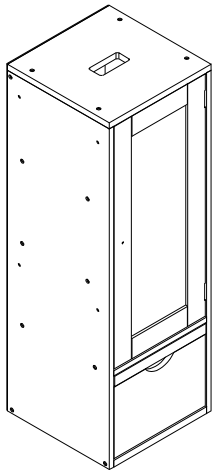
Detail View

WARNING:
Keep small components out of the reach of children



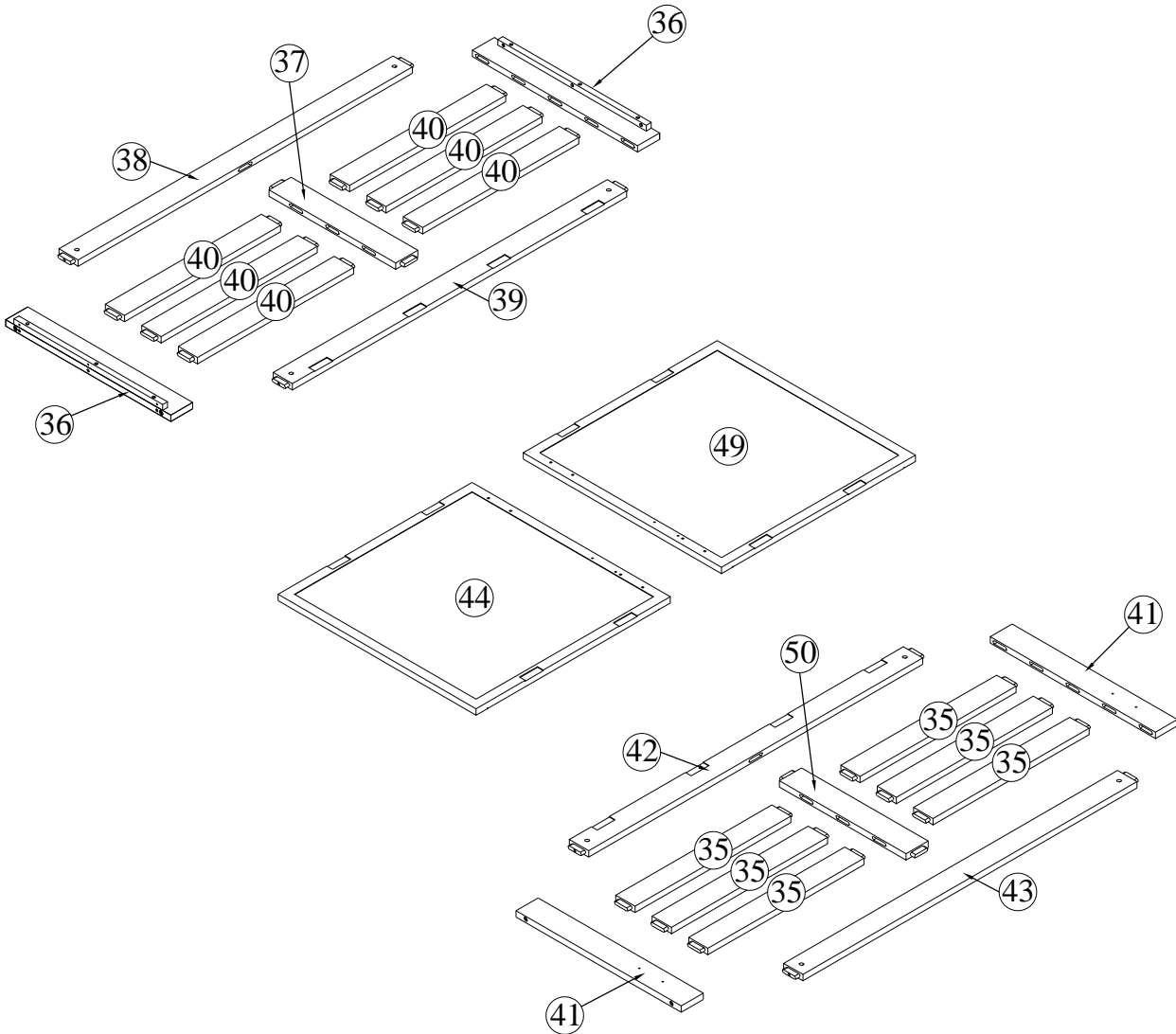
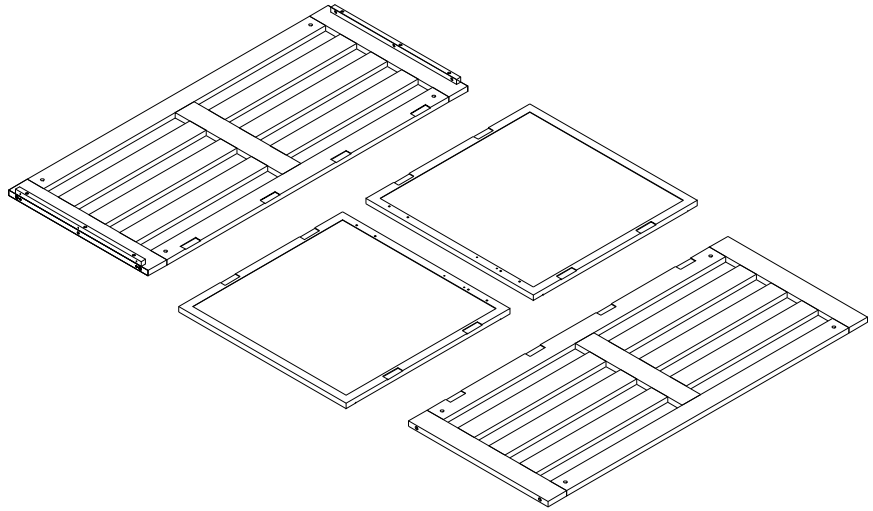
Detail View

WARNING:
Keep small components out of the reach of children

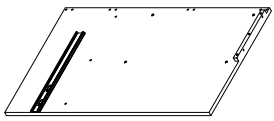
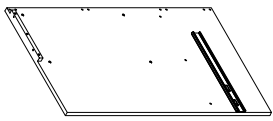
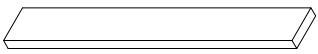
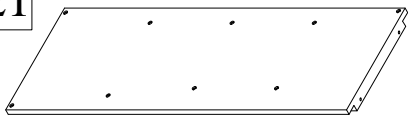
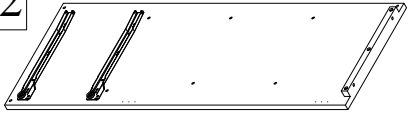
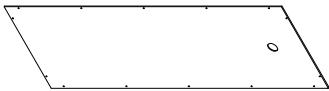
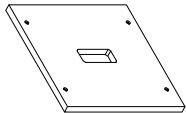
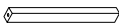
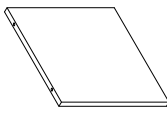
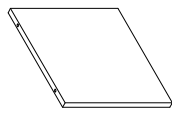
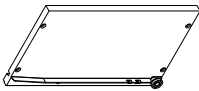
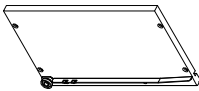
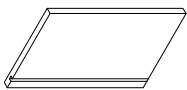
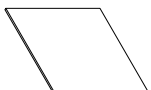
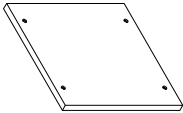
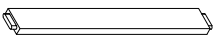
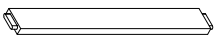
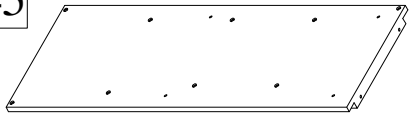
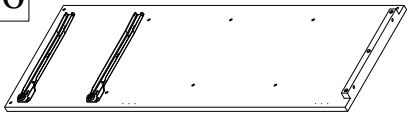


Detail View

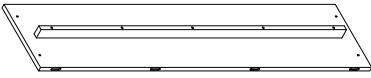
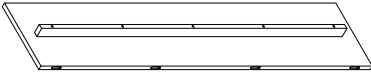

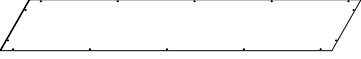
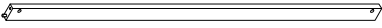

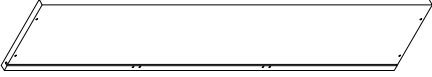
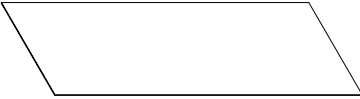

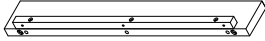


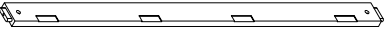

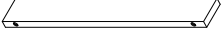



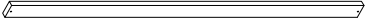
WARNING:
Keep small components out of the reach of children



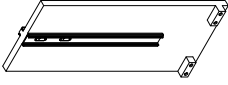
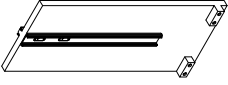
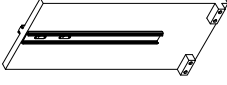
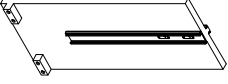
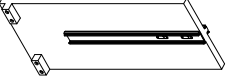
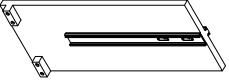

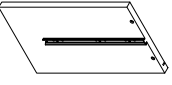
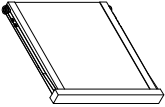
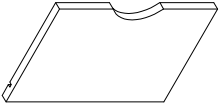

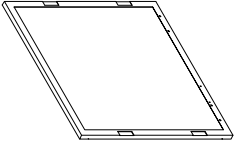
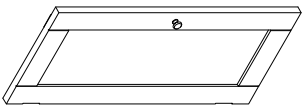
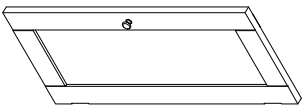
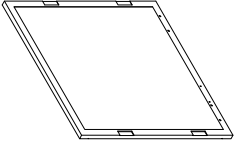

Part List : WF326313

1  Right Hip Plank - 1pc	2  Left Hip Plank - 1pc	19  Fix the bottom of the drawer - 2pcs
21  Cabinet Side Boards - 1pc	22  Cabinet Side Boards - 1pc	23  Cabinet backboard - 2pcs
24  Roof Plank - 1pc	25  Cross the cabinet - 6pcs	26  Shelves - 4pcs
27  Partition board - 2pcs	29  Drawer side - 2pcs	30  Drawer side - 2pcs
31  Backboard - 2pcs	32  Box bottom board - 2pcs	34  Roof Plank - 1pc
35  Puzzle along the middle - 1pc	40  Puzzle along the middle - 2pcs	45  Cabinet Side Boards - 1pc
46  Cabinet Side Boards - 1pc		

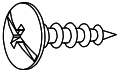
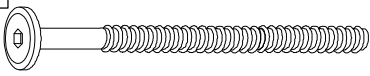
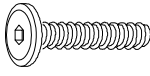
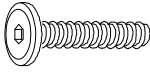
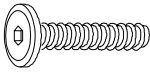
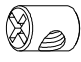
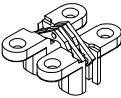

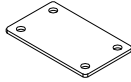
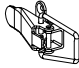


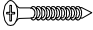

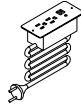
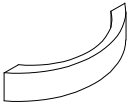
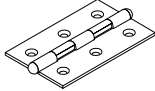
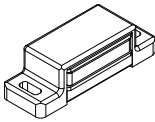
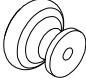

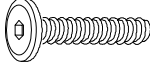
Part List : WF326314

3	4	5
		
Rear Roof Board - 1pc	Front Roof Board - 1pc	Upper Backboard - 2pcs
6	7	14
		
Lower Queen Board - 1pc	Quizzes - 4pcs	Pull frame rear puzzle - 2pcs
15	18	20
		
Backboard - 1pc	Drawer bottom board - 1pc	Drawer surface - 1pc
36	37	38
		
Puzzle along the frame - 2pcs	Puzzle along the middle - 1pc	Quiz outside - 1pc
39	40	41
		
Quiz outside - 1pc	Puzzle along the middle - 4pcs	Puzzle along the frame - 2pcs
42	43	51
		
Outer frame puzzle - 1pc	Quiz outside - 1pc	Pull frame rear puzzle - 2pcs
52		
		
Pull frame rear puzzle - 2pcs		

Part List : WF326315

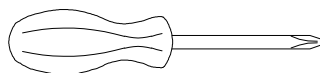
8  Side pull plank Left 1 - 1pc	9  Side plank pulling Left 2 - 1pc	10  Side plank pulls Left 3 - 1pc
11  Right pull hip board 1 - 1pc	12  Hip board pulled right 2 - 1pc	13  Hip board pulled right 3 - 1pc
16  Left hip plank - 1pc	17  Right hip plank - 1pc	28  Drawer board - 2pcs
33  Pocket face board - 2pcs	35  Puzzle along the middle - 5pcs	44  Frame assembly - 1pc
47  Door - 1pc	48  Door - 1pc	49  Frame assembly - 1pc
50  Puzzle along the middle - 1pc		

Hardware List : WF326315

A	B	C
		
Screw # 3.5 x 15mm - 78pcs	Hex-head bolt - Ø1/4" x 100mm - 8pcs	Hex-head bolt - Ø1/4" x 25mm - 8pcs
D	E	F
		
Hex-head bolt - Ø1/4" x 50mm - 8pcs	Hex-head bolt - Ø1/4" x 30 mm - 54pcs	Horizontal-hole bolt - 1/4 x 15 mm - 16pcs
G	H	I
		
Negative Margin Table - 4pcs	Wheels - 10pcs	Piece of Iron - 2pcs
J	K	L
		
Lock In - 2pcs	External Key - 2pcs	Screw # 3.5 x 25mm - 78pcs
N	P	Q
		
Screw # 3.5 x 15mm - 68pcs	Screw Handle - 14pcs	USB Power Outlet
R	S	T
		
Iron Grip - 6pcs	Large Margin Table - 8pcs	Department of Sniffing - 2pcs
U	V	W
		
Wooden Handle - 2pcs	K 4 mm - 1pc	Hex-head bolt - Ø1/4" x 15mm - 8pcs

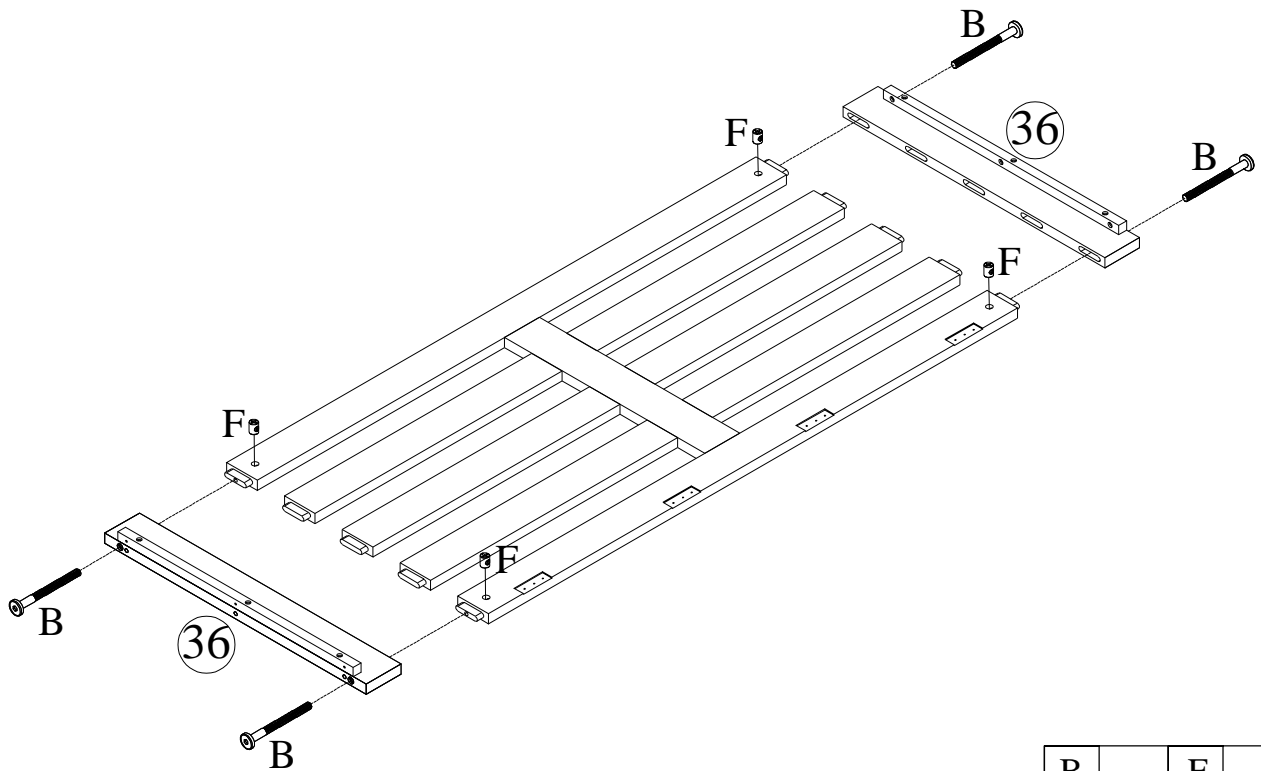
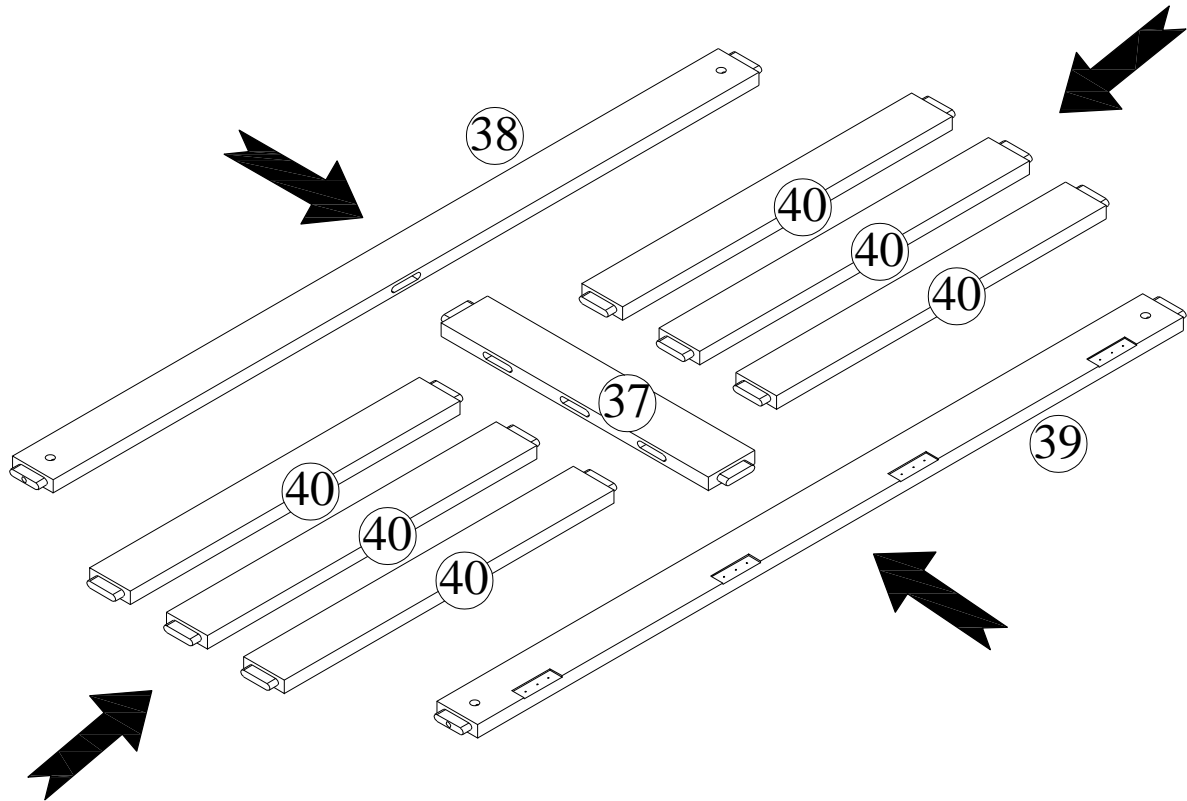
Please sort out all parts before you begin to assembly the item. This is to make sure you always use the correct part.



ASSEMBLY TOOLS REQUIRED (NOT INCLUDED)



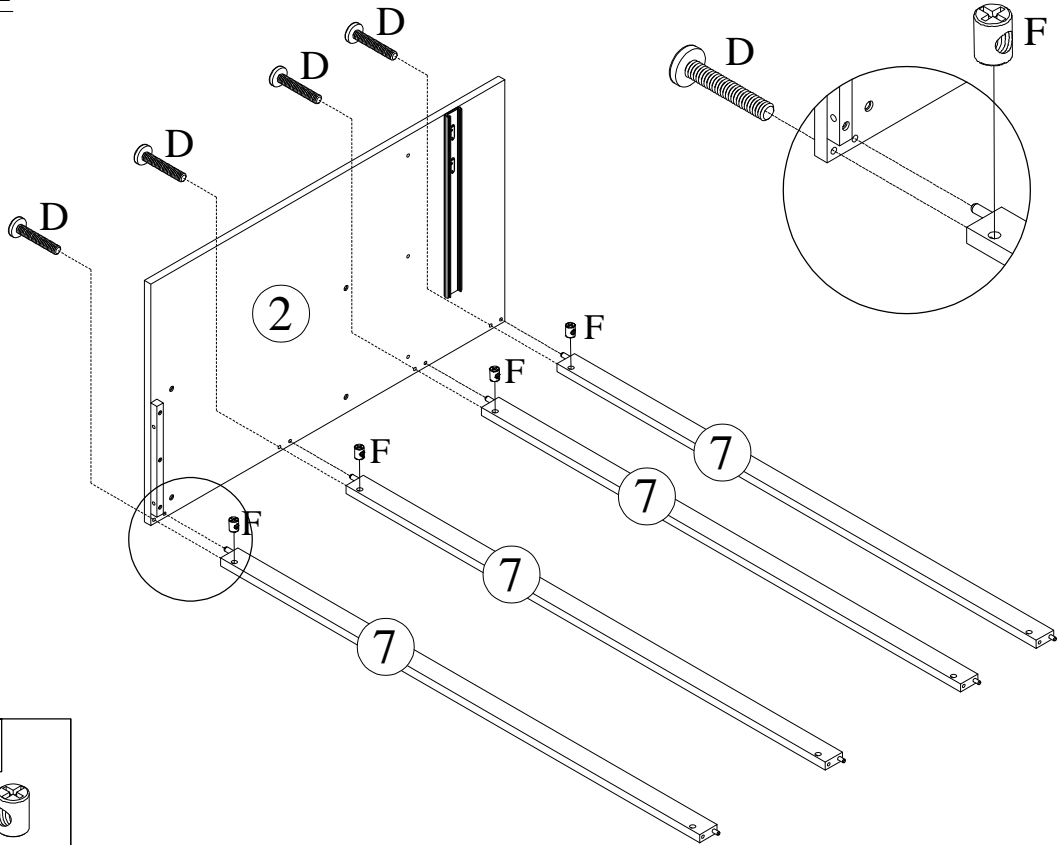
PLEASE BE CAREFUL DO NOT DAMAGE THE HOLE POSITION WHEN YOU USE POWER TOOLS !



STEP 1



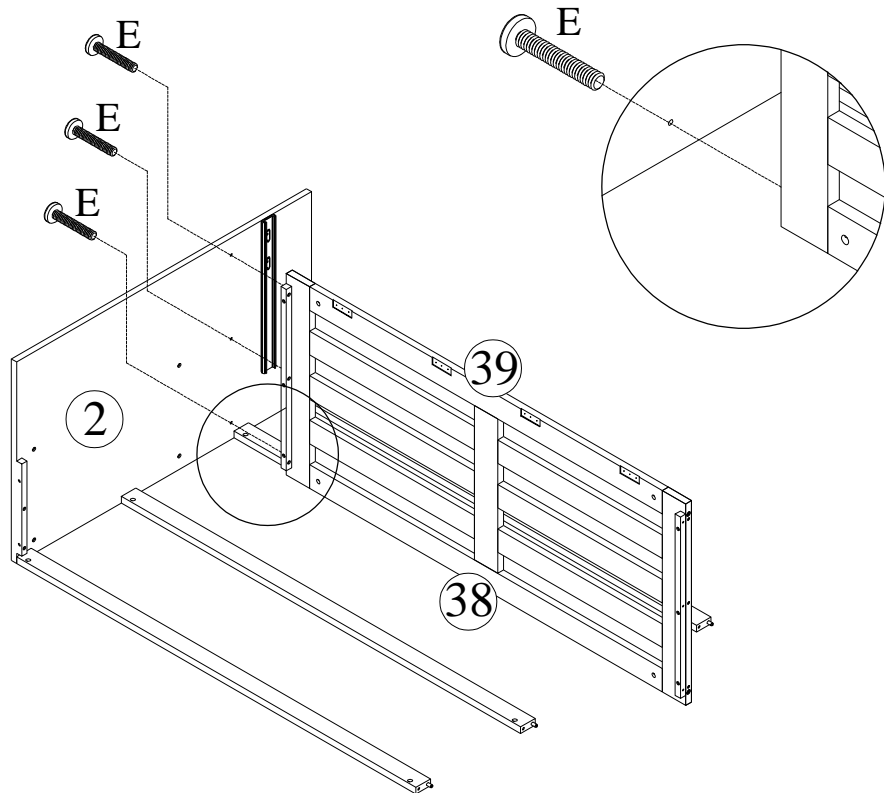
B	F
	
4	4


STEP 2



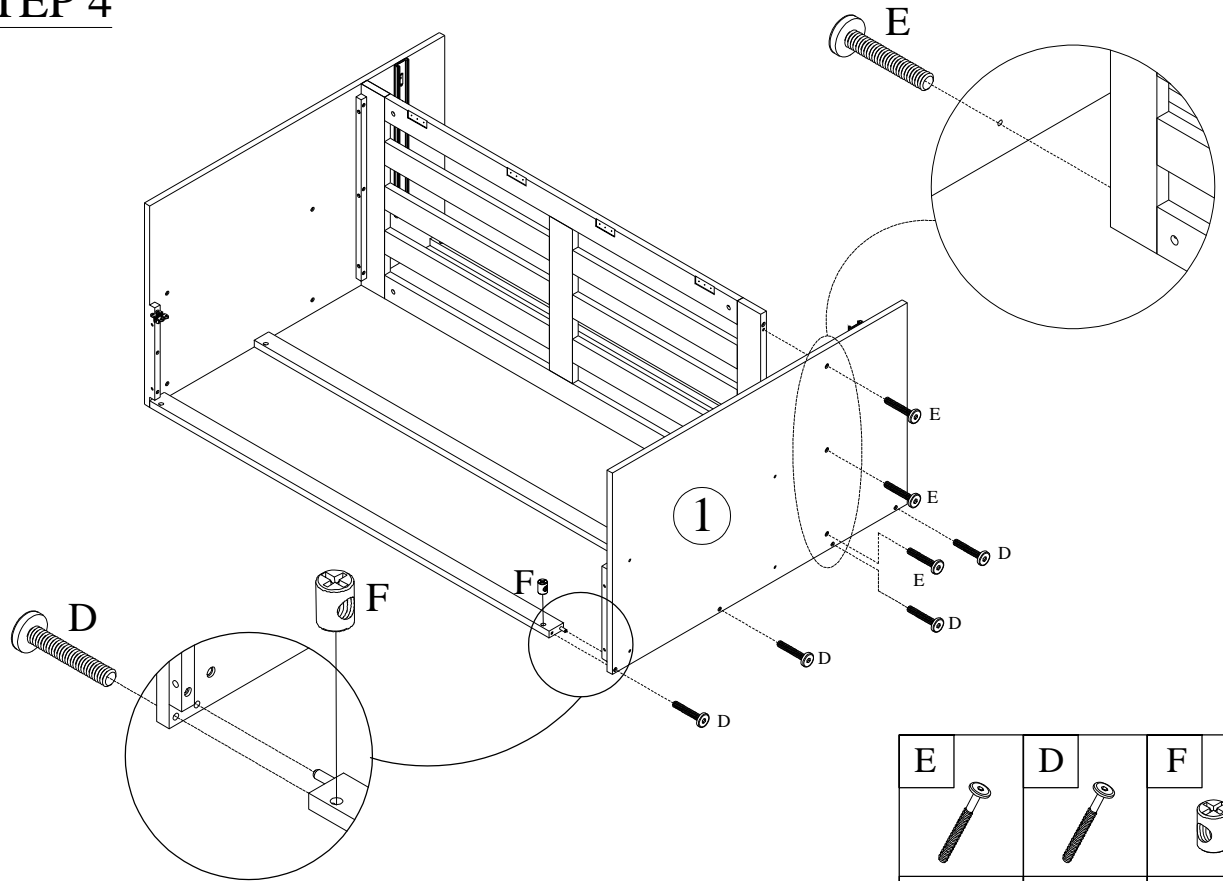
D	F
	
4	4




STEP 3



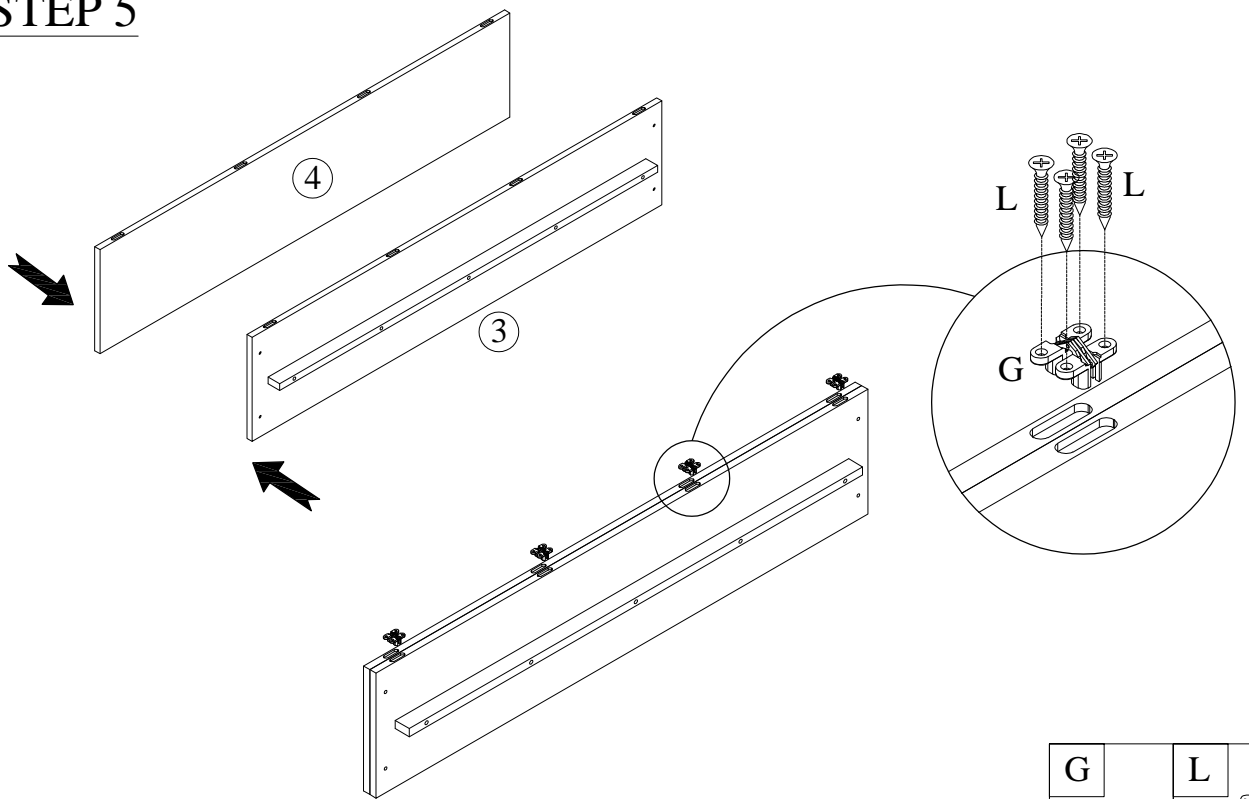
E

3

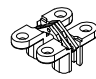

STEP 4



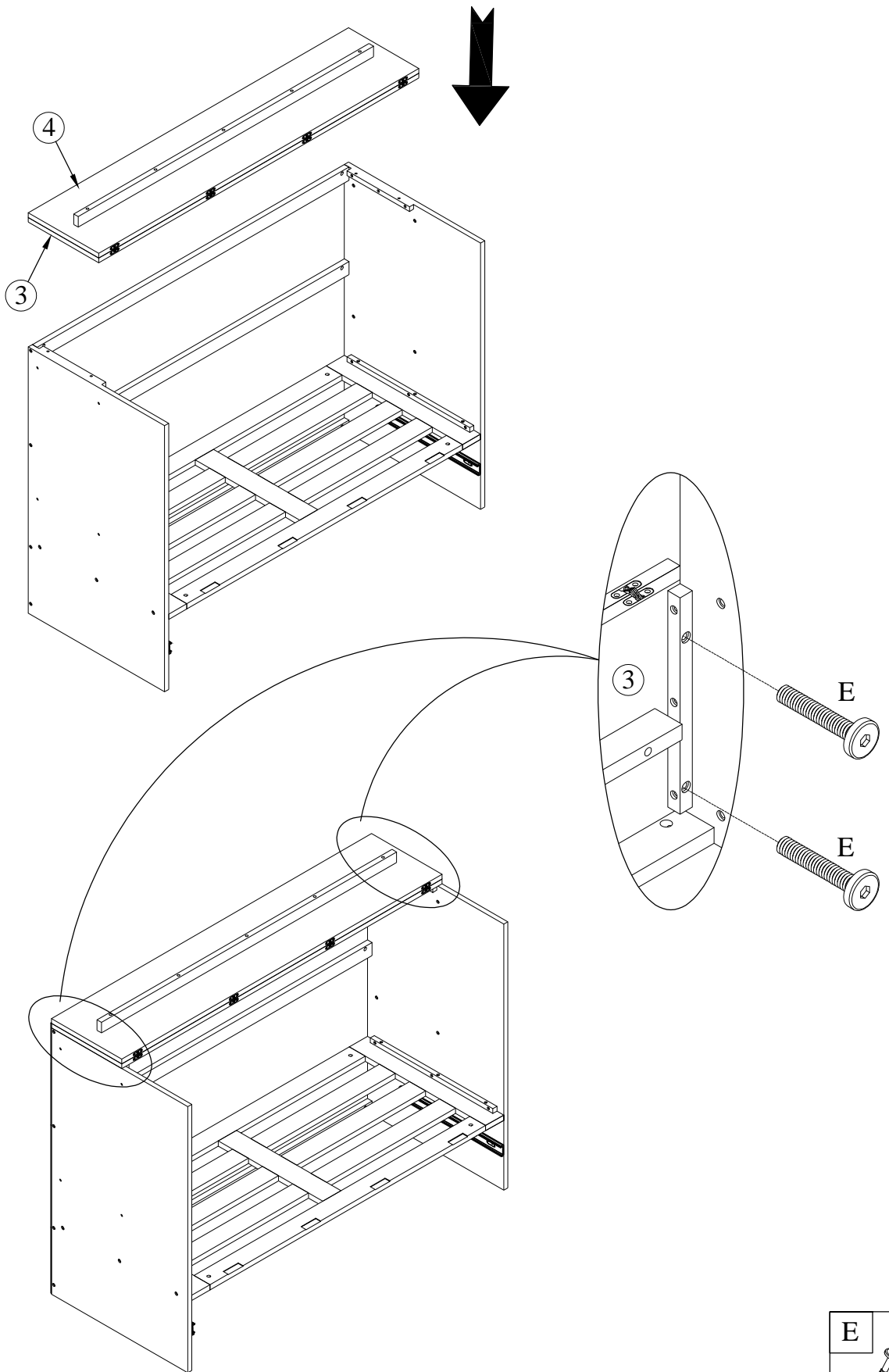
E	D	F
		
3	4	4


STEP 5




G	L
	
4	16

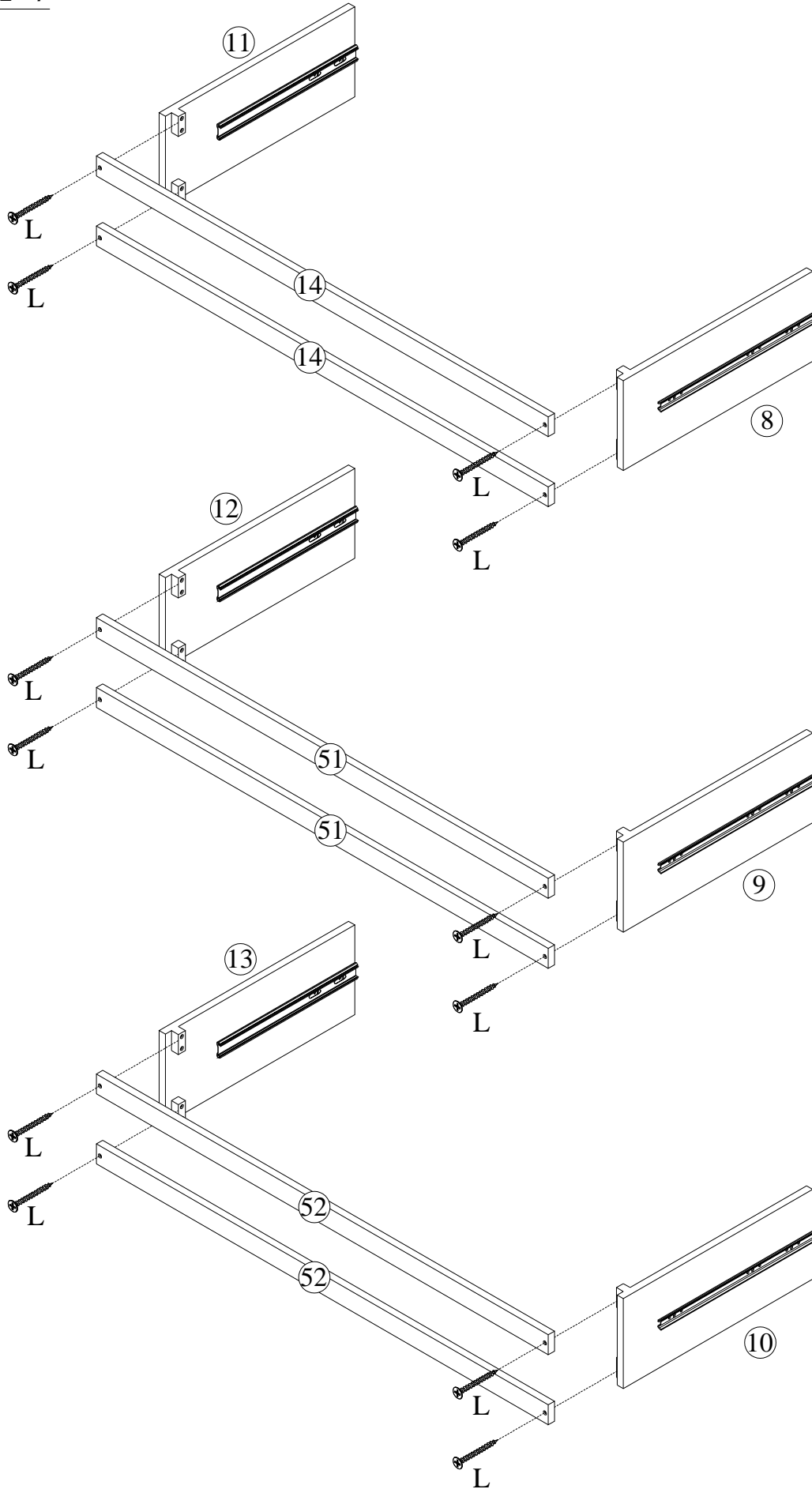
STEP 6



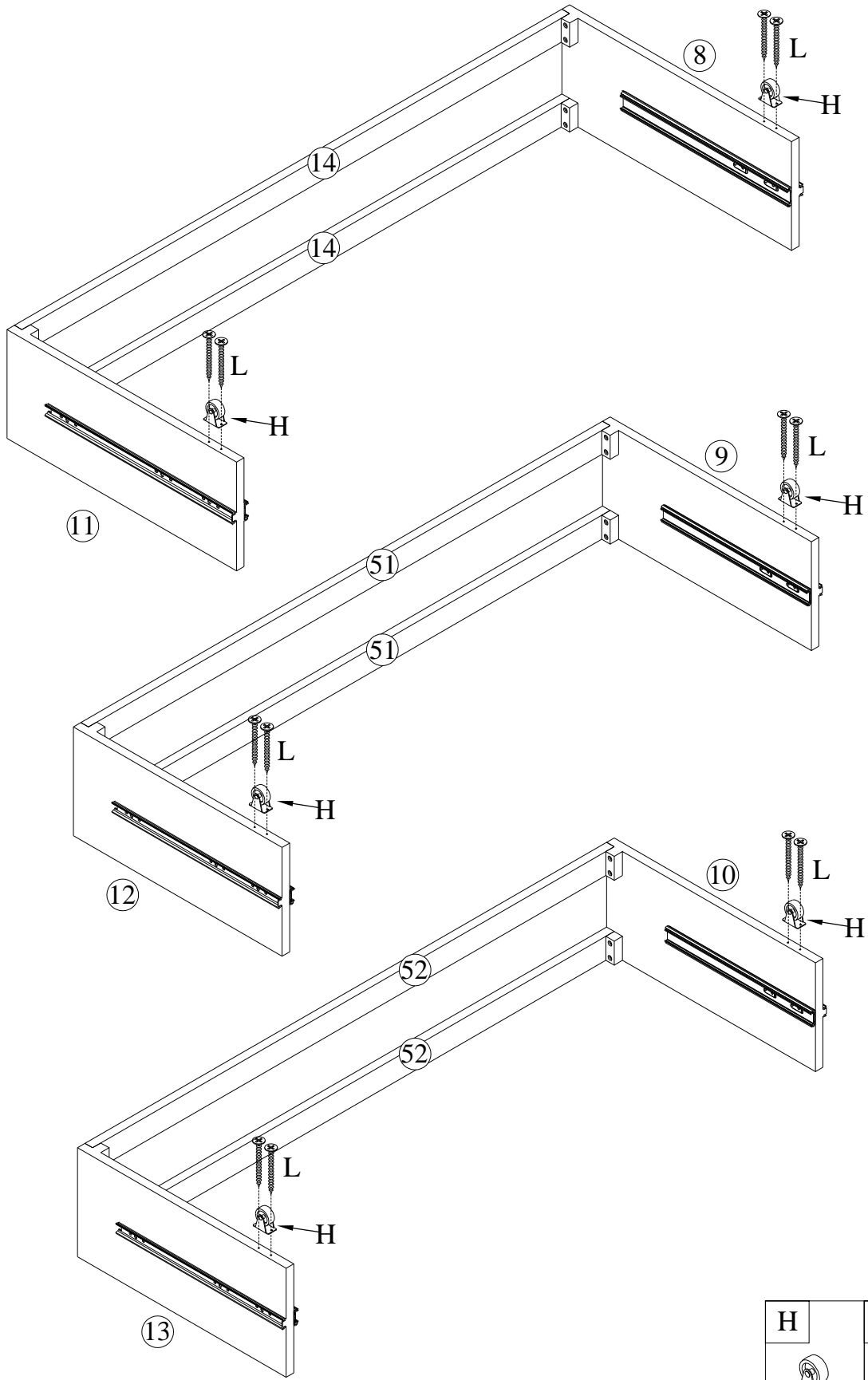
E

4



STEP 7

L

12




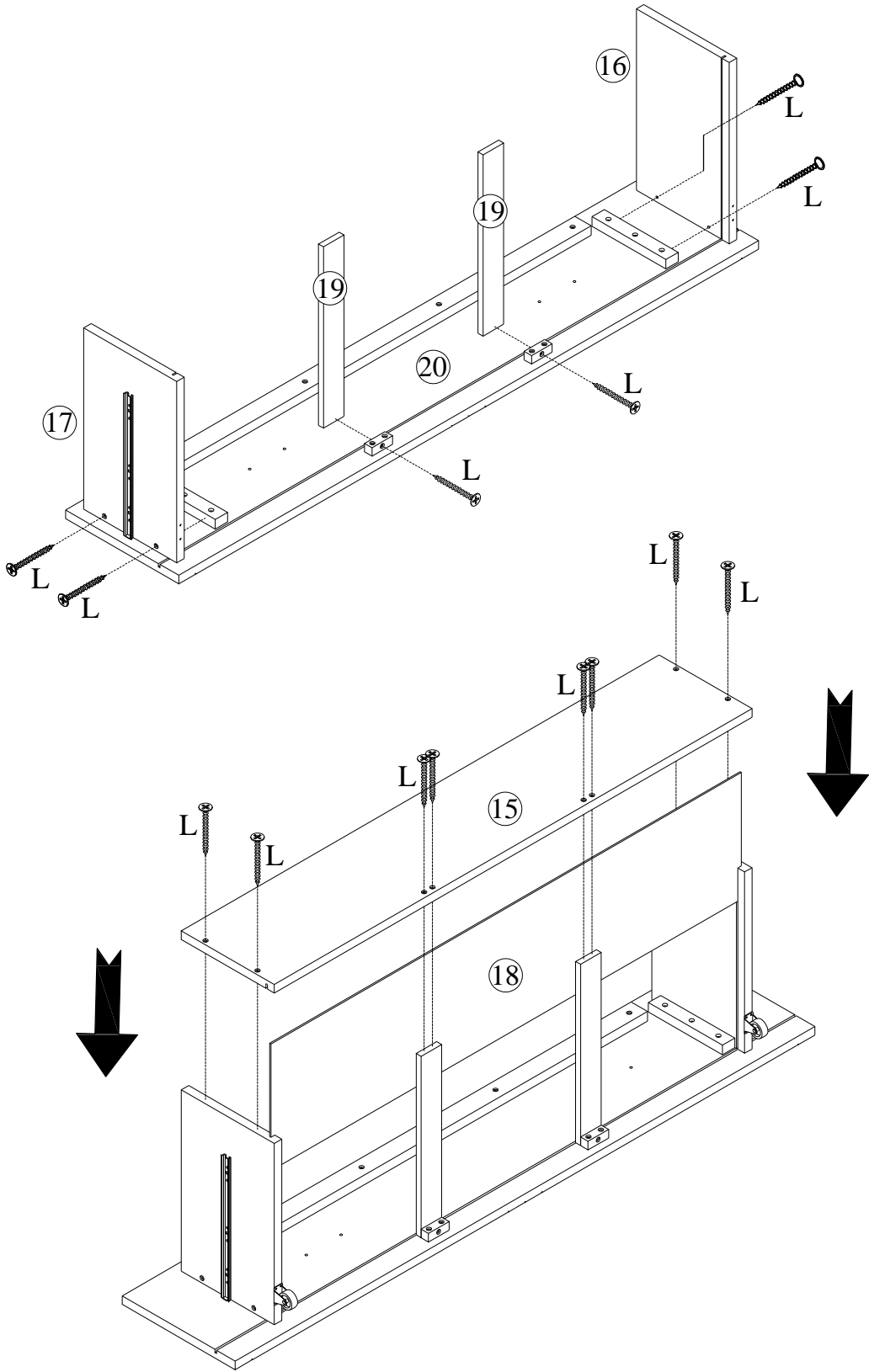
STEP 8



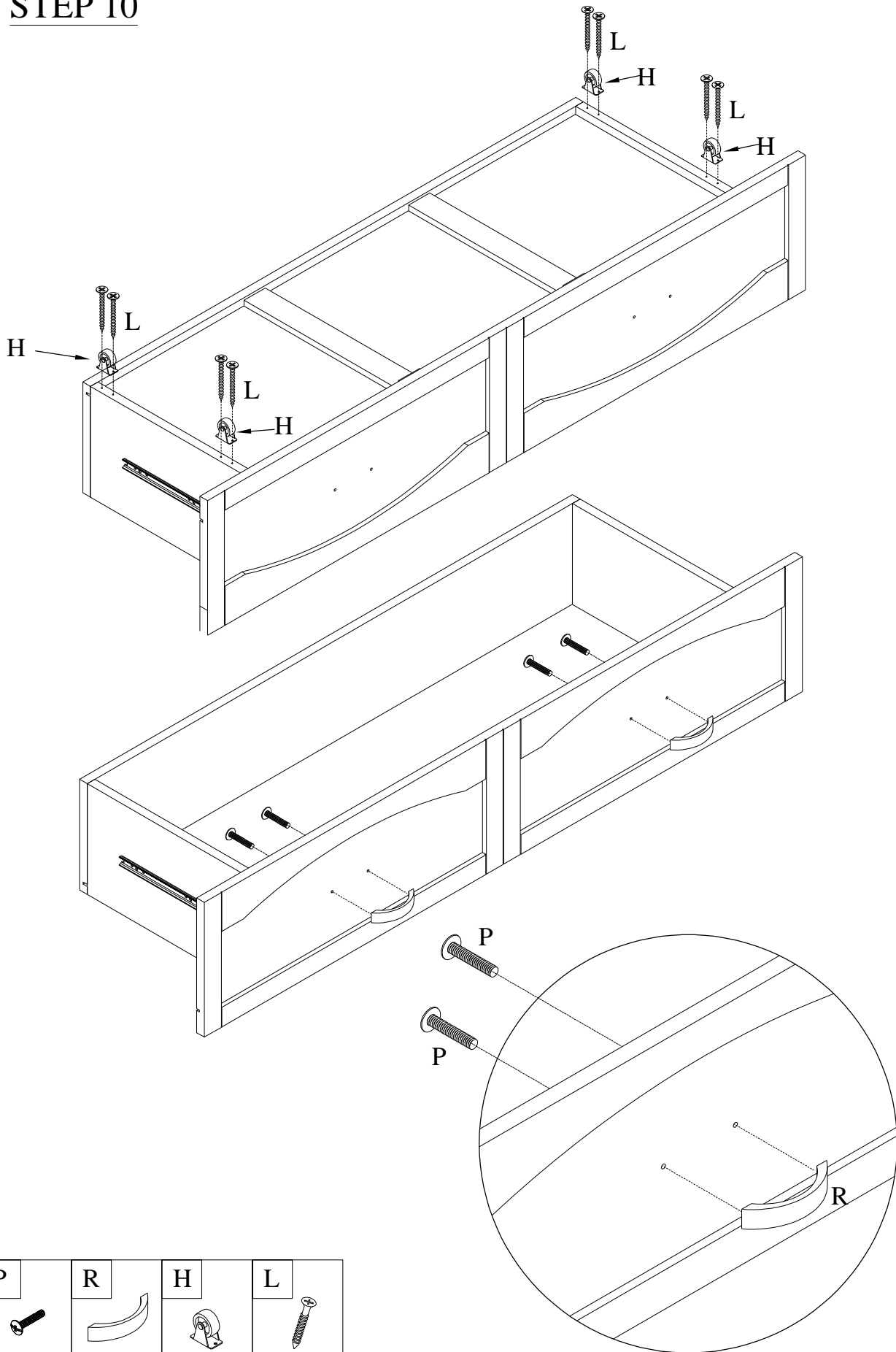
H	L
	
6	12





STEP 9

L

14

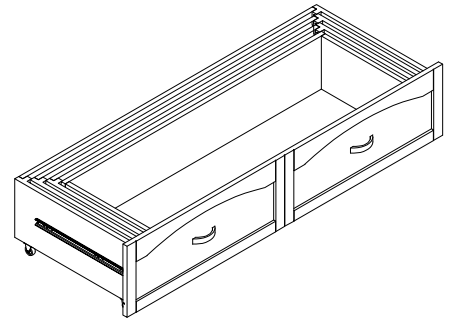


STEP 10

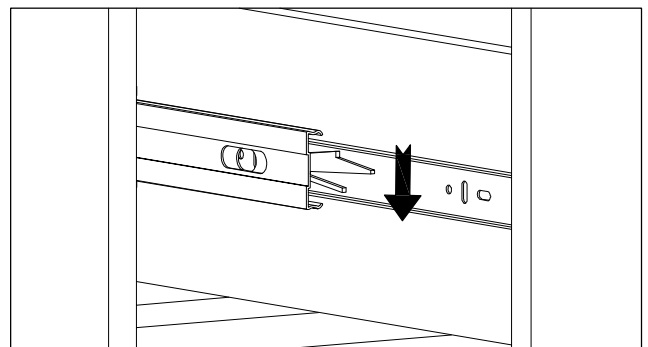
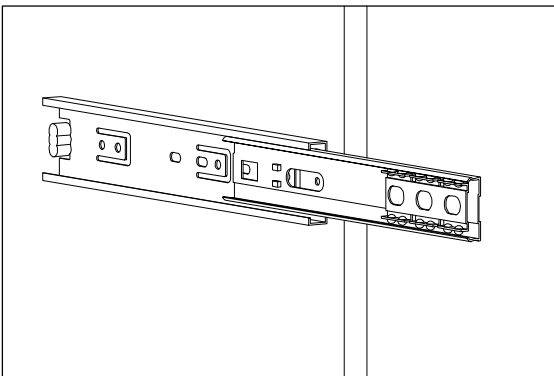
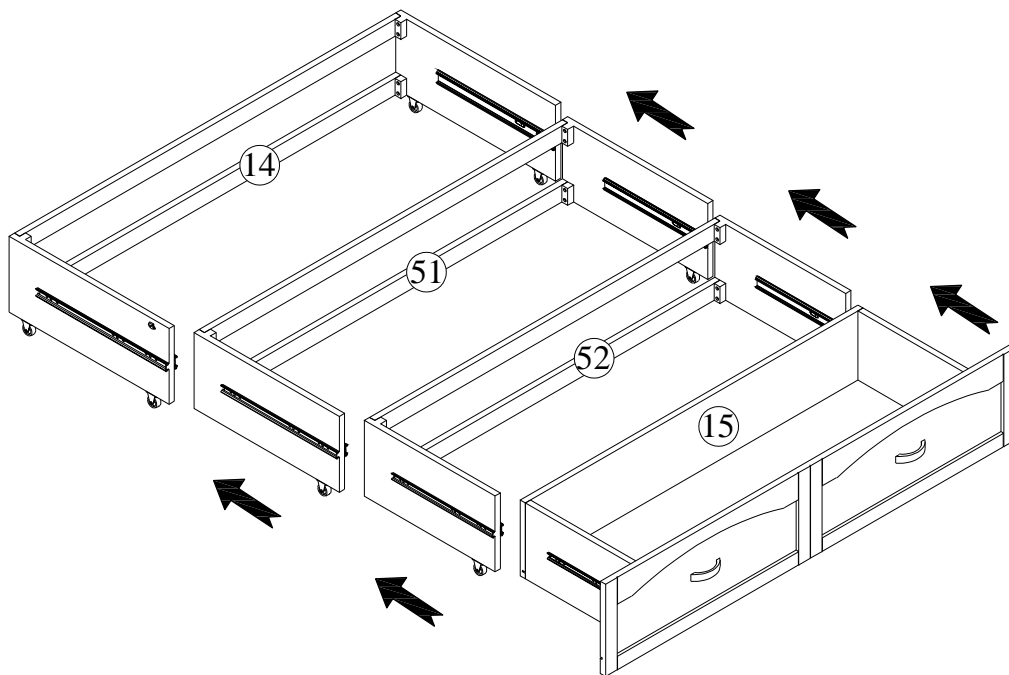


P	R	H	L
			
4	2	4	8

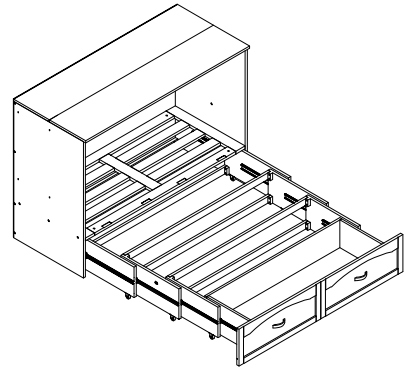
STEP 11



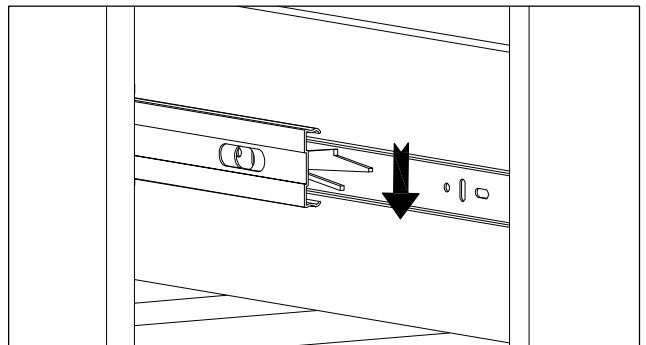
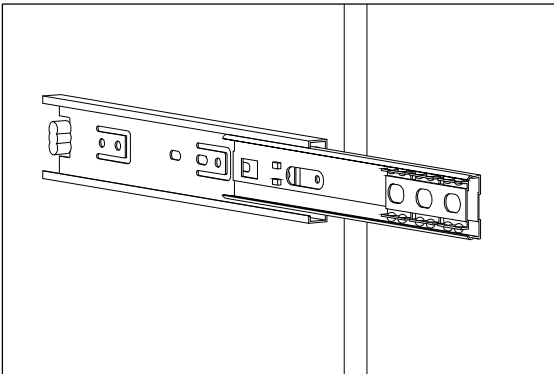
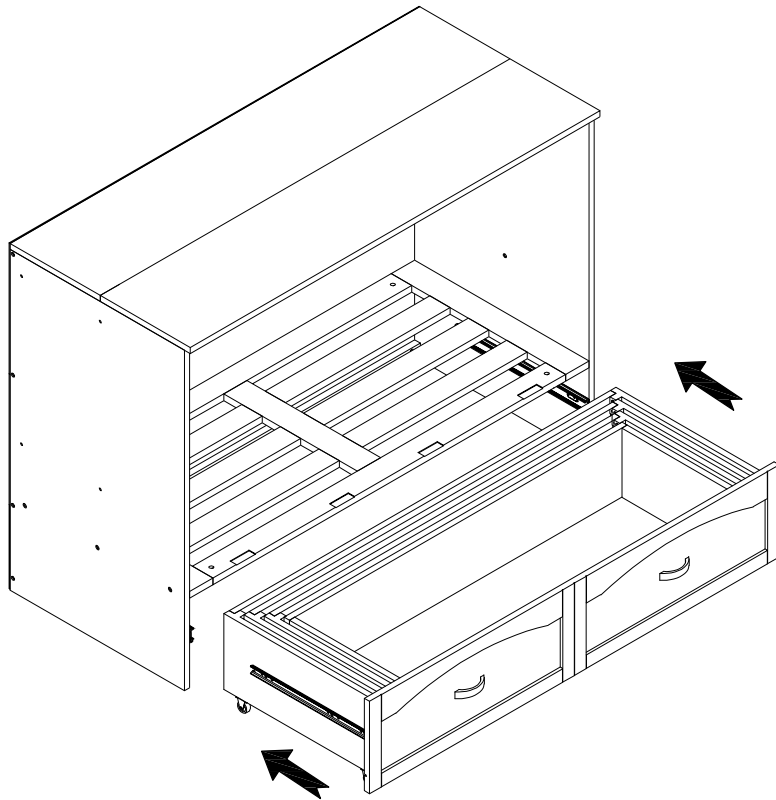
Complete





STEP 12

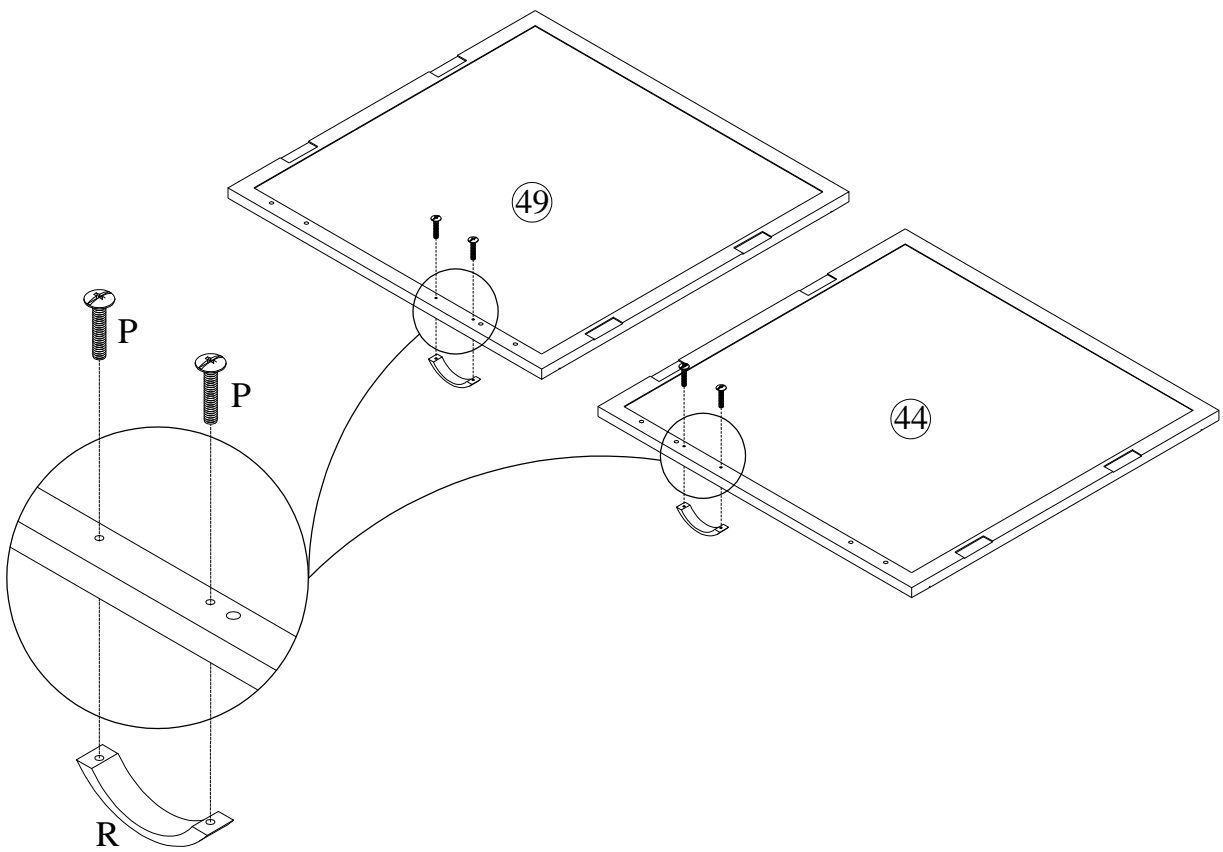


Complete

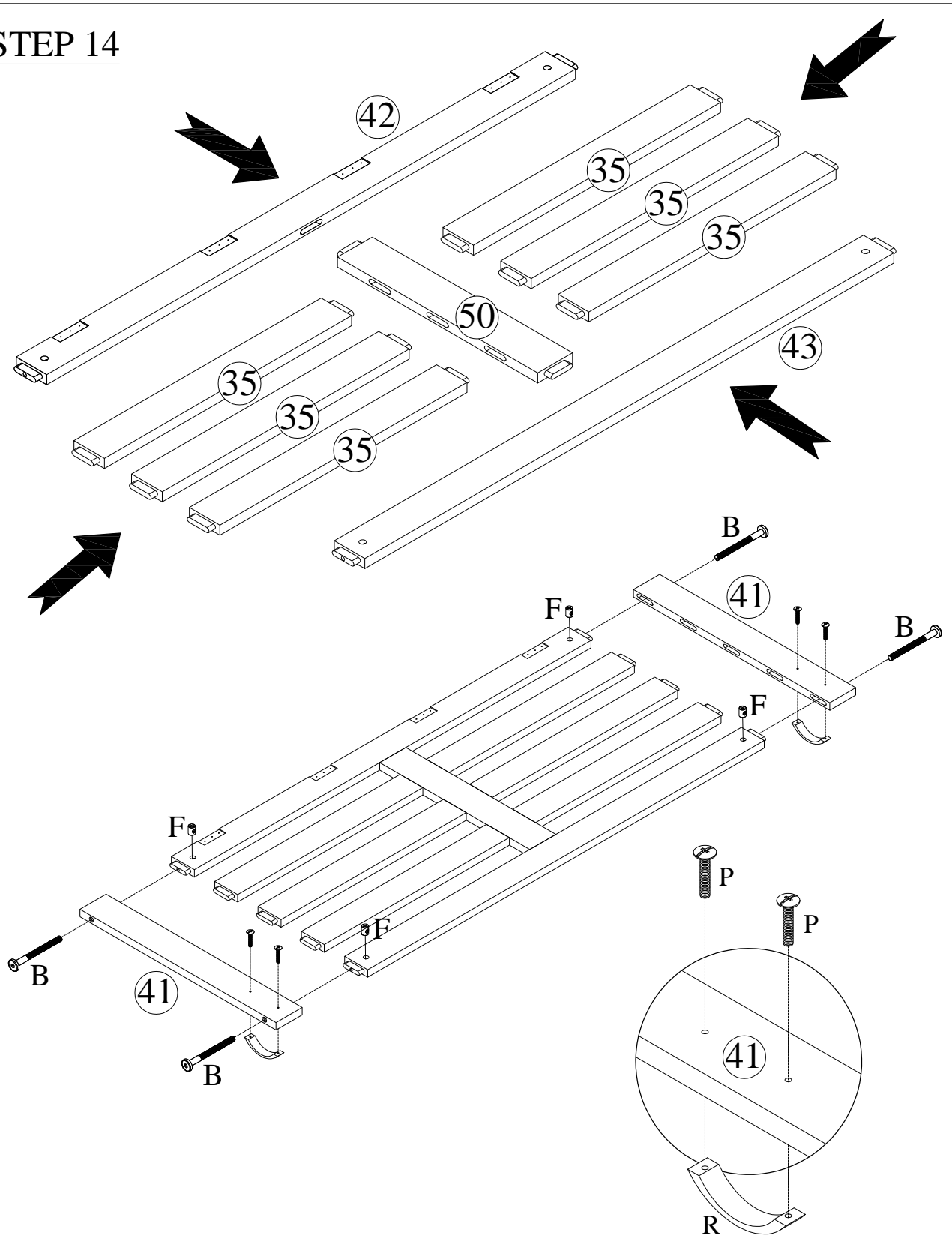






STEP 13

P	R
	
4	2

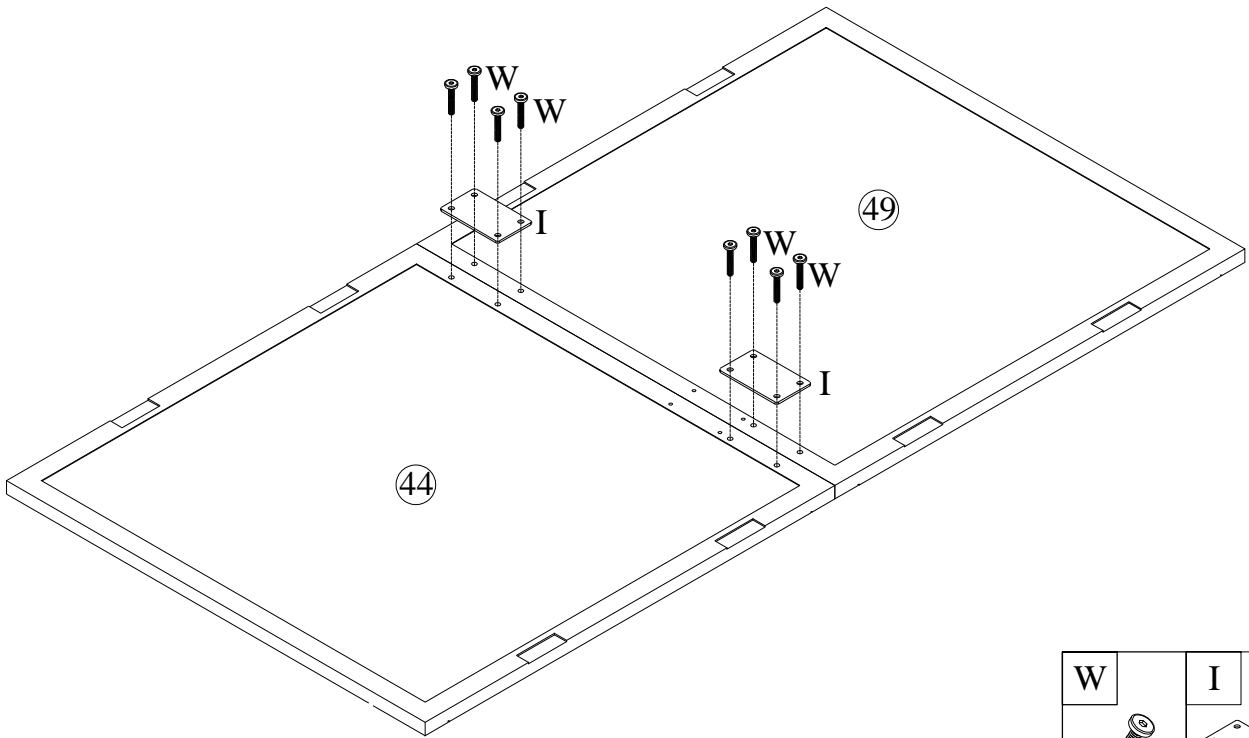



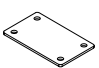
STEP 14



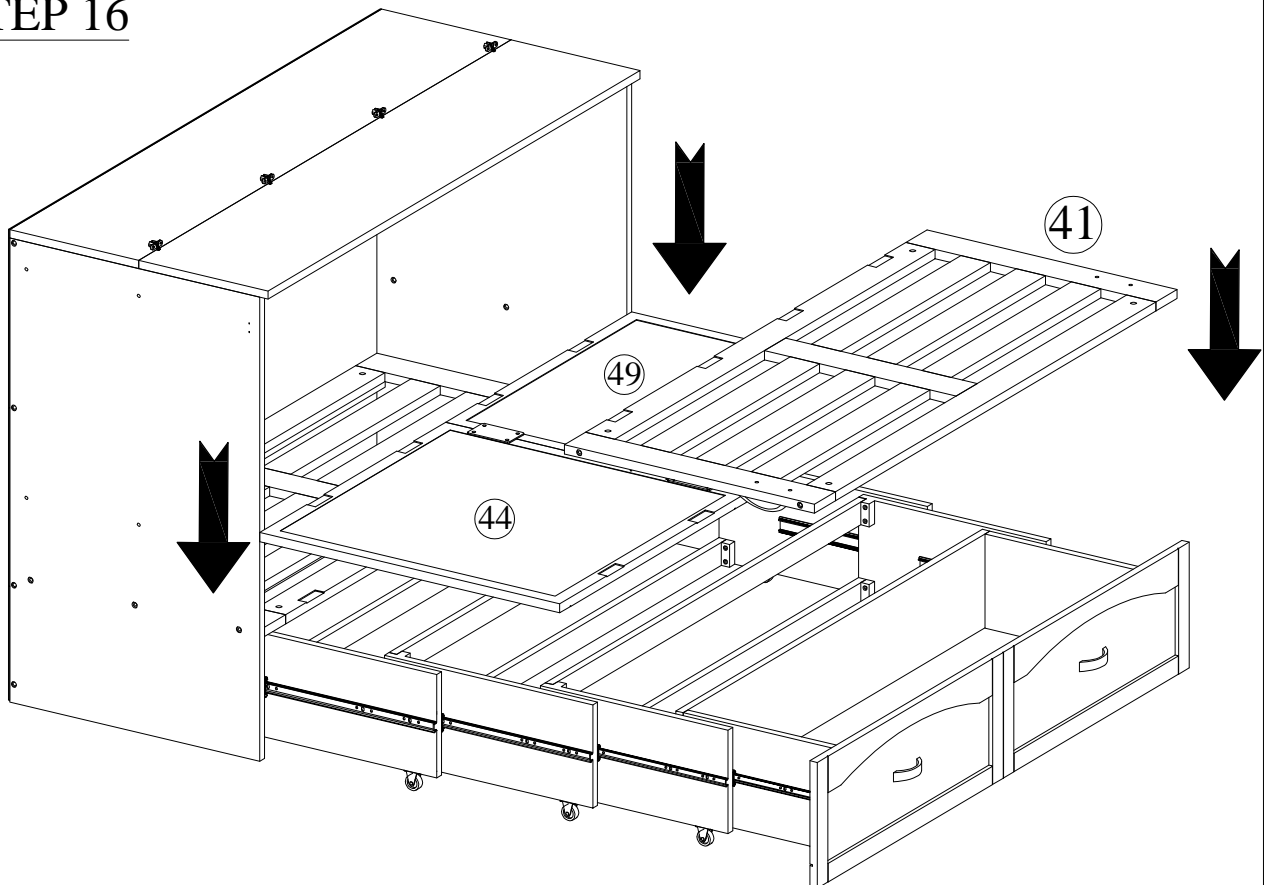
P	R	B	F
			
4	2	4	4

STEP 15

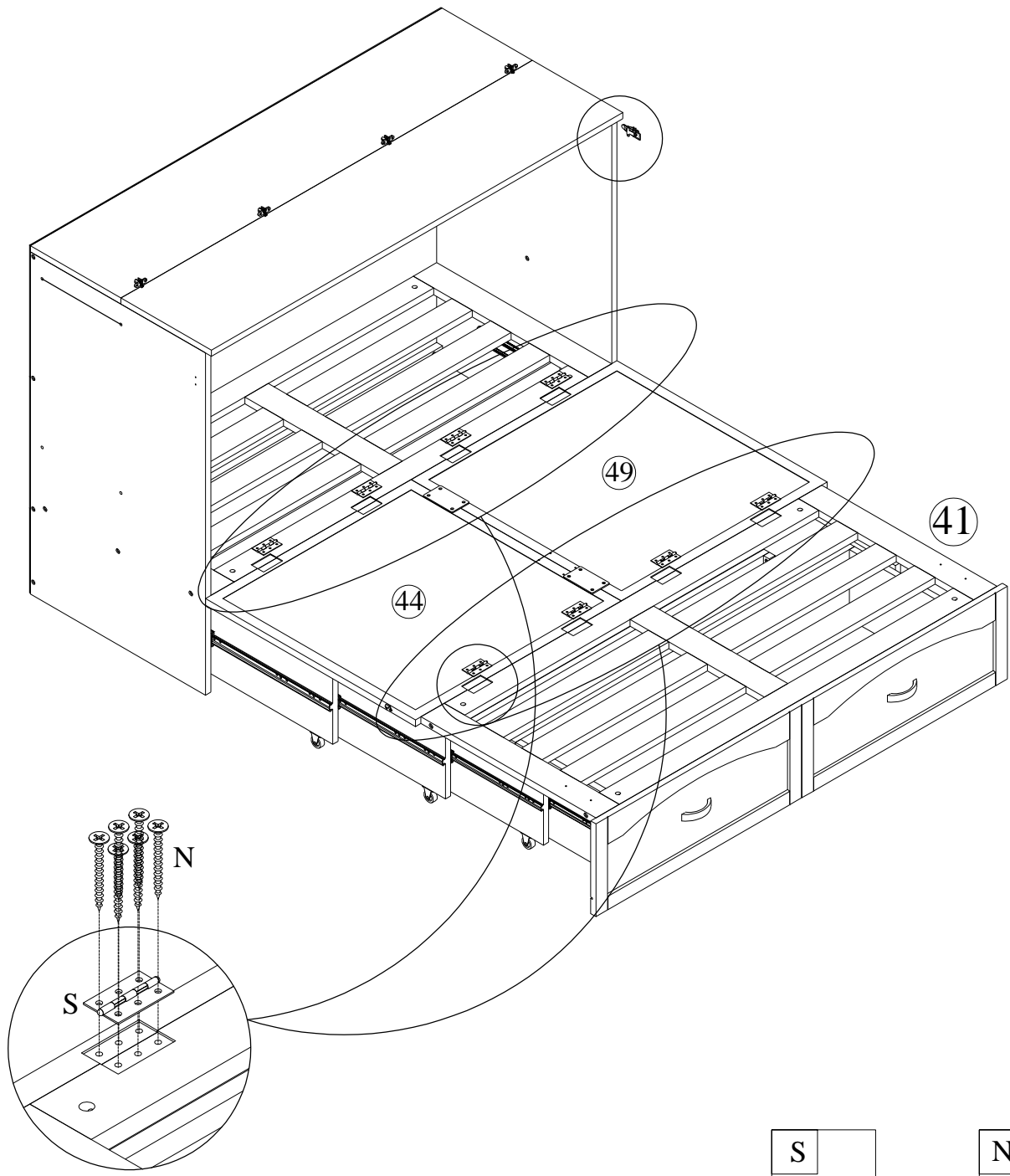


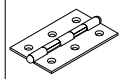
W	I
	
8	2


STEP 16



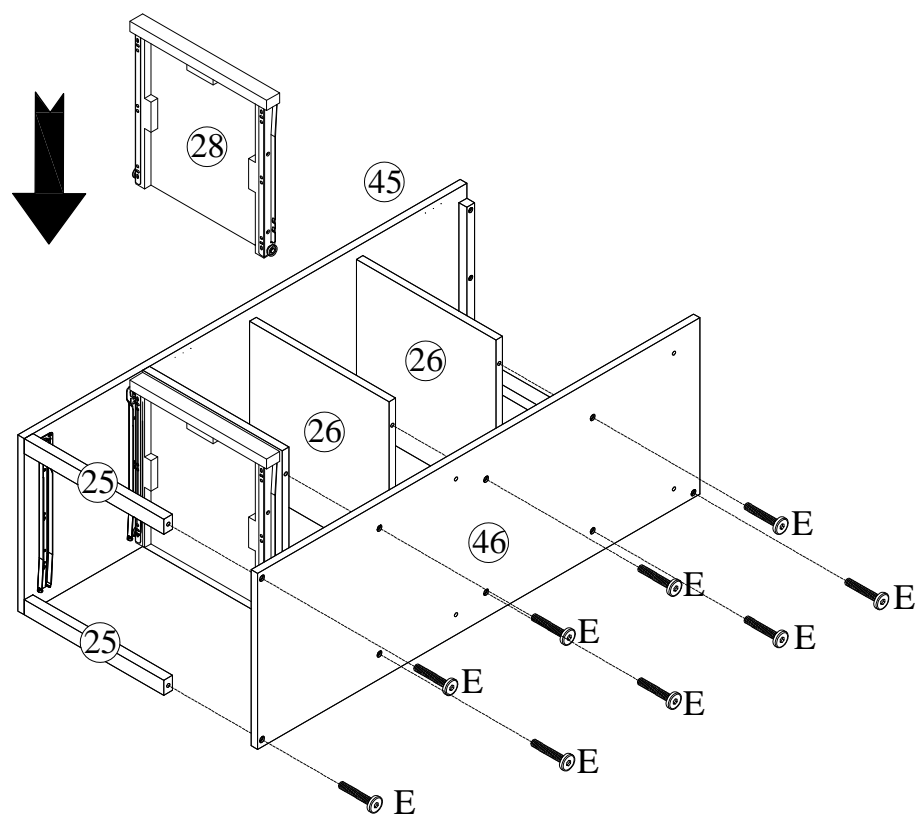
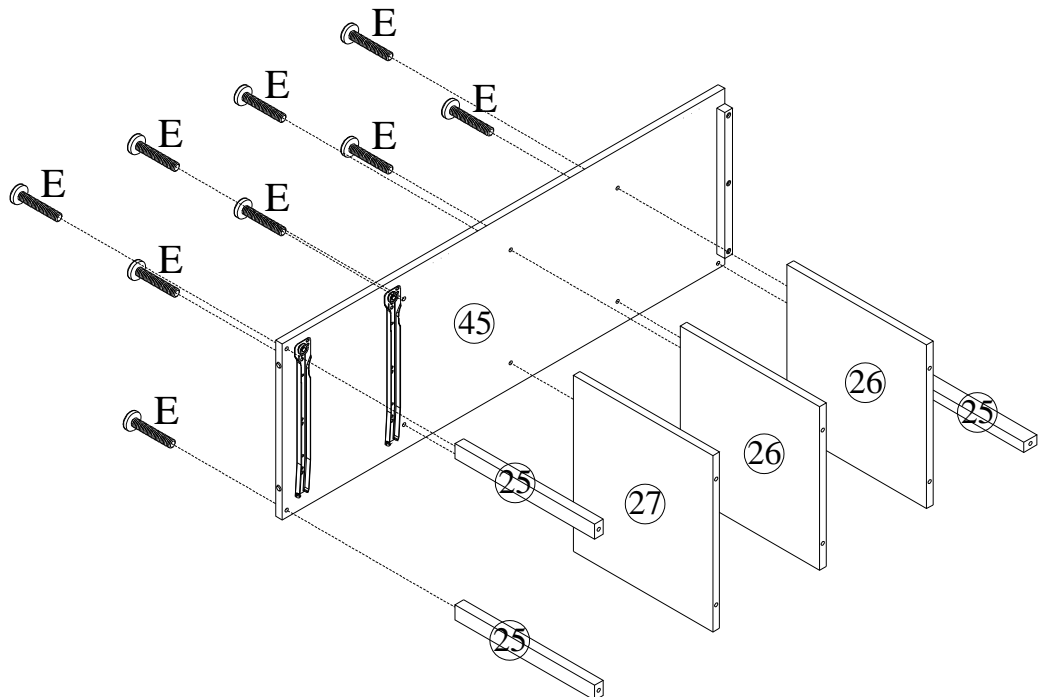
STEP 17




S

8

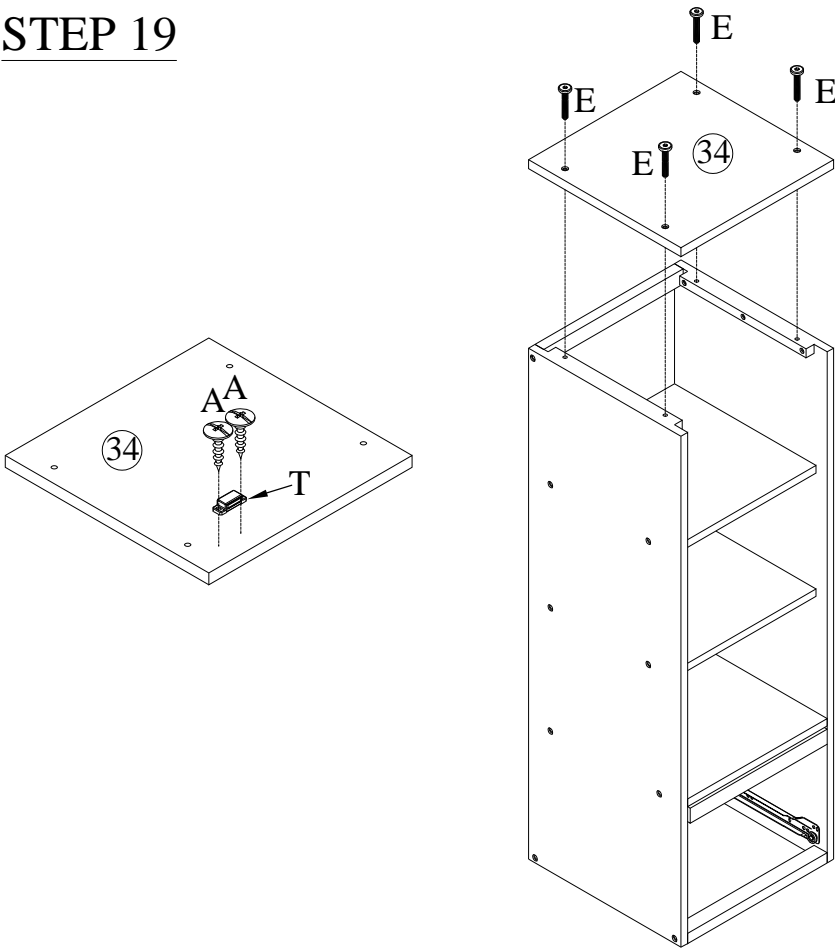
N

52




STEP 18



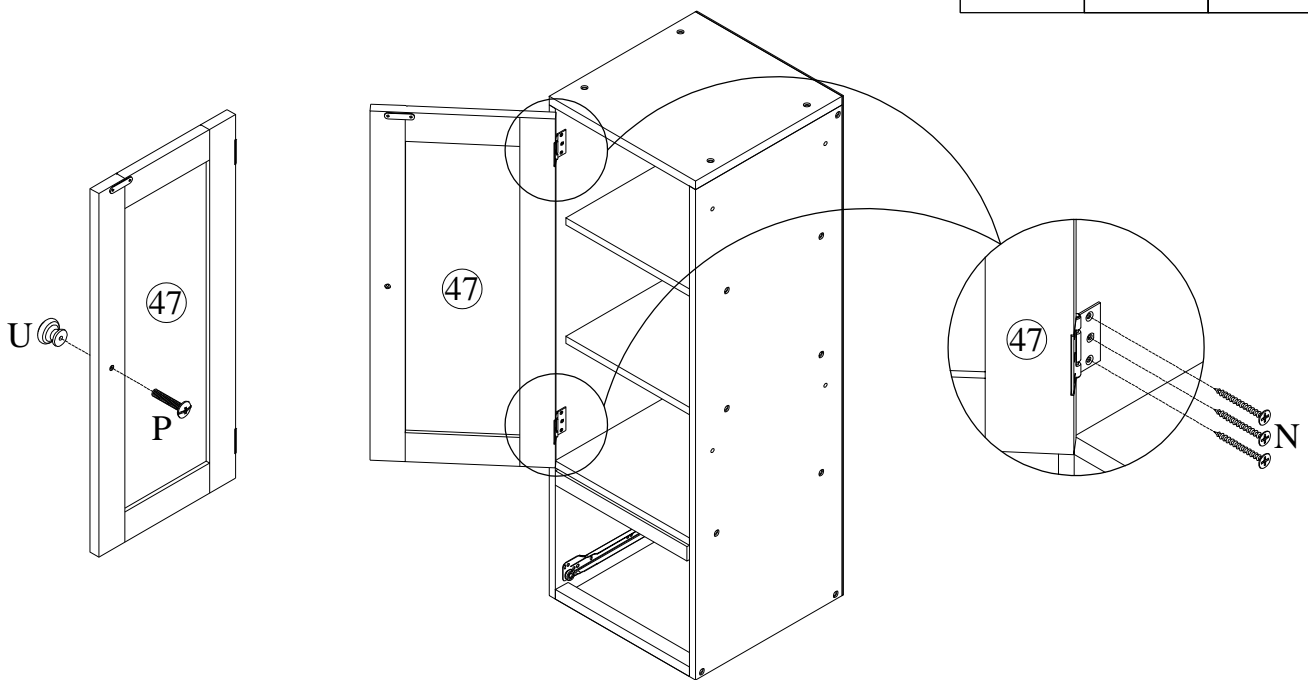
E

18




STEP 19



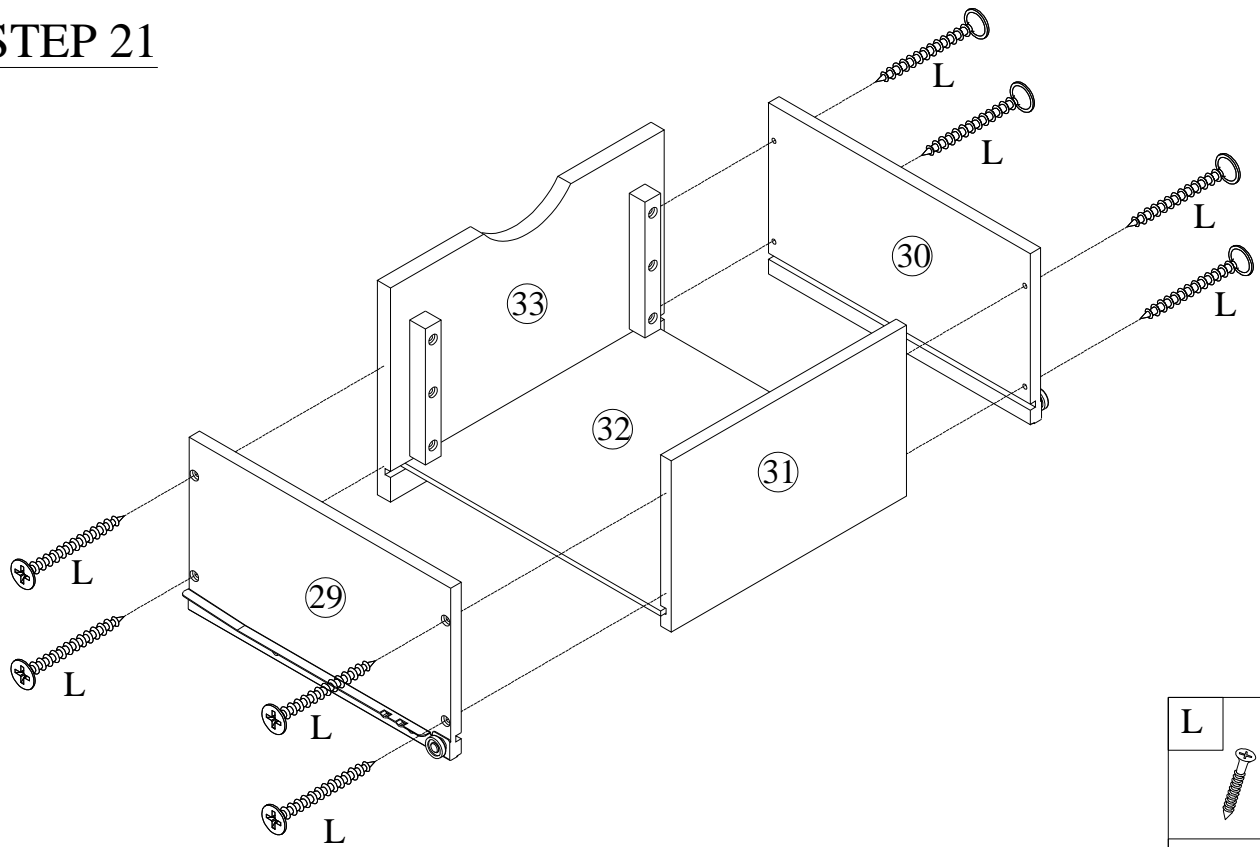
A	T	E
		
2	1	4


STEP 20



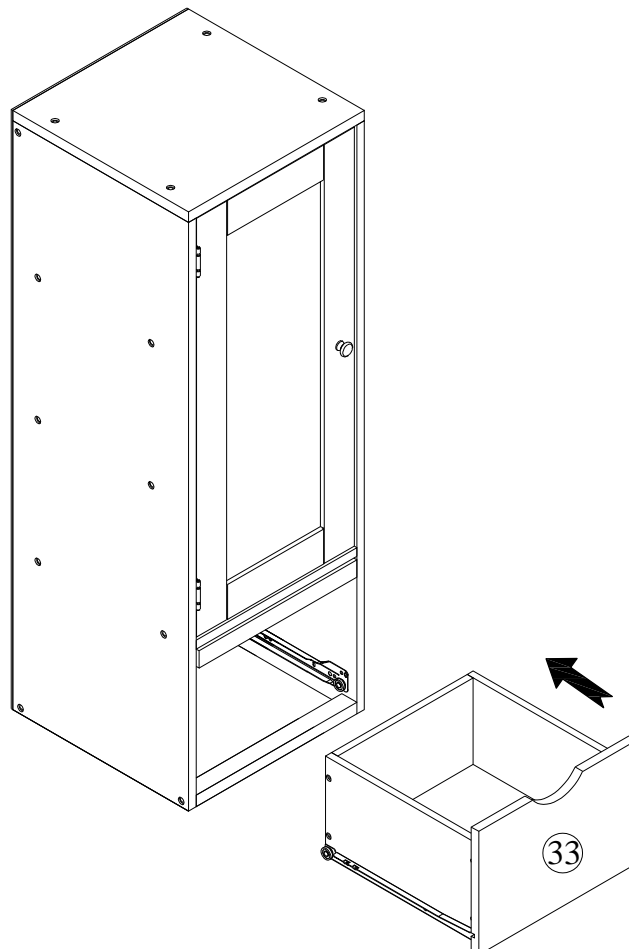
N	U	P
		
6	1	1

STEP 21



L

8

STEP 22

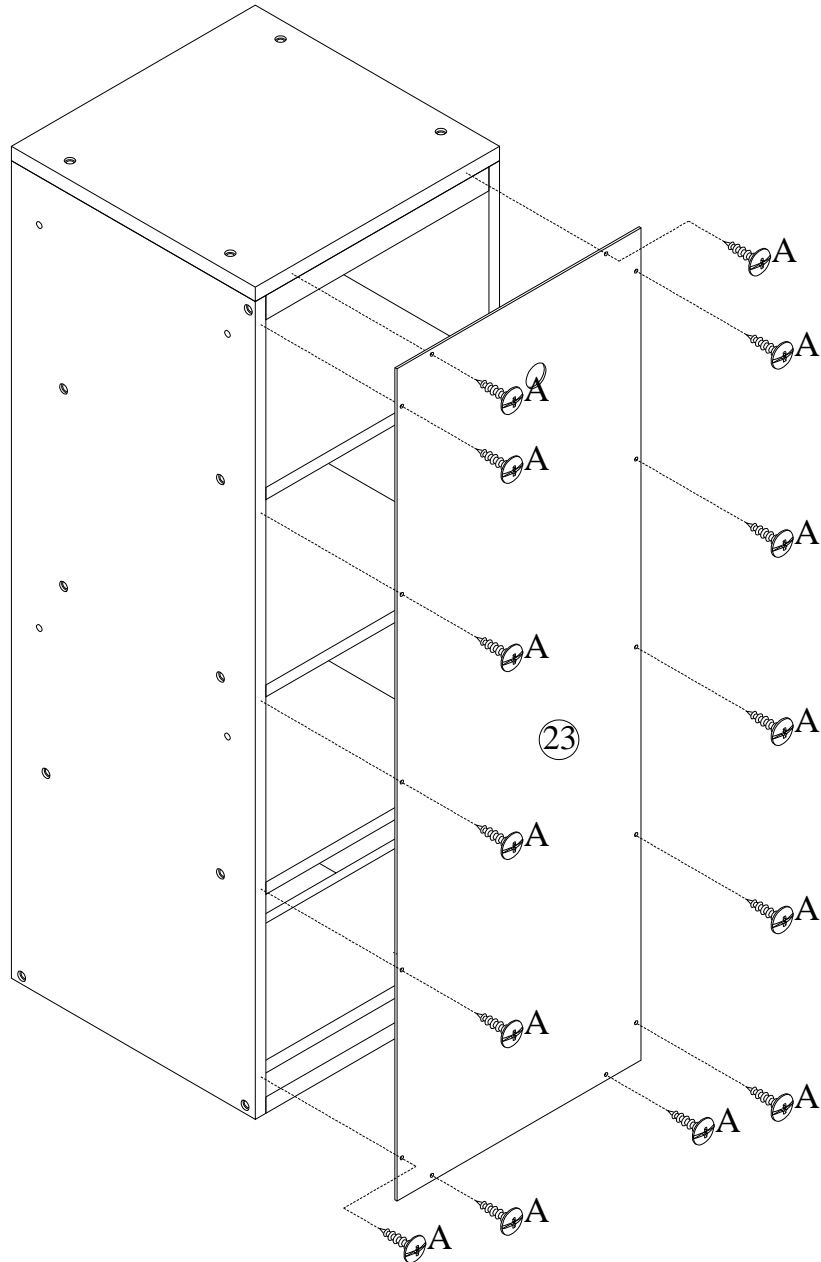


STEP 23

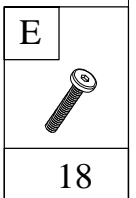
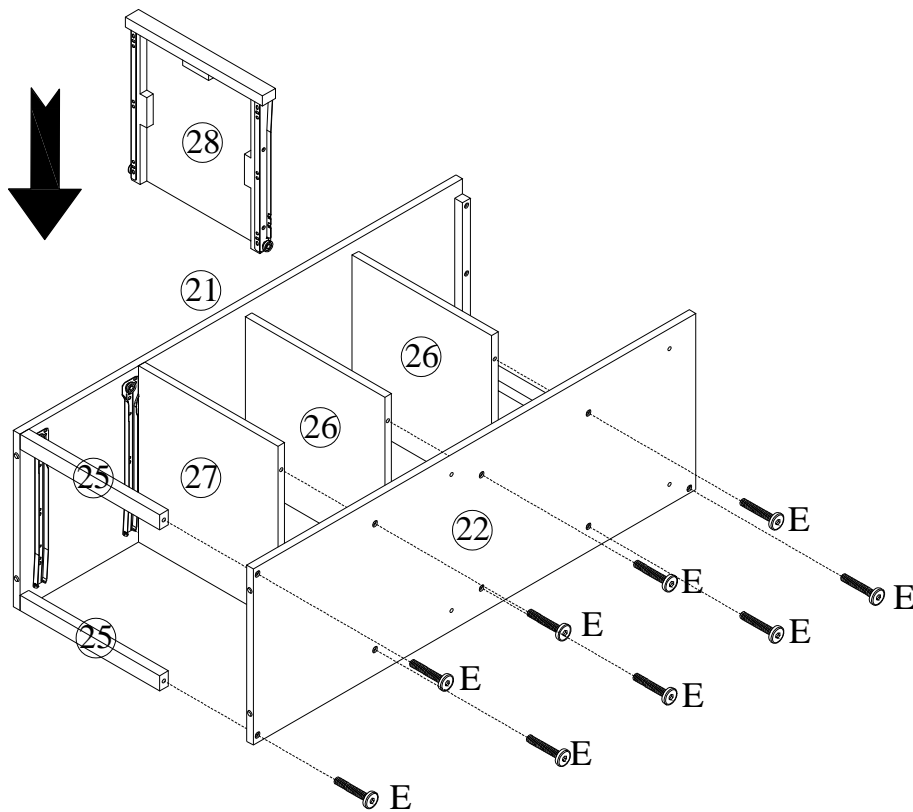
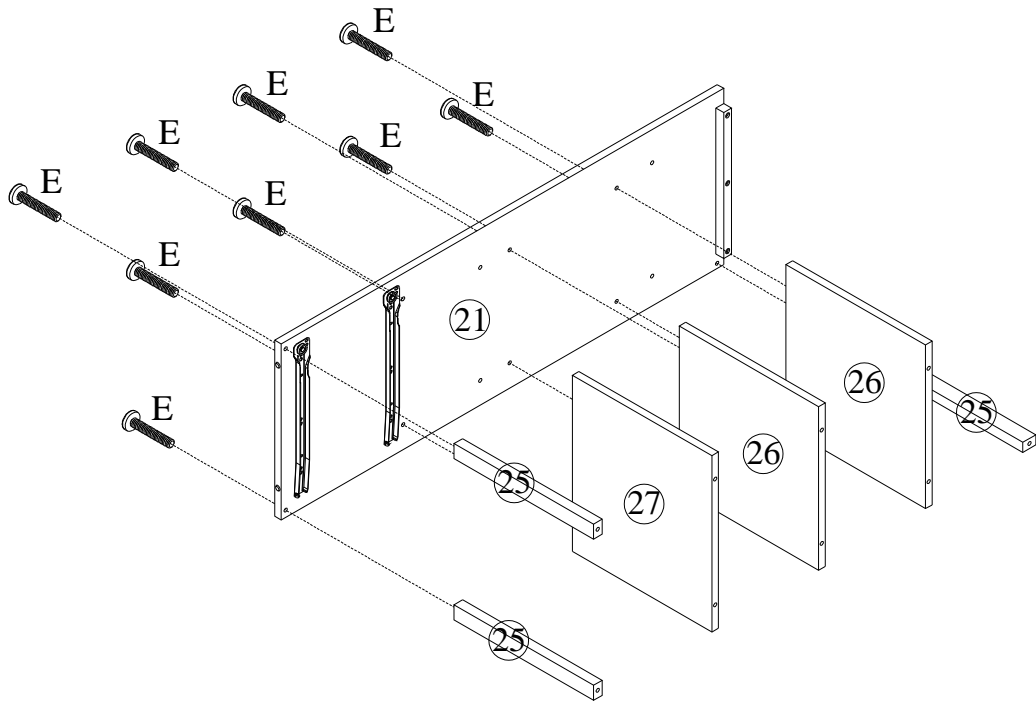
A



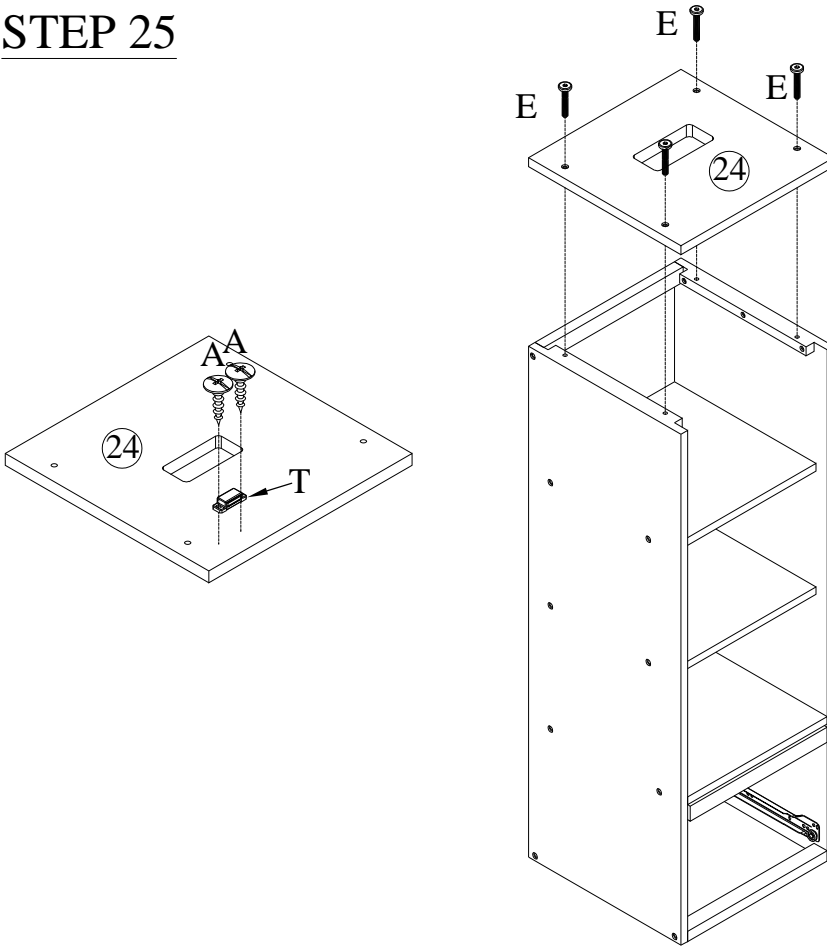
14






STEP 24

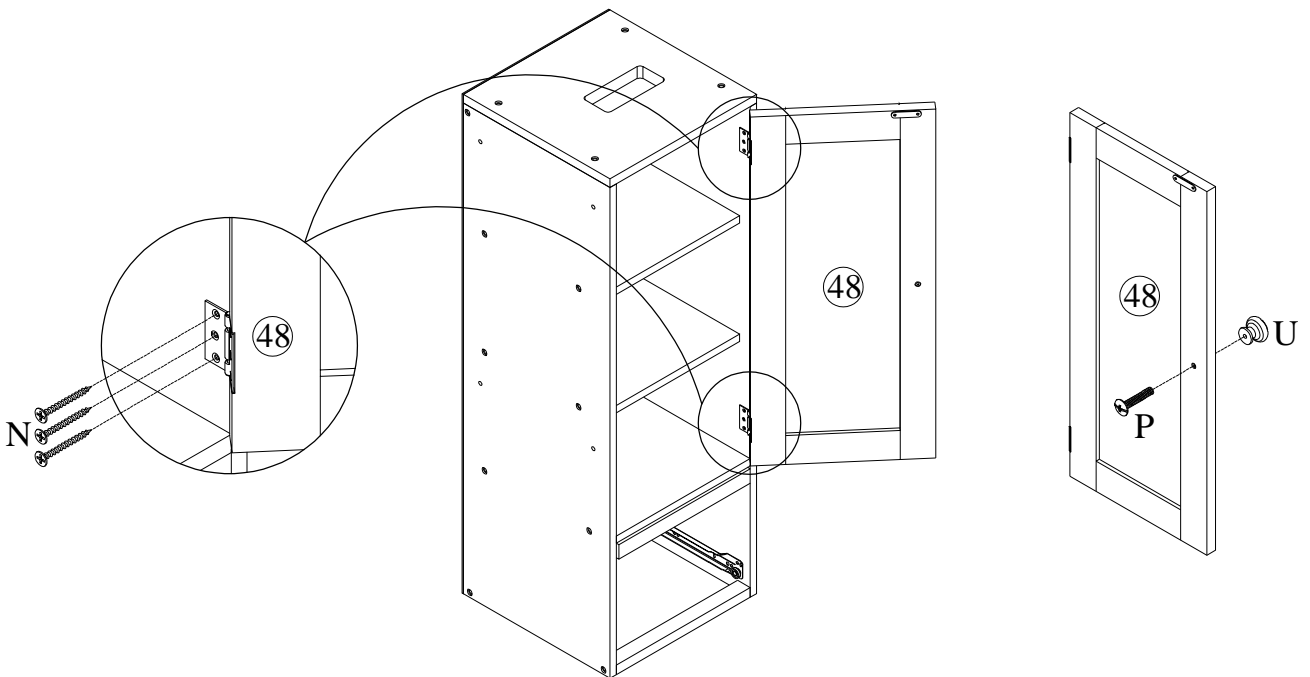





STEP 25



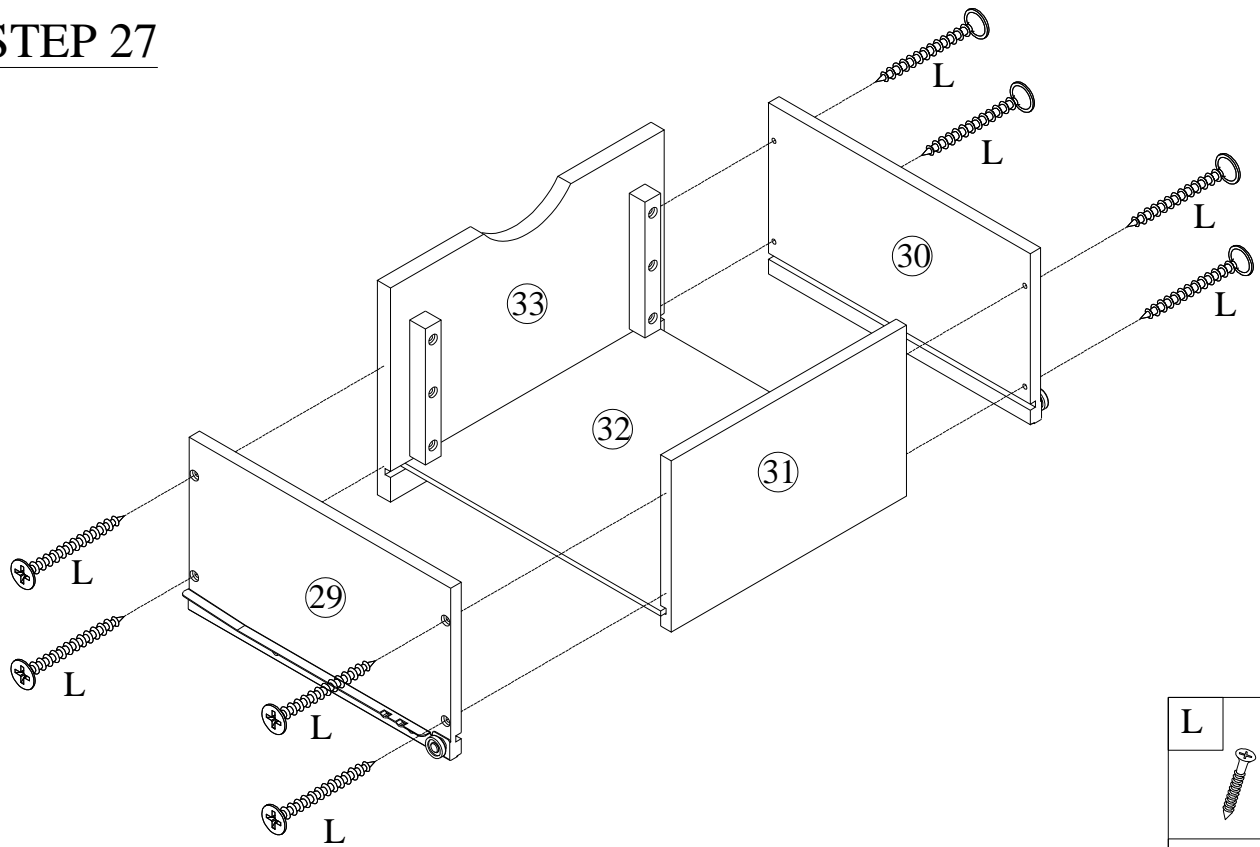
A	T	E
		
2	1	4

STEP 26

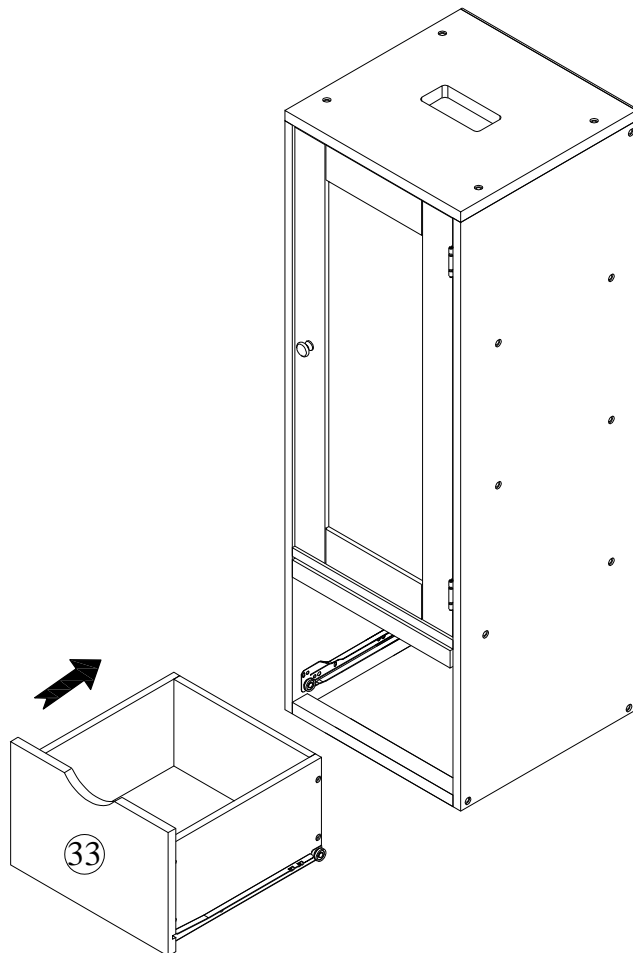


N	U	P
		
6	1	1

STEP 27



STEP 28

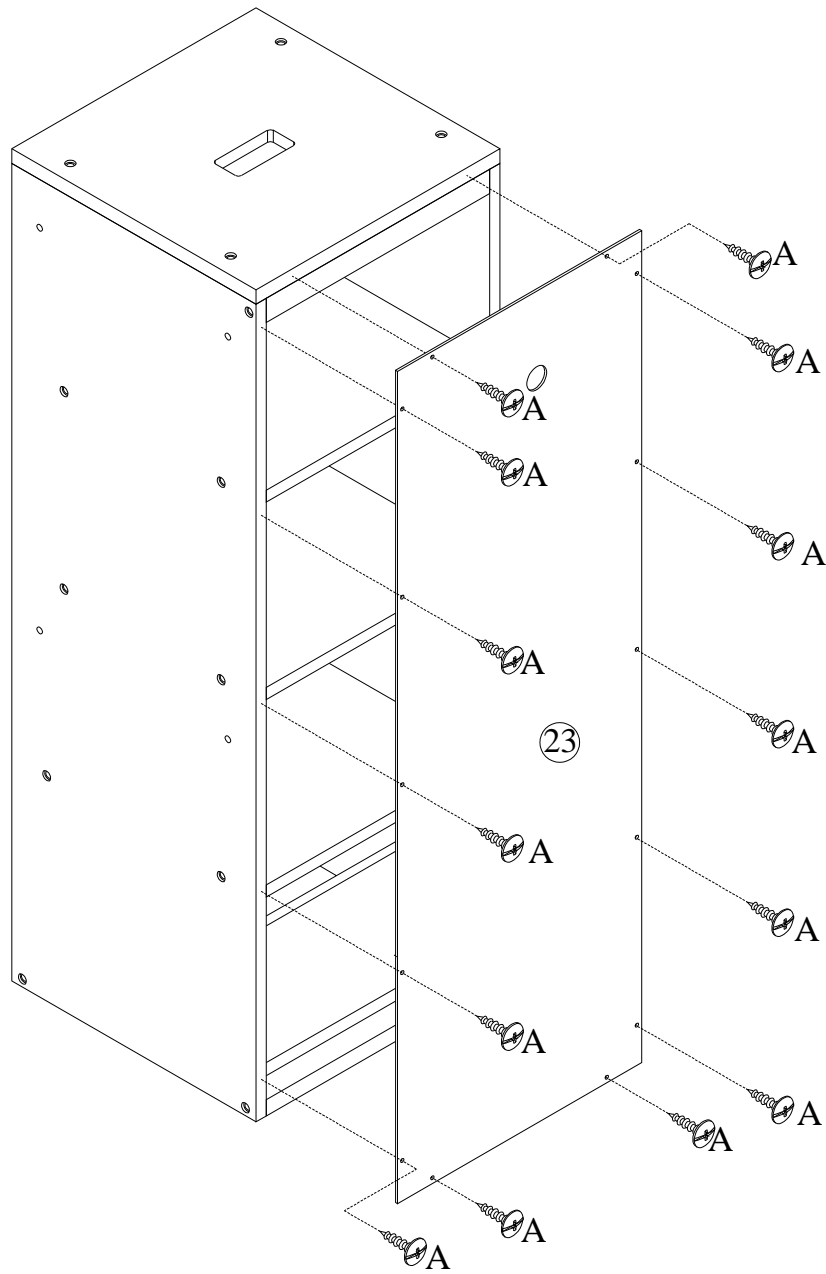


STEP 29



A

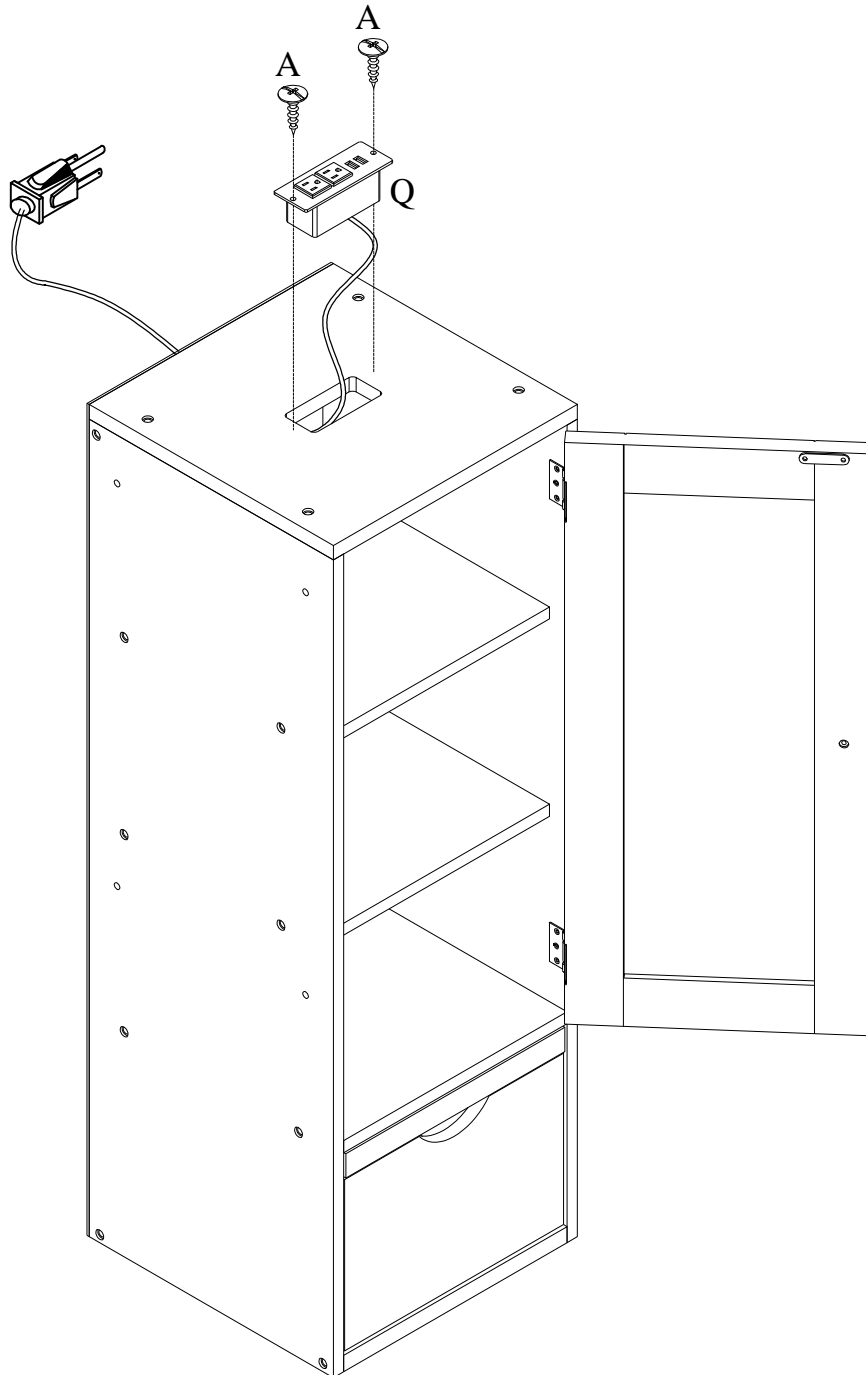


14




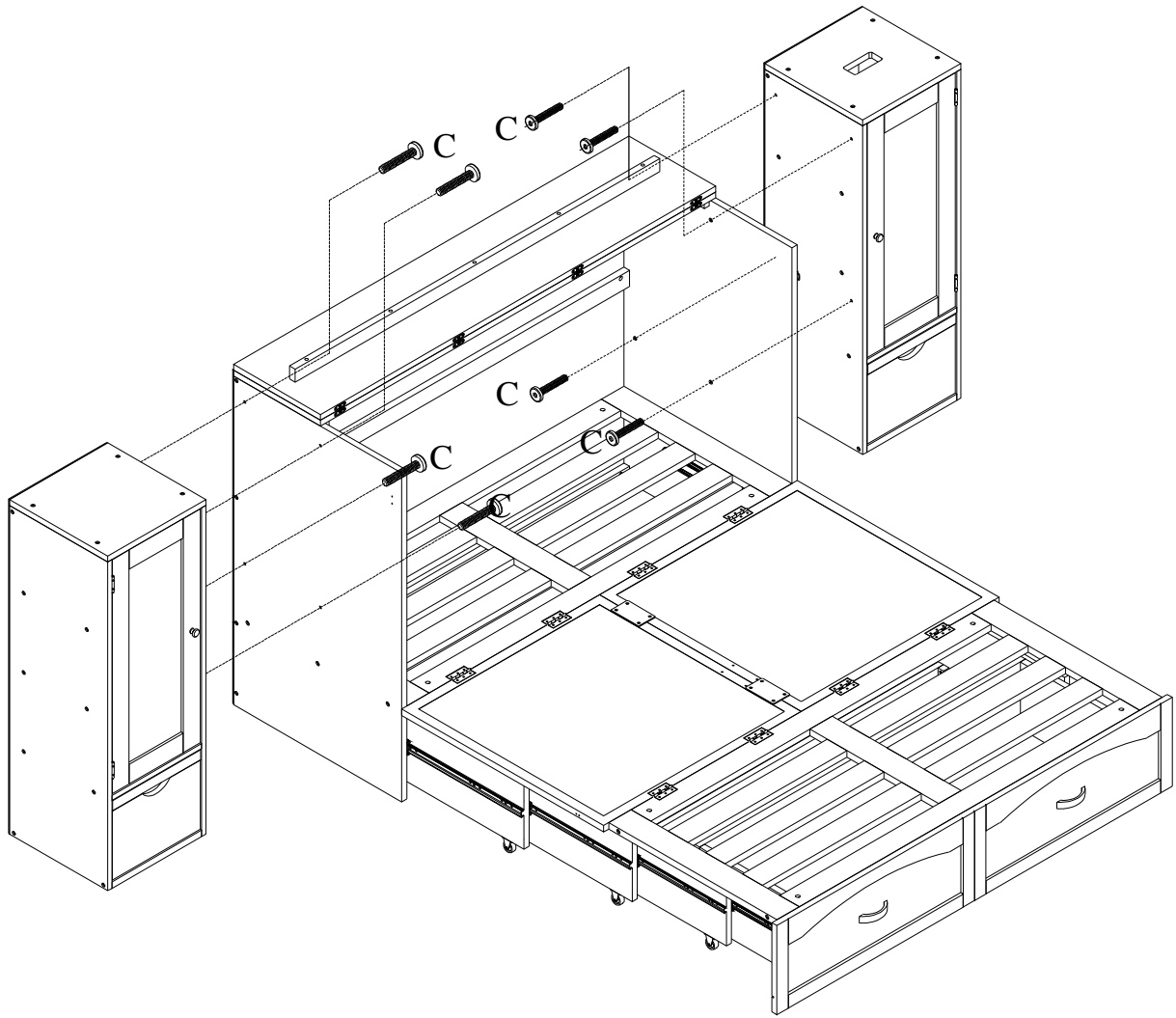
STEP 30

Q	A
	
1	2

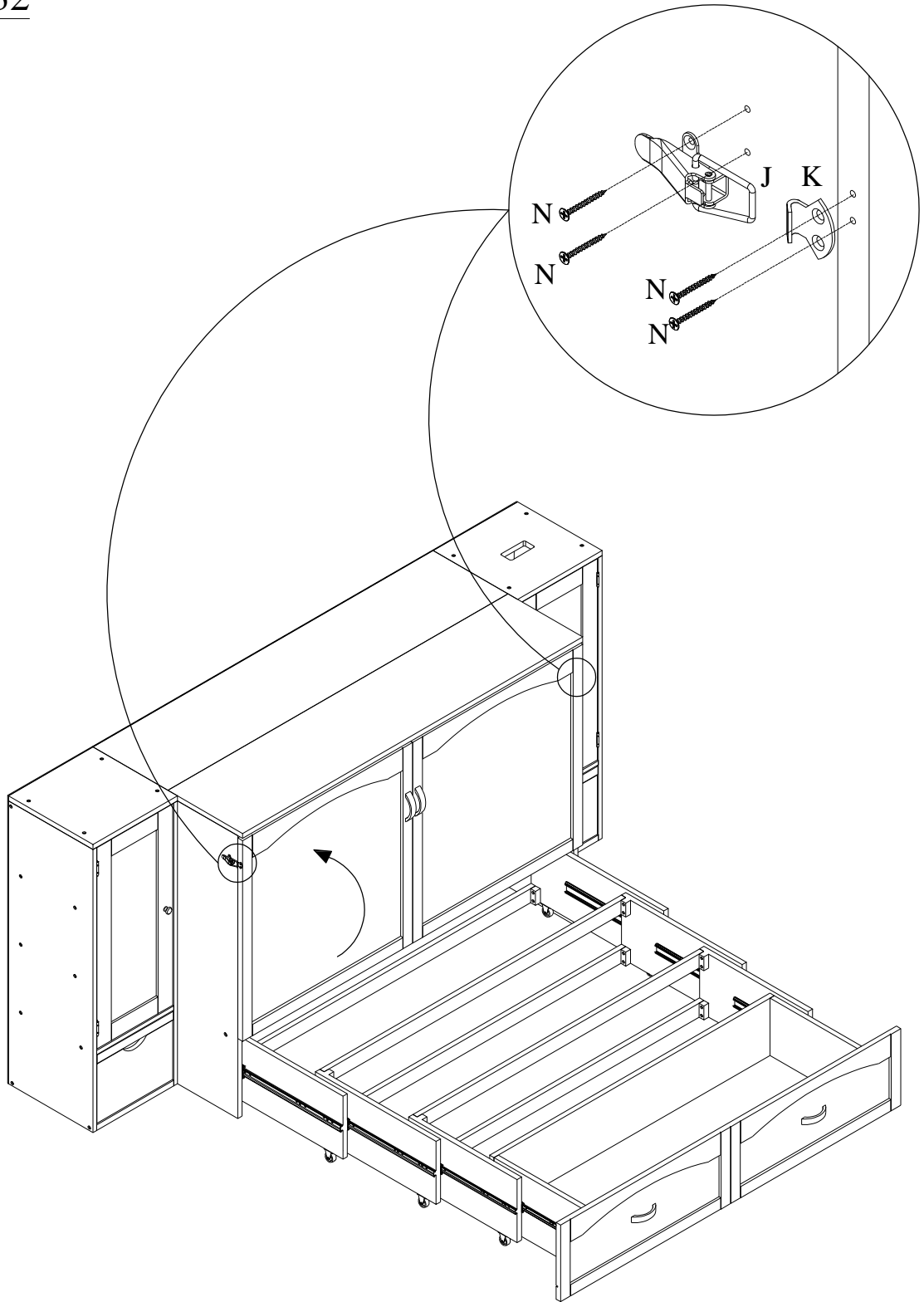


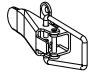


STEP 31

C

8

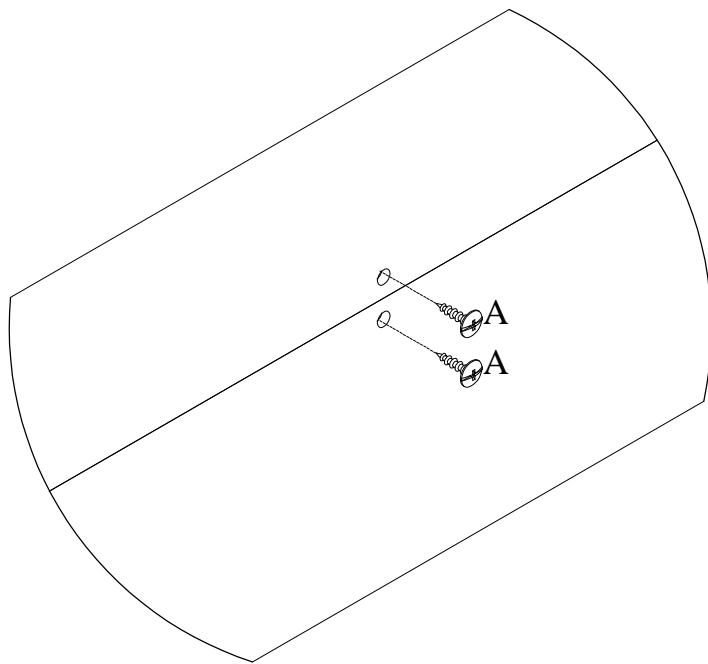
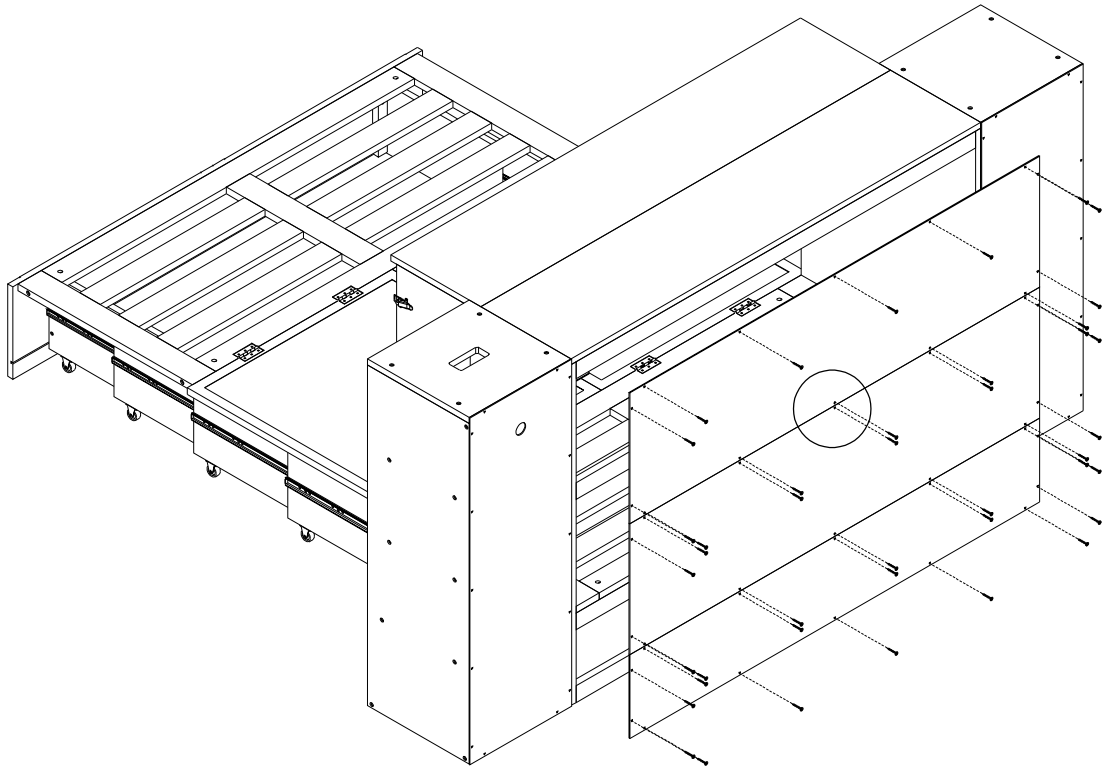



STEP 32



J	K	N
		
2	2	8

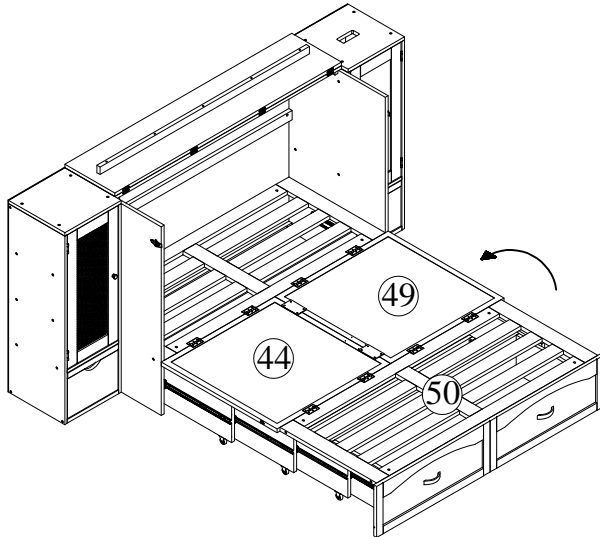
STEP 32



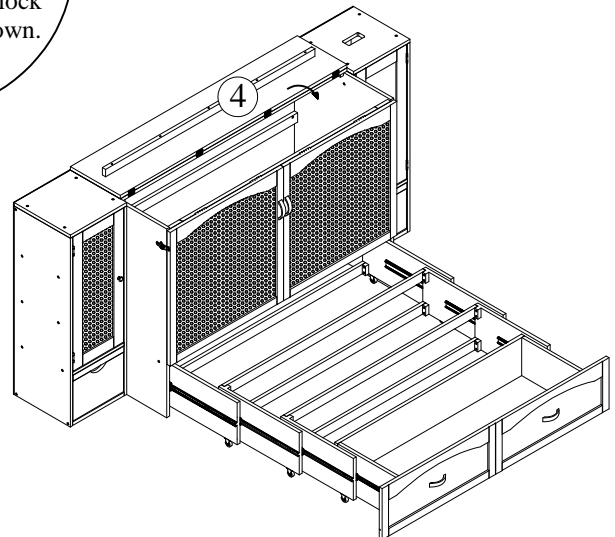
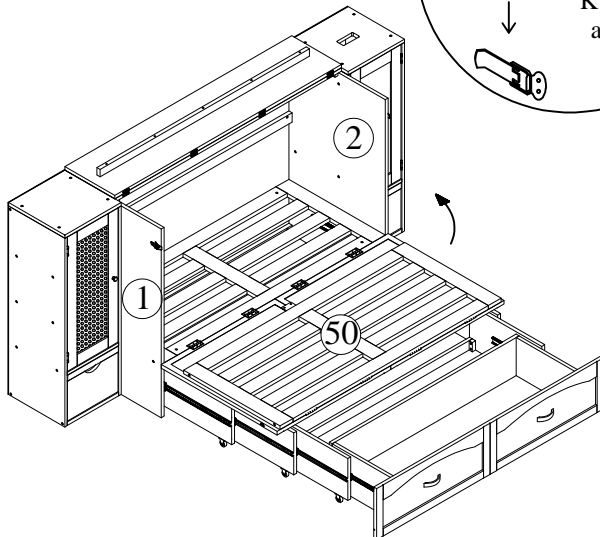
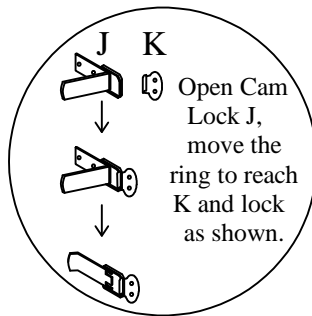
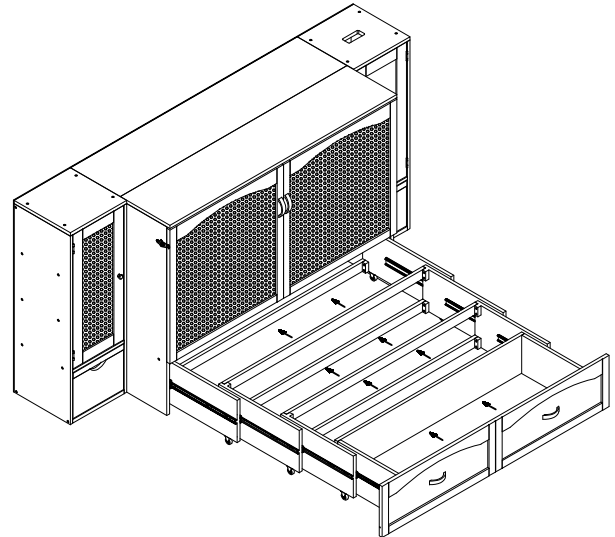
A

44

To keep the Murphy bed at it's minimal size, follow the steps below.

1. Fold up Support Panels (50)



4. Push Drawer and Extension Sides in.



2. Fold up Doors (44,49) and support panels (50) and lock cam lock on Side Panels (1,2).

3. Fold Top Panel(4)

To use the Murphy bed, PULL THE DRAWER OUT BEFORE PUTTING DOORS/PANELS DOWN. Failing to do so will cause damages to the furniture.