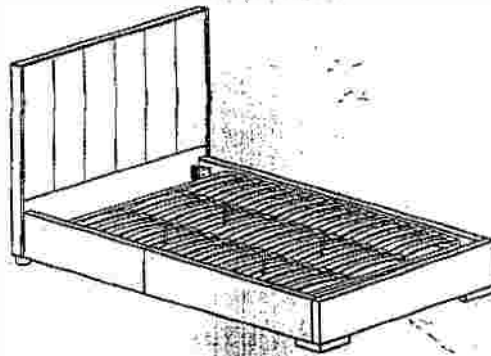
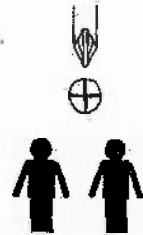


ASSEMBLY INSTRUCTIONS



Tools Needed
2 person build



BED FITTINGS

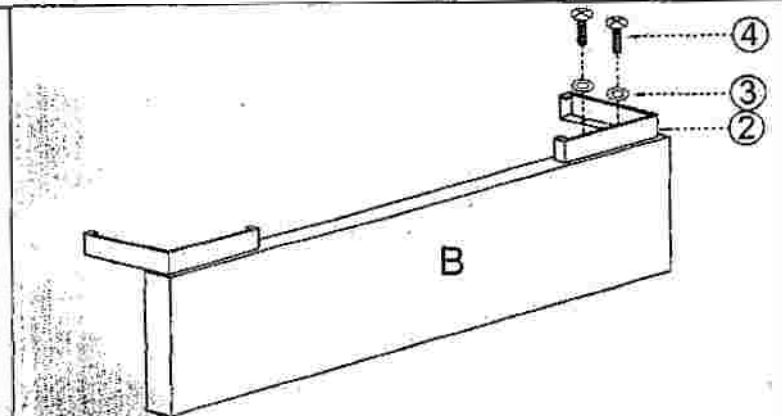
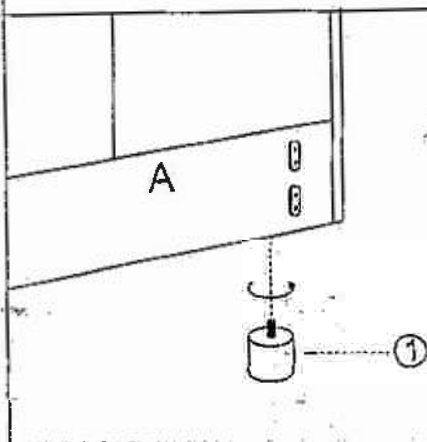
Feet	Feet	Washers (m8*19)	Bolts (m8*25)	Gold Bolt (m8*18)
① X 2	② X 2	③ X 8	④ X 20	⑤ X 12
Allen Key (M5)	Felt Pads	Brackets	Plastic Support legs	
⑥ X 1	⑦ X 6	⑧ X 6	⑨ X 4	

PART LIST

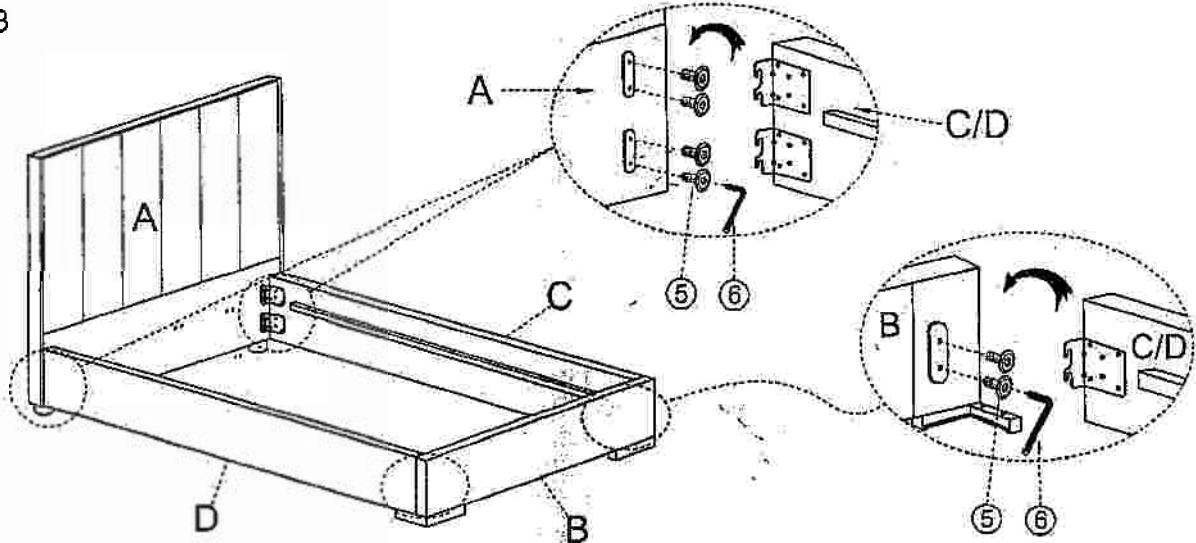
Headboard	Footboard	Right Side Rail
A X 1	B X 1	C X 1
Left Side Rail	Slat Frame	
D X 1	E X 1	

Step 1

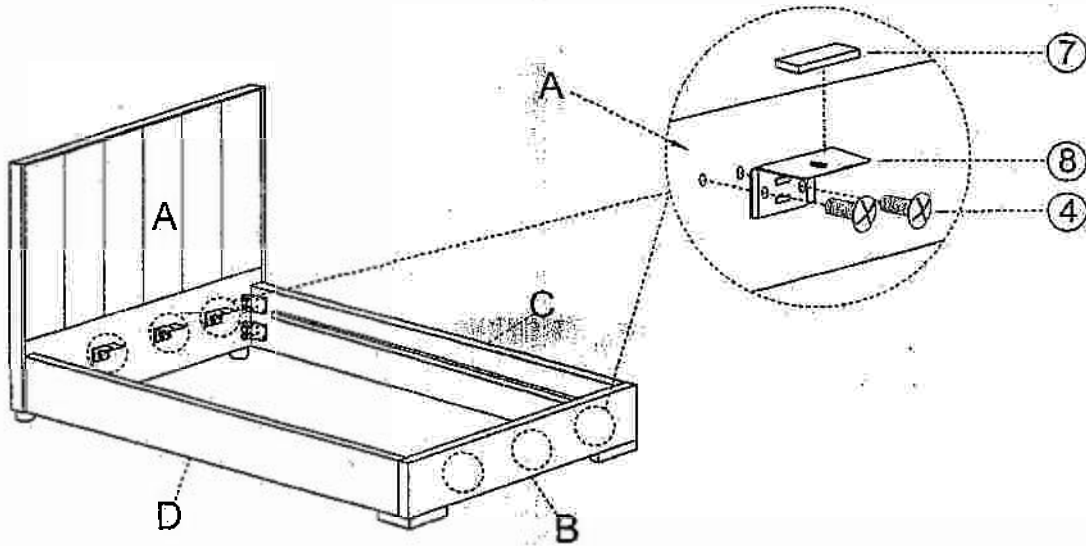
Step 2



Step 3



Step 4



Step 5

