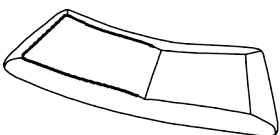
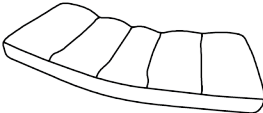
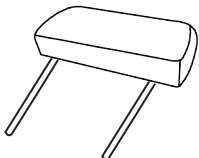
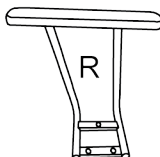
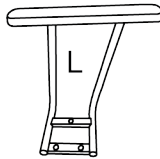
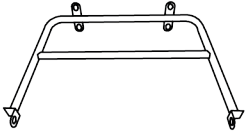
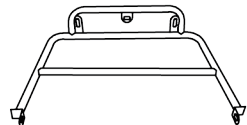
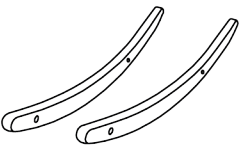

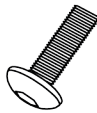

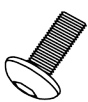
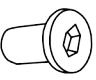



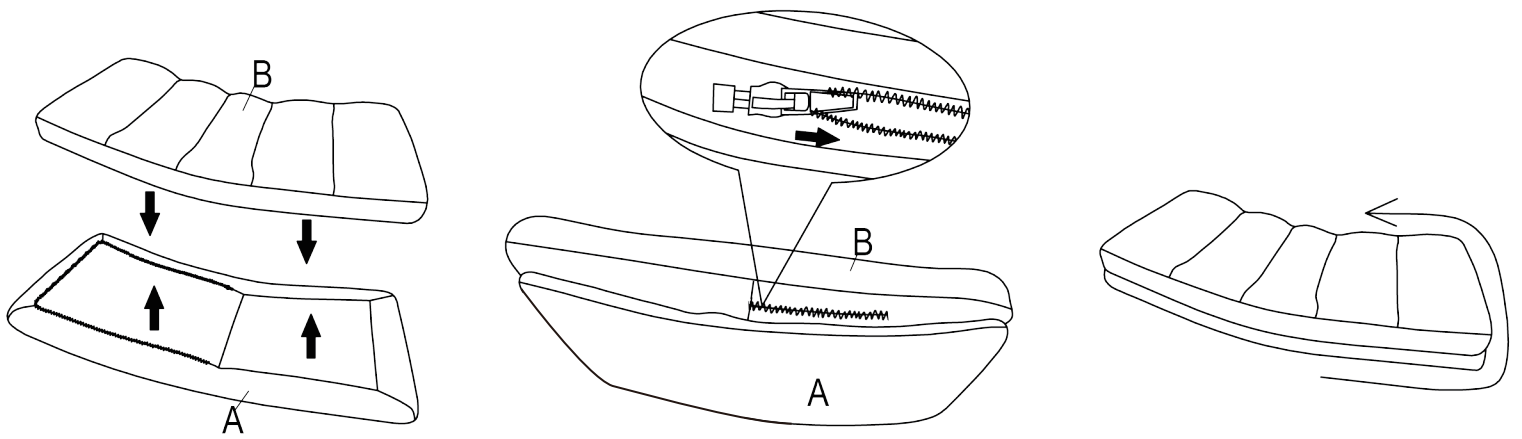


ASSEMBLY INSTRUCTIONS

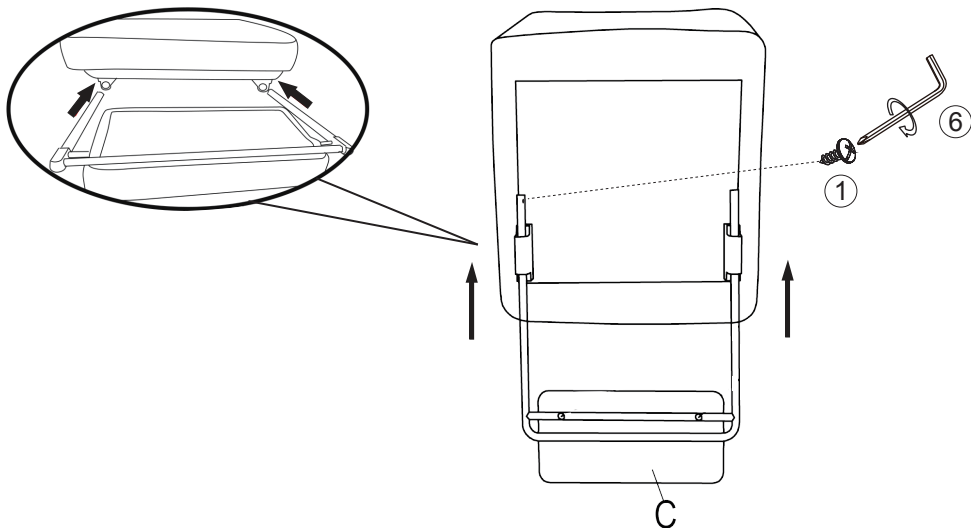
<p>Ax1</p> 	<p>Bx1</p> 	<p>Cx1</p> 	<p>Dx1</p> 	<p>Ex1</p> 	
<p>Fx1</p> 	<p>Gx1</p> 	<p>Hx2</p> 	<p>①x1</p>  <p>M5x16mm</p>	<p>②x6</p>  <p>M6x25mm</p>	
<p>③x7</p>  <p>M6x16mm</p>	<p>④x4</p>  <p>M6x18mm</p>	<p>⑤x4</p> 	<p>⑥x1</p>  <p>M6</p>	<p>⑦x1</p>  <p>M4</p>	<p>⑧x4</p> 

1



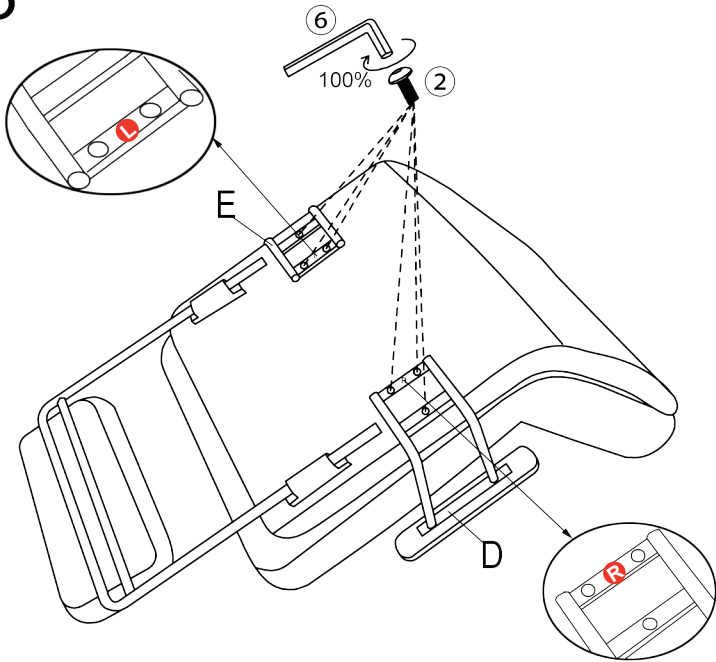
Zip up this seat zipper and bottom zipper

2



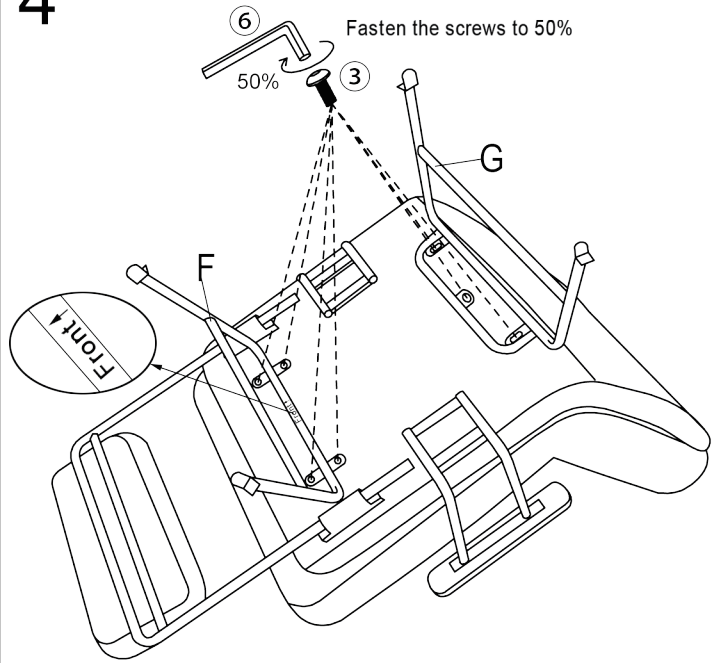
3

Fasten the screws to 100%



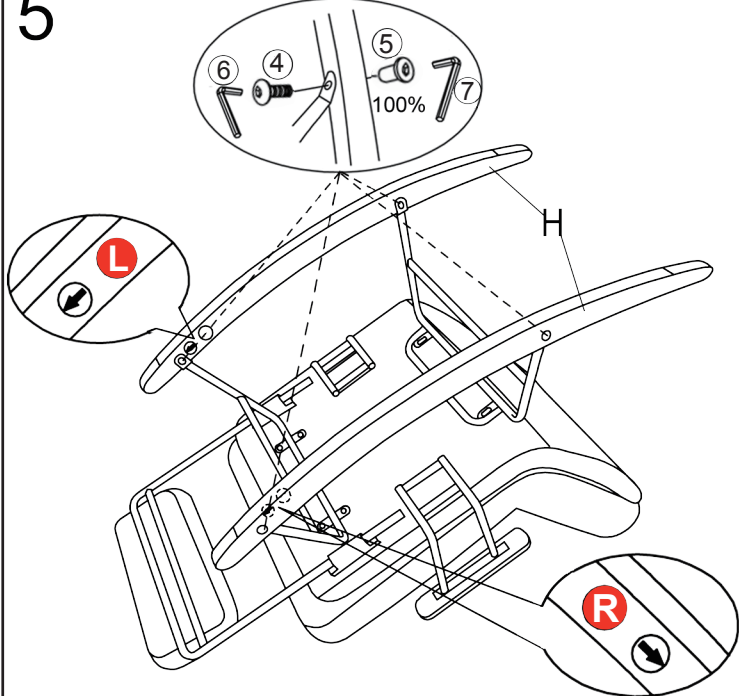
4

Fasten the screws to 50%



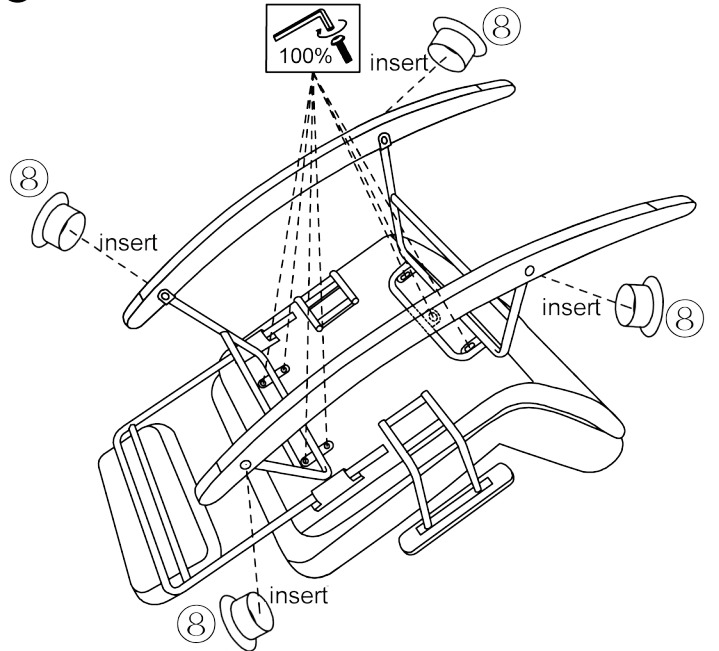
5

Fasten the screws to 100%

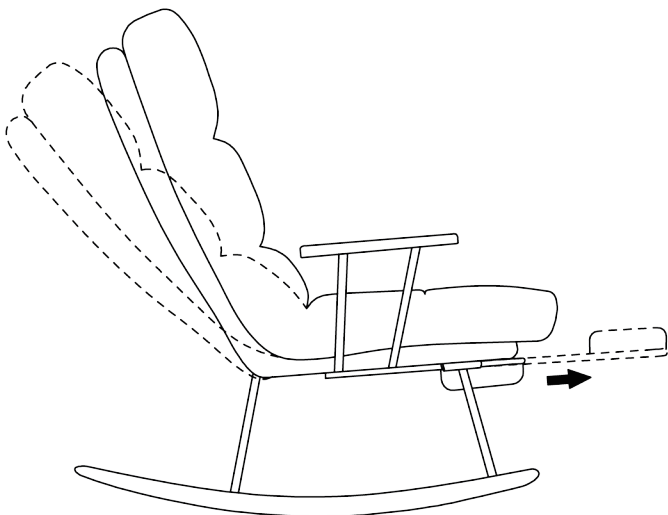


6

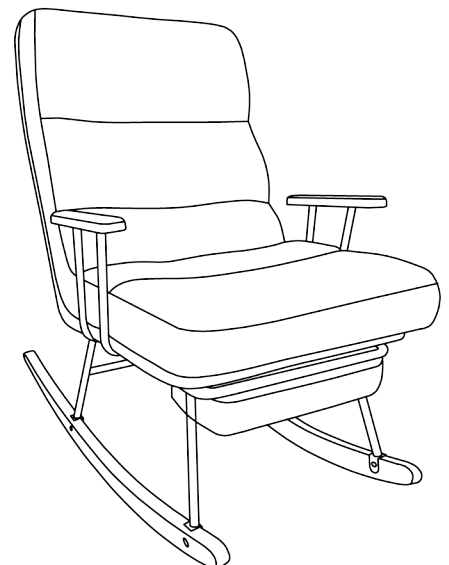
Fasten the screws to 100%



7



8



Tips: Don't 100% tighten the screws before all screws are in right position