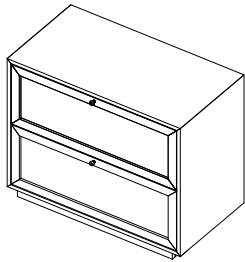


ASSEMBLY INSTRUCTION

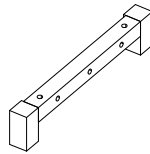
MODEL:

NIGHTSTAND






① Nightstand Body (1pc)

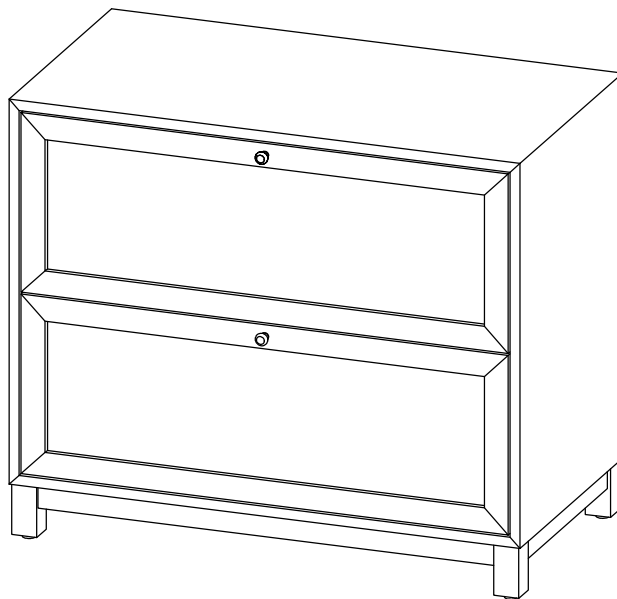


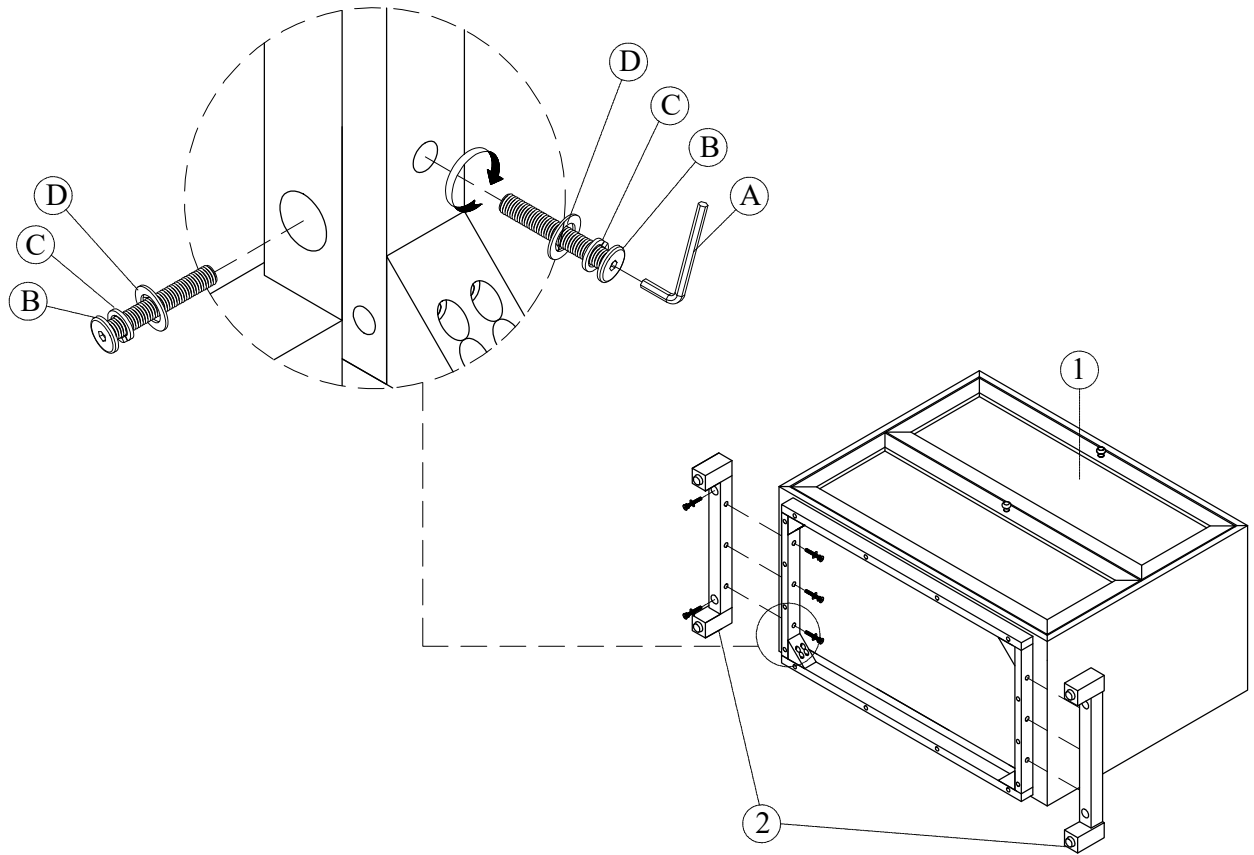
② Legs (2pcs)



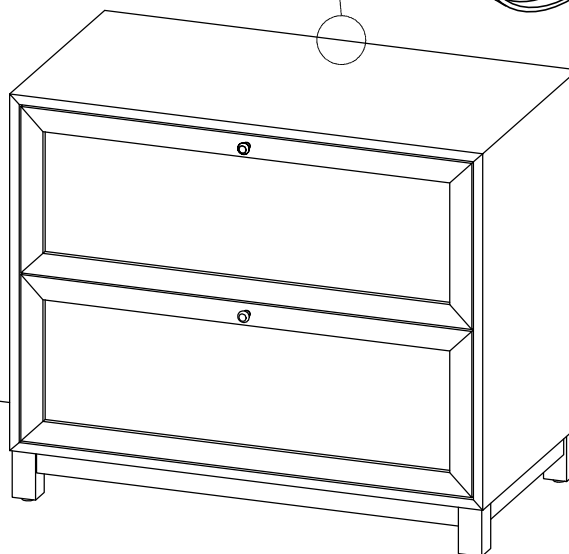
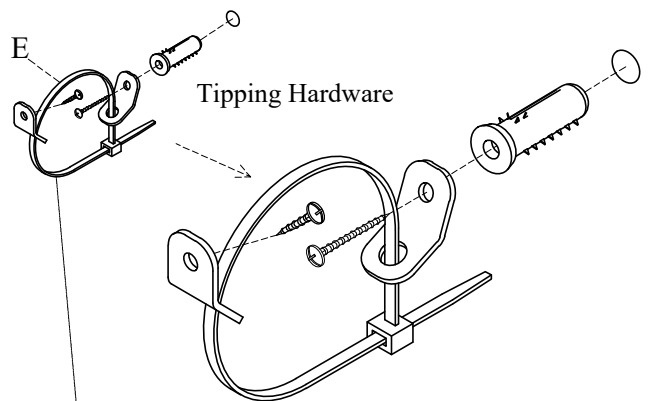
HARDWARE CHECK LIST

No	Shape	Specification	Q.ty
A		Allen Key 4	01 Pc
B		Allen Head Bolts M8 x 45 mm	10 Pcs
C		Lock Washer Ø8 mm	10 Pcs
D		Washer Ø8 x Ø 19 mm	10 Pcs
E		Tilt kit bracket	01 Pc





REMARK: There is a tip restraint kit provided on the back of this product please read the direction thoroughly and install immediately



WALL



ADJUST LEVELER FOR BALANCE