

SWEETWOOD EDGE DOLLHOUSE PINK

TINY LAND®

ASSEMBLY INSTRUCTIONS

3 YEARS+



PLEASE READ FIRST

WARNINGS

- Do not over-tighten screws when assembling.
- When assembling a part using several screws, please align them with the corresponding holes and gently tighten them first. Ensure that all screws are properly aligned and secured and then proceed to gradually tighten each one.
- Laying out all accessories on a hard, flat, and level surface for installation.
- Please follow the instructions step-by-step.
- Assembly requires two adults.

PARENTAL SUPERVISION REQUIRED

- This toy is intended for children aged above 3.
- Parents should supervise the play area so that children younger than the intended age range do not interact with this toy.
- Use this toy on a hard, flat, and level surface.
- Do not allow children to pull, climb, sit, or stand on any part of the play product.

CLEANING INSTRUCTIONS

- Clean the surface using a slightly damp cloth and mild dish washing liquid if necessary.
- Don't use any cleaning product containing alcohol or ammonia, which may dull the surface of the product.

SOLE AND LIMITED WARRANTY

- This product includes a 90-day warranty from the date of receipt, covering any non-man-made damages. For any issues or concerns within this period that are not due to misuse or accidental damage, please reach out to our customer service team for support.
- If you find it difficult to assemble the toy or have any other problems with the product, please contact us via email at **customer_care@tinylandus.com**. We will do our best to resolve your problem and provide a solution to your satisfaction.

NAME OF MANUFACTURER: TINY LAND

LOCATION OF PRODUCTION: No.3387 Shendu Road, Shanghai, China

THANK YOU!

Thank you for choosing the Tiny Land Dollhouse! It's a terrific way to help nurture a child's creativity and imagination and to inspire story-telling and independent play for years to come.



<https://bit.ly/TLASsembly> 🔍

**Scan the QR code above
to view the detailed instruction video**

WARNING: Adult assembly required.

EN Warning: Not for children under 3 years. Adult assembly required.
Choking hazard - Small parts.

DE Warnung: Nicht für Kinder unter 3 Jahren geeignet.
Zusammenbau durch Erwachsene erforderlich. Erstickungsgefahr – Kleinteile.

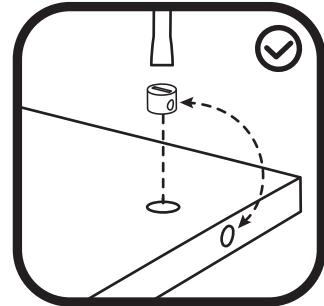
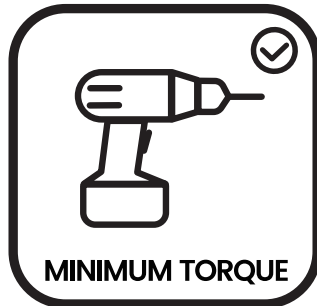
FR Attention: Pas pour les enfants de moins de 3 ans.
Montage réalisé par un adulte - Petites pièces.

ES Aviso: No para niños menores de 3 años.
L'assemblaggio da parte di un adulto è richiesto - Piezas pequeñas.

IT Advertencia: Piccole parti. Non adatto a bambini sotto i 3 anni.
Se requiere el montaje por parte de un adulto - Piccole parti.

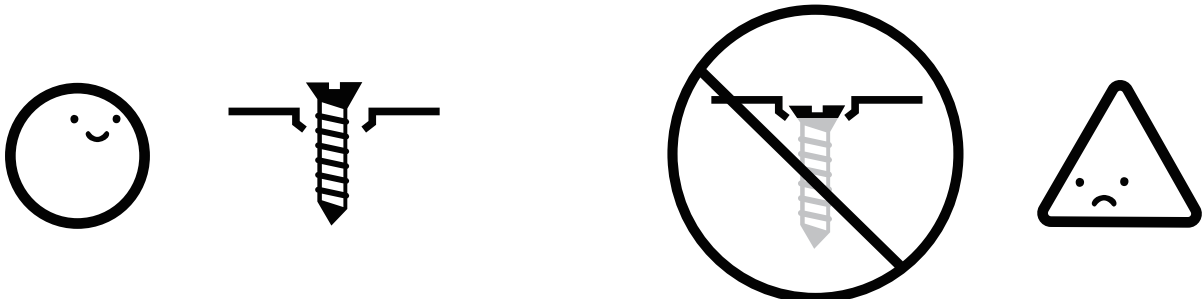
IMPORTANT

Be smart-sort your parts!
Be sure you have all required parts BEFORE beginning assembly!

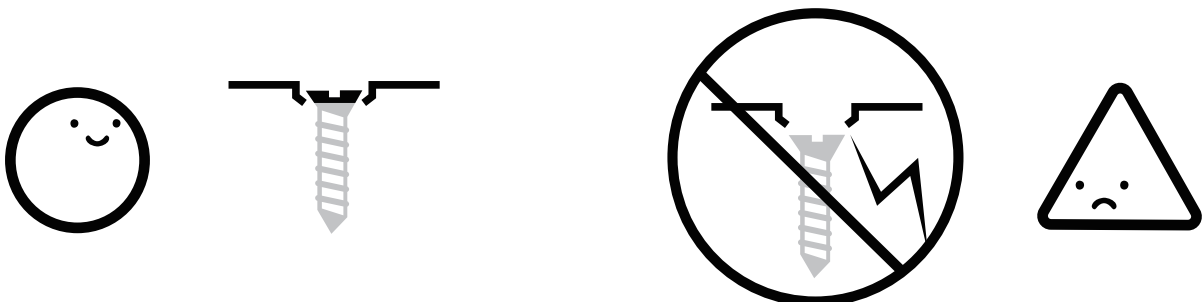


Please use a manual screwdriver for assembly or set the electric screwdriver to the MINIMUM TORQUE to avoid damaging the product. If the minimum torque is not sufficient to turn the screws, gradually increase the torque as needed.

Before installation, check the plastic nuts to ensure that their holes align with the holes on the side. If there is any misalignment, use a screwdriver to manually adjust the plastic nuts until they align with the holes, then proceed with installation.



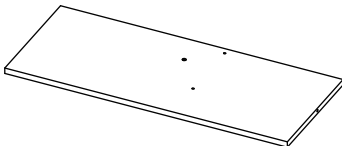
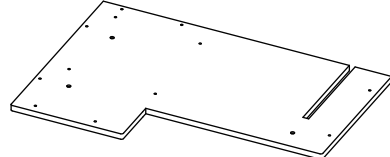
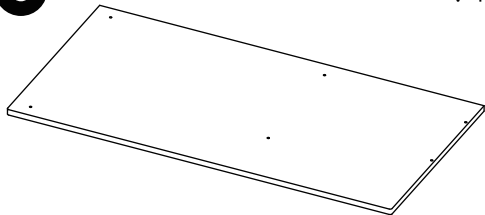
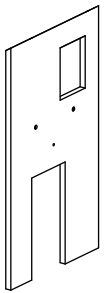
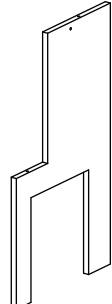
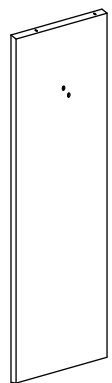
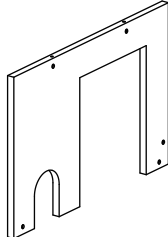
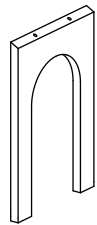
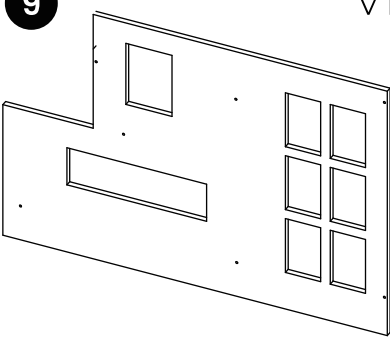
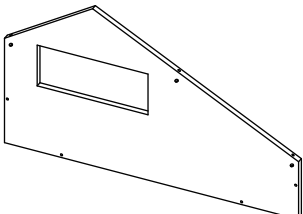
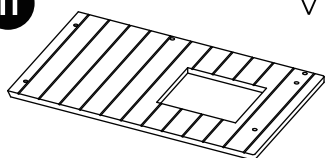
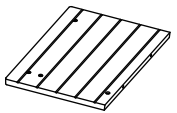
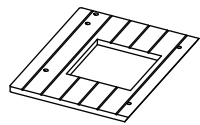
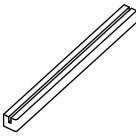
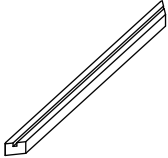


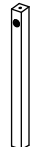

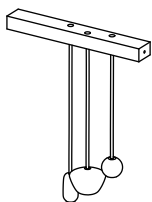

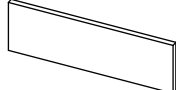
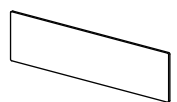


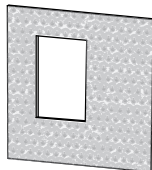




**DO NOT FULLY TIGHTEN SCREWS UNTIL
ALL PANELS ARE CONNECTED.**

















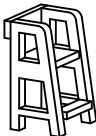
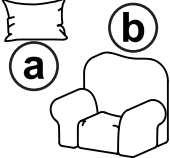
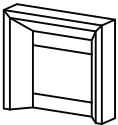


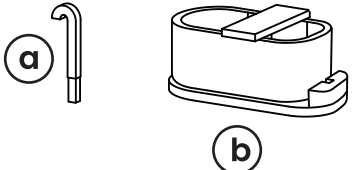
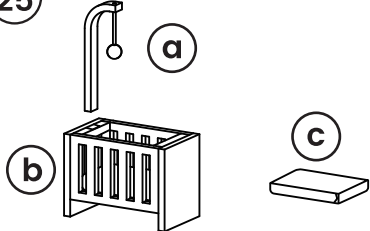
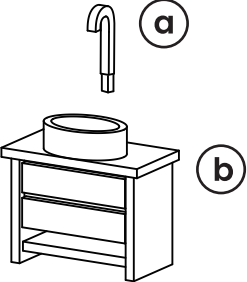
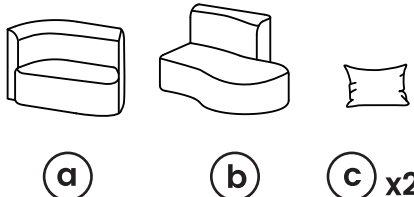

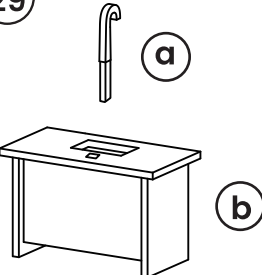

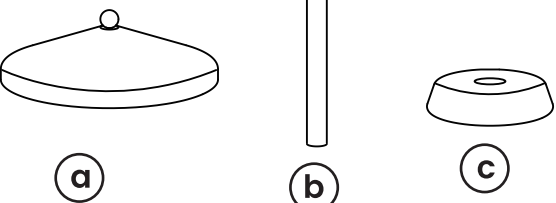
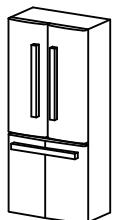
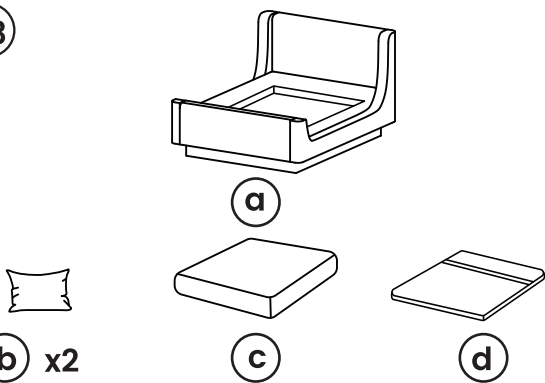
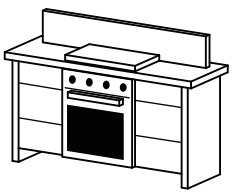
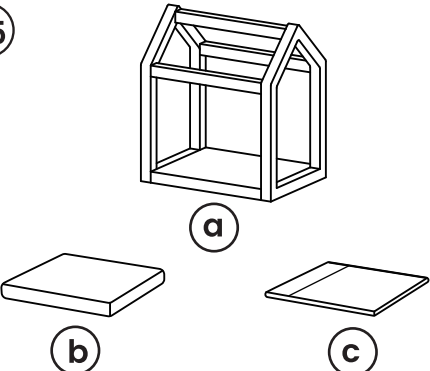
To complete assembly, use a hand-held screwdriver to fully tighten all screws until they're snug.

DO NOT OVER-TIGHTEN!
Over-tightening will cause the product to crack!

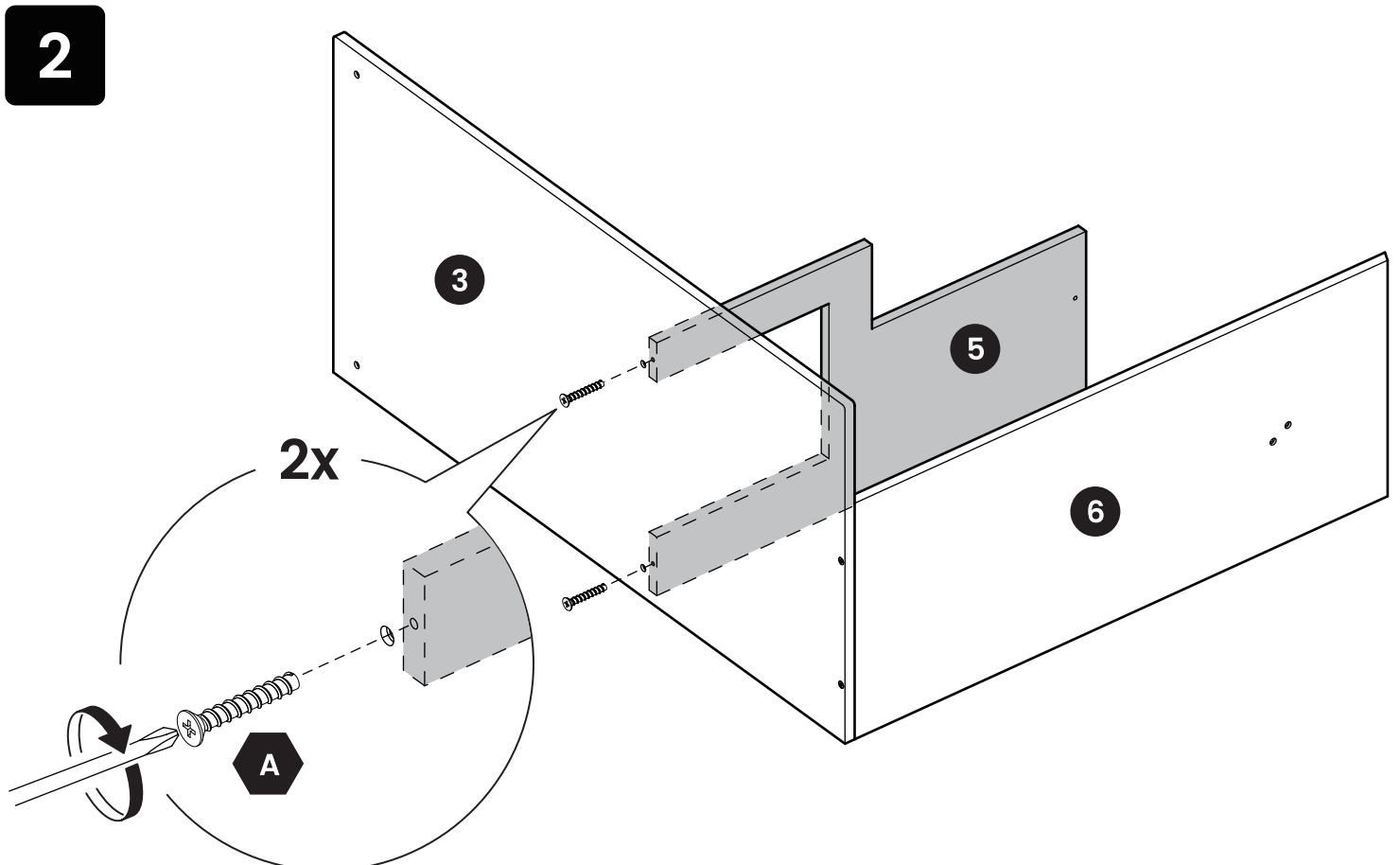
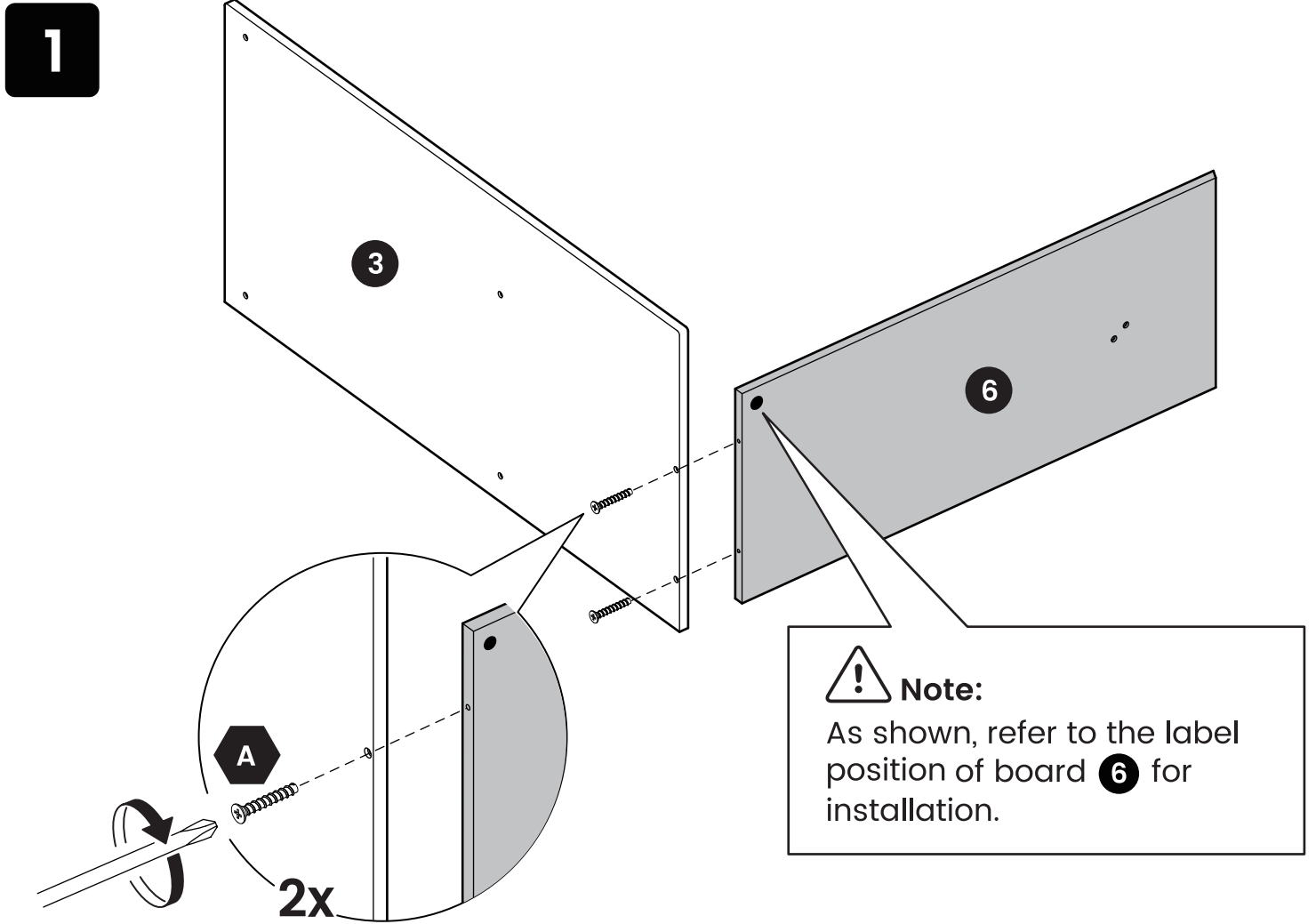
CONTENTS

1 V1 	2 V1 	3 V1 				
4 V1 	5 V1 	6 V1 	7 V1 	8 V1 		
9 V1 	10 V2 	11 V1 	13 V1 			
12 V1 						
14 V1 	15 V1 	16 V1 	17 V1 	18 x2 V1 		
19 V1 	20 V1 	21 V1 	22 V2 	23 V1 		
24 V1 	25 x2 V1 	26 	A x40 V1  M4X35mm	B x6 V1  M4X16mm	C x8 V1  M4X14mm	D x4 V1 

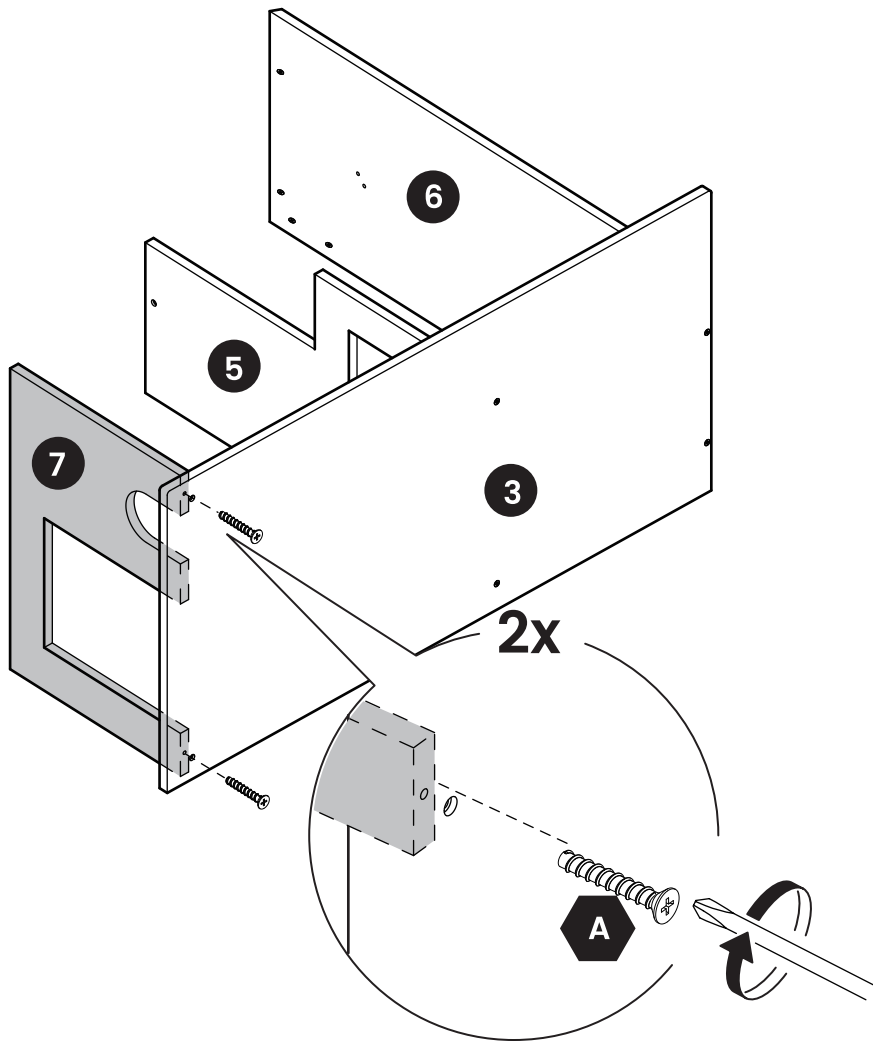
CONTENTS

<p>5</p> 	<p>6</p> 	<p>7 x4</p> 	<p>8</p> 	<p>9 x13</p> 	<p>10</p> 	<p>11</p> 	<p>12</p> 
<p>13</p> 	<p>14</p> 	<p>15</p> 	<p>16</p> 	<p>17</p> 	<p>18</p> 	<p>19</p> 	<p>20</p> 
<p>21</p> 	<p>22</p> 	<p>23</p> 	<p>24</p> 		<p>25</p> 		
<p>26</p> 		<p>27</p> 			<p>28</p> 	<p>29</p> 	
<p>30</p> 			<p>31</p> 			<p>32</p> 	
<p>33</p> 				<p>34</p> 		<p>35</p> 	

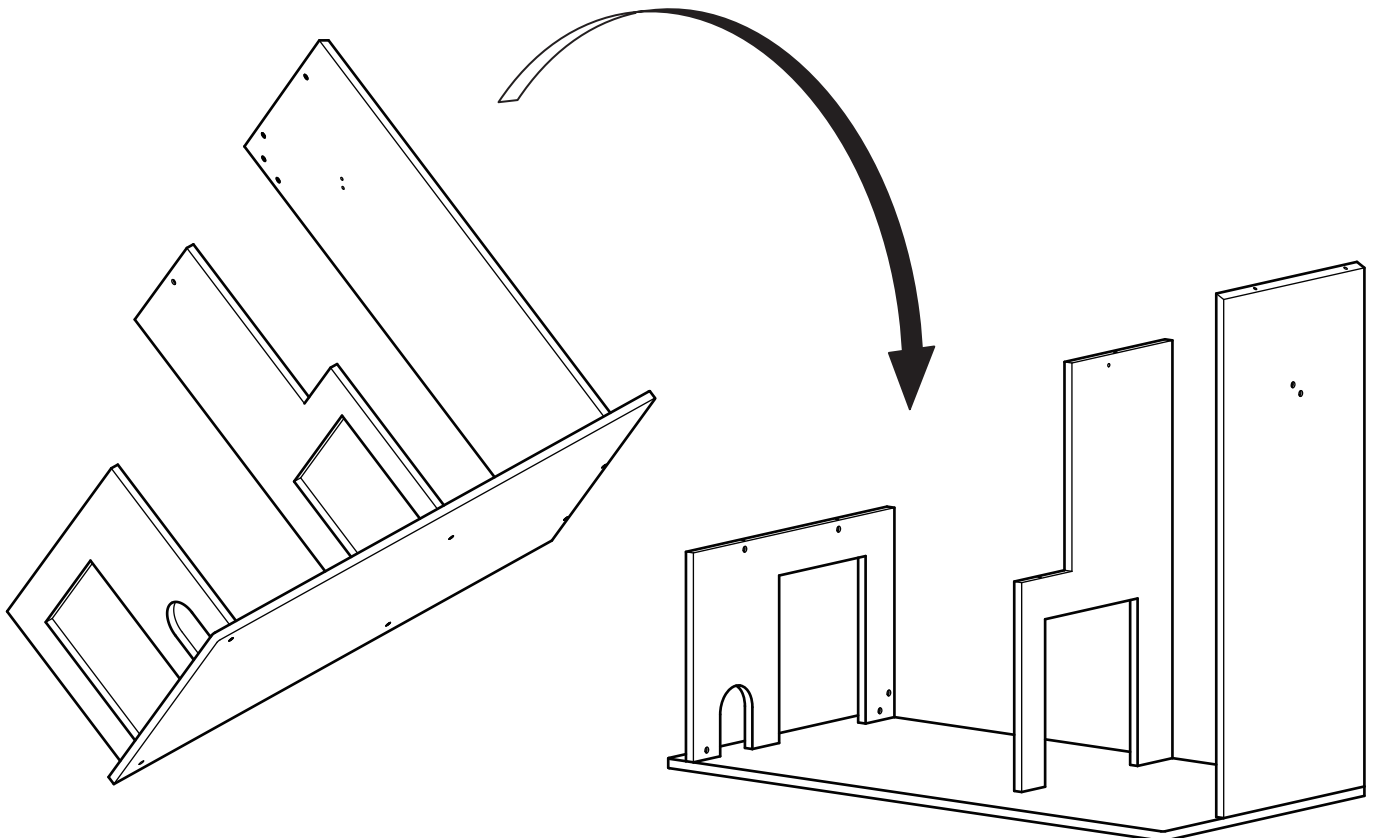
NOW IT'S TIME TO PUT IT TOGETHER!



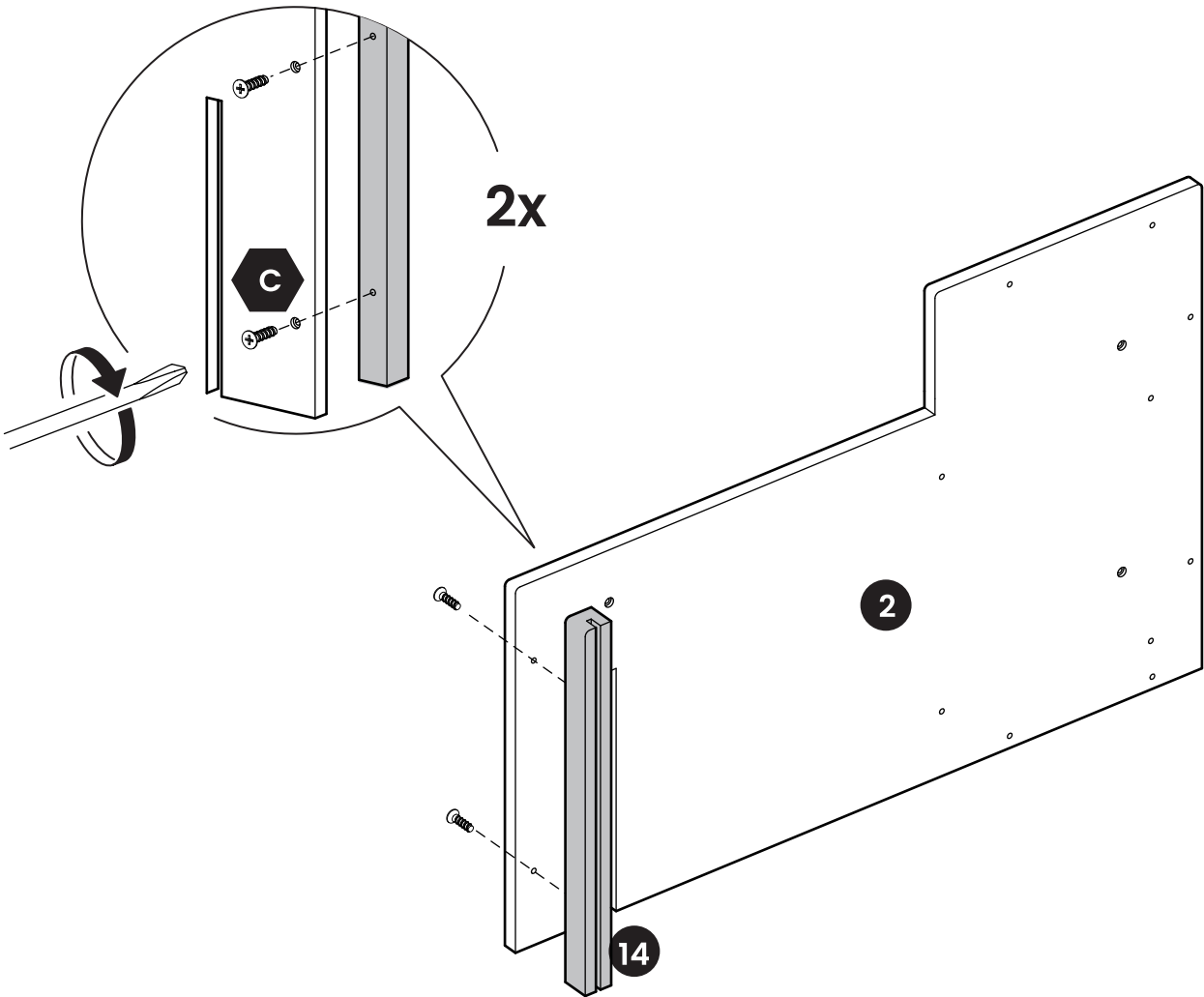
3



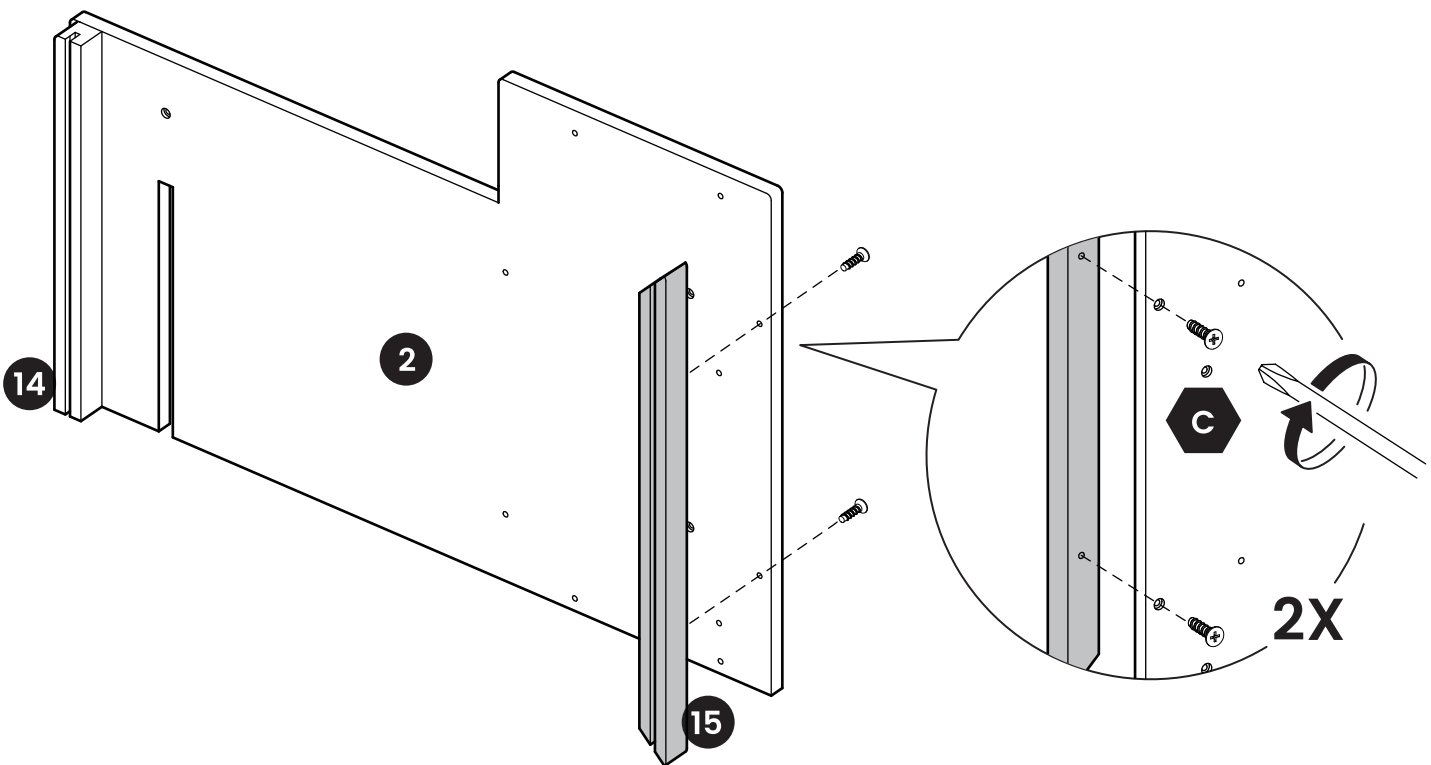
4



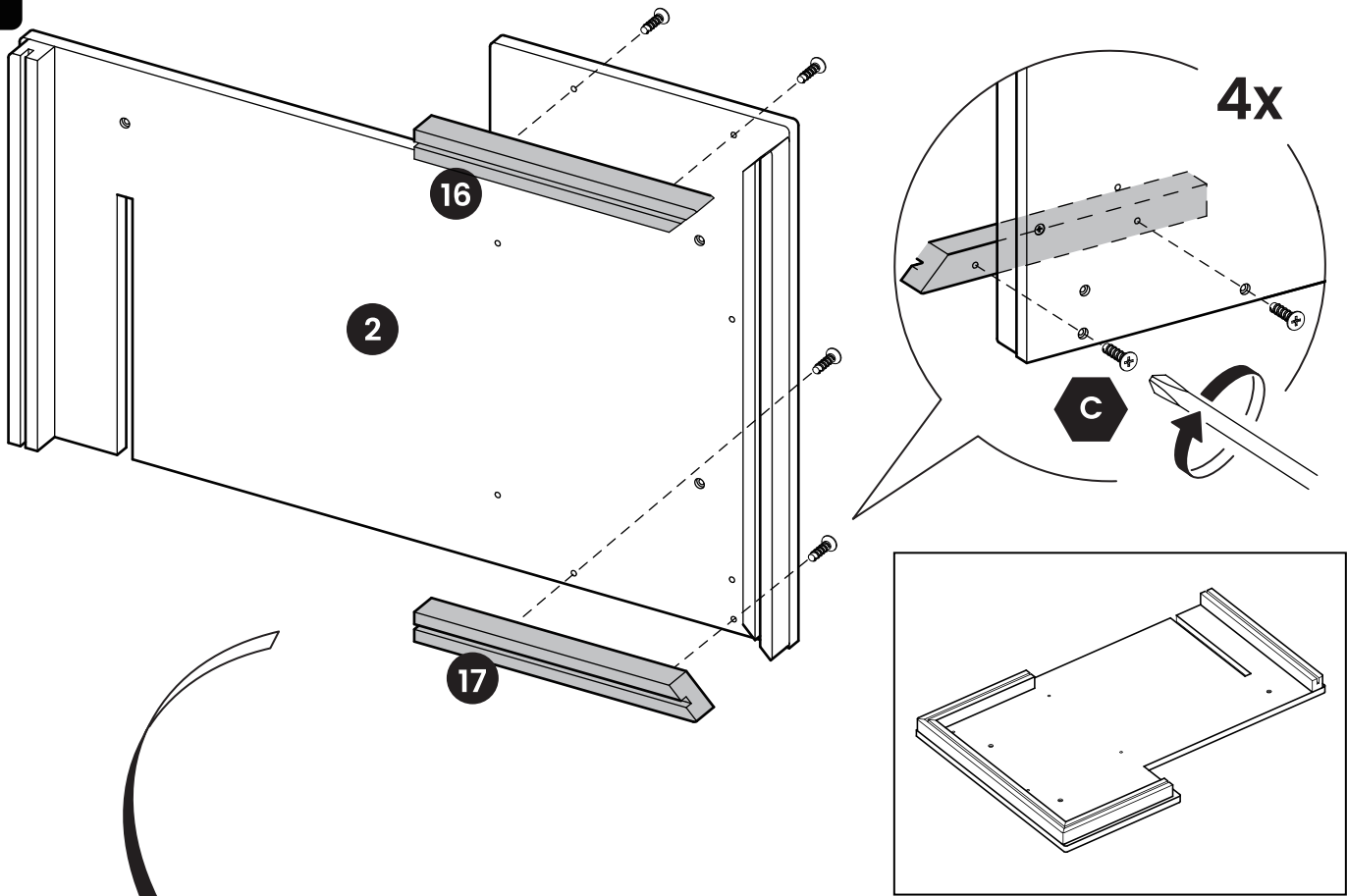
5



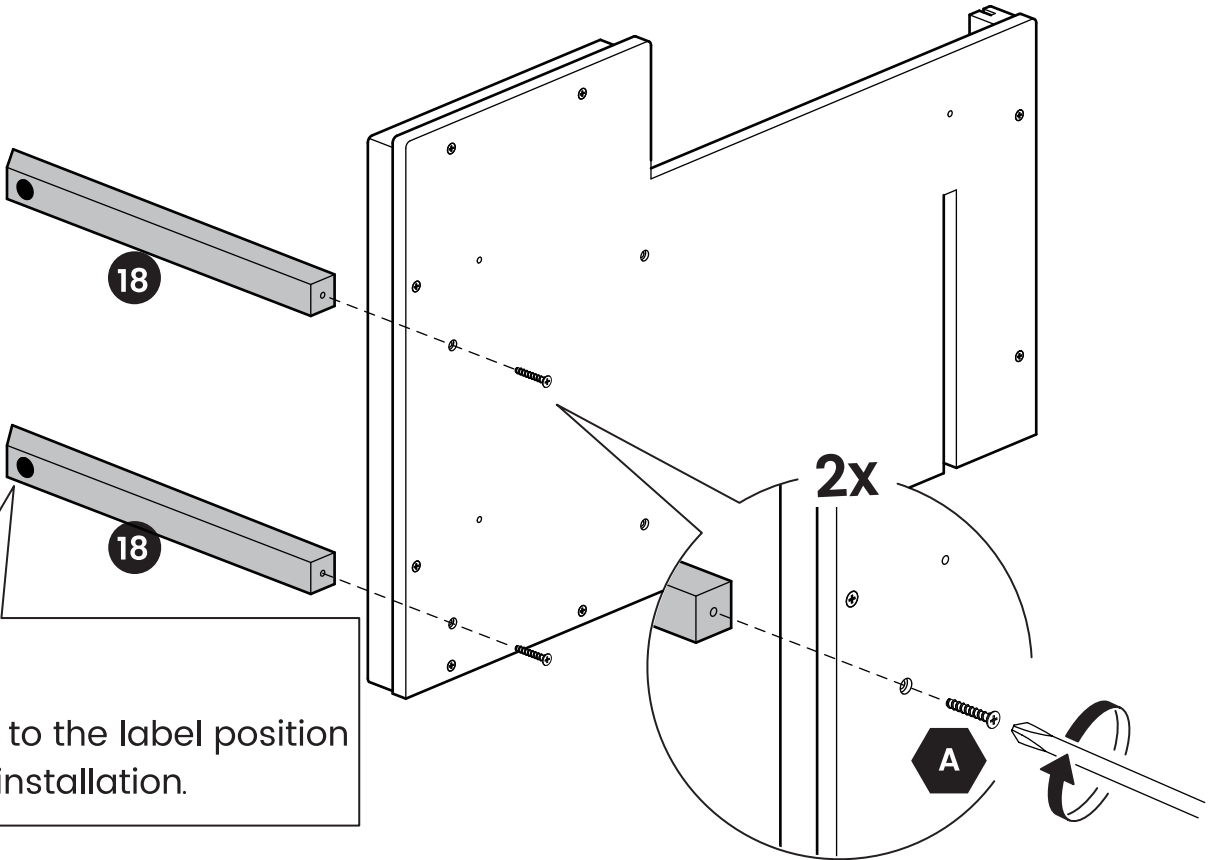
6



7

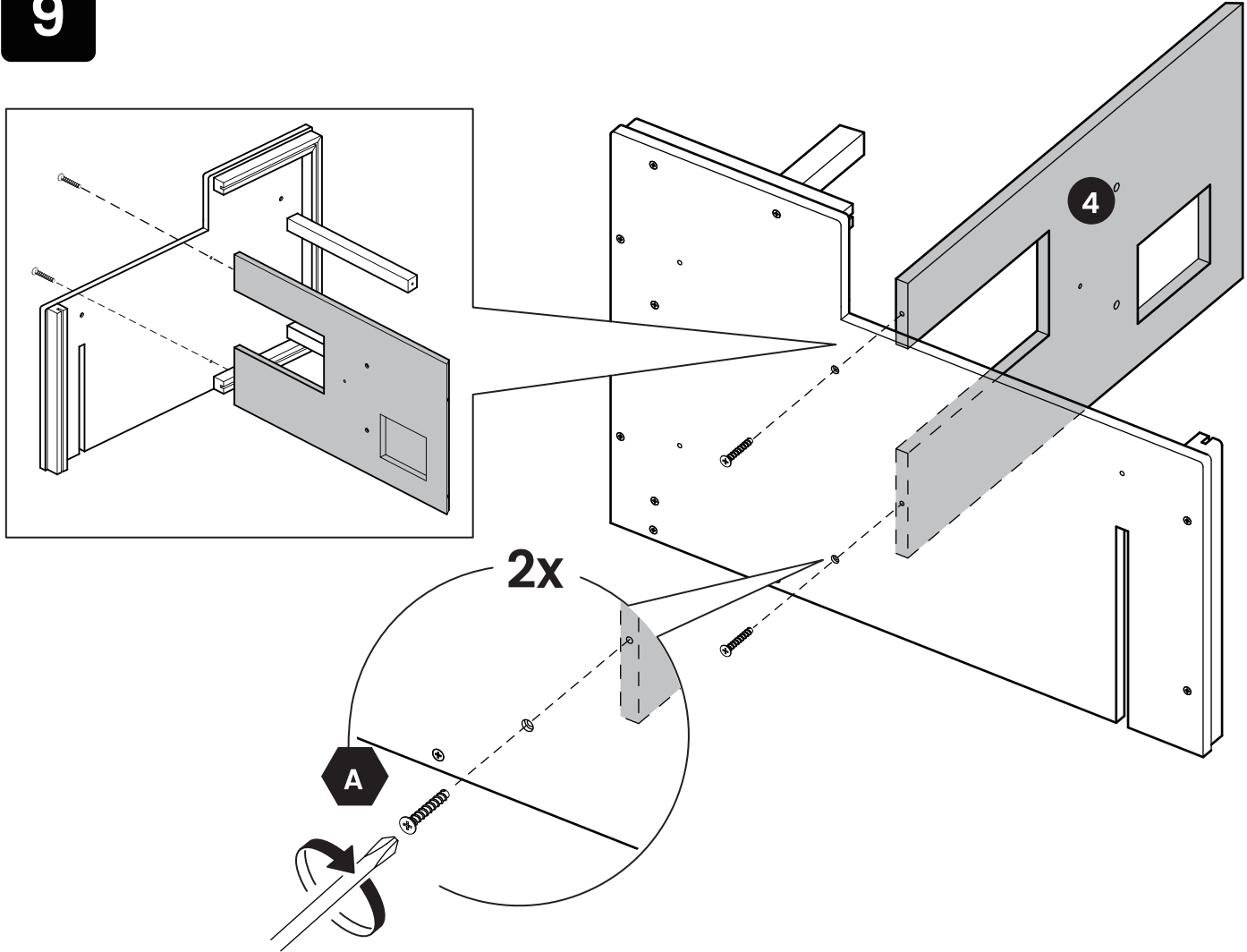


8

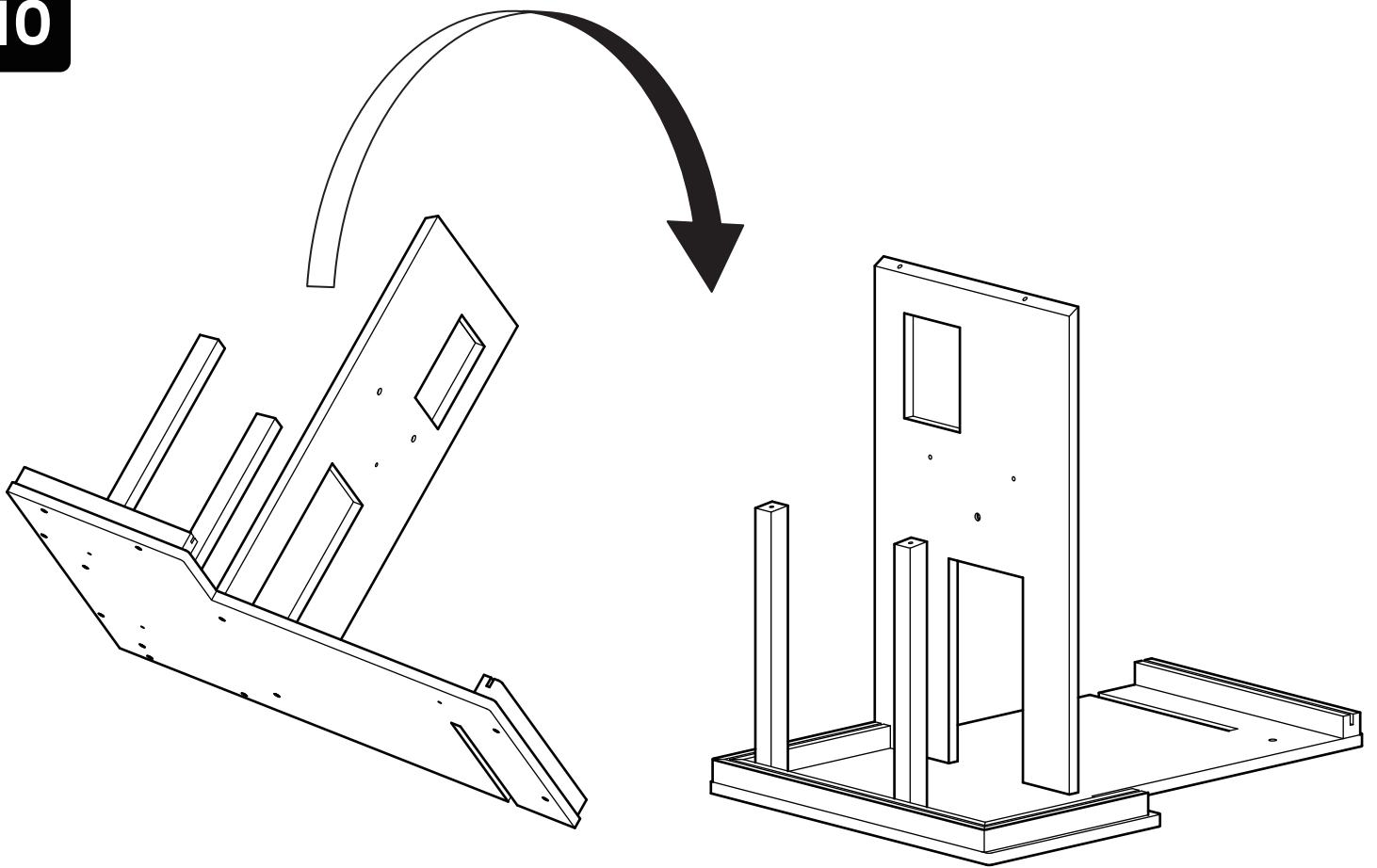


! **Note:**
As shown, refer to the label position of piece 18 for installation.

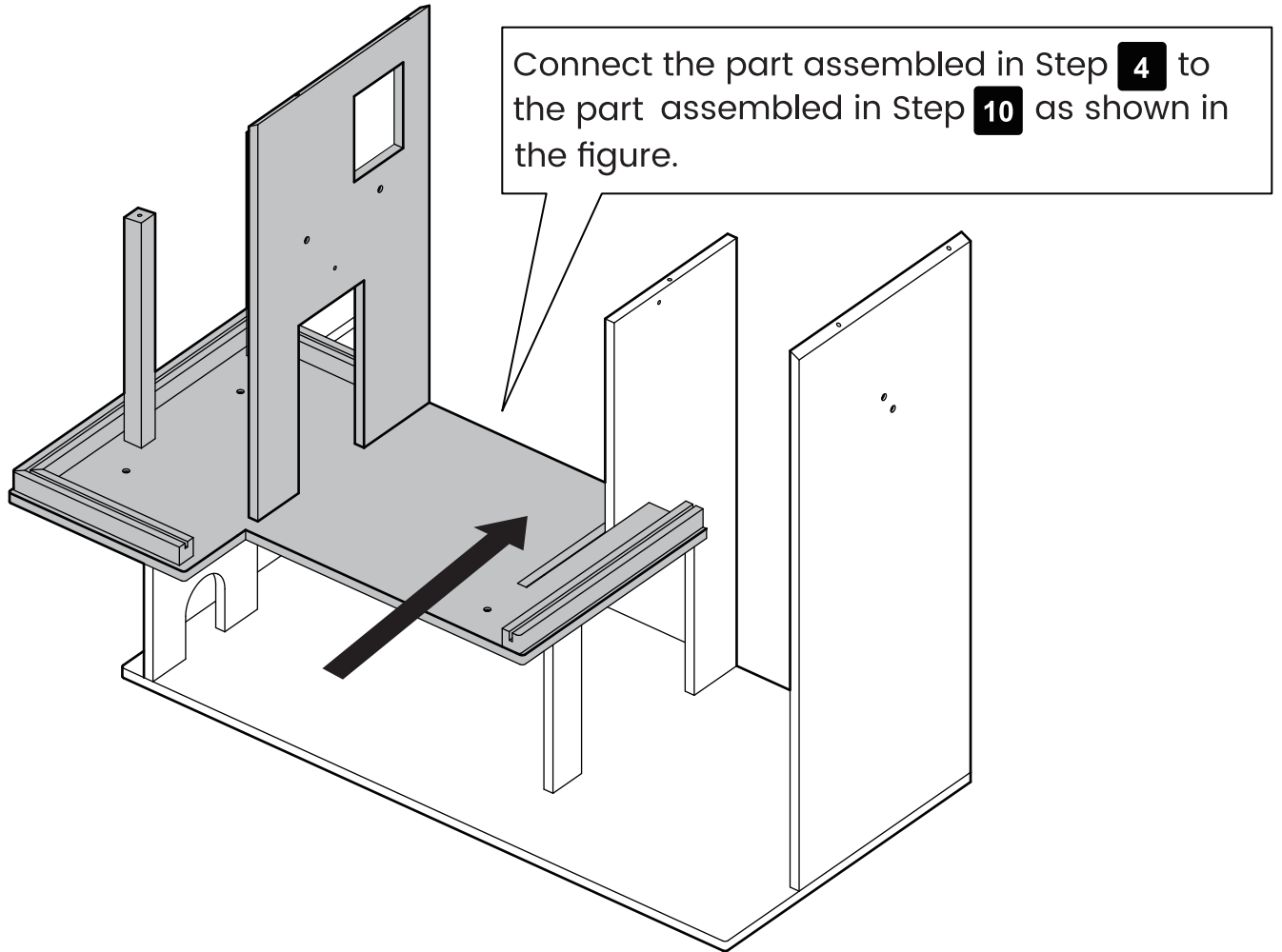
9



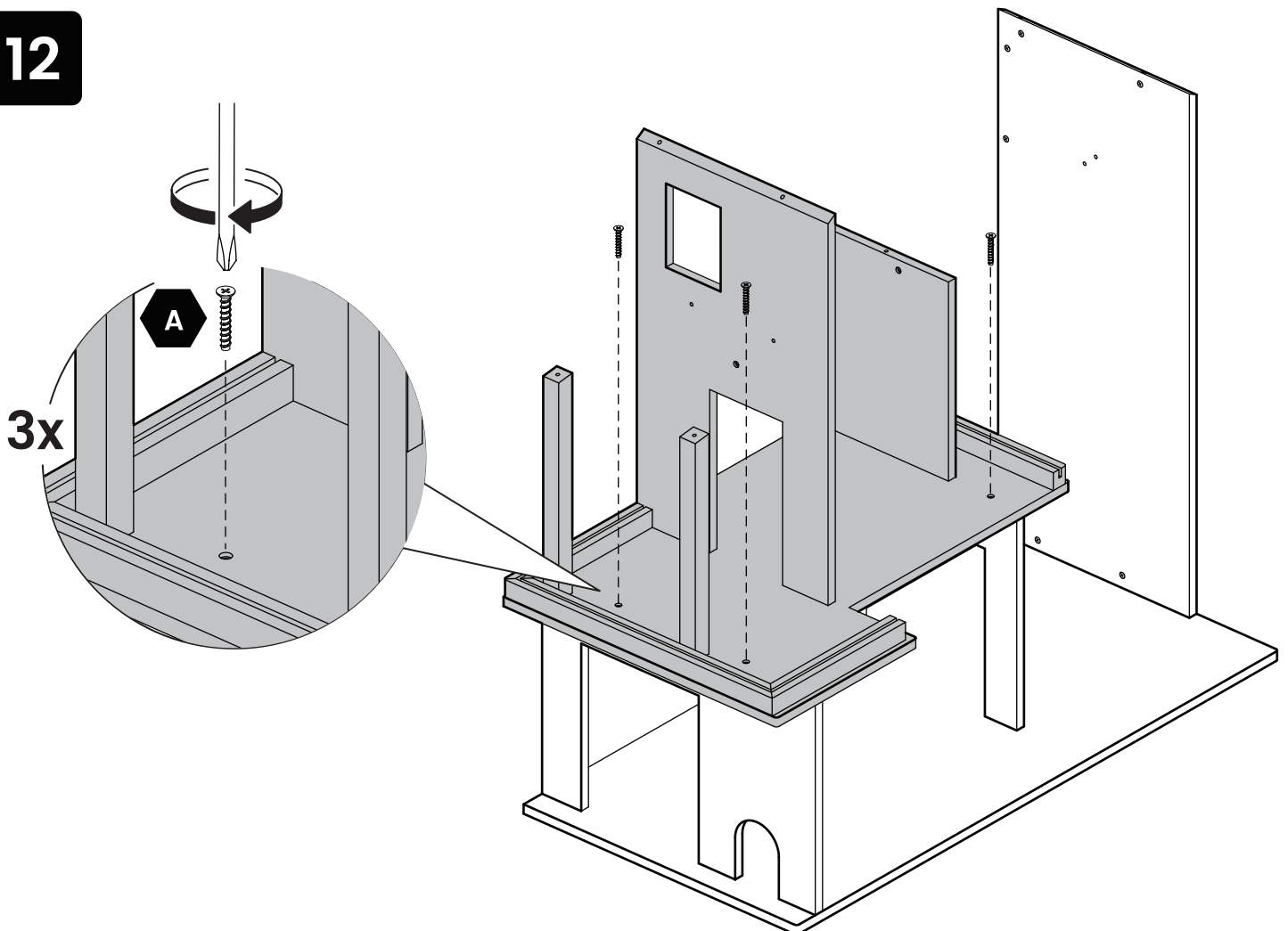
10

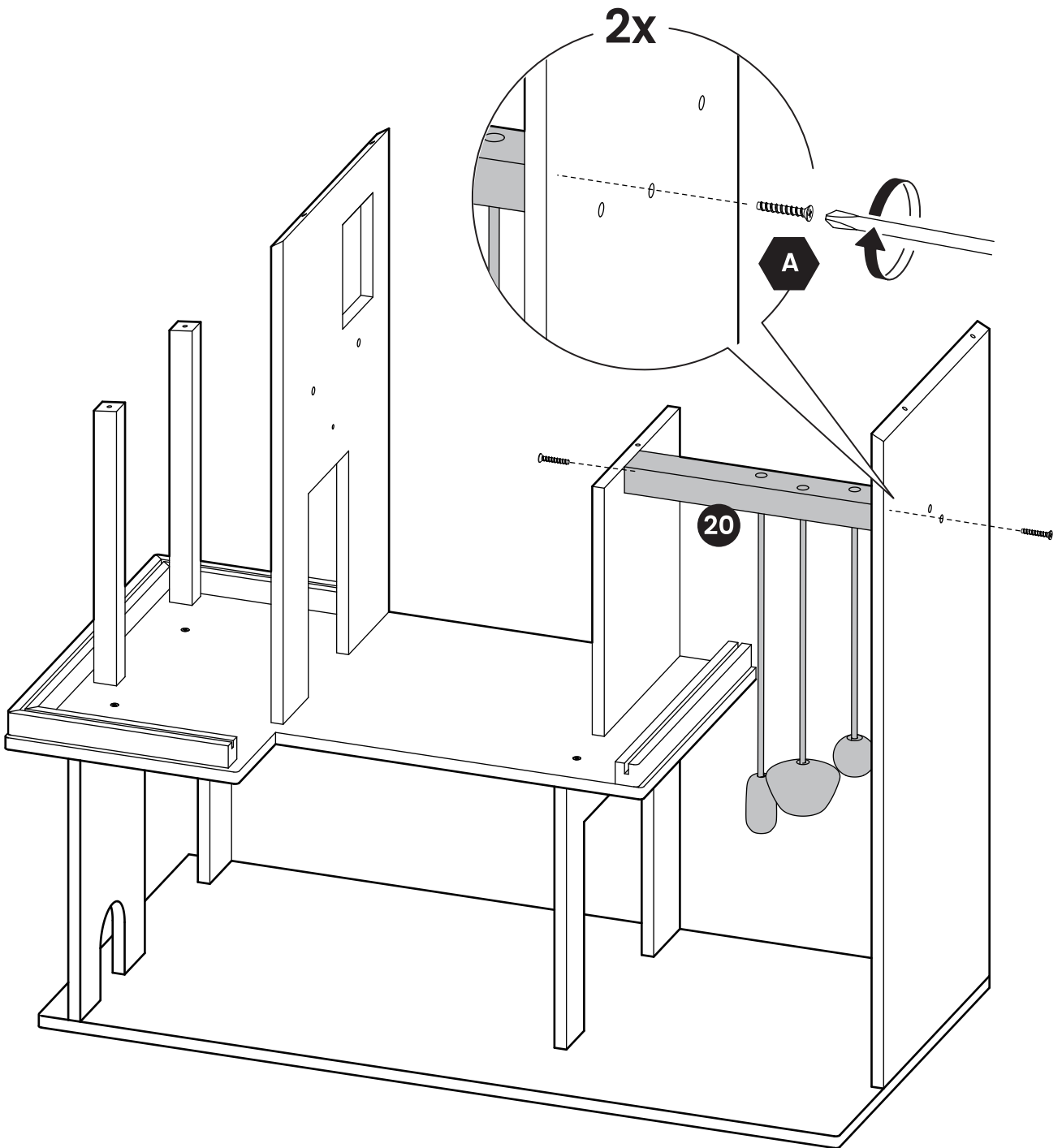
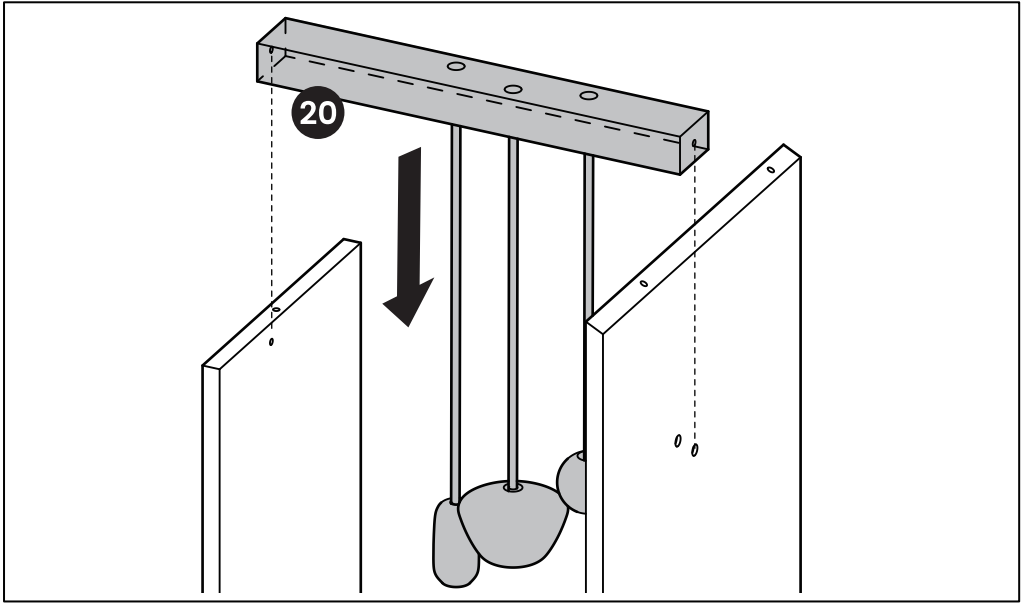


11

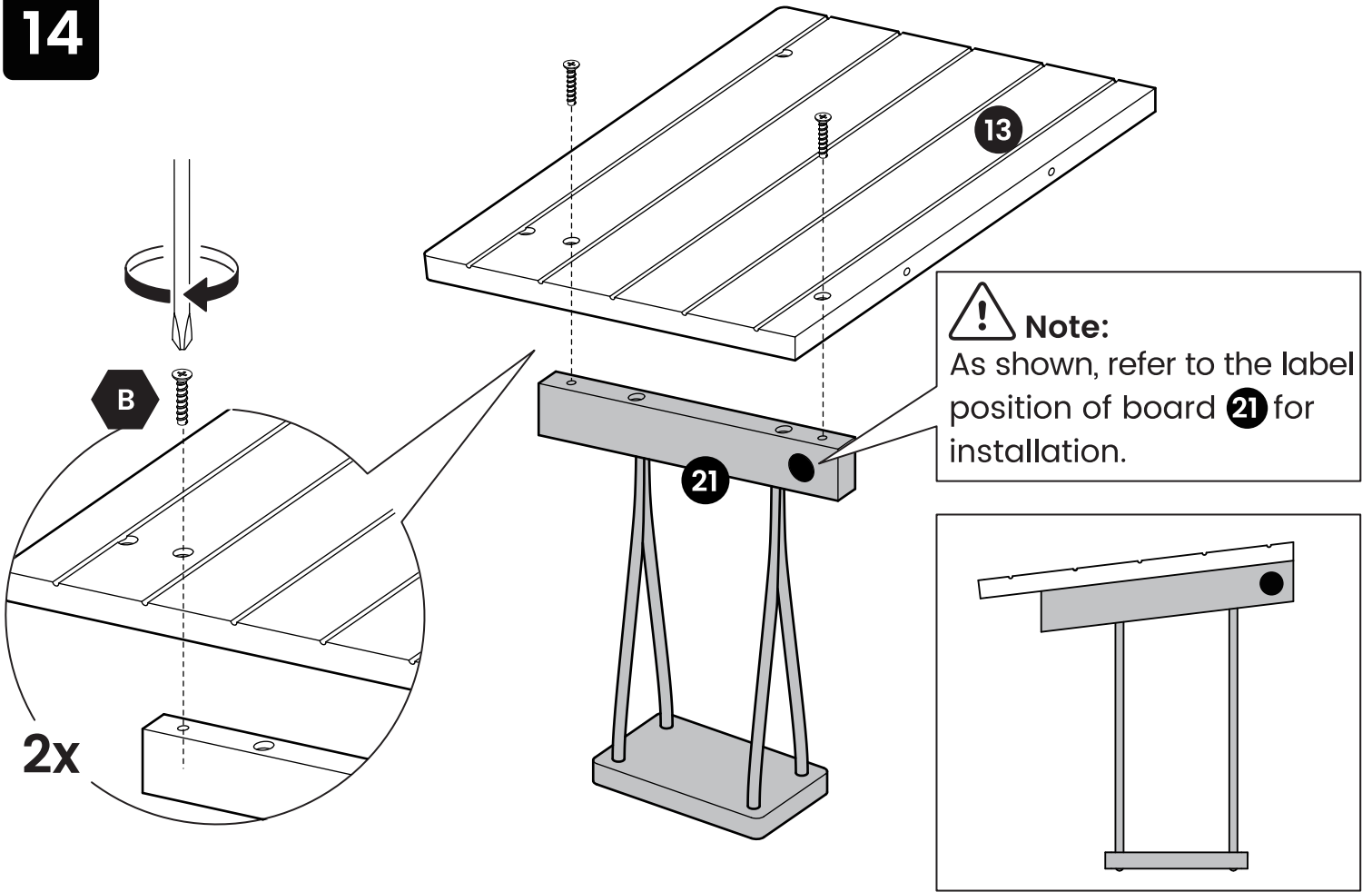


12

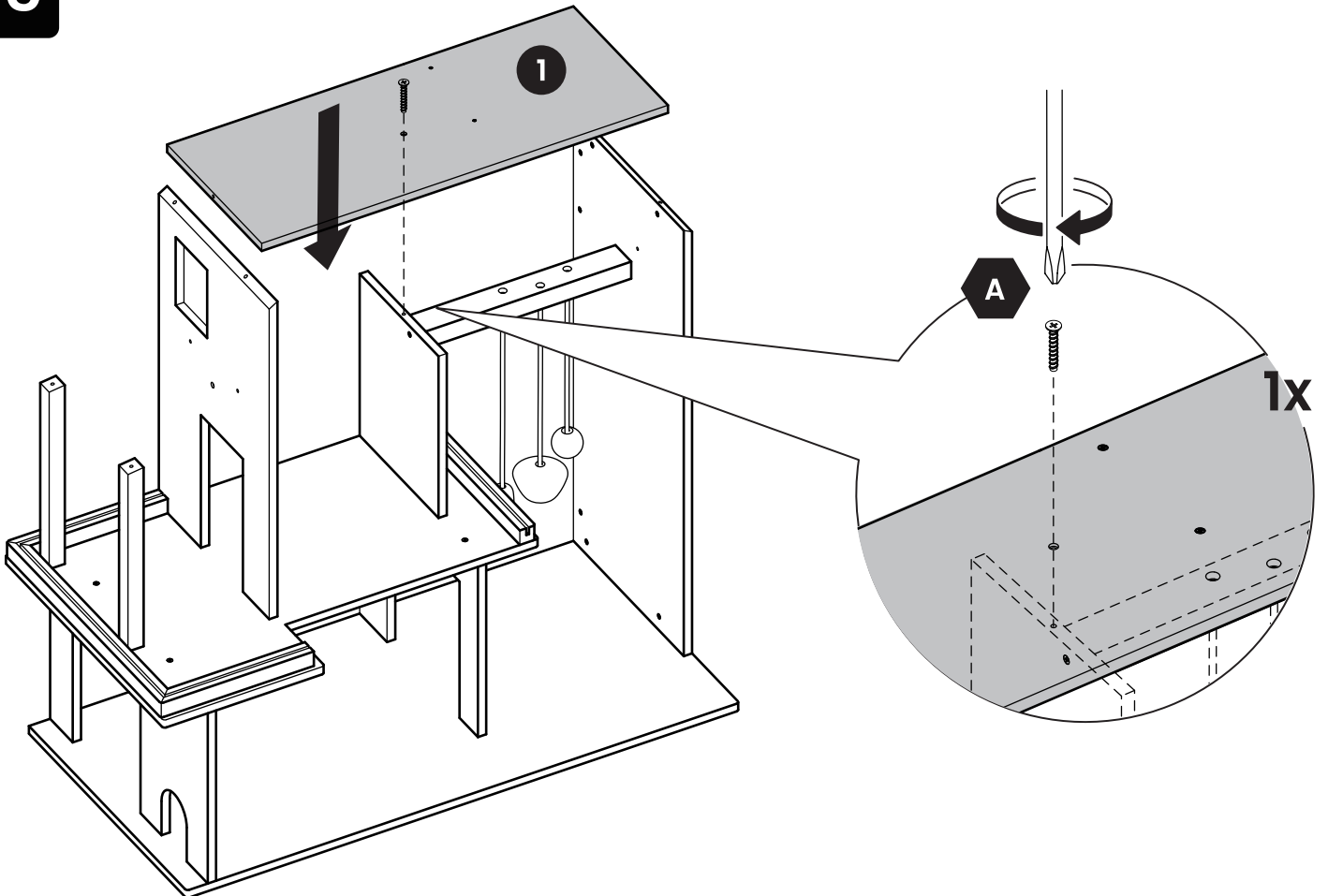




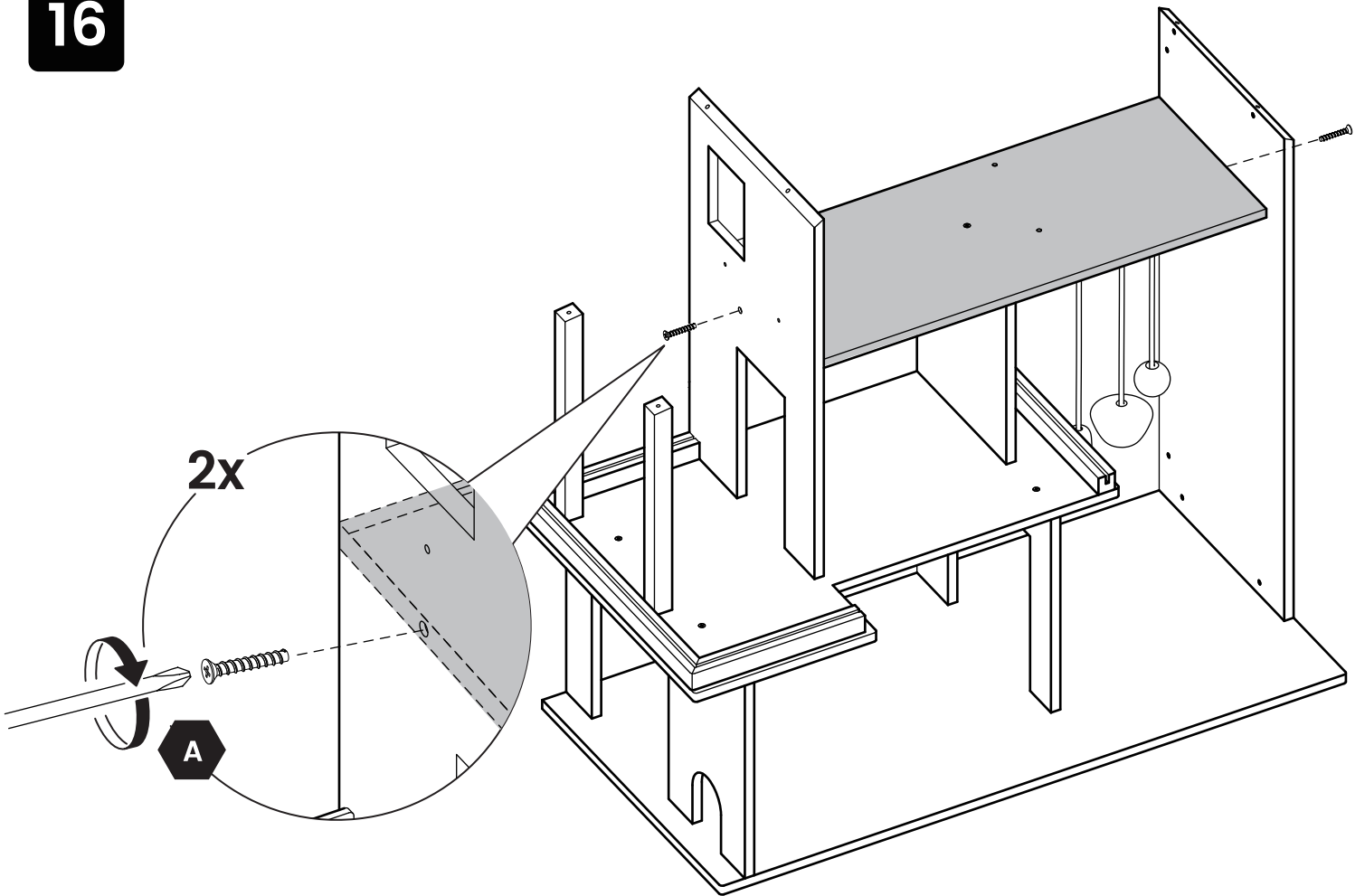
14



15

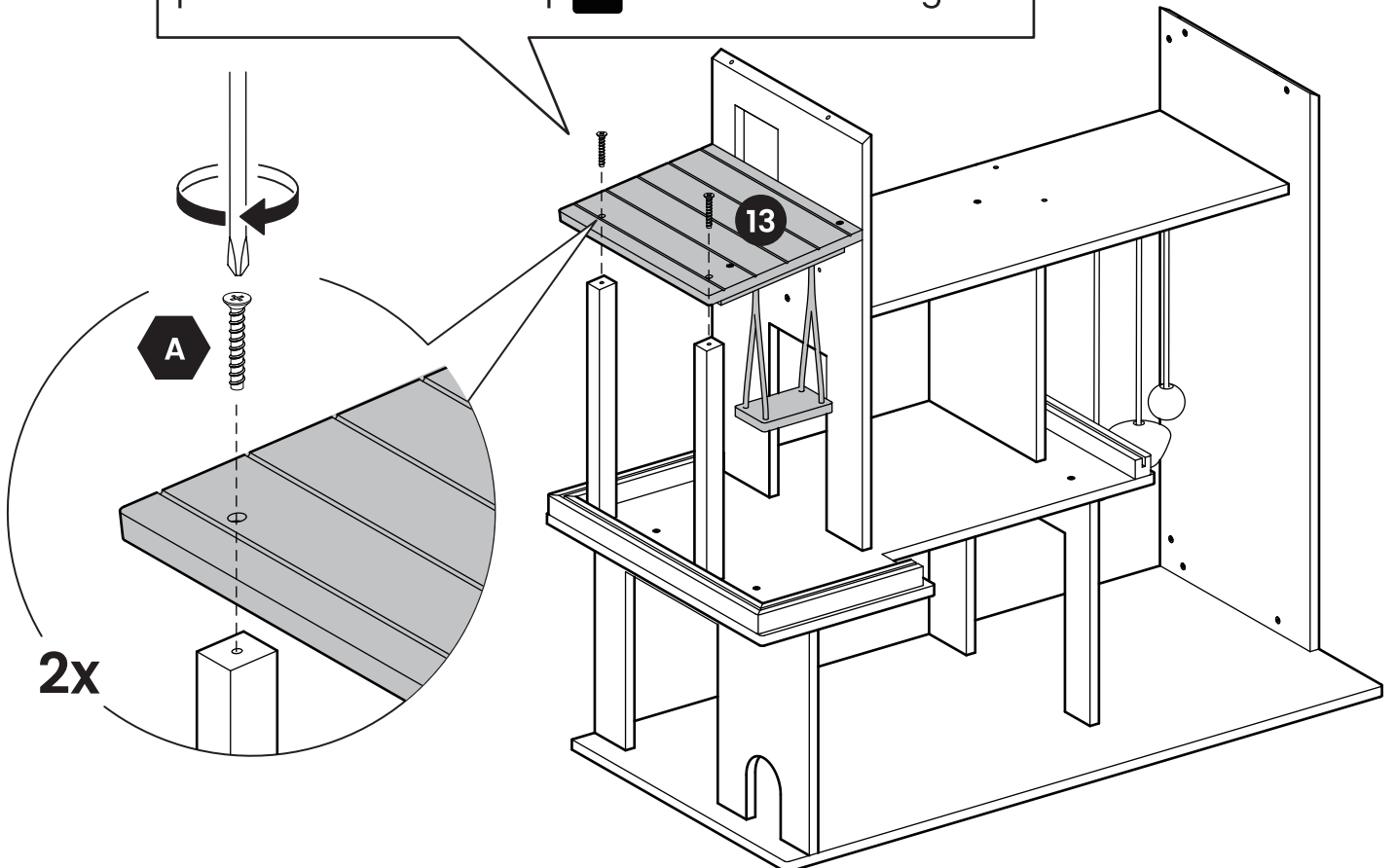


16

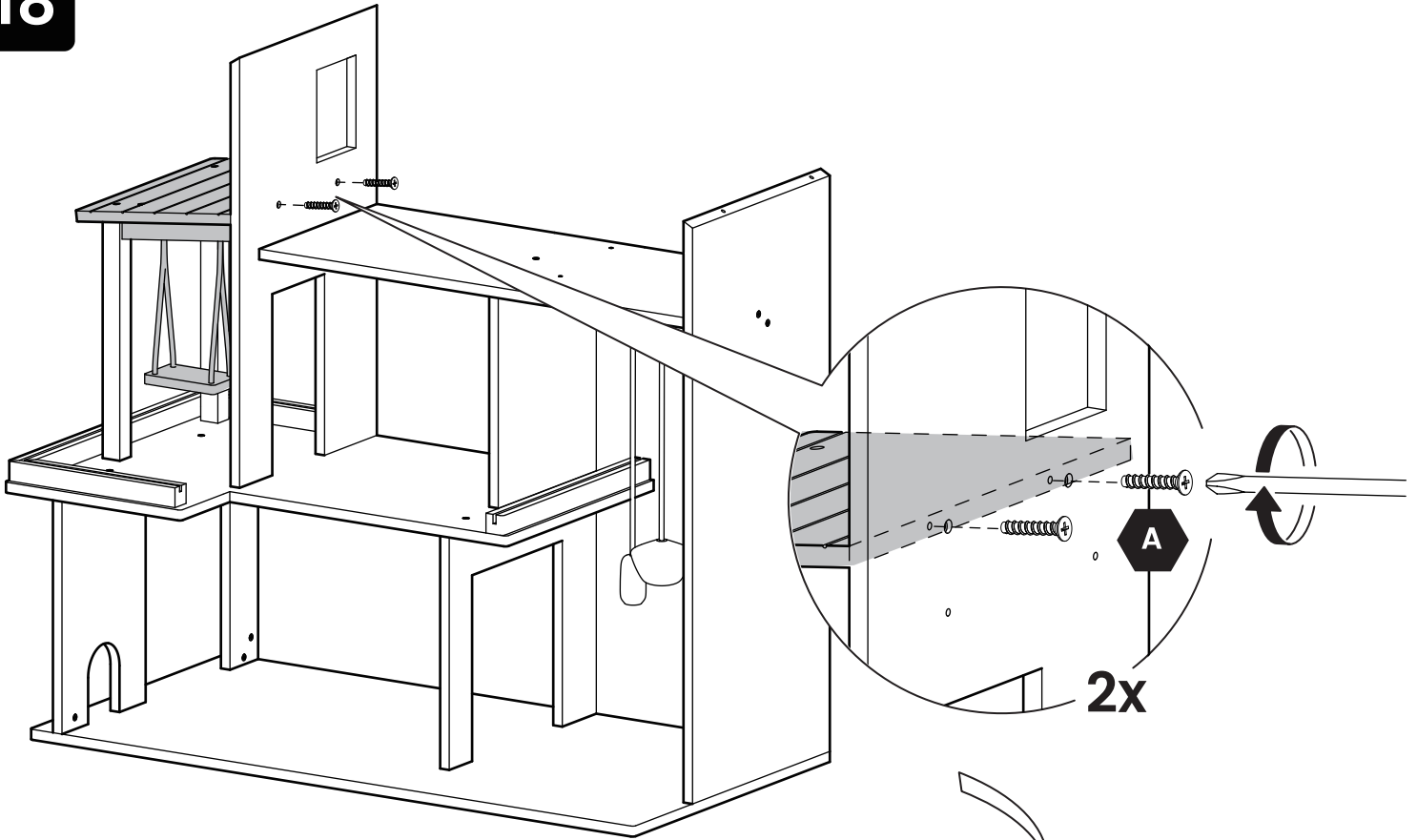


17

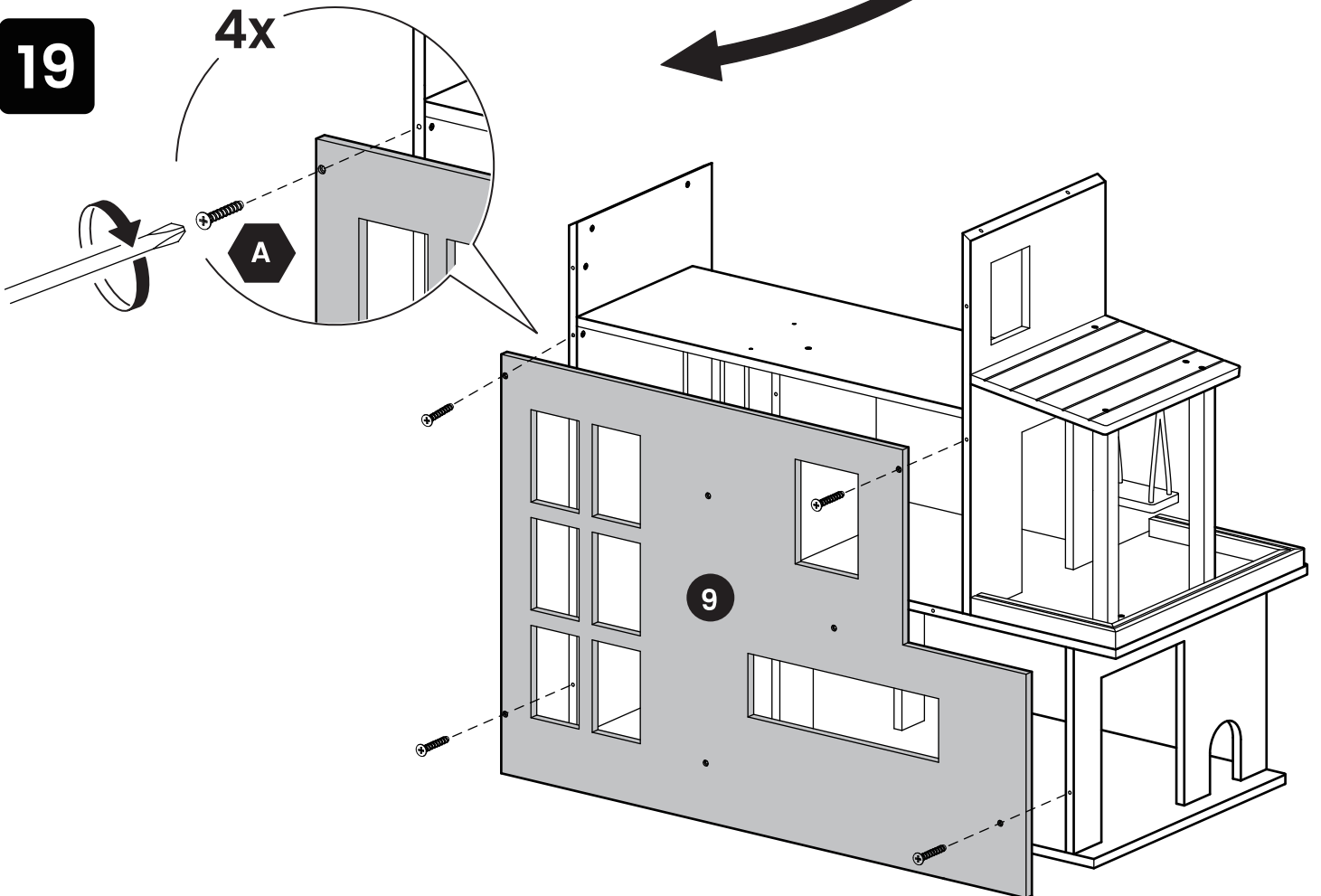
Connect the part assembled in Step 14 to the part assembled in Step 16 as shown in the figure.



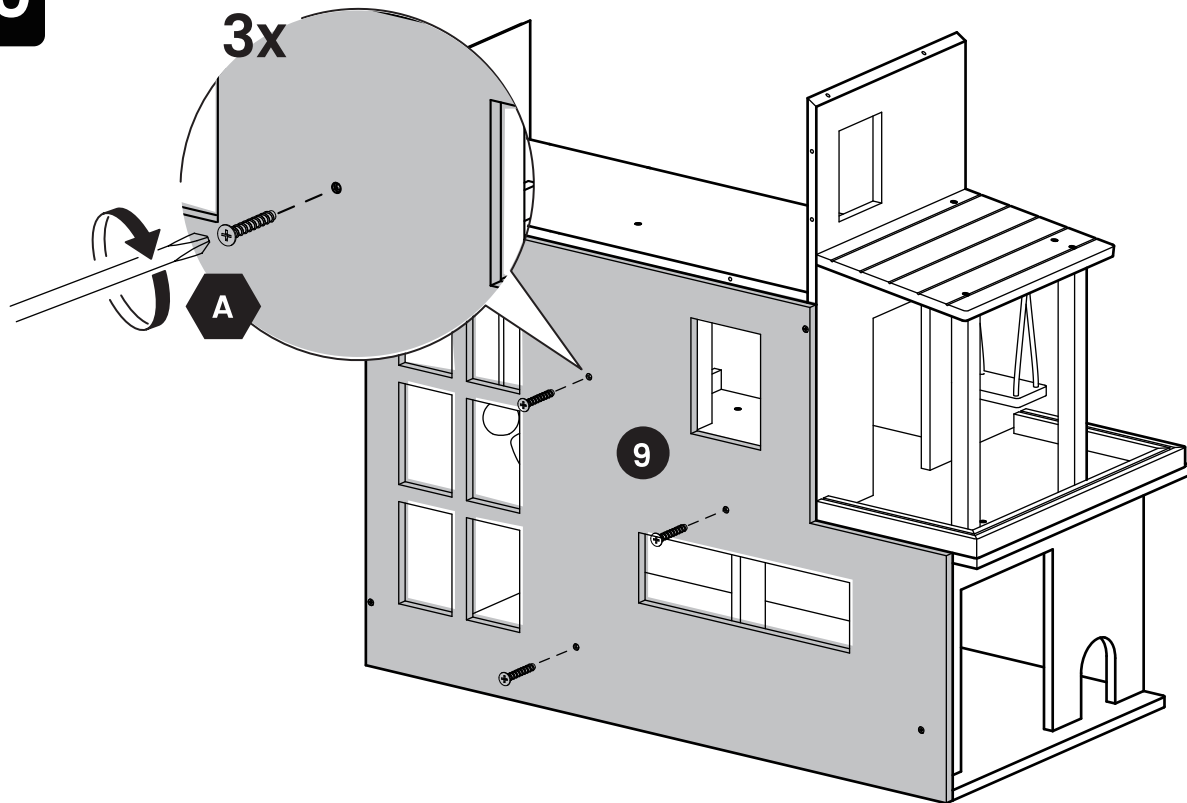
18



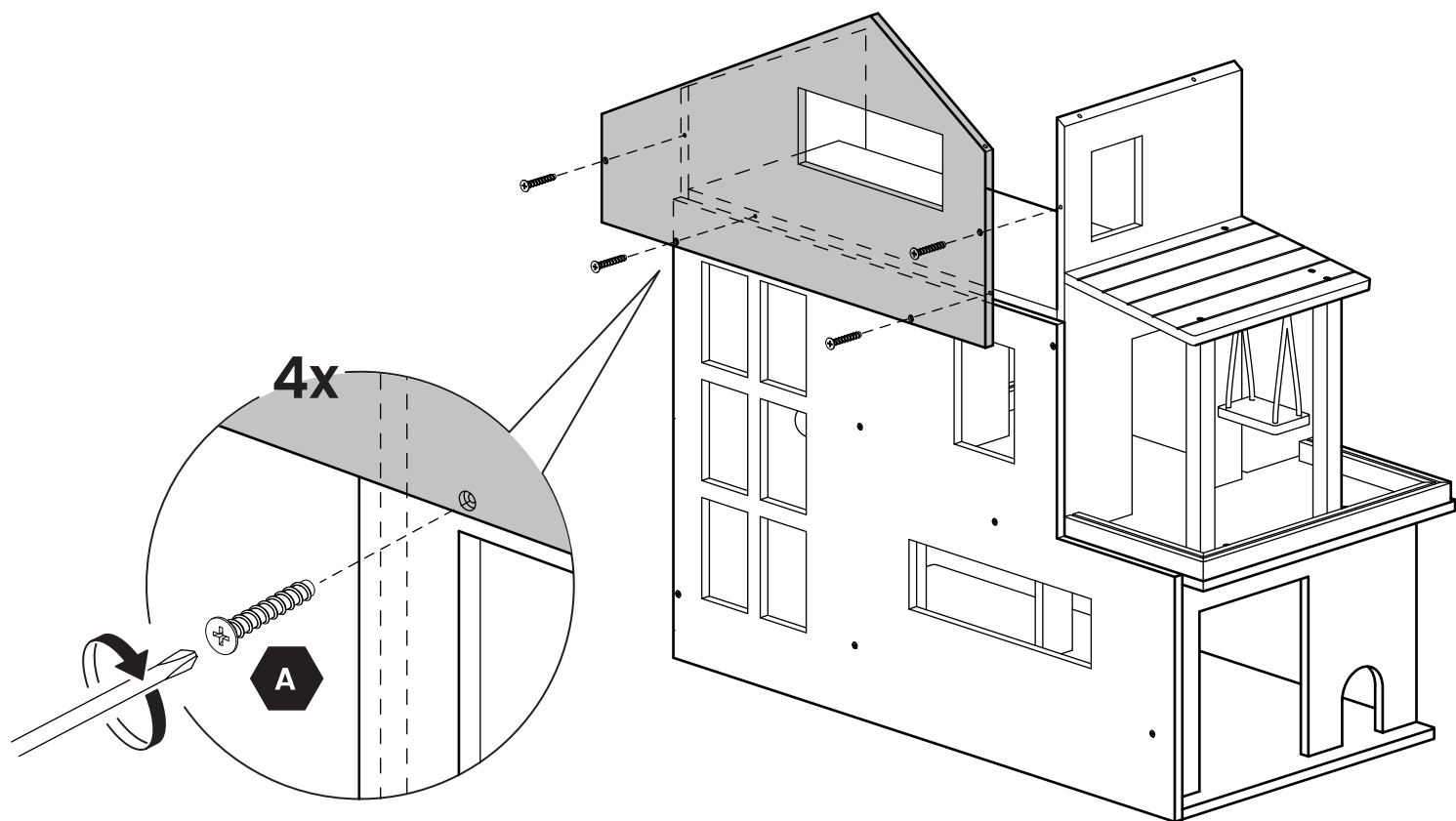
19



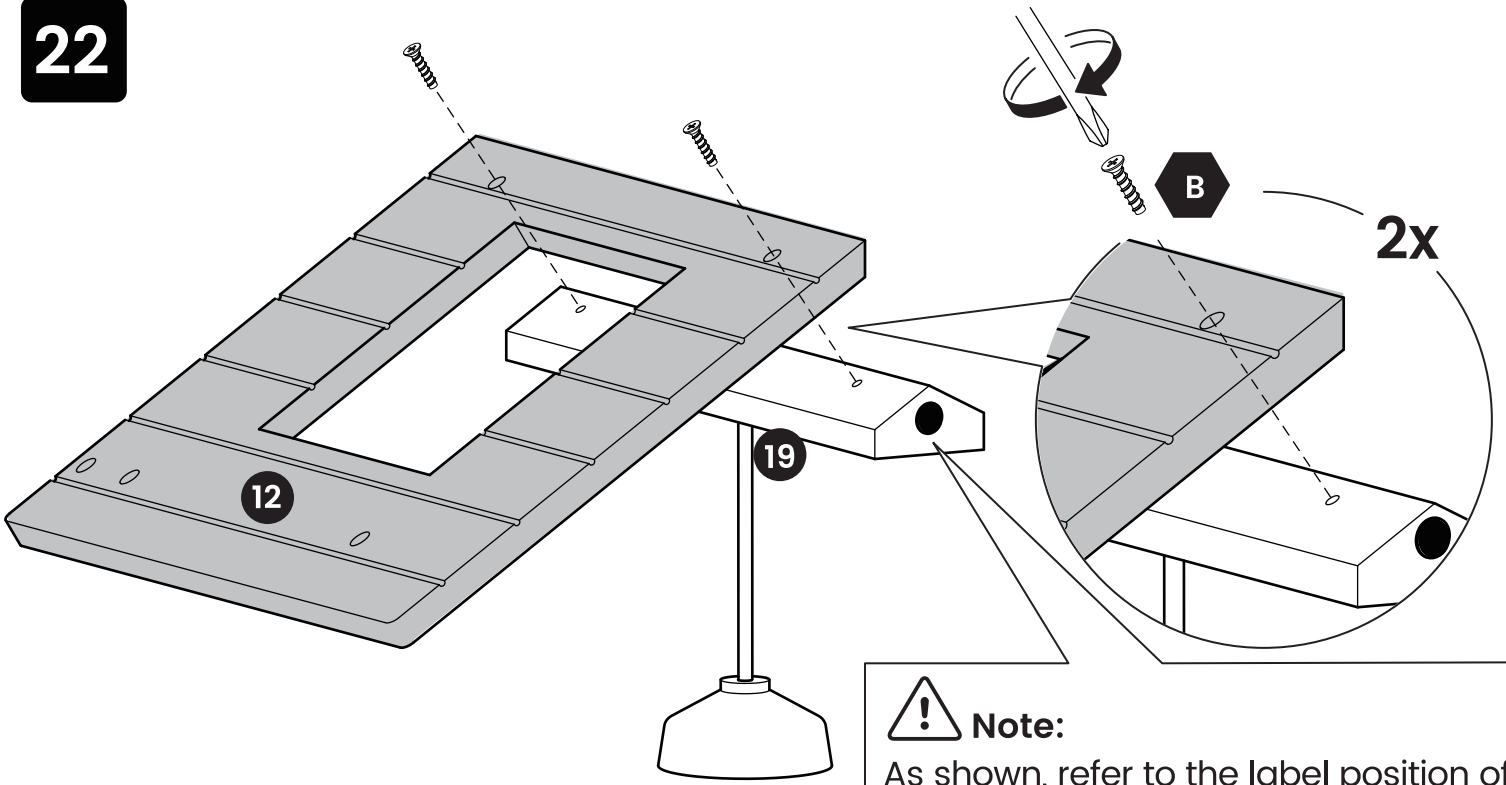
20



21

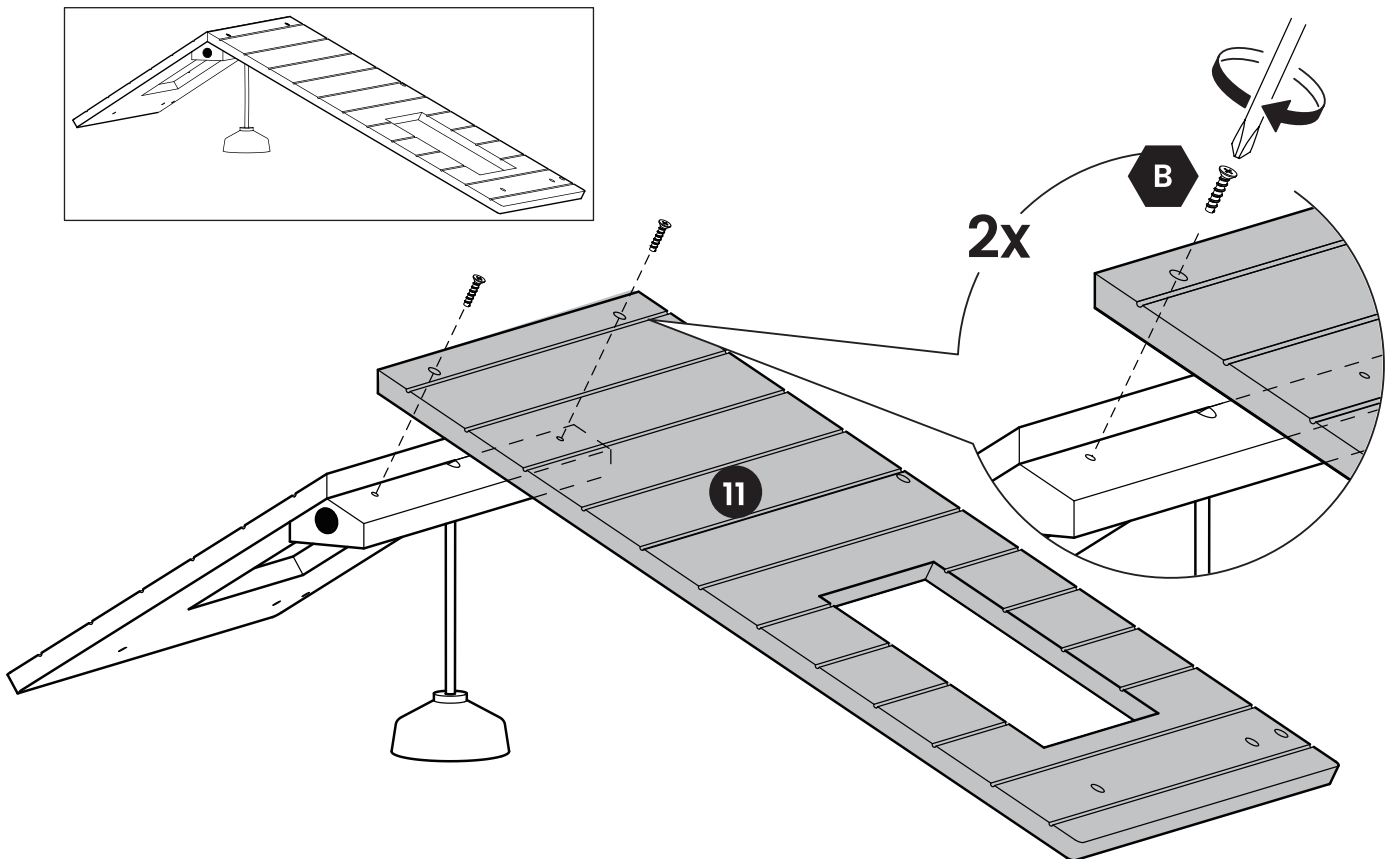


22

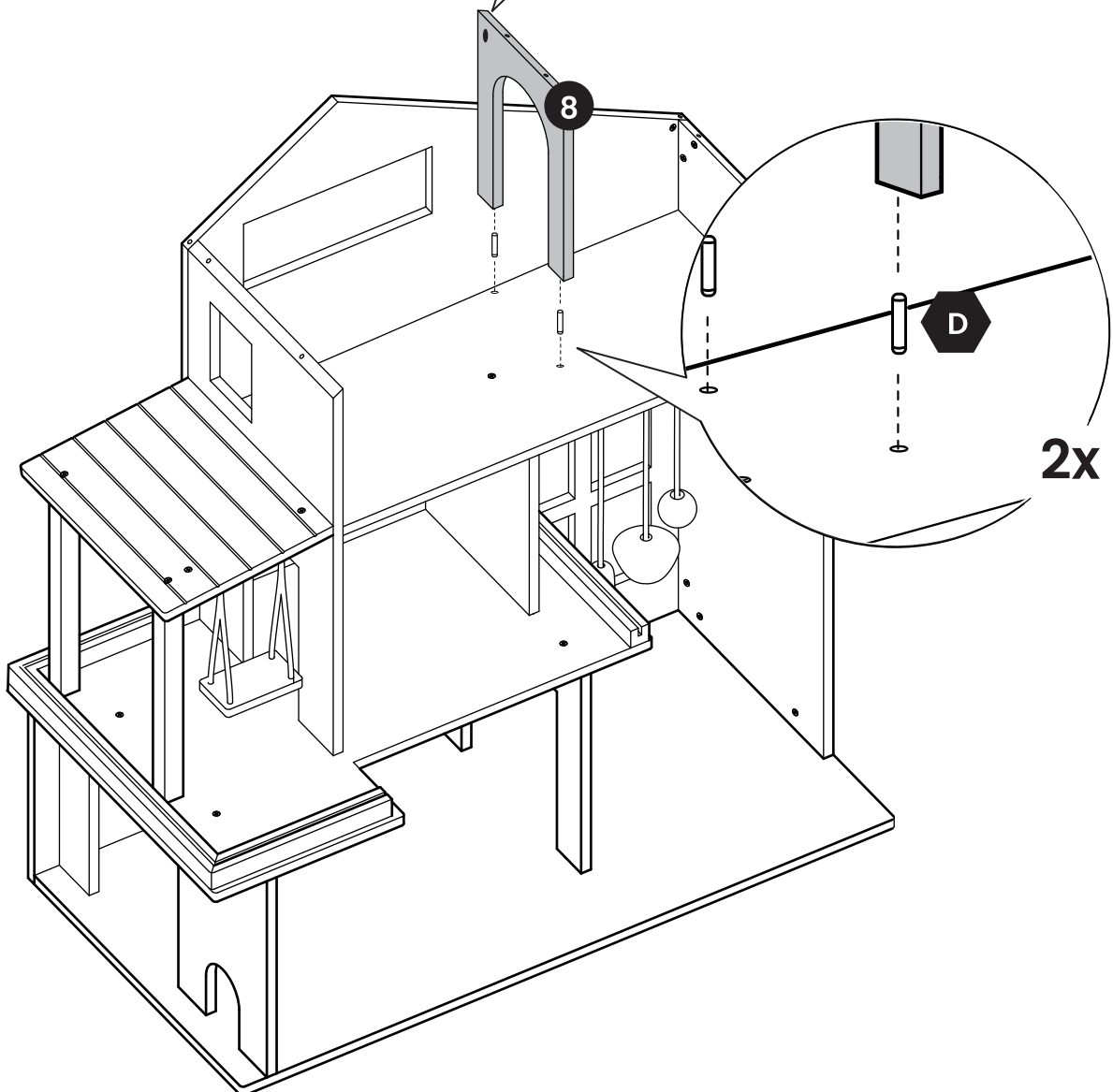


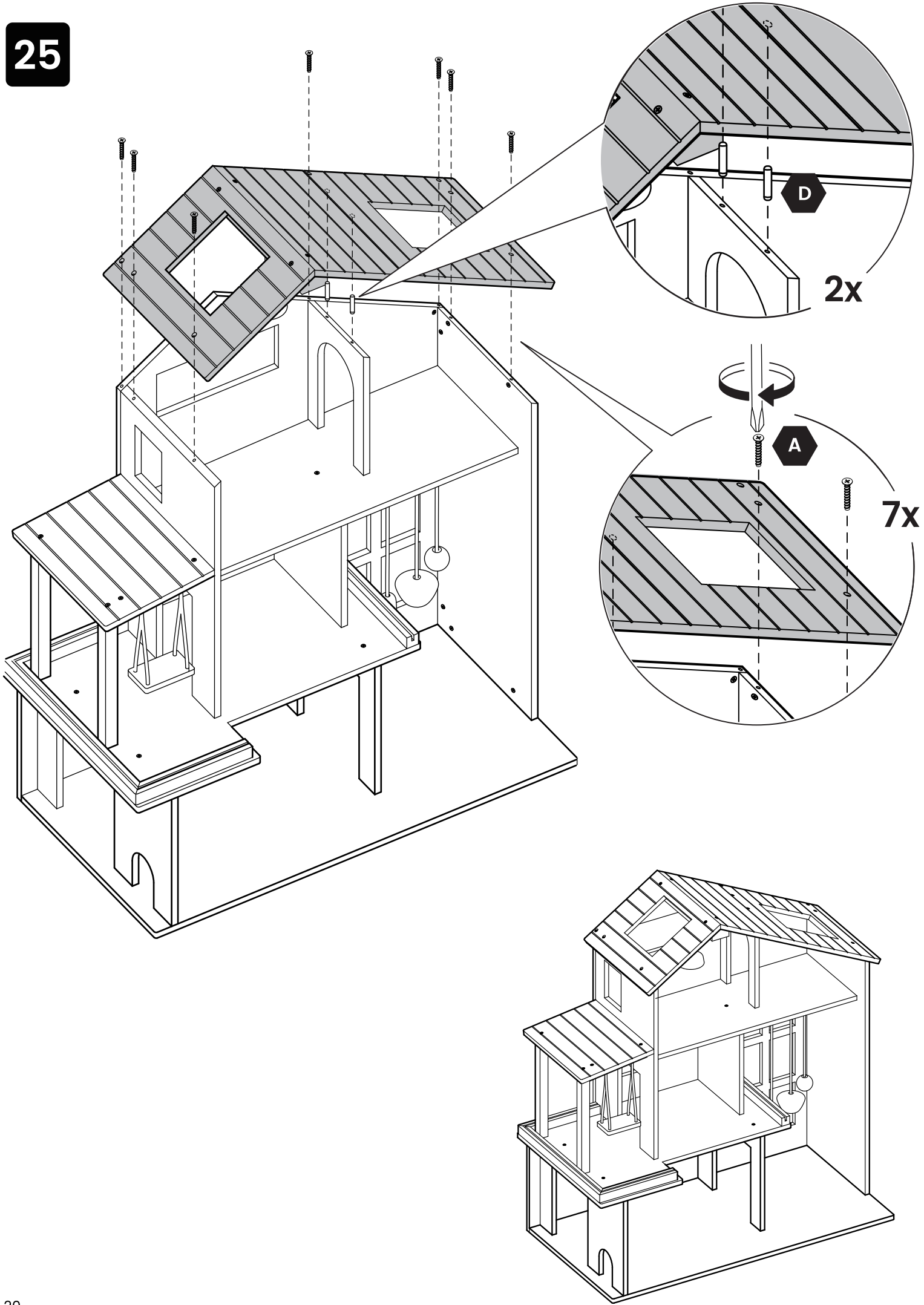
! **Note:**
As shown, refer to the label position of board **19** for installation. The right edges of parts **19** and **12** should be aligned.

23



 **Note:** As shown, refer to the label position of board **8** for installation.



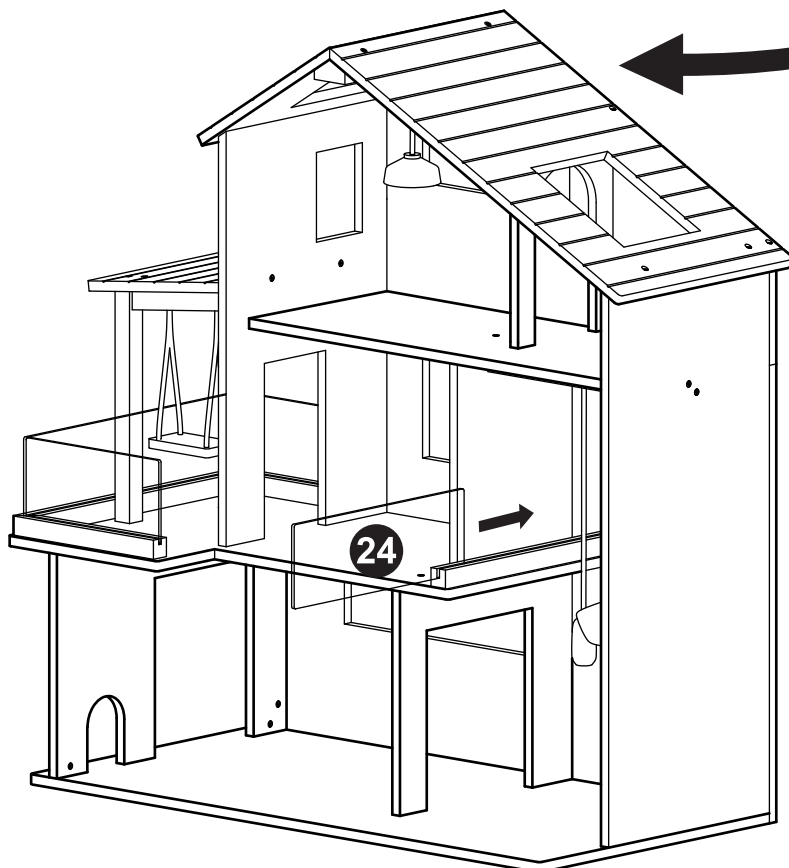
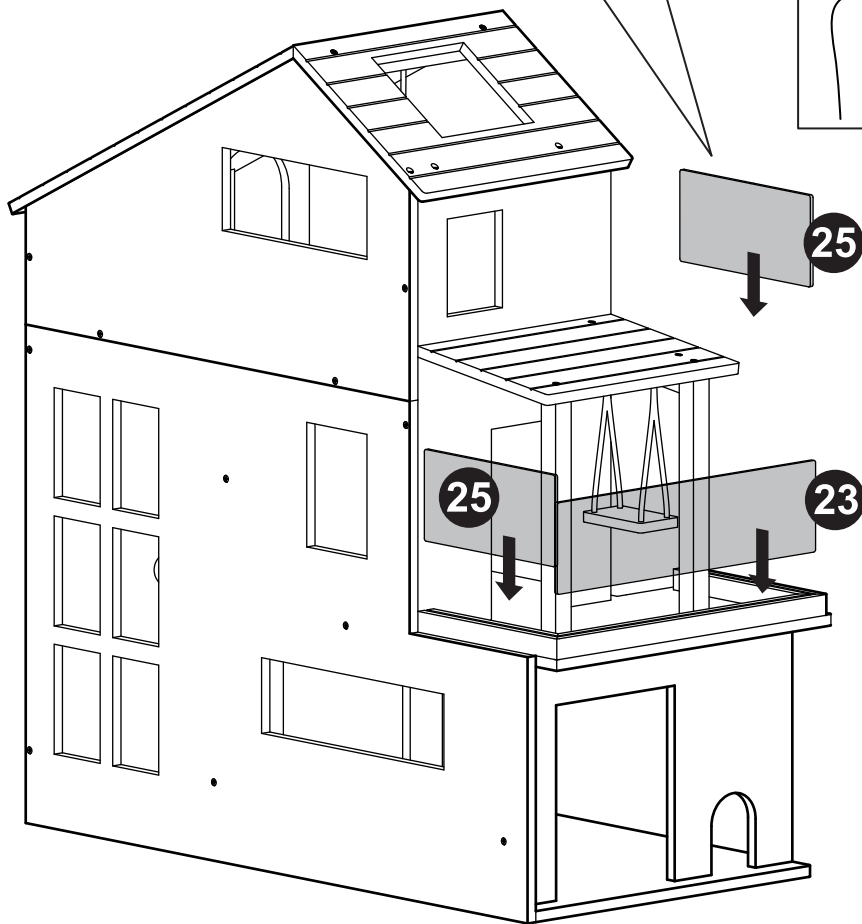
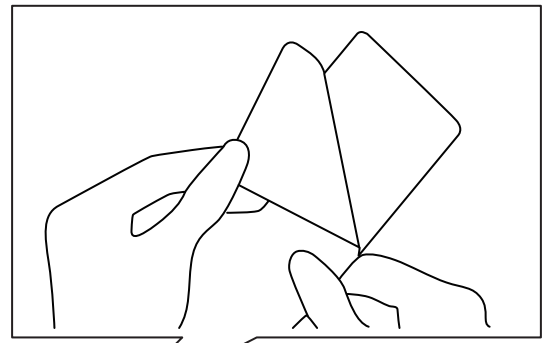


26



Note:

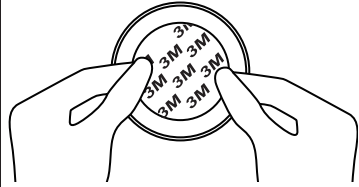
Remove the protective film from parts **23**, **24**, and **25** and then install.



Please adhere the clock, wall painting, and mirror onto their respective positions using round patch as indicated.

9

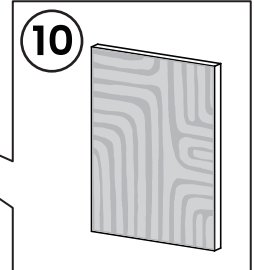
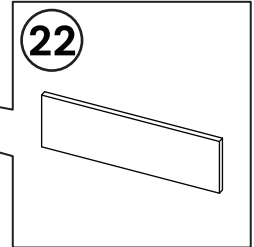
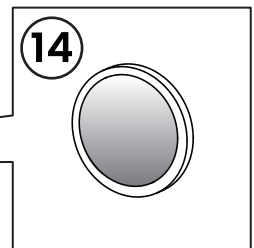
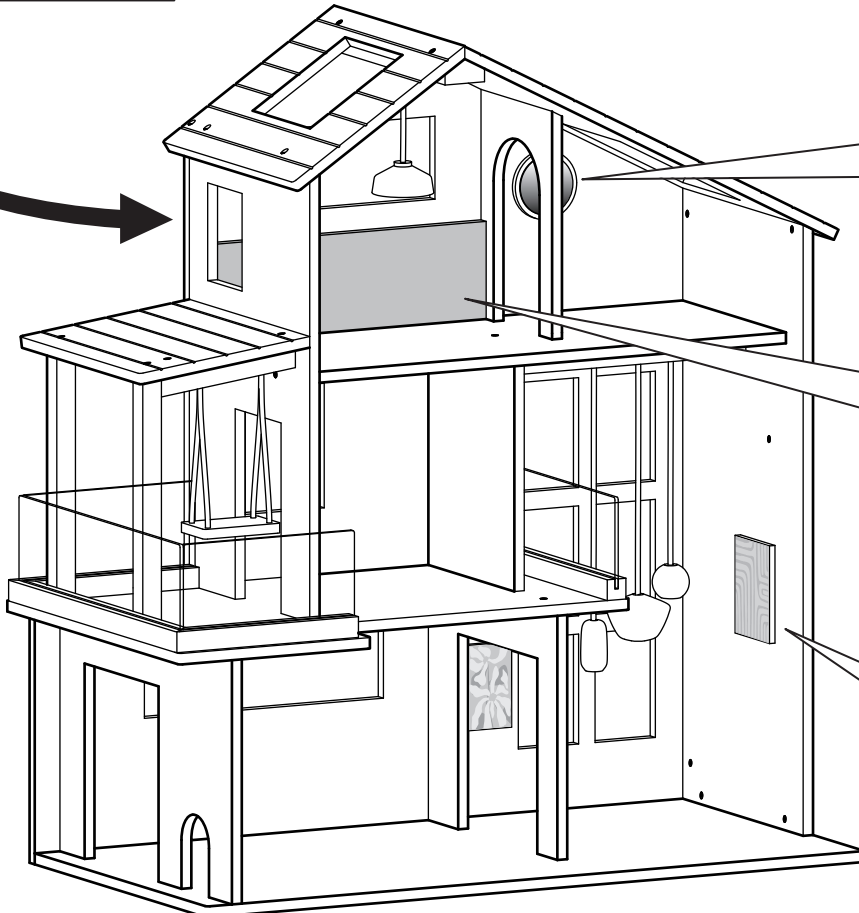
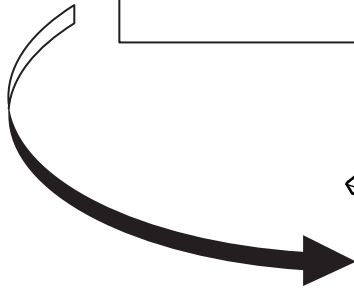
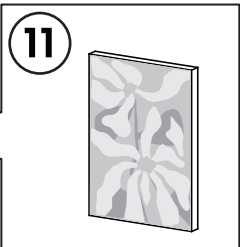
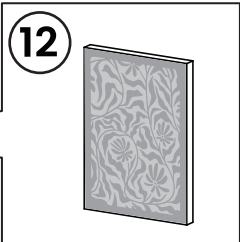
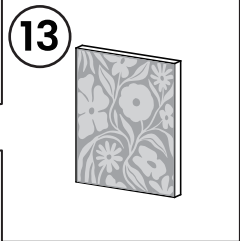
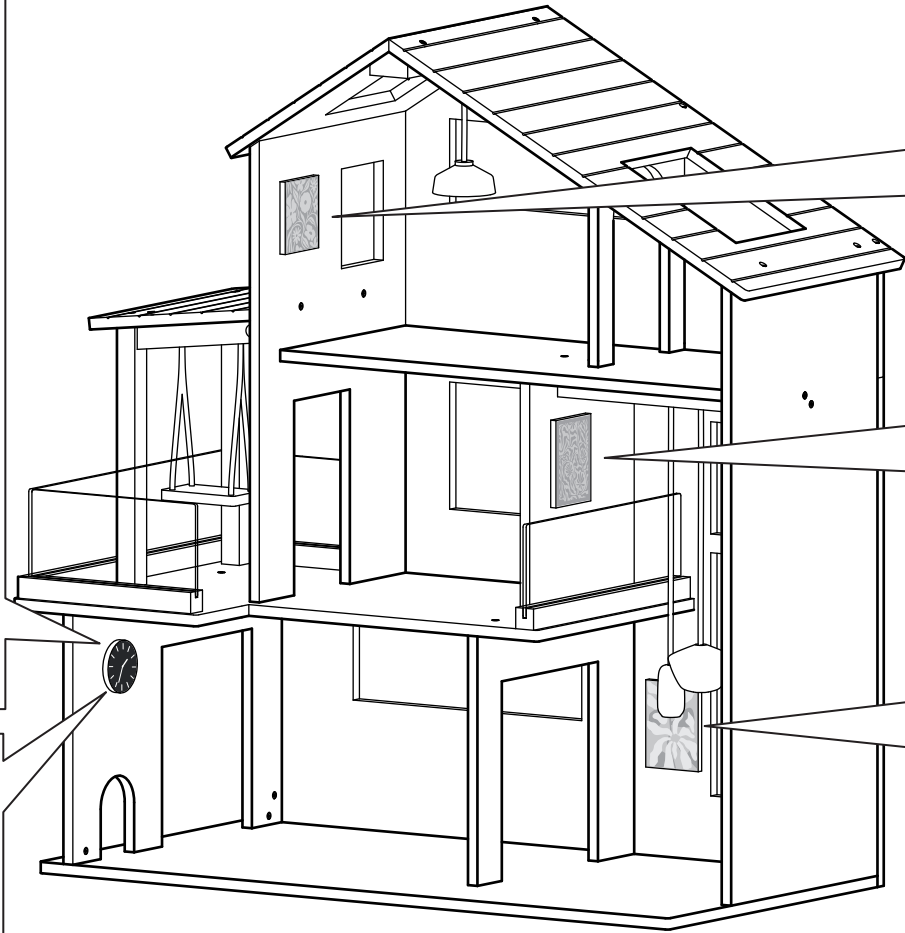
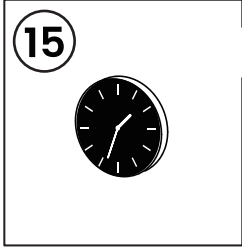
1. Remove the protective film from one side of the sticky patch.

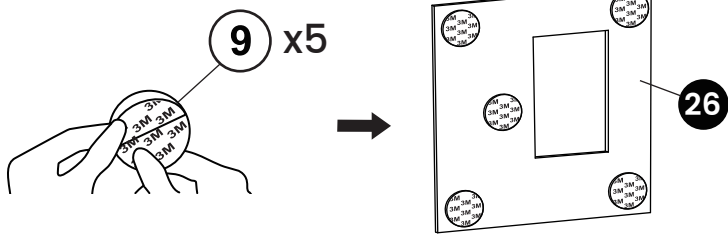


2. Put the sticky patch to the back of the clock.

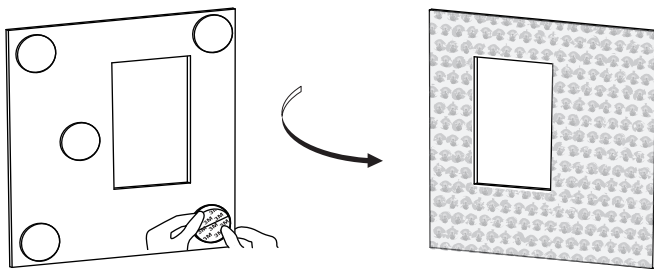


3. Remove the protective film on the other side of the patch and paste it in the corresponding position.

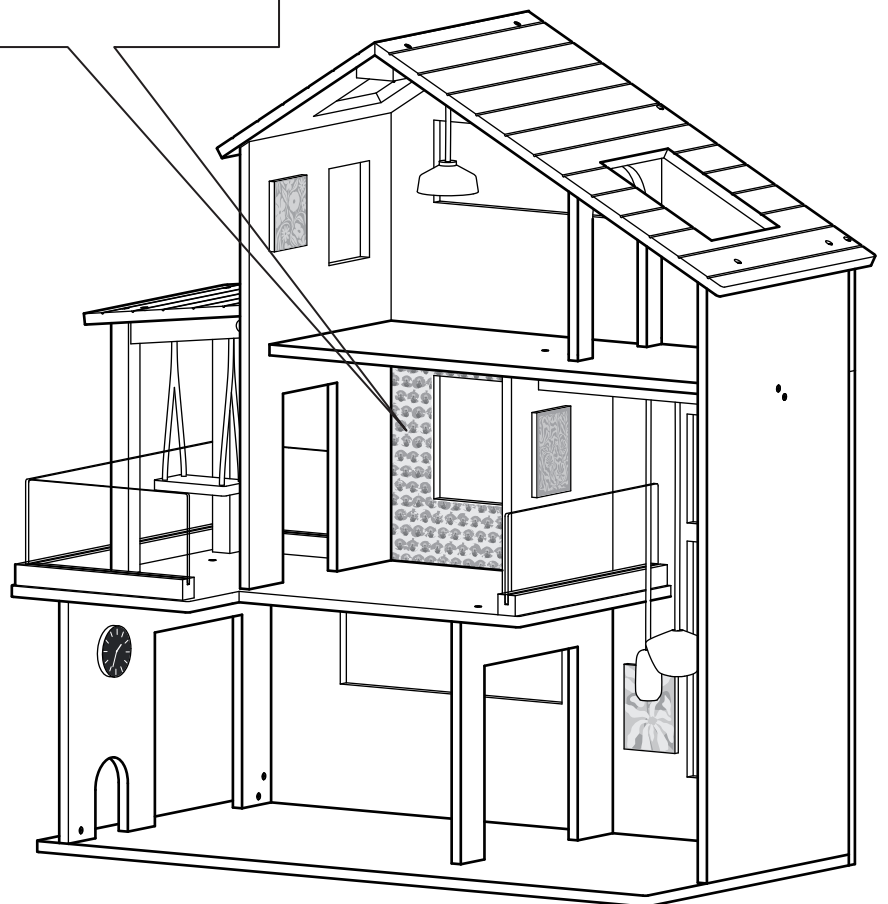




1.Remove the protective film from one side of the sticky patch.
Then put the sticky patch to the back of the part 26 .



2.Remove the protective film from the other side of the patch,
then paste it in the corresponding position.





As shown in the figure,
place the accessories inside and a dreamlike modern doll house is assembled!