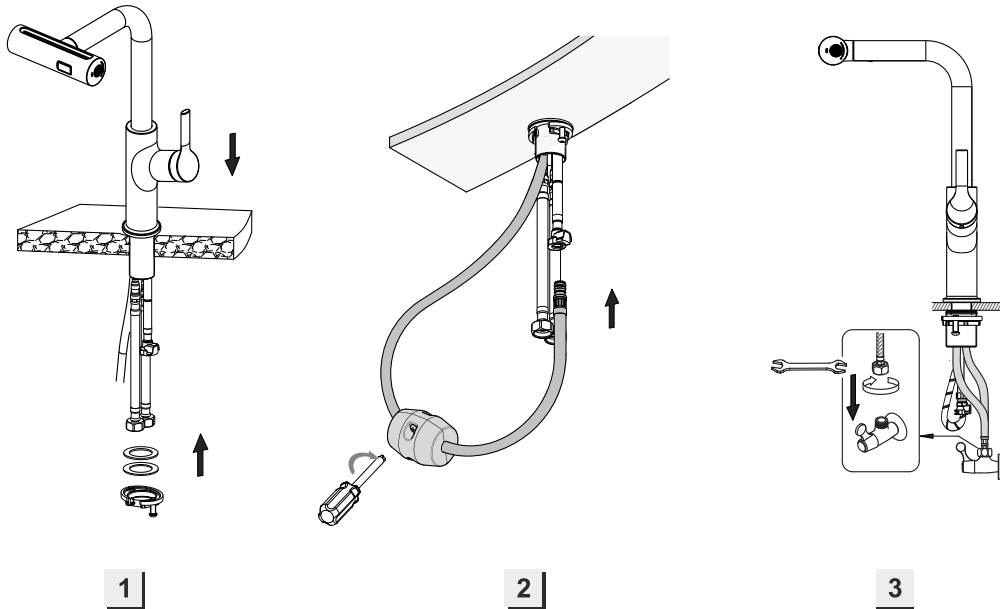


Faucet Installation Instructions

Refer to installation procedure diagram



Installation steps

Tips: Before installation, please confirm that the countertop or sink has a $\varnothing 33\text{-}35\text{mm}$ faucet hole.

1. Remove the fixing assembly at the bottom of the faucet body, and then put the faucet into the faucet hole. The bottom of the body must be padded with a base seal. Finally, screw the fixing assembly onto the screw on the faucet and use the installation tool to strengthen the fixation.
2. Install the gravity ball in the appropriate position of the pull pipe, and then press the pull pipe into the quick connector.
3. Connect the two water inlet hoses on the faucet body to the angle valves of cold and hot water respectively. The red water inlet pipe is connected to hot water, and the blue water inlet pipe is connected to cold water. If there is any connection error, it will be opposite to the red and blue indications on the handle.
4. Turn the faucet handle and test the water to check whether there is water leakage at the connection. Installation is complete.

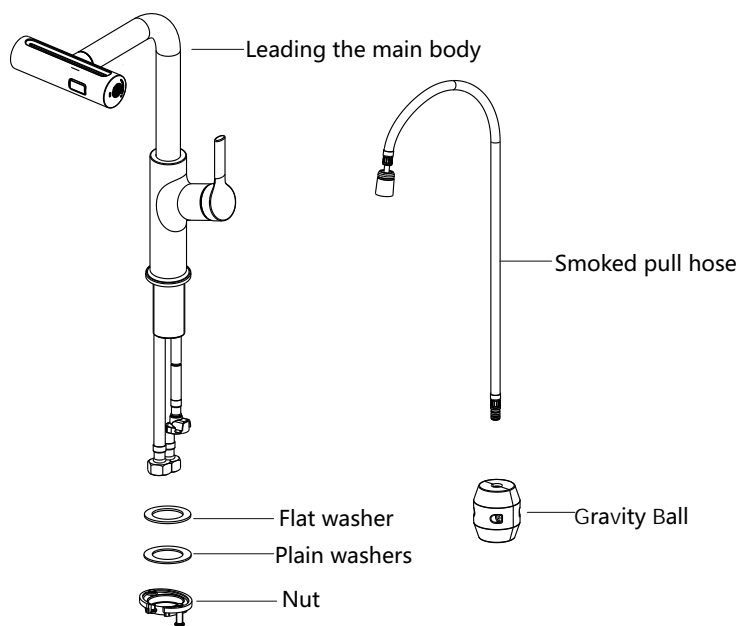
Method of use

1. When the handle is opened upward, the larger the angle, the greater the flow rate; conversely, the smaller the angle, the smaller the flow rate until it is closed.
2. When the handle is opened upward, adjust it to the left to increase the hot water supply; adjust it to the right to increase the cold water supply.

Conditions of use

1. water supply pressure: 0.05-1.0mpa (0.5-10kGF /cm).
2. the ambient temperature should be above 0°C.
3. water supply temperature ≤ 90 °C.
4. The torque at the nut connection shall not be greater than 10Nm.

Product configuration reference diagram



Matters needing attention

1. After opening the product package, please refer to the parts listed in the product configuration reference diagram to check whether the parts are complete. If there are any defects, please contact the local dealer immediately.
2. The installation size of the purchased faucet should match the size of the pre-buried water inlet pipe.
3. The faucet core of the main group has been tested and debugged by the factory. Please do not disassemble or assemble it by yourself.
4. Before installing the faucet, please be sure to remove impurities and soil in the pre-buried water inlet pipe to avoid blockage and affect the water outlet function.
5. After the installation is completed, please turn on the water source first, and then check whether the connection is tight to ensure no leakage.

Maintenance and maintenance

To keep the faucet surface clean and bright, please clean the faucet regularly or periodically:

1. Wash it frequently with clean water and wipe it dry with a soft cotton cloth;
2. Do not use detergents or polishing powders containing coarse particles to avoid abrasion of the product;
3. It is not advisable to use acidic detergents. If you use acidic detergents to wash tiles, you should immediately separate the tiles and utensils to avoid the detergent flowing onto the faucet surface and corroding the faucet.

For heavy cleaning.

1. Use clean water and soft cloth to remove surface dirt and scale film as far as possible.
2. Use any of the following detergent to remove surface dirt and scale film:
Mild liquid cleaner, colorless glass cleaner, non-abrasive and completely soluble Powdered detergent and mix as directed, Non-abrasive polish.
3. After cleaning, remove all cleaning agents with clean water and wipe dry with soft cotton cloth.