

Sectional Left

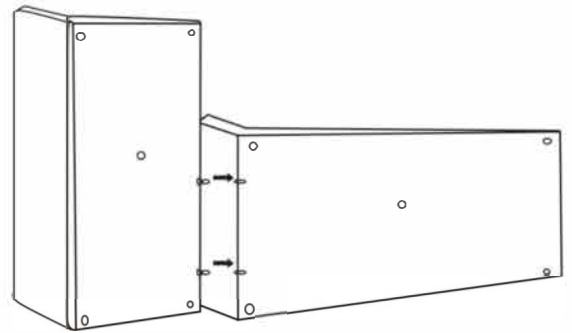
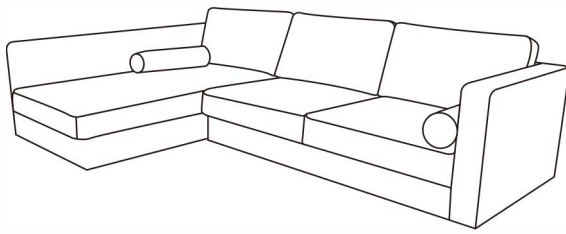


10PCS

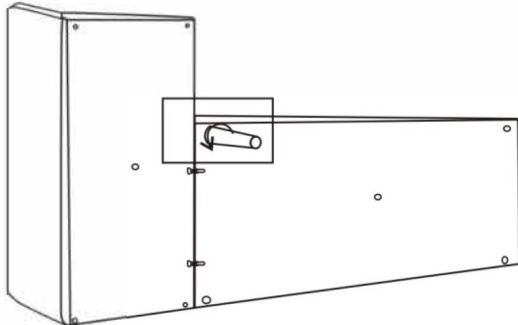
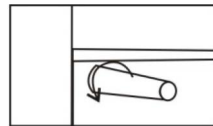


2PCS

STEP 1



STEP 2



STEP 3

