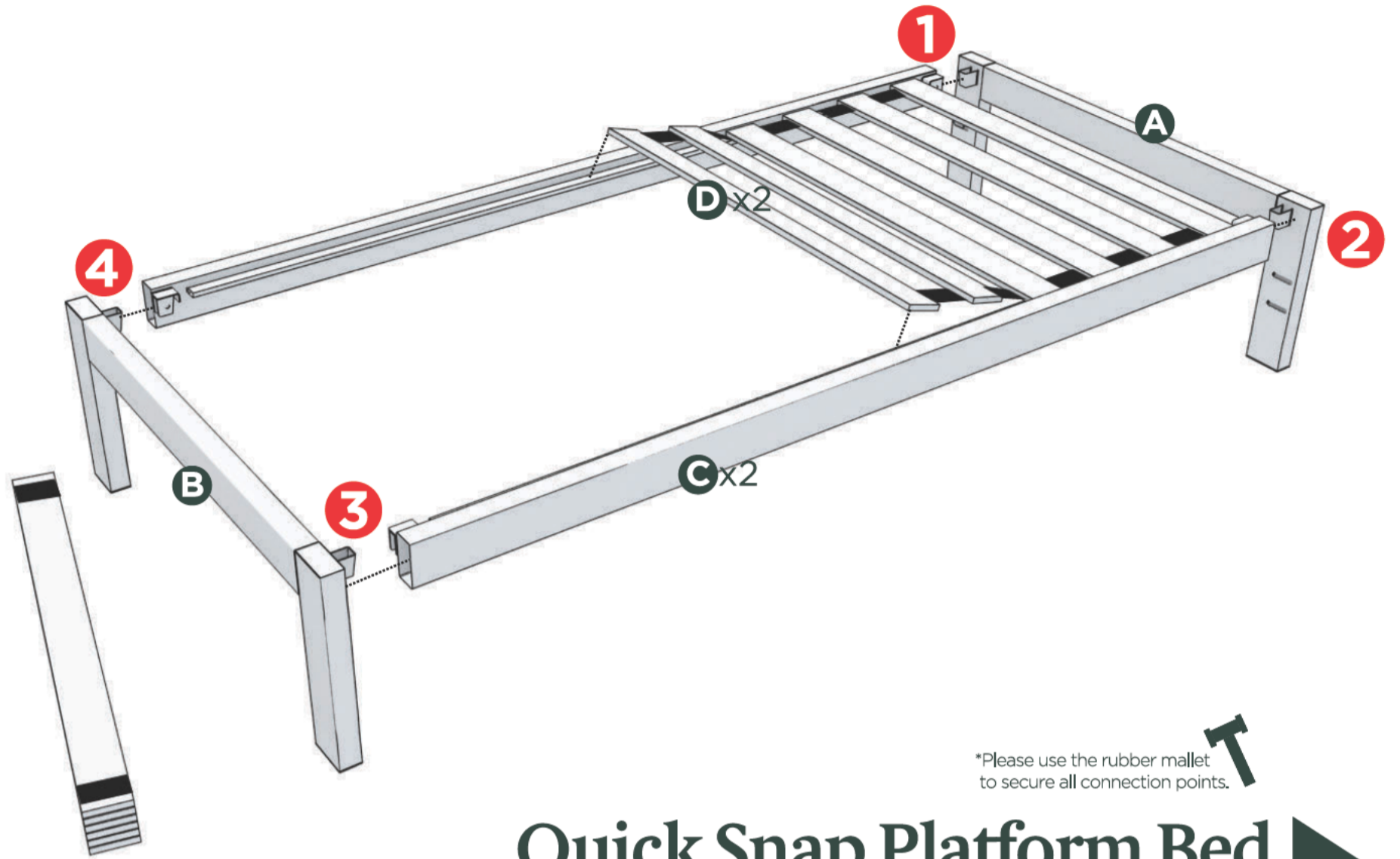


Numbering System
Easy assembly by following 1,2,3...



Quick Snap Platform Bed

Twin

Components



A x 1 pc



B x 1 pc



C x 2 pcs



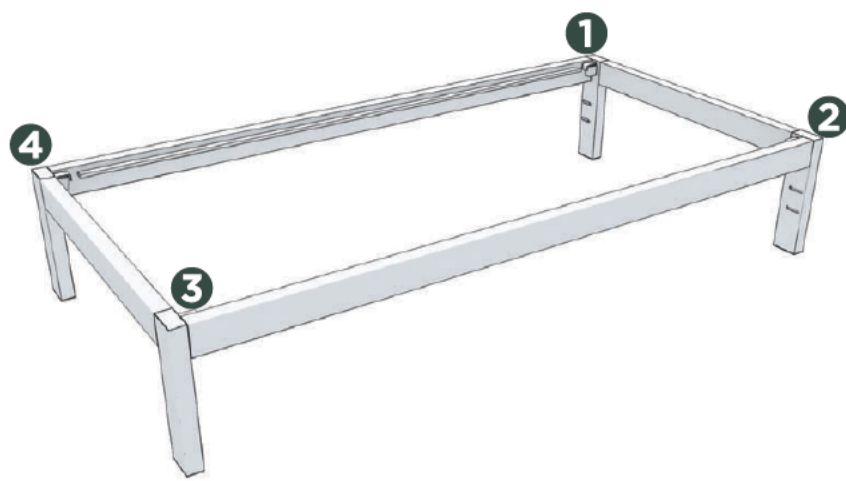
D x 2 pcs

Easy as 1 2 3

Assembly Instruction

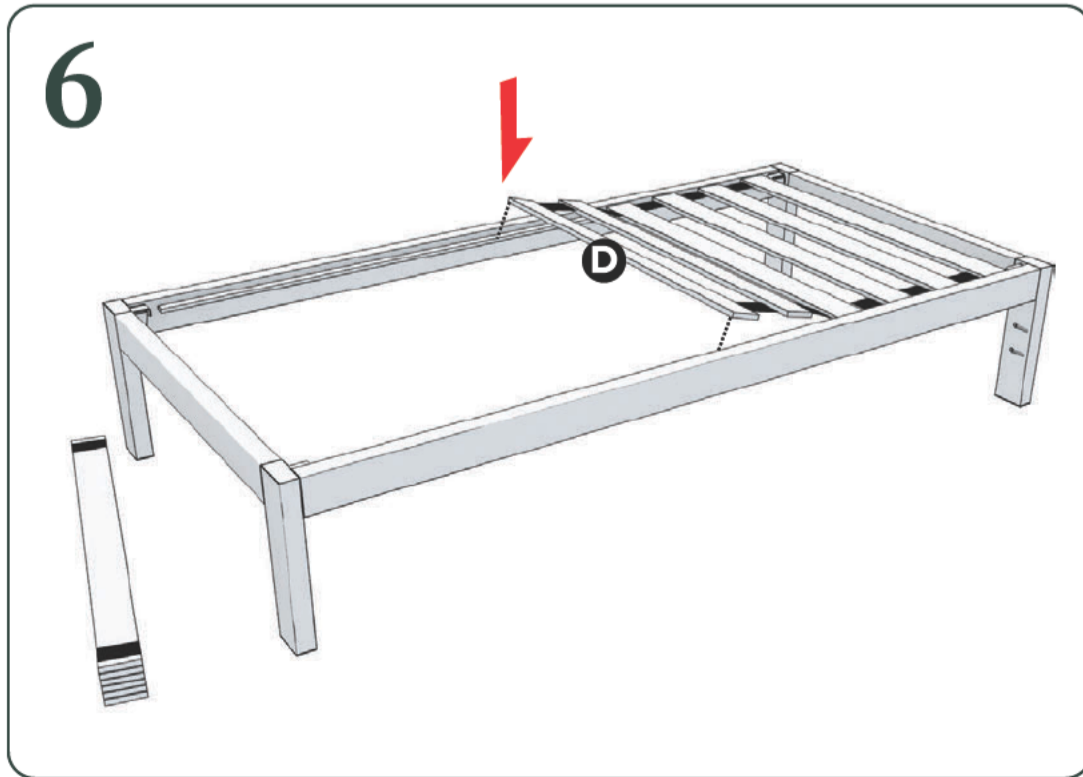
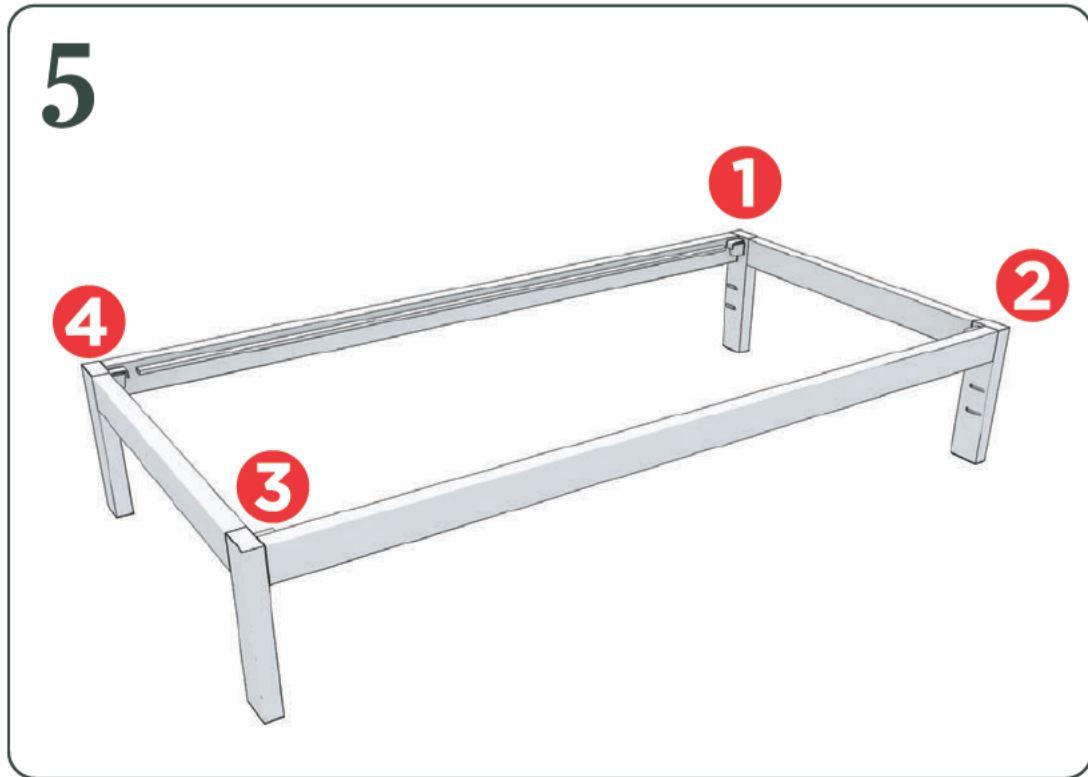
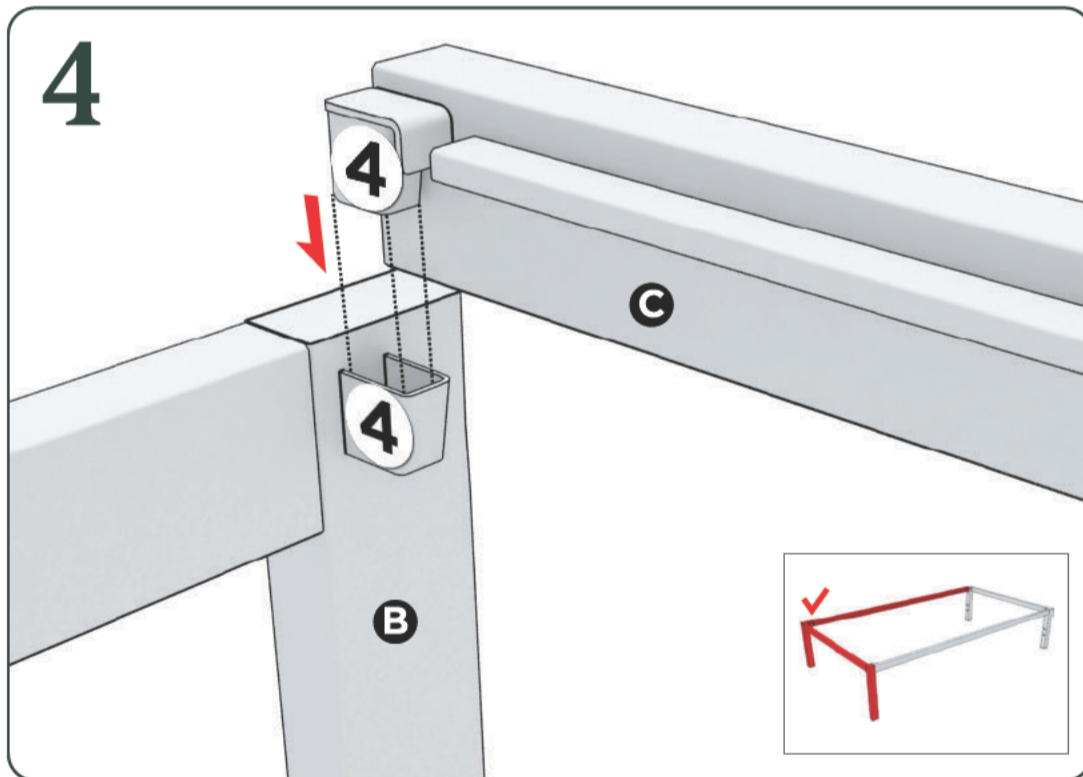
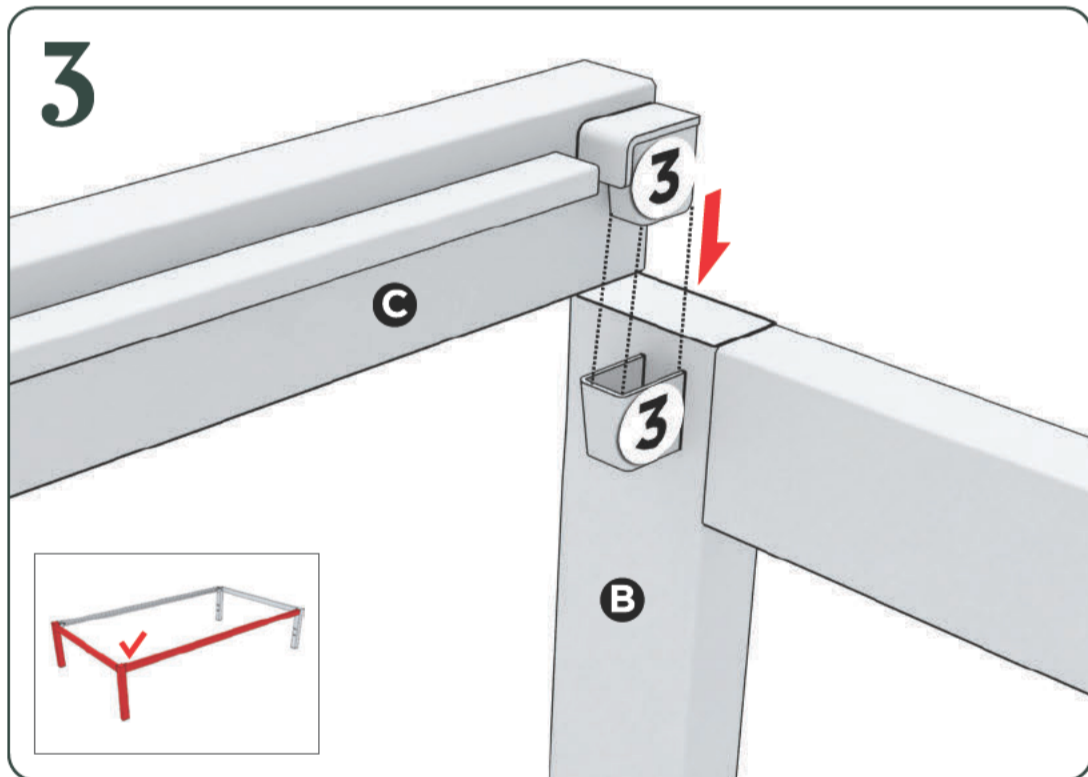
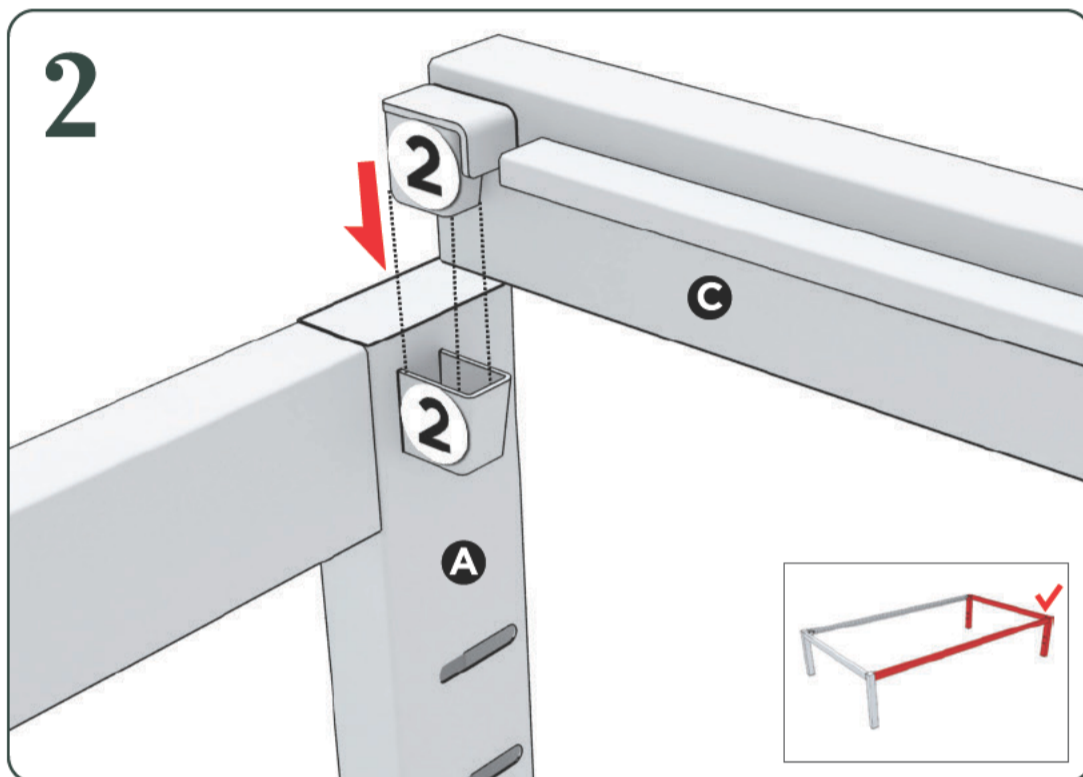
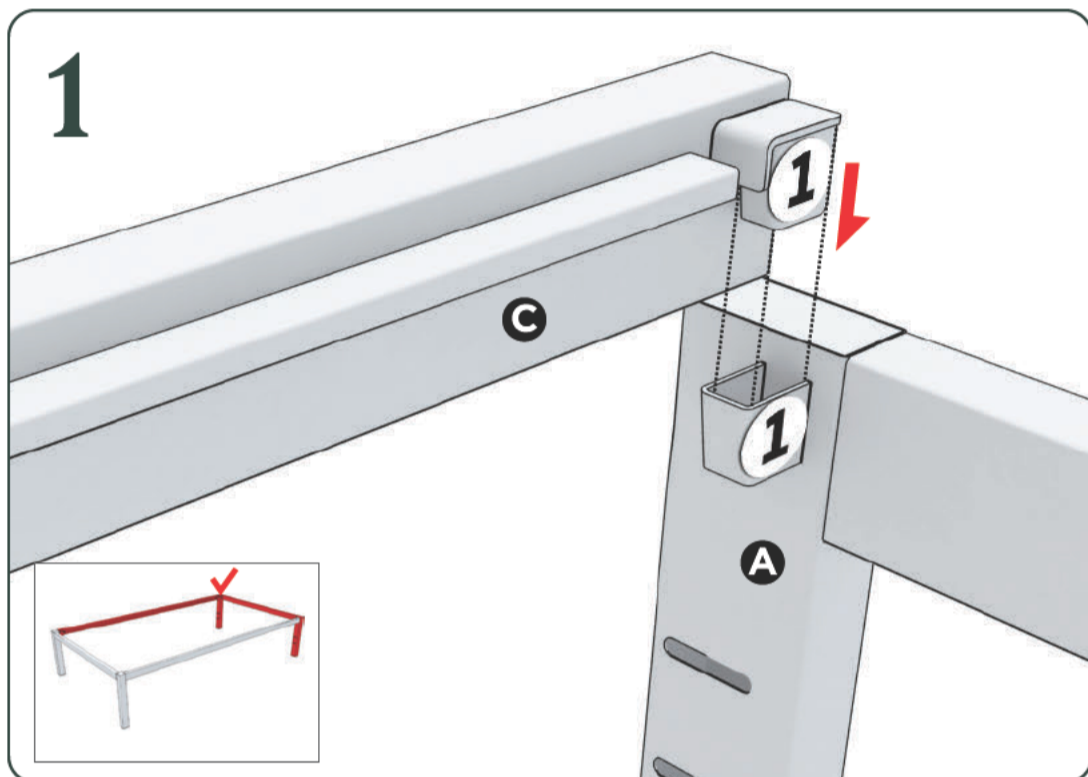
Numbers must Match for Secure Assembly

1 2 3 4

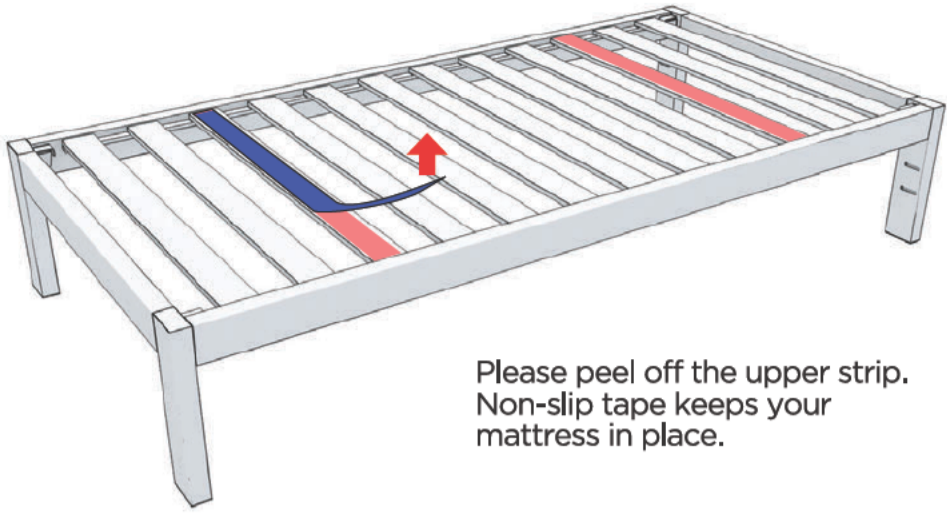


Quick Snap Platform Bed

Twin



7



Please peel off the upper strip.
Non-slip tape keeps your
mattress in place.

8

