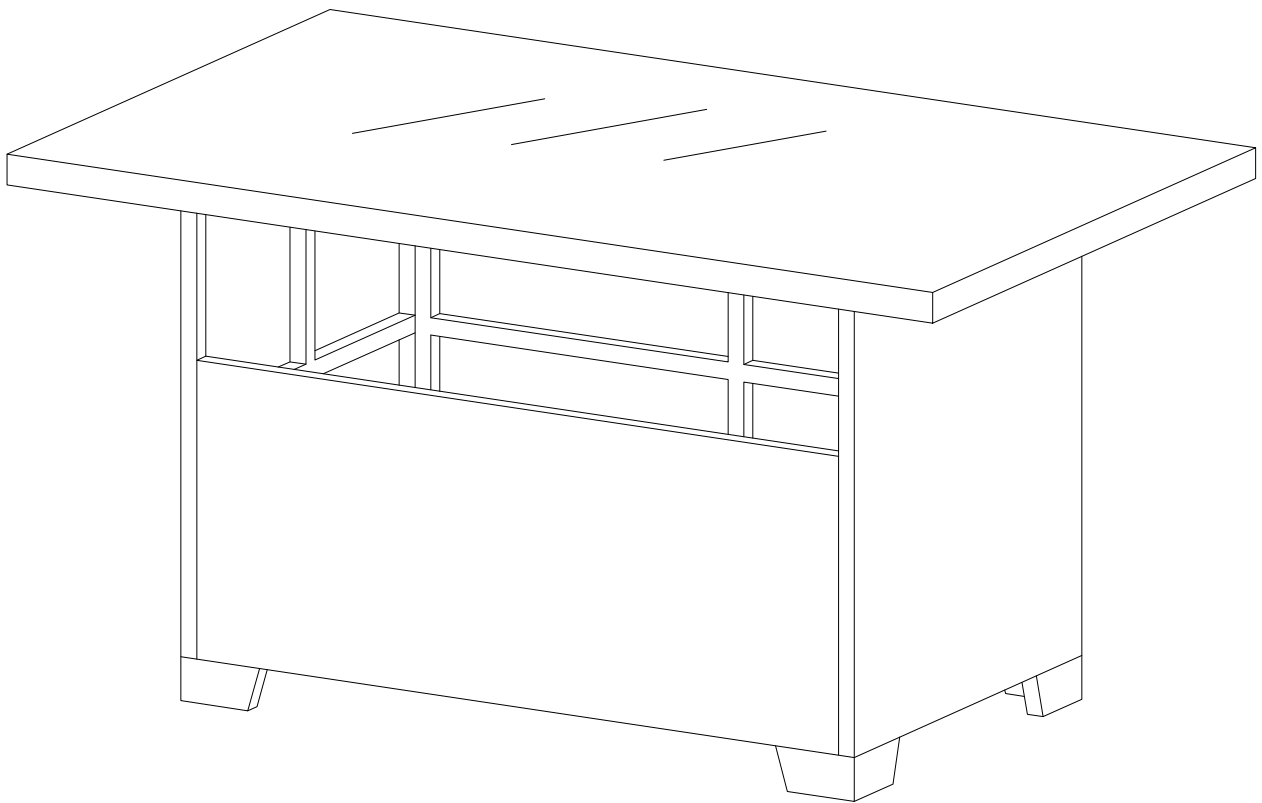
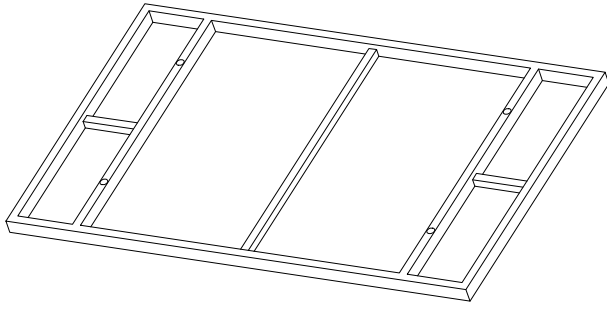


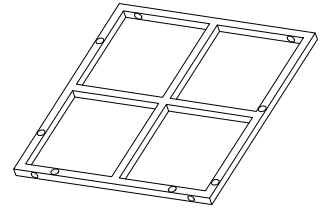
# Storage Glass Table



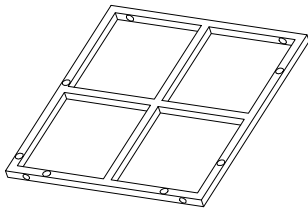
- a. Opening, please check the parts. In case of broken glass, please avoid scratching your fingers! Any defect or missing, contact us in time.
- b. Advisable to assemble on the mat to avoid wear and tear. Avoid all sharp objects touching the product surface. Do not allow the children to play around.
- c. Do not tighten all screws entirely until assemble is completed. Power tools are available, don't over-tighten for strip threads.
- d. **The screws fixed table bottom located outside, Step 4 involved.** Any problems assembling, contact us in time!



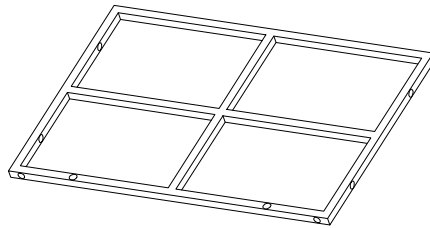
A: table top  
1 pcs



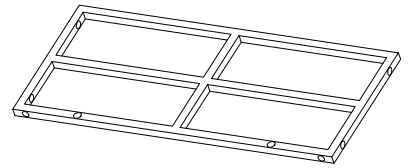
B: right side board  
1 pcs



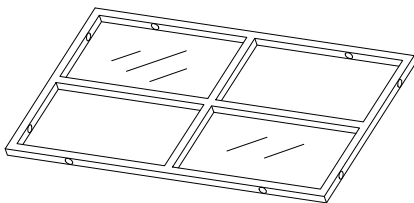
C: left side board  
1 pcs



D: back screen  
1 pcs



E: front screen  
1 pcs



F: table bottom(outside)  
1 pcs

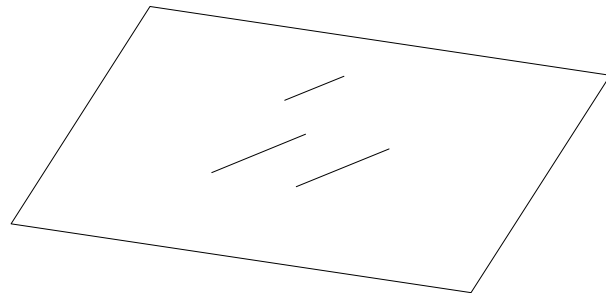
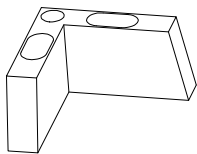
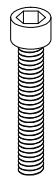


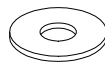
table glass  
1 pcs



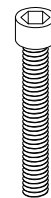
J: sofa foot  
4 pcs



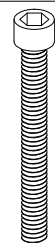
R: screw M6\*30mm  
8 pcs



S: shim  $\varnothing 16*6.4*1$   
20 pcs



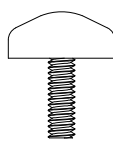
T: screw M6\*35mm  
12 pcs



X: screw M6\*45mm  
8 pcs



Y: shim  $\varnothing 11*6.2*1$   
8 pcs



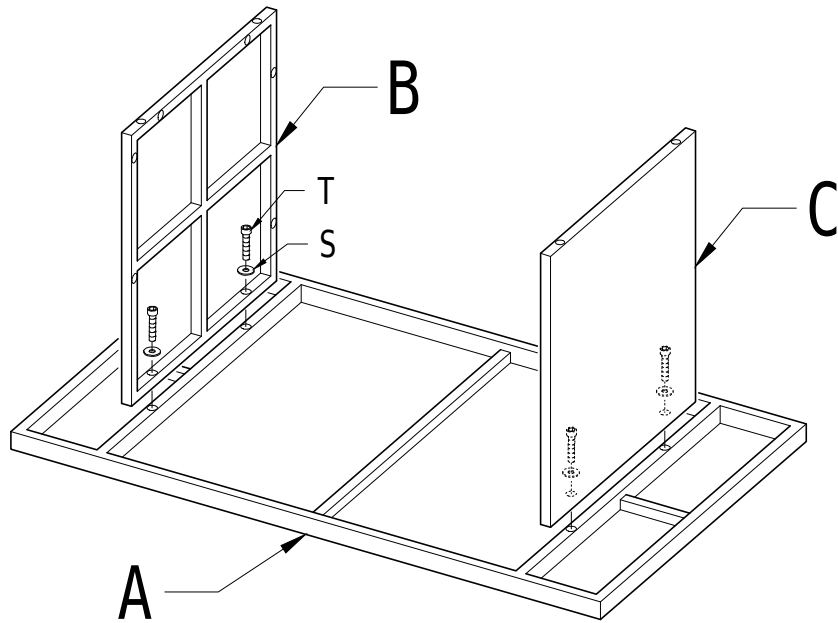
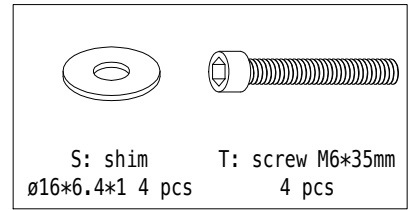
Z: adjustable screw  
4 pcs



Inner hexagon spanner  
1 pcs

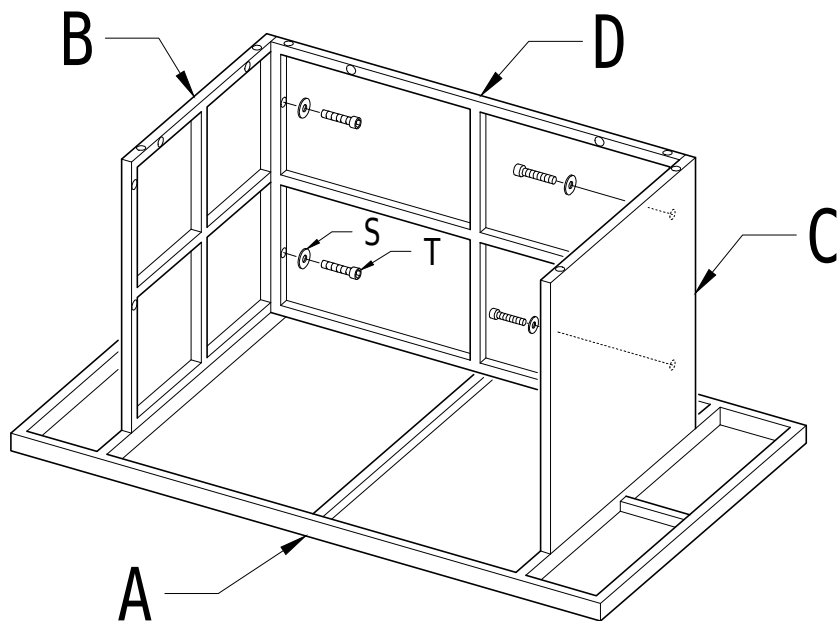
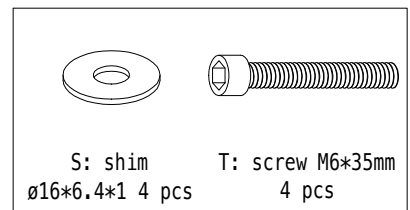
# Step 1

A x 1, B x 1, C x 1



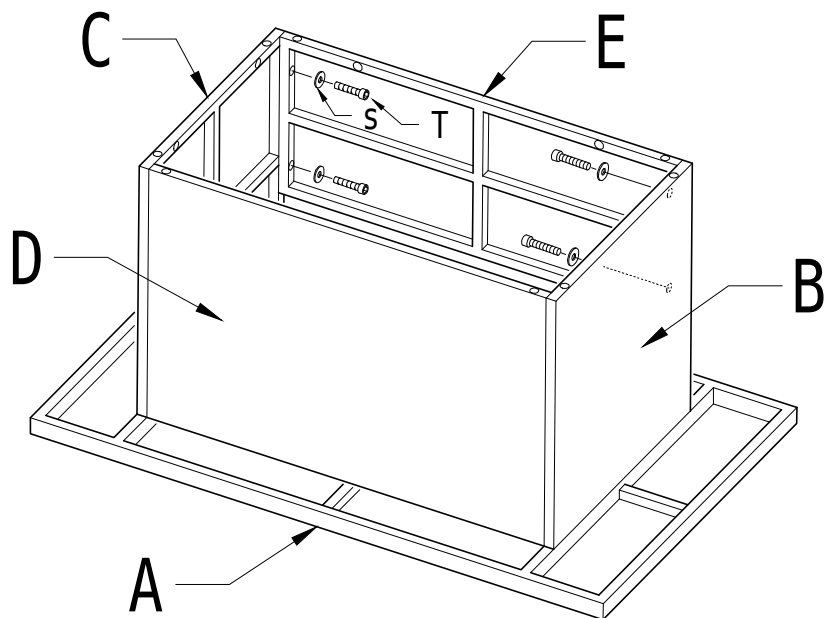
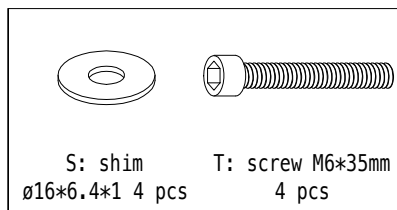
# Step 2

D x 1



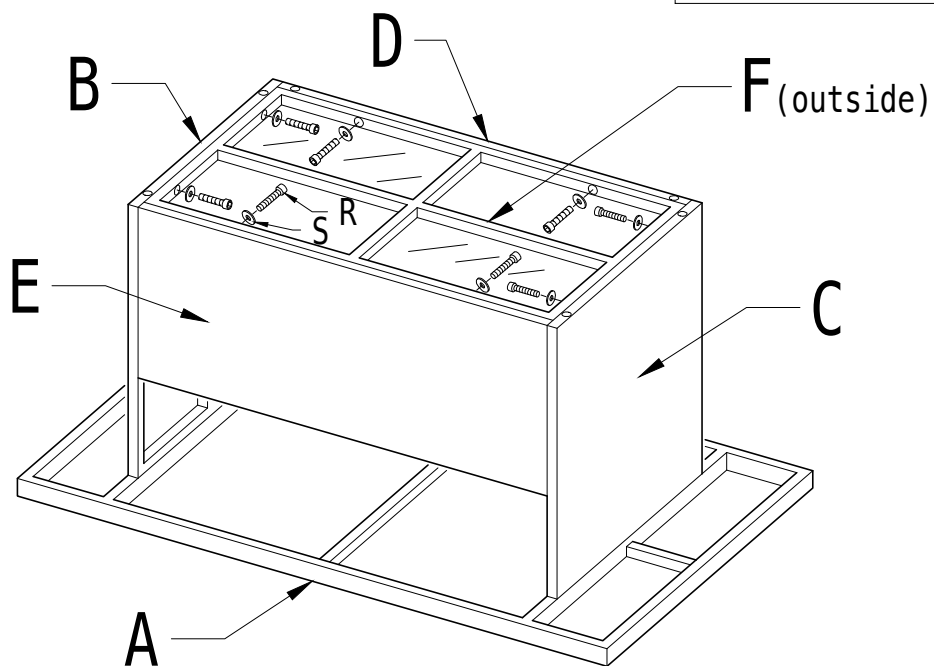
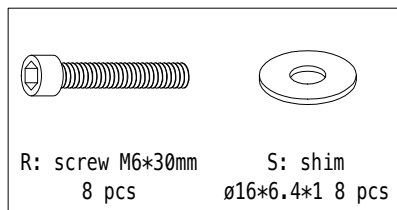
# Step 3

E x 1



# Step 4

F x 1



# Step 5

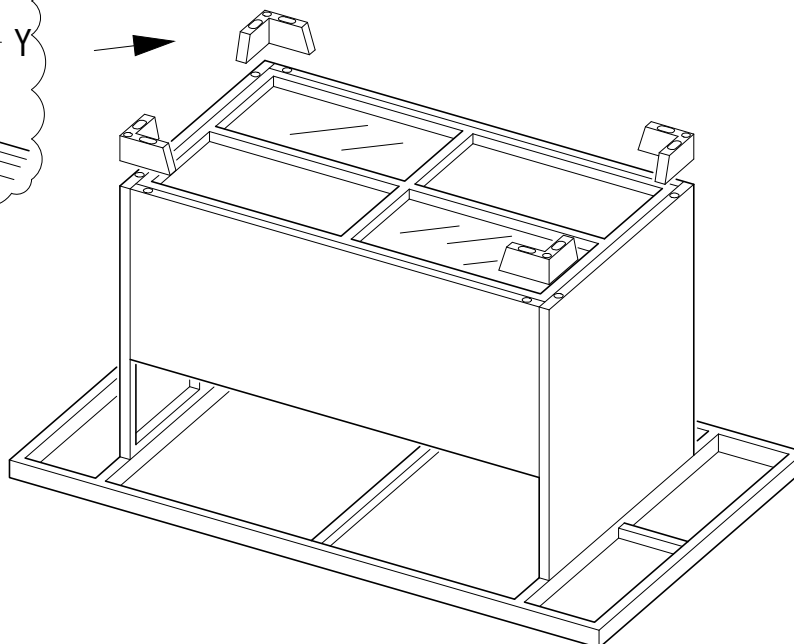
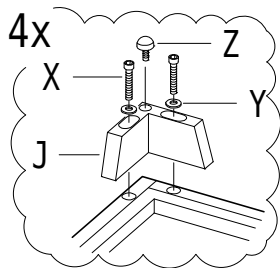
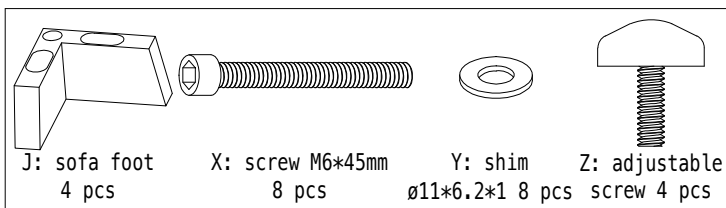


table glass

