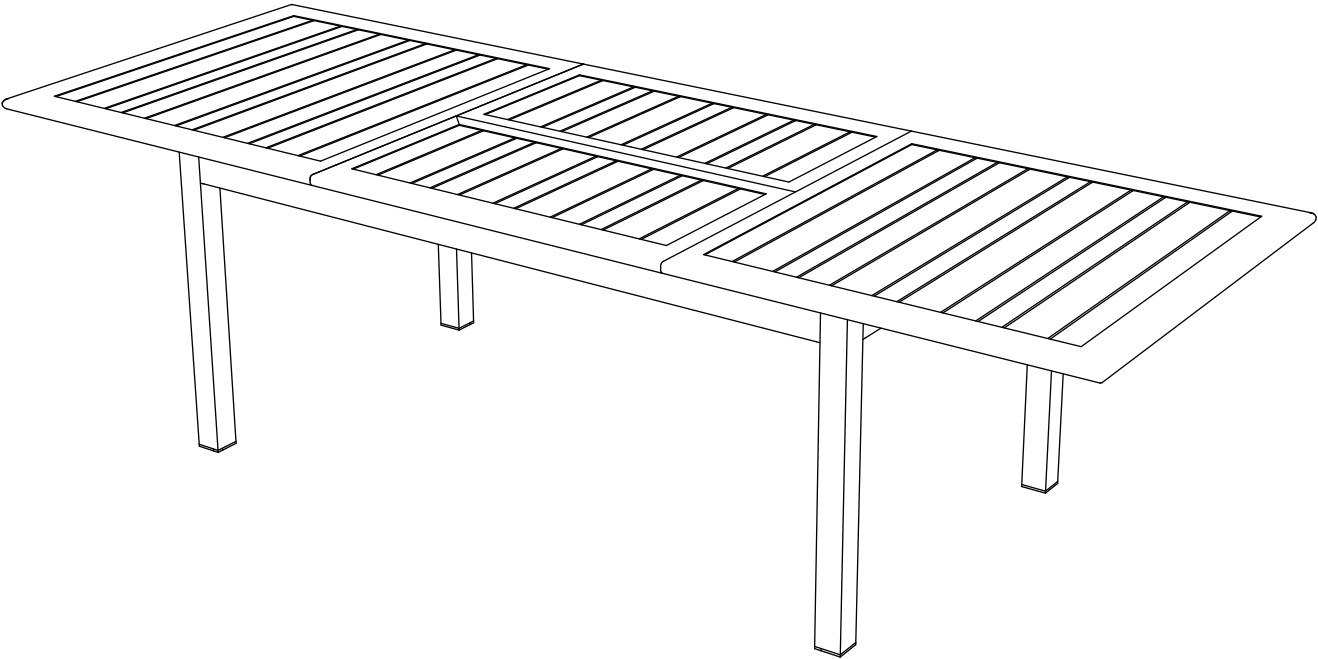
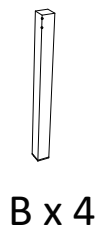
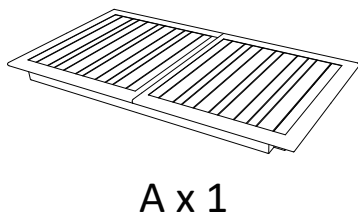
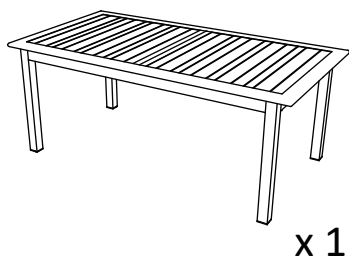
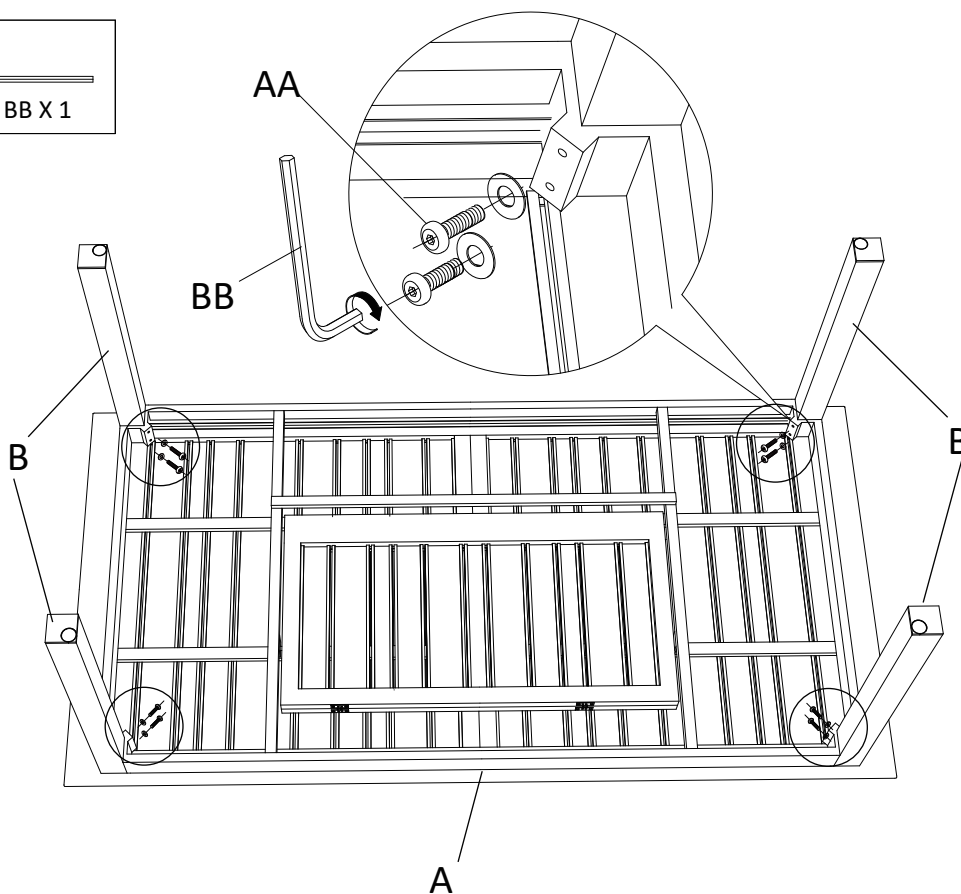
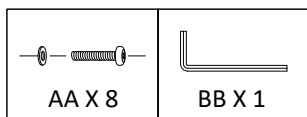
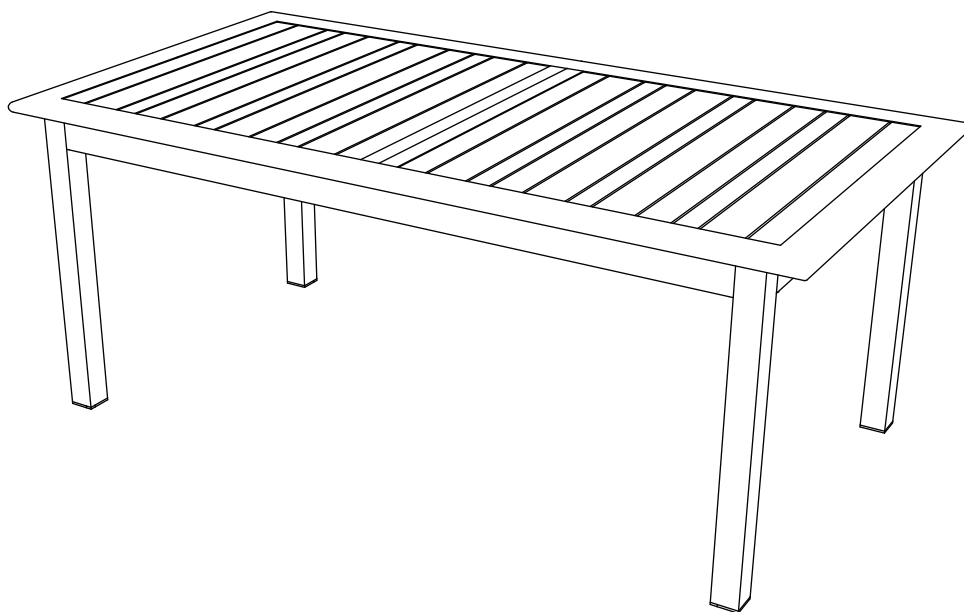


Extendable Aluminum Dining Table

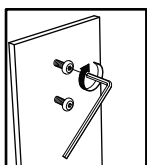
Assembly Instructions

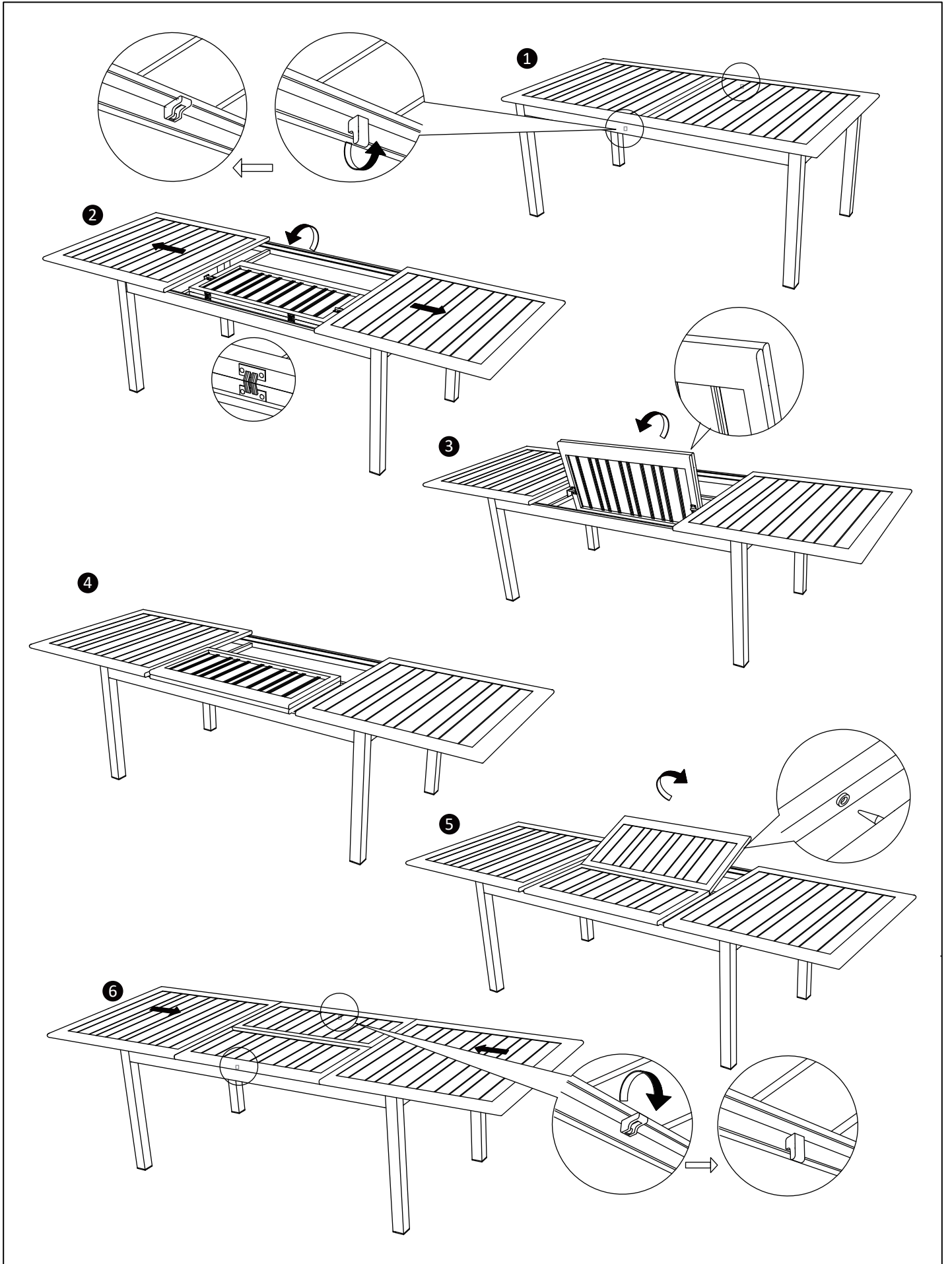


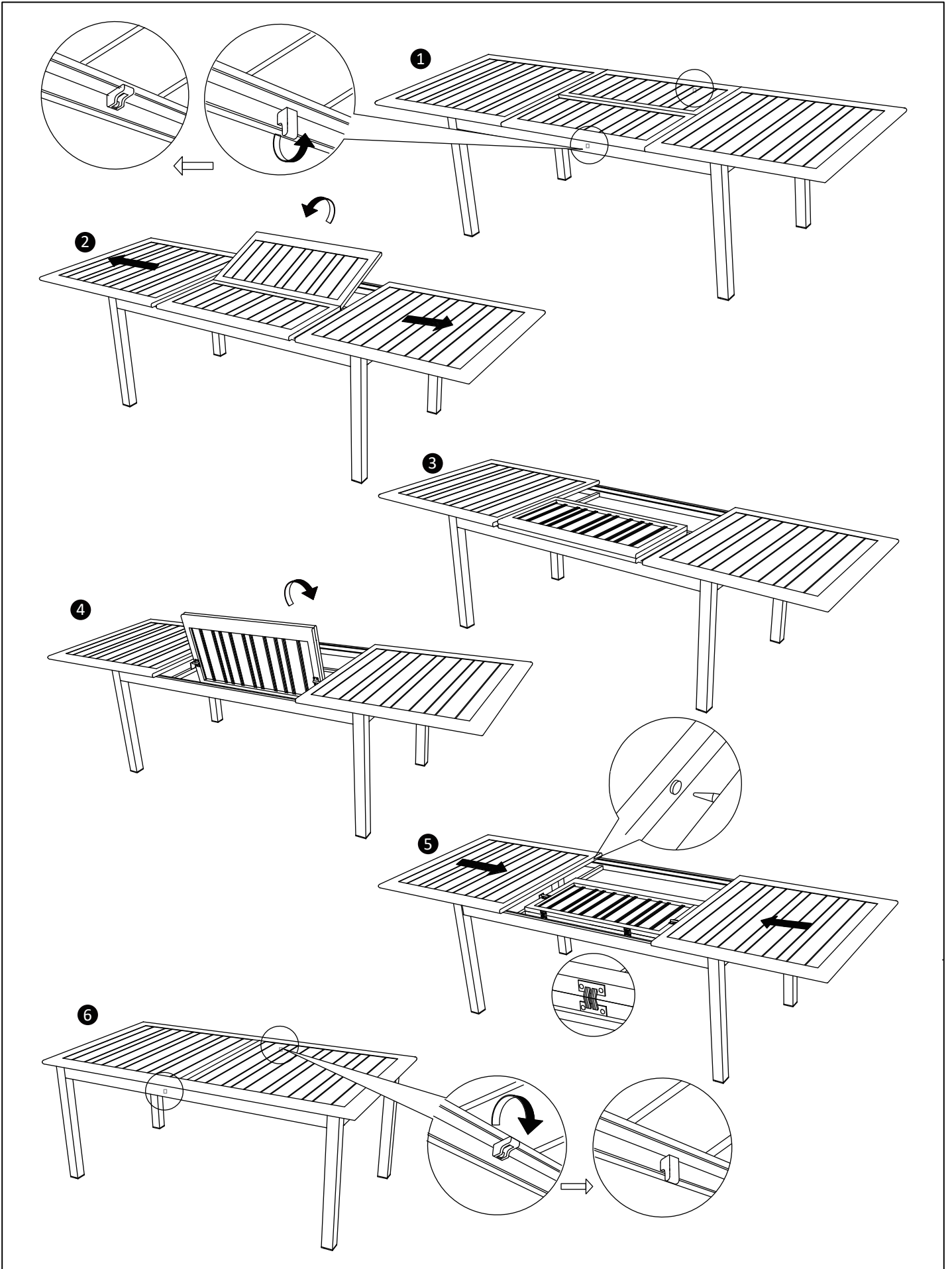




100%







HELP CENTER

Question about your product? We're here to help. Contact us:



Chat Support



Product Inquiry



Orders FAQ



Product Assembly



Returns & Refunds

PRODUCT WARRANTY INFORMATION

All items can be returned for any reason within 30 days of the receipt and will receive the refund as long as the item is returned in its original product packaging and all accessories from its original shipment are included.

All returns must be shipped back to the Return Center at the customer's expense. If the reason for return is a result of an error by us then we will provide a pre-paid shipping label via email. Once an item has been received by us, refunds or replacements will be processed within 5 business days. Boxes for return shipping will not be provided by us, and it is the customer's responsibility to either use the original shipping boxes or purchase new boxes.

Pictures may be required for some returns to ensure an item is not damaged before its return. Items returned are not considered undamaged until they are received by us and verified as such. All damages to items are the customer's responsibility until the item has been received by and acknowledged by us as undamaged.

WARNING

Manufacturer and seller expressly disclaim any liability for personal injury, property damage, or loss, whether direct, indirect, or incidental, resulting from the incorrect attachment, improper use, inadequate maintenance, or neglect of this product.