





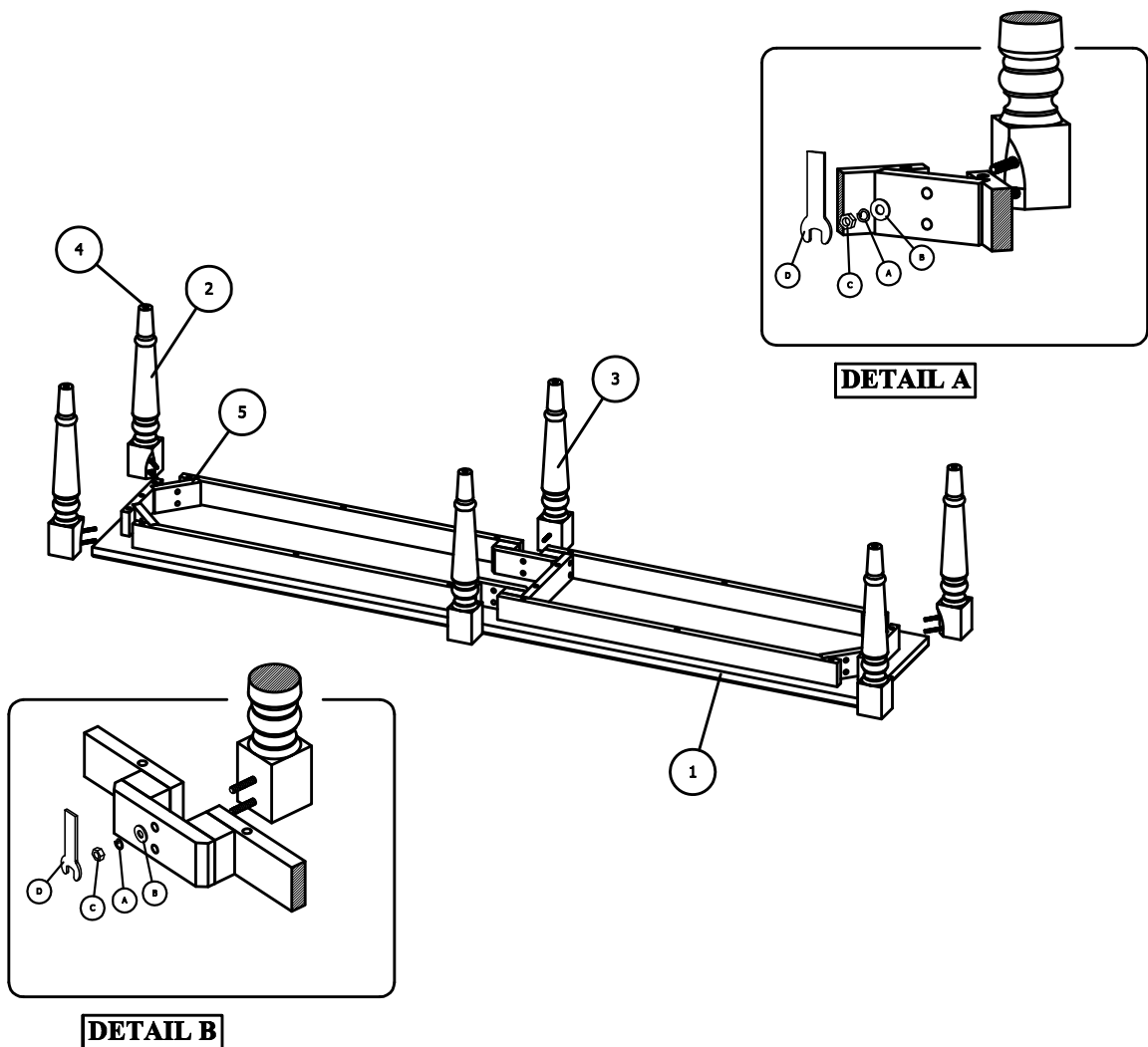
ASSEMBLY INSTRUCTIONS

BENCH

Thank you for purchasing this quality product. Be sure to check all packing material carefully for small parts that may have come loose inside the carton during shipment.

Hardware kit			
No		Description	Q'Ty
A		Lock Washer Ø8	12 pcs
B		Flat Washer Ø8	12 pcs
C		Nut ØM8	12 pcs
D		Key wrench	1 pc

Key Parts			
No		Description	Q'Ty
1		Bench Seat	1 pc
2		Bench Corner Leg	4 pcs
3		Bench Middle Leg	2 pcs
4		Floor Glide	4 pcs
5		Corner Block	4 pcs



STEP 1

- Carefully lay Bench Seat upside down on a smooth flat surface to prevent scratches.
- Attach each Leg to each corner of the Table Top as shown in illustration. Insert a Flat Washer, Lock Washer and Nut on to the insert nut of each Leg
- Once all Legs are in place, fully tighten nuts by turning clockwise using provided Key Wrench until secure. See (Detail A) and (Detail B)