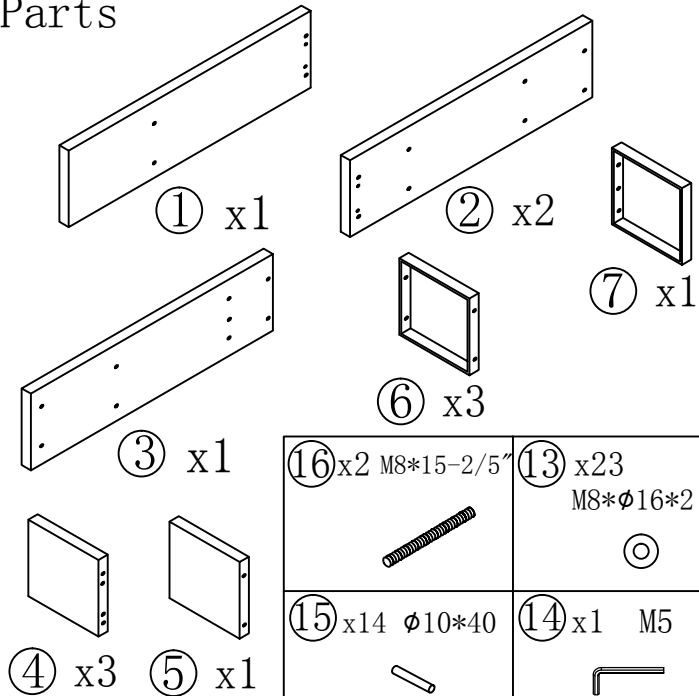
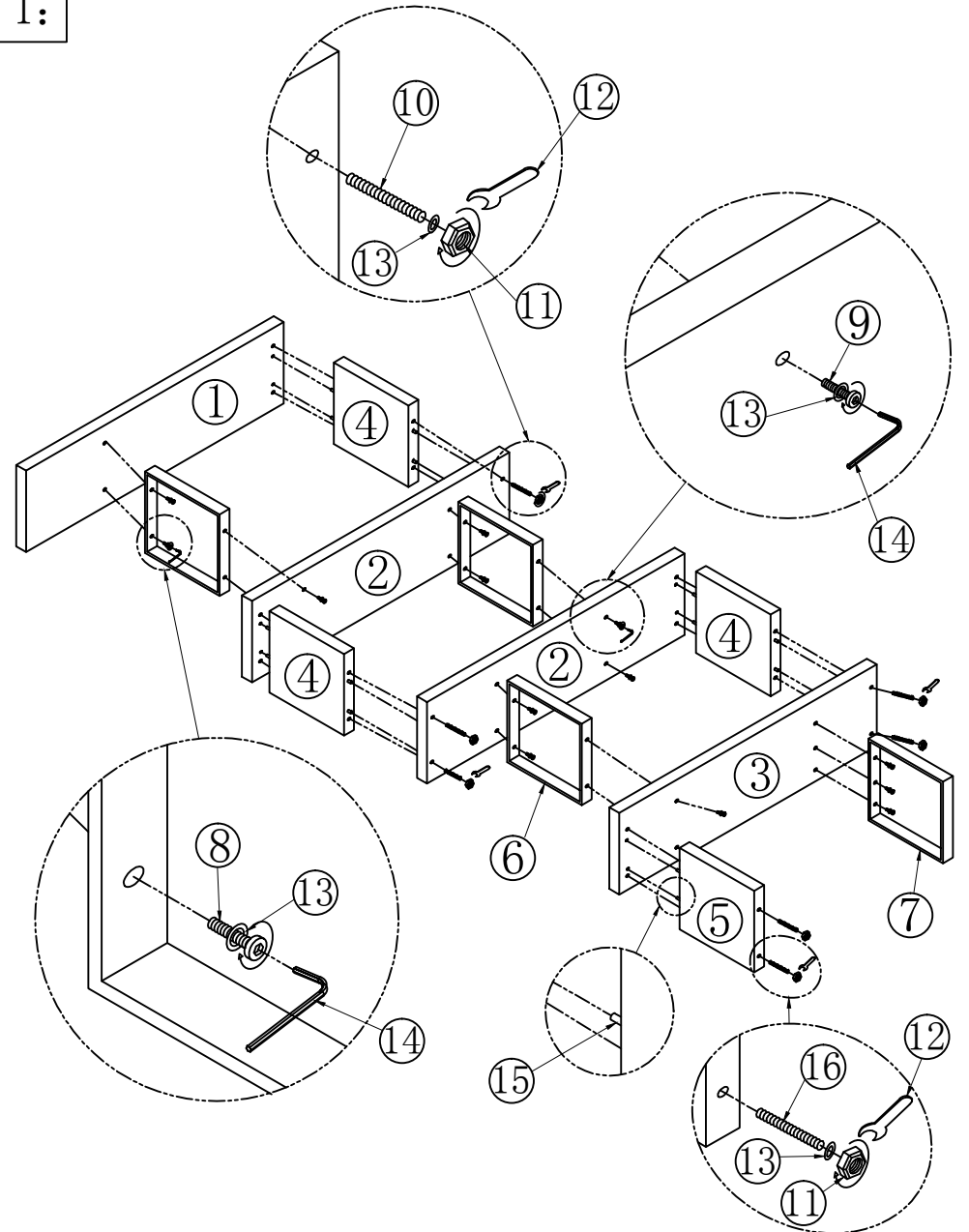


# Assembly Instructions

## Parts



1:



2:

