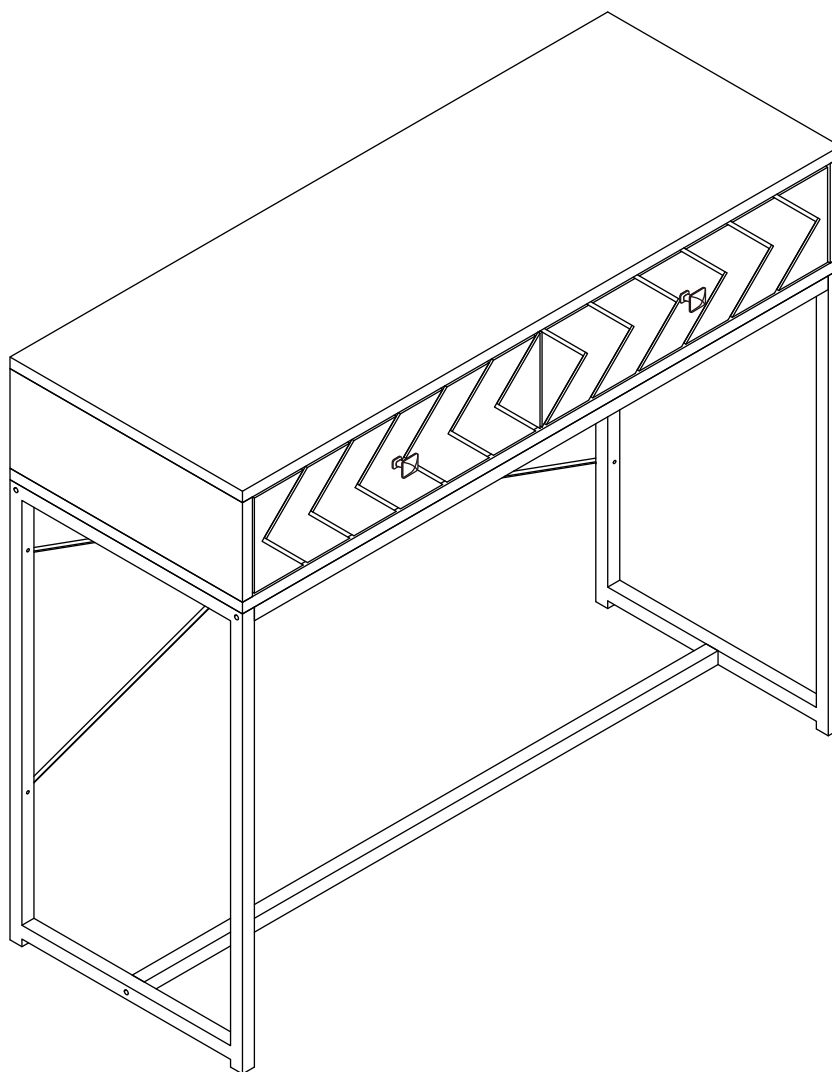



COMPUTER DESK

Assembly Instructions – Please keep for future reference



Dimensions	No. people	Assembly Time	
Width: 35 cm Depth: 90 cm Height: 76 cm		90 mins (approx.)	


Important

- PLEASE READ THESE INSTRUCTIONS FULLY BEFORE STARTING ASSEMBLY
- PLEASE DO NOT THROW THE PACKAGING AWAY UNTIL YOU ARE SATISFIED WITH PURCHASE, GOODS NEED TO BE RETURNED IN ORIGINAL PACKAGING.

Safety and Care Advice

Important

- PLEASE READ THESE INSTRUCTIONS FULLY BEFORE STARTING ASSEMBLY
- PLEASE DO NOT THROW THE PACKAGING AWAY UNTIL YOU ARE SATISFIED WITH PURCHASE, GOODS NEED TO BE RETURNED IN ORIGINAL PACKAGING.

- Check you have all the components and tools listed on pages 4 and 5.
- Remove all fittings from the plastic bags and separate them into their groups.
- Keep children and animals away from the work area, small parts could choke if swallowed.
- Make sure you have enough space to lay out the parts before starting.
- Do not stand or put weight on the product, this could cause damage.
- Assemble the item as close to its final position (in the same room) as possible.
- Assemble on a soft, level surface to avoid damaging the unit or your floor.
- We do not recommend the use of power drill/drivers for inserting screws, as this could damage the unit.
 Only use hand screwdrivers.
- Dispose of all packaging carefully and responsibly.

Care and Maintenance

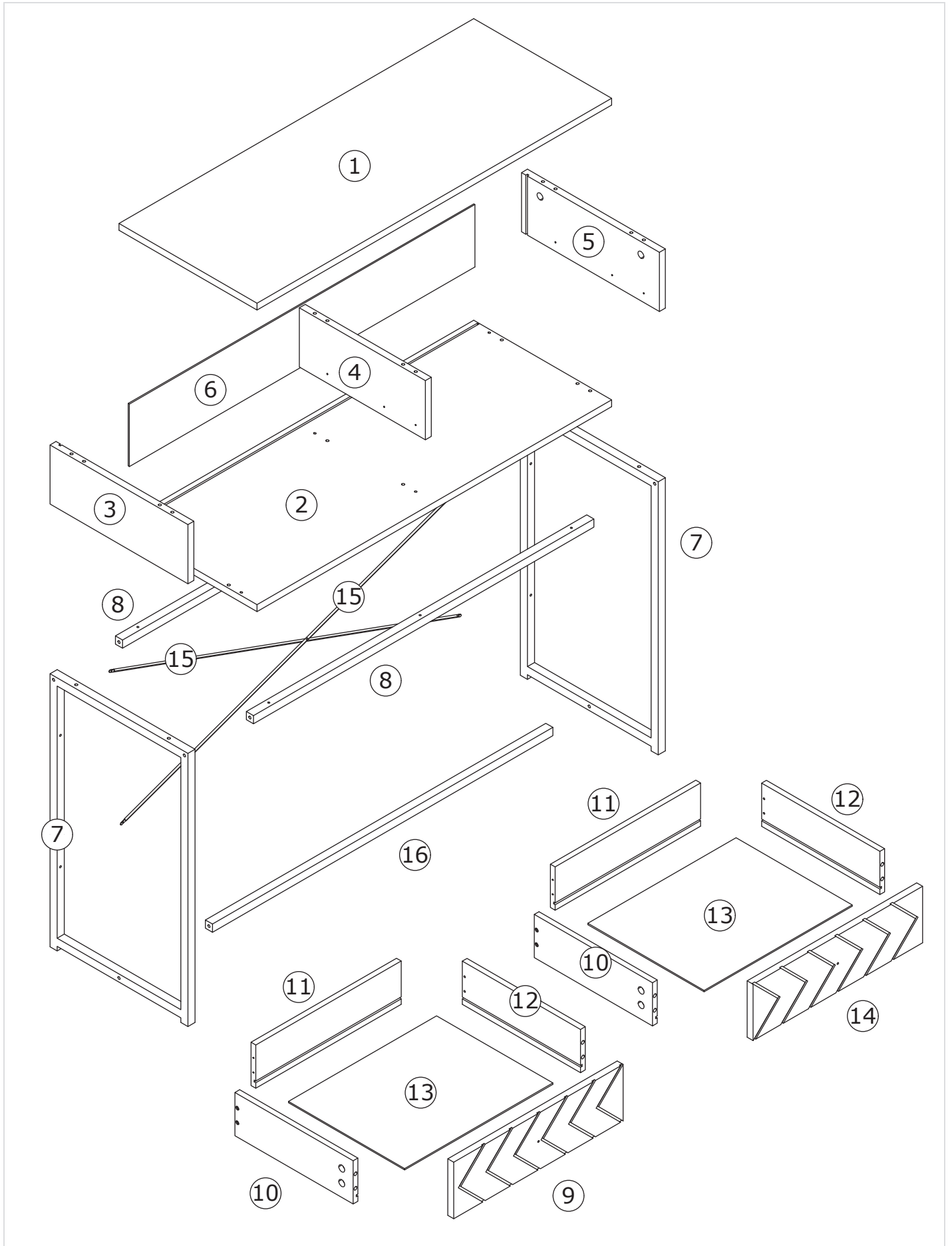
- Only clean using a damp cloth and mild detergent, do not use bleach or abrasive cleaners.
- From time to time check that there are no loose screws on this unit.
- This product should not be discarded with household waste. Take to your local authority waste disposal centre.

If kept outside please ensure in the winter months that the product is correctly covered or put away into a dry environment to prevent corrosion, weathering or damage.

If your product is not designed to be outside, we recommend that it is always kept indoors in a dry environment.

If you are unhappy with the product and wish to return it, please follow the retailer's returns procedure.

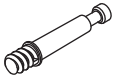





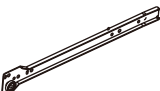
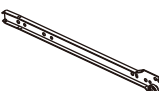








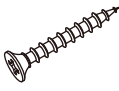

Exploded View



Components - Fixings

Please check that you have all the components listed below before constructing your item.

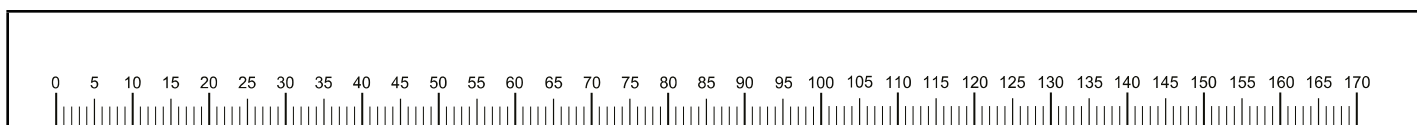
Note: The quantities below are the correct amount to complete the assembly. In some cases more fittings may be supplied than are required.

(A)	 Φ6*35 x14+1	(B)	 Φ15*9.5 x14+1	(C)	 Φ6*30 x12+1	(D)	 Φ4*30 x20+2
(E)	 Φ3.5*12 x24+2	(F)	 Φ6*30 x10+1	(G)	 x2	(H)	 x2
(I)	 x2	(J)	 x2	(K)	 Φ4*25 x4	(L)	 Φ6*12 x1
(M)	 x1	(N)	 Φ4*12 x2	(O)	Wall Fixing Stripe  x2	(P)	Screw  Φ4x12mm x2
(Q)	Screw  Φ4*35 x2	(R)	Wall Anchor  x2				

Tools Required



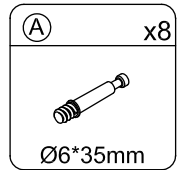
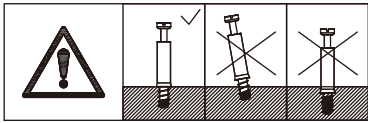
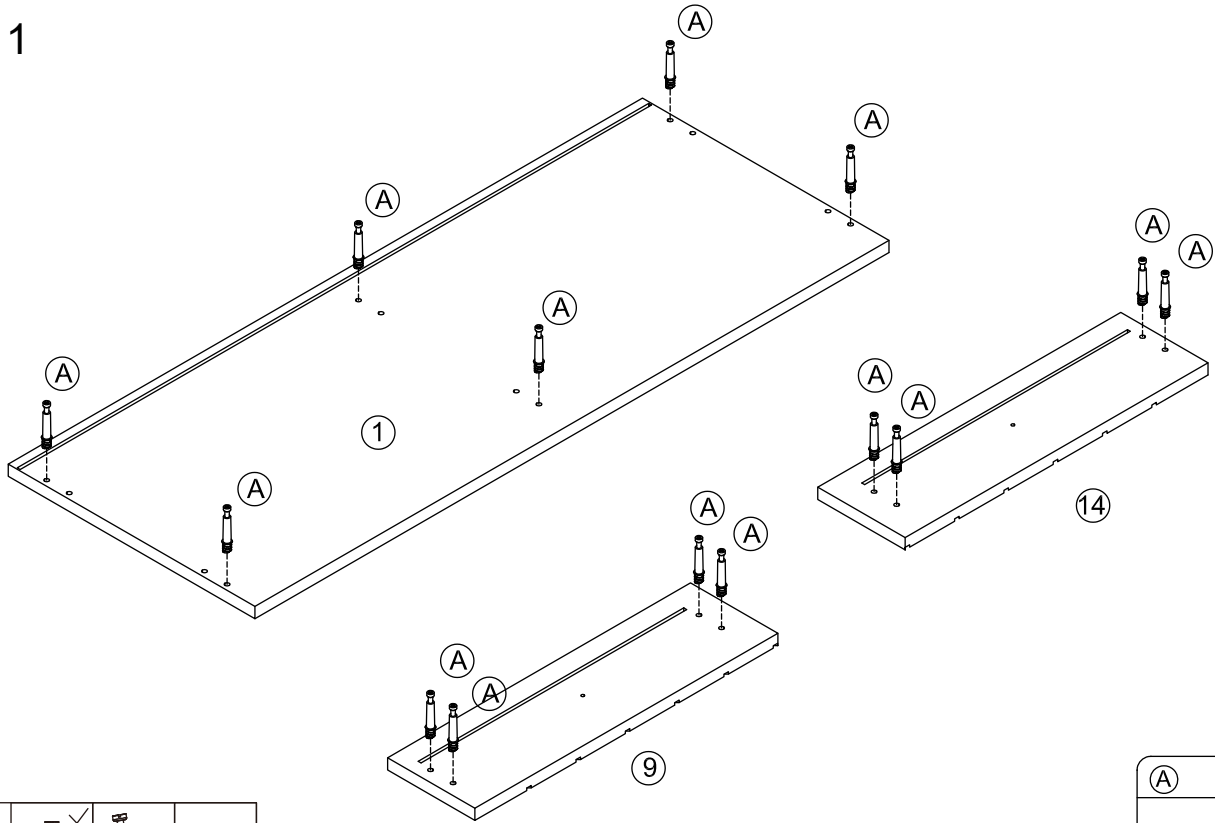
Ruler – Use this to measure your screws (mm)



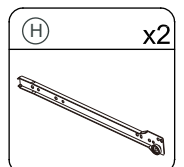
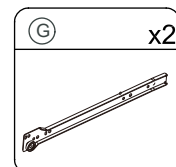
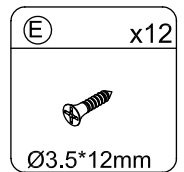
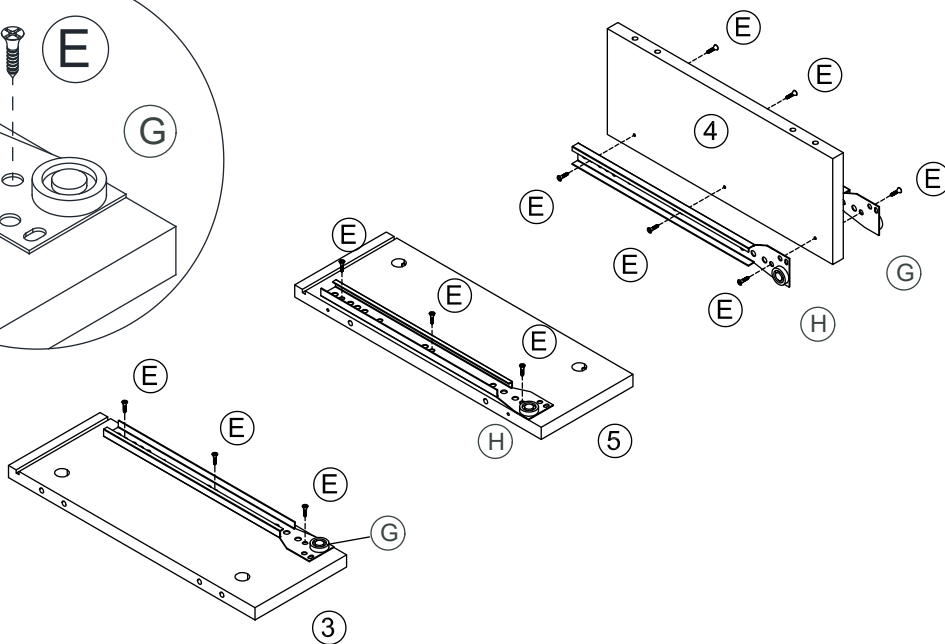
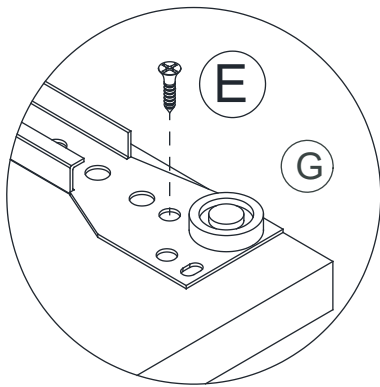
Important – Please read these instructions fully before starting assembly

Assembly Instructions

Step 1

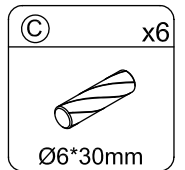
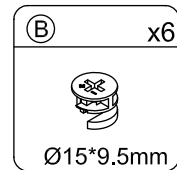
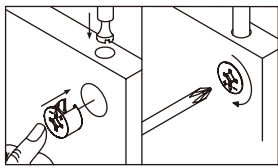
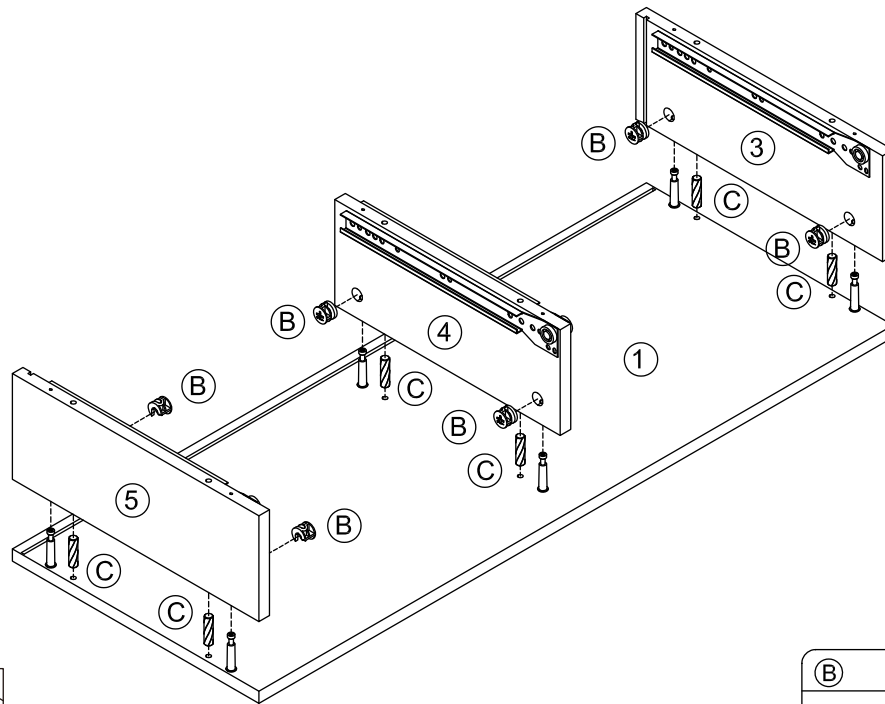


Step 2

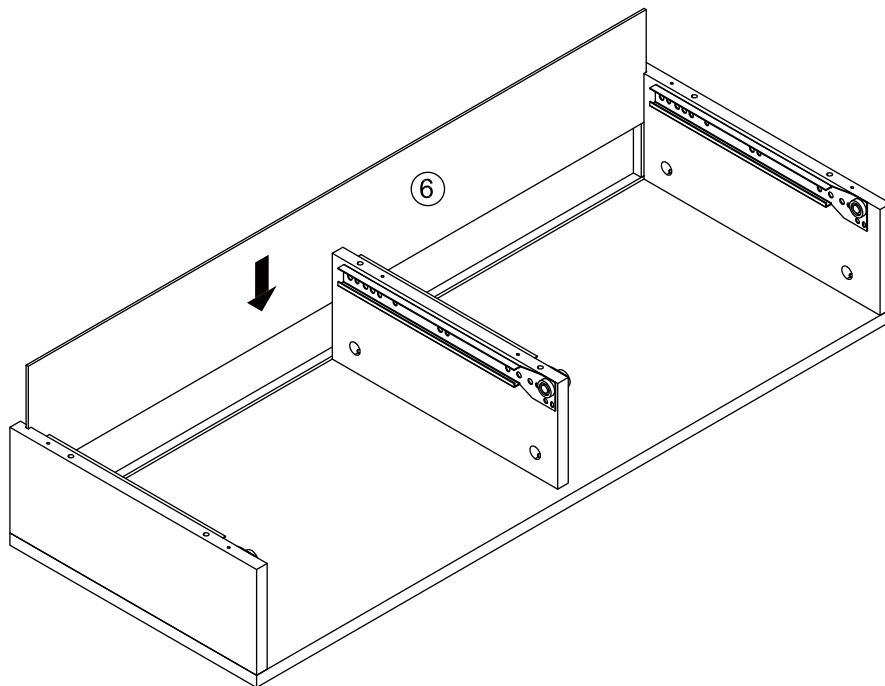


Assembly Instructions

Step 3

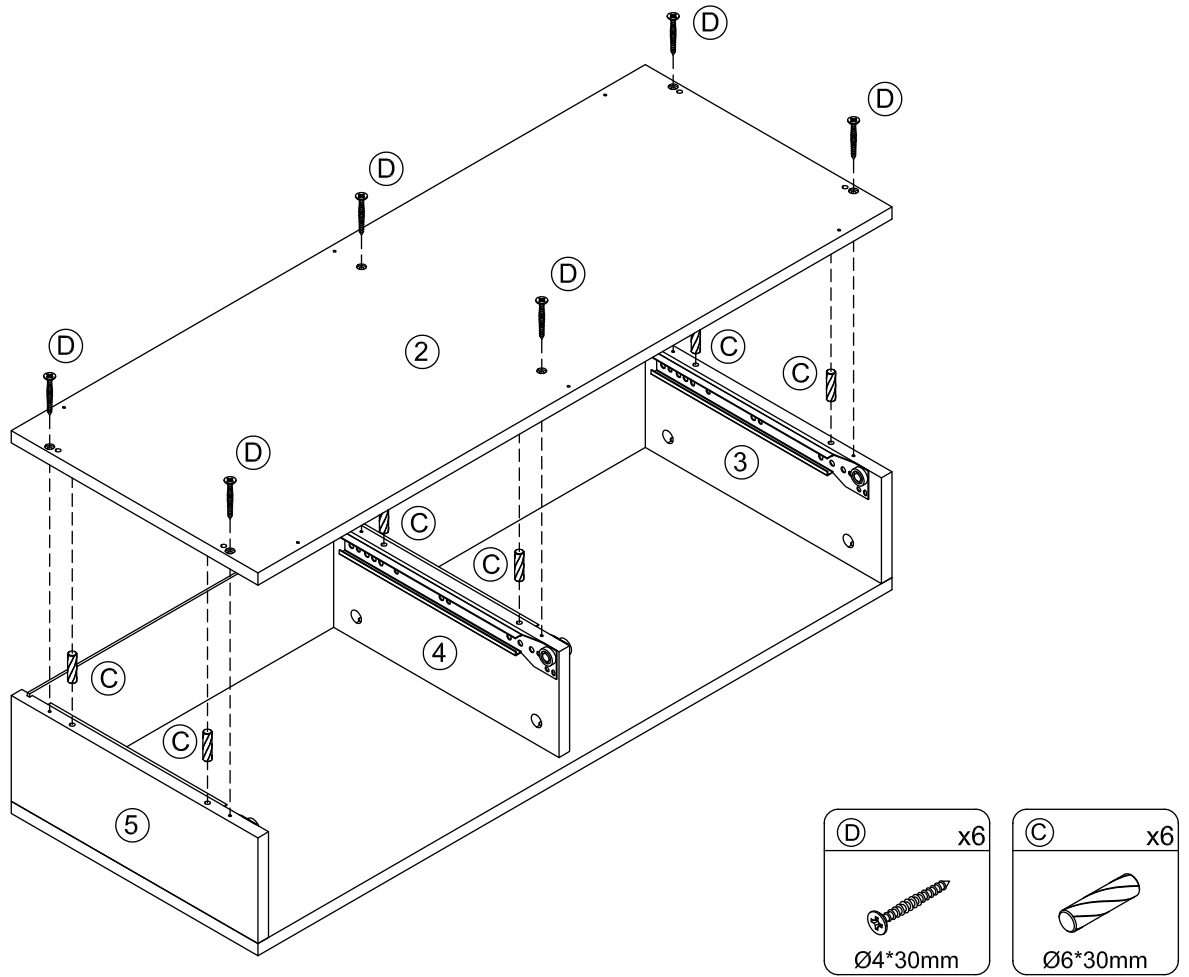


Step 4

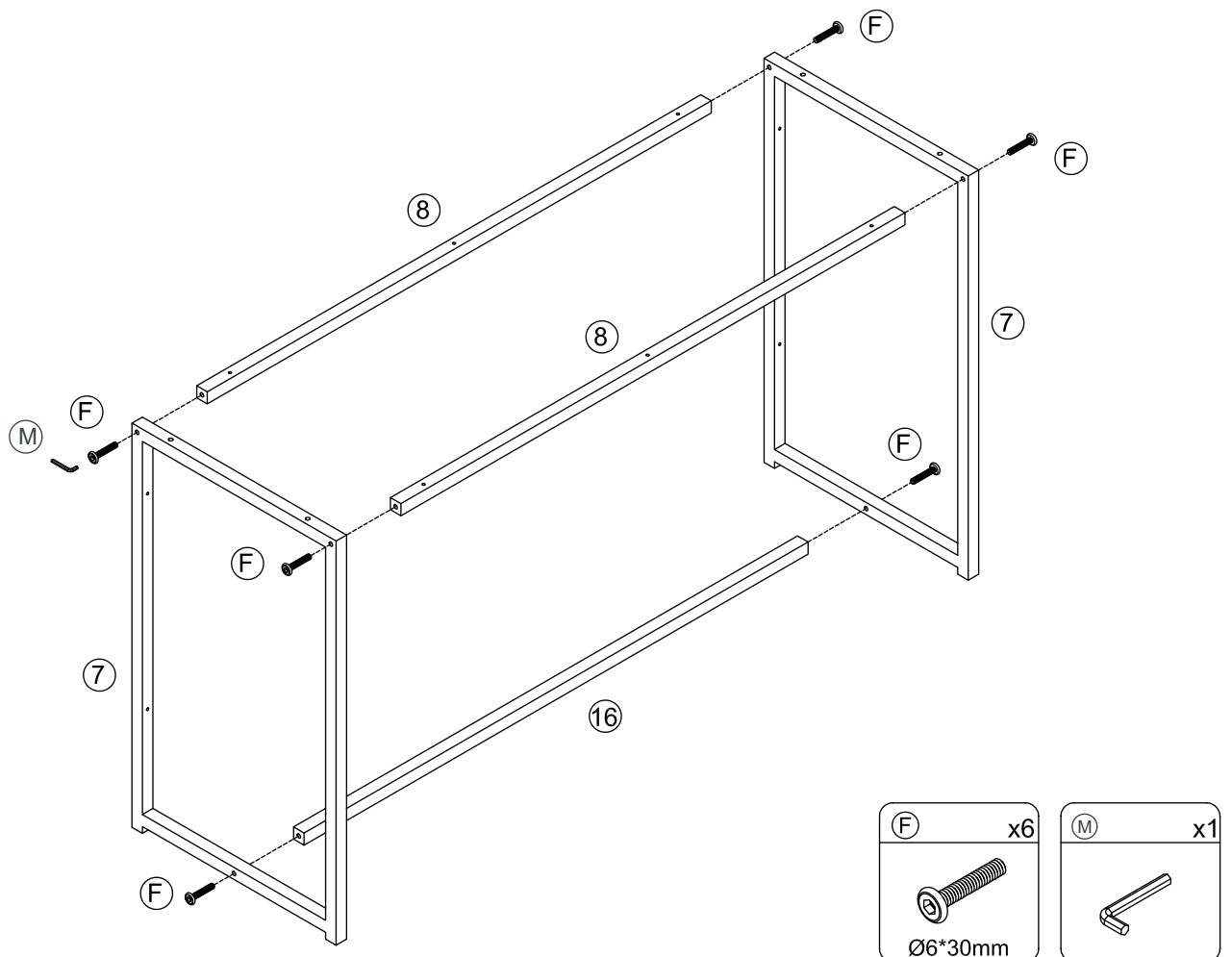


Assembly Instructions

Step 5

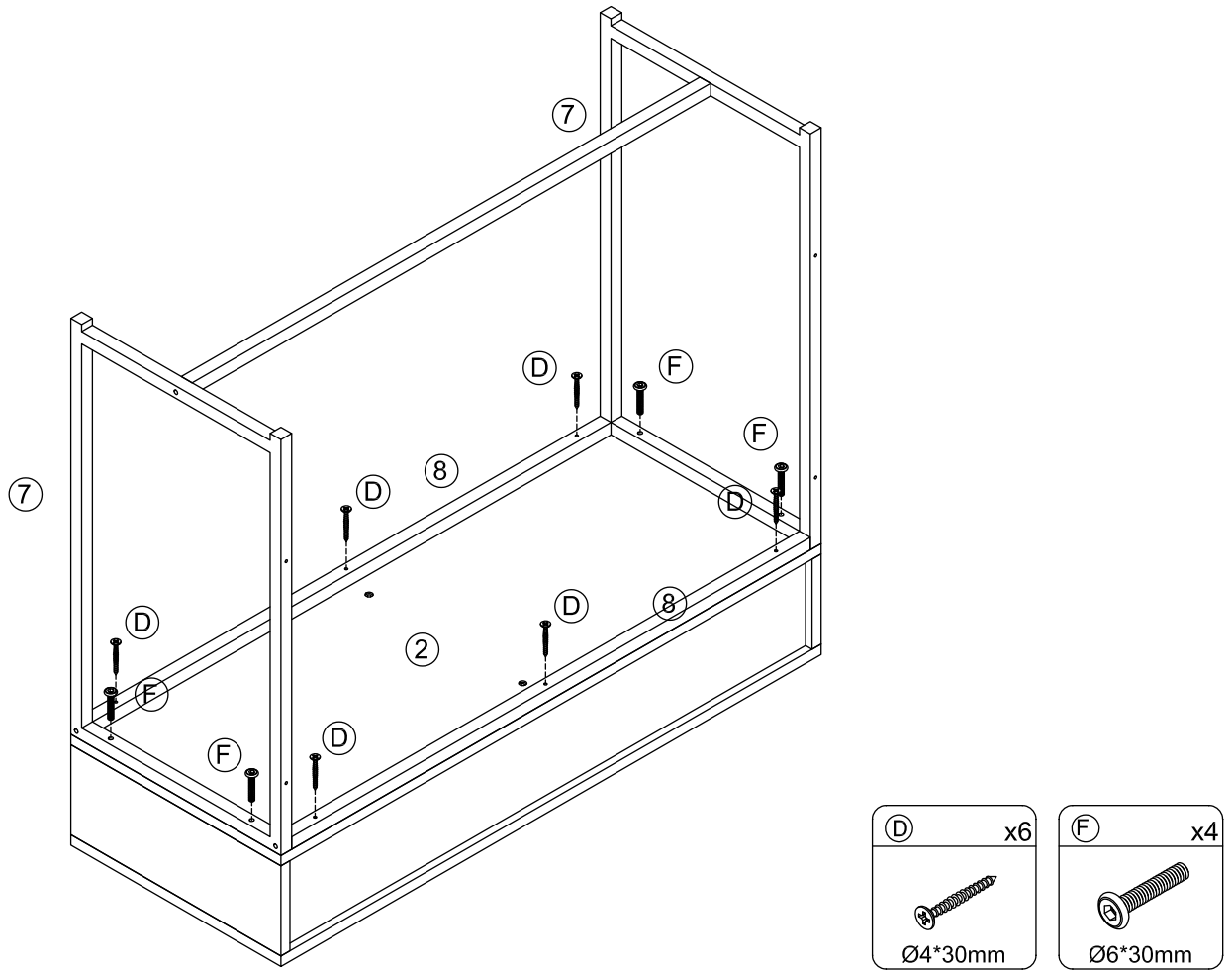


Step 6

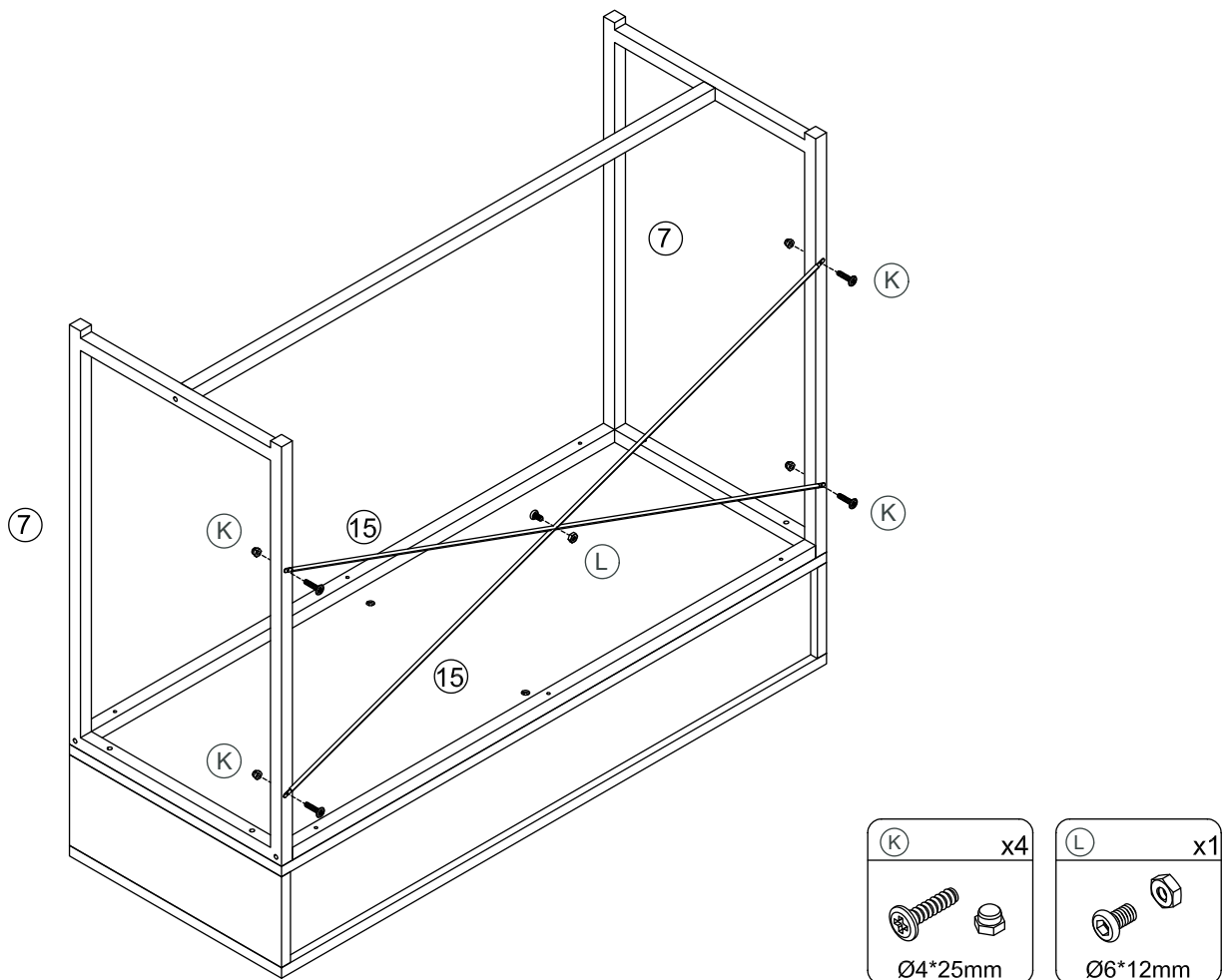


Assembly Instructions

Step 7

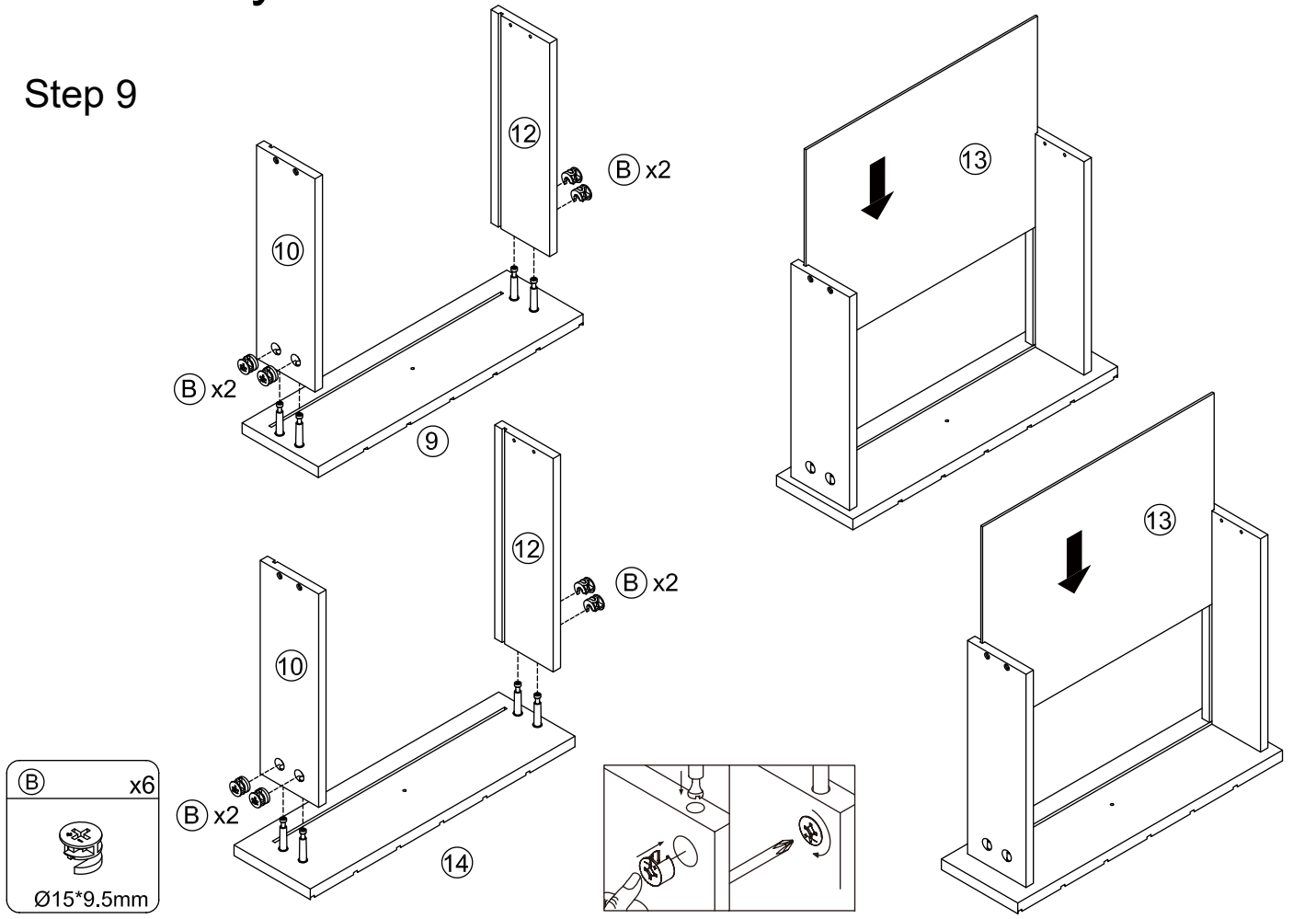


Step 8

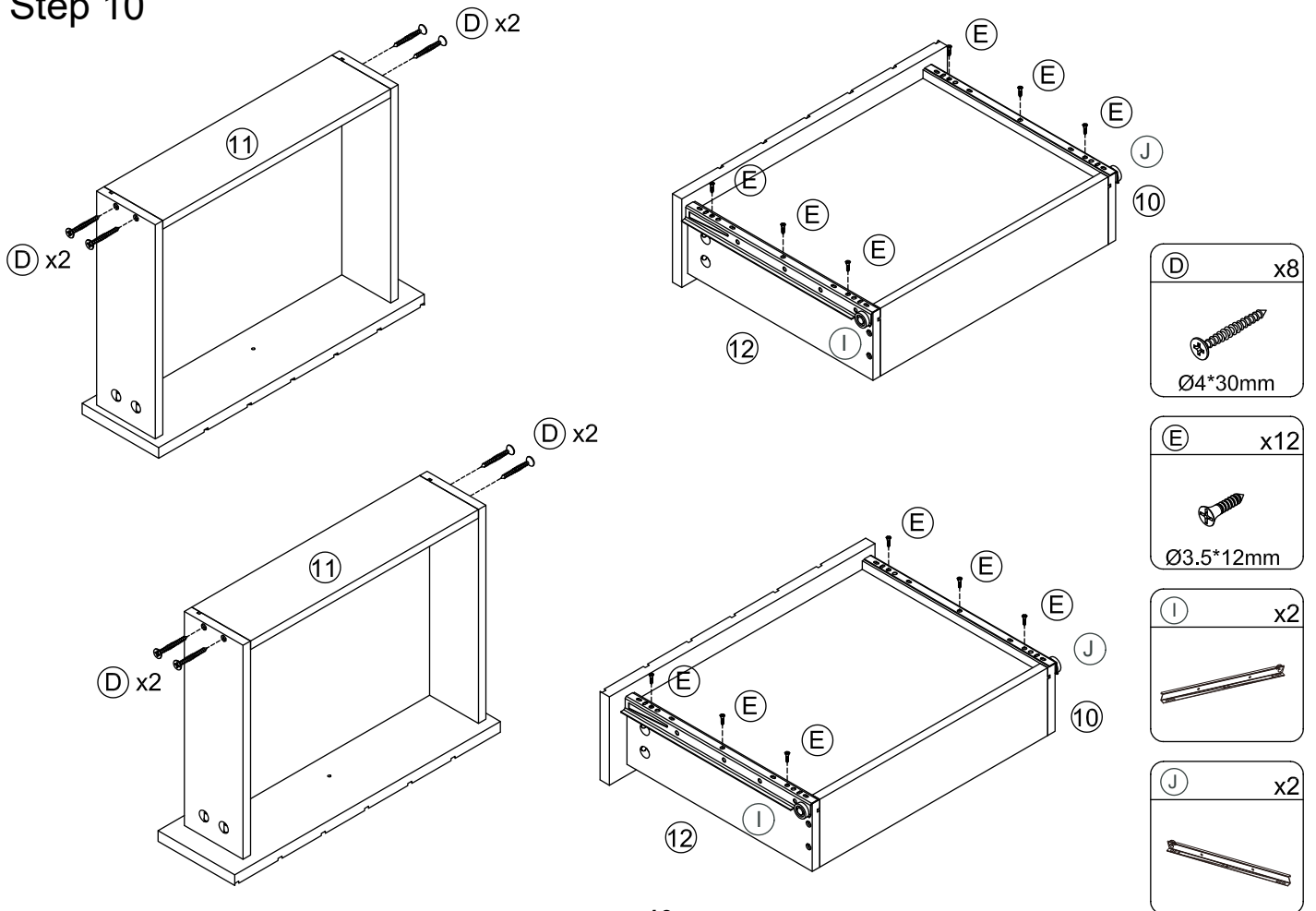


Assembly Instructions

Step 9

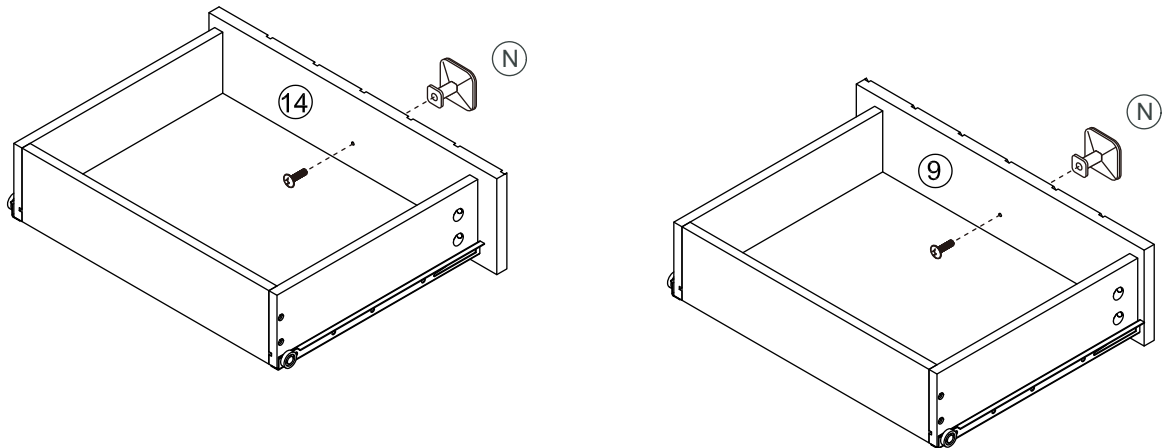


Step 10

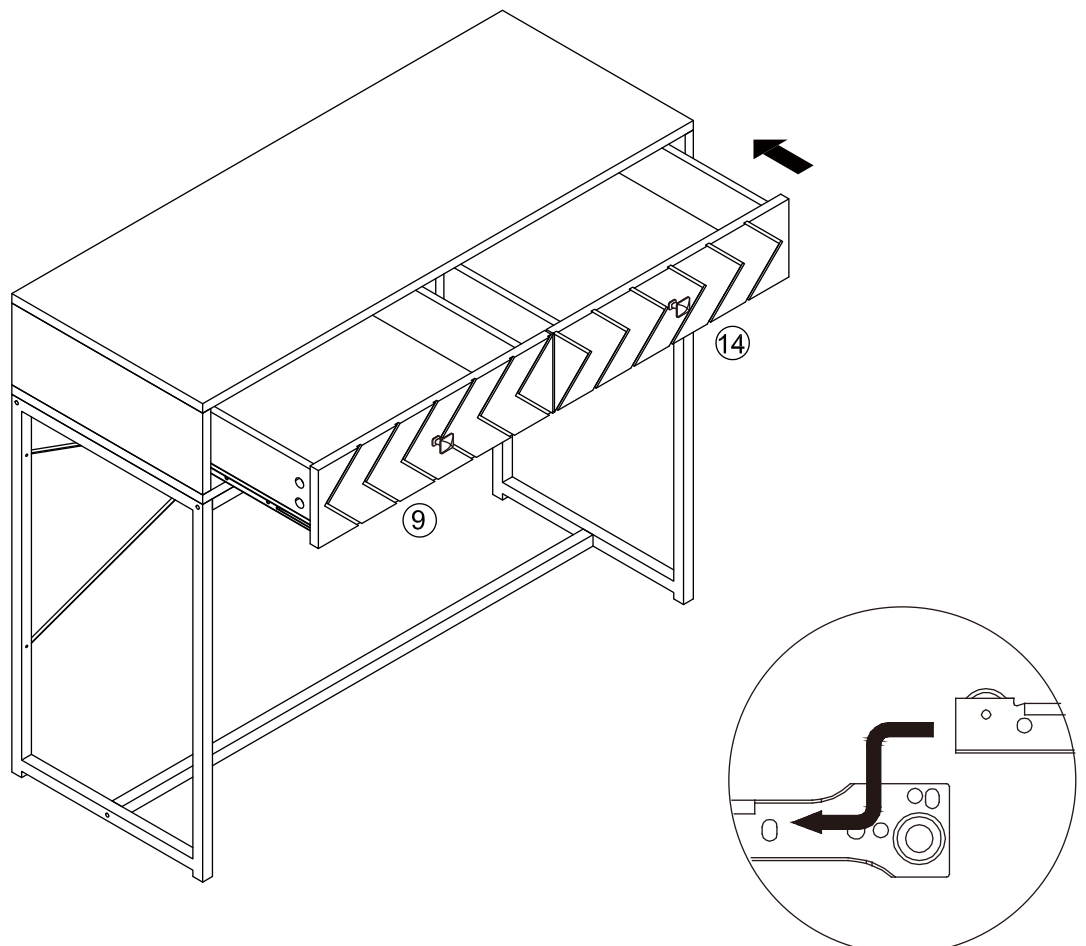


Assembly Instructions

Step 11

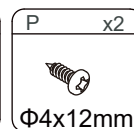
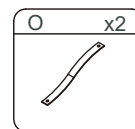
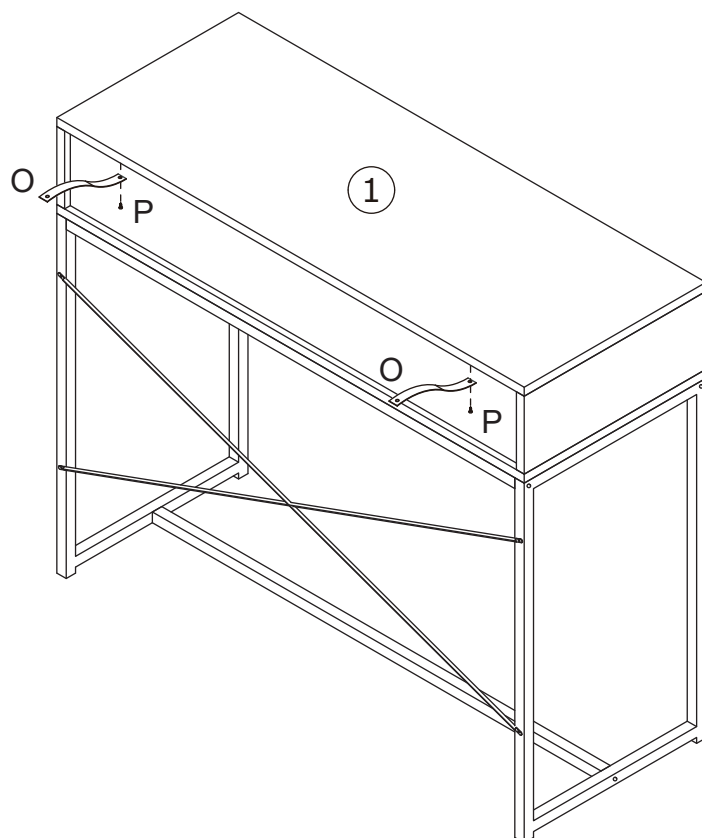


Step 12



Assembly Instructions

Step 13



Step 14

