

## WARNING

- \* Switch off the main electrical supply from the main fuse box / circuit breaker before installation.
- \* Inspect item carefully before attempting to install.
- \* If there is any damages or obvious defects, do not install.
- \* Item may not be returned once it has been installed.


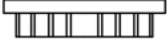
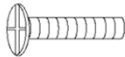




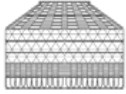
## CARE AND MAINTENANCE

- \* To clean the outside of the fixture, use a dry or slightly dampened clean cloth (use clean water, never a solvent) to wipe the surface of the fixture.
- \* To clean the inside of the fixture, first disconnect power to the fixture by turning off the circuit breaker or by removing the fuse at the fuse box. Next, use a dry or slightly dampened clean cloth (use clean water, never a solvent) to wipe the interior surface of the fixture.
- \* Do not use any cleaners with chemical, solvents or harsh abrasives. Use only a dry soft cloth to dust or wipe carefully.

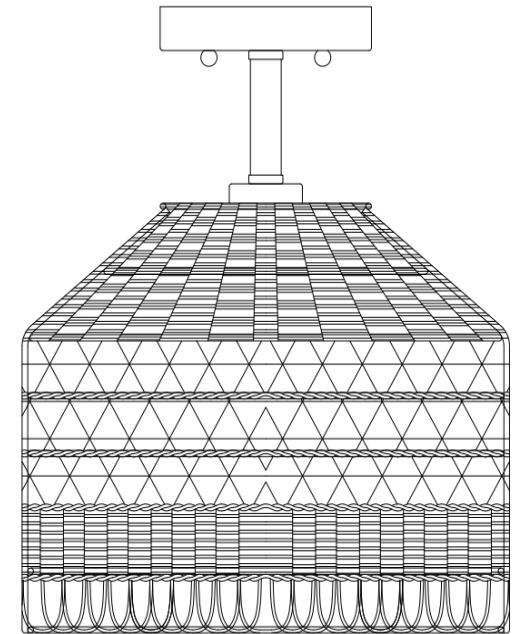
## NOTICE & IMPORTANT SAFETY INSTRUCTIONS

- \*\* WE RECOMMEND INSTALLATION OF THIS LIGHTING FIXTURE BE DONE BY A LICENSED ELECTRICIAN \*\*
- \* Please make sure that you have all parts indicated before you begin assembly of this item
- \* This item should be assembled on a soft surface to prevent scratching the finish during assembly
- \* To reduce the risk of fire, electrical shock or injury to persons or property, please follow the guideline below for safe use and installation

### Part List and Hardware List

| PIECE | DESCRIPTION    | PICTURE   | QUANTITY | PIECE | DESCRIPTION     | PICTURE   | QUANTITY |
|-------|----------------|---|----------|-------|-----------------|---|----------|
| A     | Wire Nut       |  | 3X       | E     | Socket Ring     |  | 1X       |
| B     | Mounting Screw |  | 2X       | F     | Canopy + Socket |  | 1X       |
| C     | Mounting Plate |  | 1X       | G     | Canopy Nut      |  | 2X       |
| D     | Bulb           |  | 1X       | H     | shade           |  | 1X       |

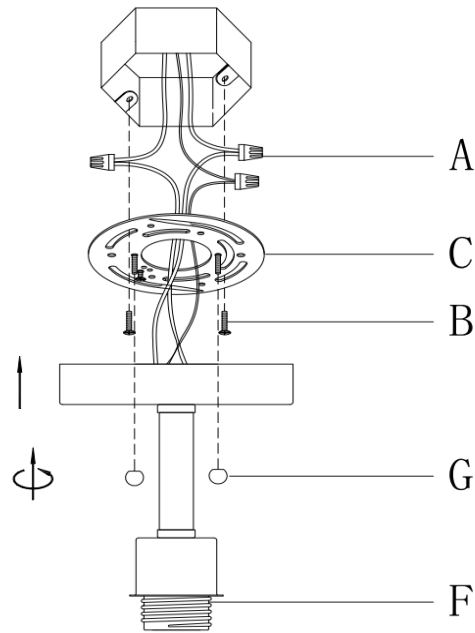
**Product Dimensions: 12"L x 12"W x 14"H**



## PREPARATION

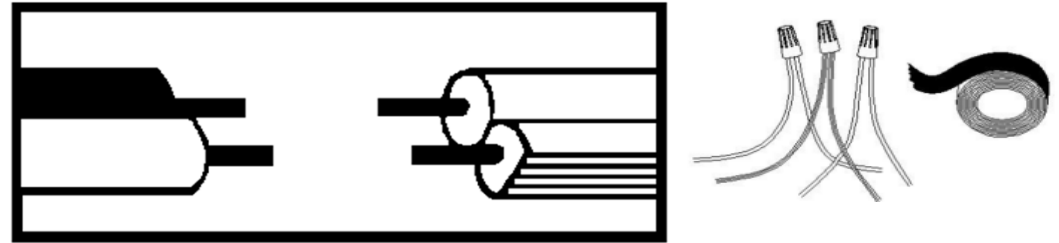
- \* Before beginning assembly of product, make sure all parts are present. Compare parts with package contents list and hardware contents list.
- \* If any part is missing or damaged, do not attempt to assemble the product.
- \* Estimated Assembly Time: 20 minutes.
- \* Tools Required for Assembly (not included): Screwdriver. Junction box

**NOTE: PLEASE USE TYPE "A" BULB MAX 40-WATT OR LED BULB MAX 9-WATT, THERE IS 1PC LED 4-WATT BULB IN THE BOX**



### Step 1: Unpack all parts from cartons carefully.

Separate the Mounting Plate (C) from the Canopy (F) by turning the Canopy Nut (G) anti-clockwise. Install the Mounting Plate (C) to the junction box with Mounting Screw (B).



### Step 2: Wire connection

Connect fixture neutral wire (ribbed) to the outlet box neutral wire (usually white) using a wire nut.

Connect fixture hot wire (smooth with markings) to the outlet box hot wire (usually black) using a wire nut.

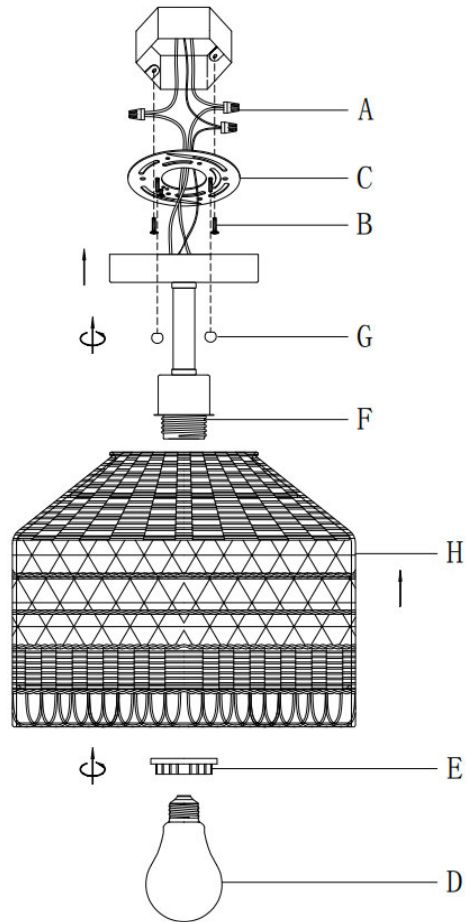
CAUTION: Do not reverse the hot and neutral connections

Grounding Instructions:

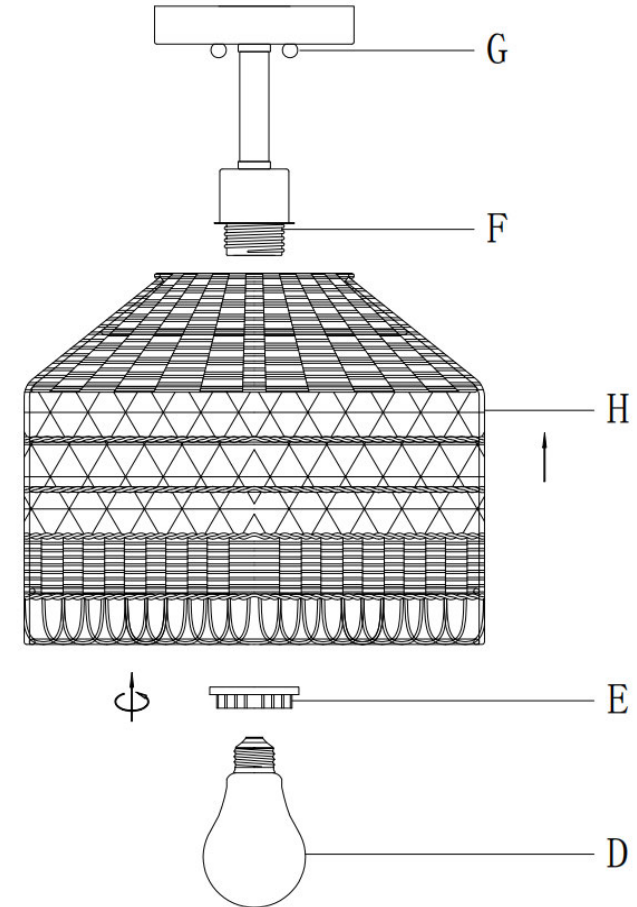
Wrap ground wire from outlet box around green ground screw on mounting bracket, no less than 2" from wire end. Tighten ground screw. If fixture is supplied with a ground wire, connect to outlet ground wire with a wire nut.

## PREPARATION

- \* Before beginning assembly of product, make sure all parts are present. Compare parts with package contents list and hardware contents list.
- \* If any part is missing or damaged, do not attempt to assemble the product.
- \* Estimated Assembly Time: 20 minutes.
- \* Tools Required for Assembly (not included): Screwdriver, Junction box



**Step 3:** Attach the Canopy(F) to the junction box and fix it by turning the Canopy Nut(G) clockwise.



**Step 4:** Separate the Socket Ring (E) from the Socket (F) anti-clockwise, then Put the shade (H) onto the Socket (F) by turning the Socket Ring (E) clockwise. Insert the bulb(D) into the Socket(F)