

## Operating Instruction

Wall clock silent sweep movement service life about 10-15 years and it is affected by using method, batteries and environmental factors maybe shortened or extended, please love and protect it.

### Technical indicators:

Product of our clock has already passed CE and ROHS authentication.

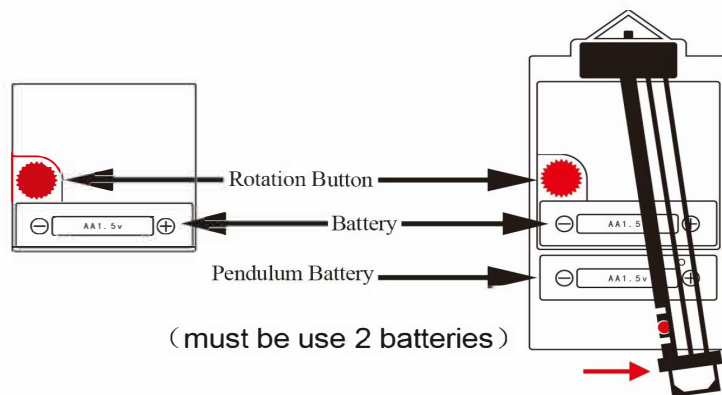
\*Operating temperature: -10°C — +50°C

\*Average power: <150-170mA At 1.5V DC>

\*Average daily difference: -0.8 — +1.2 Sec/Day

## Clock Installation Instructions

- (1) Pendulum design clock: Unlock the buckle of the pendulum to the right (if the clock without pendulum then just started since step "2")
- (2) Install 1.5V AA battery according to the "+" "-" mark on the movement. (Please refer to the battery installation)
- (3) Adjust rotation button back of the movement used to calibration time.
- (4) Prepare hammer, find a location that you want to hanging the clock and hammered a seamless hook into the wall (be careful with your finger), hanging the clock and put it in the right place.
- (5) Installation the pendulum (please refer to the "pendulum Installation"), if the clock without pendulum just ignore.



## Installation Pendulum

### Pls refer to "Clock Installation Instructions Step 1-4"

- (1) The metal hook hanging in plastic pendulum hole and pinched tightly metal hook ( pls refer to attached photo )
- (2) Swing the metal pendulum left and right by hands and then it will automatically swing.

### Tips:

Keep parallel between wall and clock ,pendulum can not touch the wall also.

## Installation batteries

- (1) Battery "+" must be to the right
- (2) Pendulum Design: Installation 2 batteries and all of the "+" must be to the right.

### Tips:

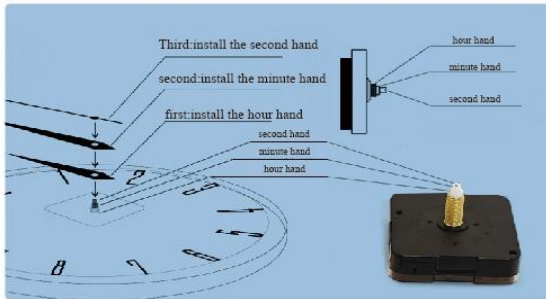
- (1) Don't use high current battery avoid damage to the movement and affect service life.
- (2) When you found the clock slows down and swing amplitude decrease pls check the batteries timely and change new battery.
- (3) Please use a soft fabric gently wipe it to keep the clock clean. Don't put the clock in wet, high temperature, soot and other adverse environments .Don't impact it.
- (4) If there are any problems during use and installation , please contact with us in email or skype , we will reply as soon as possible.

## How to reinstall the clock hand

During used and installation, if the clock hands are bent or touching each other, it will be easy to cause the time inaccurate or stop moving. The clock hands made of plasticity material so you can adjust the hands by yourself ,if the hands can not use anymore.

pls change new spare hands as follows :

- (1) Remove the battery,keep the clock face up ,pinch the bottom of the clock hand and take it down together.
- (2) Installation the new hands one by one ,hour hands,minute hands and second hands.
- (3) Completed.



### Tips:

Don't exert too much to avoid damaging the hands.  
Keep parallel between the hands.

## Luminous Instructions

### (1) Material

Luminous clock face made of self luminous material and have to absorb external light energy and need reserve enough light source to keep illuminate always.

Please note :

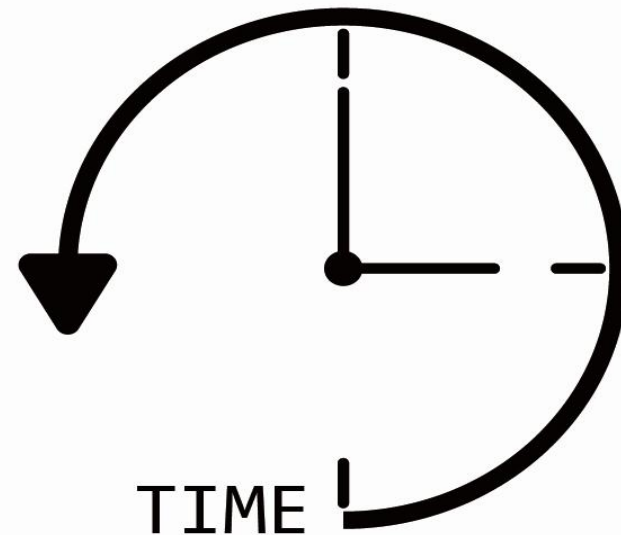
After the light is discharged, there will be no luminous effect at all,it is depends on material properties so hope your understand .But it can be absorb external light energy again to keep illuminate continue.

### (2) Luminous Timeliness

When the clock face absorb external light energy about 5-10 minutes enough it can be sustainable luminescence 6-8 hours ,strong luminescence 1-2 hours ,weak luminescence 3-4 hours and more and more weak.

More time to absorb external light energy more long time to luminescence,and luminous intensity according to environmental influence.

# Clock instruction manual



In order that you can use this product more safely and get full play to its functions and features, please read the operating instructions carefully before using this unit and keep it properly