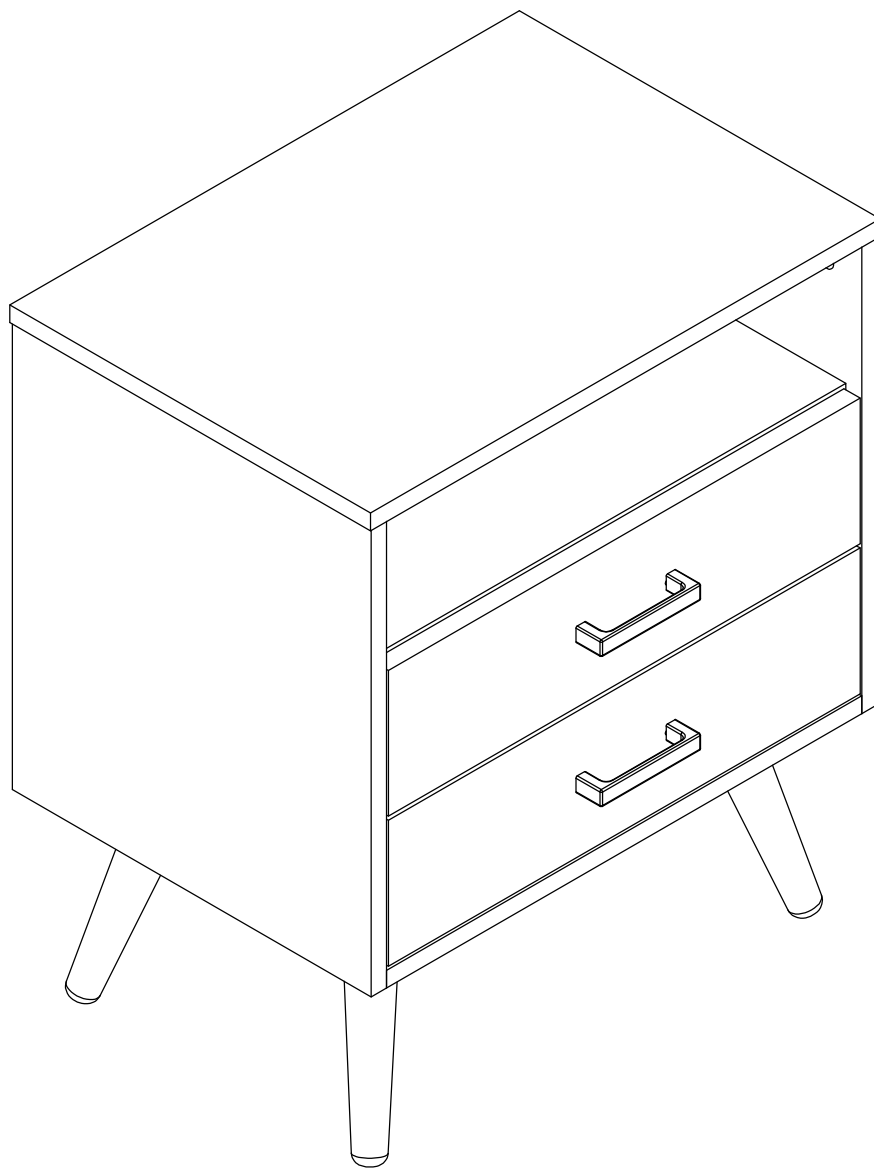
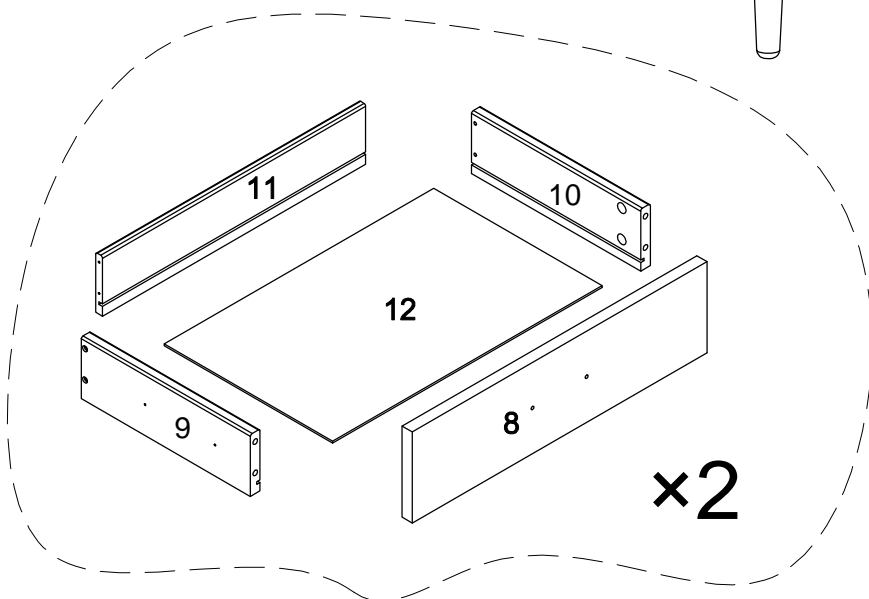
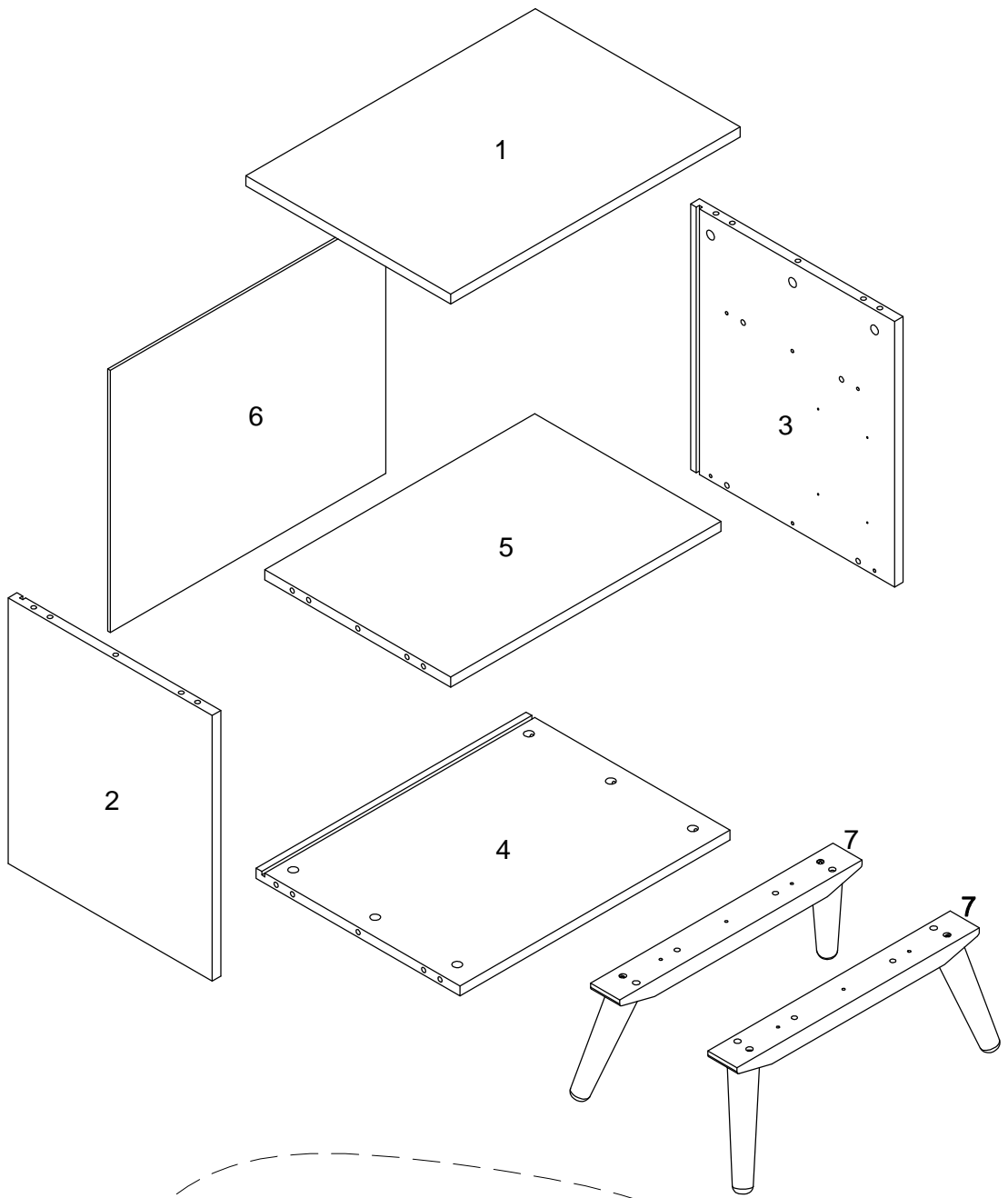


INSTRUCTION

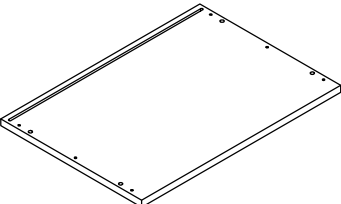
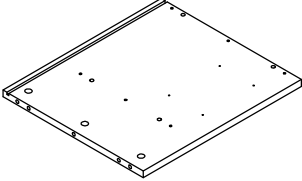
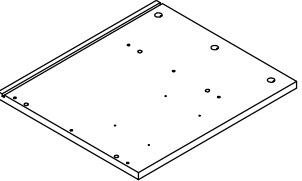
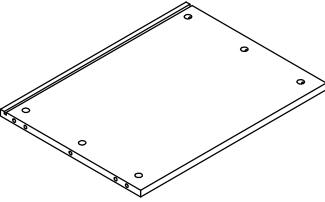
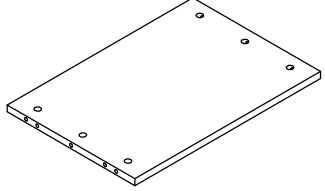
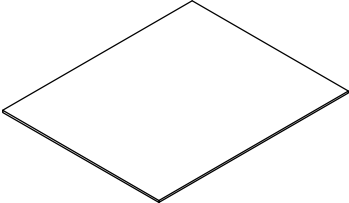
End Table

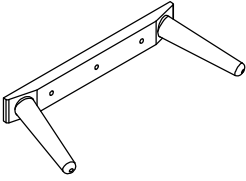
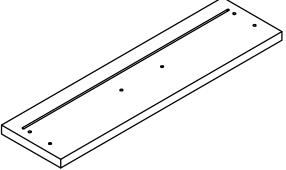
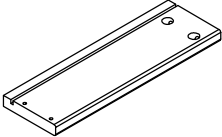
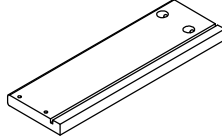
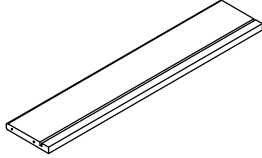
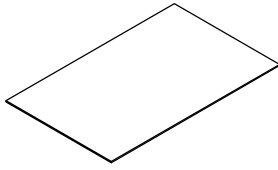
Caution: Read owner's manual completely before assembly and use.



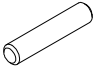
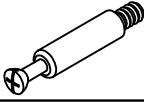

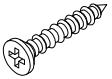
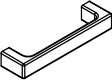

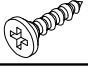

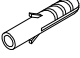
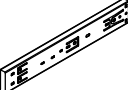

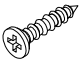




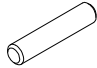
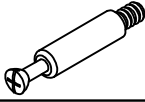

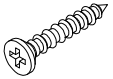

Parts :

	PARTS	Q'TY
1		01
2		01
3		01
4		01
5		01
6		01

	PARTS	Q'TY
7		02
8		02
9		02
10		02
11		02
12		02

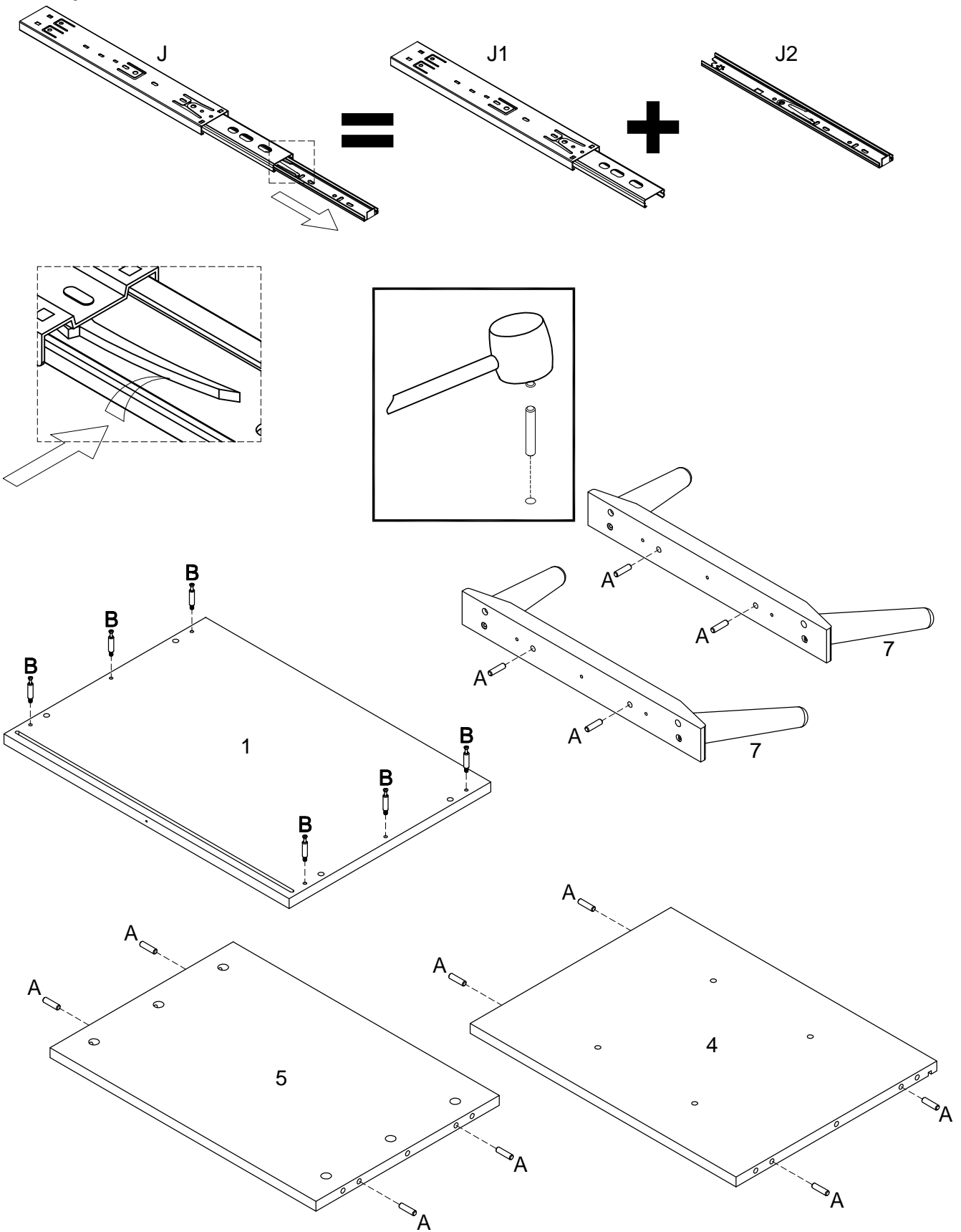
Hardware:

	HARDWARE	Q'TY
A	 $\varnothing 8 \times 30$	16
B	 D15	26
C	 D15	26
D	 M3.5 \times 30	15
E		02
F		04
G	 M3.5 \times 15	01
H		01
I		01
J		02
K		04
L	 M3.0 \times 20	04
M		08
M	 In the bag with drawer slides	16

	SPARE HARDWARE	Q'TY
A	 $\varnothing 8 \times 30$	02
B	 D15	02
C	 D15	02
D	 M3.5 \times 30	01
M	 M3.5 \times 15	02

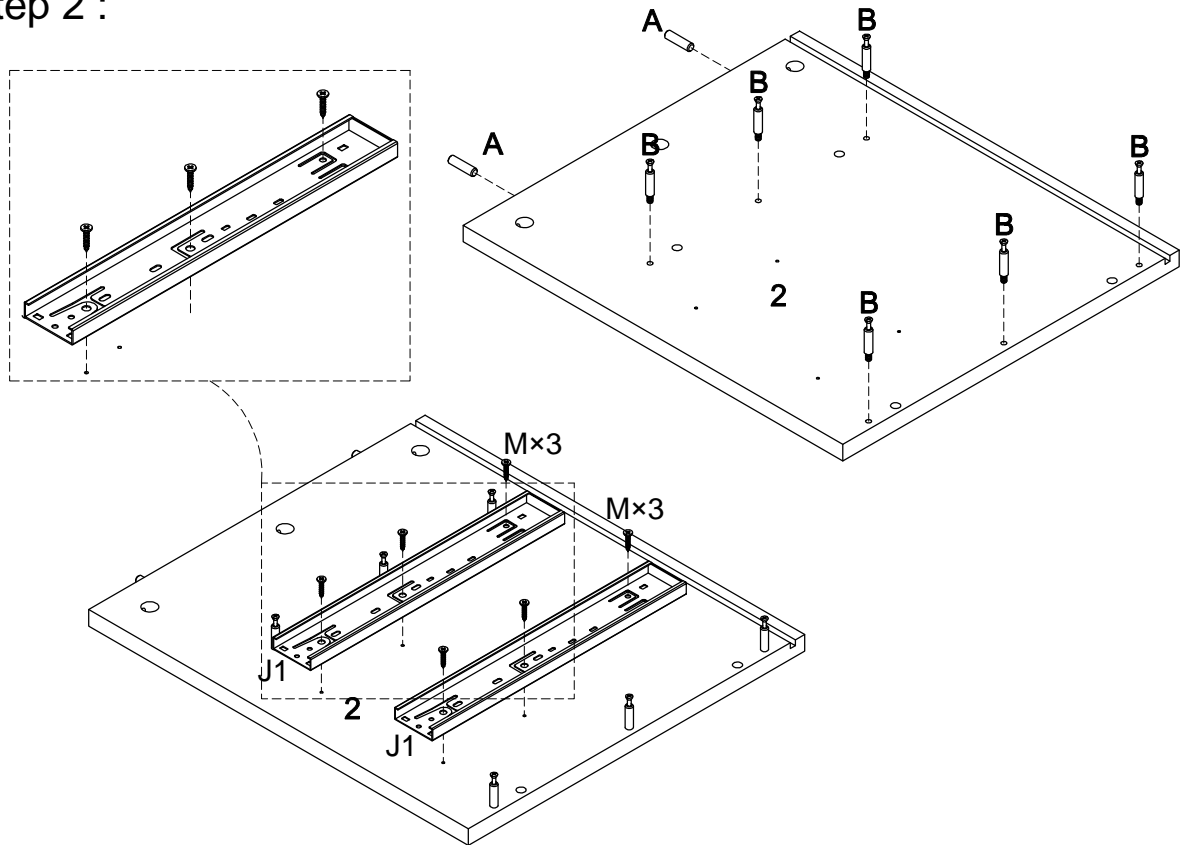
Step By Step Assembly Instructions

Step 1 :

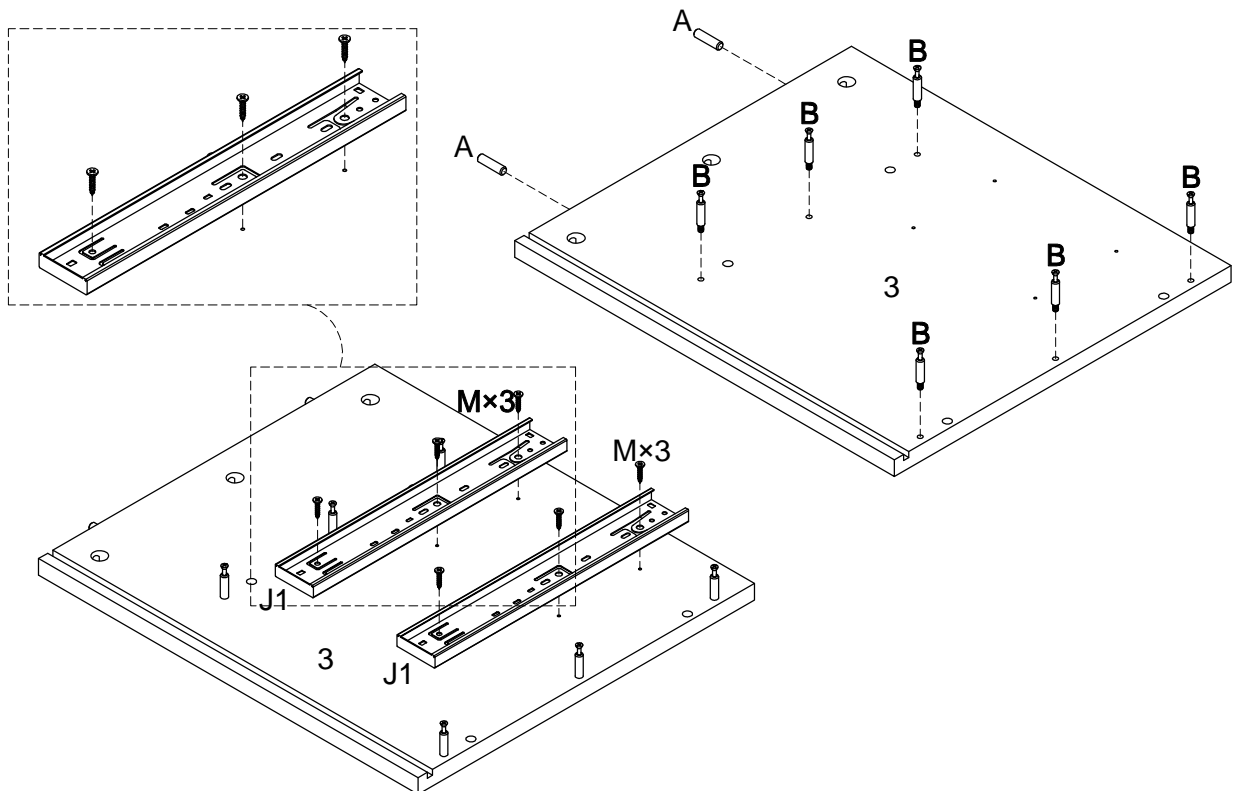


Step By Step Assembly Instructions

Step 2 :

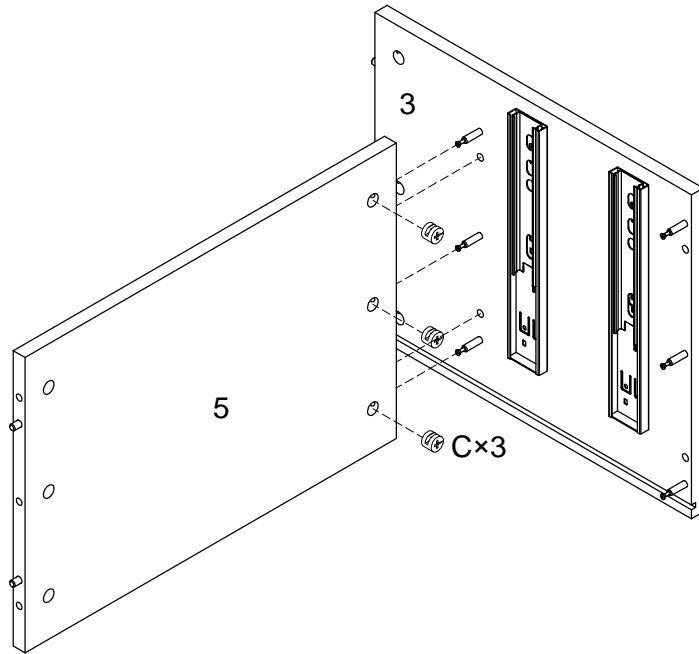


Step 3 :

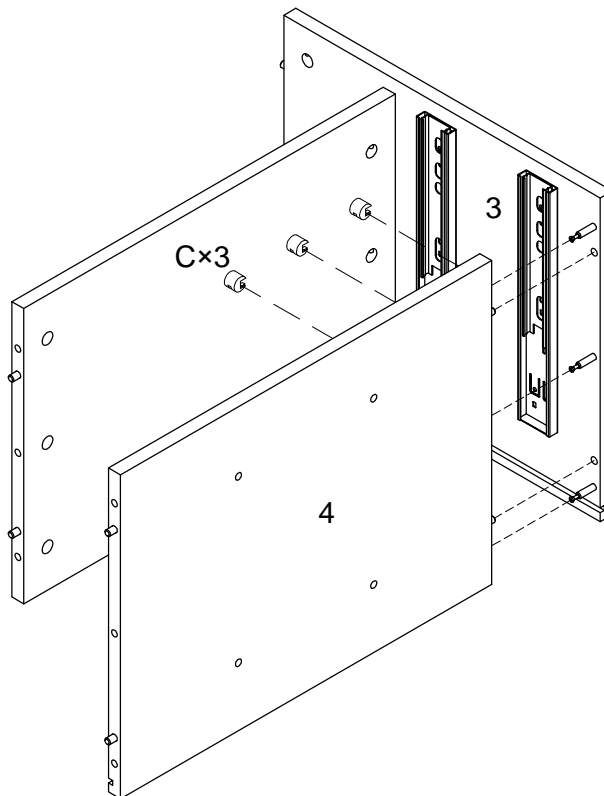


Step By Step Assembly Instructions

Step 4 :

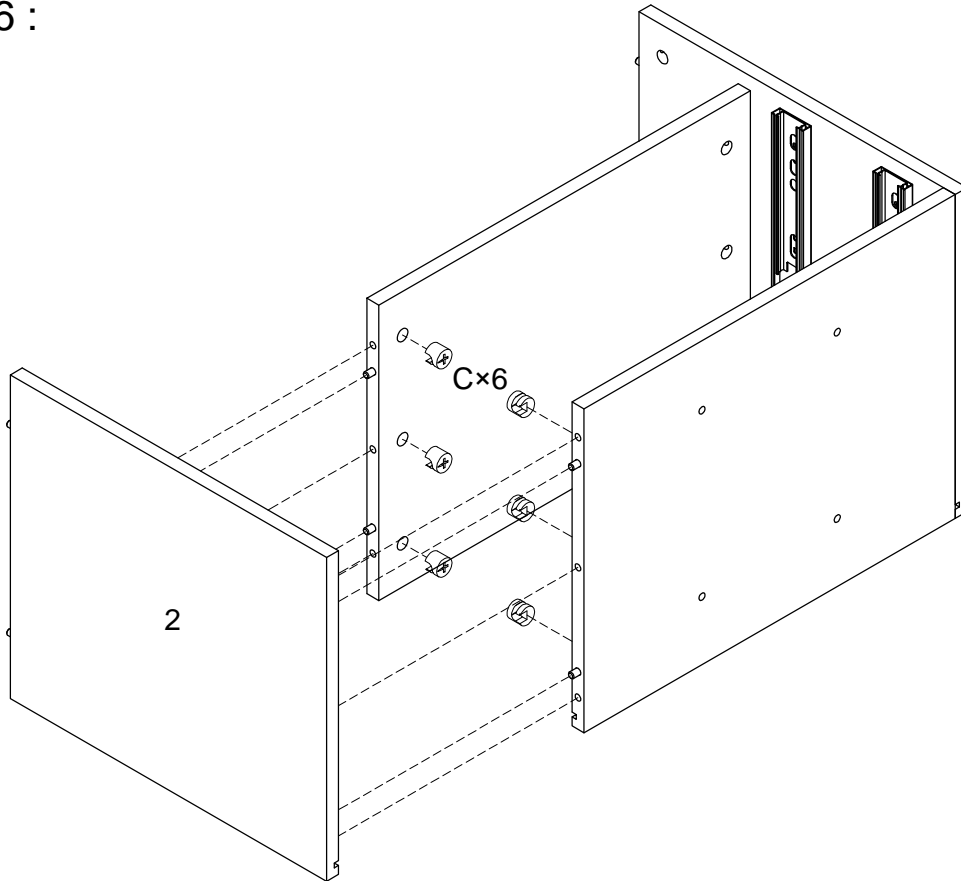


Step 5 :

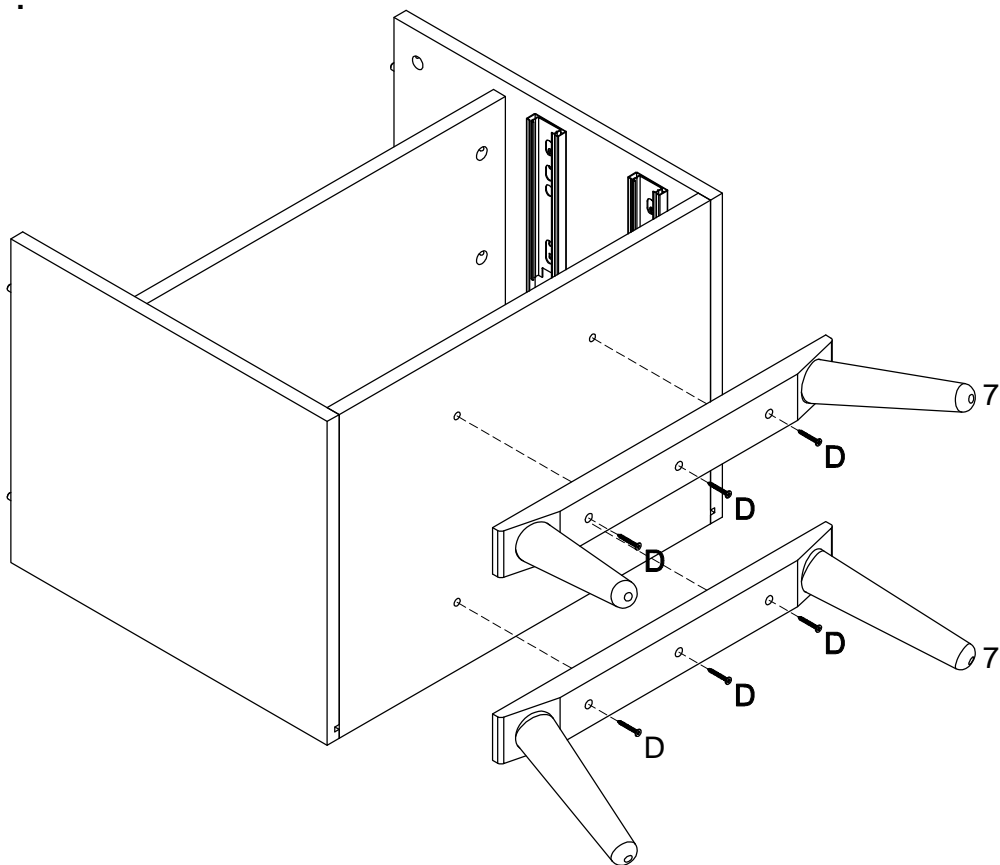


Step By Step Assembly Instructions

Step 6 :

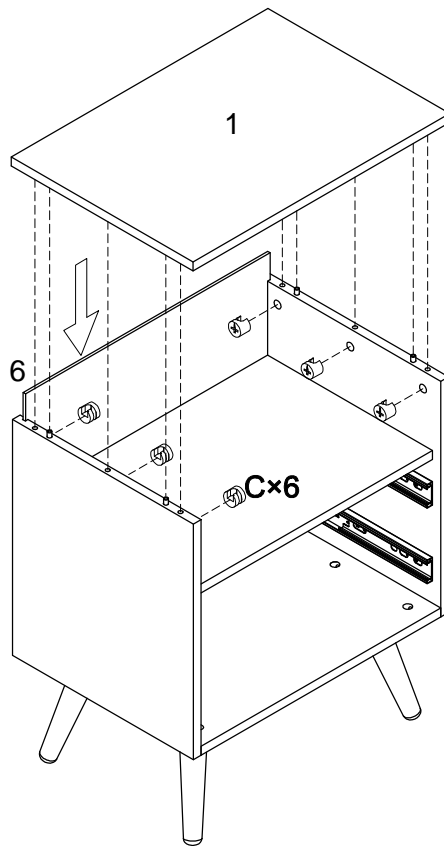


Step 7 :

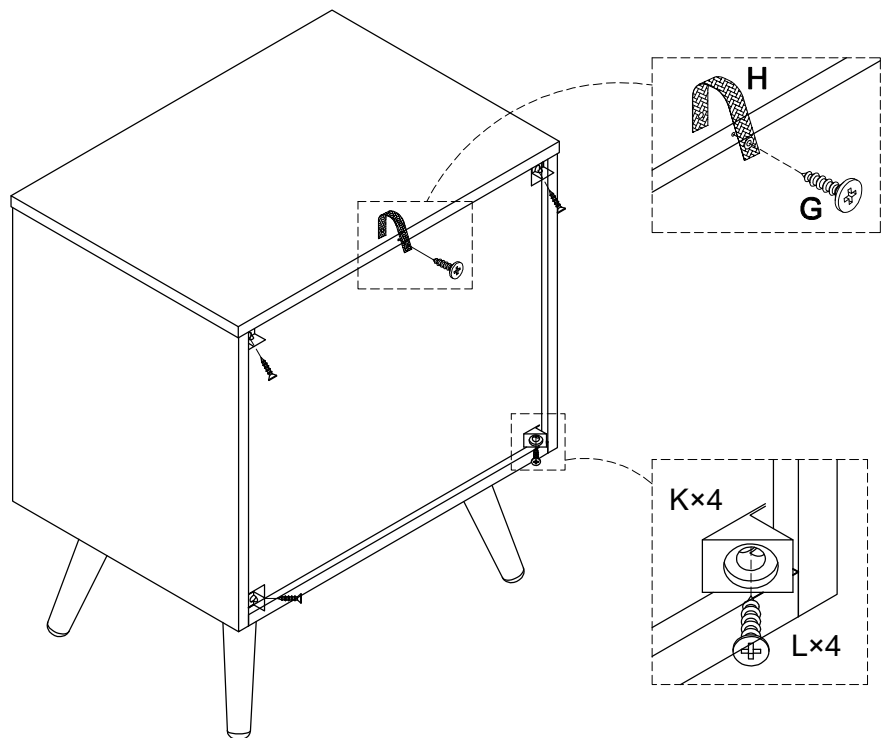


Step By Step Assembly Instructions

Step 8 :

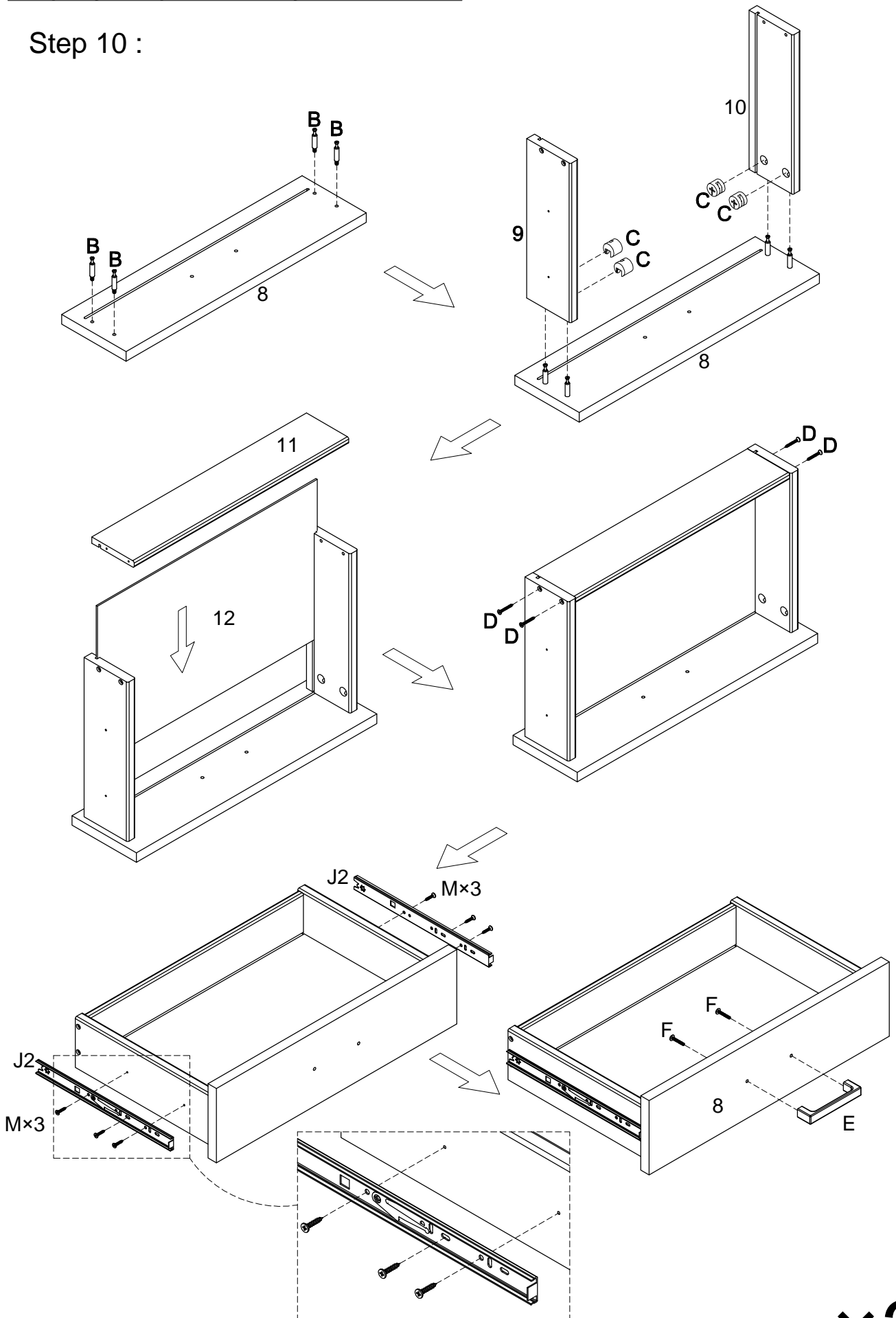


Step 9 :



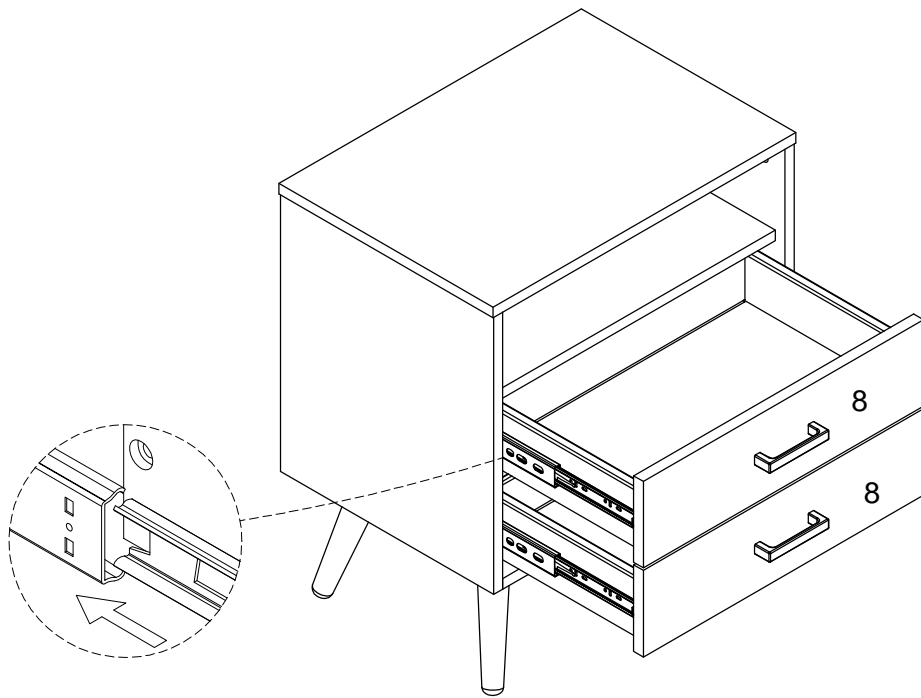
Step By Step Assembly Instructions

Step 10 :



Step By Step Assembly Instructions

Step 11 :



Step 12 :

