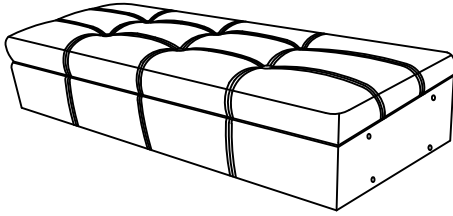


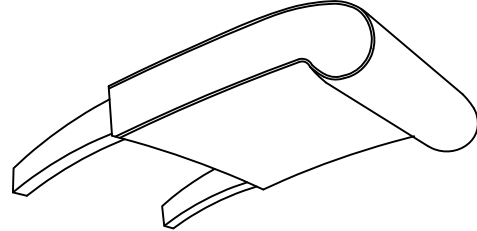
ASSEMBLY INSTRUCTIONS

PARTS LIST

A: 1PC

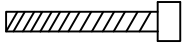


B: 2PCS



HARDWARE LIST

C: 8PCS



D: 8PCS



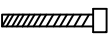
E: 8PCS



F: 1PC

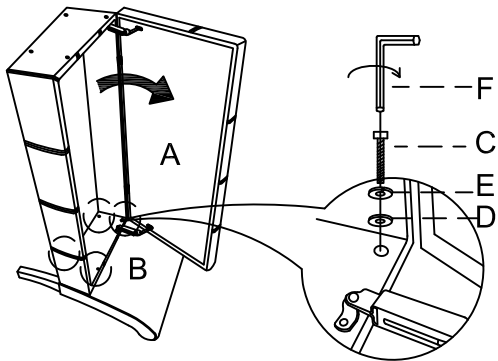


STEP 1

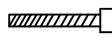
C:  4PCS

D:  4PCS

E:  4PCS

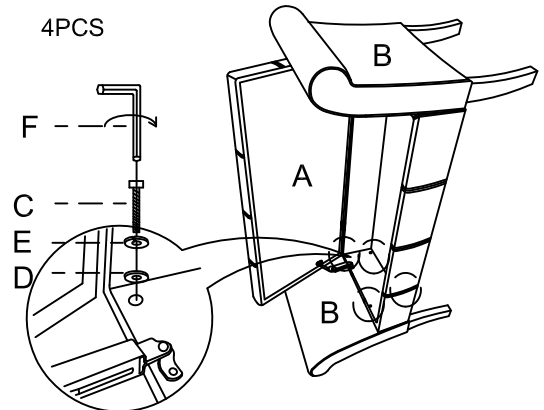


STEP 2

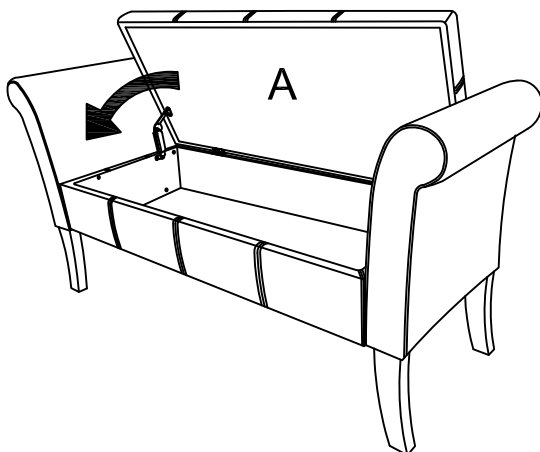
C:  4PCS

D:  4PCS

E:  4PCS



STEP 3



STEP 4

