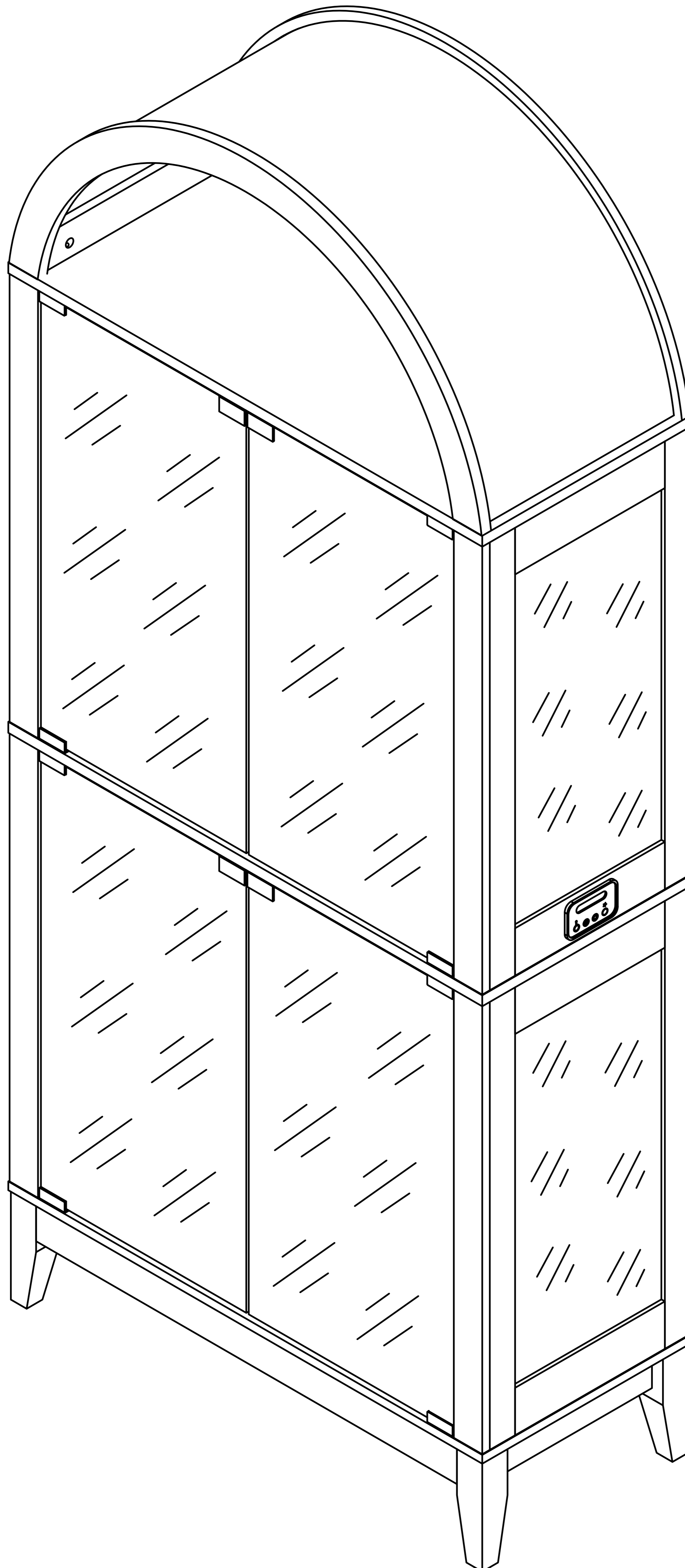
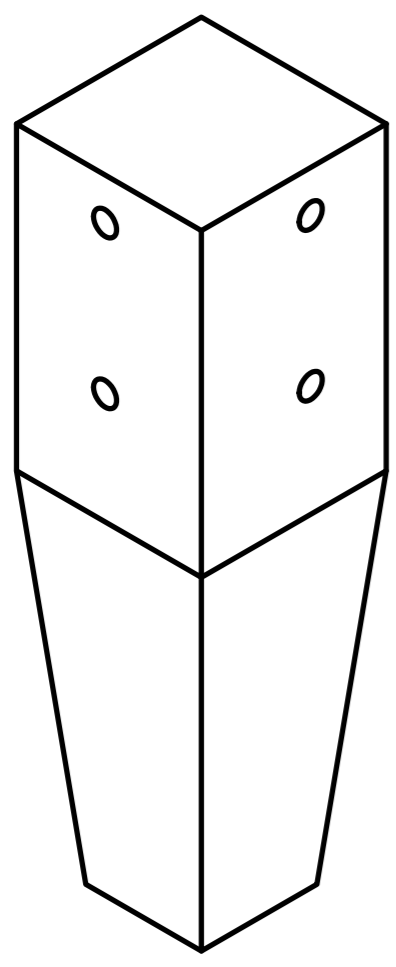
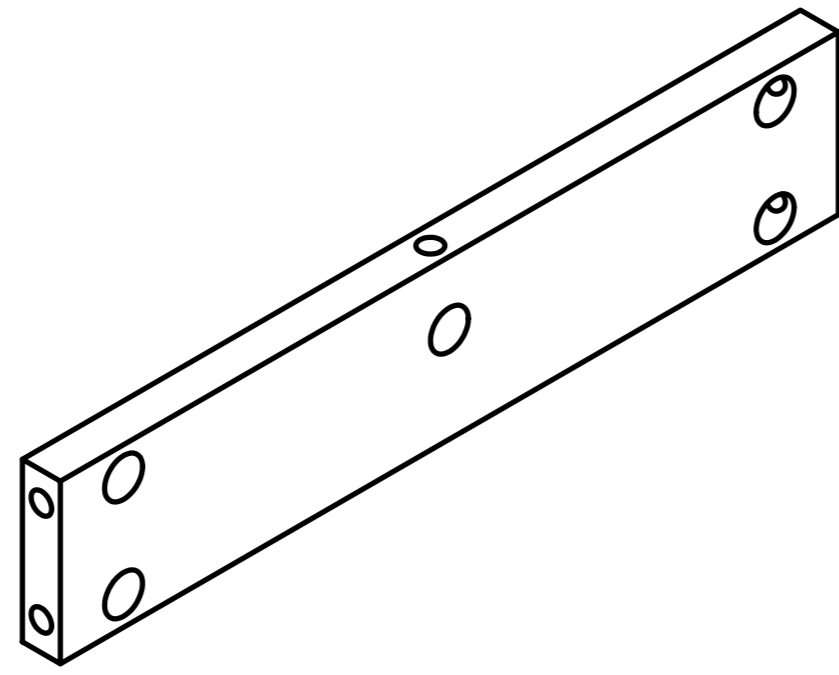


Product Installation Instructions

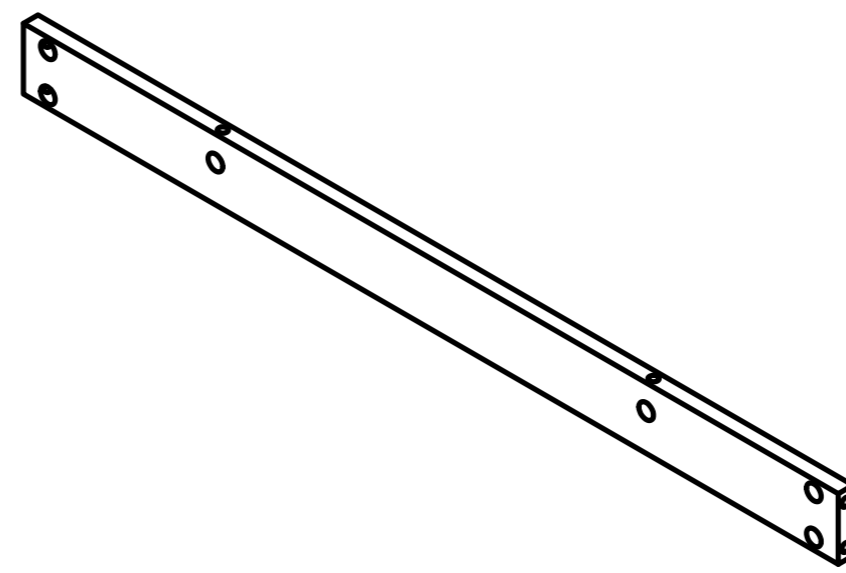




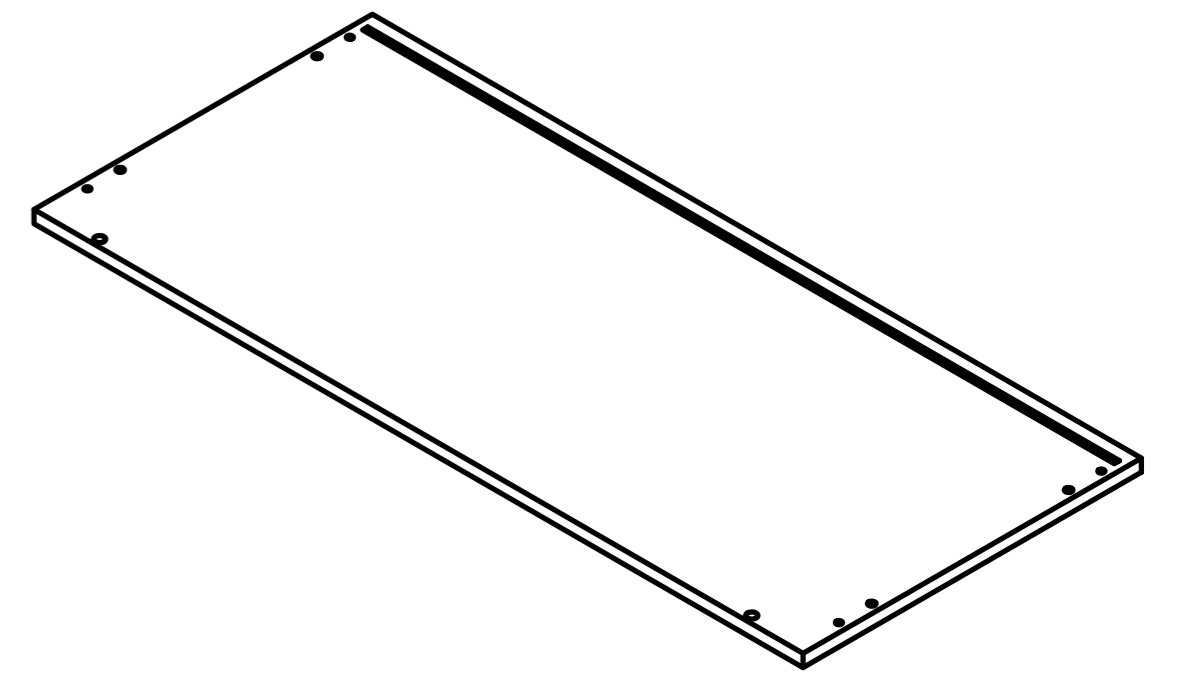
Ax4



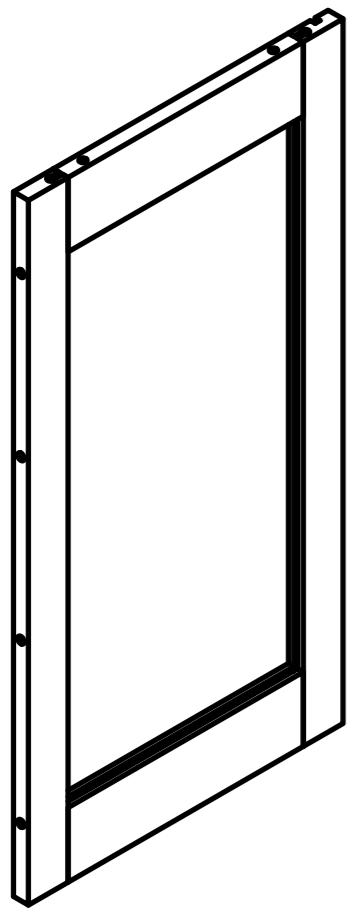
Bx2



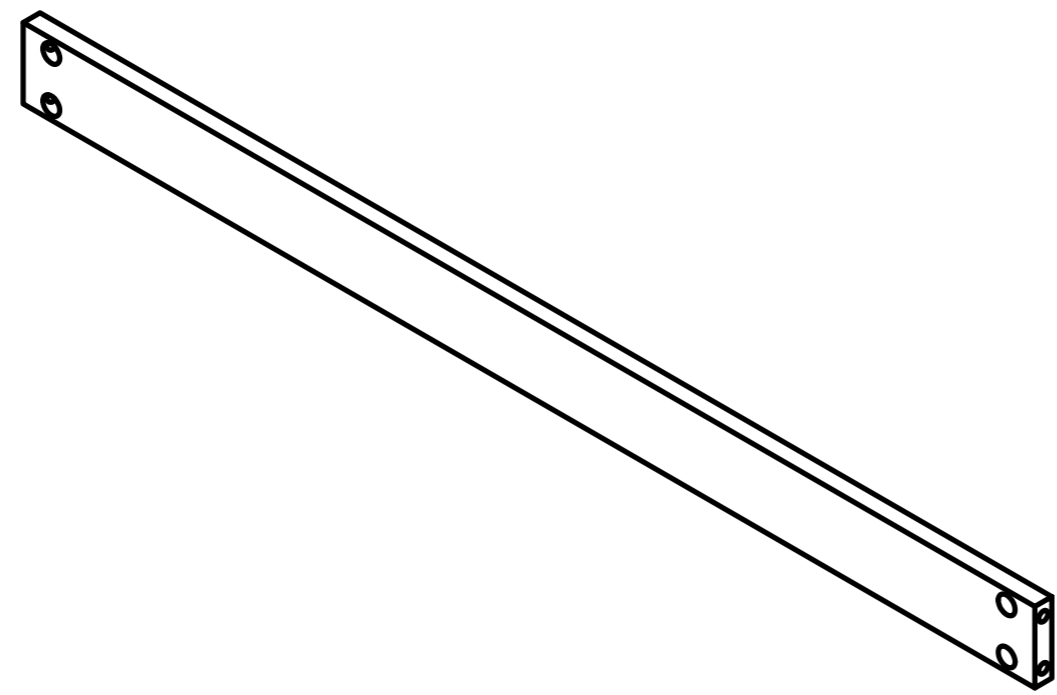
Cx2



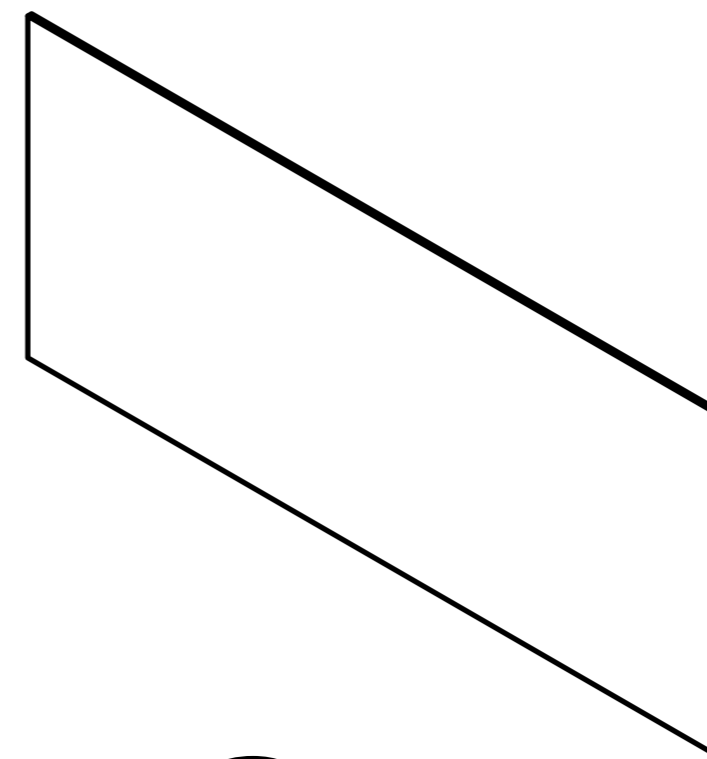
Dx1



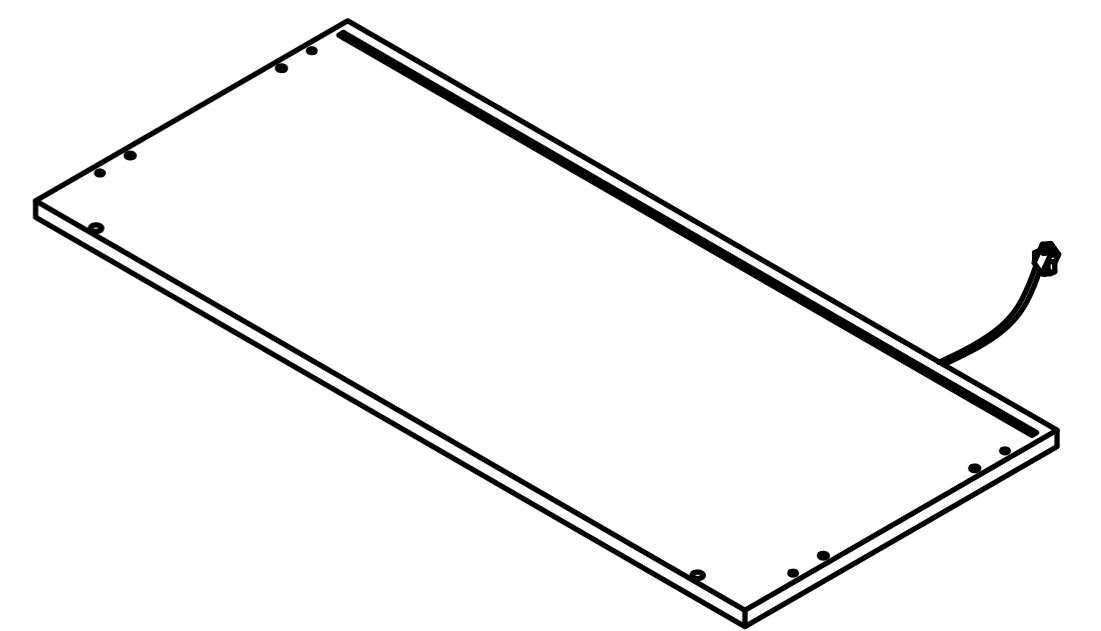
Ex2



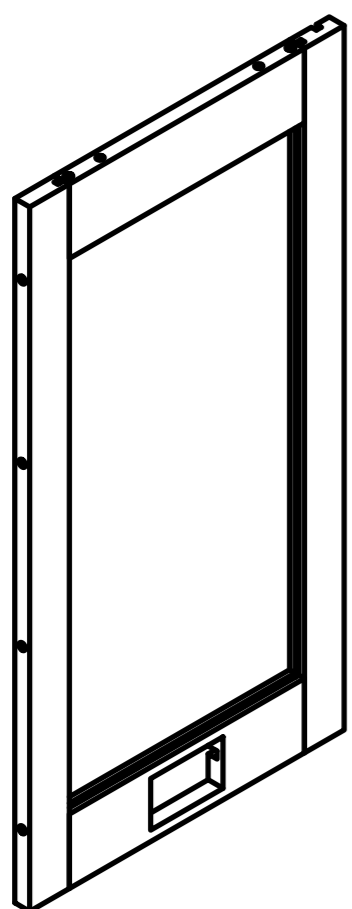
Fx2



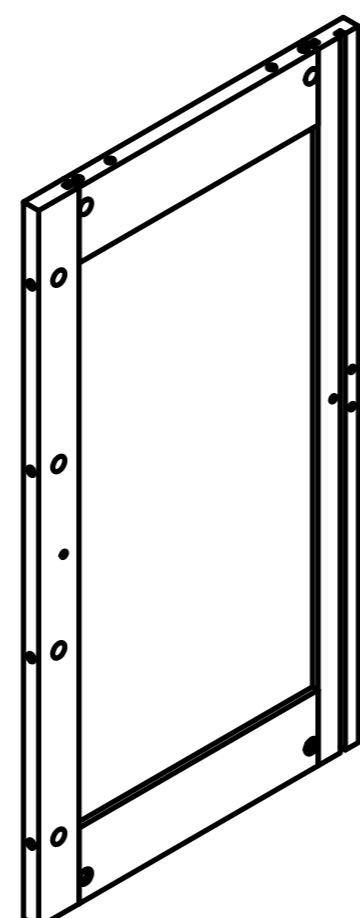
Gx4



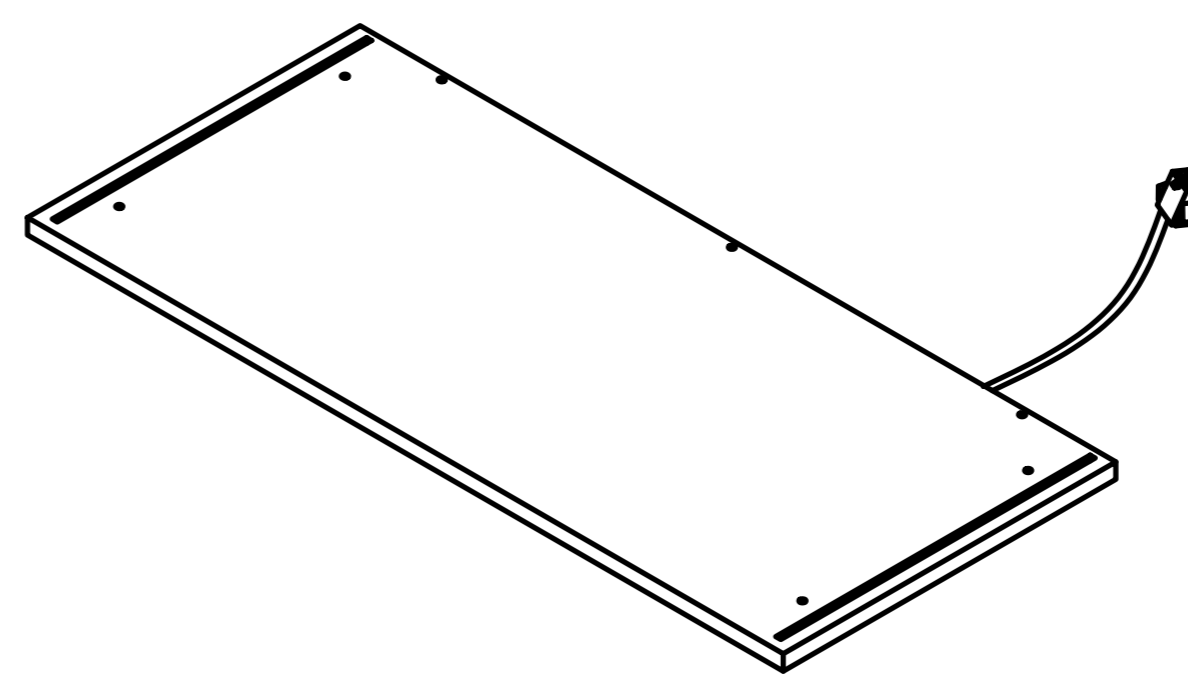
Hx1



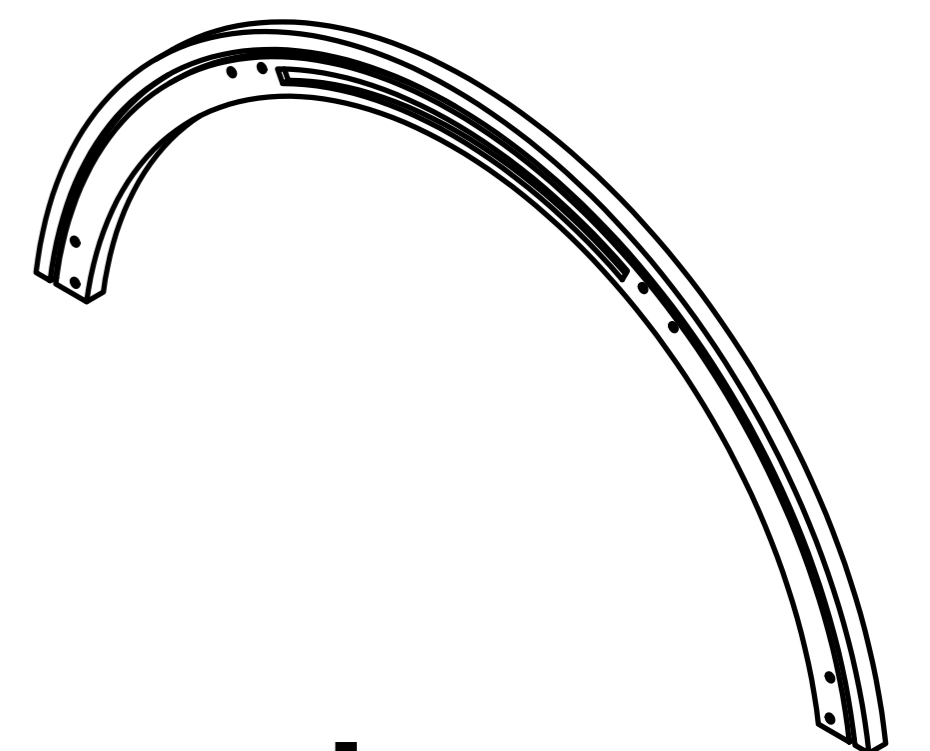
Ix1



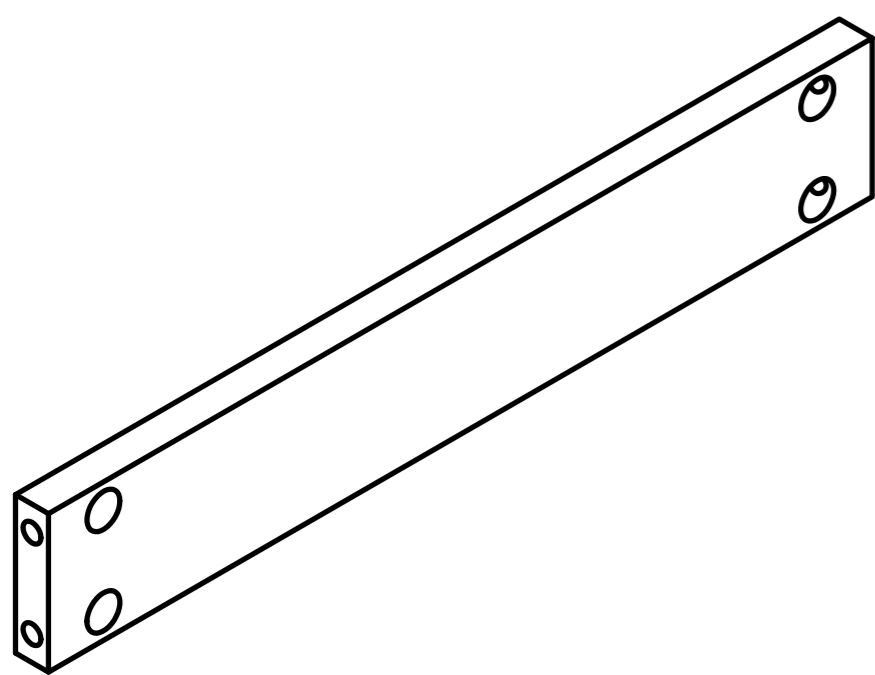
Jx1



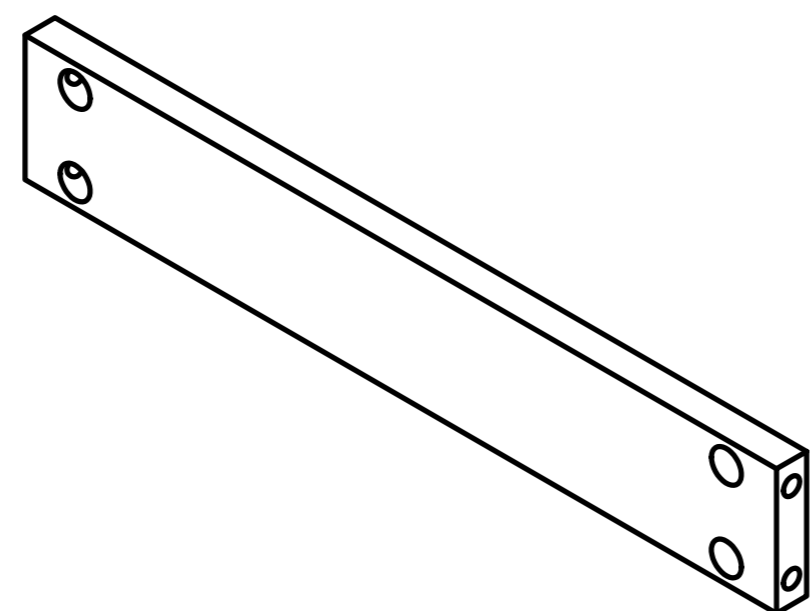
Kx1



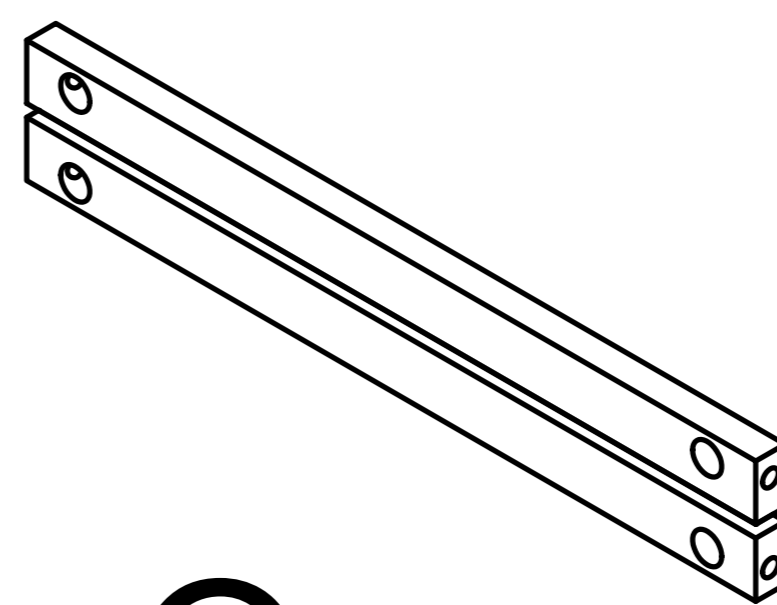
Lx1



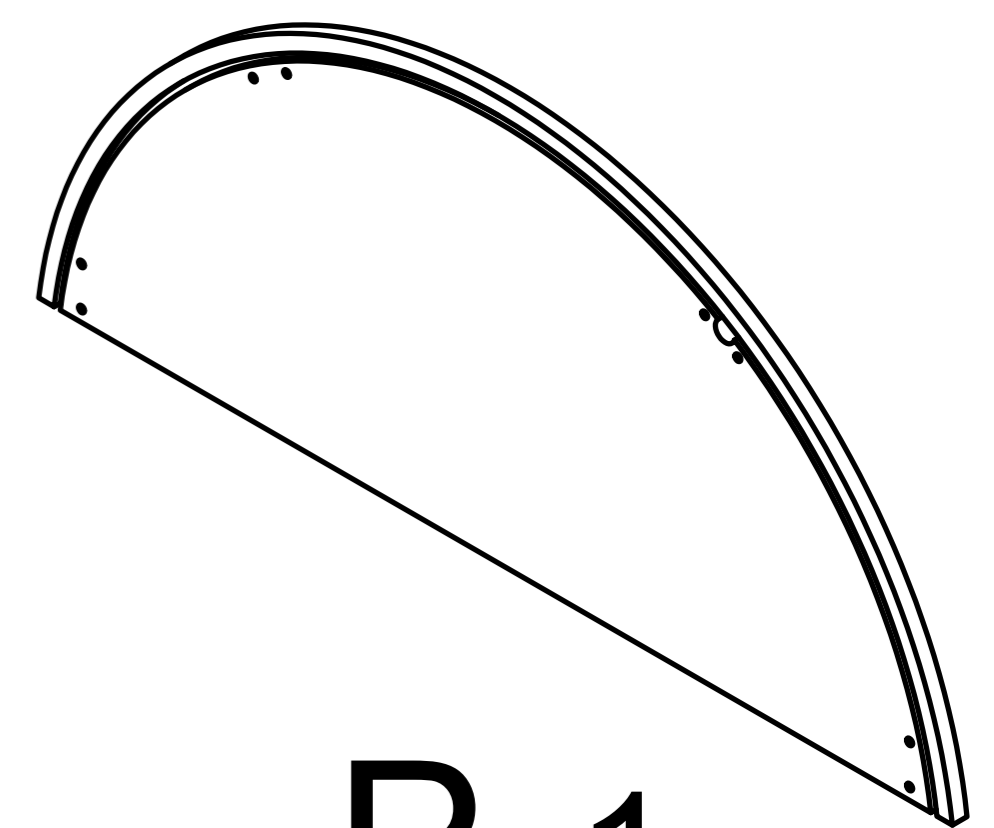
Mx2



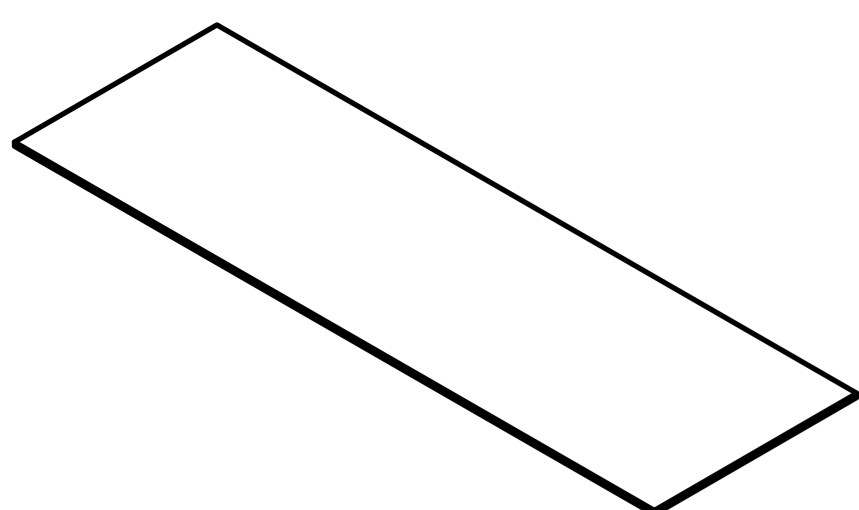
Nx1



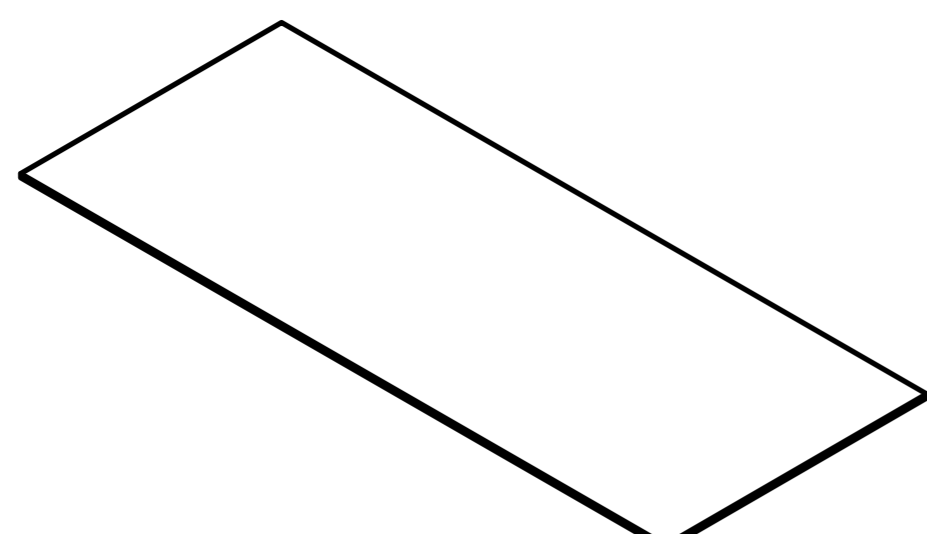
Ox1



Px1



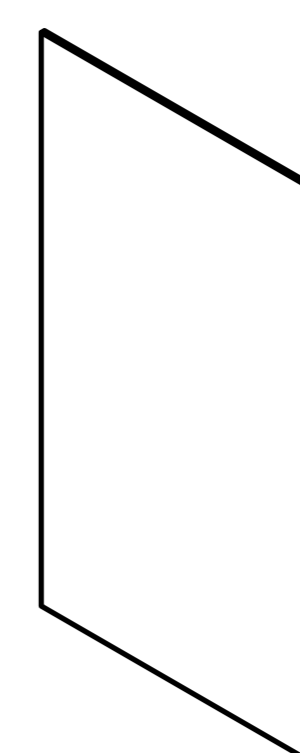
Qx1



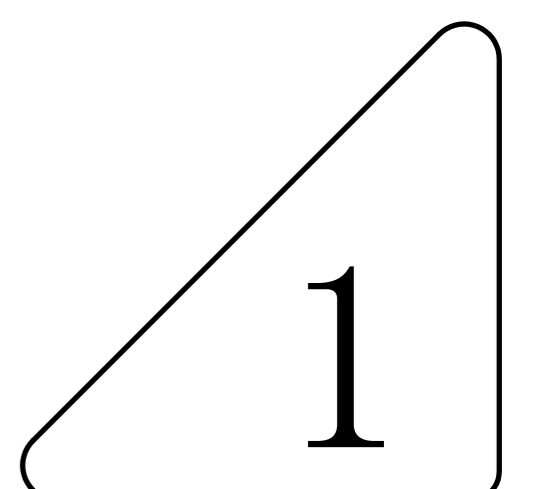
Rx2



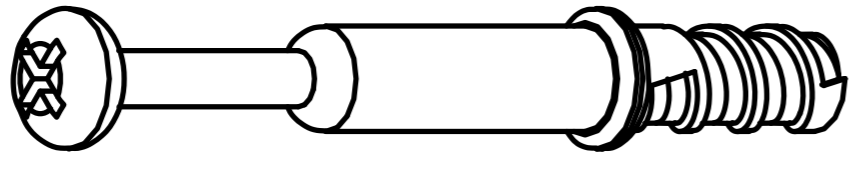
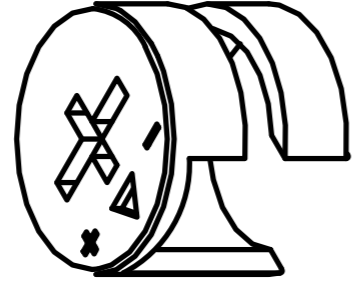

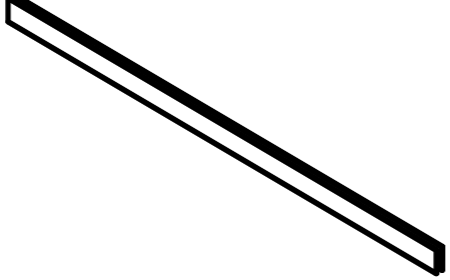
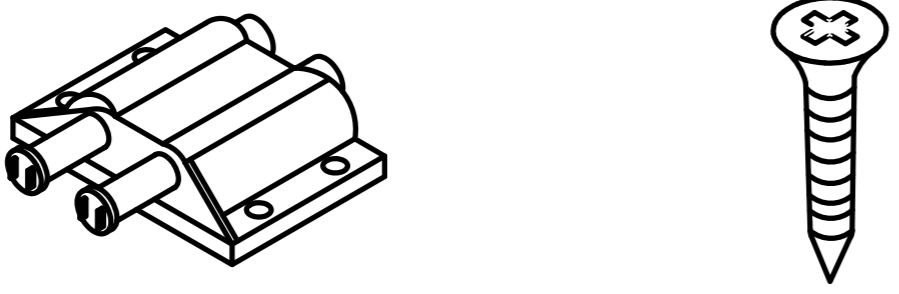
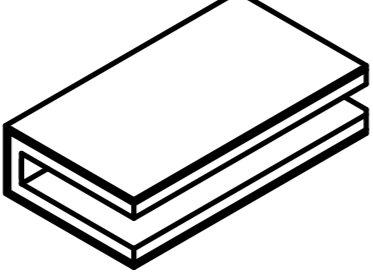
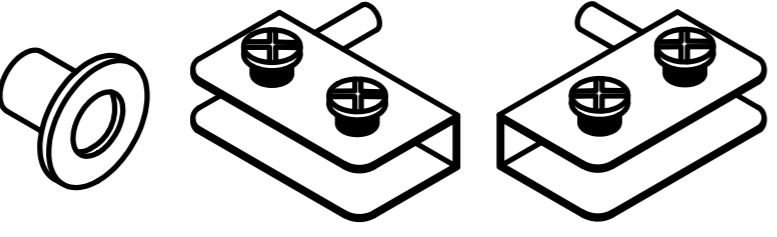

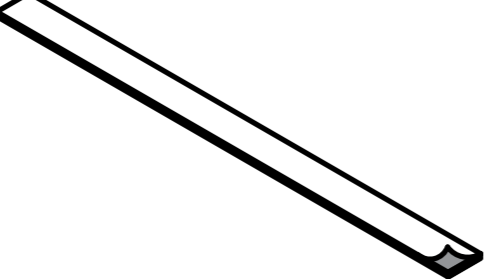
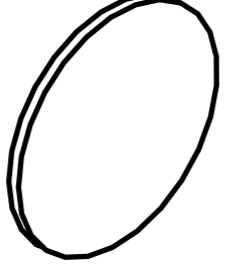
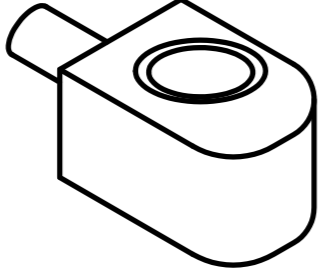

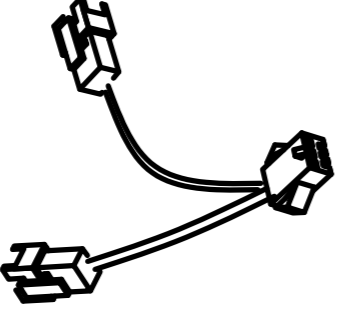
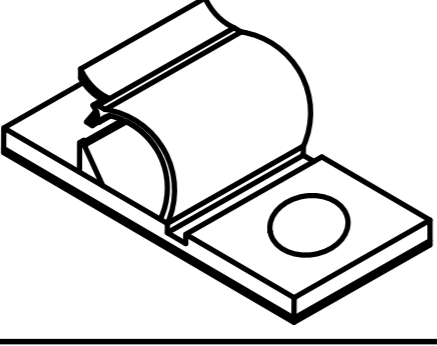
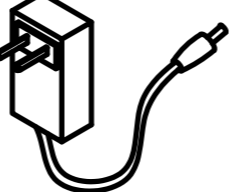
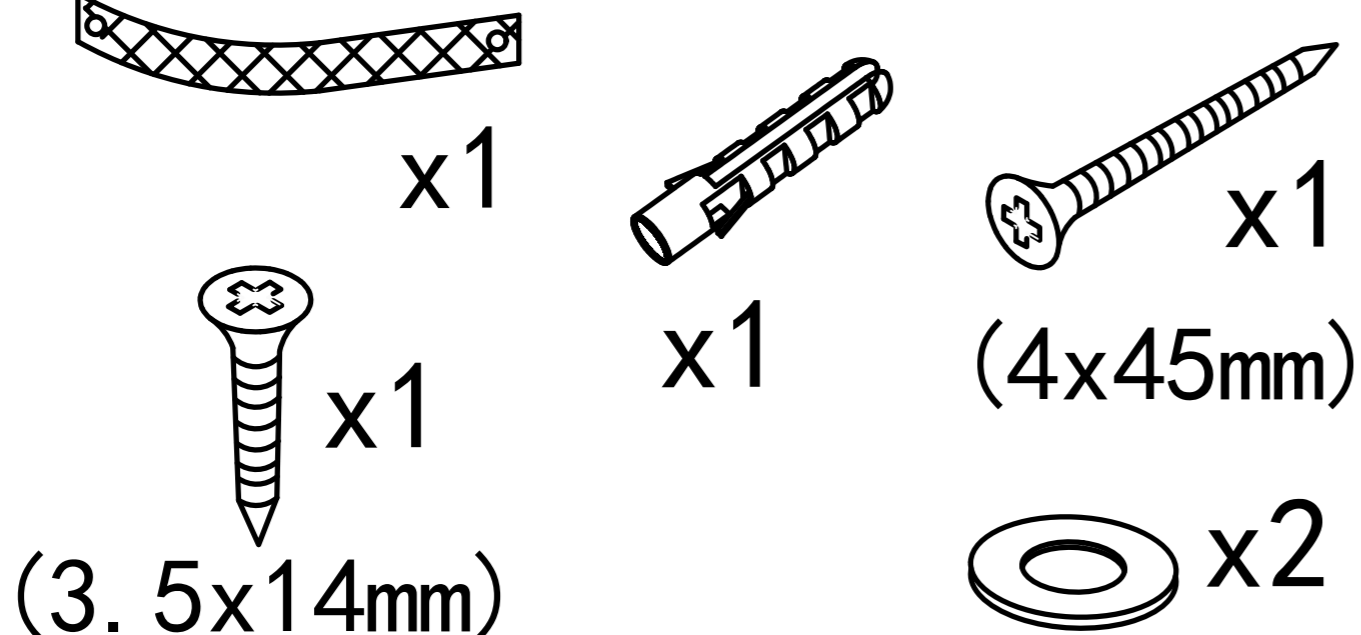
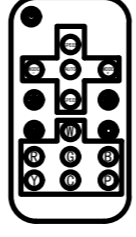
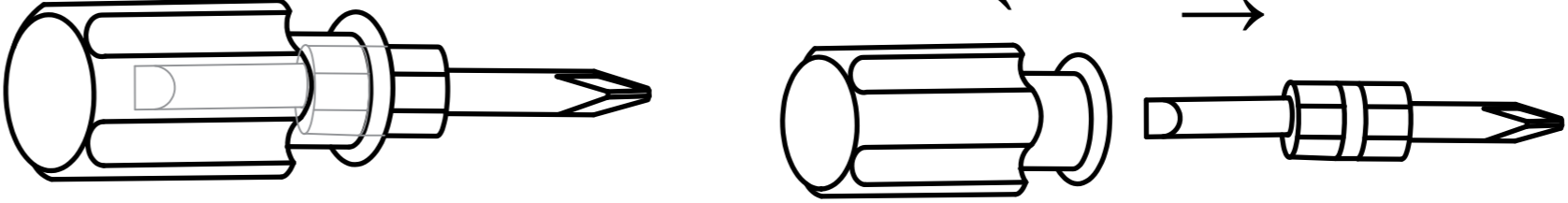
Sx4

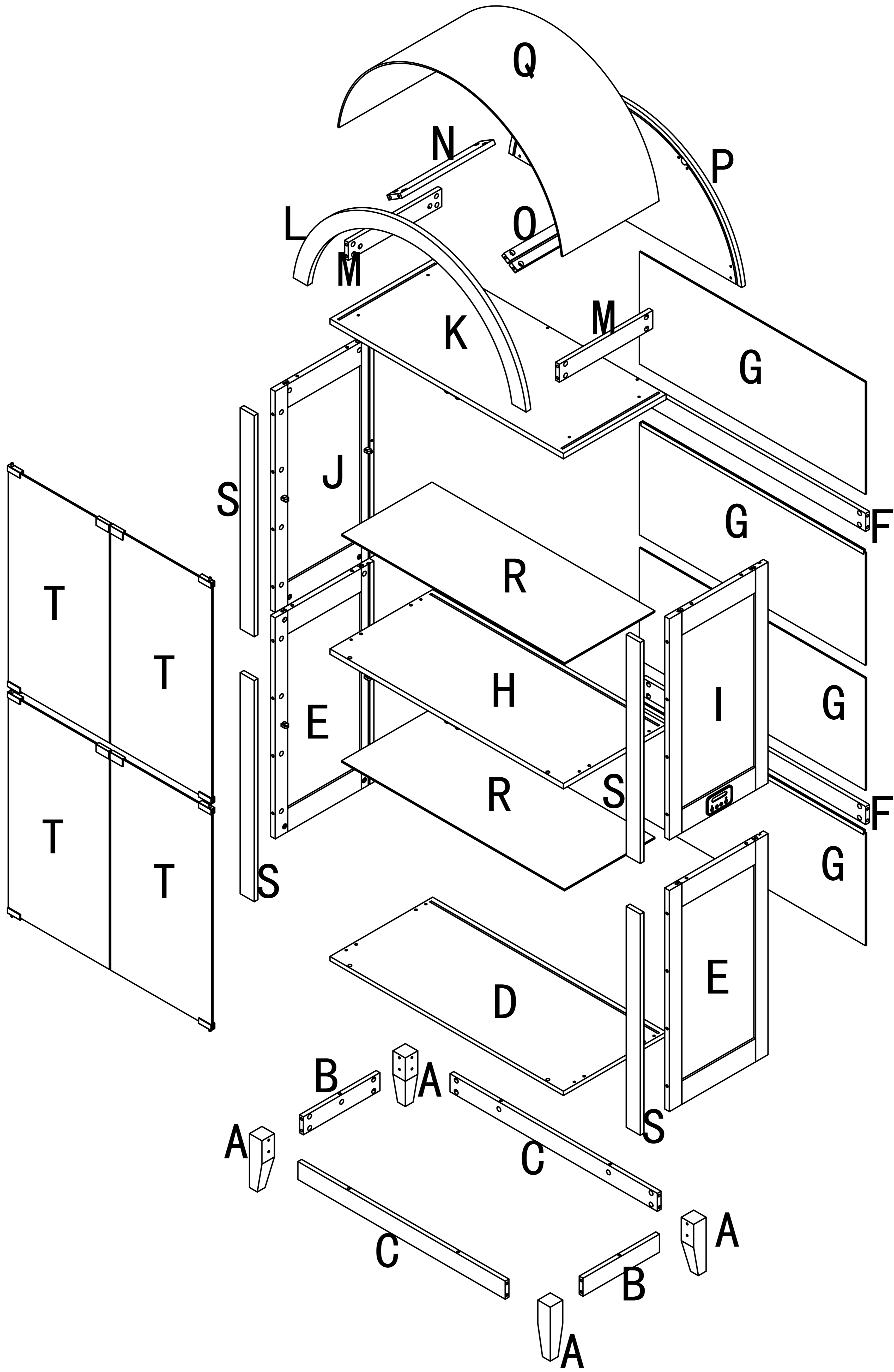


Tx4



1

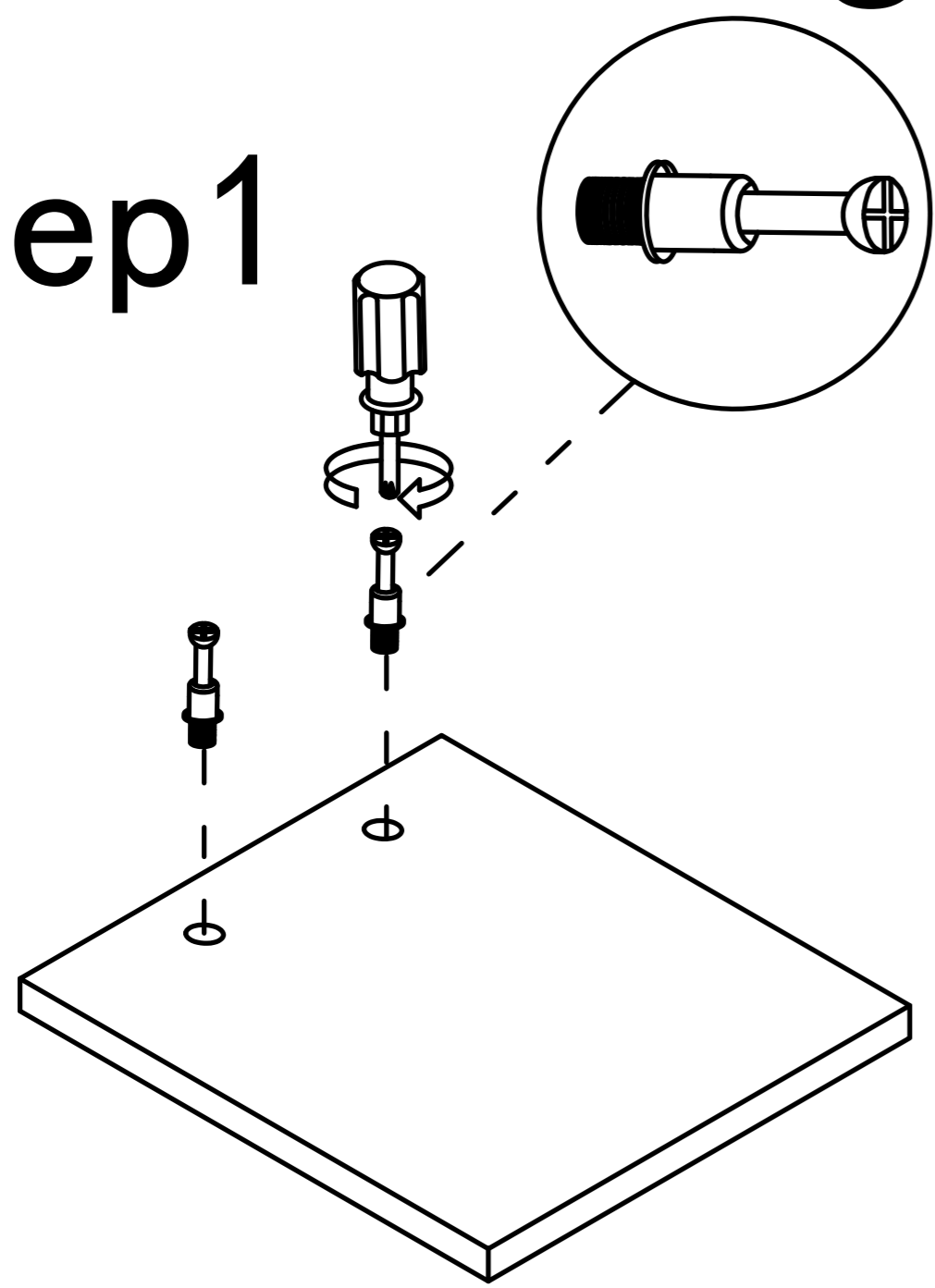
①		Two In One Screw (6x28mm)	85pcs +9pcs
②		Two In One Nut (10x12mm)	85pcs +9pcs
③		Wood Chipping (6x30mm)	16pcs +2pcs
④		Backboard card strip (715mm)	2pcs
⑤		Rebound device & Screw (3x16mm)	8pcs +2pcs 2pcs
		Iron sheet	4pcs
		Hinge	8pcs 4pcs 4pcs
⑥		Wire	1pcs
⑦		Sticker (371mm)	1pcs
⑧		Sticker (Ø20mm)	4pcs +1pcs
⑨		Laminate Support Nail	8pcs +1pcs
⑩		Fixing clip & screw (3x16mm)	16pcs +2pcs
⑪		Forked line	1pcs
⑫		Wire clamp	2pcs +1pcs
⑬	Anti Fall Hardware		AC/DC Adapter (12V = 3.0A)
			remote control 1pcs
			Double-head screwdriver, use as required



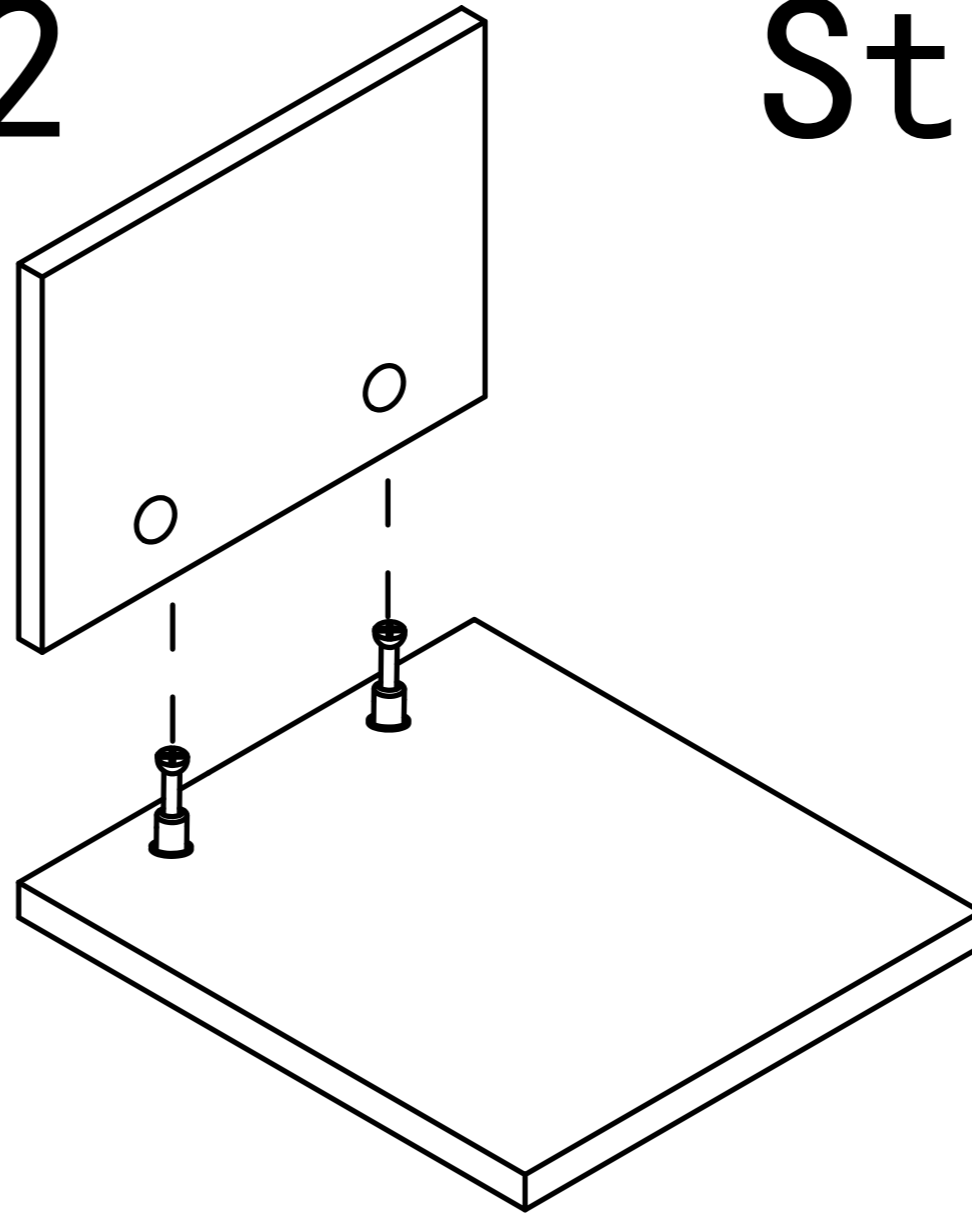
Product structure decomposition

Use parts ① and ②

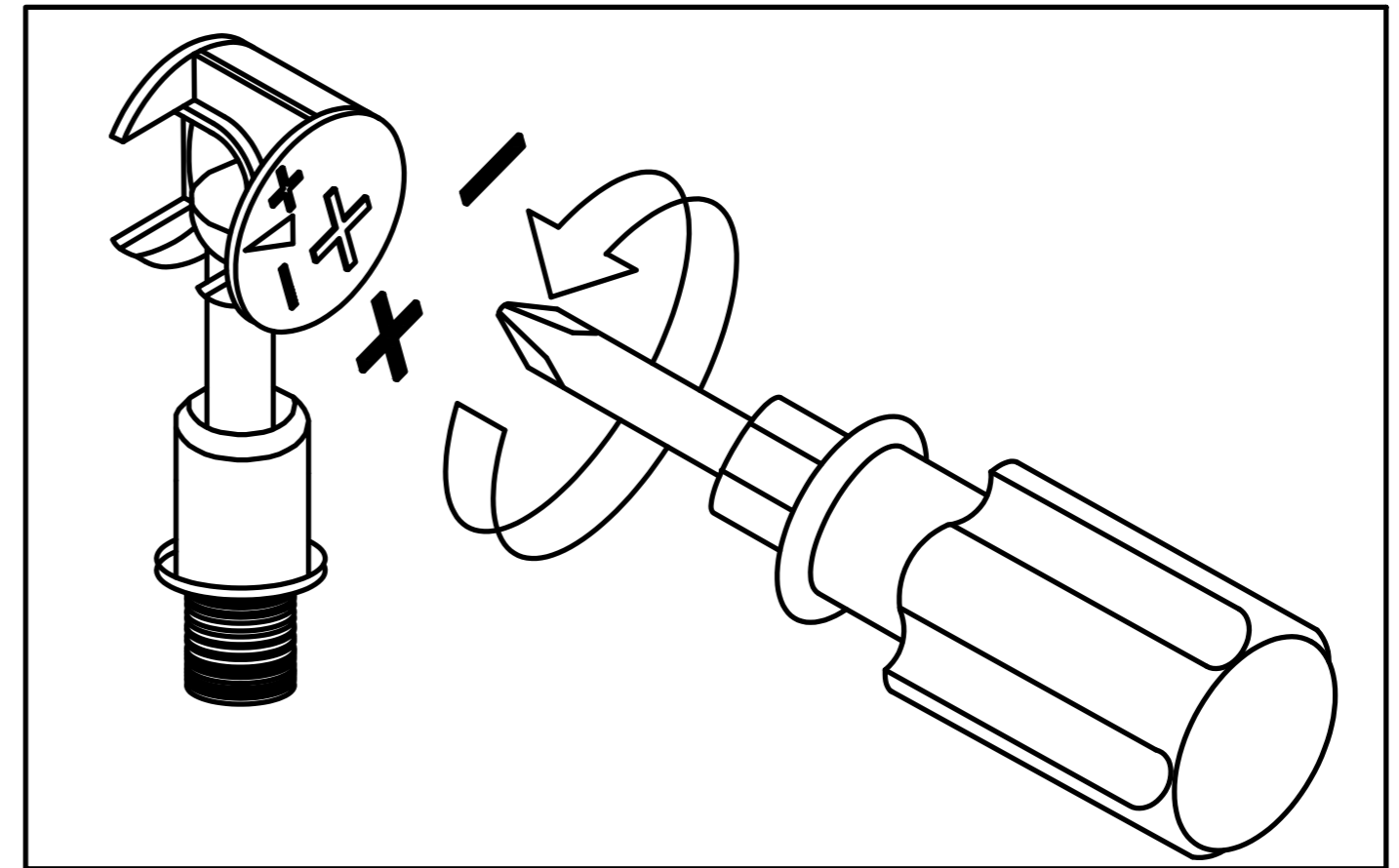
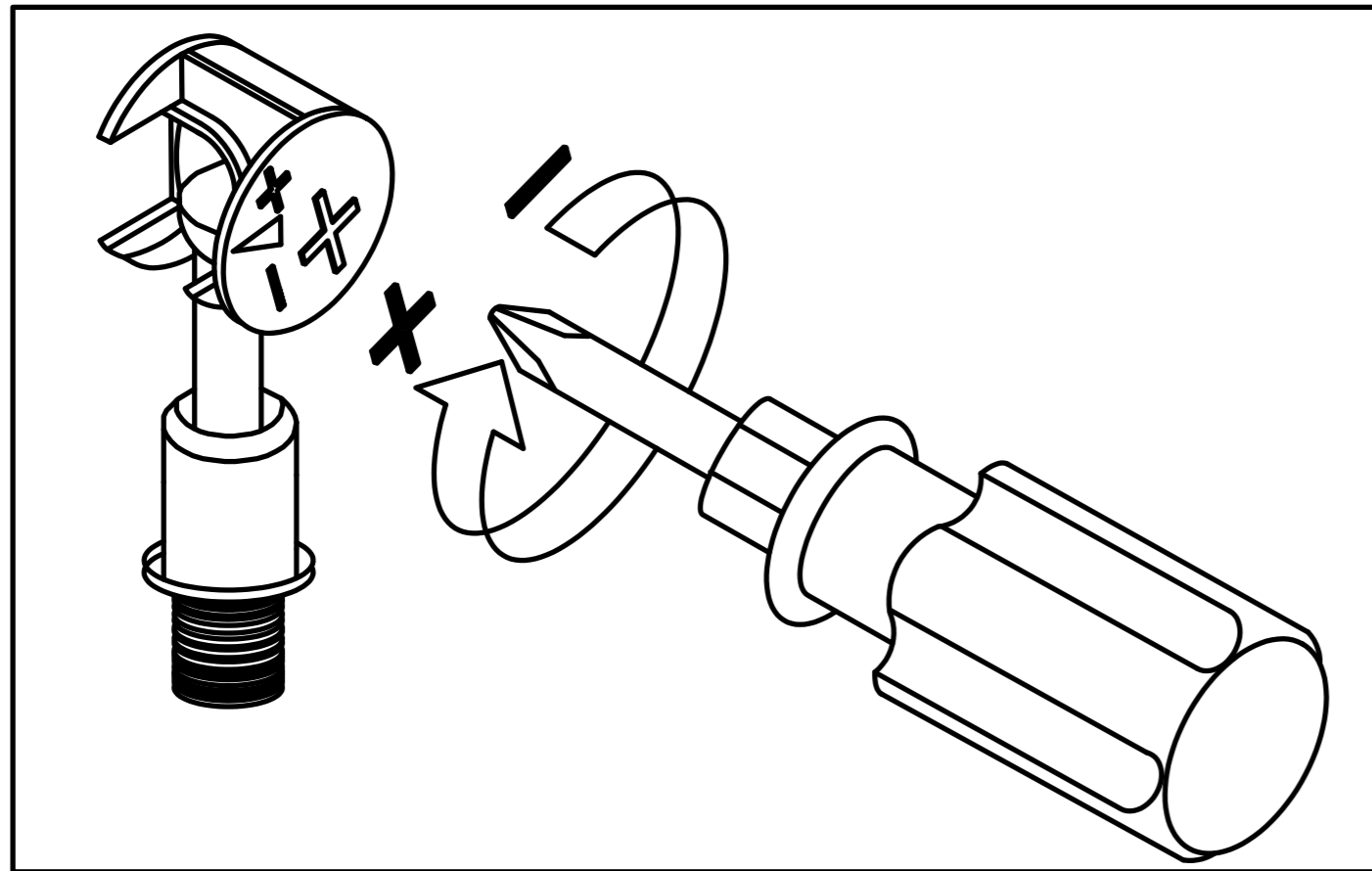
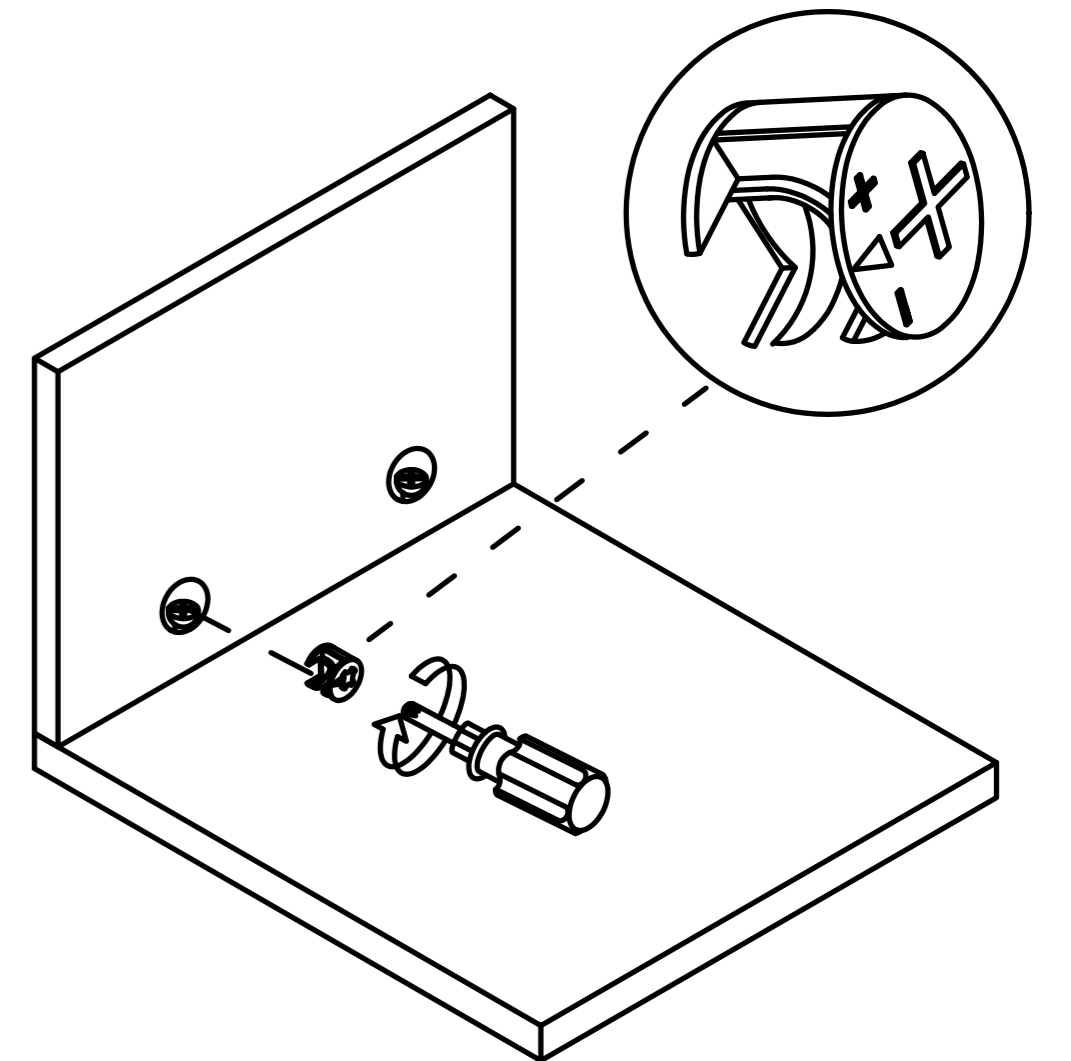
Step 1



Step 2



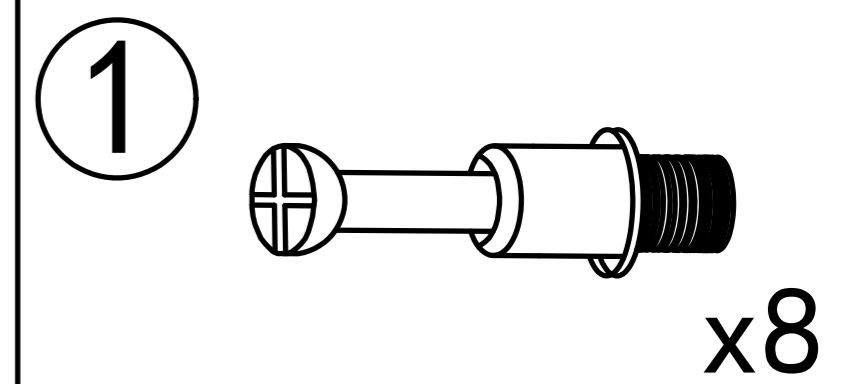
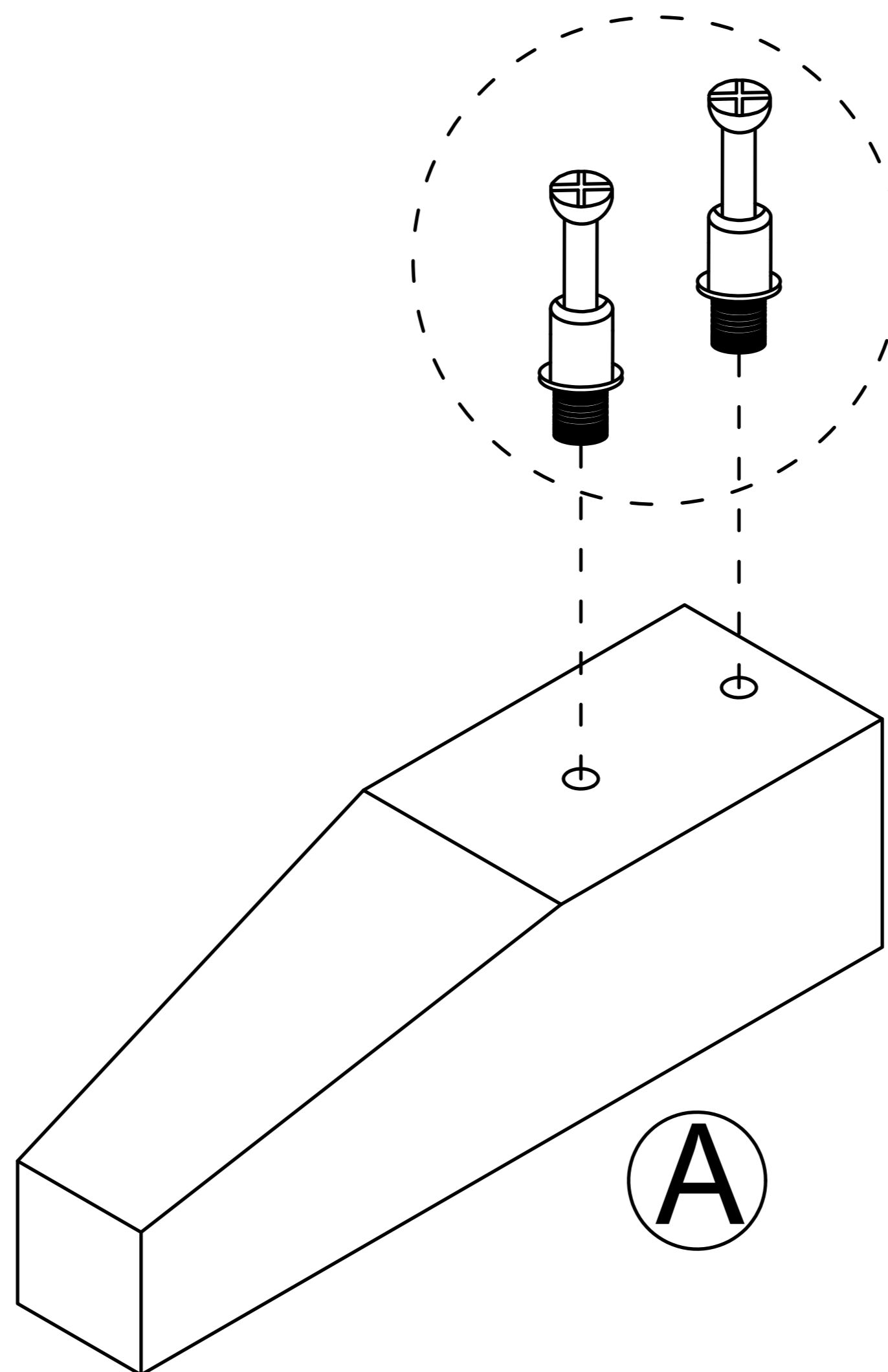
Step 3



Use a screwdriver to lock in the direction of the "+" sign

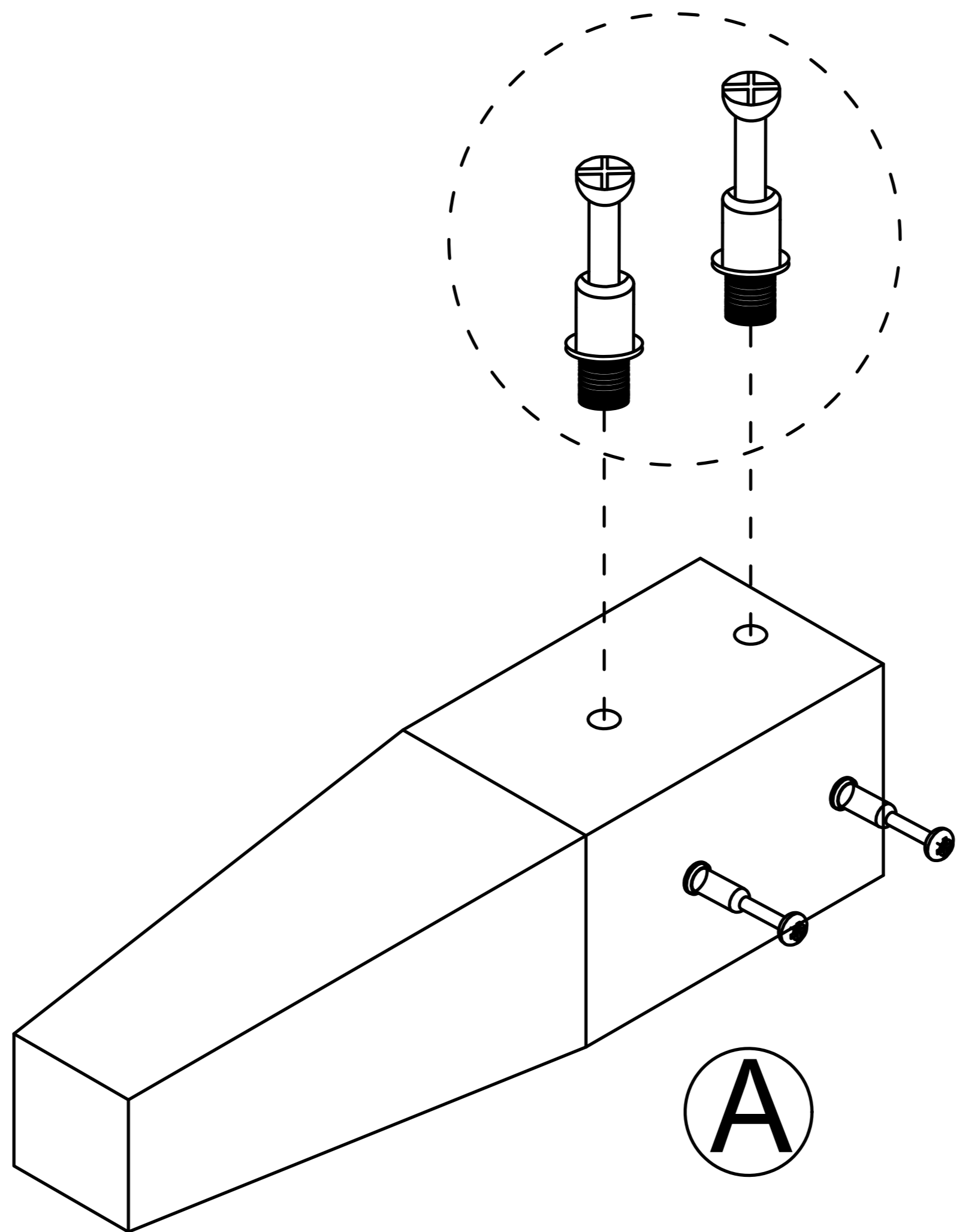
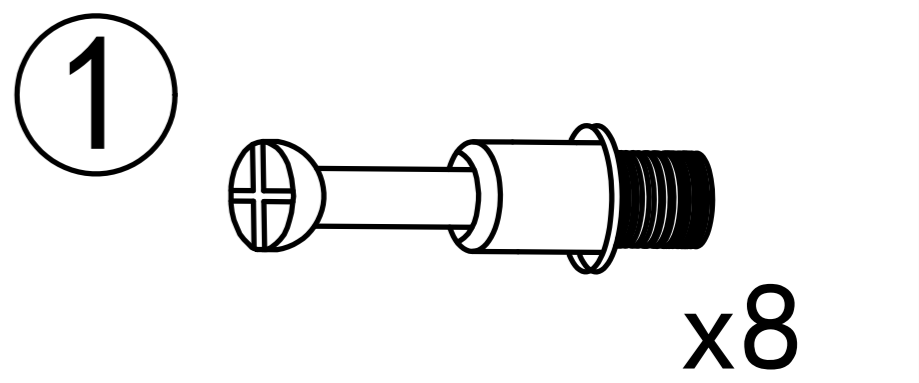
Disassemble along the direction of "-" sign

Step 1



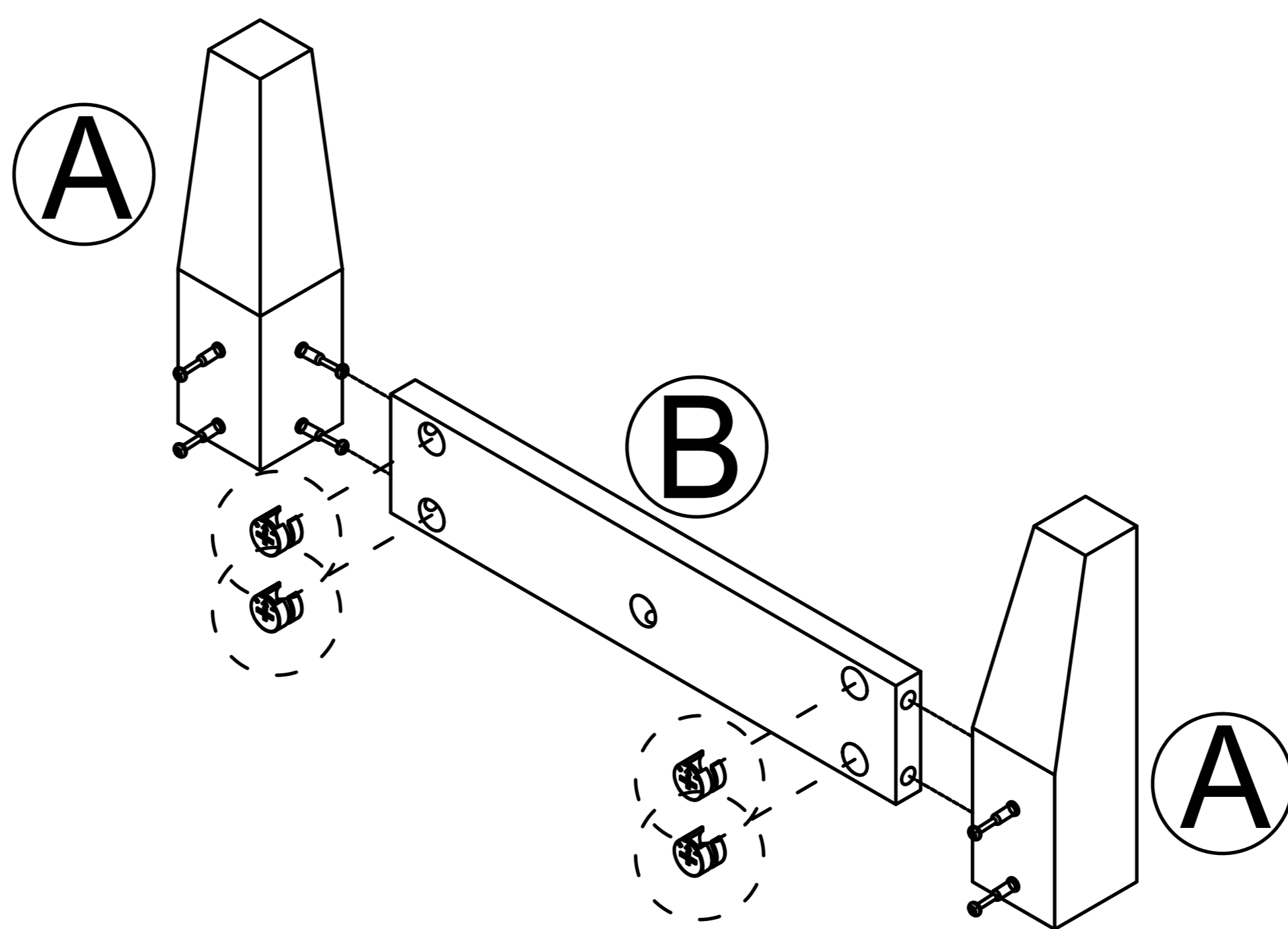
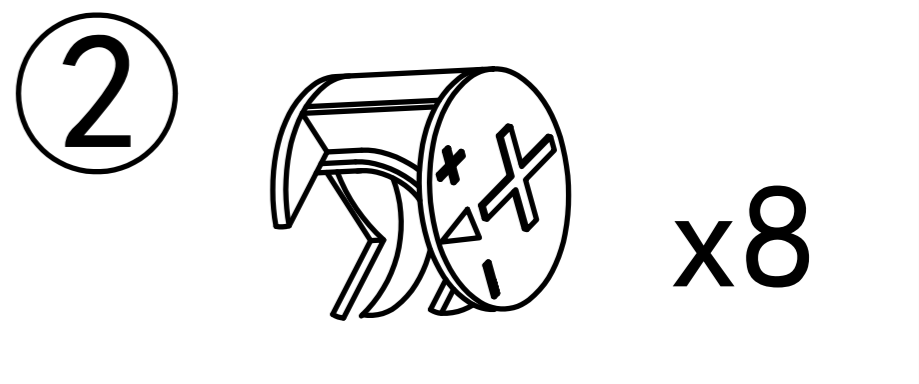
Steps and objects x4

Step 2



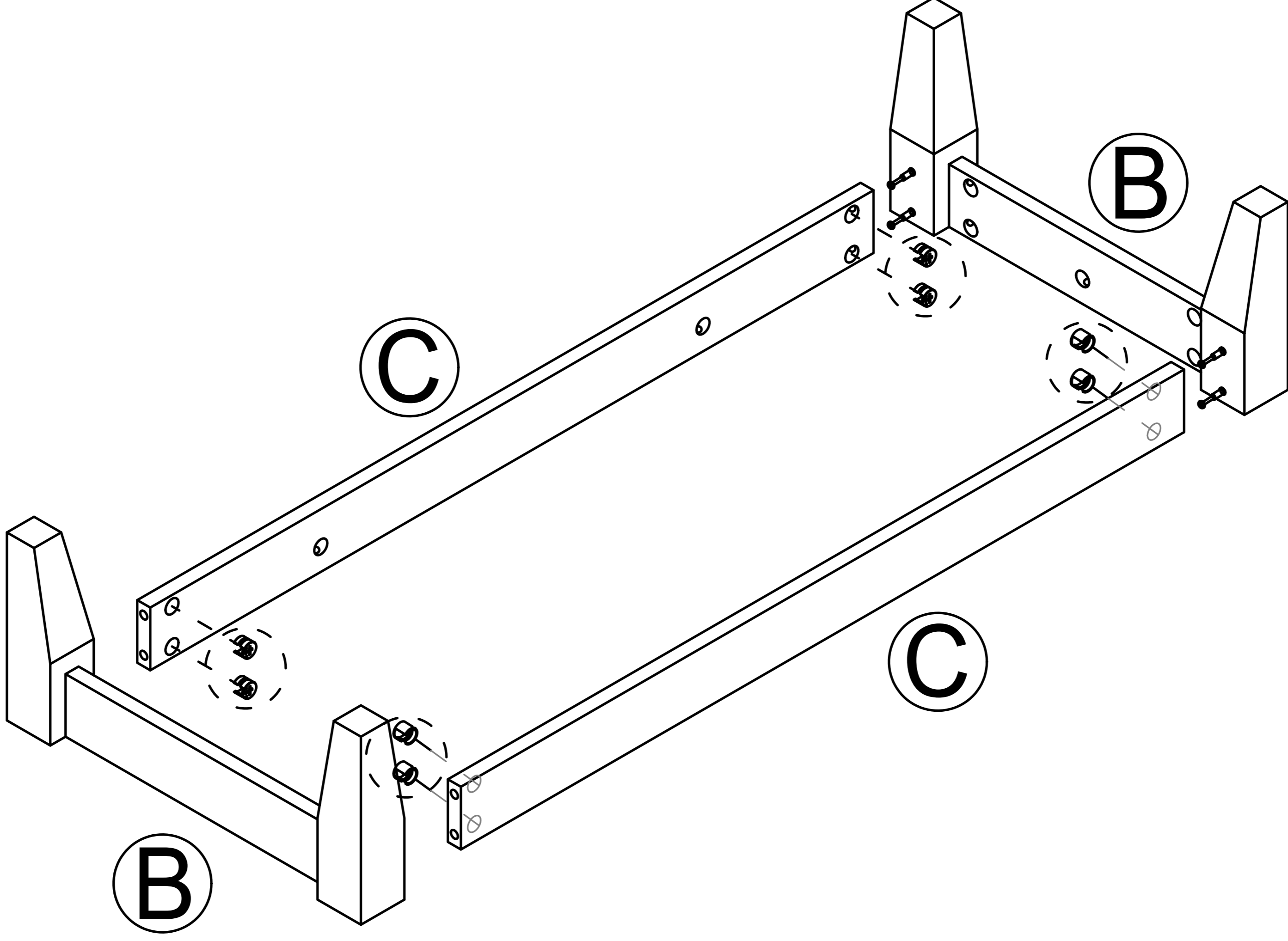
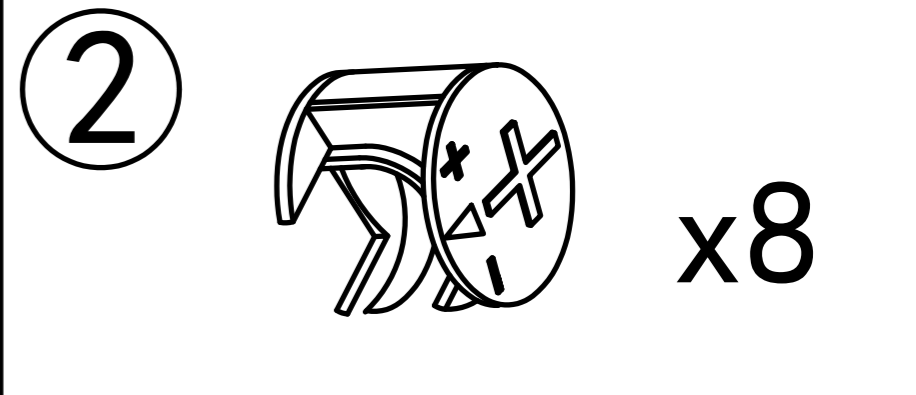
Steps and objects x4

Step 3

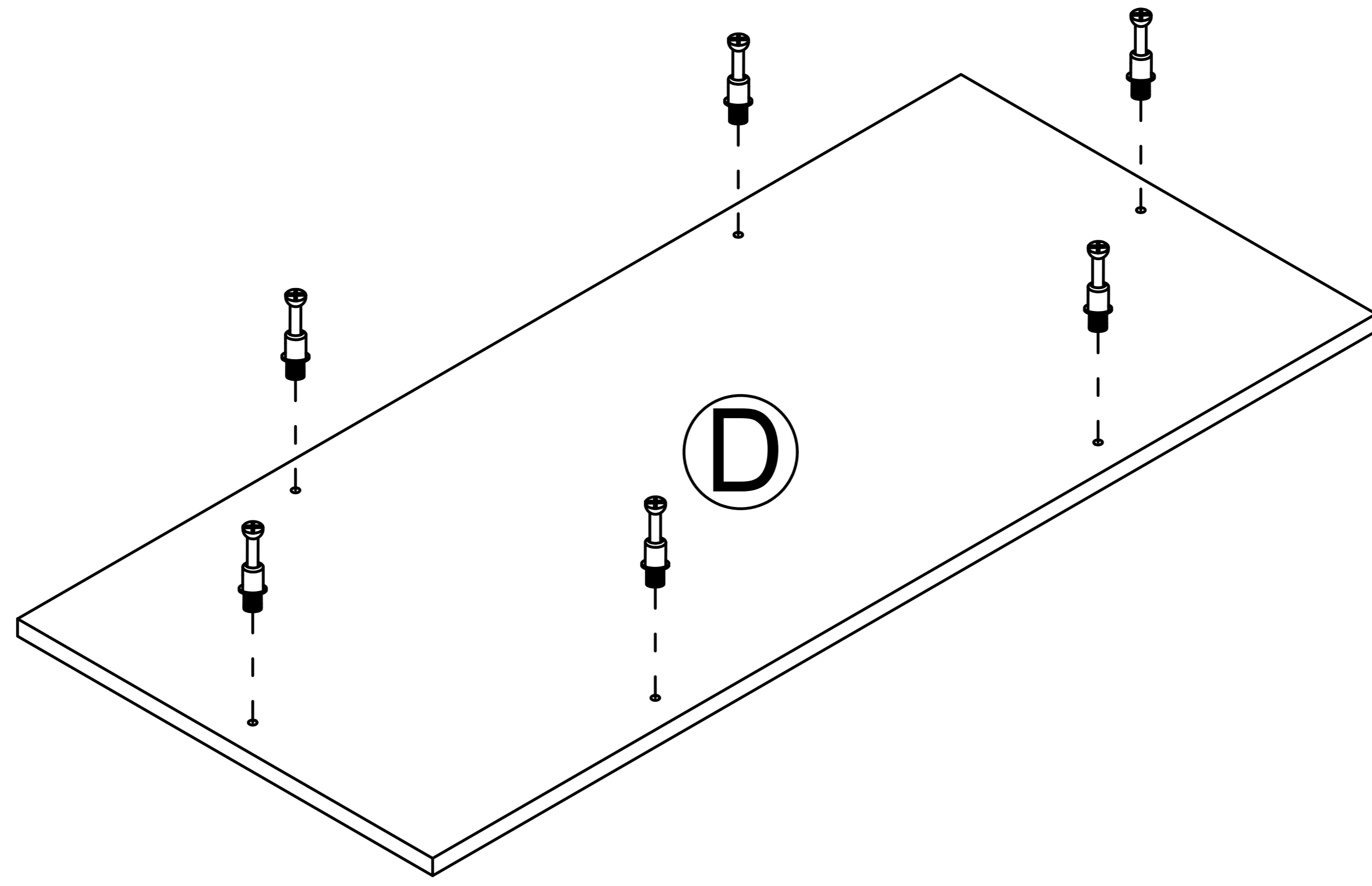
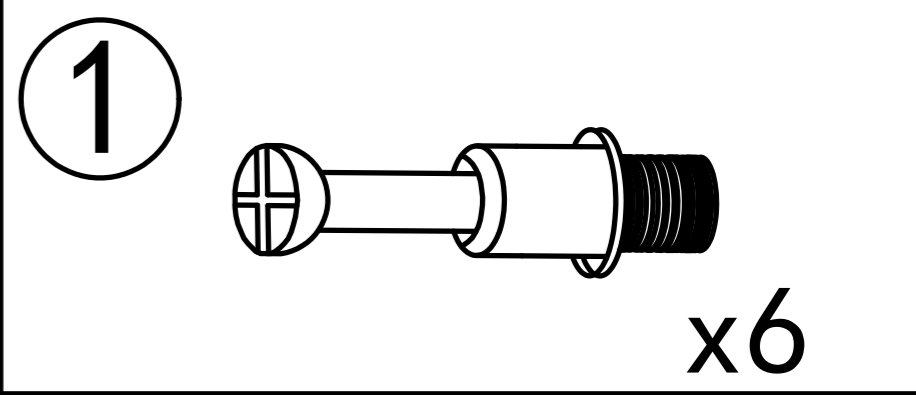


Steps and objects x2

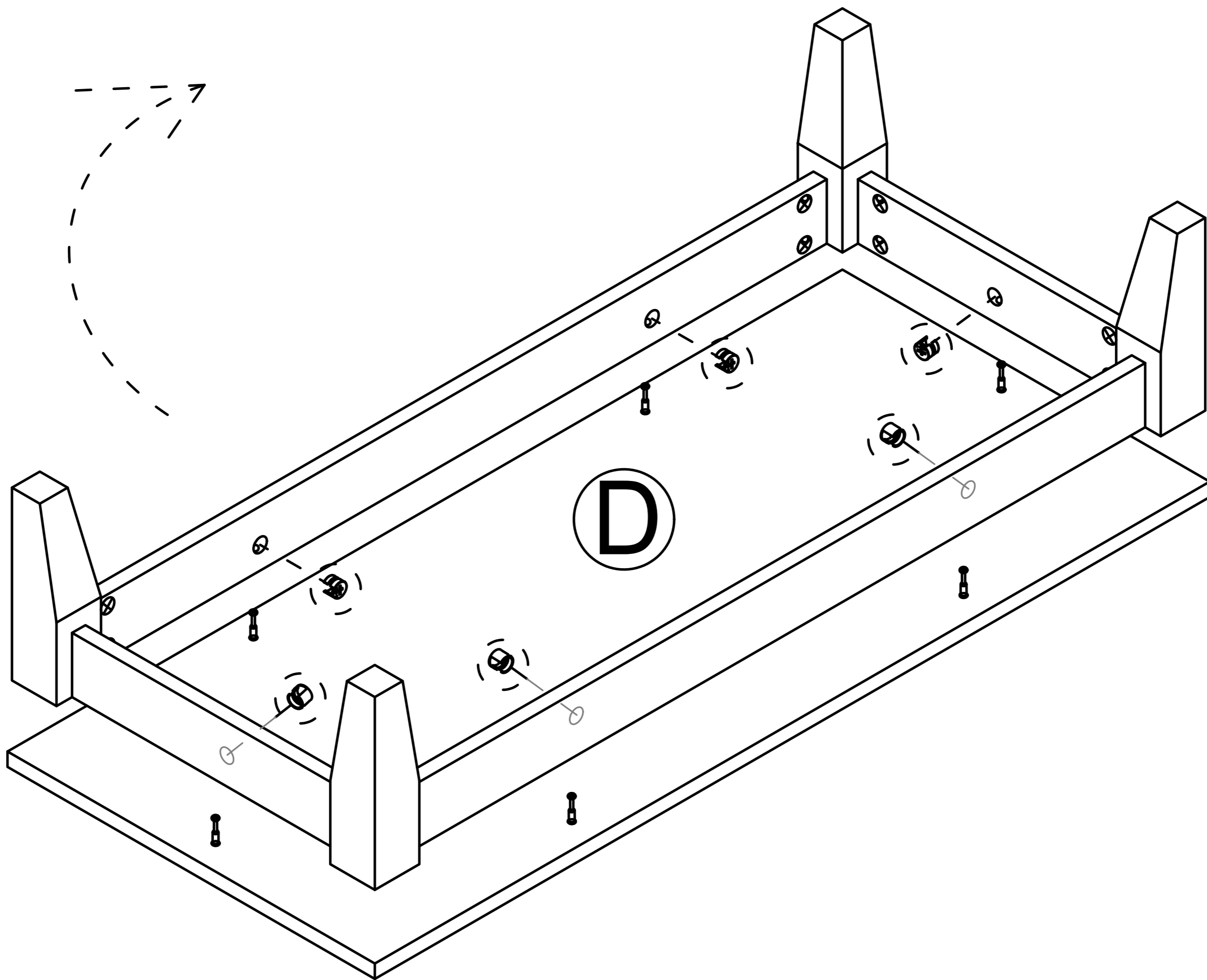
Step 4



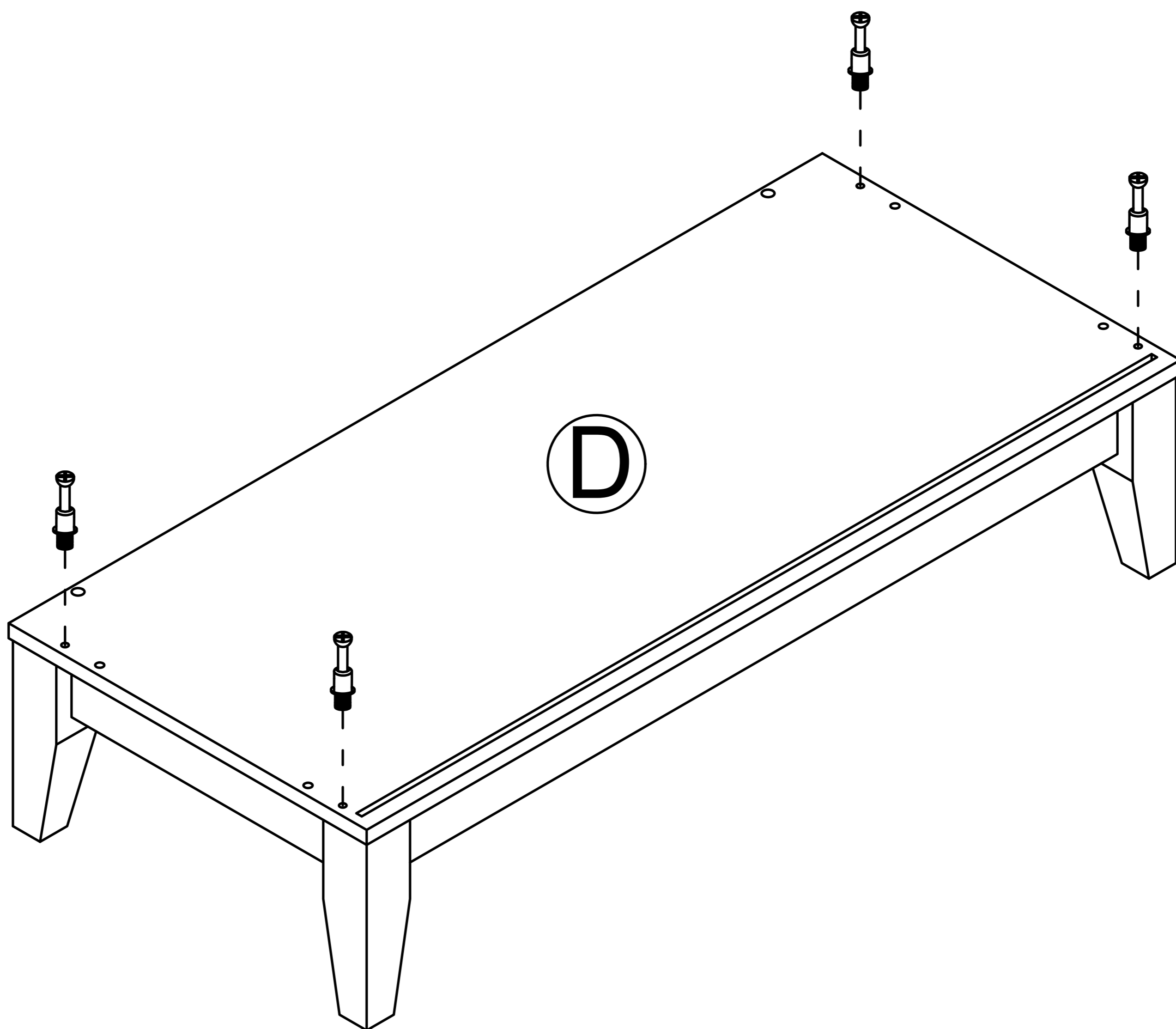
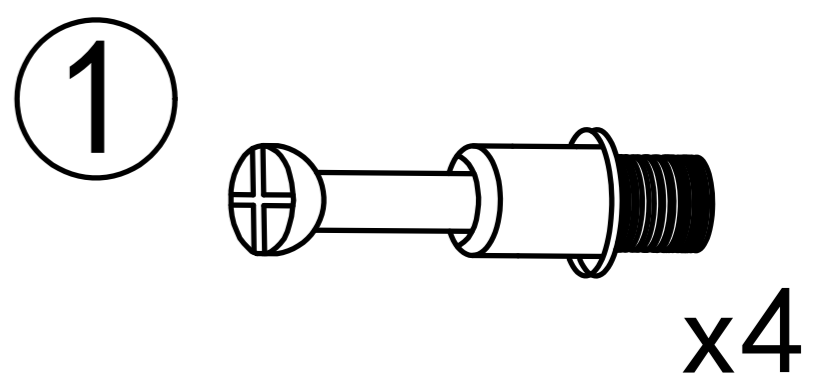
Step 5



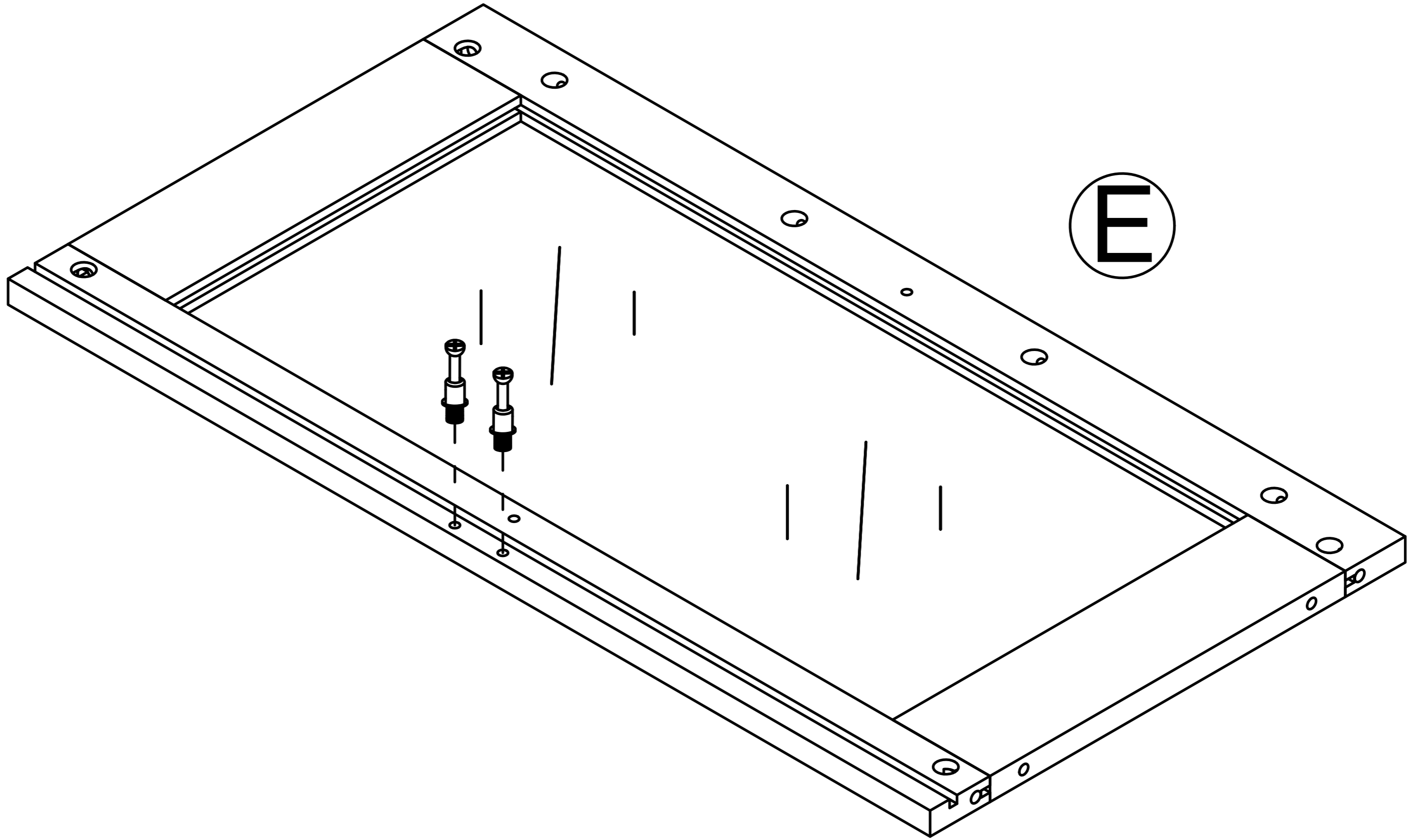
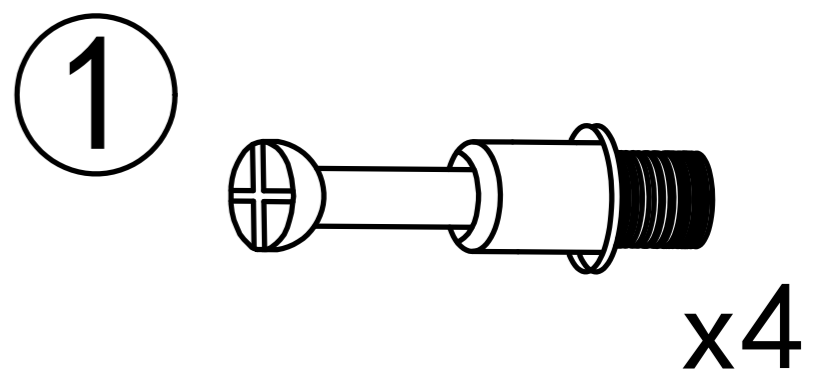
Step 6



Step 7

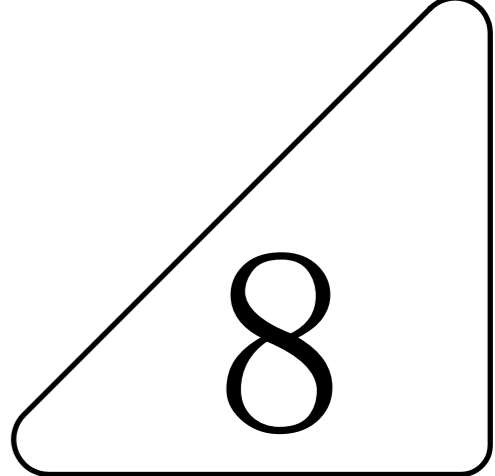
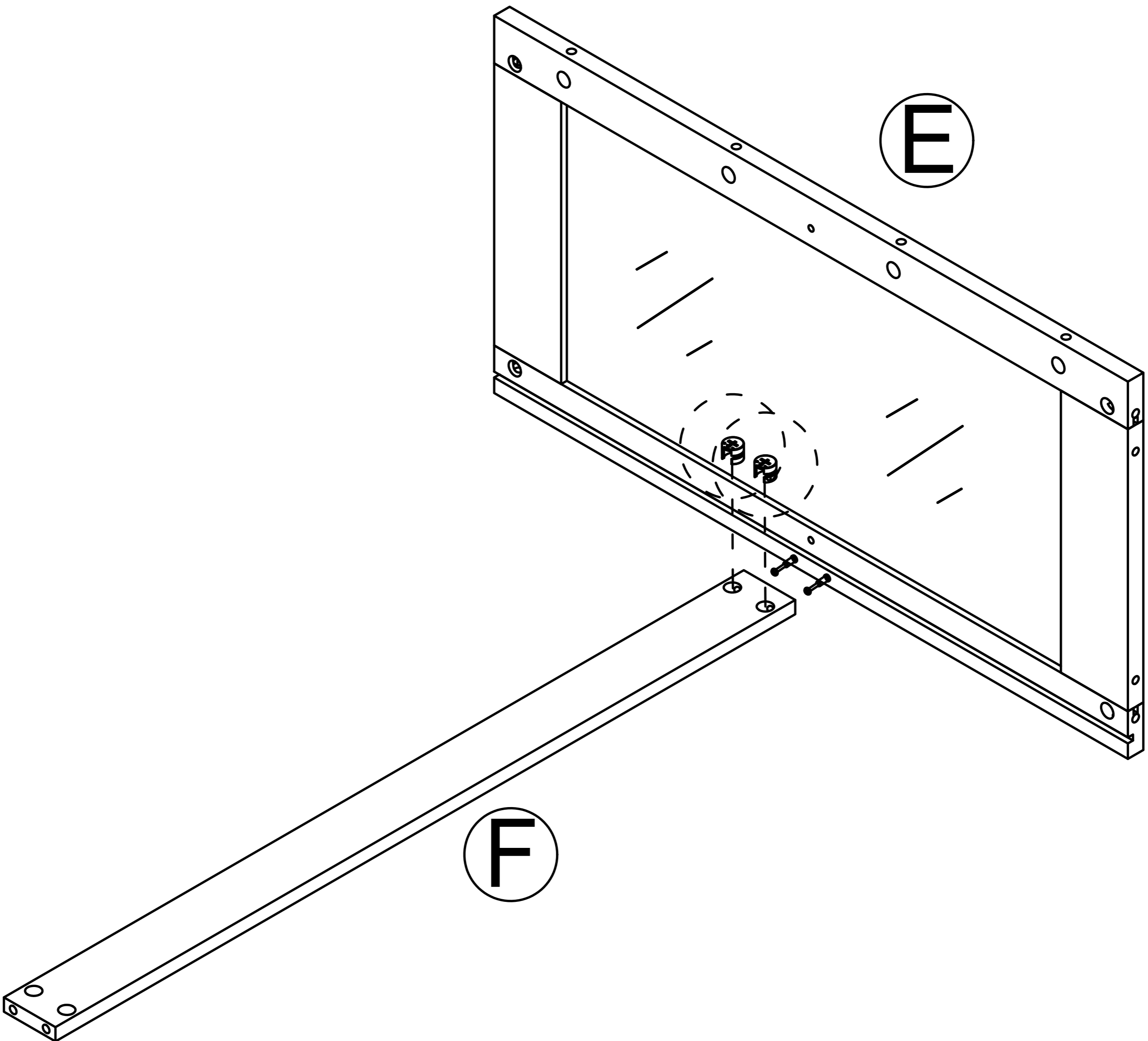
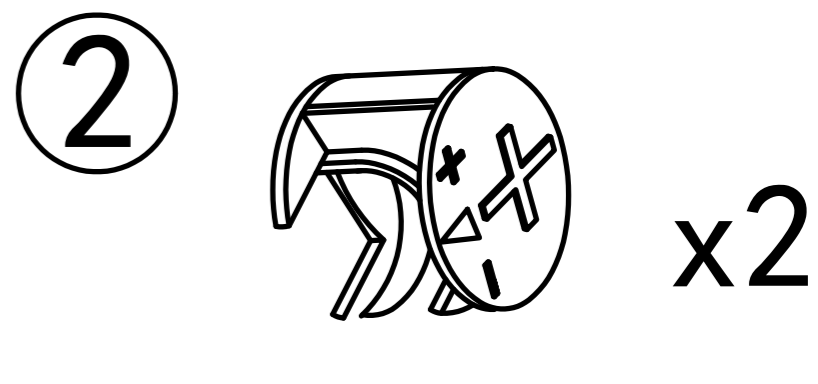


Step 8

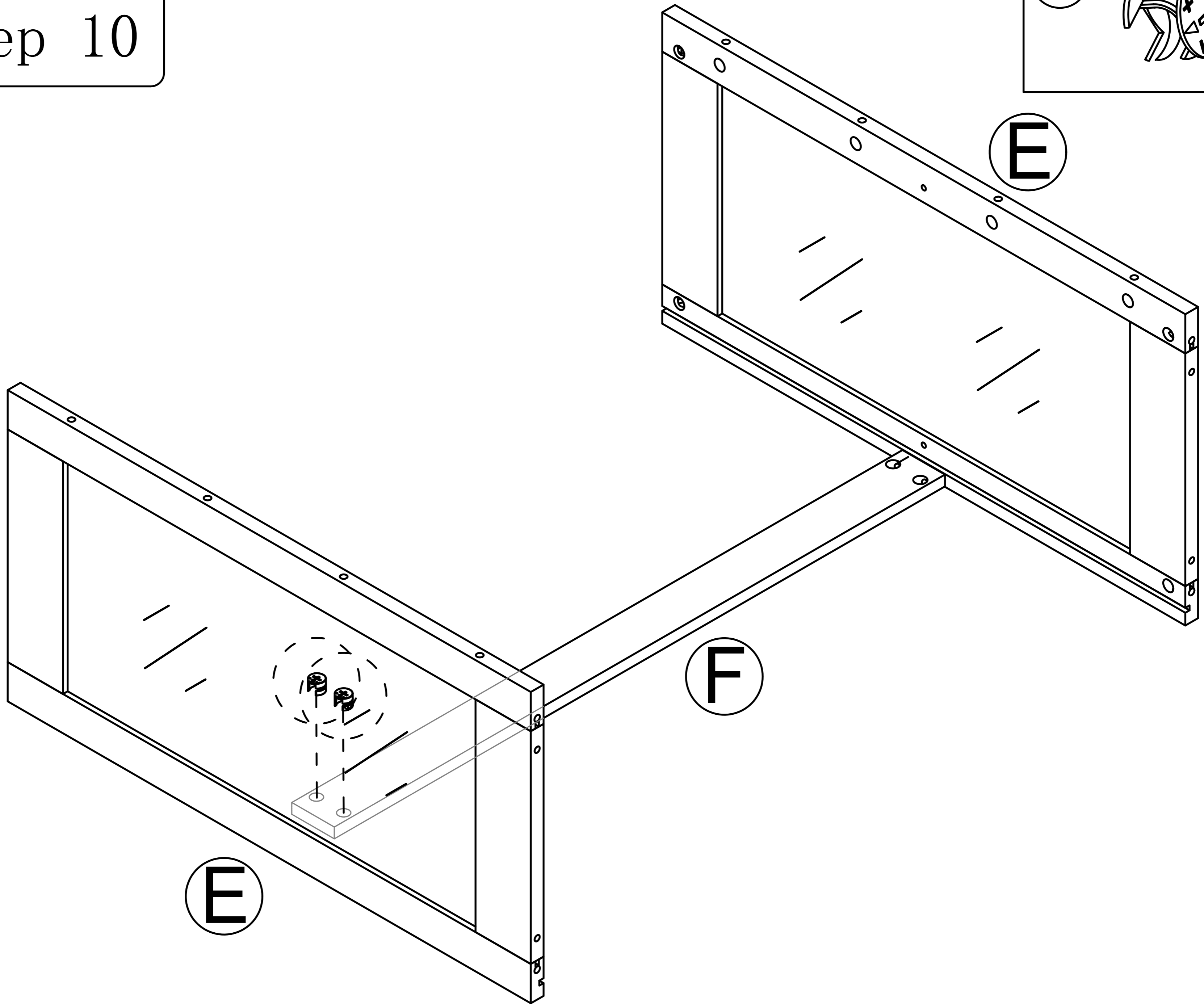


Steps and objects x2

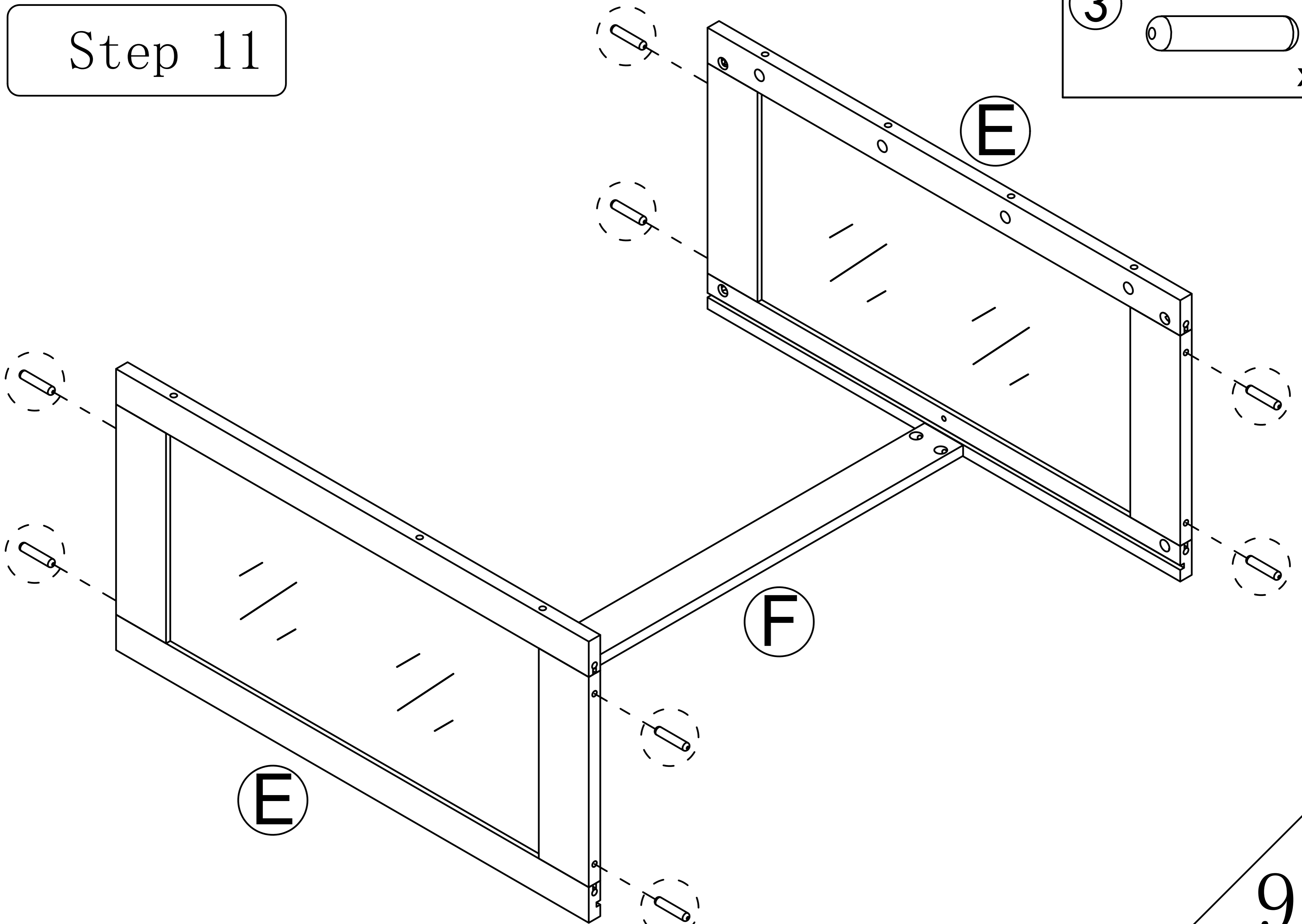
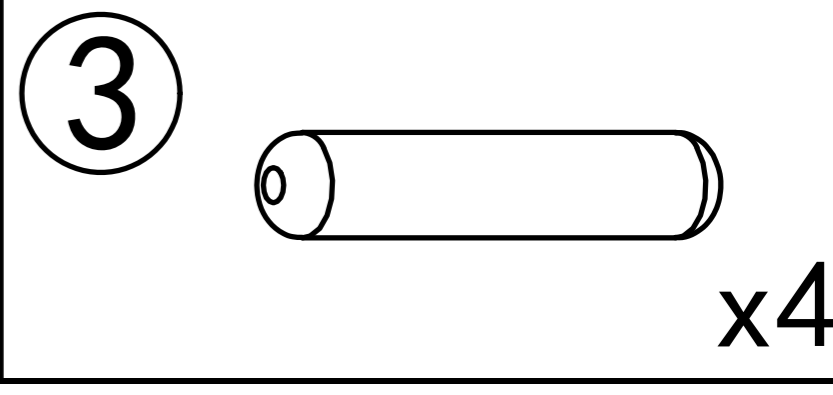
Step 9



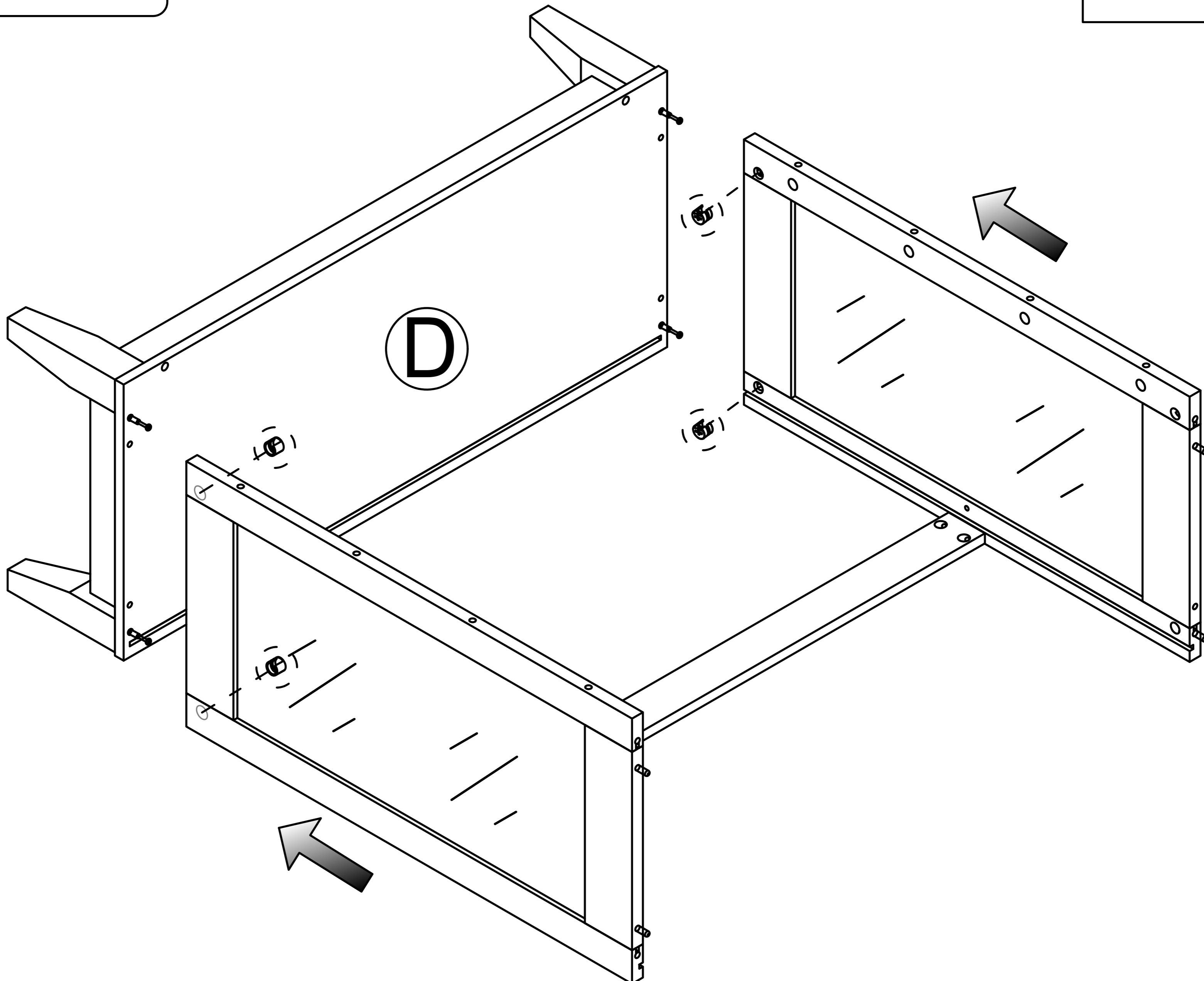
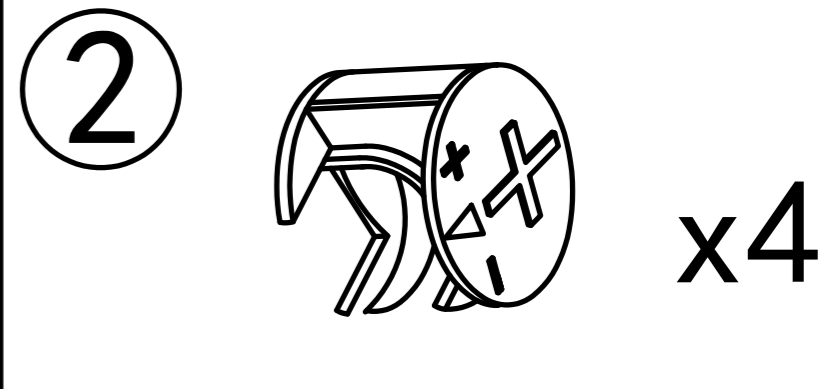
Step 10



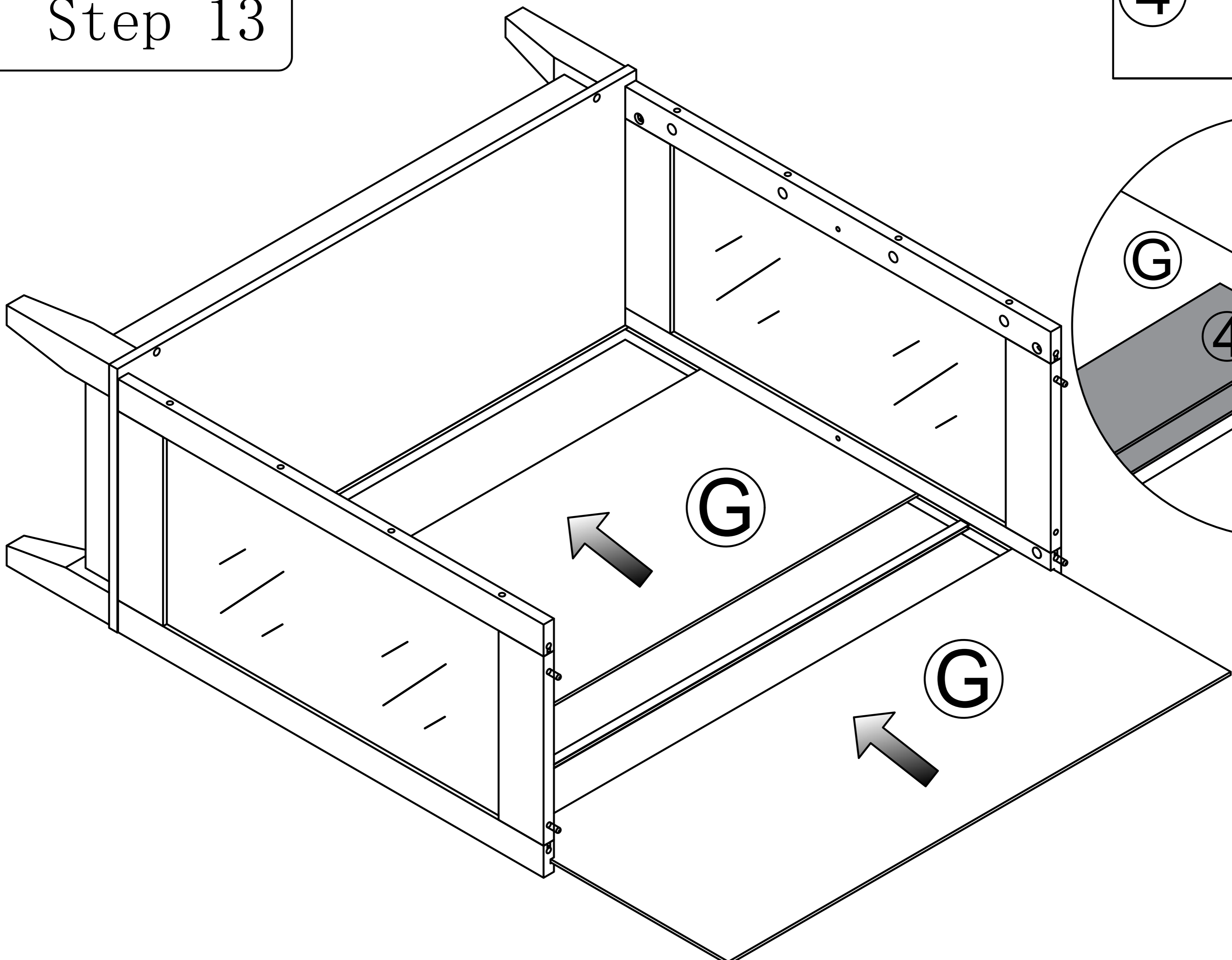
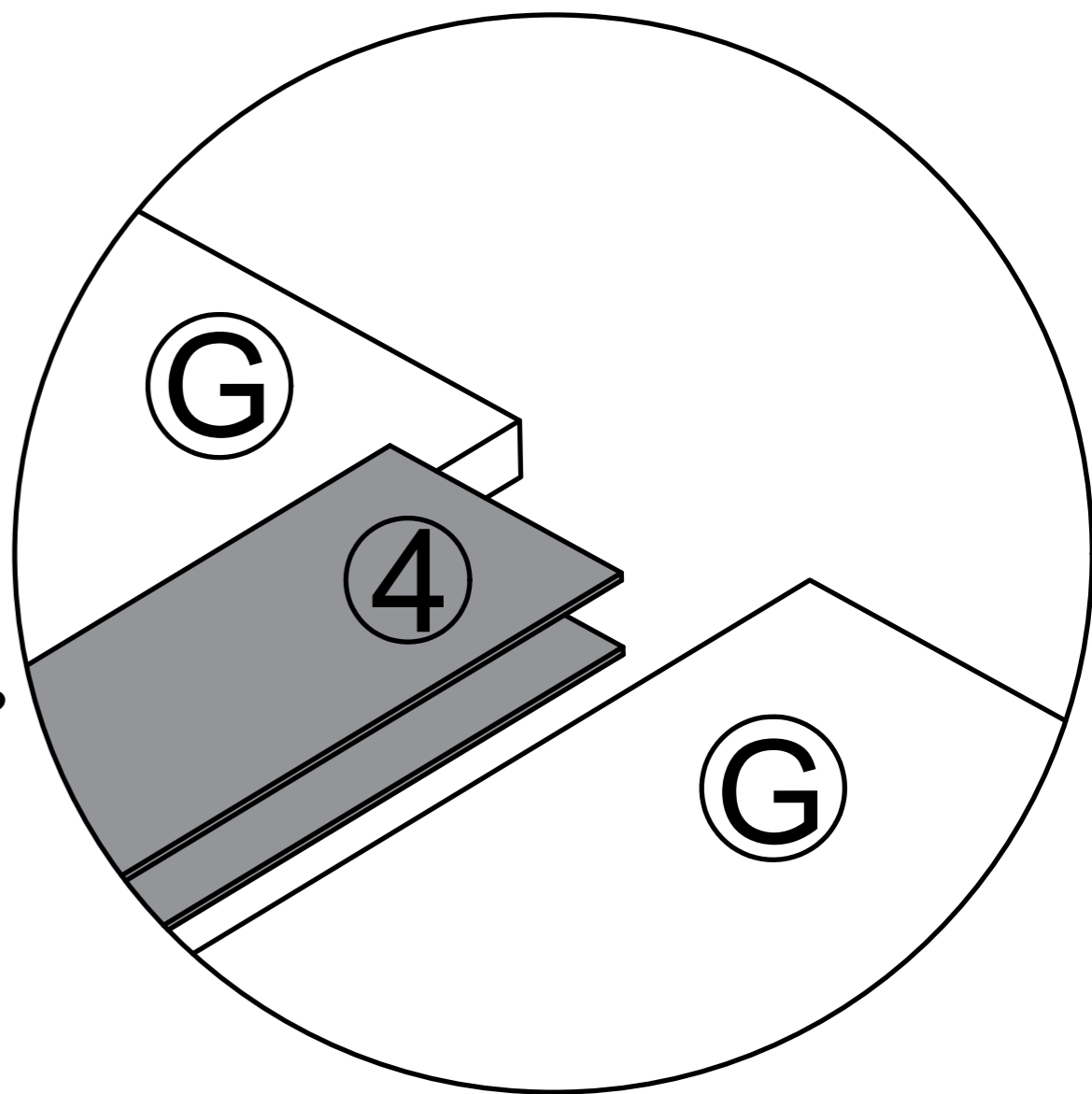
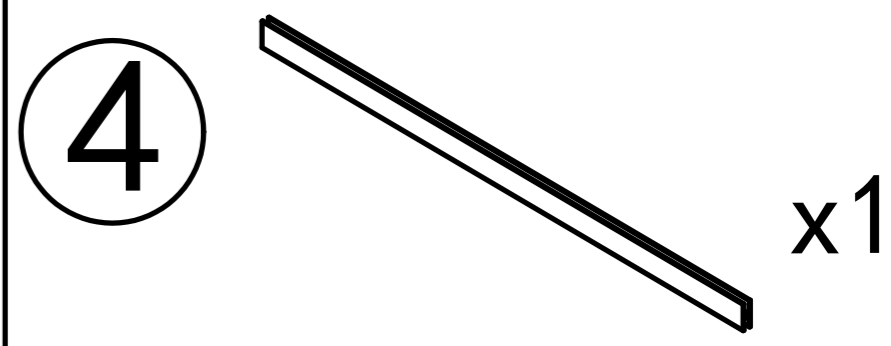
Step 11



Step 12



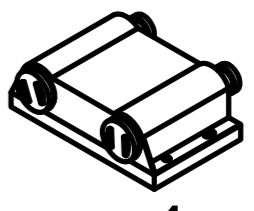
Step 13



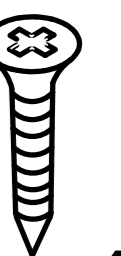
Place the G board, N0.4 strip, and G board in order

Step 14

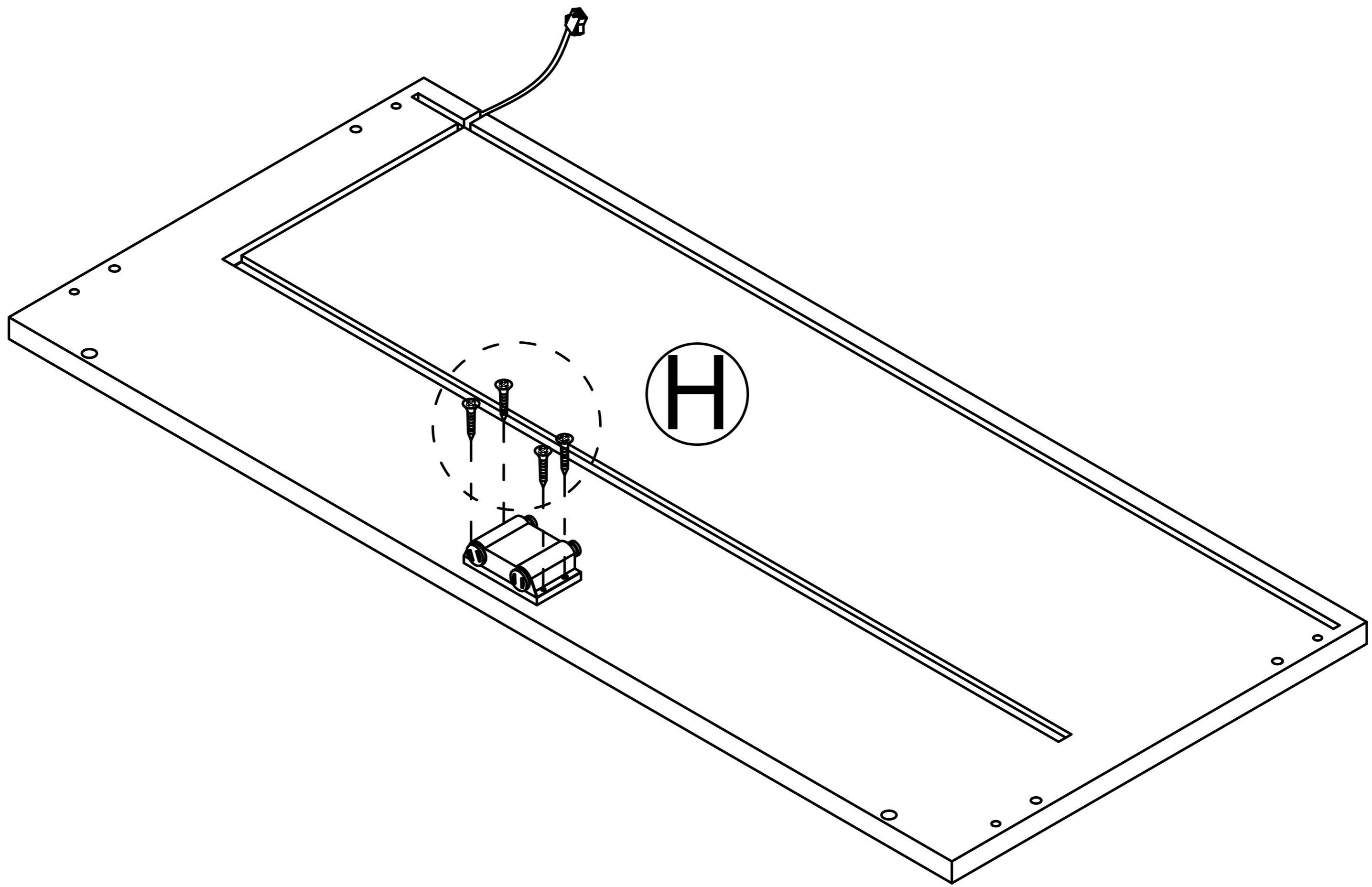
5



x1

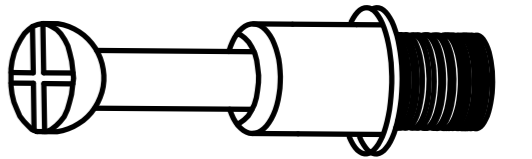


x4

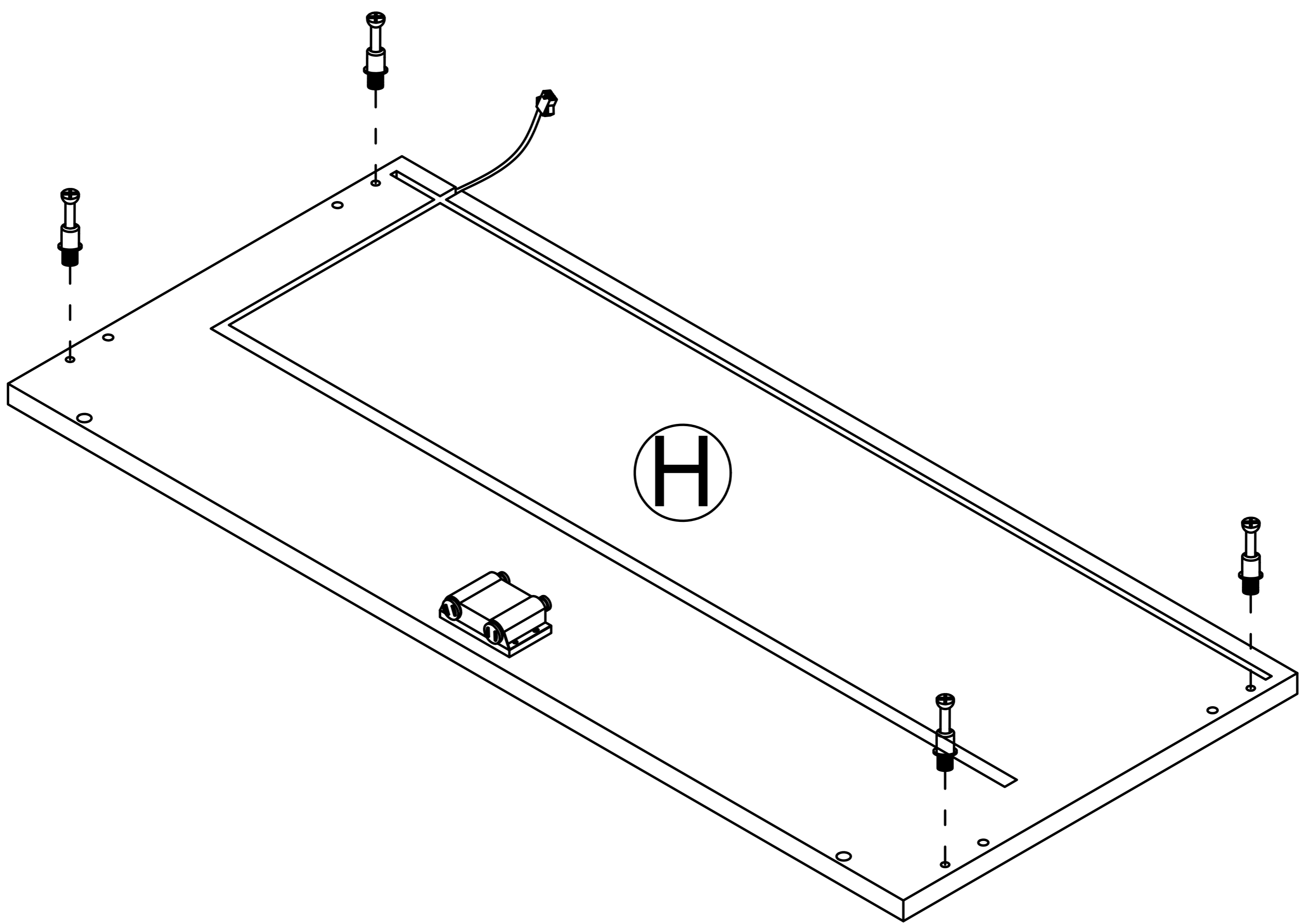


Step 15

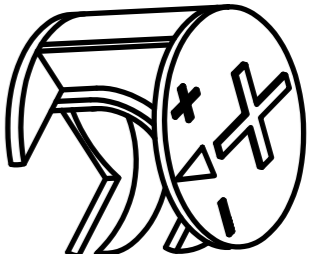
1

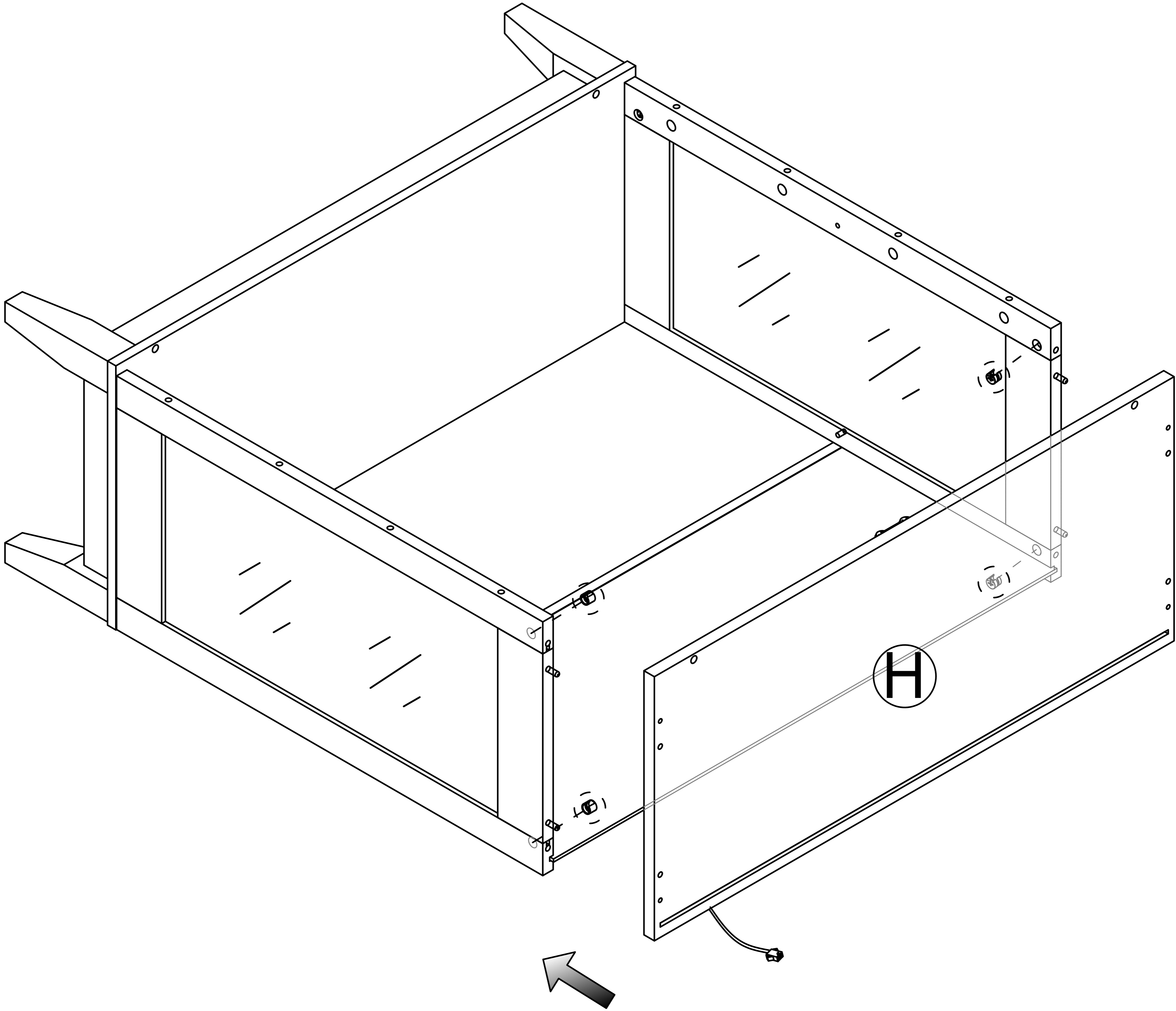


x4

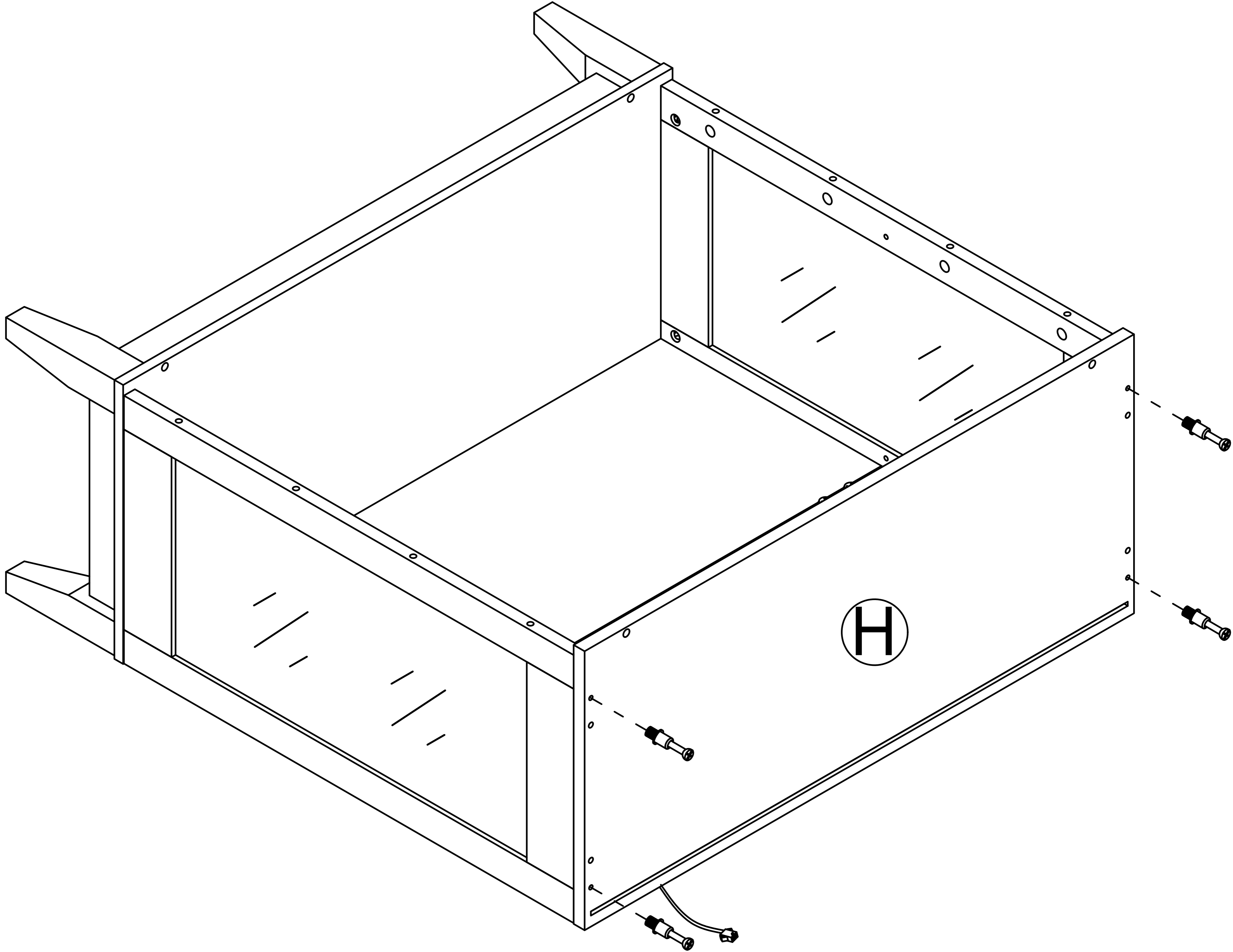
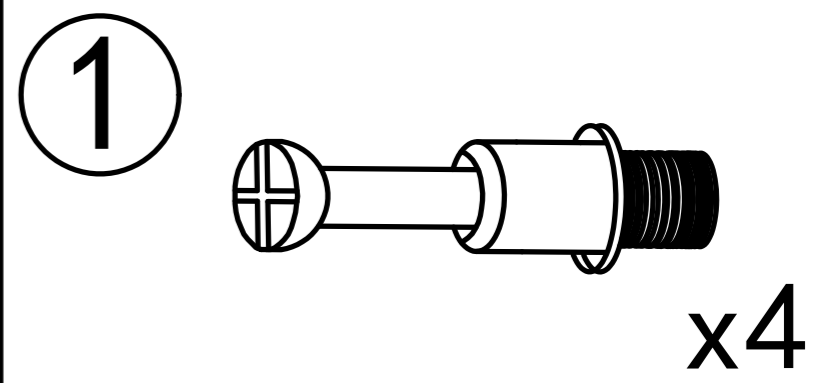


Step 16

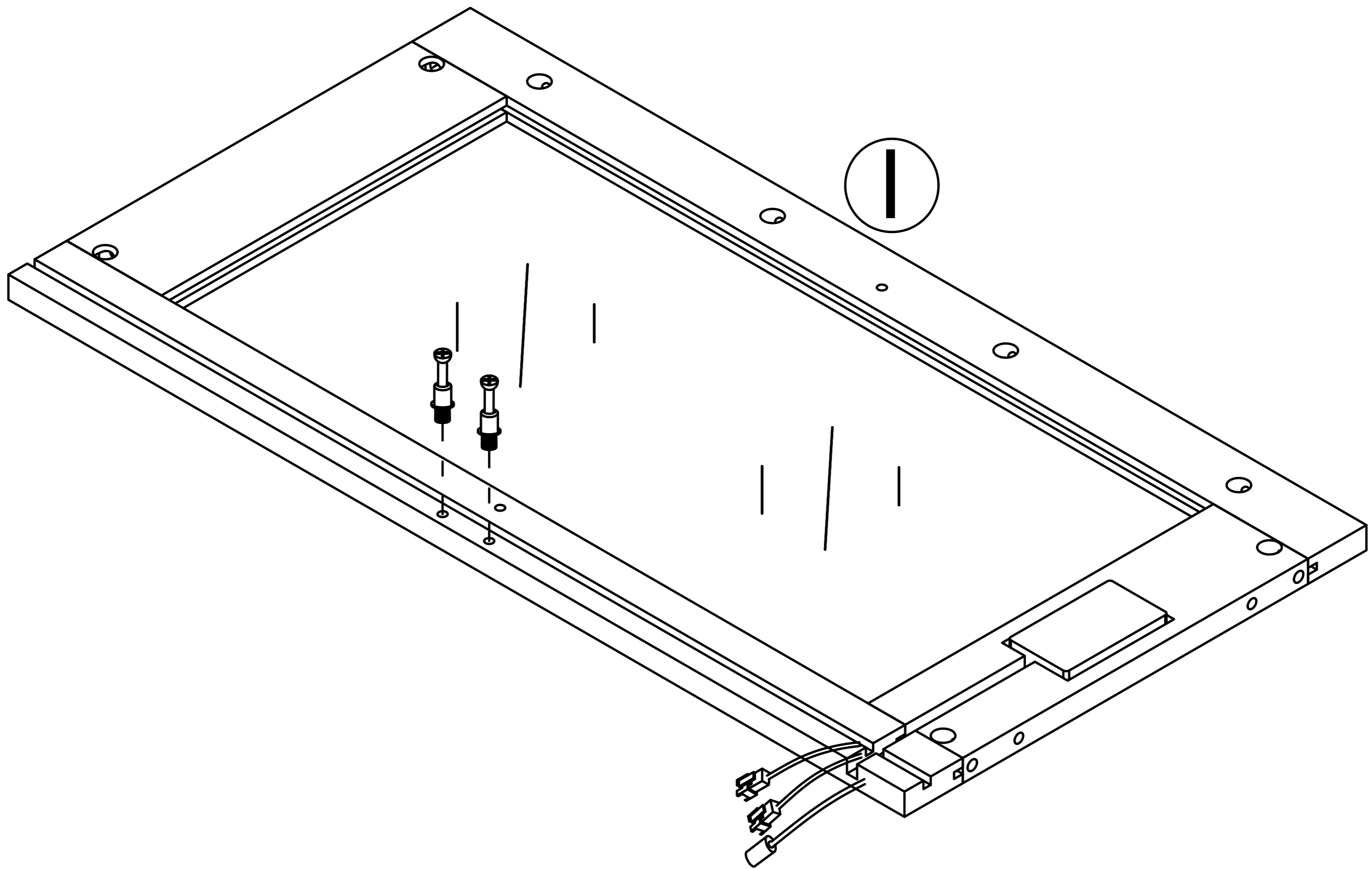
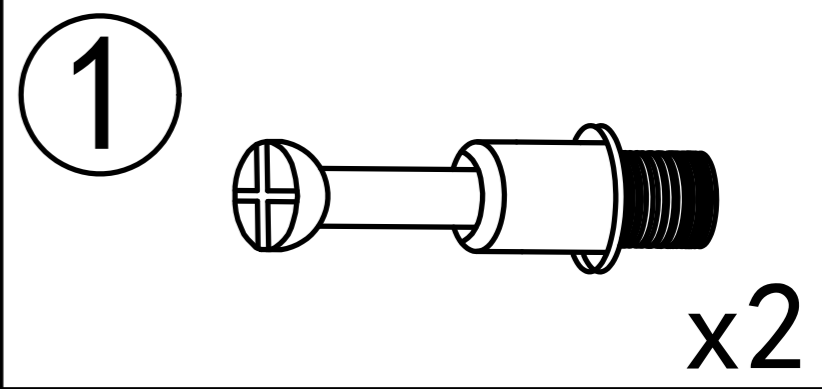
2  x4



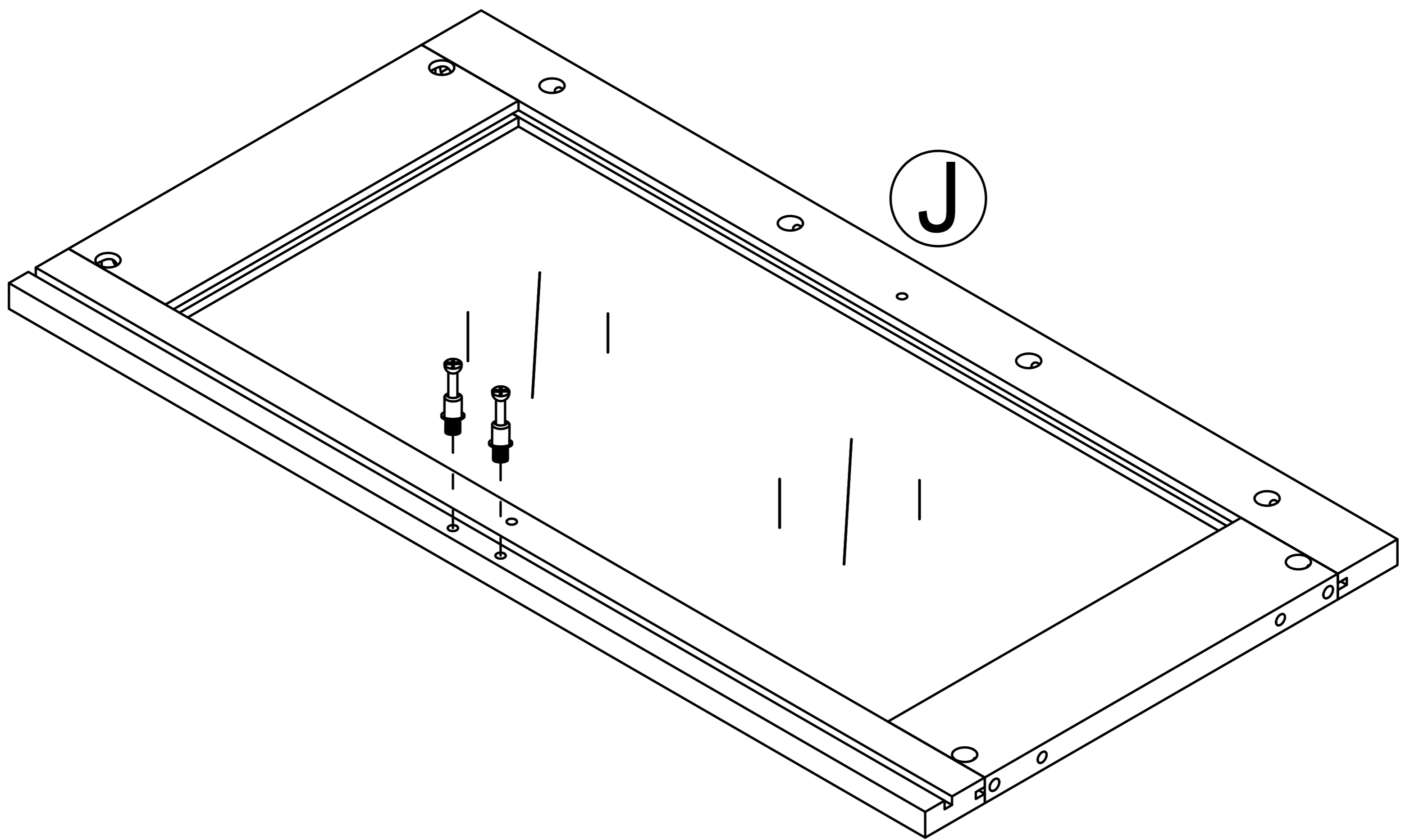
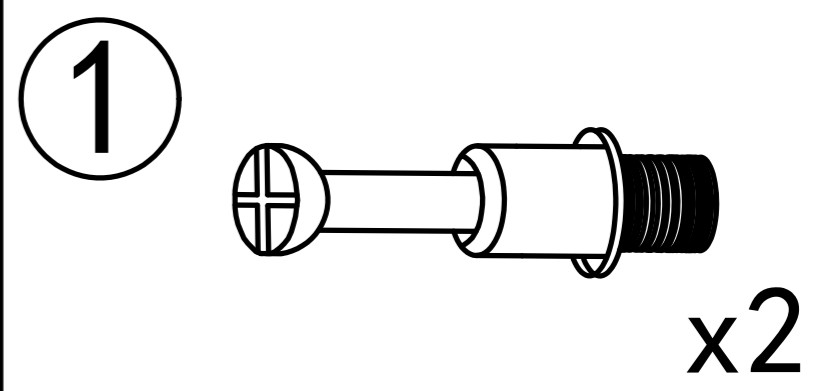
Step 17



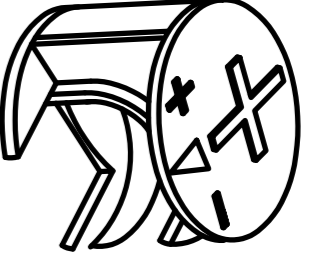
Step 18

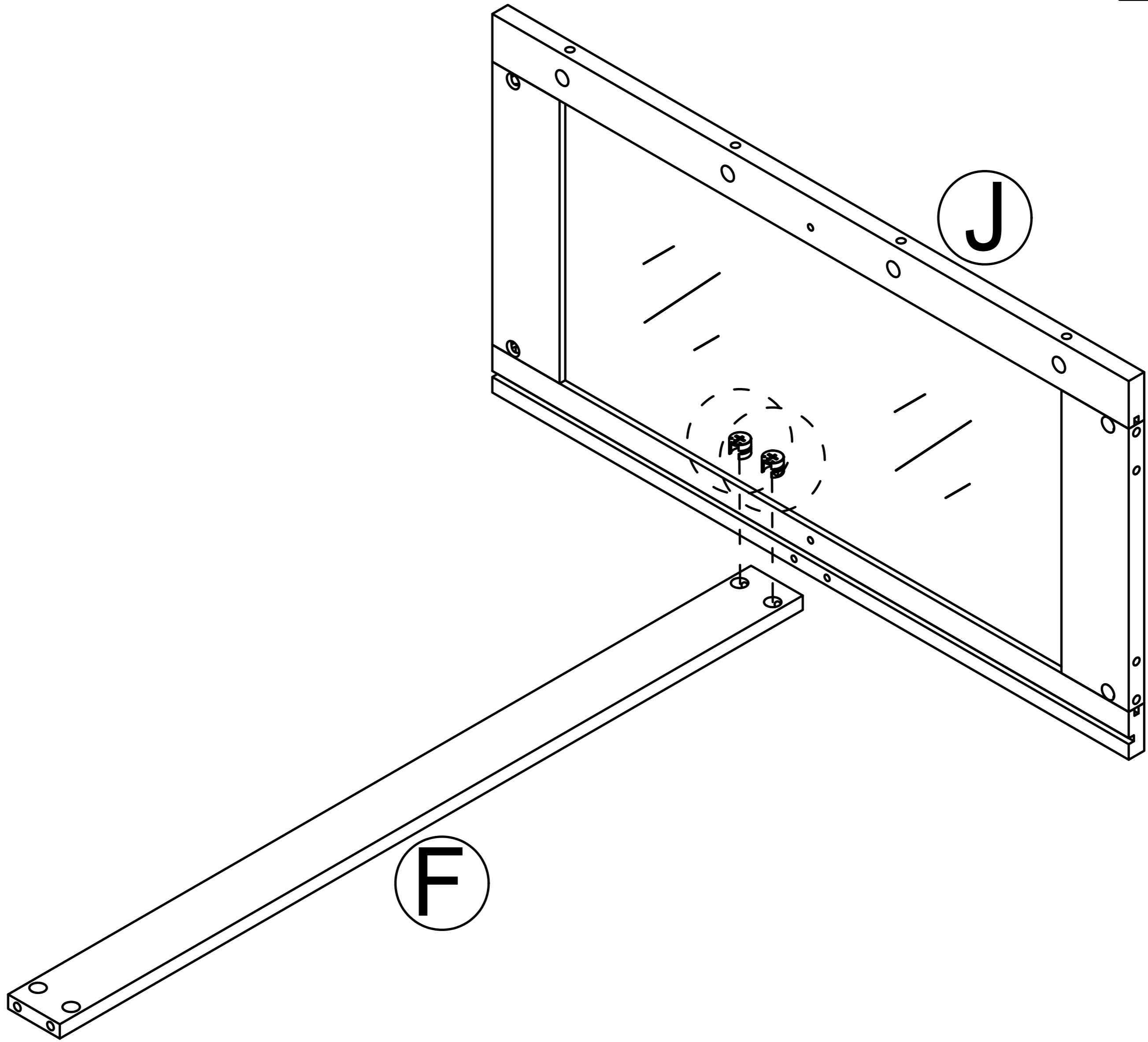


Step 19

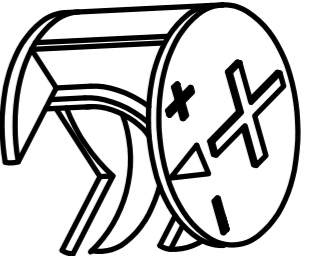


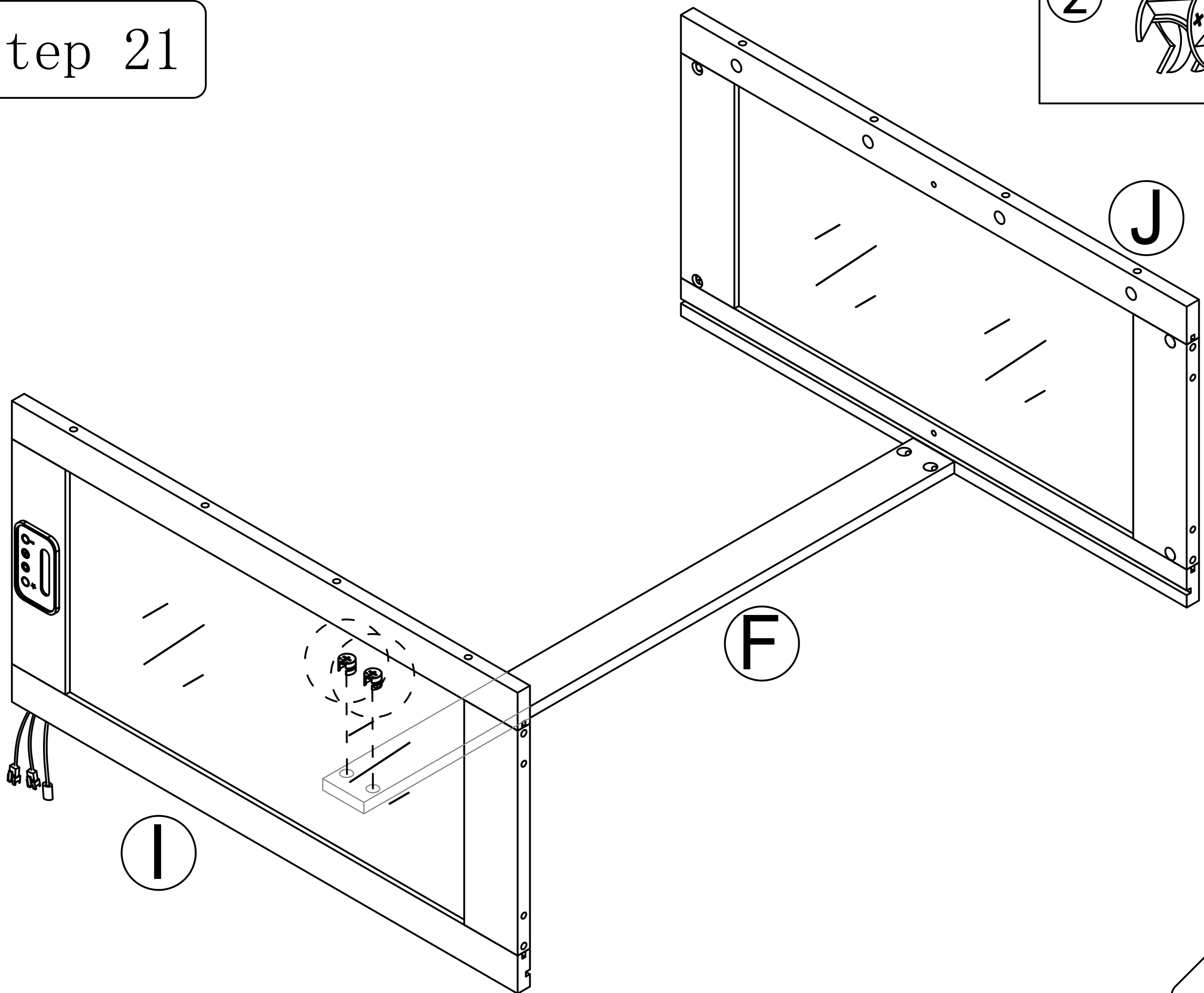
Step 20

2  x2

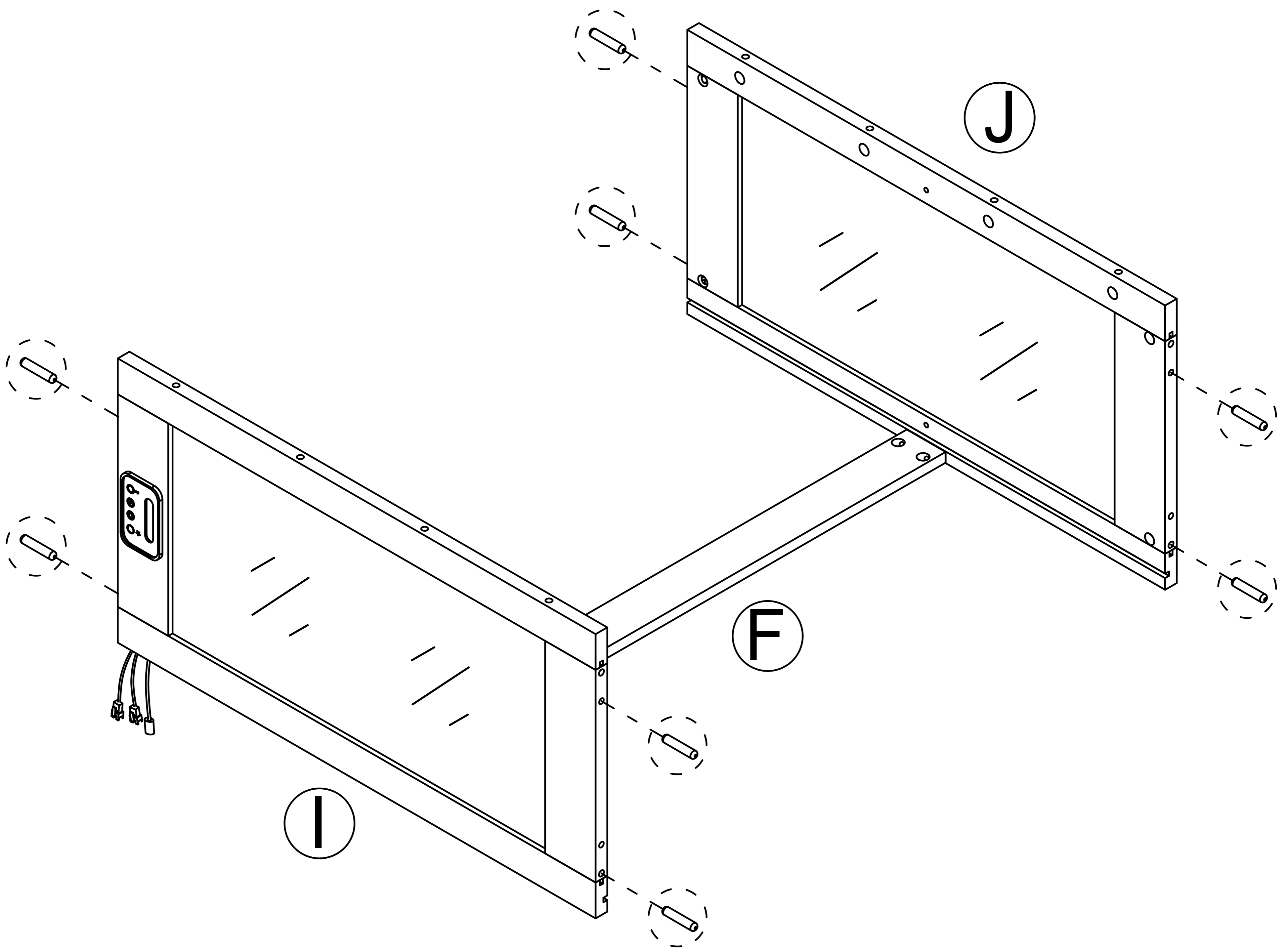
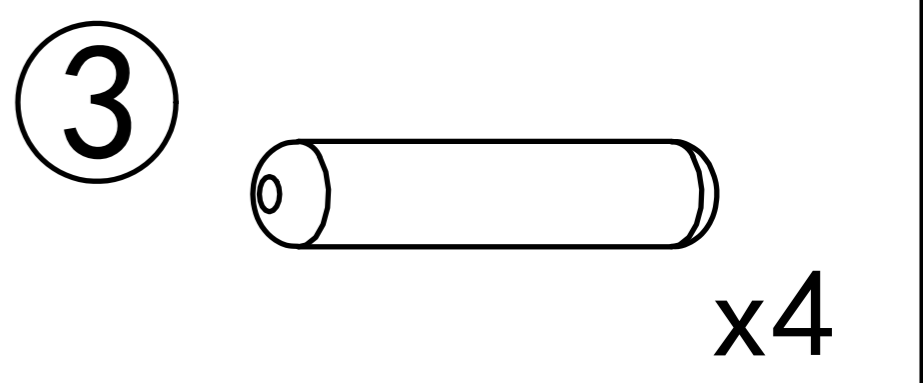


Step 21

2  x2

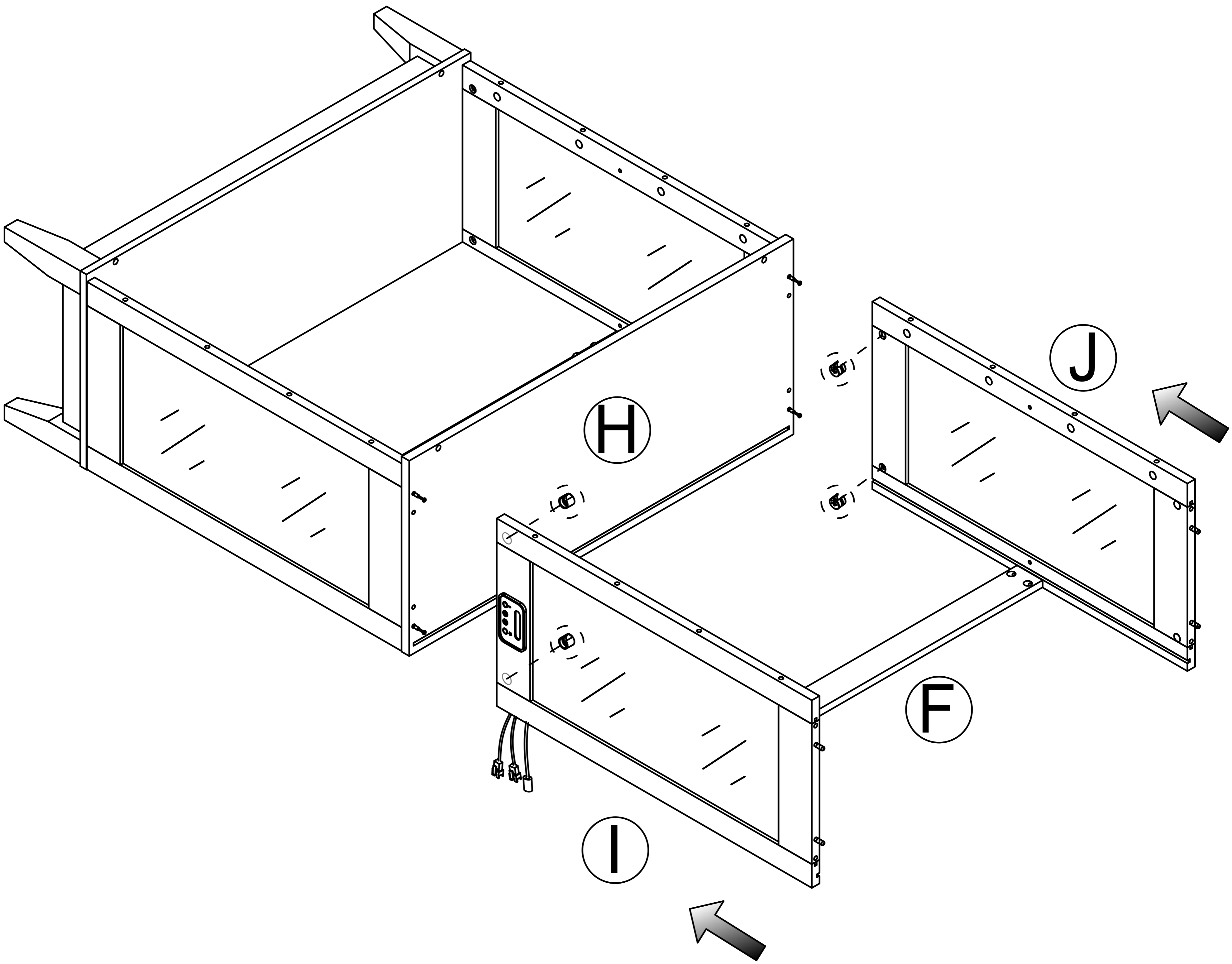


Step 22

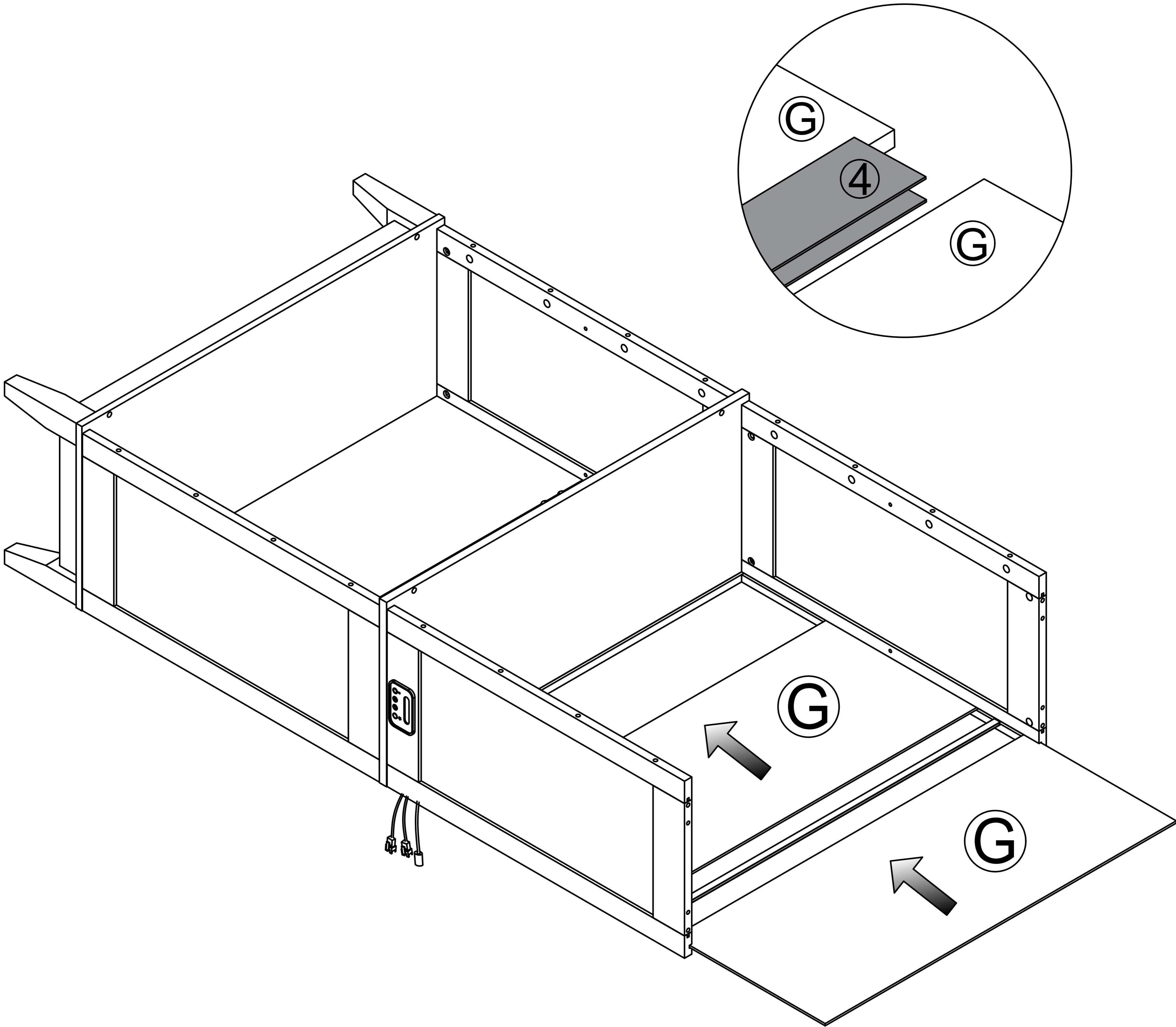
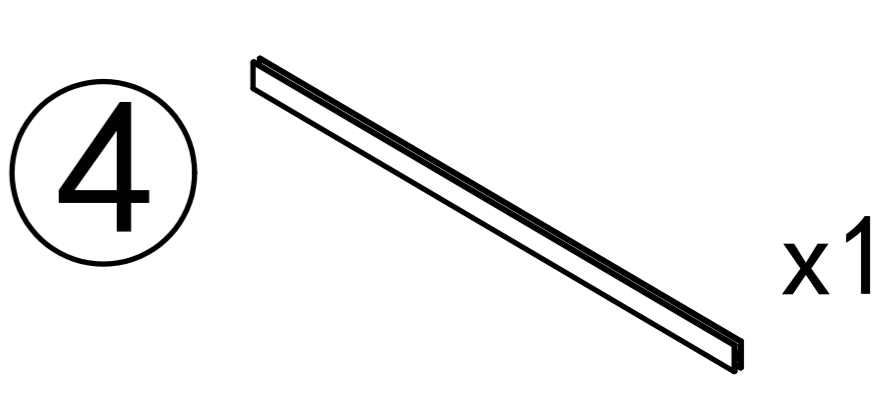


Step 23

2  x4



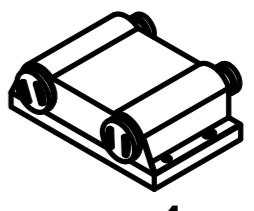
Step 24



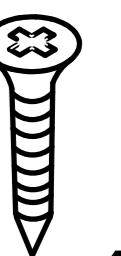
Place the G board, N0.④ strip, and G board in order

Step 25

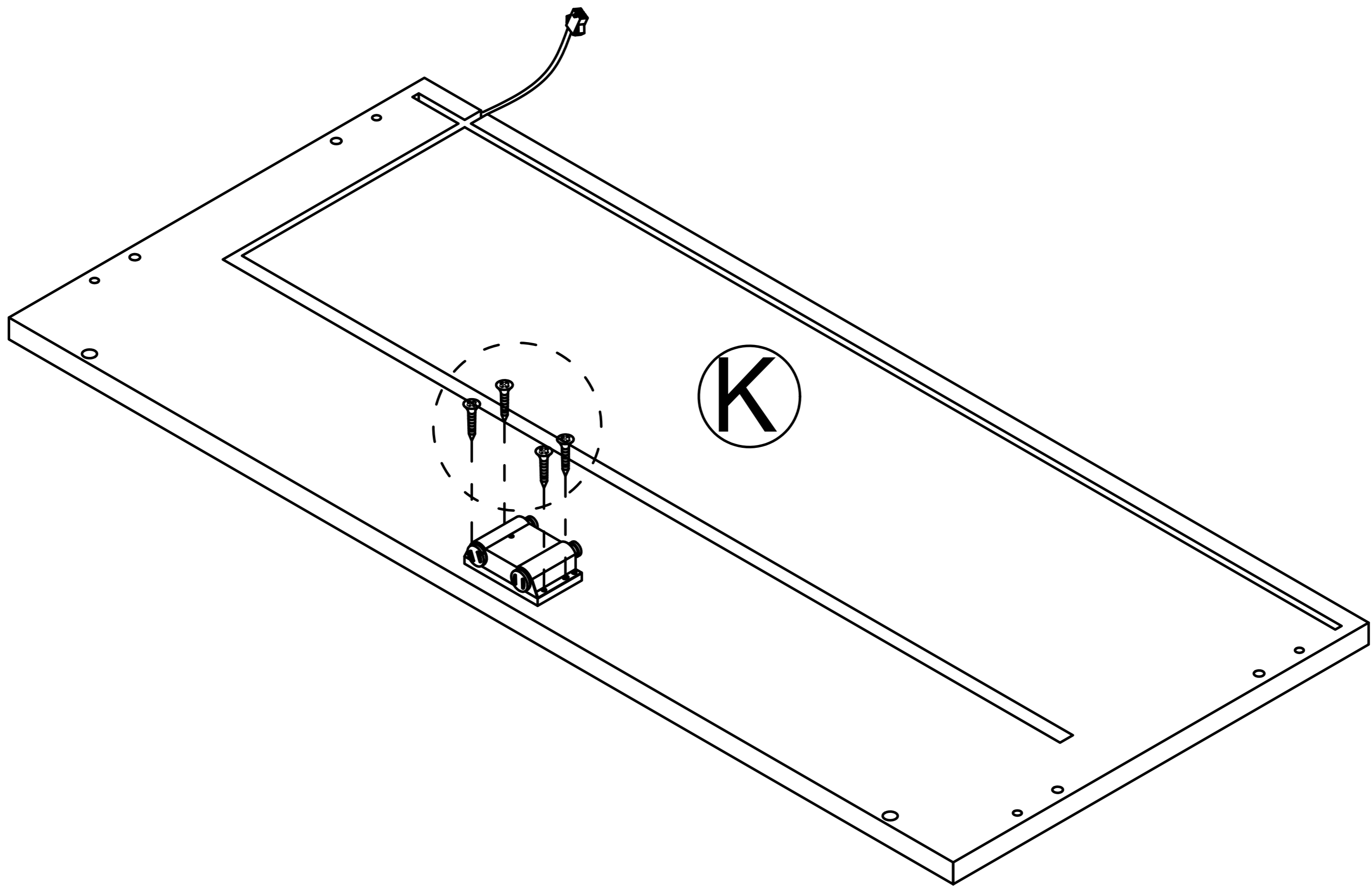
5



x1

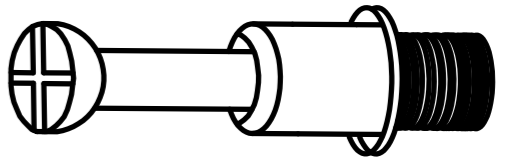


x4

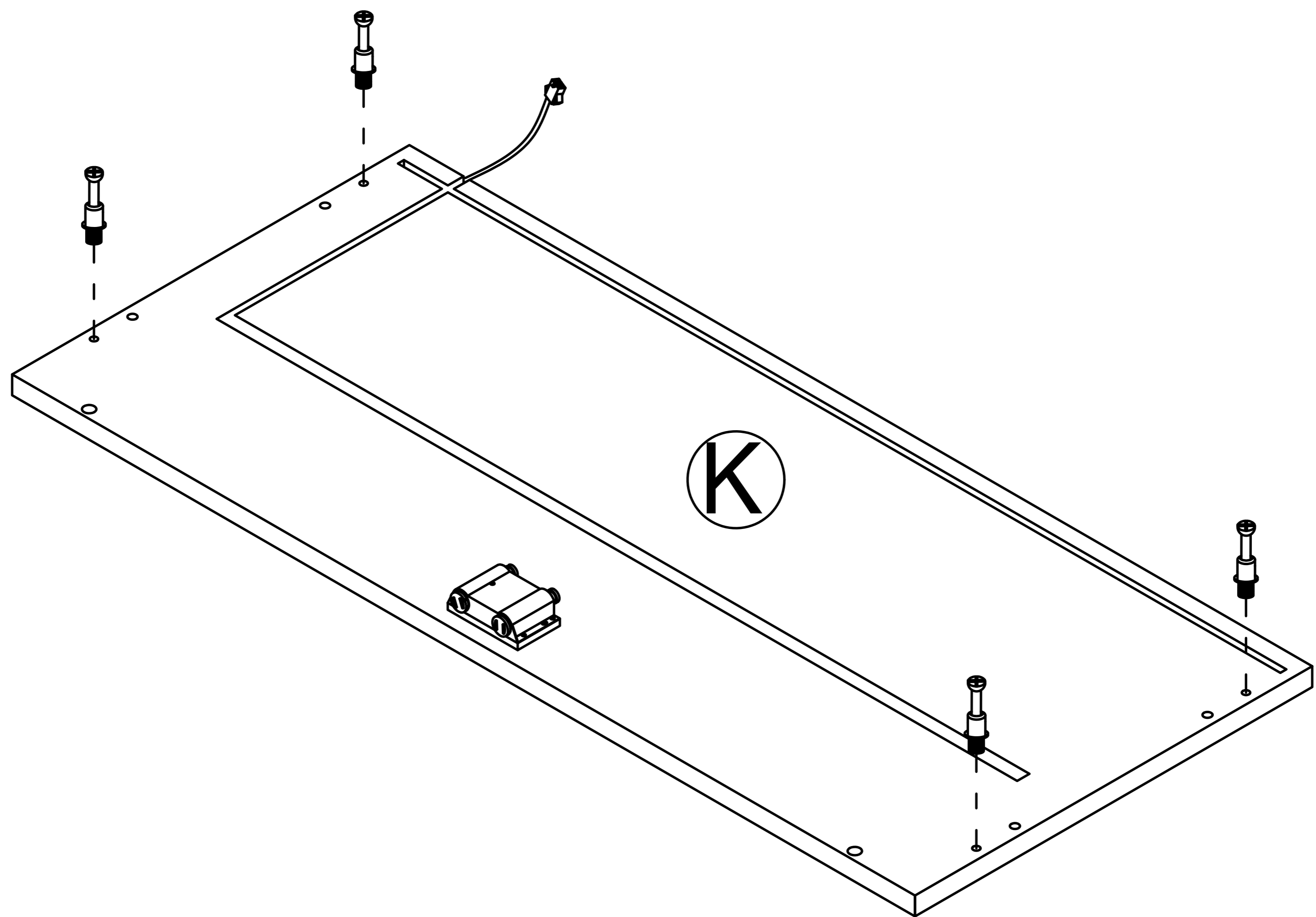


Step 26

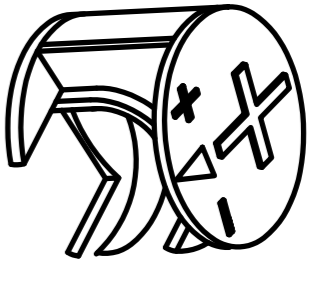
1

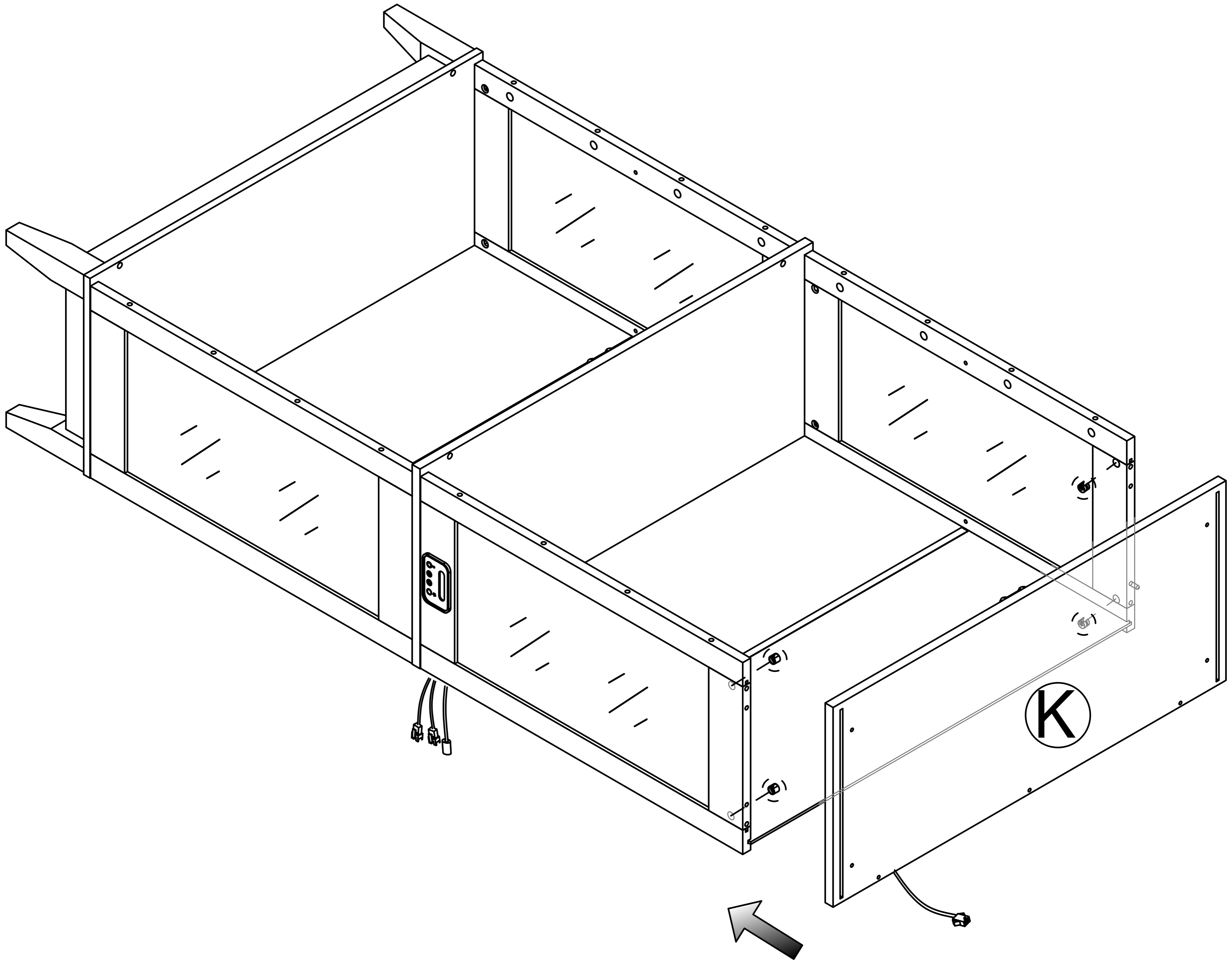


x4

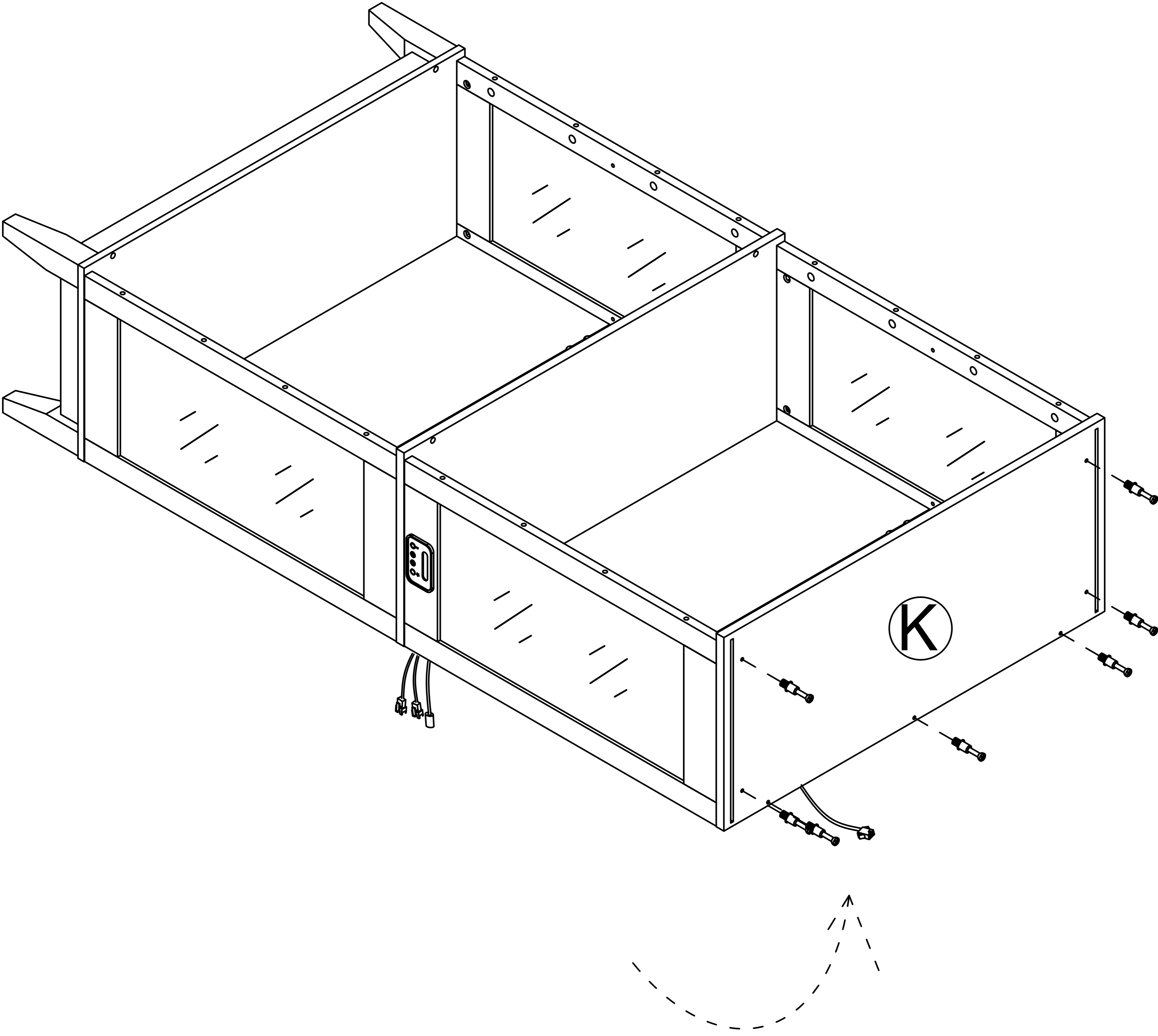
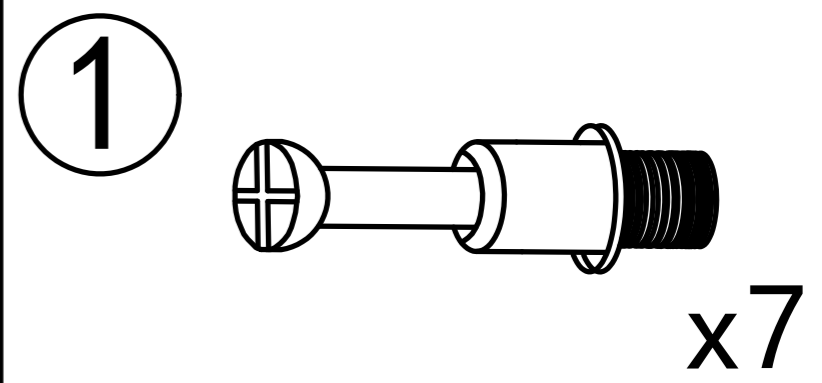


Step 27

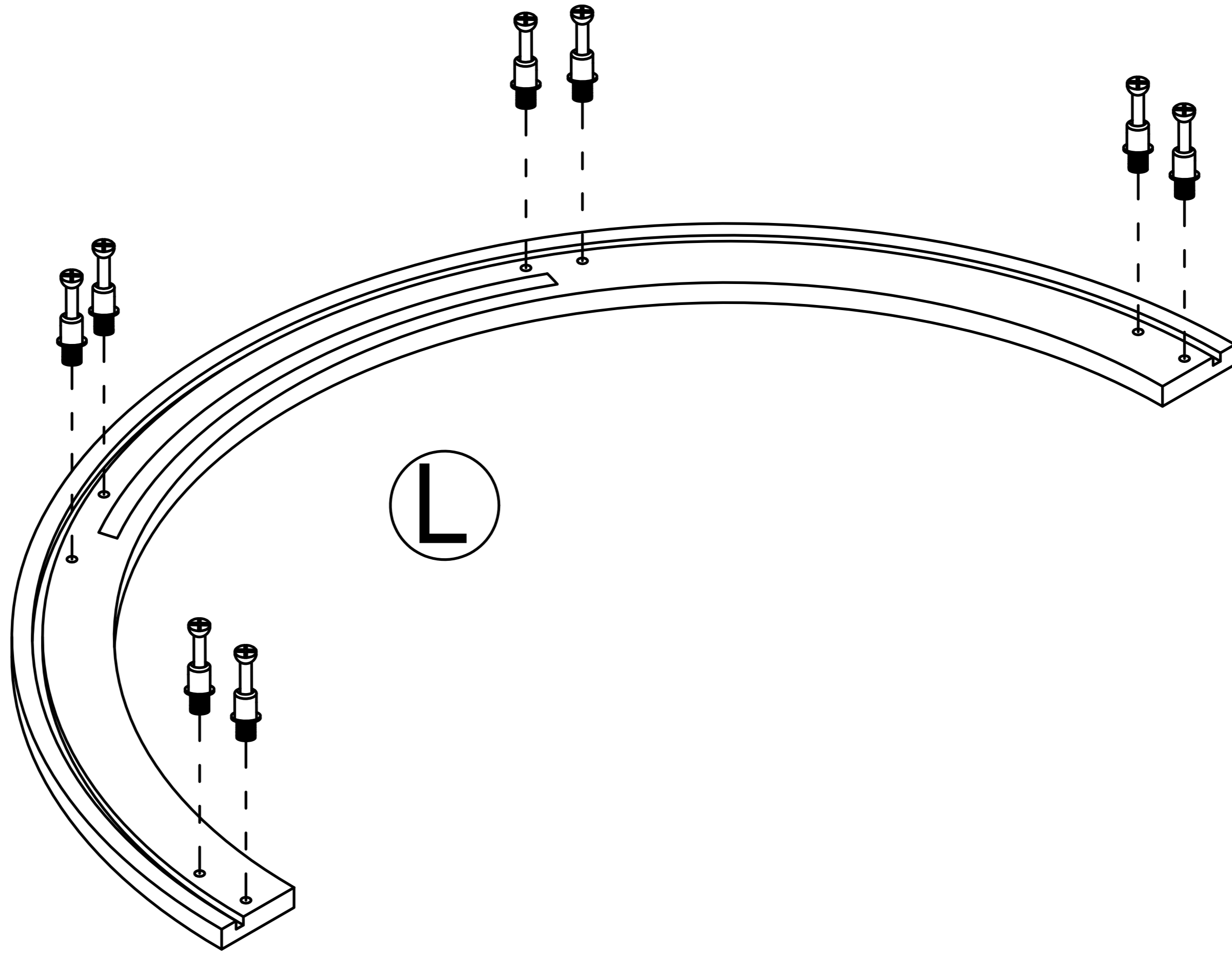
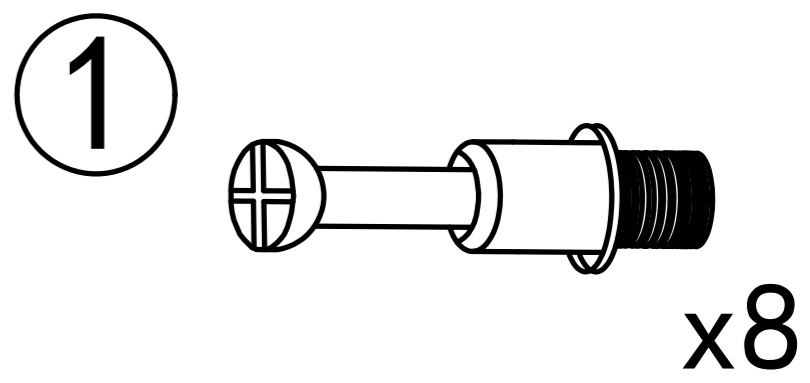
2  x4



Step 28

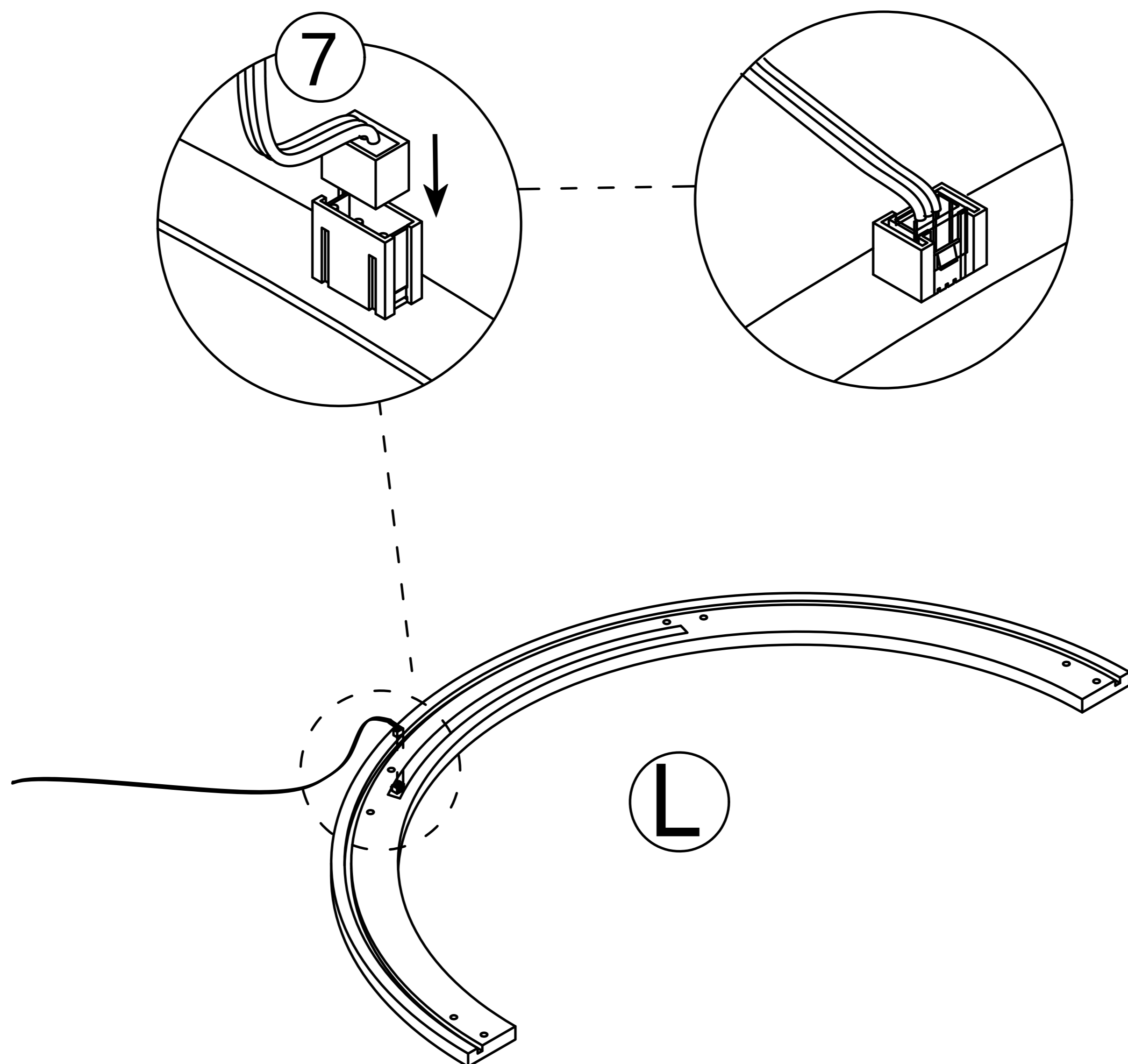
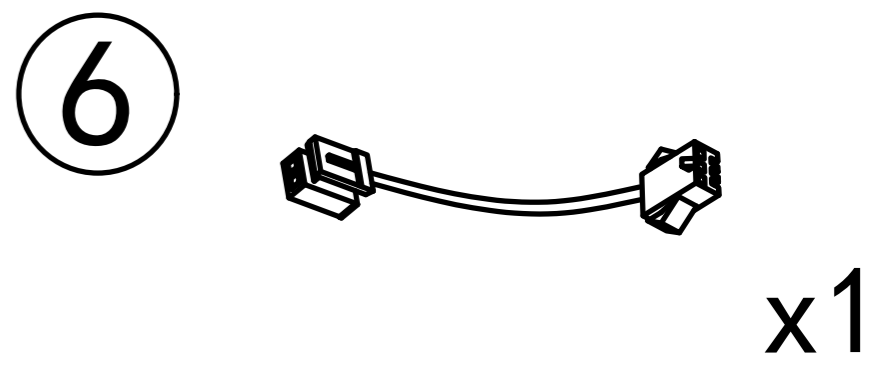


Step 29

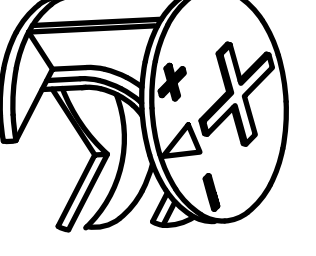


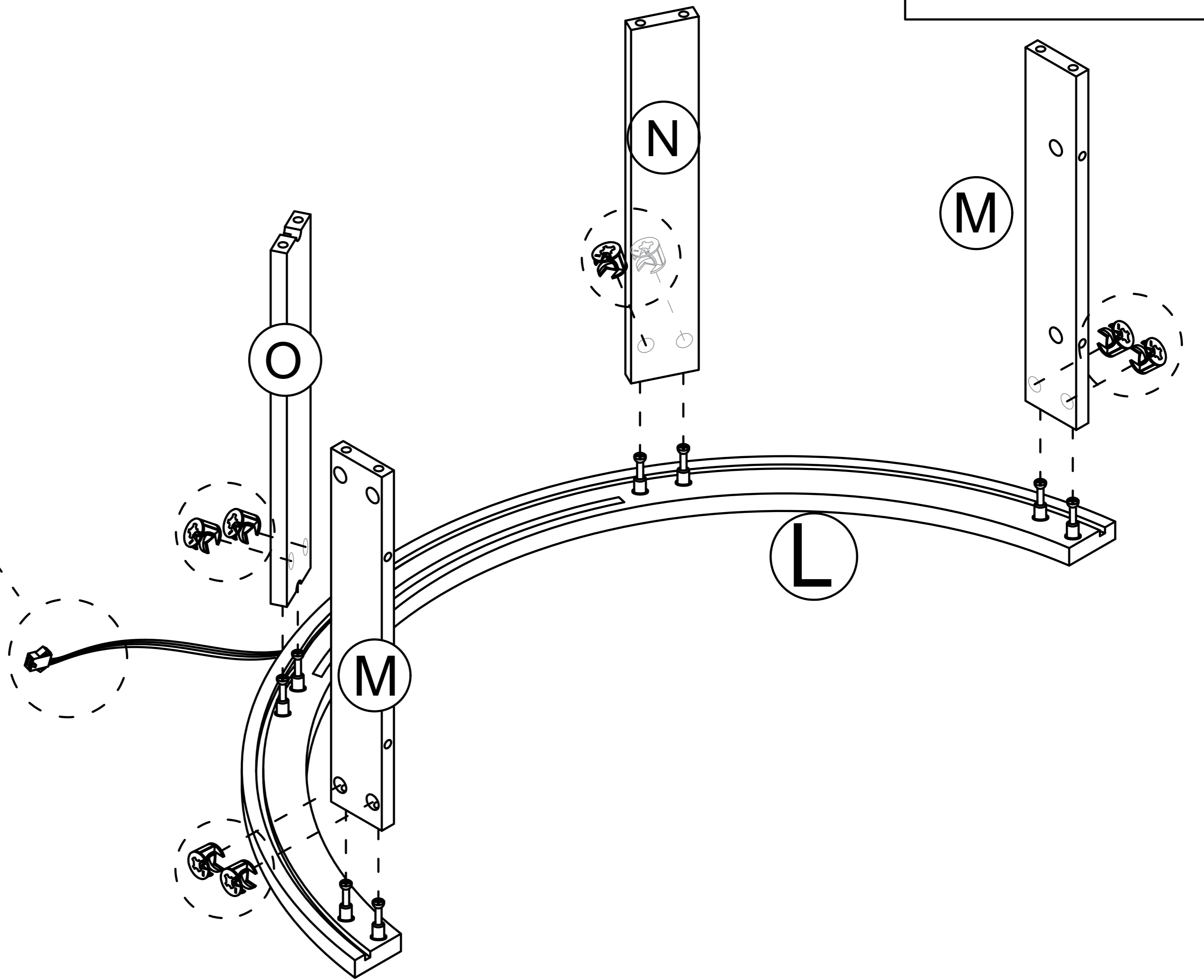
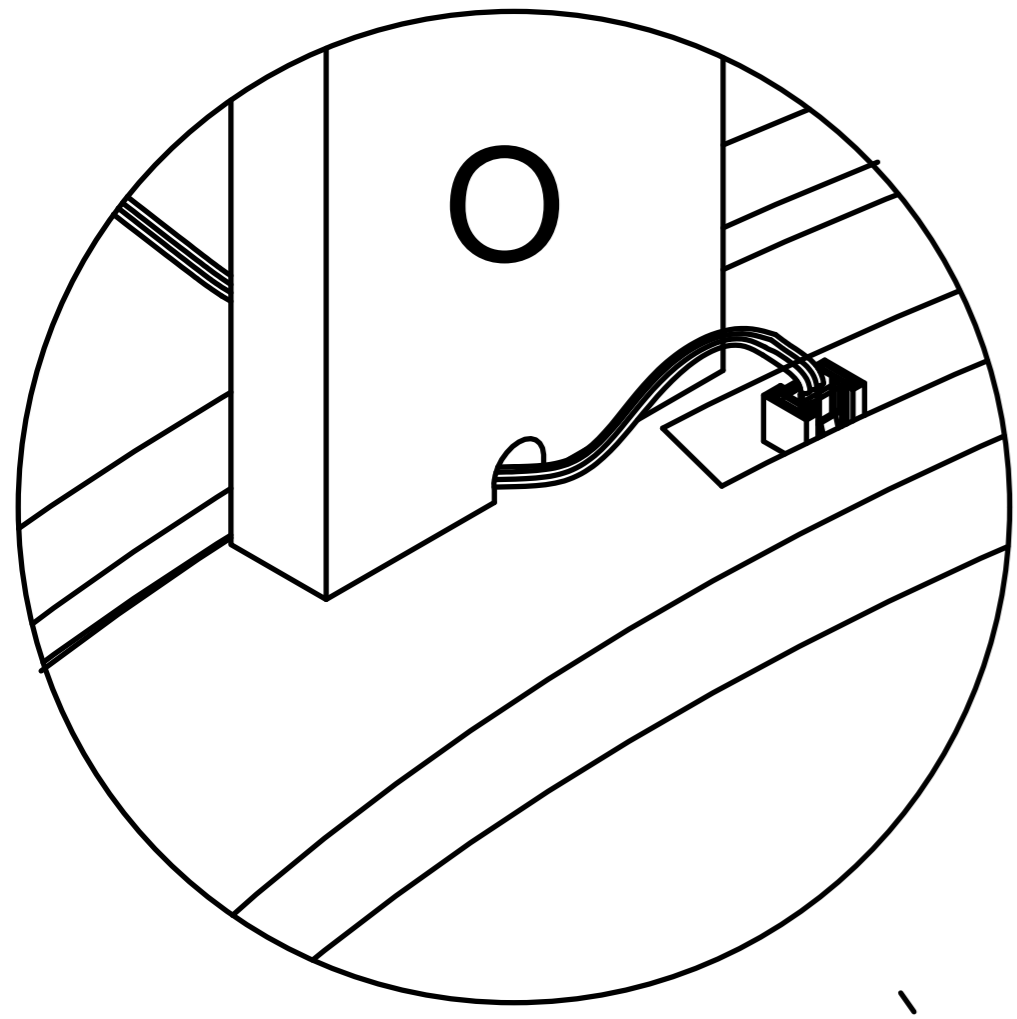
Step 30

Connect the light cable socket



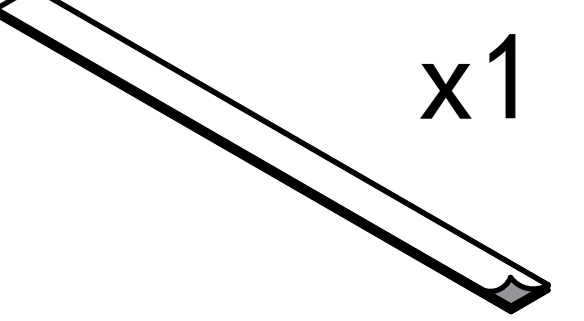
Step 31

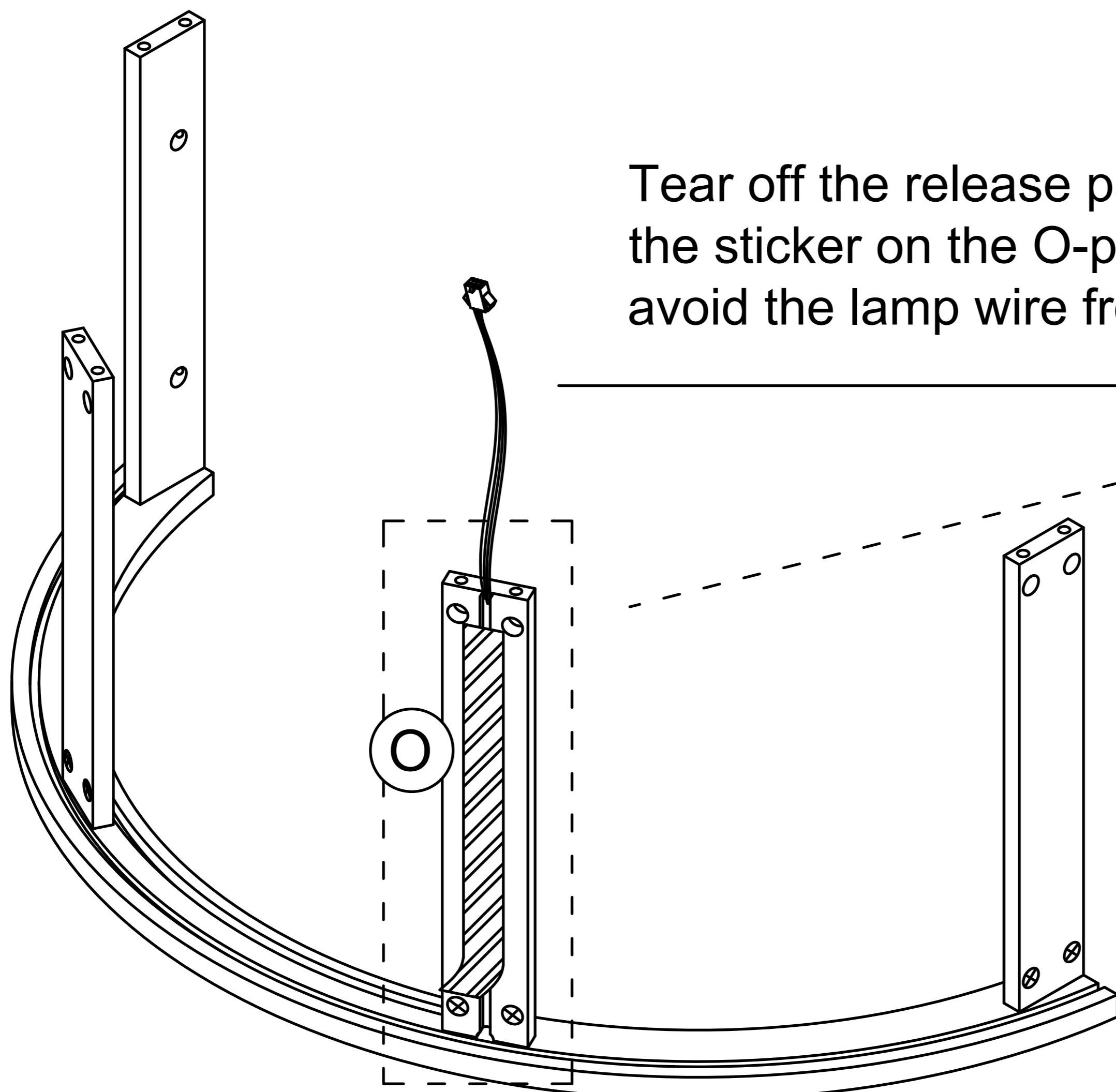
2  x8



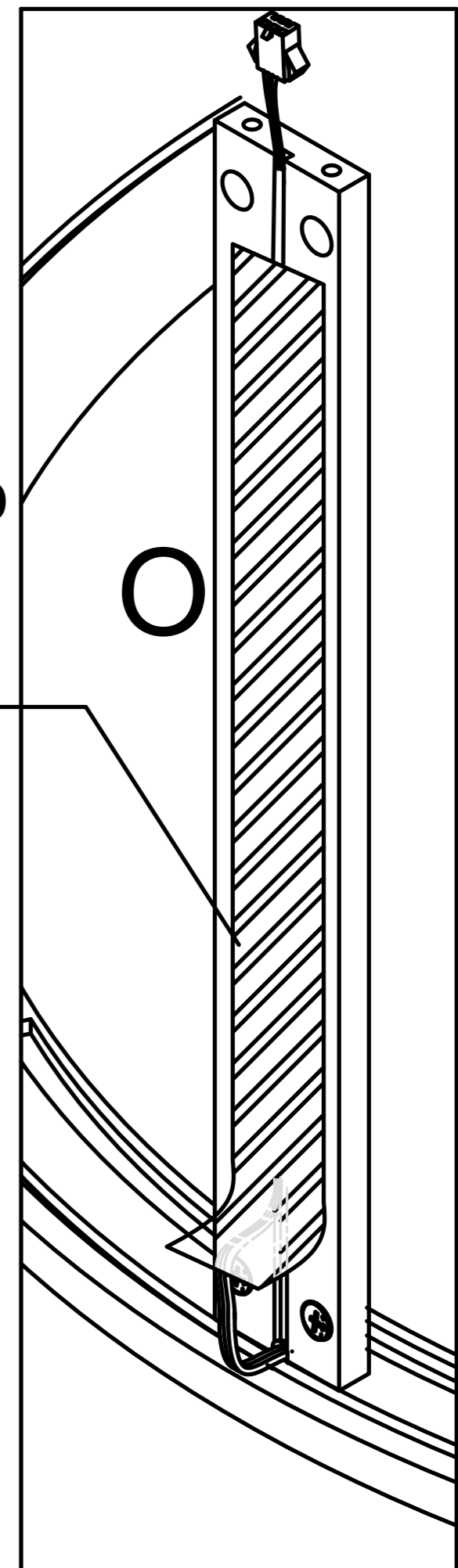
Thread the light wire through board O and tighten the nut

Step 32

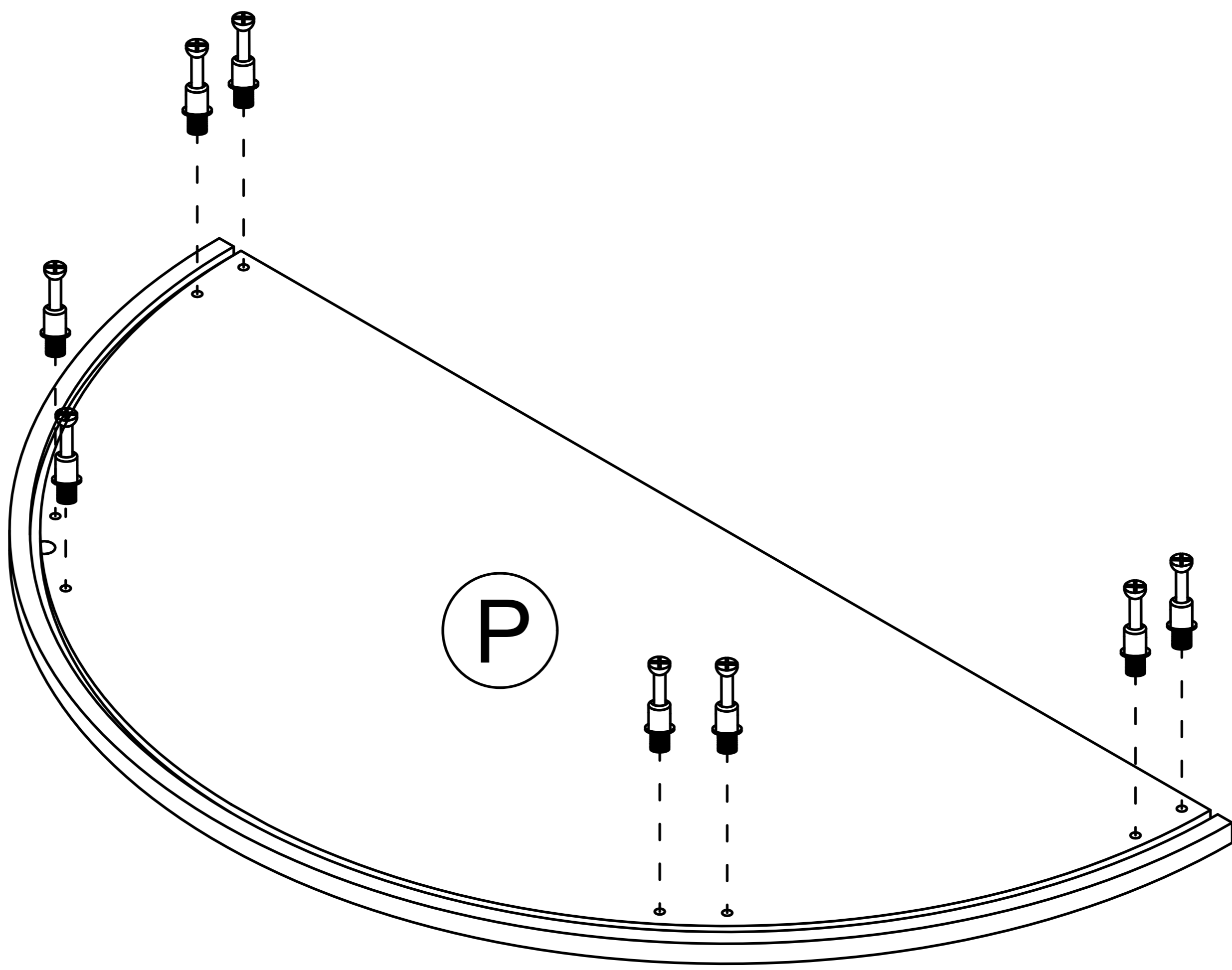
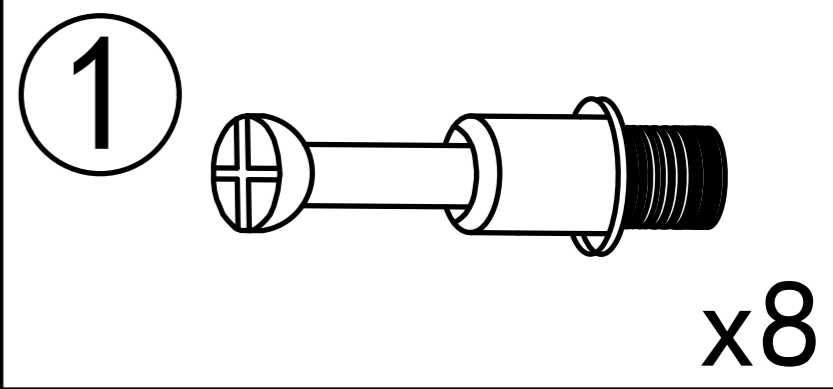
7  x1



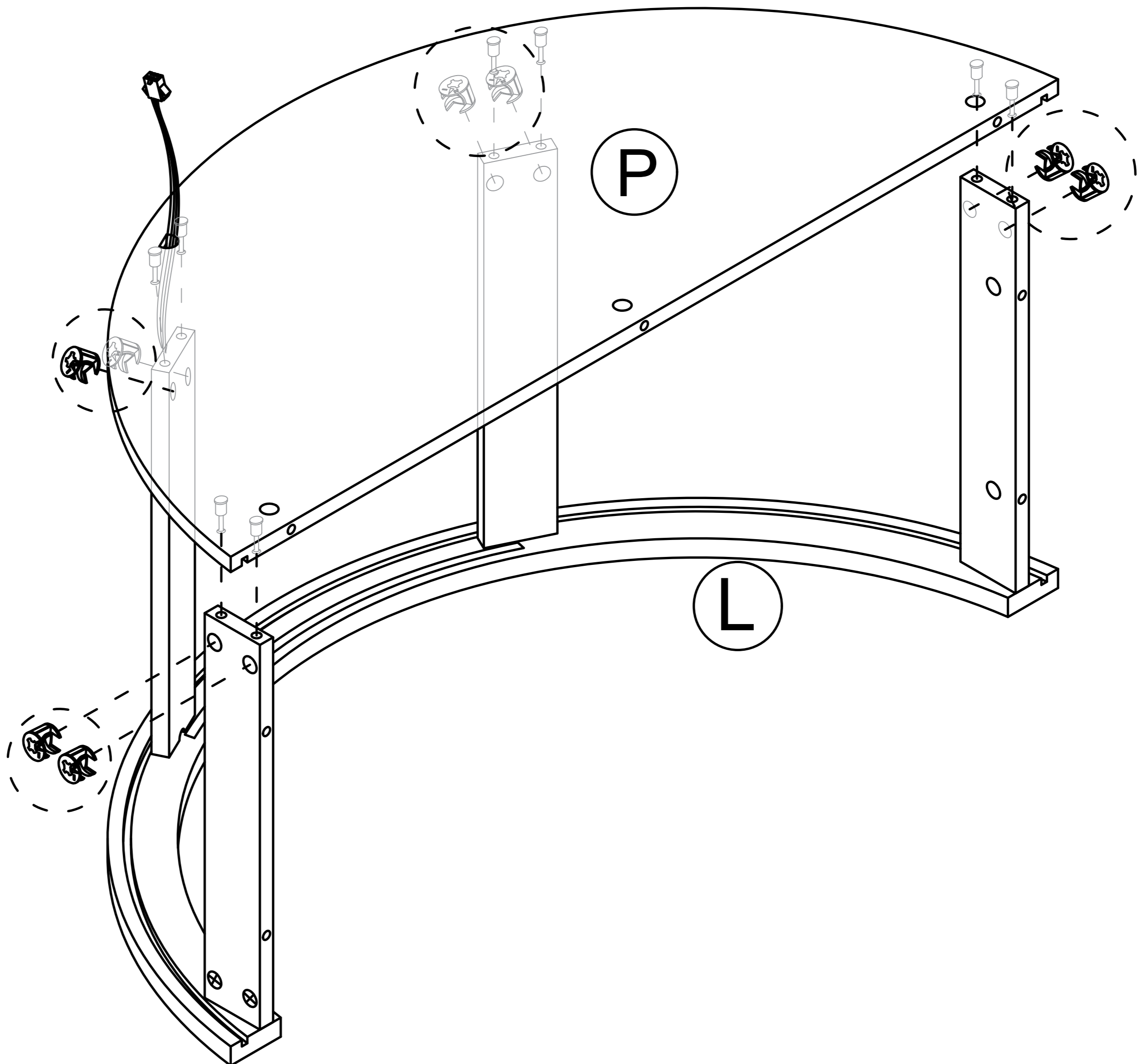
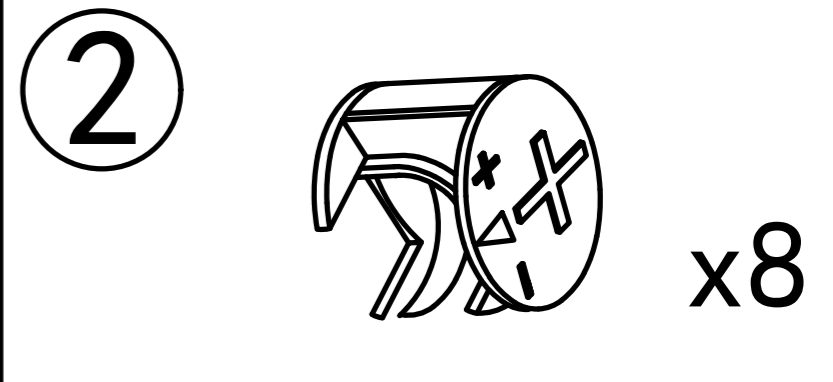
Tear off the release paper and stick the sticker on the O-plate lamp slot to avoid the lamp wire from falling off.



Step 33

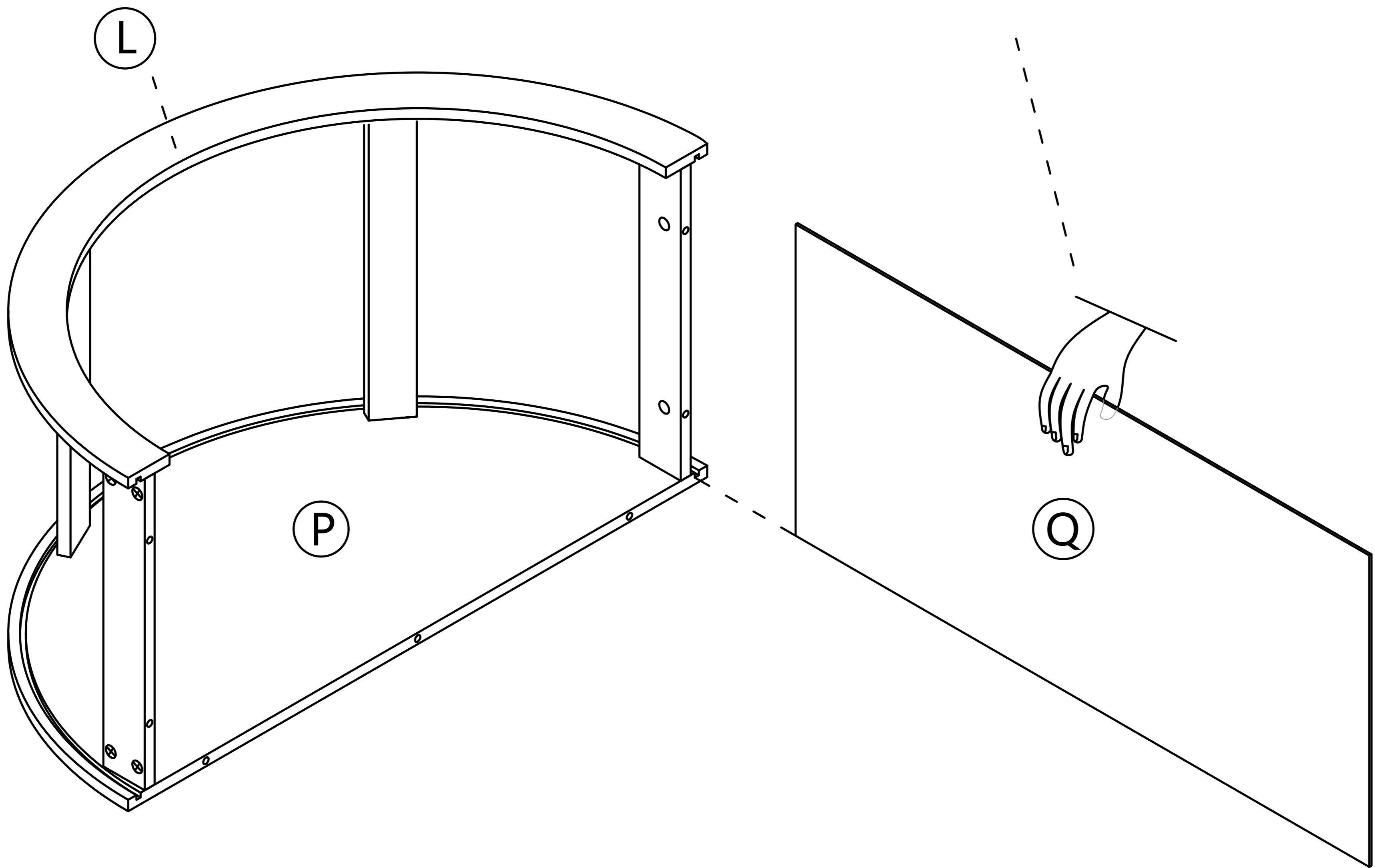


Step 34

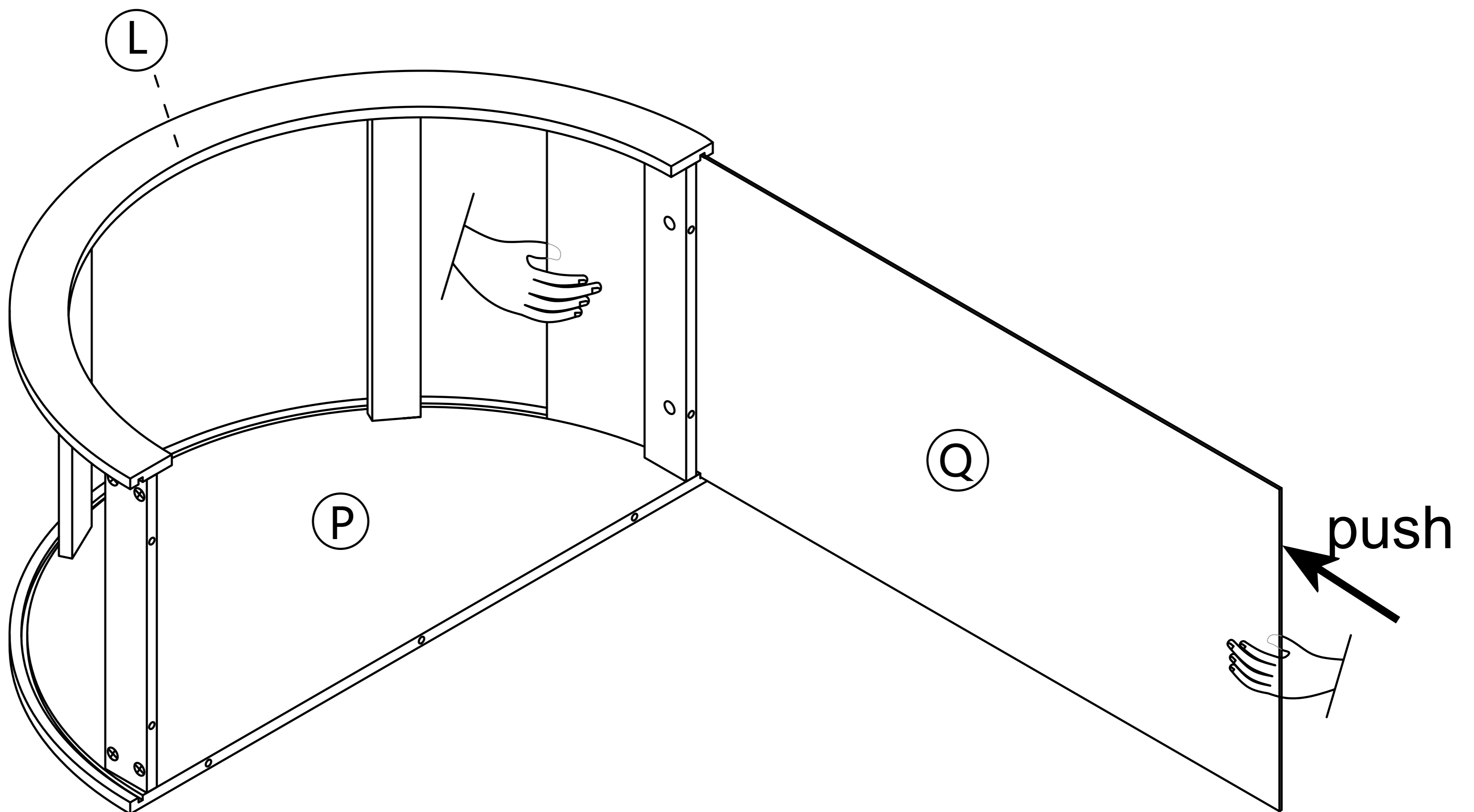


Step 35

Note: When installing the Q plate, push the middle of the Q plate by hand to push the Q plate into the groove.



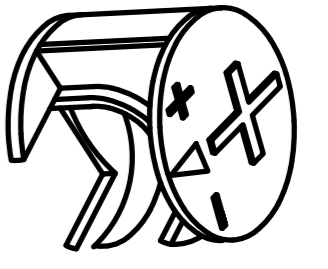
According to the circular groove, insert Q into P and L grooves.



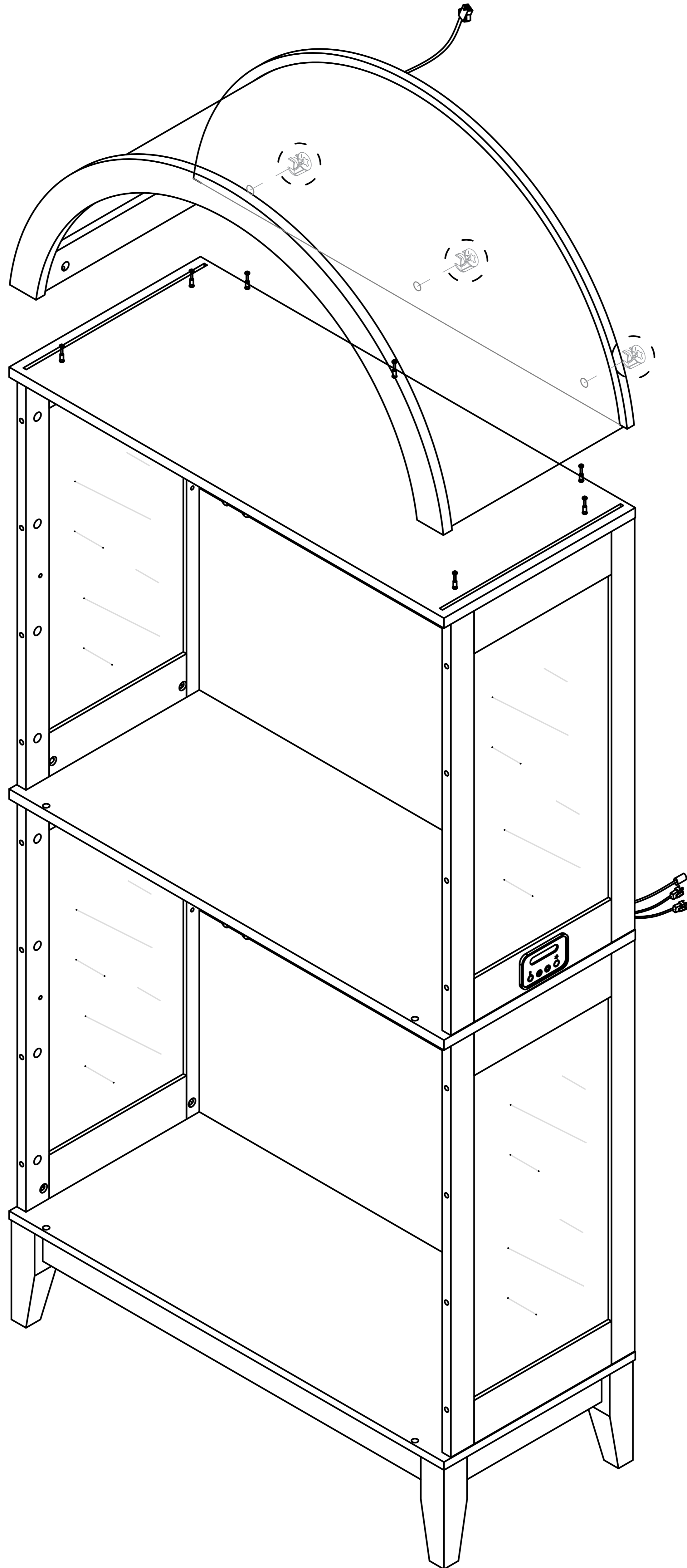
If it is difficult to push the Q plate in, you can use the pull method.

Step 36

2



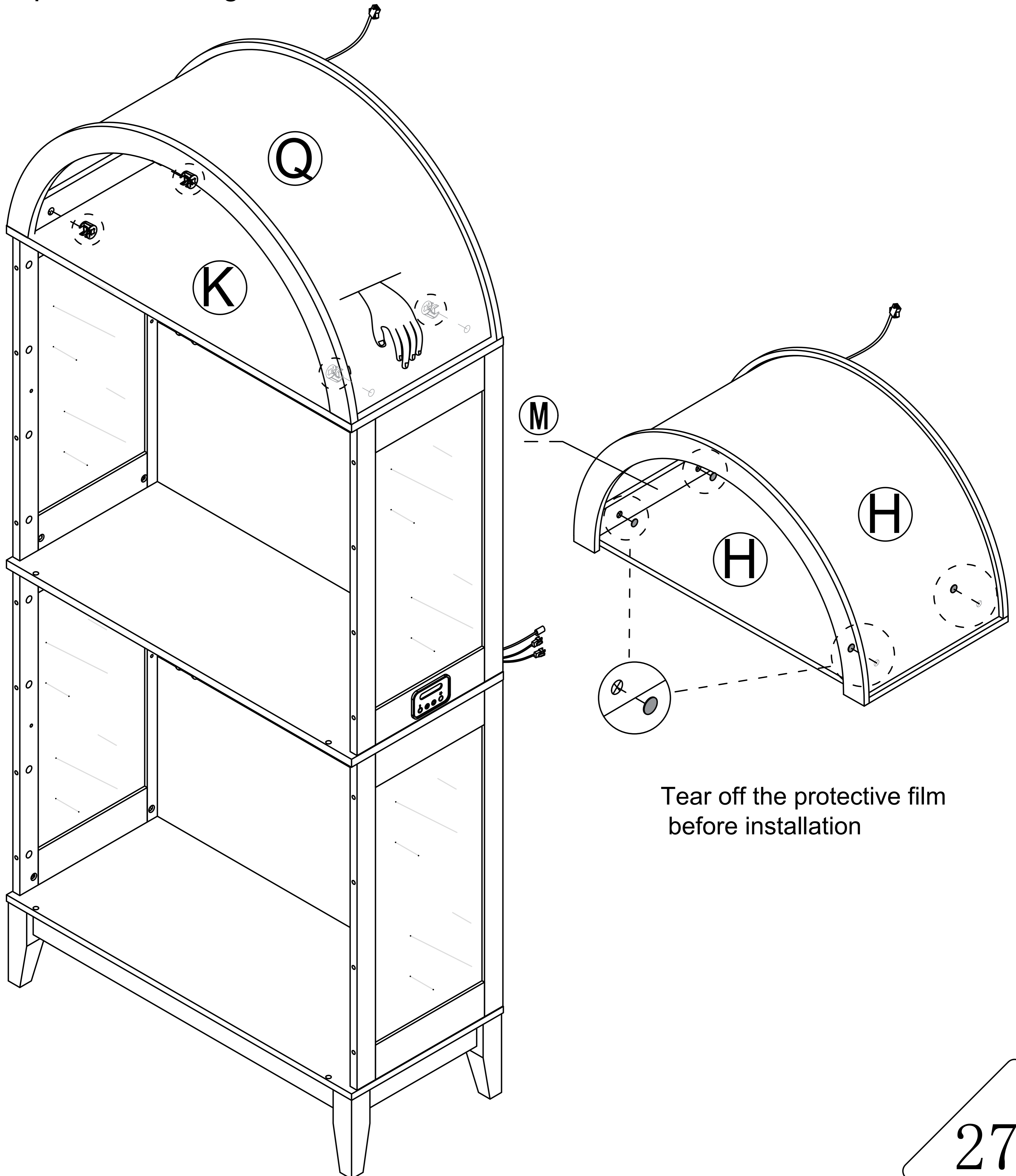
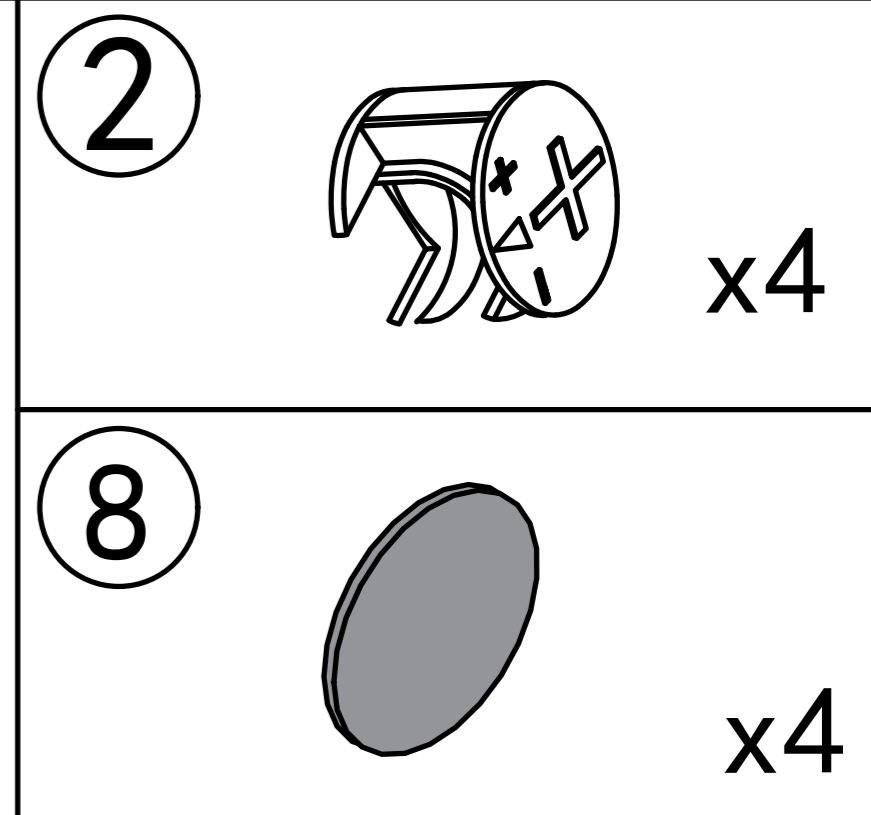
x3



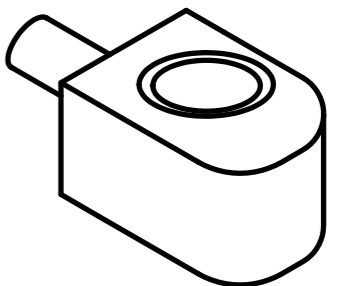
Step 37

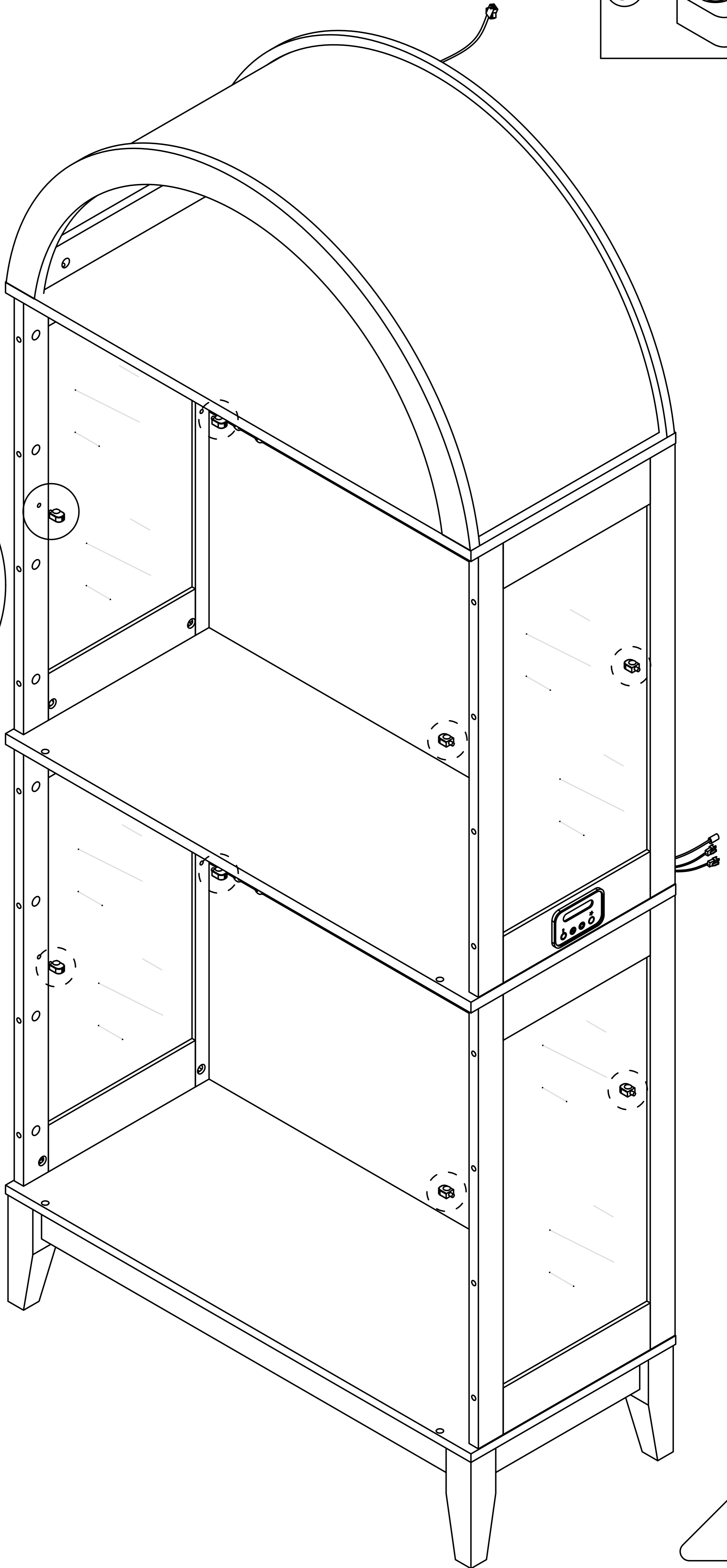
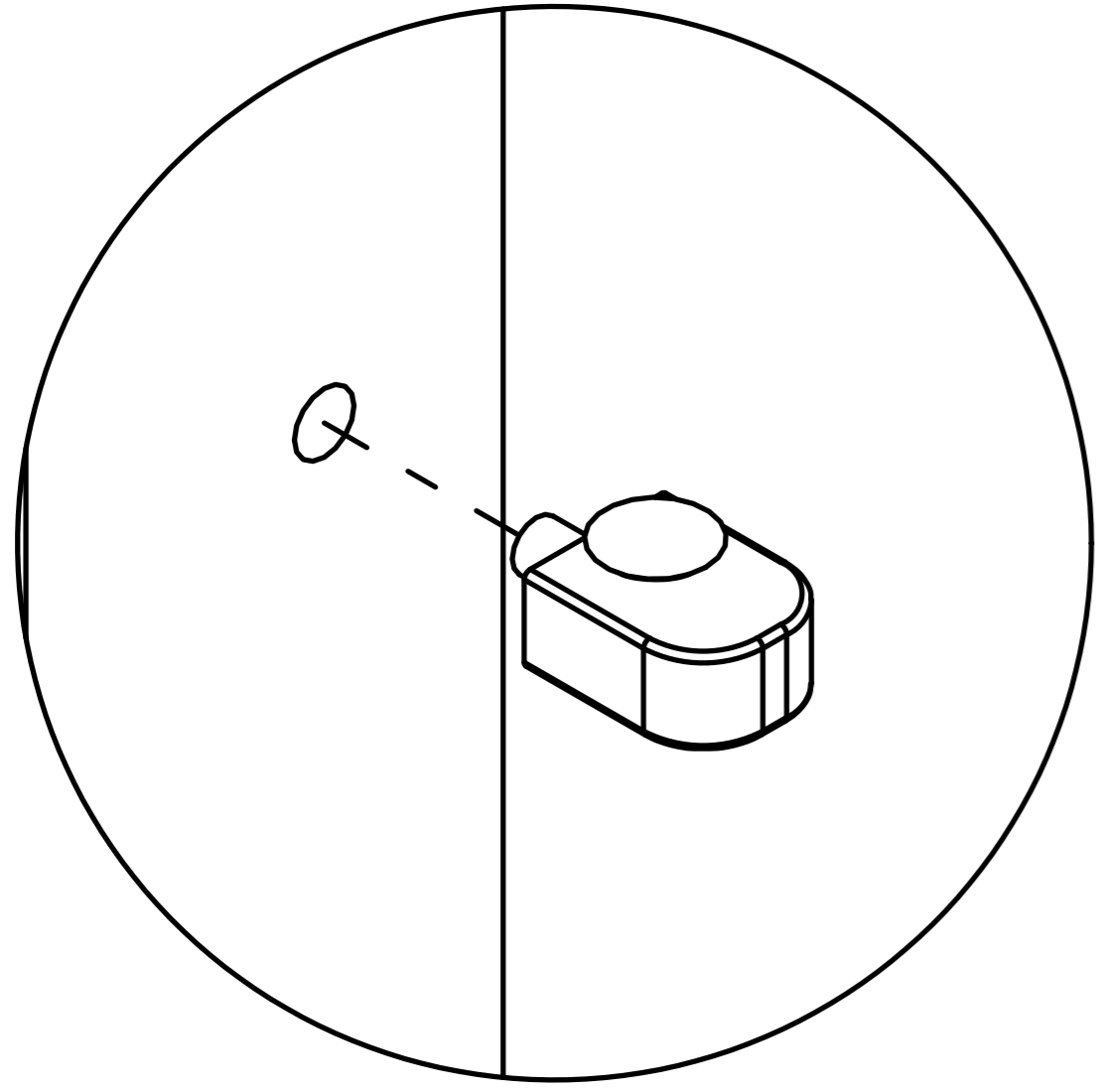
Note: After installing the Q board, you need to pat the backboards on both sides into the grooves of the K board by hand.

Note: pat the Q plate on the left and then screw the nut, then pat the Q plate on the right and screw the nut.

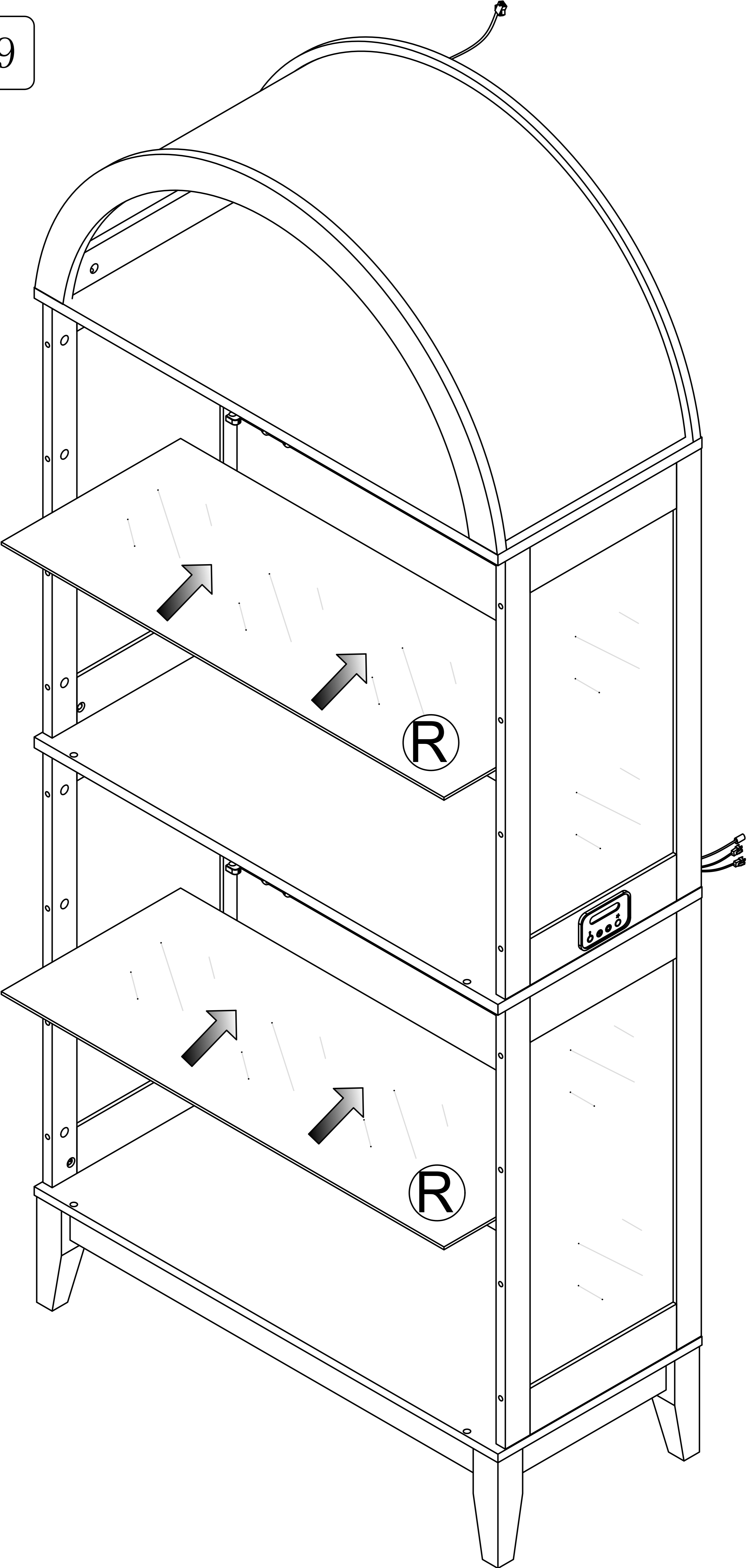


Step 38

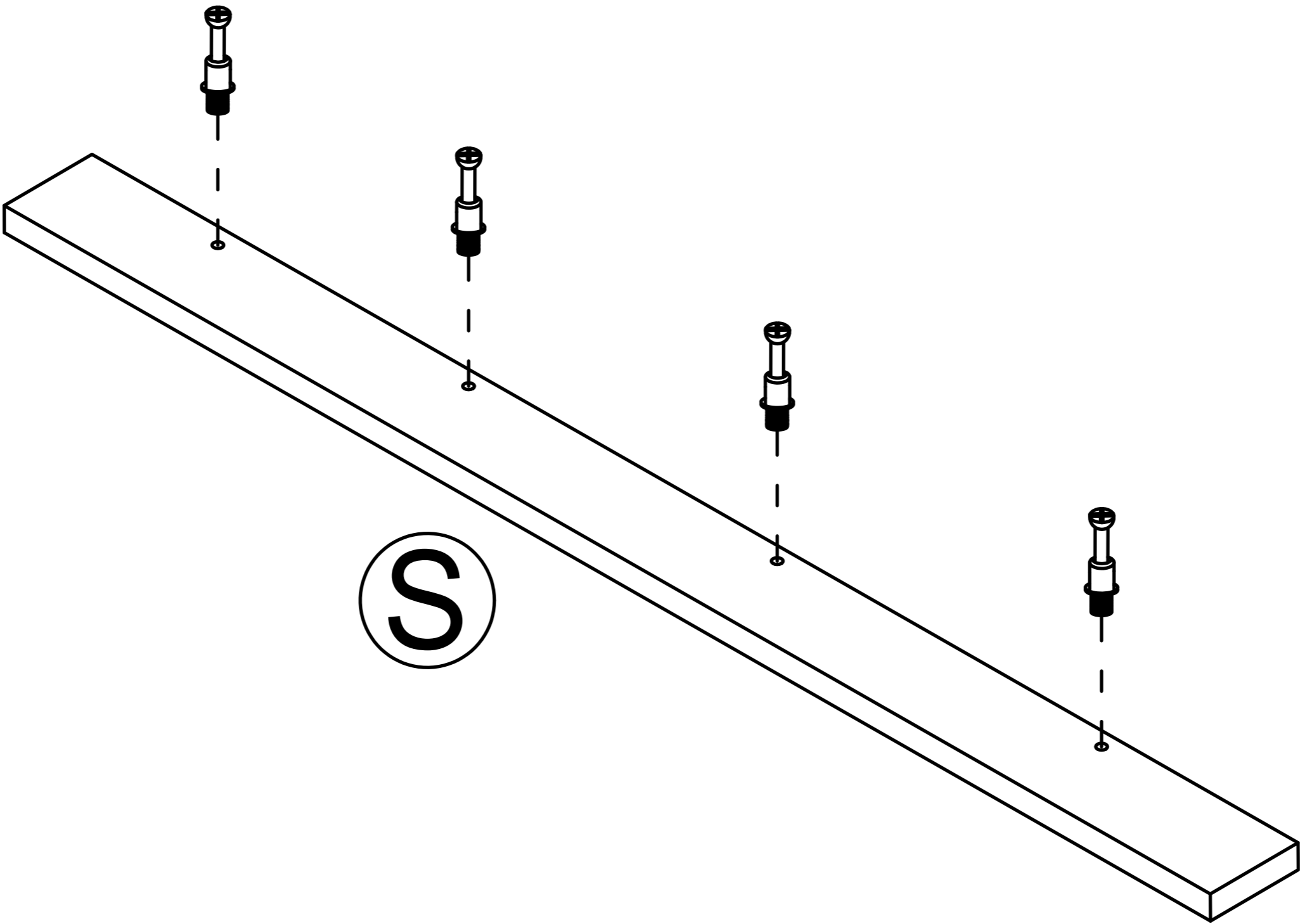
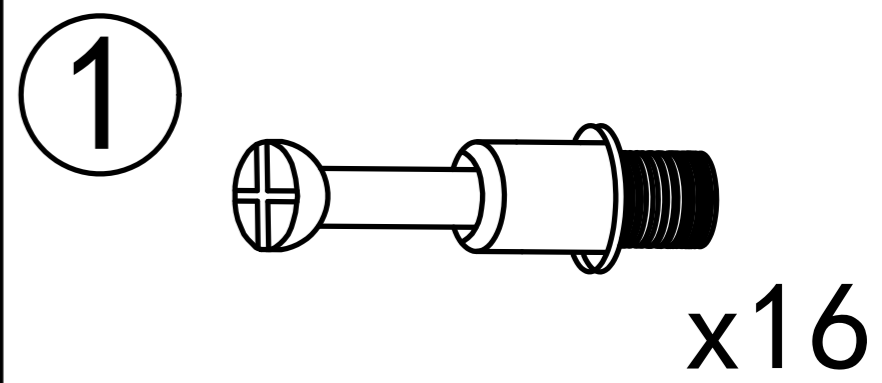
9  x8



Step 39

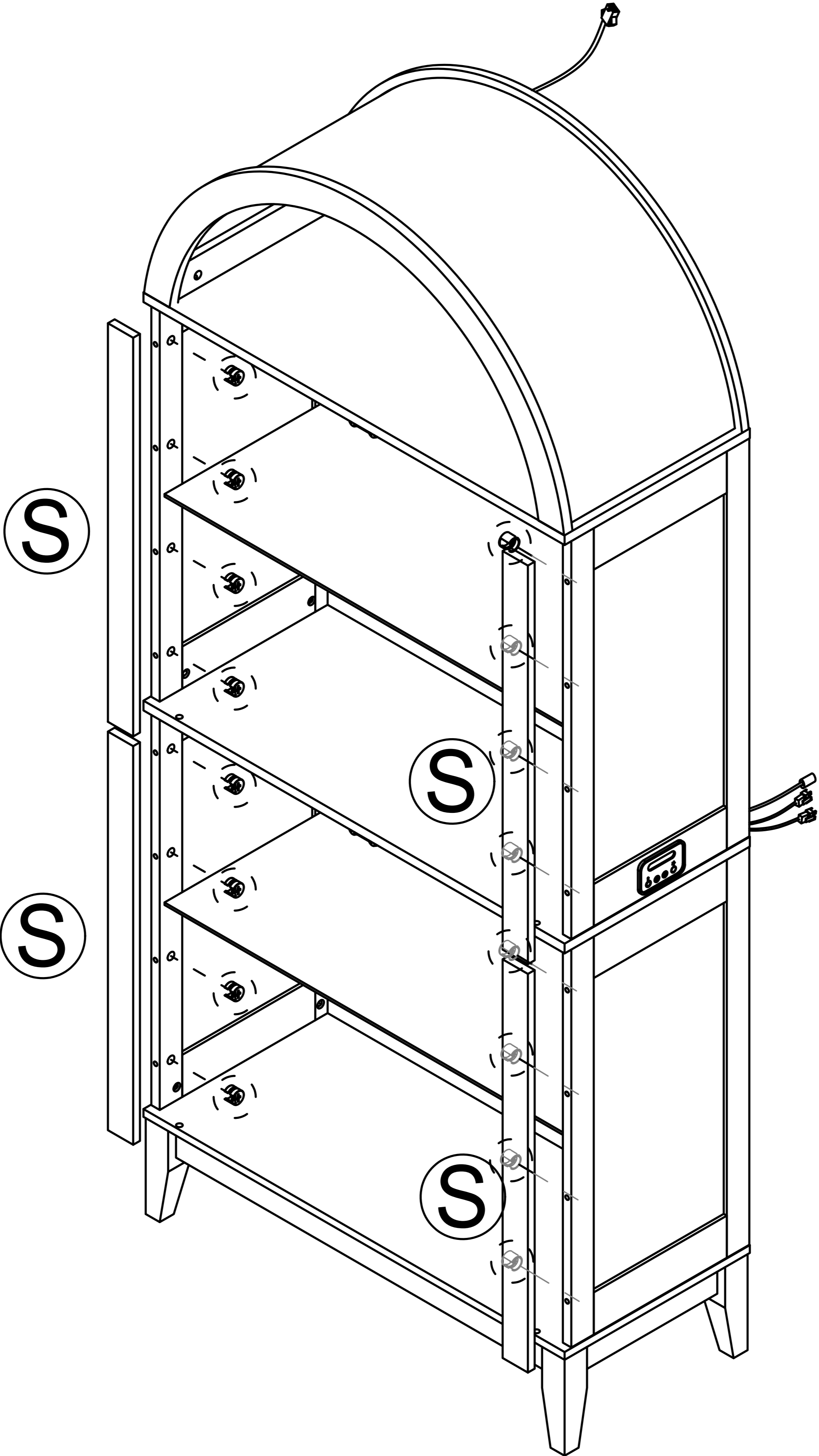
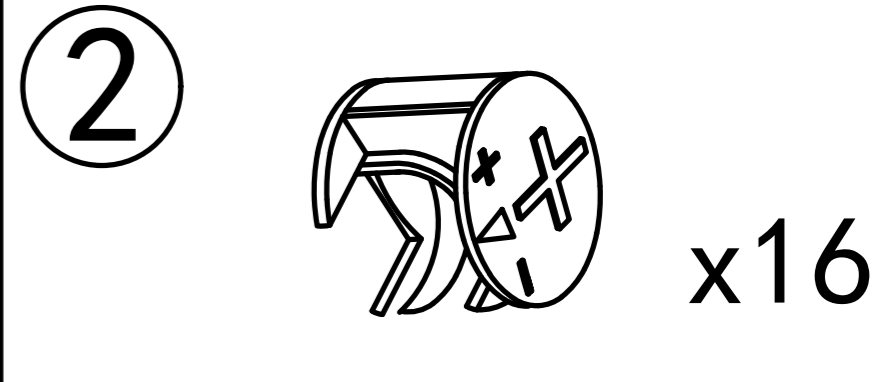


Step 40



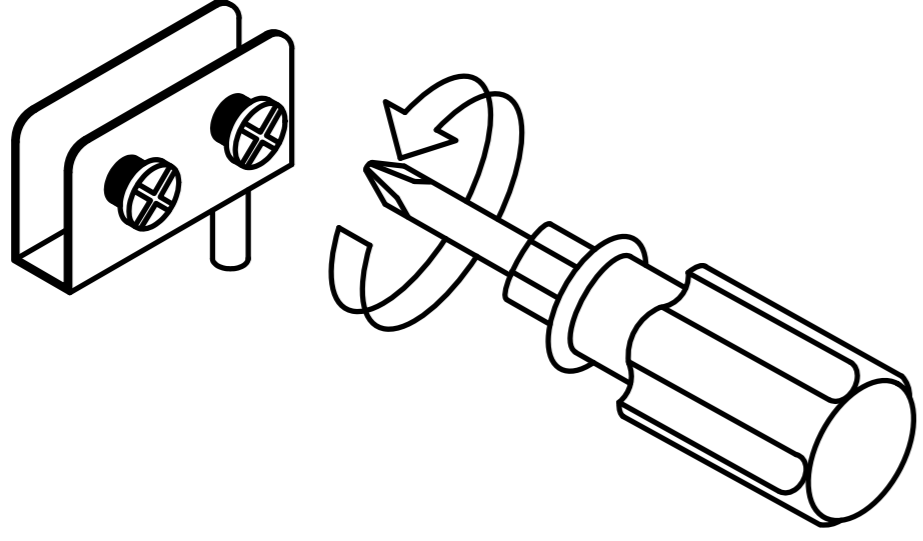
Steps and objects x4

Step 41

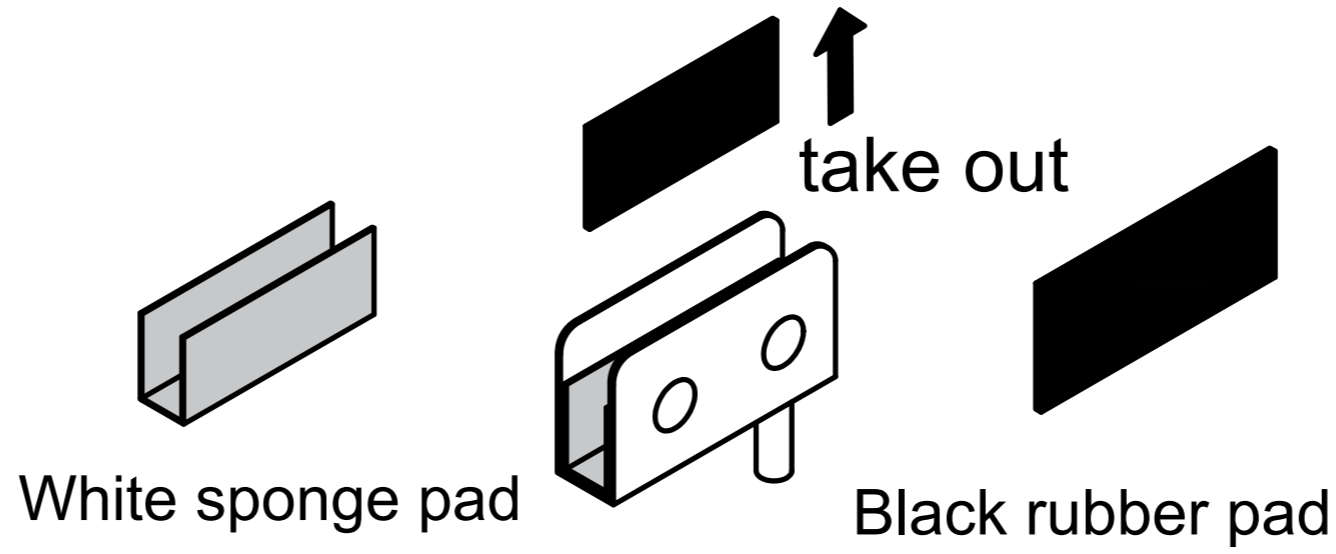


Step 41

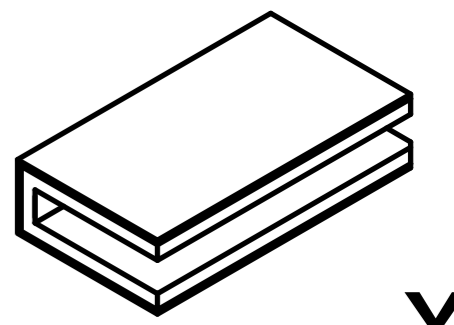
First, completely unscrew the screws on the parts



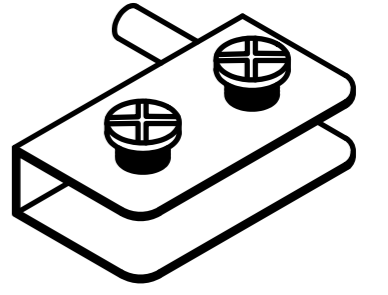
Then take out the black rubber pad from the inside of the part, and the white sponge remains unchanged inside the part.



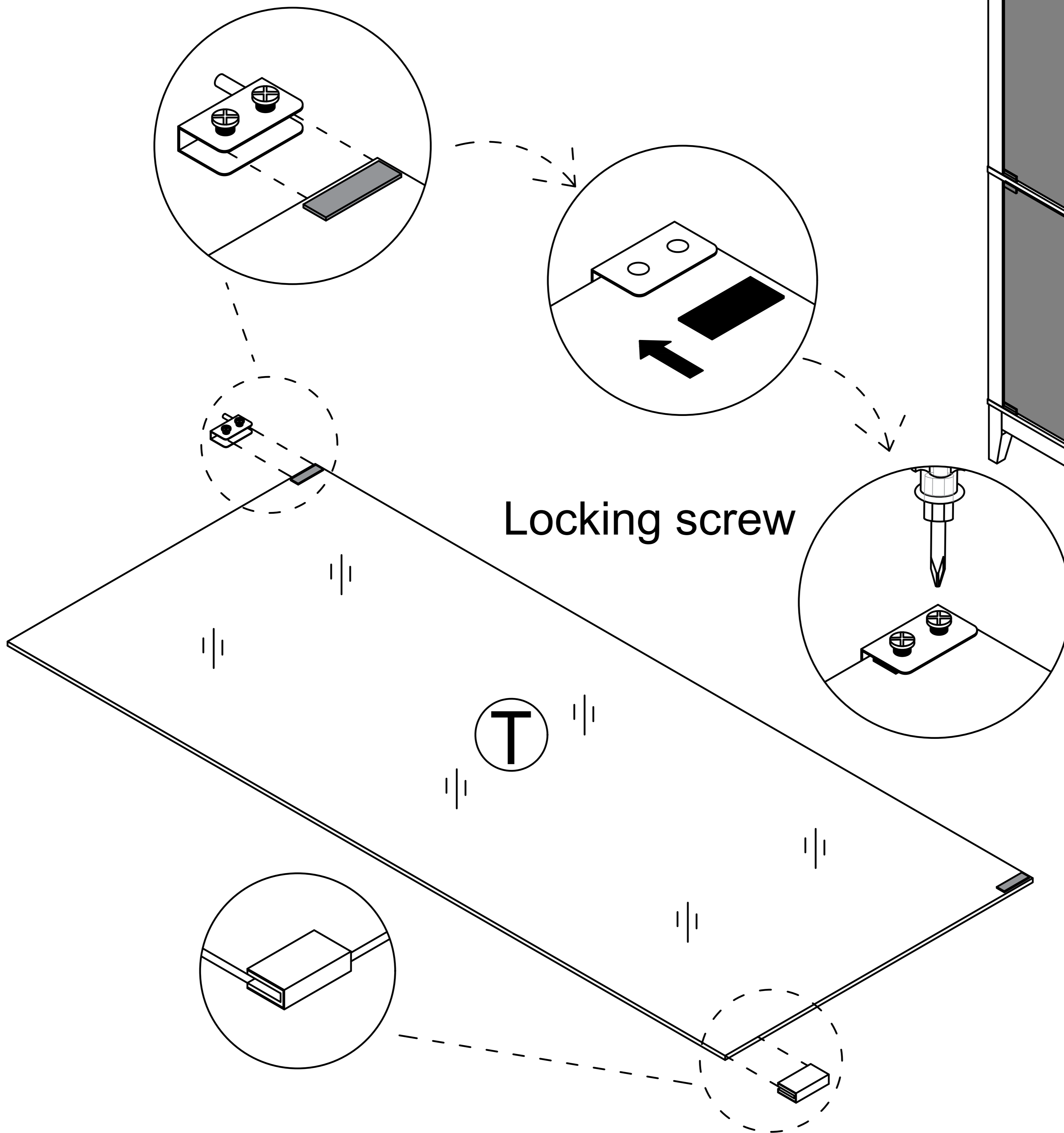
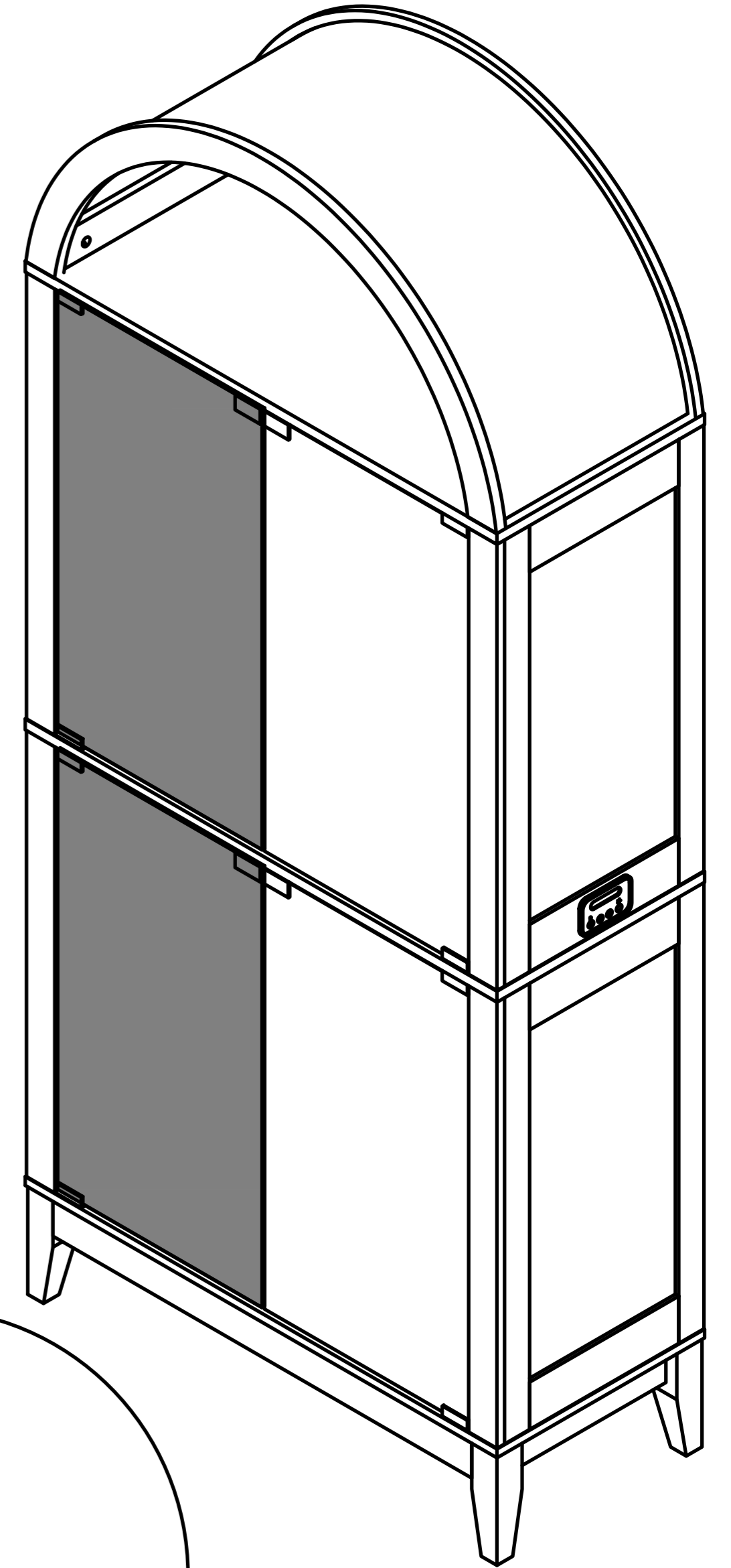
5



x2



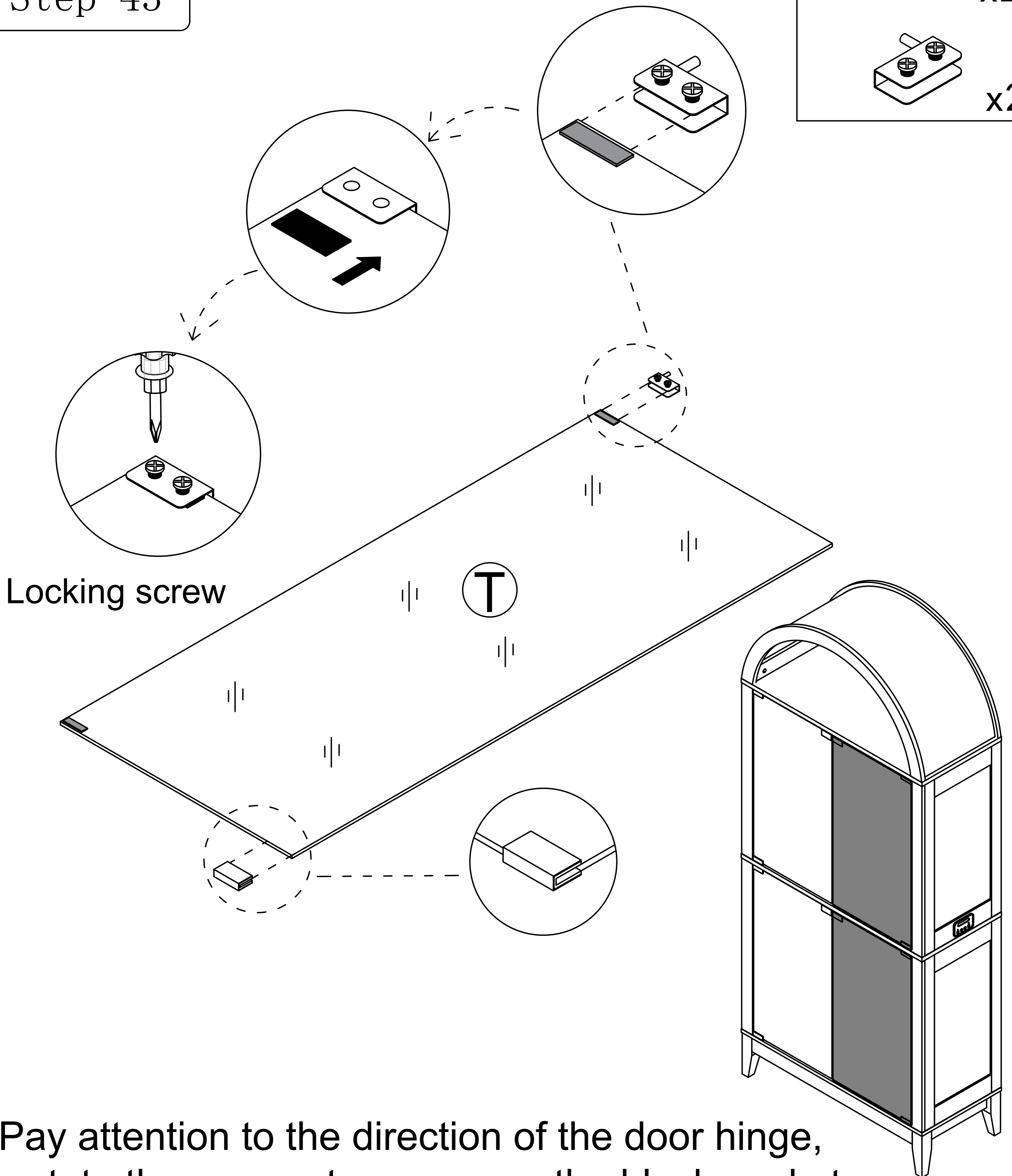
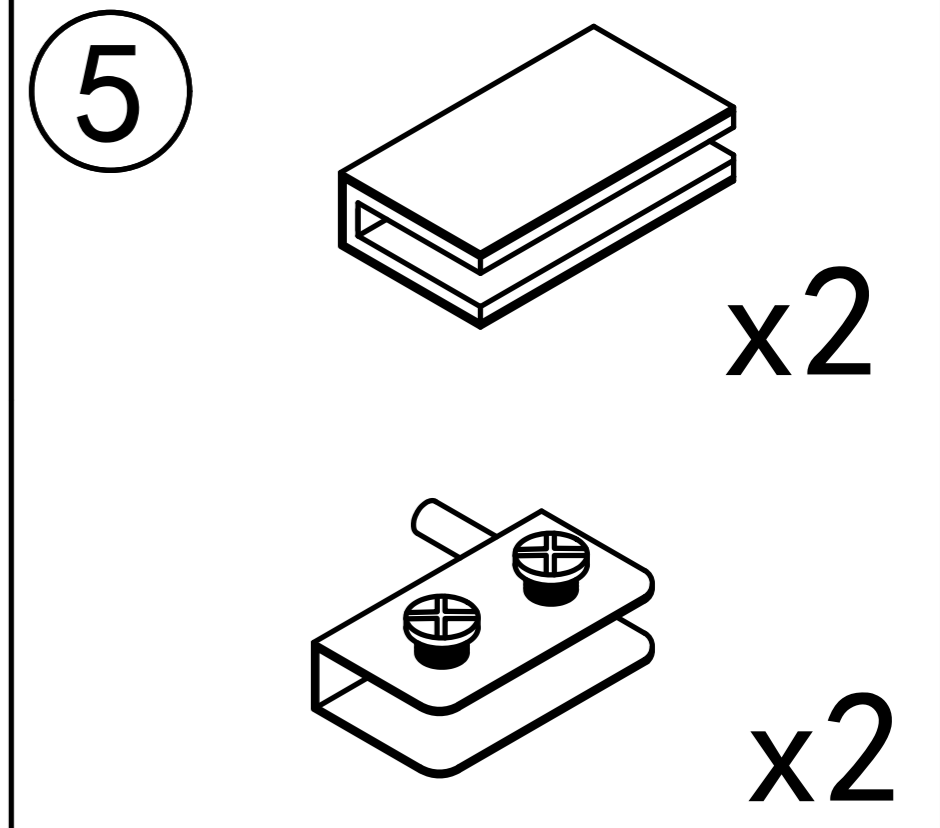
x2



Pay attention to the direction of the door hinge, rotate the screws to compress the black gasket, and do not place it in the opposite direction

Place the black gasket on the side where the screws are installed

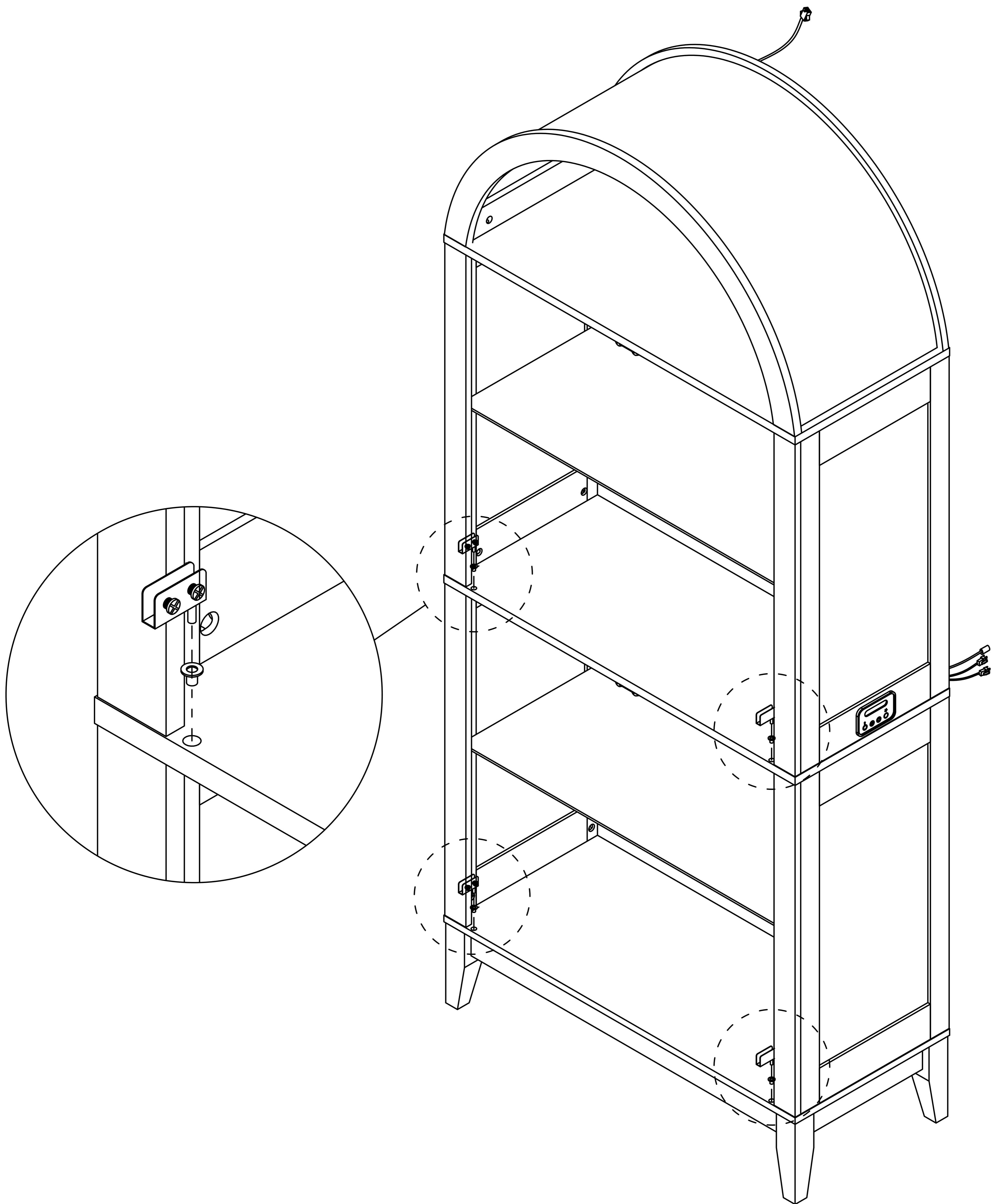
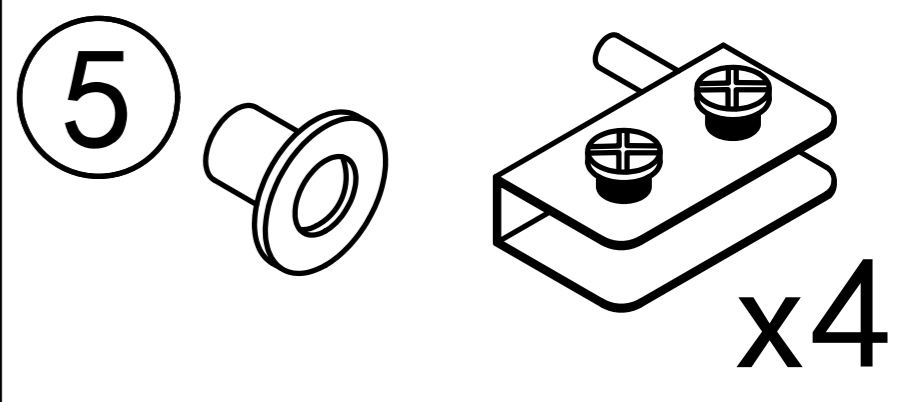
Step 43



Pay attention to the direction of the door hinge, rotate the screws to compress the black gasket, and do not place it in the opposite direction

Place the black gasket on the side where the screws are installed

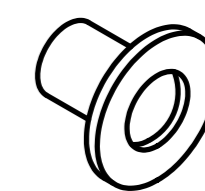
Step 44



Step 45

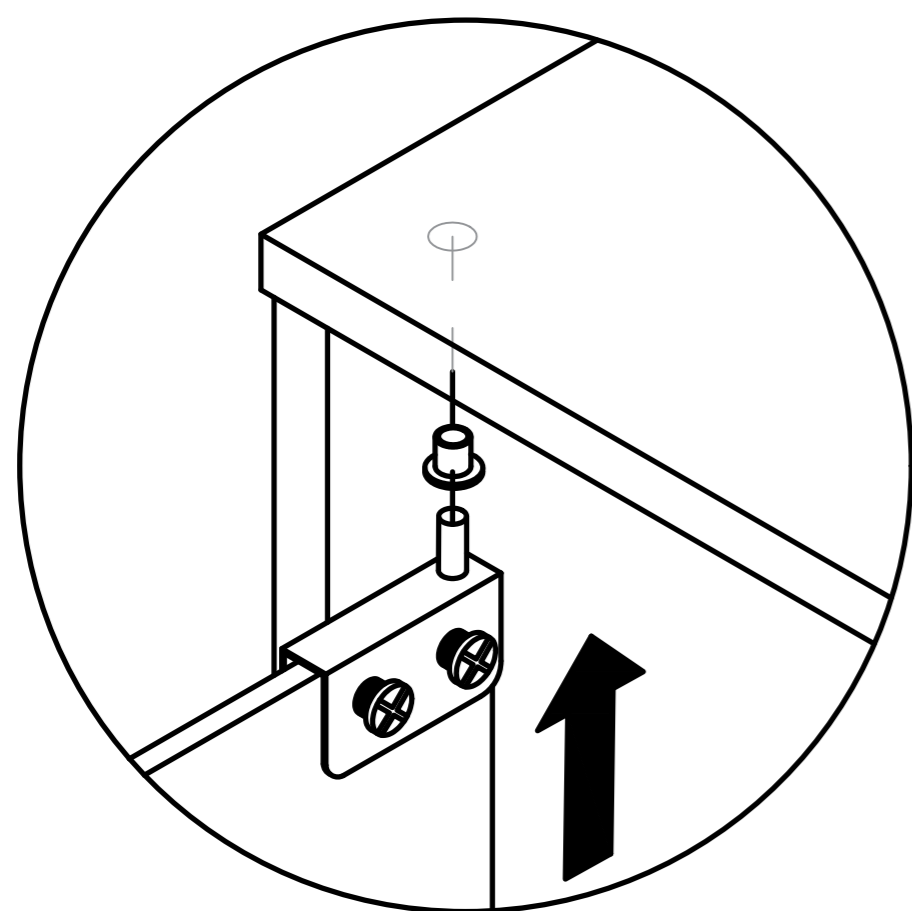
Pay attention to the direction of the door hinge during installation

5

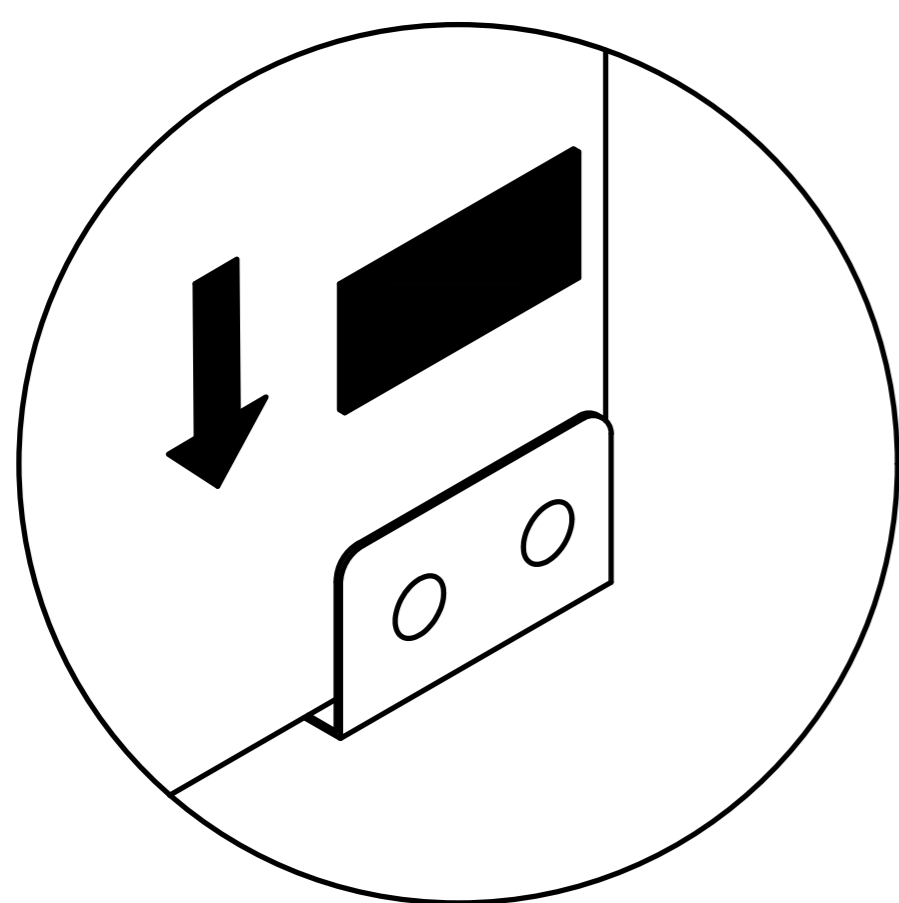


x4

When installing a glass door, it is recommended to have two people install it to avoid the glass door colliding or hitting oneself.

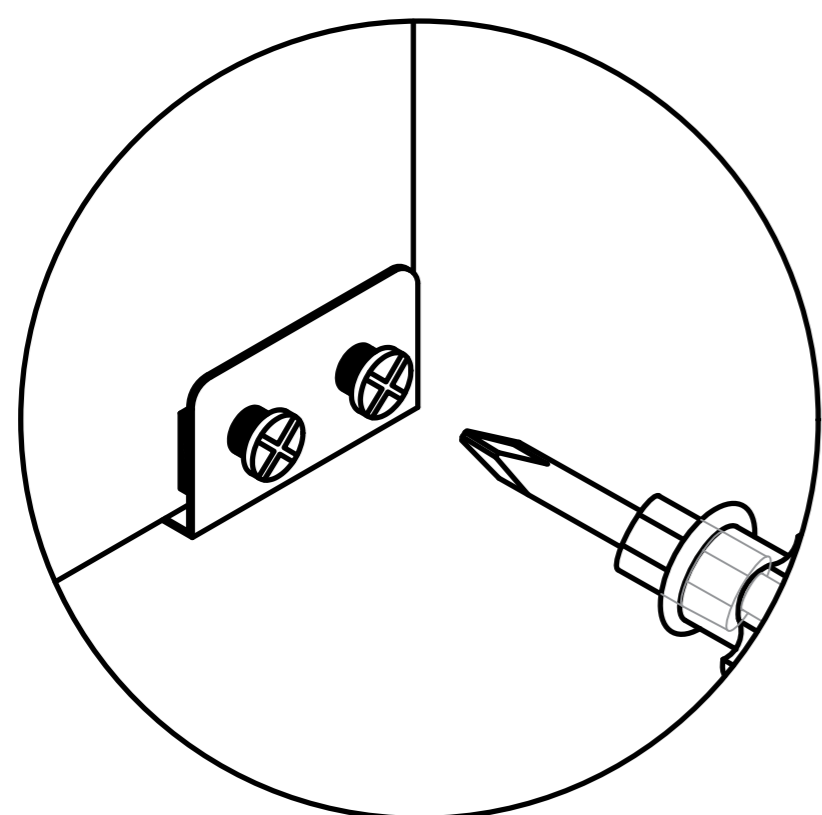


first



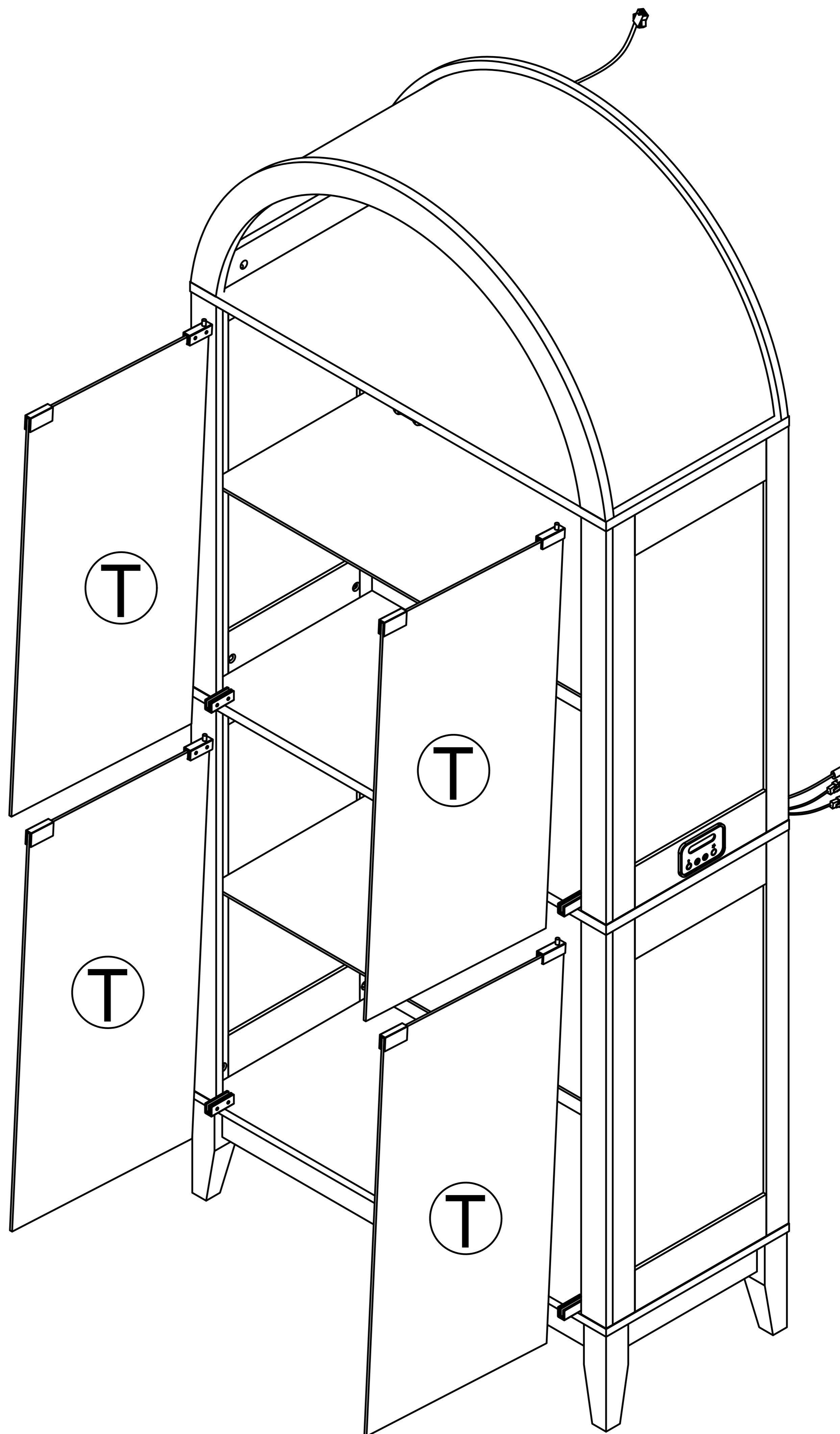
second

After installing the glass door, place the black gasket on the side where the screws are installed

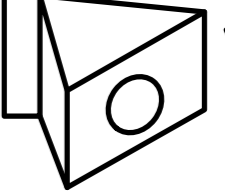



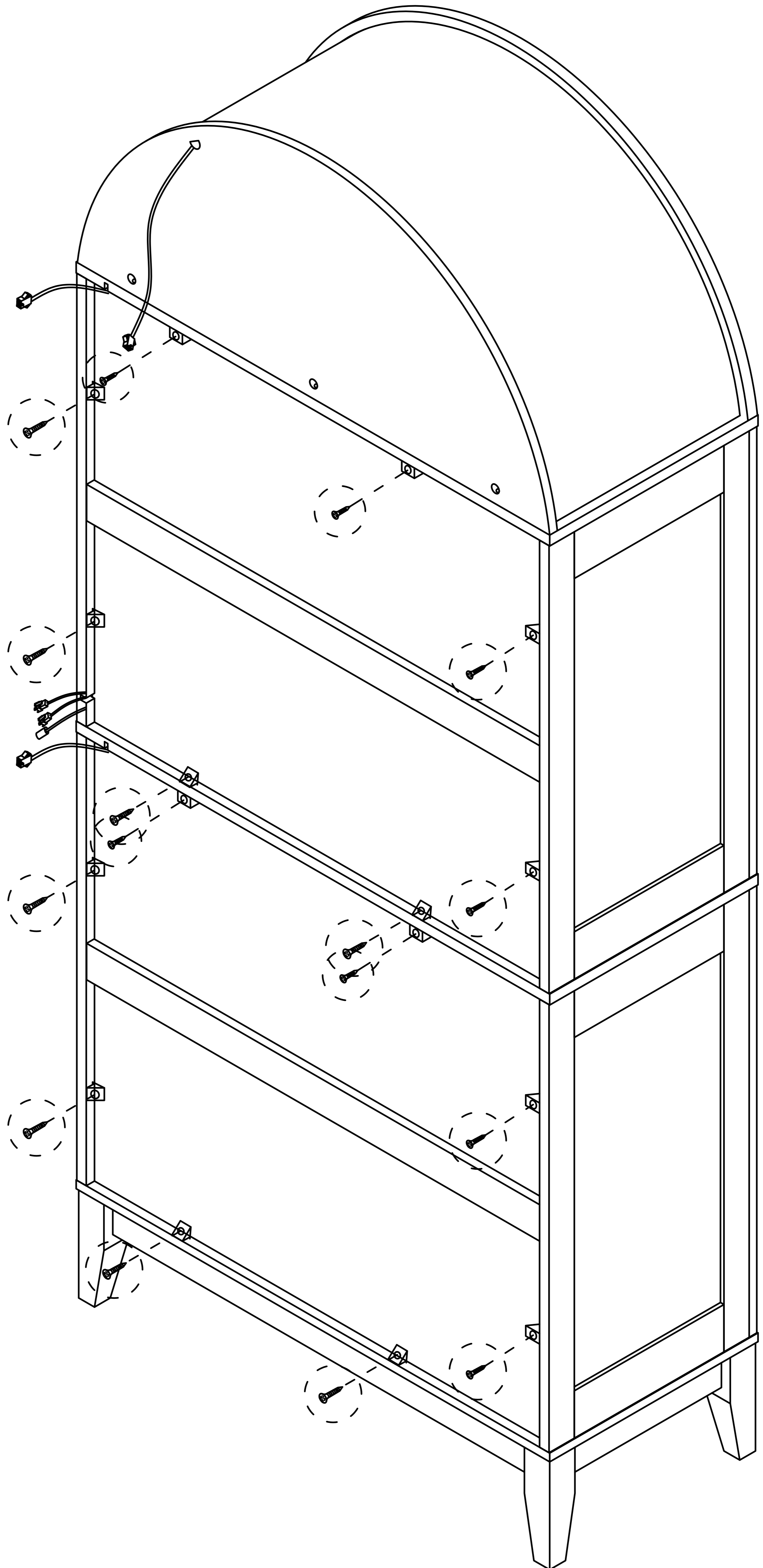
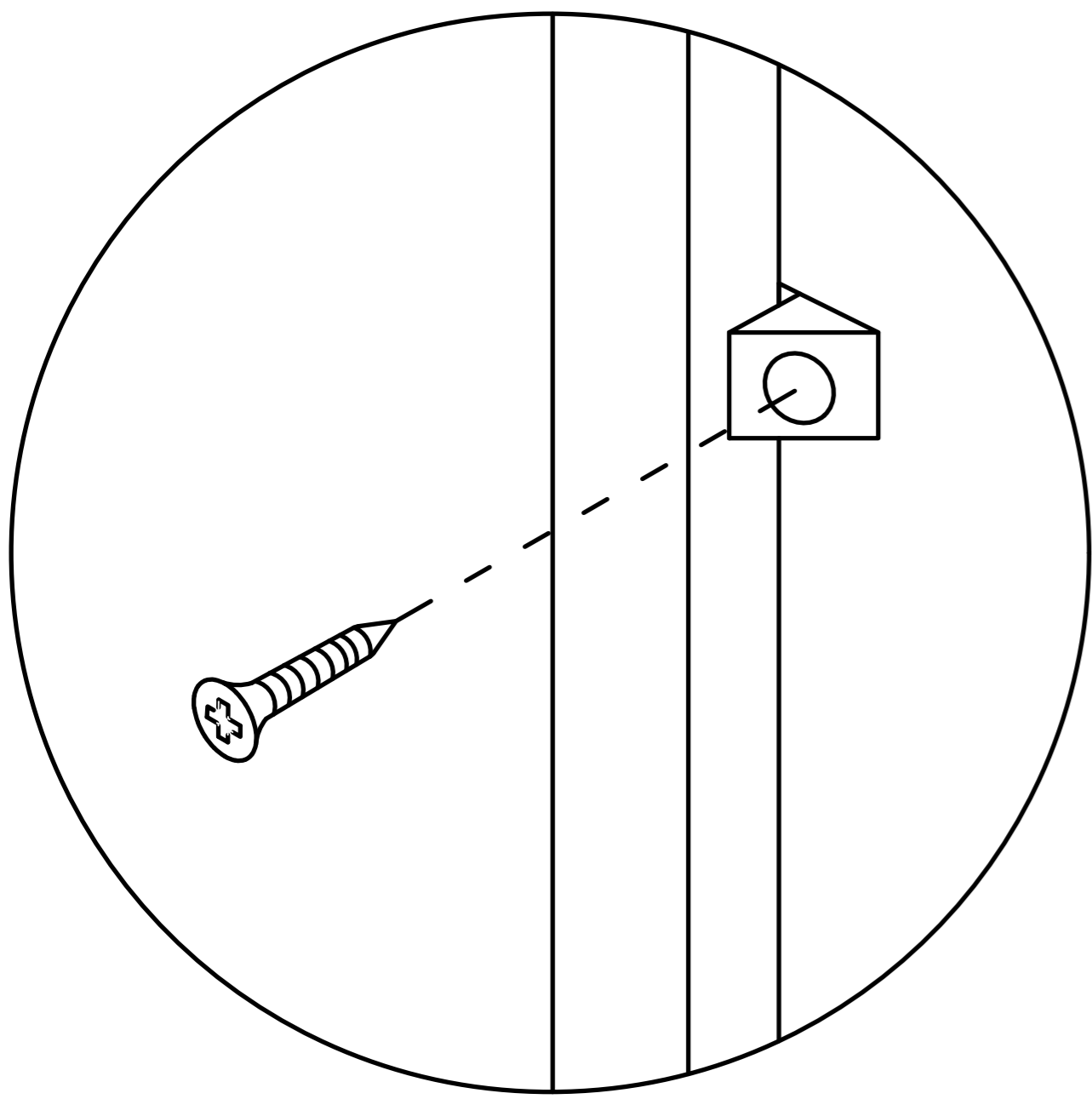
third

Locking screw



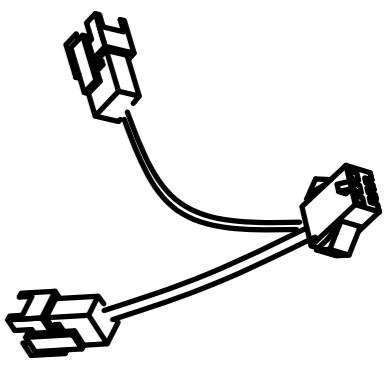
Step 46

10   x16

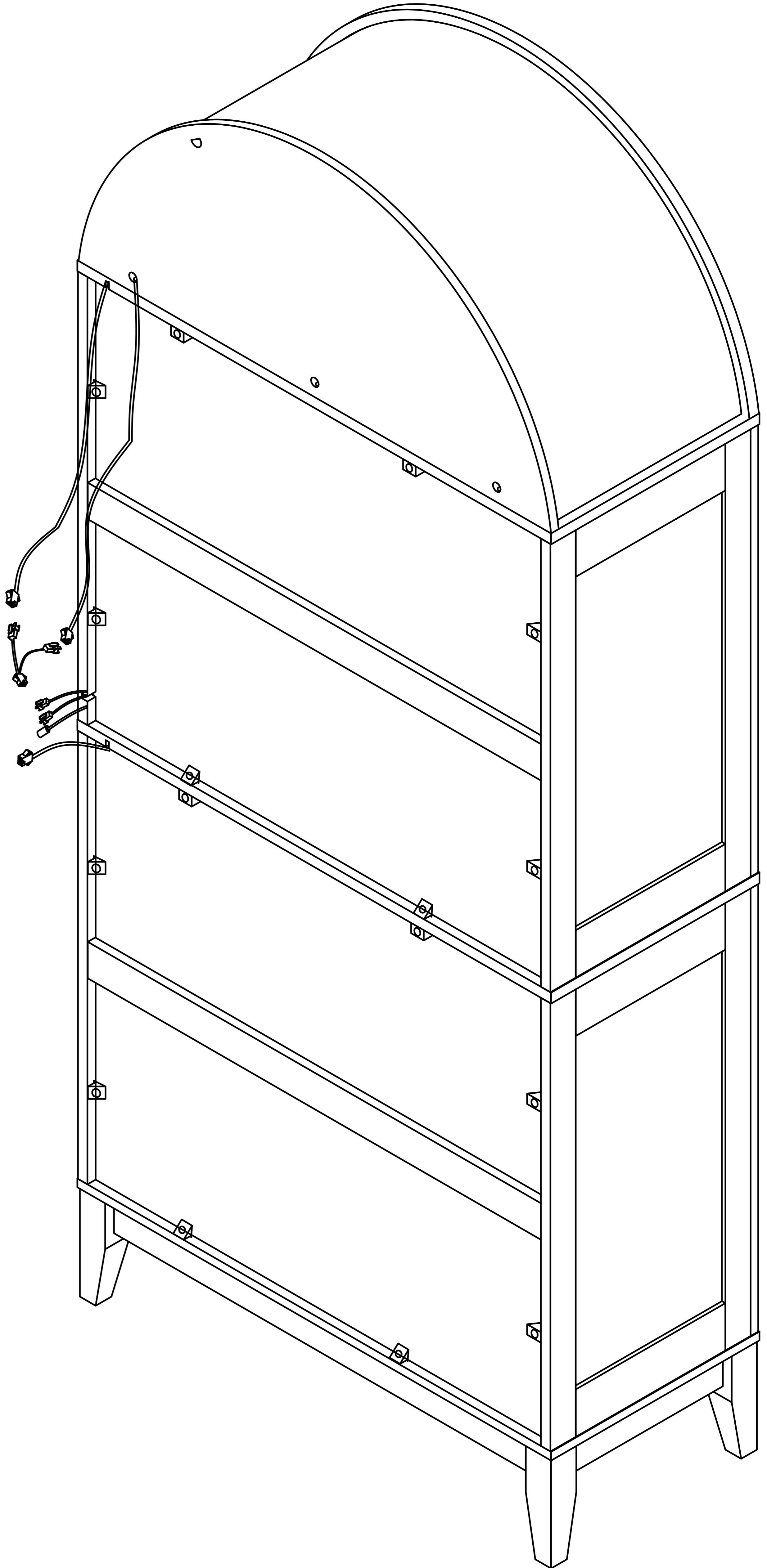
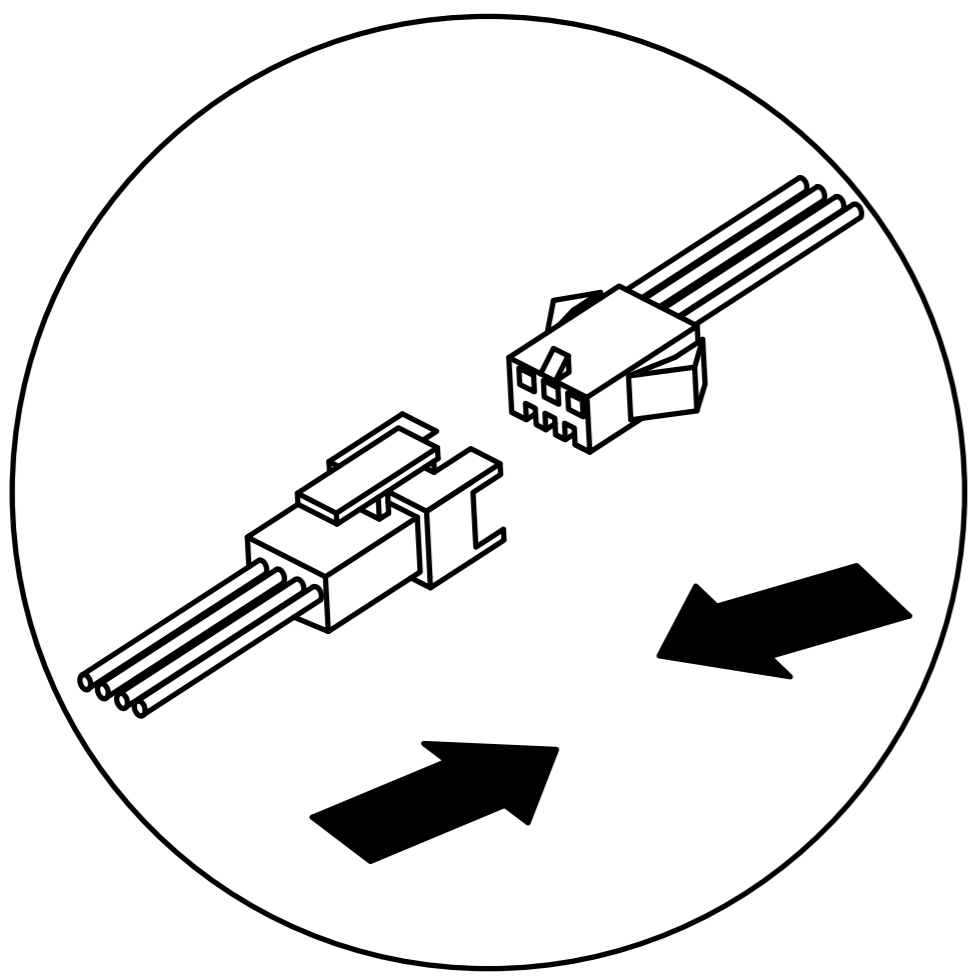
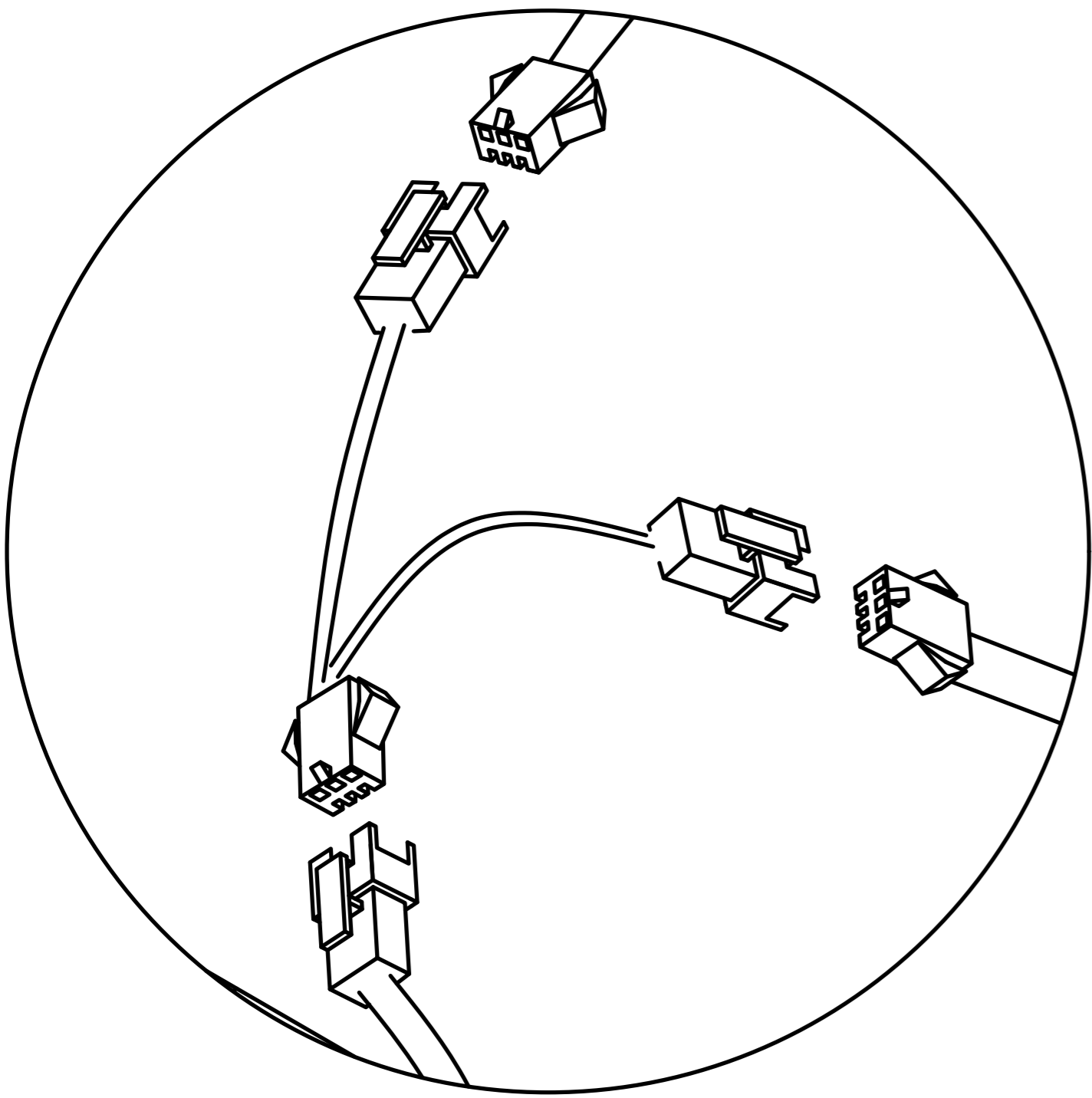


Step 47

11

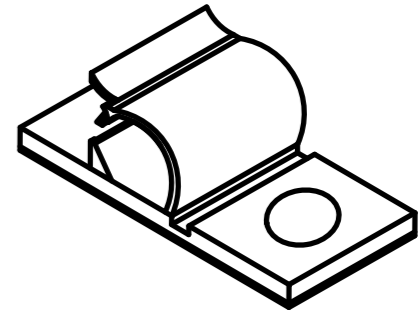


x1

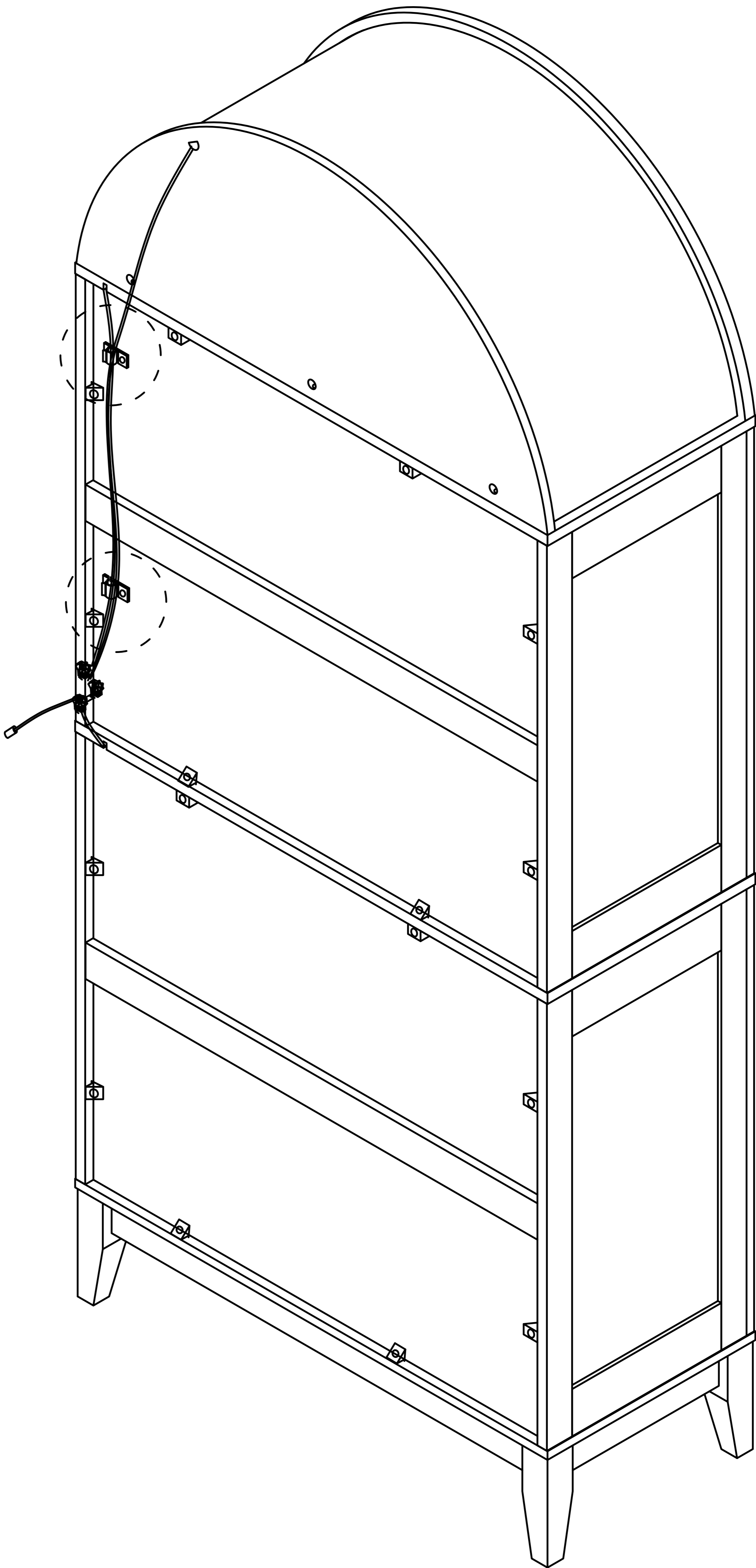
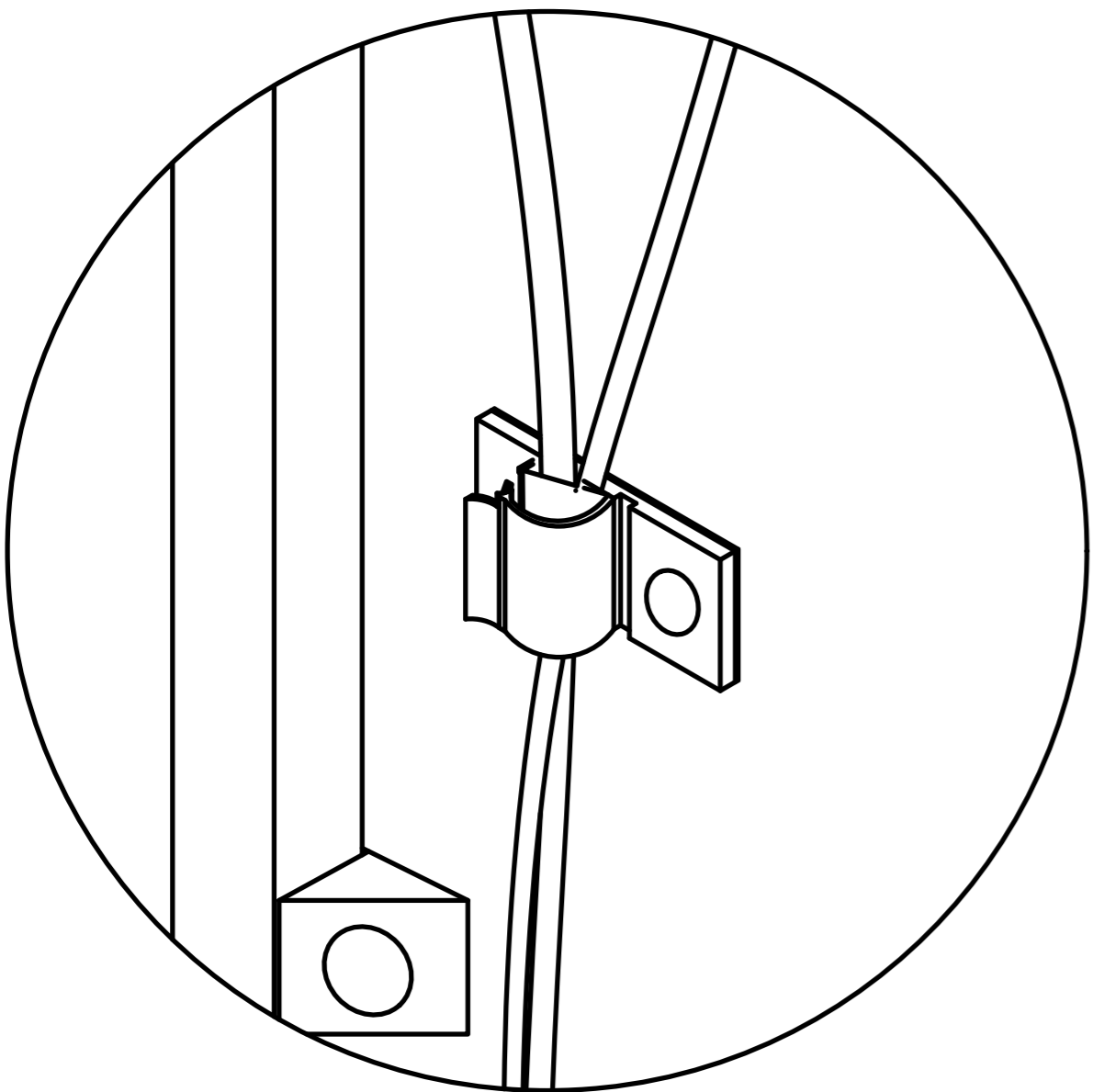


Step 48

12

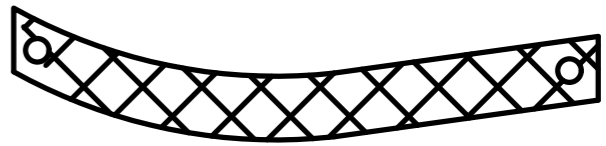


x2



Step 49

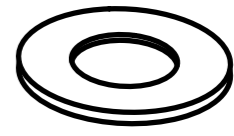
13



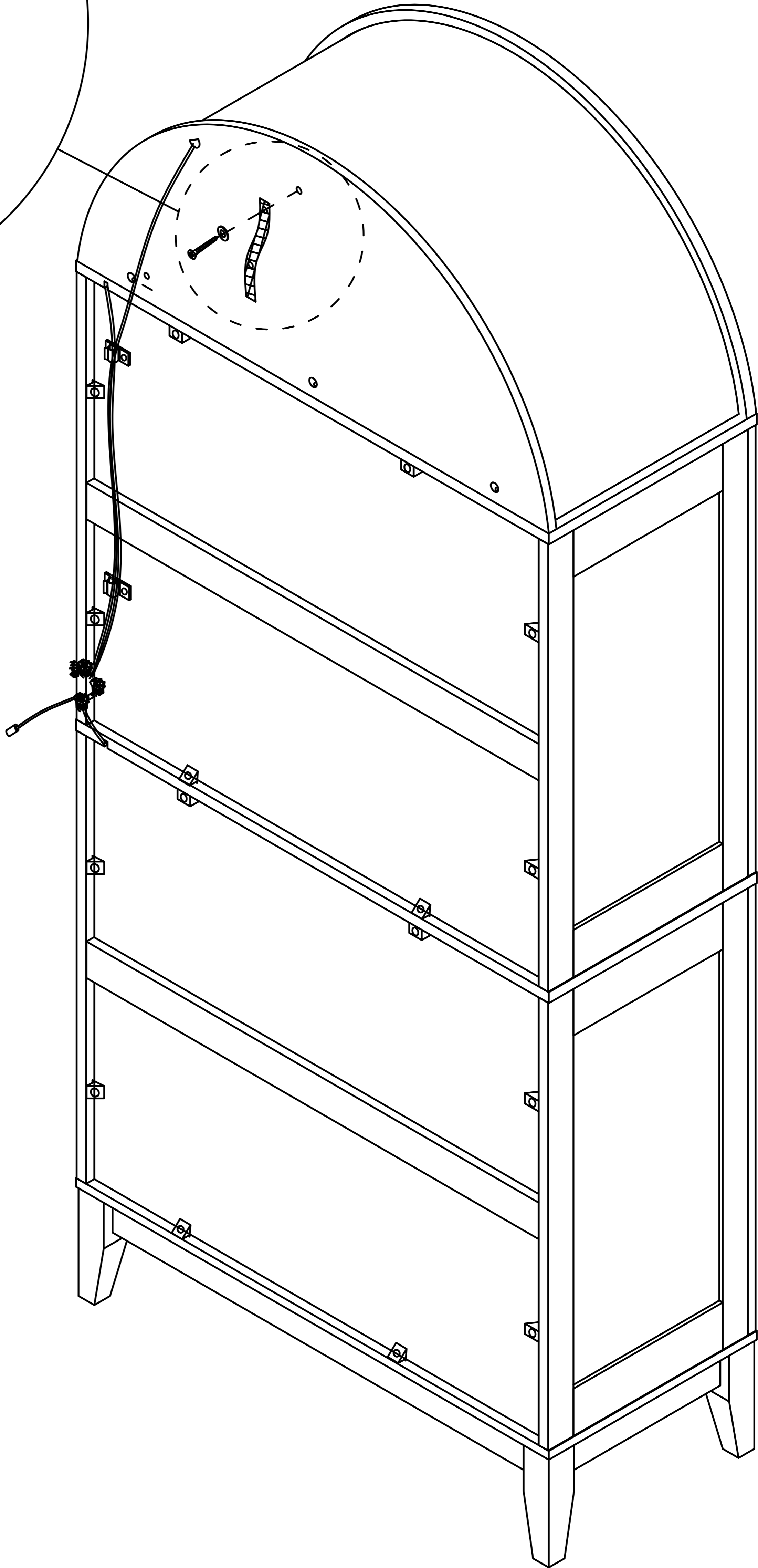
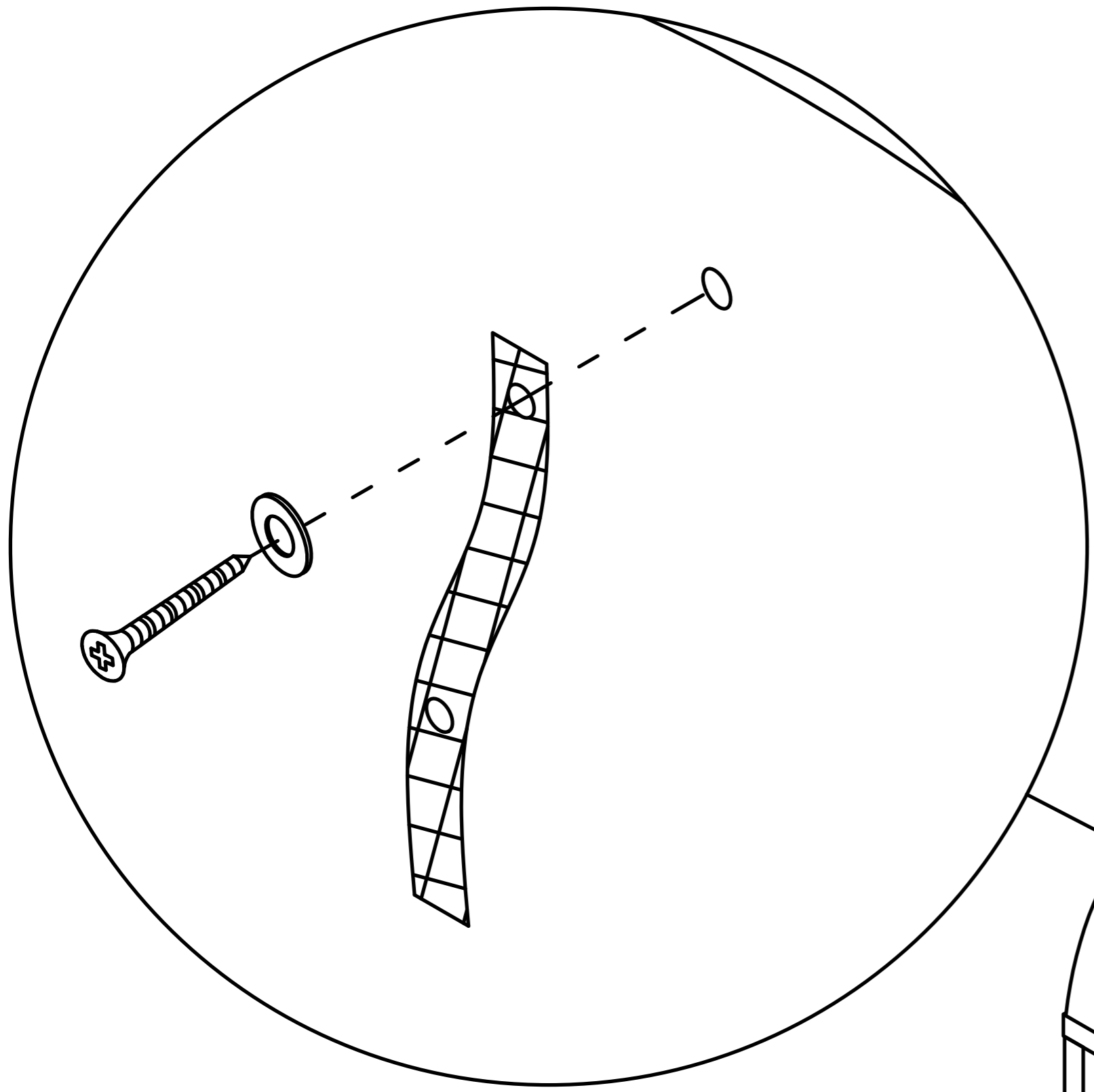
1 pcs



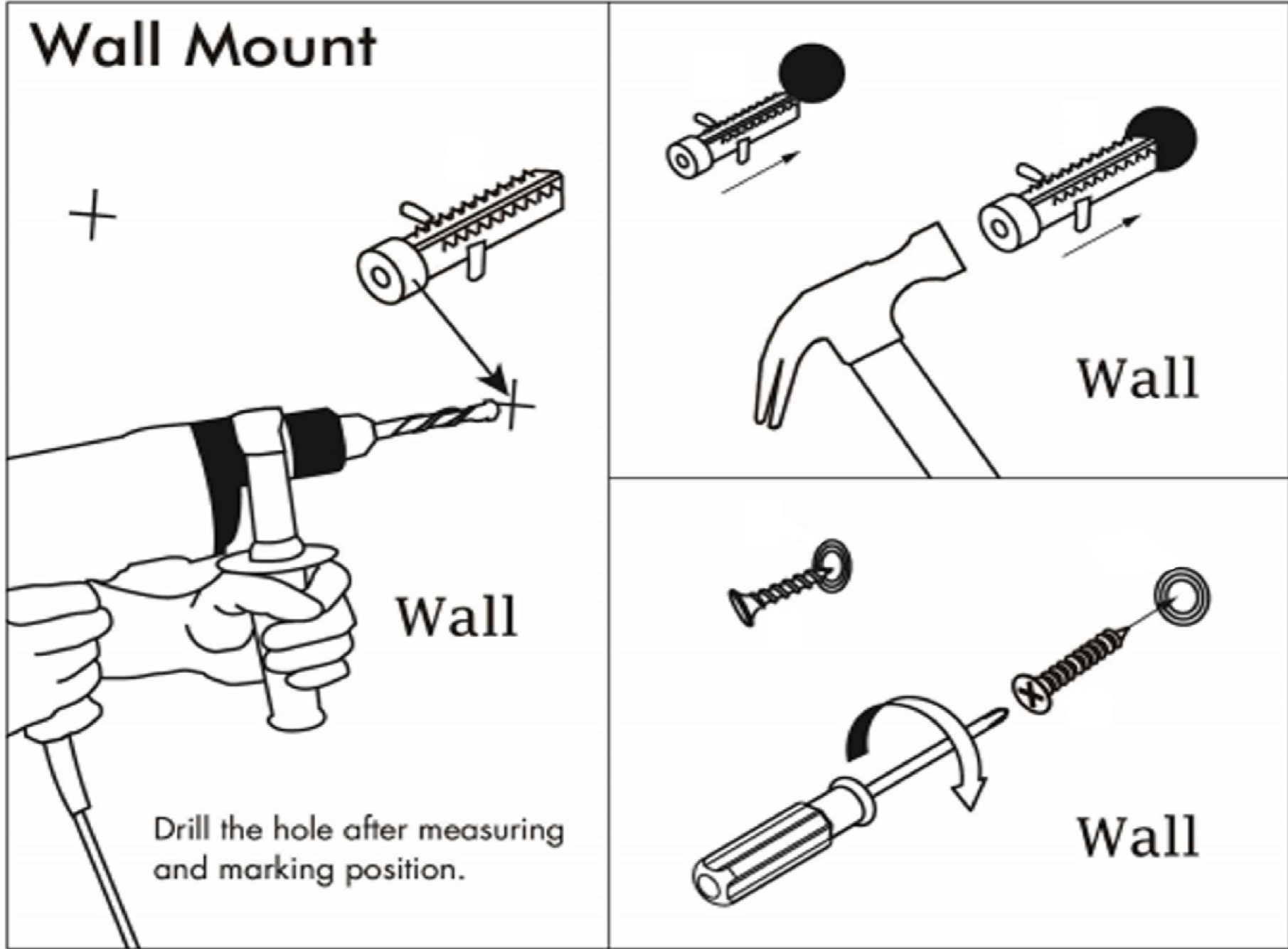
1 pcs



1 pcs

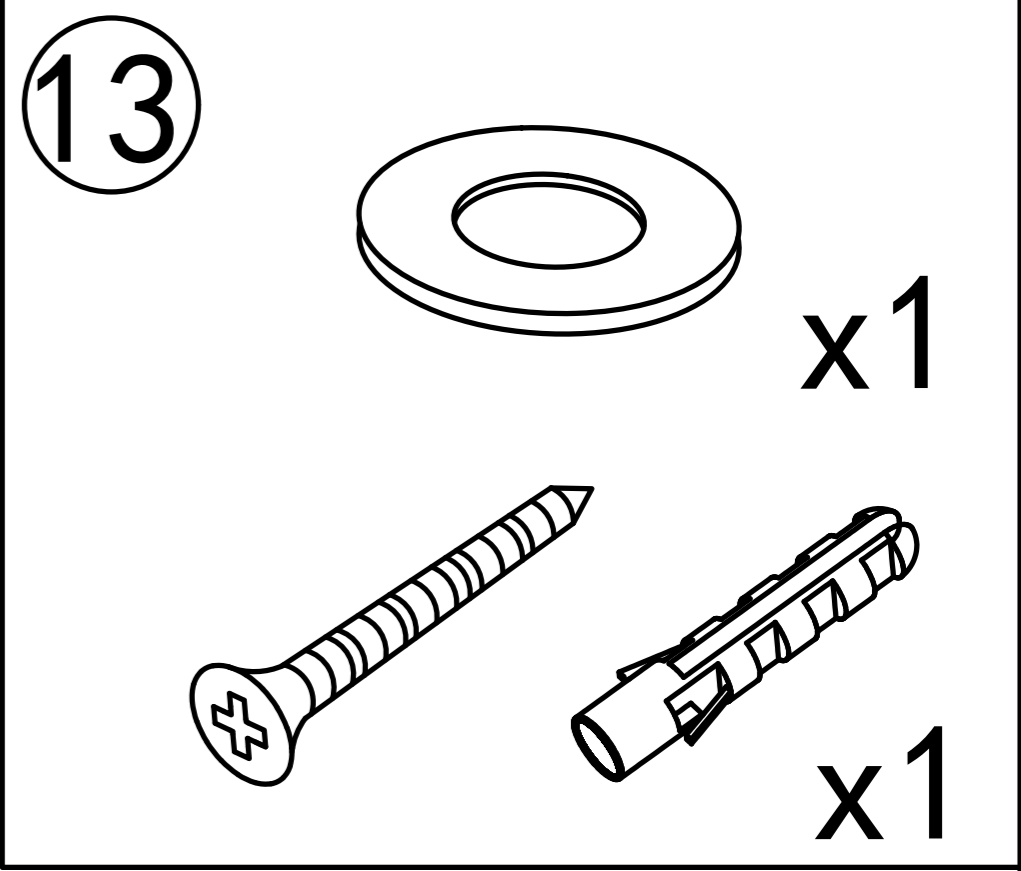


Step 50



use a ruler to measure the approximate height of the product on the wall, and then mark it with a pencil.

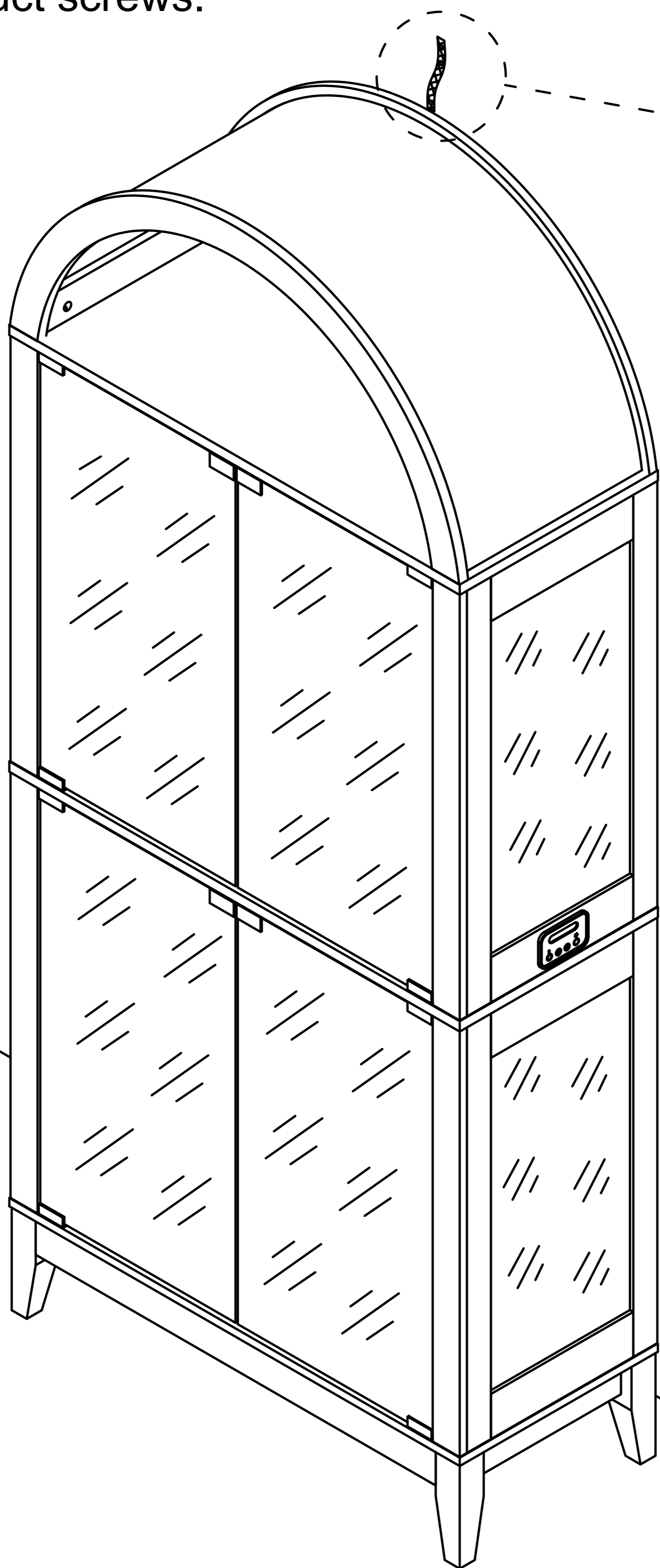
Use a tape drill to make holes in the wall that are suitable for the product screws.



Put the expansion bolt into the hole.

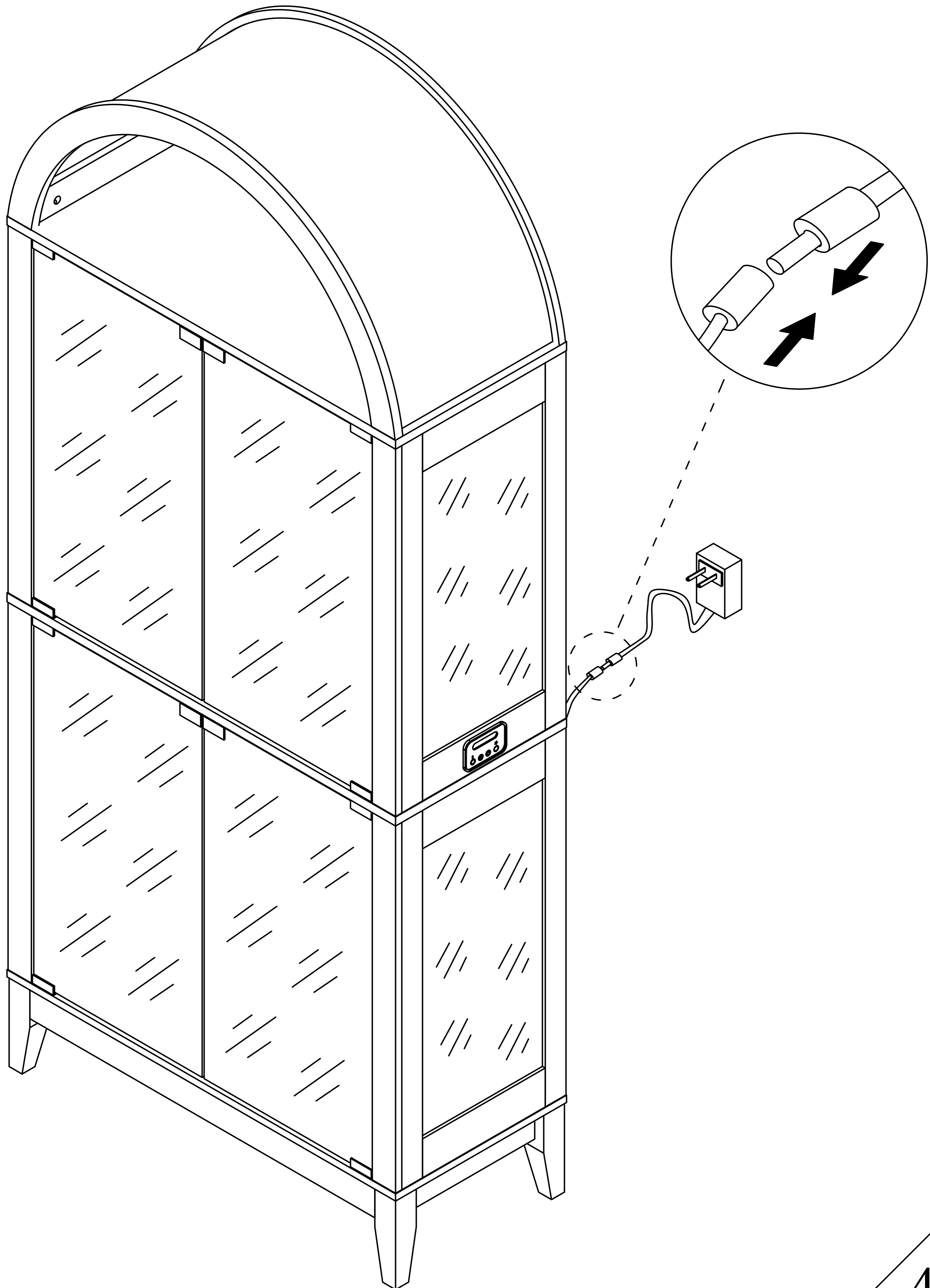
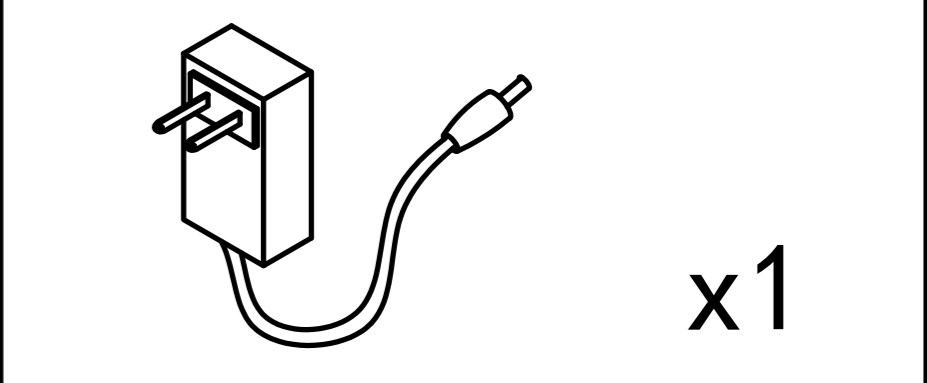
Pass the matching screws through the "anti-rewind" and tighten them to fix them on the wall.

wall



wall

Step 51



User's Guide

Thank you for purchasing this product.

To use this product, please plug it into a 12V DC power supply.

Please use if the product works normally after connecting to power.

Introduction

The box is an intelligent controller. With 5 touch buttons, it can turn ON/OFF the light and turn ON/OFF the induction function, change light colors, and adjust the light luminance.



Operation



This touch button is the master switch of the smart box,

which can turn off all functions of the box and control the light strips on/off operation.

The operation that can be turned on and off with just a light tap. Press and hold to adjust the brightness.

Upon first power-up, the default light will be set to white.



This touch button is used to turn on/off the induction function.

A. touch this button once to turn on the induction function (indicator light on).

After the person leaves or remains stationary for more than 30 seconds, the light strip goes out; people and objects within a range of 1 meters move will light up the light strip.

B. Long press this button for 0.5 seconds to turn off the human body induction function (the indicator light goes out).

At this point, Keep the light strip as it was before turning off and no longer be affected by human and object activities.

By default, induction function is enabled when powered on.



This touch button is the Dynamic Phantom Color Mode, which includes 5 magical lighting effects.

Simply tap to cycle through the options. (Attention: This mode cannot adjust the brightness)



This touch button controls the single-color switching function of the light strips,

offering 7 different colors to choose from.



This area controls the color switching function.

You can tap or slide to any color bar position to change the color.

Color Palette



Induction Button

Phantom Color Mode Button

Master Switch Button

7-Color Mode Button



ATTENTION PLEASE

1. If there is no touch response suddenly, Re-plug the power to reset the touch static electricity.
2. If bubbles appear on the panel, remove the protective film.
3. If you have any questions when installing, please feel free to contact us. Thank you.



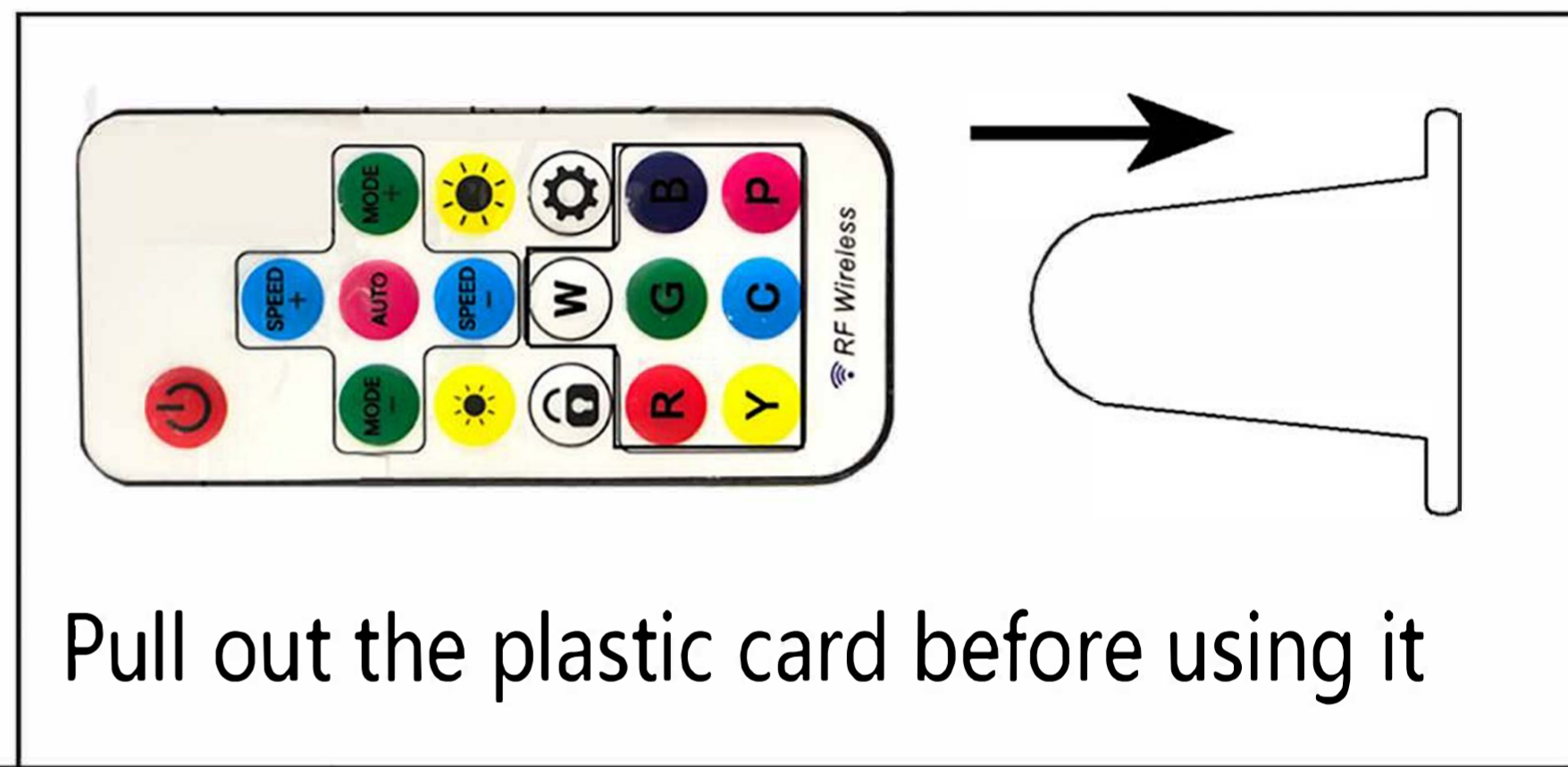
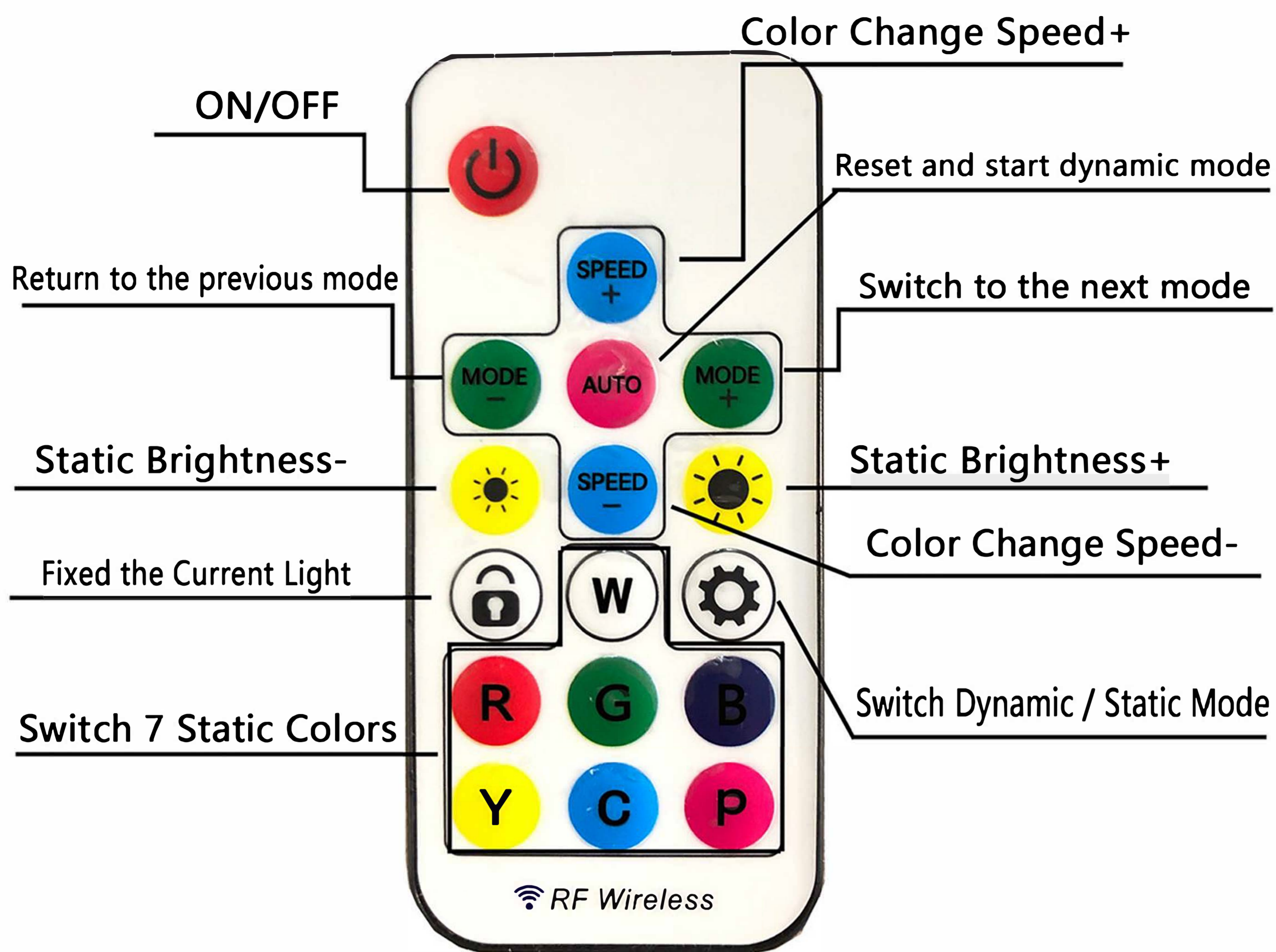
1. ON/OFF



2. Static Light Mode
(Long press to adjust brightness)



3. Dynamic Mode
(Long press to adjust)



LED Lights Controller-use instructions

Remote Battery: CR205 3V

How to use the controller?

1. After inserting the DC power adapter, you can use the remote control to control the lights. Press The "on /off" key to turn on the light and it will enter the static light mode.
2. There are 7 RGB Dynamic Modes. You can press the "MODE+/-" key to choose dynamic colors that you preferred and press the "Speed+/-" key to adjust color change speed.
3. There are 7 static colors: White / Red / Green/ Blue / yellow / ice blue/ pink light. You can press the "Brightness +/-" key to adjust the brightness.
4. You can press the "lock" key to fix the color you like. When you press the "Switch Dynamic /Static Mode" ket, the light will change between dynamic mode and static mode.