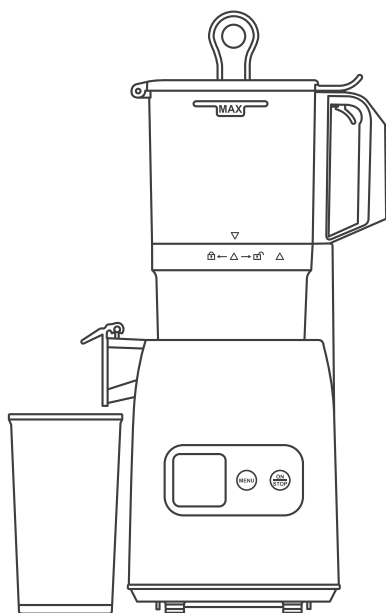


LARGE FEED CHUTE SLOW JUICER

Instruction Manual



MODEL NO.: HGM-920B

ITEM NO.: 27220KJU0

Dear user, thank you for using our large feed chute slow juicer. In order to facilitate your correct operation of this product, please read this manual carefully before use. Please read Chapter 1 "Safety Precautions for Use" carefully and pay special attention to the black font in the instruction manual. (The technical specifications in this manual are subject to change without prior notice.)



Scan the QR code to watch
the product videos



Web: www.electacticshop.com



Email: service@electacticshop.com

CONTENT

Chapter 1	Safety Precautions for Use	1
Chapter 2	Component Name	3
Chapter 3	Function Description	4
Chapter 4	Technical Parameter	4
Chapter 5	Reminder Before Use	5
Chapter 6	Product Usage	5
Chapter 7	Cleaning and Maintenance	8
Chapter 8	Fault Analysis and Troubleshooting	9

Preface

Thank you for using our company's large-diameter juicer. In order for you to use and maintain this product correctly, we have specially written this manual. Please read this manual carefully before using the product and keep it properly for future reference.

This manual is only applicable to our company and we reserve the right of final interpretation. All content in the book is for reference only when used and maintained by users. For any matters not covered, users are welcome to consult our customer service department. We welcome valuable feedback from users regarding the shortcomings of this book. We hope that our products will bring warmth, convenience, and health to your life.

Chapter 1 Safety Precautions for Use

IMPORTANT SAFE GUARDS

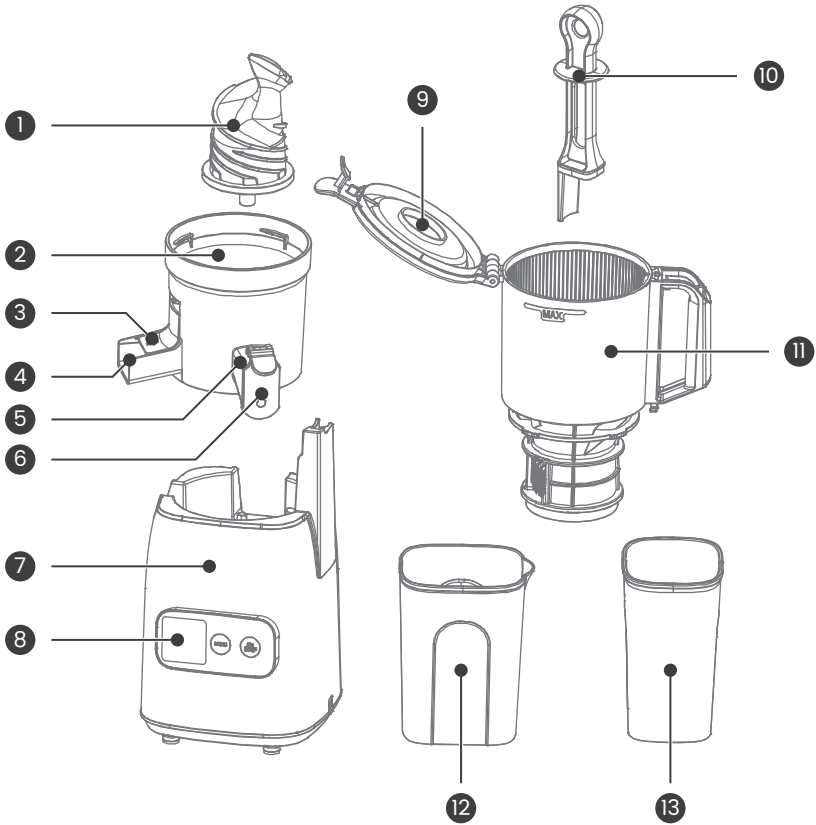
1. NOT FOR USE BY CHILDREN! Keep out of the reach of children to avoid injury.
2. Be sure to turn to OFF position after each use of your juicer.
3. Make sure the lid is attached properly and securely locked before operating the juicer.
4. Do not unfasten the locking bar during operation.
5. To avoid risk of injury, keep hands and utensils out of the juicer and away from its sharp blade during operation.
6. Do not put your fingers or other objects into the juicer opening while it is in operation. If food becomes lodged in opening, use food pusher or another piece of fruit or vegetable to push it down.
7. When this method is not possible, turn the motor off and disassemble juicer to remove the remaining food.
8. Portable - Turn the appliance OFF, then unplug from the outlet when not in use, before assembling or disassembling parts and before cleaning. To unplug, grasp the plug and pull from the outlet. Never pull from the power cord.
9. Permanently Installed - Make sure appliance is OFF when not in use, before putting on or taking off parts, and before cleaning.
10. Avoid contacting moving parts. Do not attempt to defeat any safety interlock mechanisms.
11. Never feed food by hand. Always use food pusher.
12. Contact the manufacturer at their customer service telephone number for information on examination, repair, or adjustment.
13. Always make sure juicer cover is clamped securely in place before motor is turned on.
14. Do not unfasten clamps while juicer is in operation.
15. Be sure to turn switch to OFF position after each use of your juicer. Make sure the motor stops completely before disassembling.
16. Should food become lodged in the opening use pusher to push it down. If food remains stuck, turn the power off, wait until motor stops, unit shuts down completely, and is unplugged before disassembling the juicer and removing the blocked food.
17. Make sure the motor stops completely and the unit is unplugged from the electrical outlet before cleaning, putting on or removing parts.
18. To protect against risk of electrical shock or injury, never immerse power cord, plug main unit into water, or other liquids.
19. Do not operate without the pulp container in place.

Chapter 1 Safety Precautions for Use

20. Close supervision is necessary when any appliance is used by or near children.
21. If juicer stops due to improper operation or if there is excessive noise. turn power of wait for blade to stop spinning, unplug from electrical outlet, disassemble and clean all components then reassemble machine.
22. Do not operate this or any appliance with a damaged cord or plug.
23. Do not use outdoors.
24. Do not operate if appliance malfunctions, is dropped or damaged in any manner.
25. Let a qualified appliance repair person examine and repair appliance before using.
26. Do not let power cord hang over the edge of table, counter, or let cord touch hot surfaces such as stoves.
27. Do not use the appliance if the rotating sieve or the protecting cover is damaged.
28. To reduce the risk of injury. never place blade on base without properly assembling the unit.
29. This appliance has a polarized plug(one blade is wider than the other).
30. To reduce the risk of electric shock, this plug will fit in a polarized outlet only one way. If the plug does not fit fully in the outlet, reverse the plug. If it still does not fit, contact qualified electrician. Do not modify or force the plug in any way.
31. The motor will not run if unit is not properly assembled.
32. This appliance is not intended for use by persons(including children with reduced physical sensory or mental capabilities, or lack of experience and knowledge, unless they have been given supervision or instruction concerning use of the appliance by a person responsible for their safety.)
33. Children should be supervised to ensure that they do not play with the appliance .
34. The use of attachments not recommended or sold by the manufacturer may cause fire, electric shock or injury.
35. Do not use appliance for other than intended use.

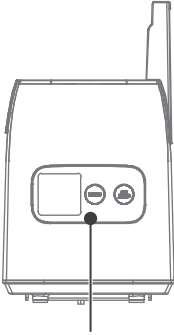
SAVE THESE INSTRUCTIONS

Chapter 2 Component Name

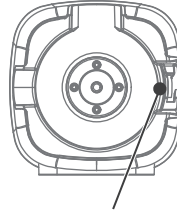


- | | | | |
|---------------|-------------------|------------------|-----------------------|
| ① Squeezer | ② Juice container | ③ Residue Outlet | ④ Residues spout |
| ⑤ Juice spout | ⑥ Silicone Outlet | ⑦ Main unit | ⑧ Touch control panel |
| ⑨ Cover | ⑩ Pusher | ⑪ Food container | ⑫ Large cup |
| ⑬ Small cup | | | |

Chapter 3 Function Description



Touch control panel



Safety switch

- **ON/STOP:** Start/Stop function.
- **MENU:** Cycles through available function options.
- **SOFT FRUIT:** Low-speed mode for soft fruits such as watermelon and grapes.
- **HARD FRUIT:** High-speed mode for hard-textured produce such as carrots, apples, celery, ginger and so on.
- **REV:** Reverse mode; use when a jam occurs or when the squeezer is difficult to remove.
- **MIX JUICE:** Mix juice mode; add fresh fruits and vegetables to create blended juices, such as Apple + Carrot or Orange + Celery + Ginger, etc.

The safety protection function can only work normally when the juice container and container top rod are aligned, and products that are not aligned cannot work.

Chapter 4 Technical Parameter

Product Name Large feeding chute slow juicer

Product Model HGM-920B

Rated Frequency 60Hz

Rated Voltage 120V~

Rated Power 300W

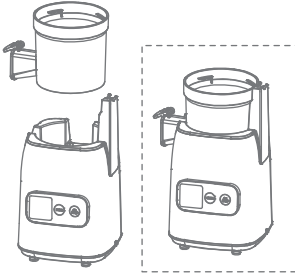
Chapter 5 Reminder Before Use

CAUTIONS	REASONS
Prohibition of squeezing ice cubes.	Ice cubes are relatively hard, which can easily cause damage to the juicing components.
For high-fiber foods, please cut into cubes no larger than 8x8 cm before processing.	Fibers that are too long are prone to entanglement and difficult to feed, resulting in inability to extract juice or damage to juice extraction components.
Fruits with hard pits must be pitted before use.	Hard pits can easily cause damage to the juicing components.
It is prohibited to use any items other than the provided pusher to push food ingredients.	If other items are used to push ingredients, it may cause damage to the machine.
The continuous juicing time cannot exceed 10 minutes.	Exceeding the juice extraction time can cause the motor to heat up and be easily damaged.
Please do not insert spoons, chopsticks, etc. into the feeding port, juice outlet, or residue outlet.	It will cause damage to the machine.

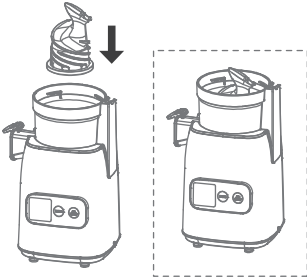
Chapter 6 Product Usage

- Before using the product for the first time, please thoroughly clean the parts that come into contact with the ingredients (pay attention to the sharpness of the stirring blade).
- This product is equipped with a dual safety system, which will only work after all components are correctly installed.

Operation Instruction:

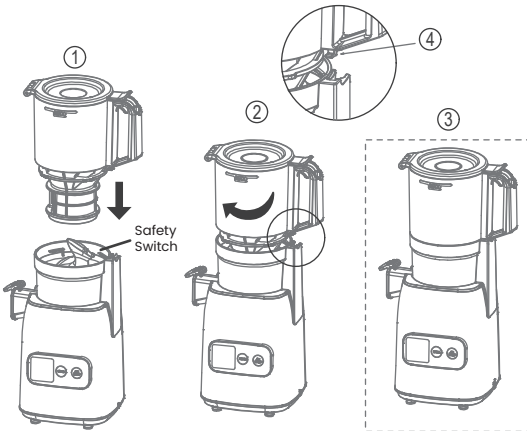


Place the juice container into the main unit in the direction indicated, ensuring that it is seated flat and aligned correctly as shown in the figure on the right.

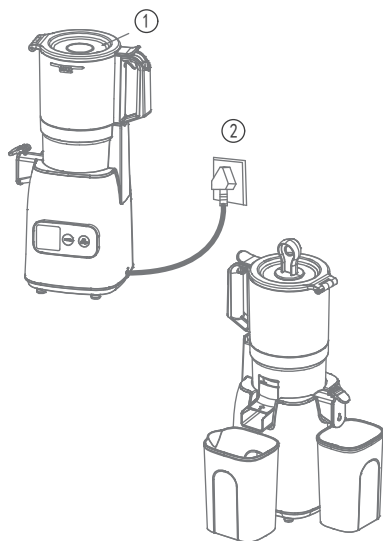


Insert the squeezer into the juice container in the direction indicated, making sure the central shaft is fully engaged with the drive shaft of the main unit, as illustrated within the dashed box on the right.

Note: The squeezer must be fully inserted onto the main shaft and pressed down completely. Otherwise, subsequent components cannot be installed properly.



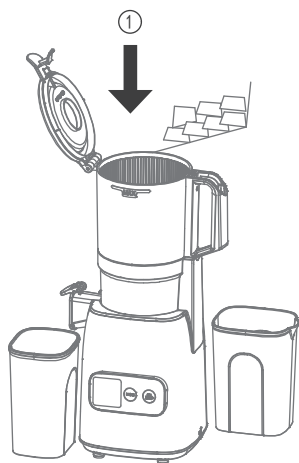
Align the food container with the squeezer and lower it in the direction indicated (Fig.1). While lowering the container, position the handle to the right of the safety switch (Fig.2). Then rotate the cover toward the safety switch (clockwise) until the latch snaps securely into the slot of the safety switch (Fig.4). The machine will operate only when the container is properly closed and locked.



- ① Close the cover;
- ② Plug in the power cord to supply electricity to the unit. Place large and small cups under the juice spout and residue spout respectively. Position them as close to the main unit as possible to prevent splashing or spillage.

Note:

1. The appliance will not operate unless the cover is properly closed.
2. Ensure the operating voltage matches the product's rated voltage specification.



Note:

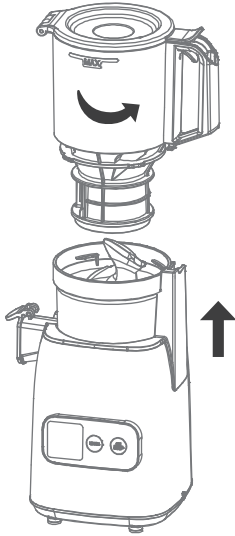
Before processing, cut ingredients into blocks no larger than 9x9 cm.

- ① Open the cover (the unit must not operate when open; if it does, the product is defective and must not be used). Place pre-cut ingredients into the food container.
- ② Close the cover, press the ON/STOP button, and select the desired function mode. The machine will start operating after 3 seconds. If a jam occurs during operation, press the ON/STOP button and select "REV" (reverse) mode to eject the obstructing material. Then select another mode to resume. Press the ON/STOP button again during operation to stop the machine manually. Juicing completes automatically.

Note:

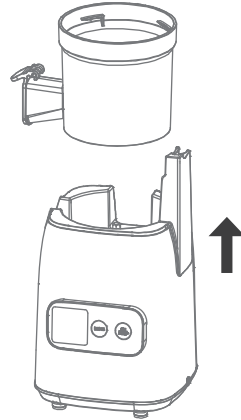
1. This product is not suitable for processing hard or high-fiber produce (e.g., sugarcane), or highly viscous fruits such as avocado, banana, fig, mango, papaya, dragon fruit, or bayberry, as they may clog the juice filter.
2. Add ingredients sequentially. Do not overload or feed too quickly to avoid jams.
3. During operation, ensure the juice outlet stopper is open.
4. Do not exceed the maximum continuous operating time of 10 minutes.

Chapter 7 Cleaning and Maintenance



Step 1:

Open the cover, unscrew the food container counterclockwise and remove it upwards.



Step 2:

Take out the entire juice container.

Note:

- Before cleaning, ensure the power is disconnected and the unit has come to a complete stop before disassembling.
- Clean the product promptly after use and wipe it dry.
- The main unit may be wiped with a damp cloth. The following components can be rinsed directly with water: food container, container cover, squeezer, juicing filter assembly, large cup, small cup, and pusher.
- Do not use steel wool, abrasive cleaners, or corrosive liquids to clean the product.
- Ensure all parts are clean and completely dry before storage.
- Store the product in a dry area away from direct sunlight.
- If the product will not be used for an extended period, store it in a dry, well-ventilated place to prevent moisture absorption and oxidation of components, which may affect performance.

Chapter 8 Fault Analysis and Troubleshooting

Fault phenomenon	Cause analysis	Troubleshooting
The running machine suddenly stops	<ol style="list-style-type: none"> 1. Overfeeding of fruits and vegetables at once leads to blockage. 2. Vegetables and fruits are not finely cut. 3. The machine itself is malfunctioning. 	<ol style="list-style-type: none"> 1. Choose the "reverse" mode to allow excess ingredients to be pushed back out. If the machine still cannot resume operation after 3 consecutive actions, please remove the blocked fruits and vegetables. 2. Cut the fruits and vegetables into slender strips and put them into the machine for juice extraction. 3. Send to local after-sales service for repair.
Juice flows out from the main unit	<ol style="list-style-type: none"> 1. The silicone on the central axis of the juice container, or the silicone outlets near the residue spout and on the juice spout, are either not installed in place. 2. The silicone outlets near the residue spout or on the juice spout are closed. 	<ol style="list-style-type: none"> 1. Re-assembly. 2. Open the silicone on the residue/- juice outlet correctly.
There is abnormal noise	<ol style="list-style-type: none"> 1. When juicing, the parts make a squeezing sound. 2. Machine malfunction. 	<ol style="list-style-type: none"> 1. The machine may make a sound of squeezing fruits and vegetables during operation, please feel free to use it. 2. Consult a professional maintenance personnel.
The food container and the juice container cannot be taken out	<ol style="list-style-type: none"> 1. Excessive residue in the juice container; 2. Confirm if there are any hard objects similar to fruit pits stuck in the juice container; 3. Too much residue is stuck in juicer filter, juice container, and food container. 	<p>Choose the "reverse" mode.</p> <ol style="list-style-type: none"> 1. to pour out the residue, hold the juicer and turn it left and right a few times to lift it up; 2. to return the hard object to the feeding port; 3. to remove the residue.
Dyeing of food contact parts after machine use	It is because fruits/vegetables have specific natural pigments.	This natural pigment is a normal phenomenon, please feel free to use it.

The above are common fault analysis and troubleshooting methods. For other faults, please contact our customer service department or go directly to the designated repair point for repair. Do not disassemble and repair them yourself.

CORRECT DISPOSAL



This marking indicates that this product should not be disposed with other household wastes. To prevent possible harm to the environment or human health from uncontrolled waste disposal, recycle it responsibly to promote the sustainable reuse of material resources. To return your used device, please use the return and collection systems or contact the retailer where the product was purchased, They can take this product for environmental safe recycling.

ROWAN ELECTRIC APPLIANCE LLC

**8:30am–5:30pm P.S.T.
Monday to Friday**



Web: www.electacticshop.com



Email: service@electacticshop.com