


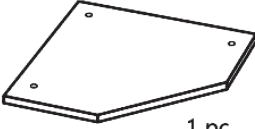
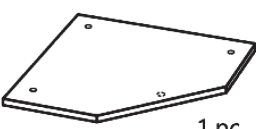
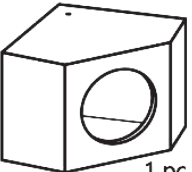
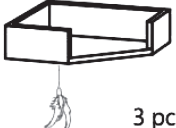

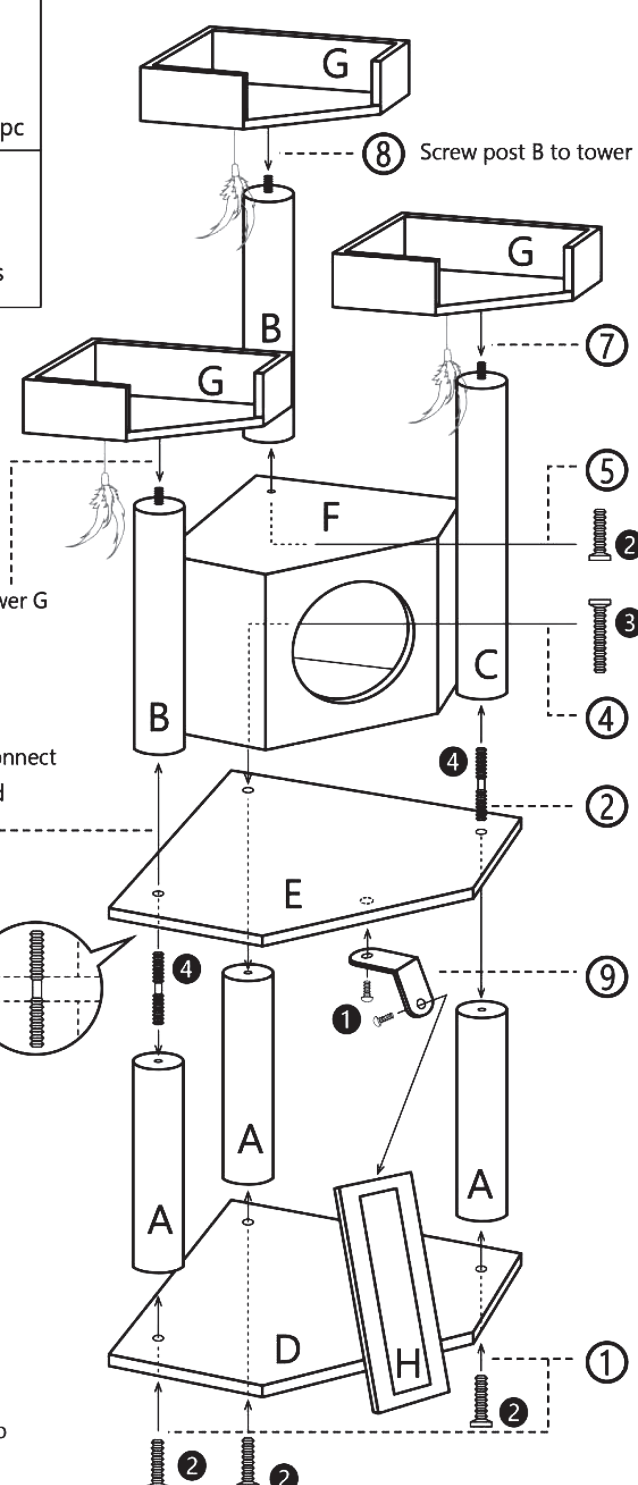




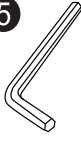


# Instructions

<b>A</b>  3 pcs	<b>B</b>  2 pcs	<b>C</b>  1 pc	<b>D</b>  1 pc	<b>E</b>  1 pc	<b>F</b>  1 pc			
<b>G</b>  3 pcs	<b>H</b>  1 pc							
<b>1</b>  1 set	<b>2</b>  4 pcs					<b>3</b>  1 pc	<b>4</b>  2 pcs	
<b>5</b>  1 pc	<b>6</b> Screw post B to tower G					<b>7</b> Screw post C to tower G	<b>8</b> Screw post B to tower G	<b>9</b> Use screw 1 to connect board E and H
<b>3</b> Use screw 4 to connect post B, board E and post A	<b>4</b> Use screw 3 to connect hut F, board E and post A					<b>5</b> Use screw 2 to connect post B and hut F	<b>2</b> Use screw 4 to connect post C, board E and post A	<b>1</b> Use screw 2 to connect post A and board D

**Caution:**  
Apply felt adhesives to prevent damage to hard floor surface.