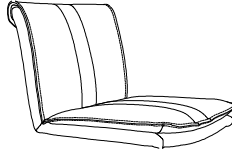
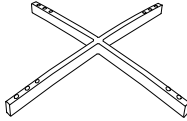
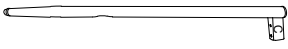
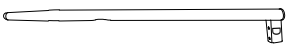
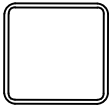


ASSEMBLY INSTRUCTION

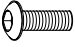
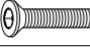


Counter chair



Component List

LABEL		DESCRIPTION	QTY
A		Seat	1
B		Connect	1
C		Front leg	2
D		Back leg	2
E		Foot rest	1

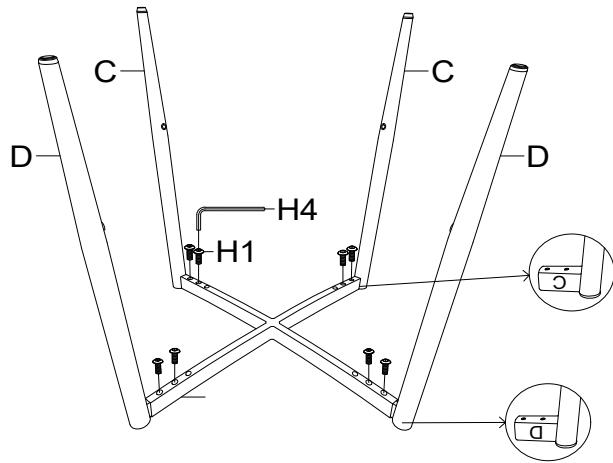
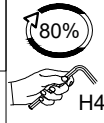
Hardware List

LABEL			QTY
H1		Bolts M6×16mm	8
H2		Bolts M6×25mm	4
H3		Bolts M6×45mm	4
H4		Allen key M6	1

1

H1×8pcs
M6×16MM

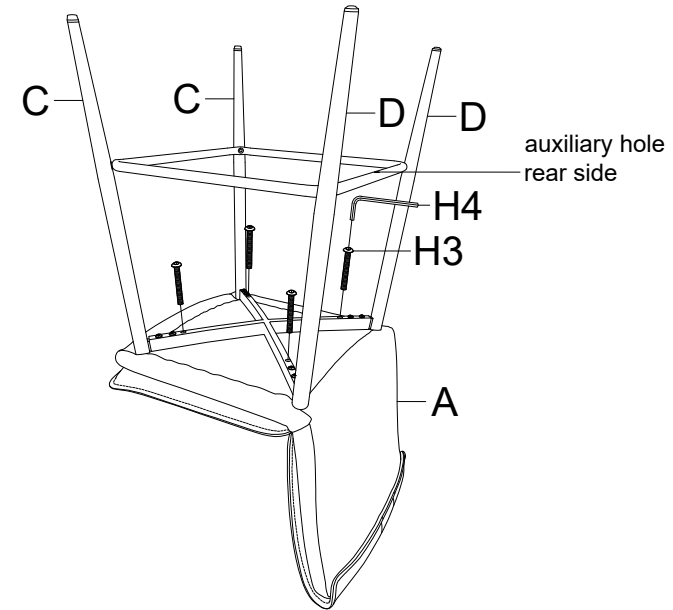
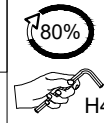
H4×1pc
M6



3

H3×4pcs
M6×45MM

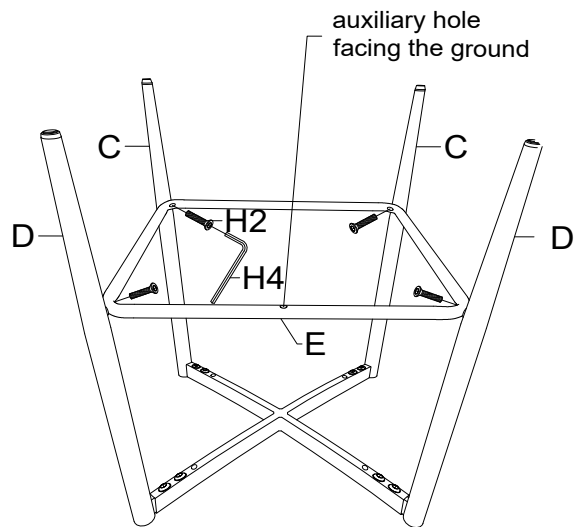
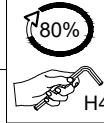
H4×1pc
M6



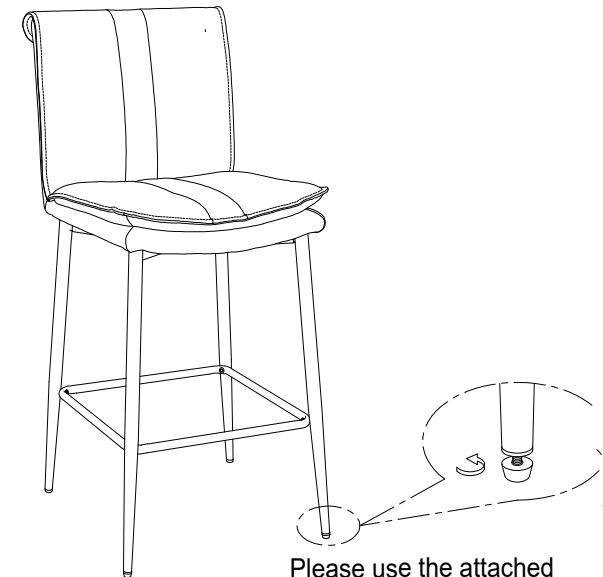
2

H2×4pcs
M6×25MM

H4×1pc
M6



4



Adjust the chair so that it is leveled, then fully tighten all the bolts.