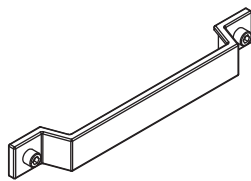
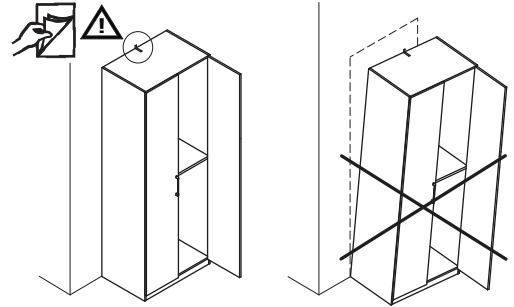
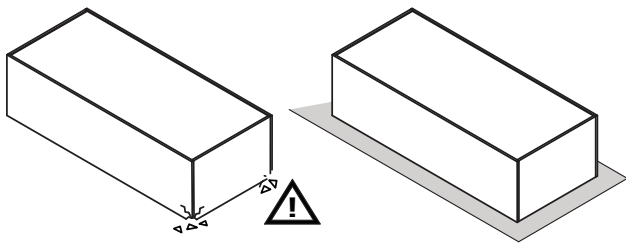
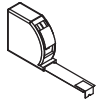
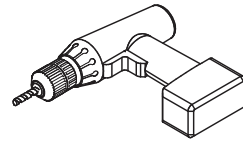
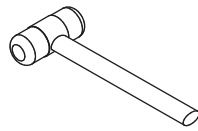
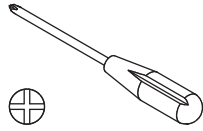
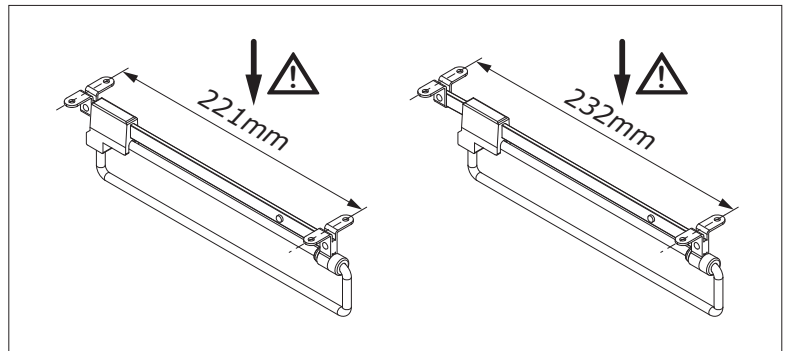


2h



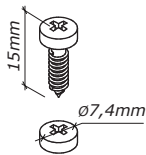
M214
x2



R55
x1



H54
x6



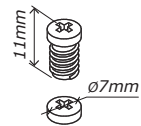
V81
x6



R40
x16



H15
x30



V19
x4



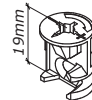
R5
x4



H113
x6



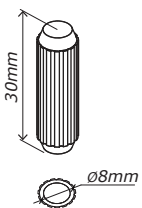
G156
x8



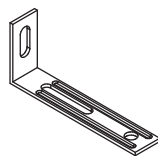
T97
x8



H139
x1



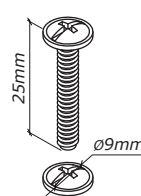
H1
x8



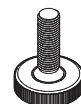
H185
x1



T28
x8



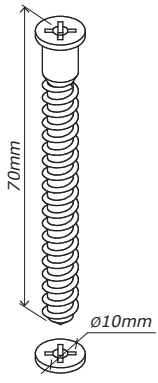
V137
x4



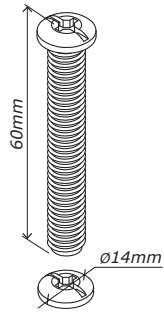
P14
x4



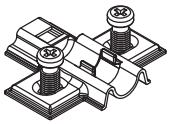
H129
x2



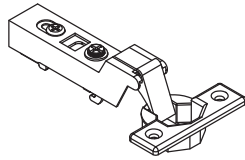
V115
x1



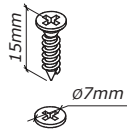
V152
x4



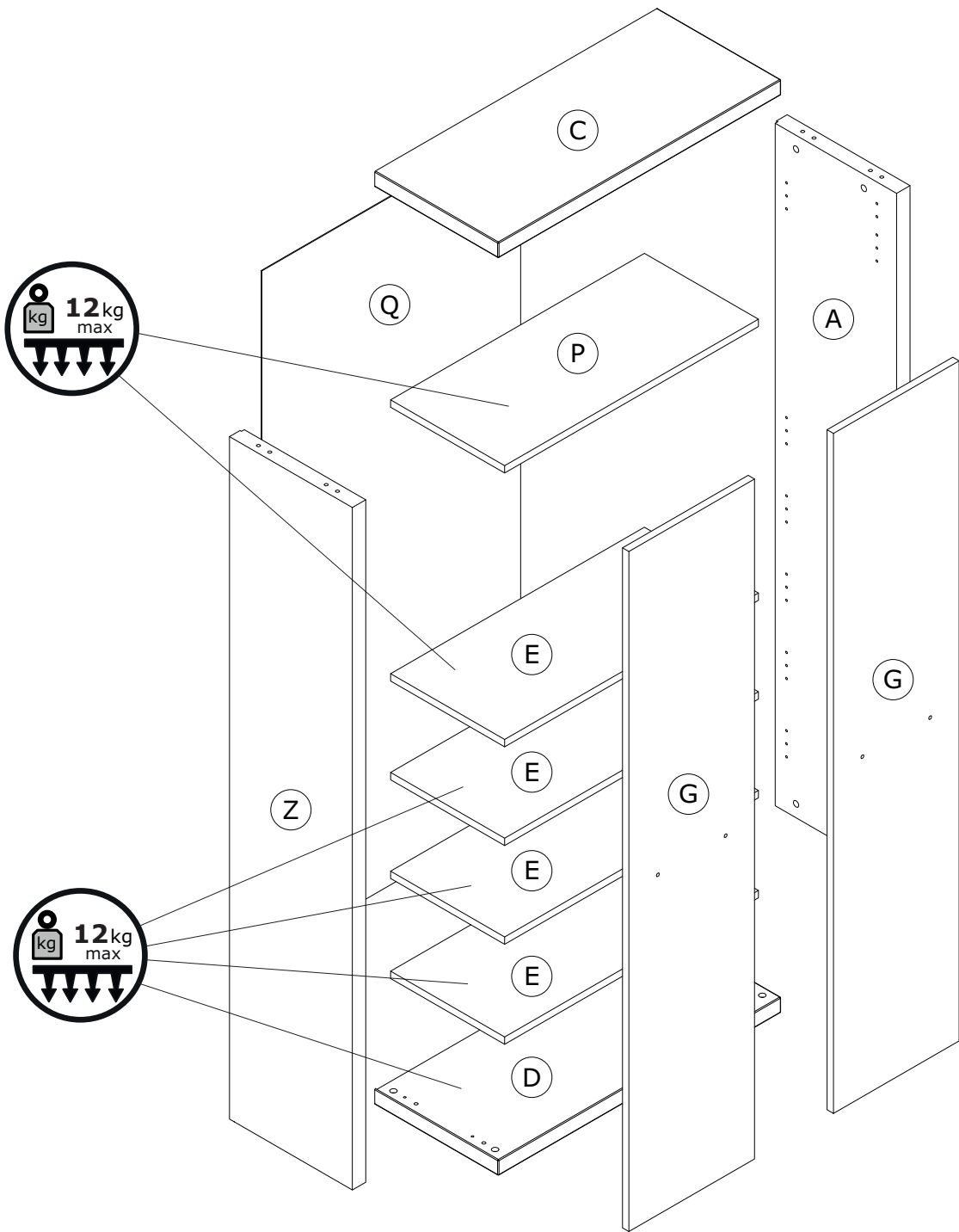
B28
x2

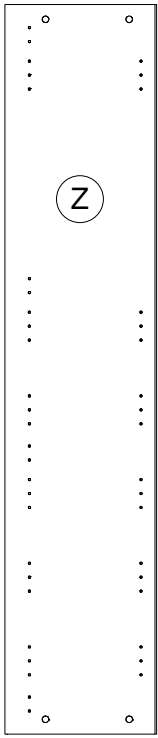


C77
x2

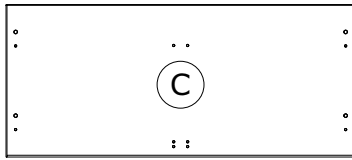


V5
x4

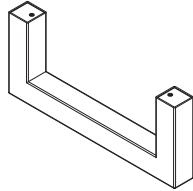




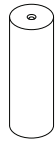
FI8608
1674x348x38mm



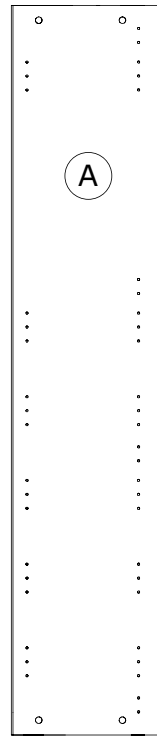
CA3544
801x350x38mm



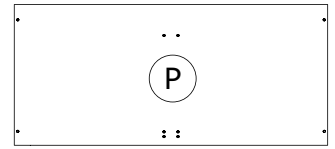
P72
x2



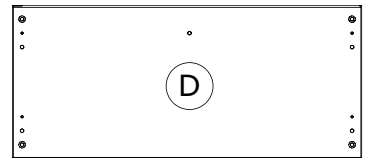
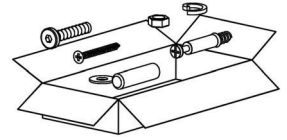
W577
H151mm
x1



FI8607
1674x348x38mm



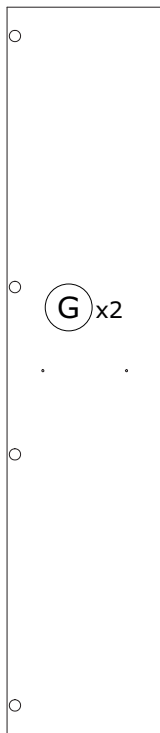
PI7092
719x323x18mm



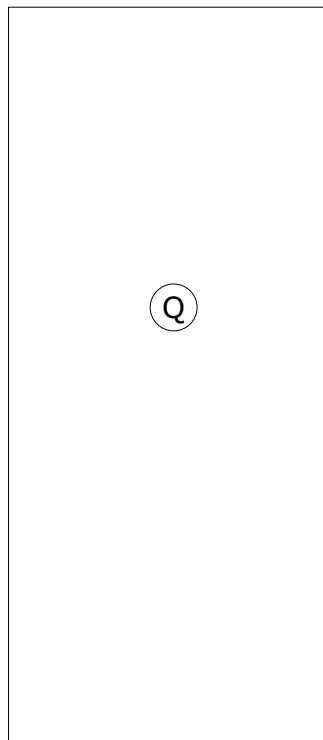
BA2162
801x350x38mm

BOX 1/3

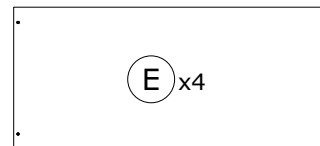
BOX 2/3



AN2966
1668x356x18mm



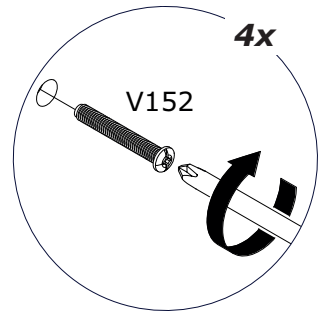
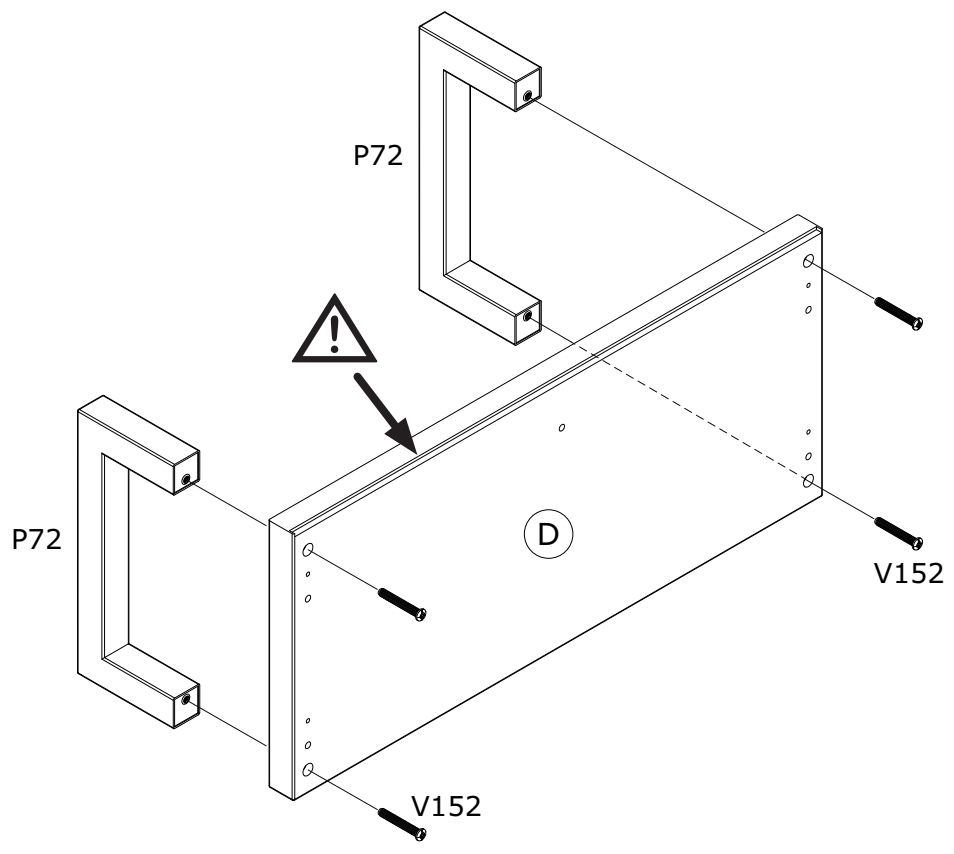
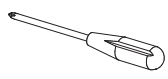
SH3303
1688x733x2mm



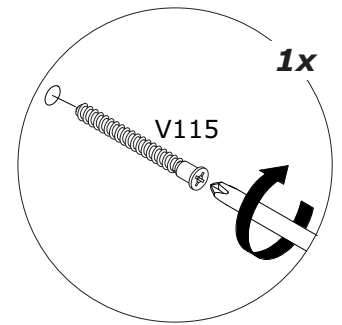
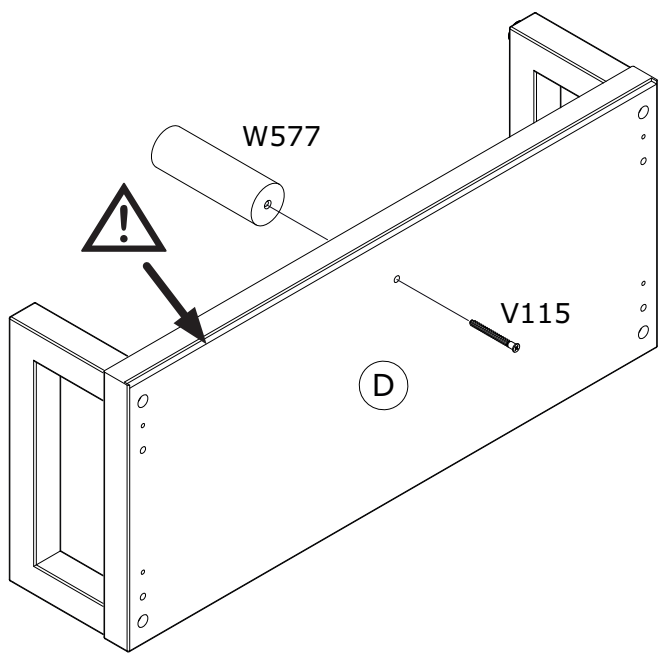
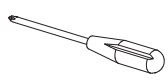
PI7093
719x323x18mm

BOX 3/3

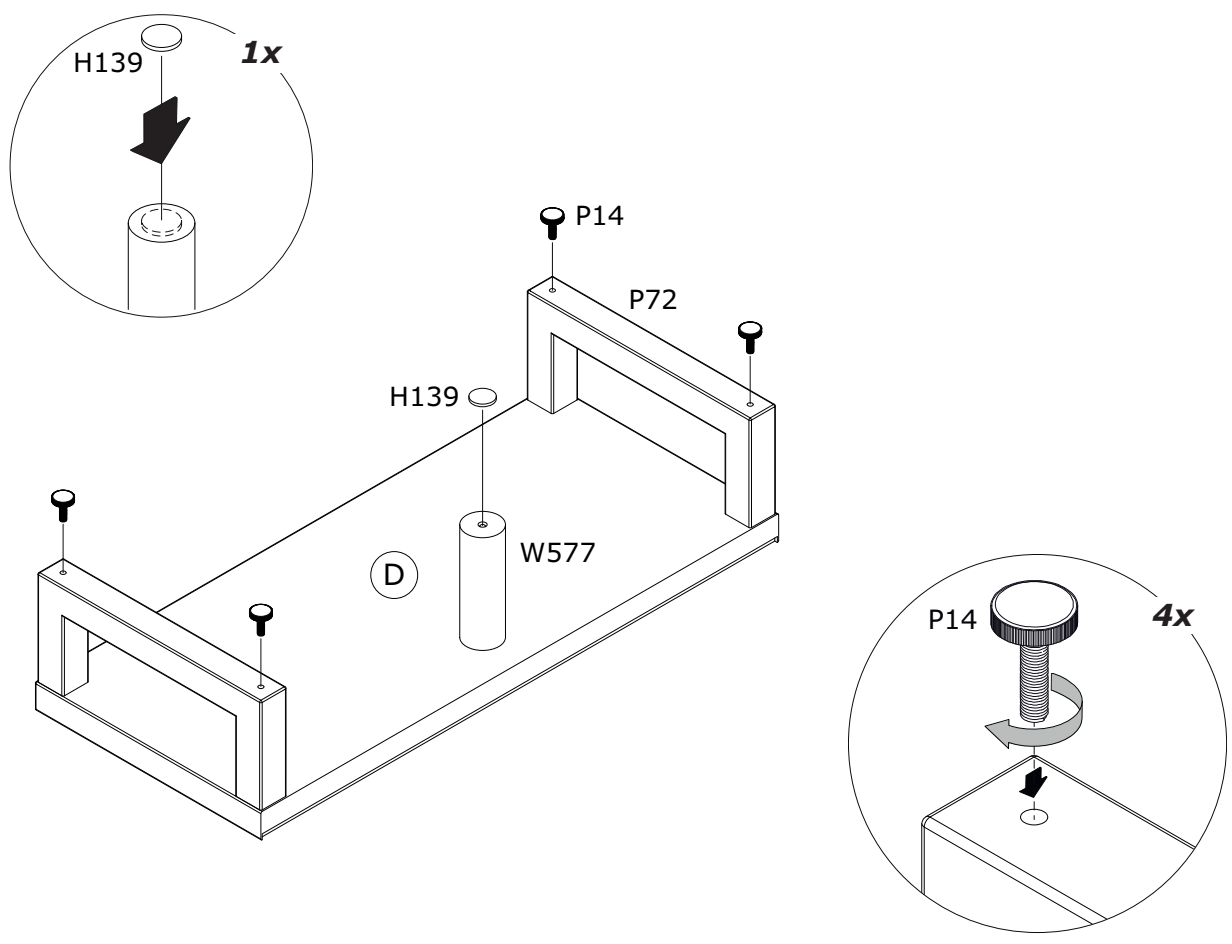
1



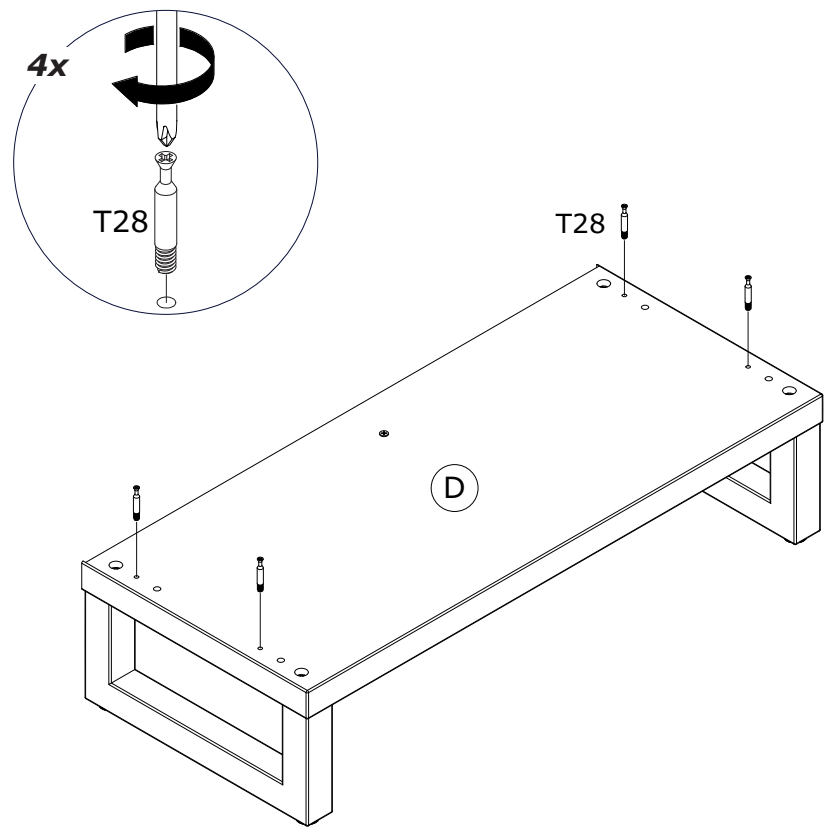
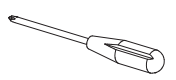
2



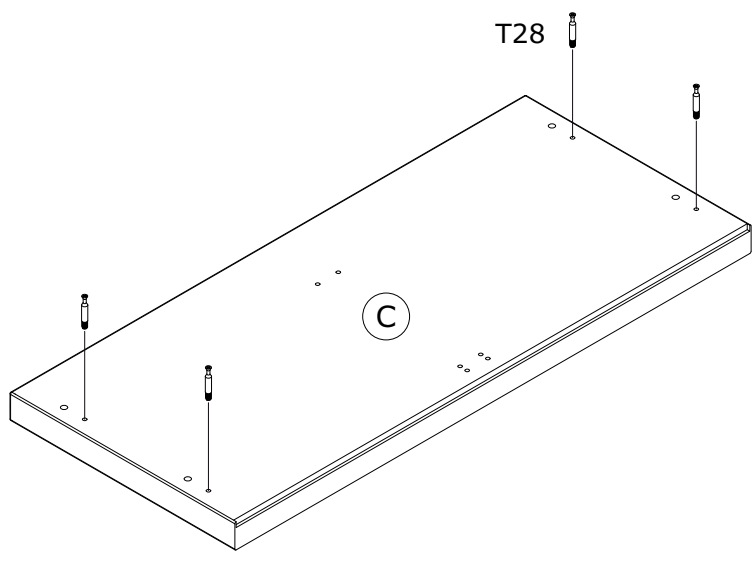
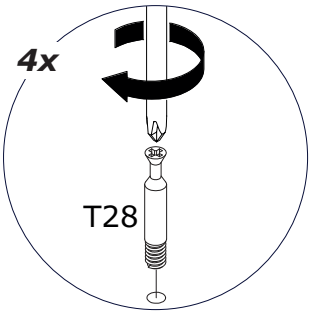
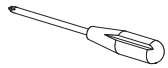
3



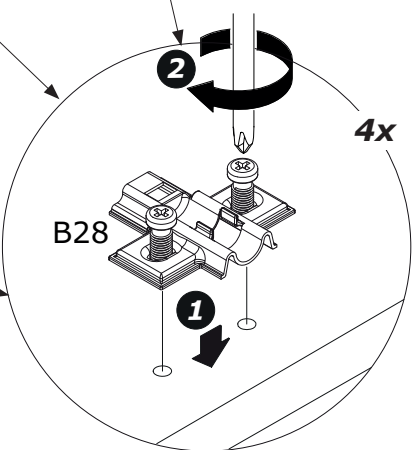
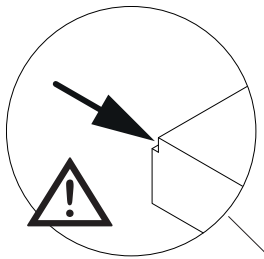
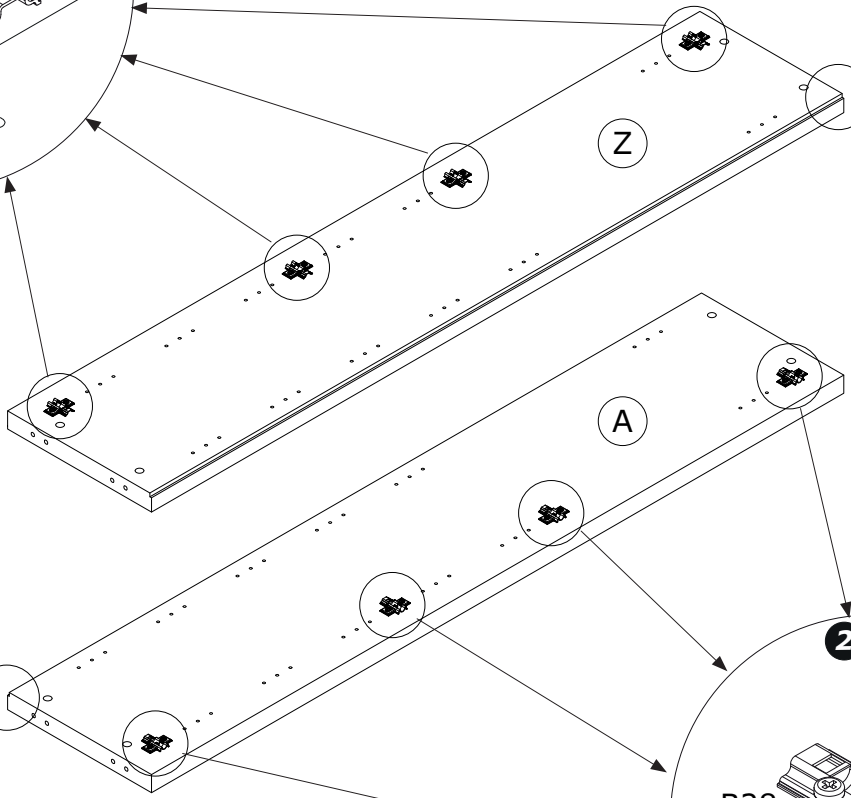
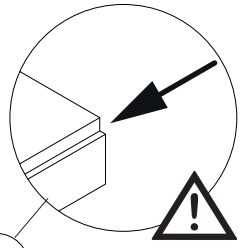
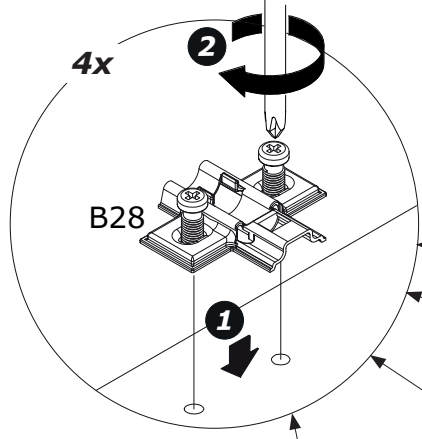
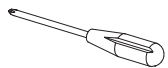
4



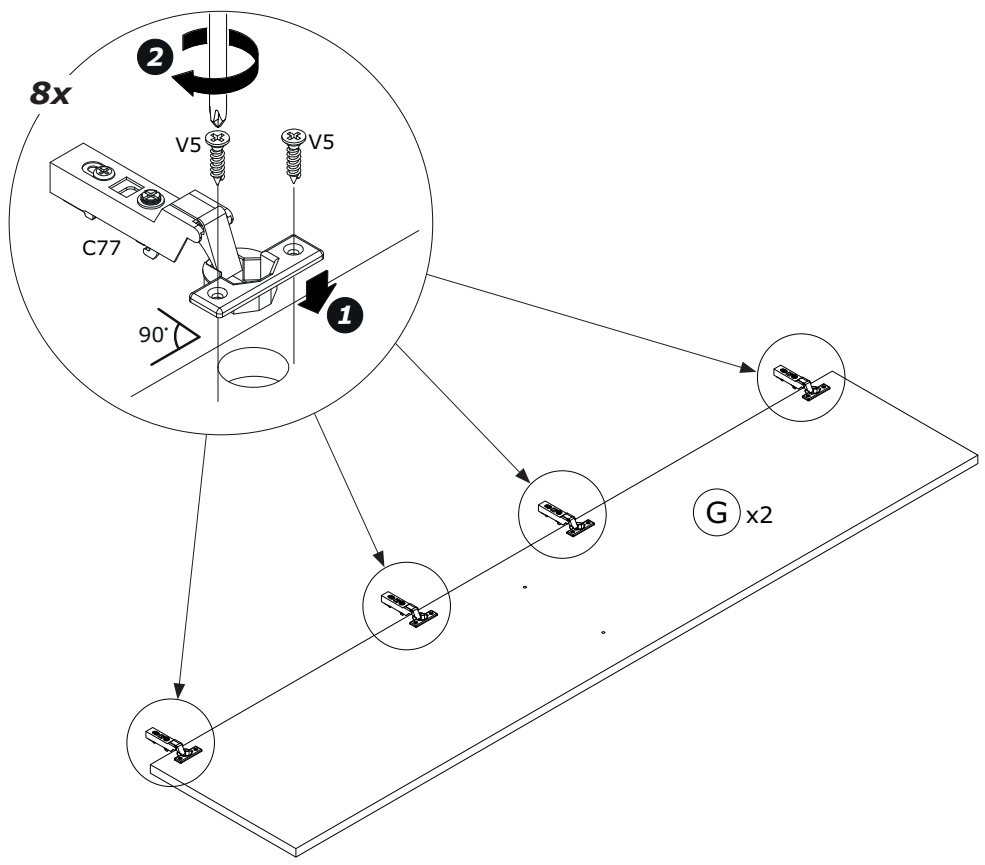
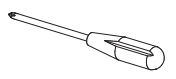
5



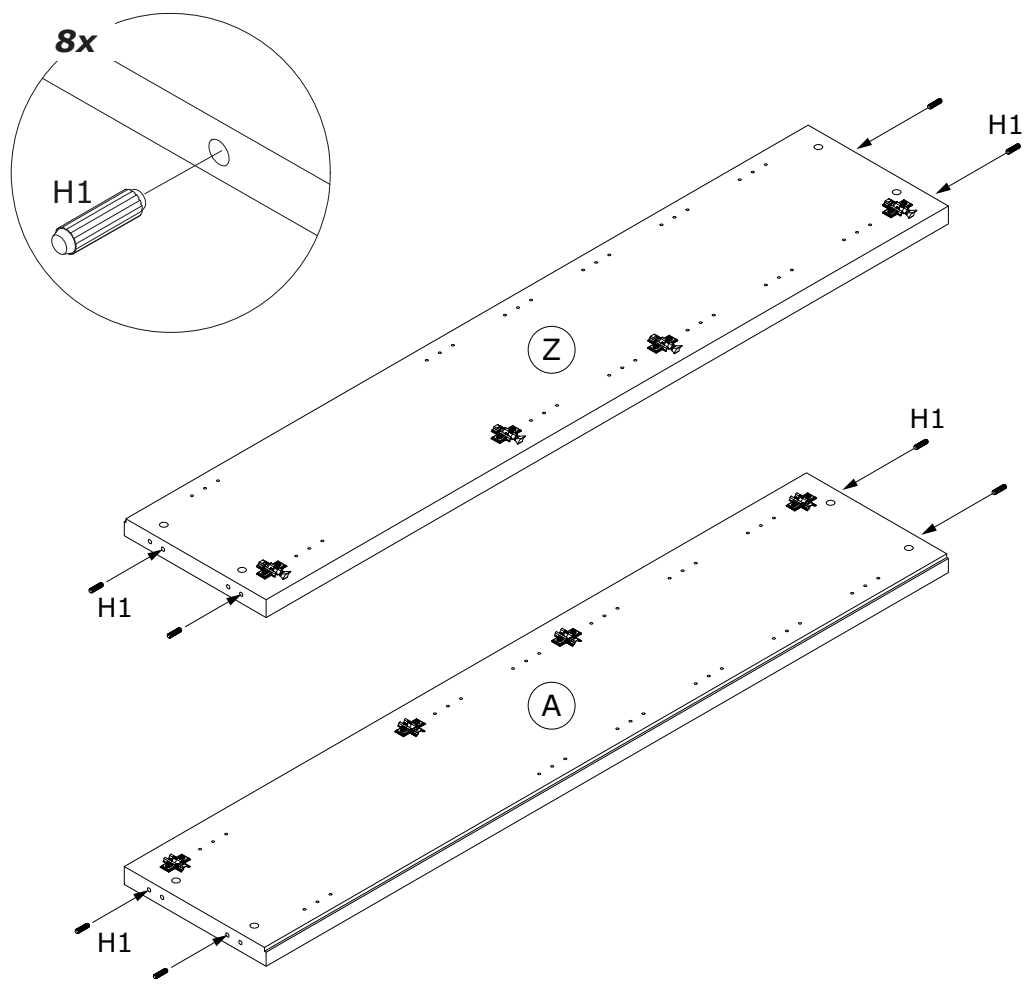
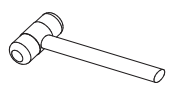
6



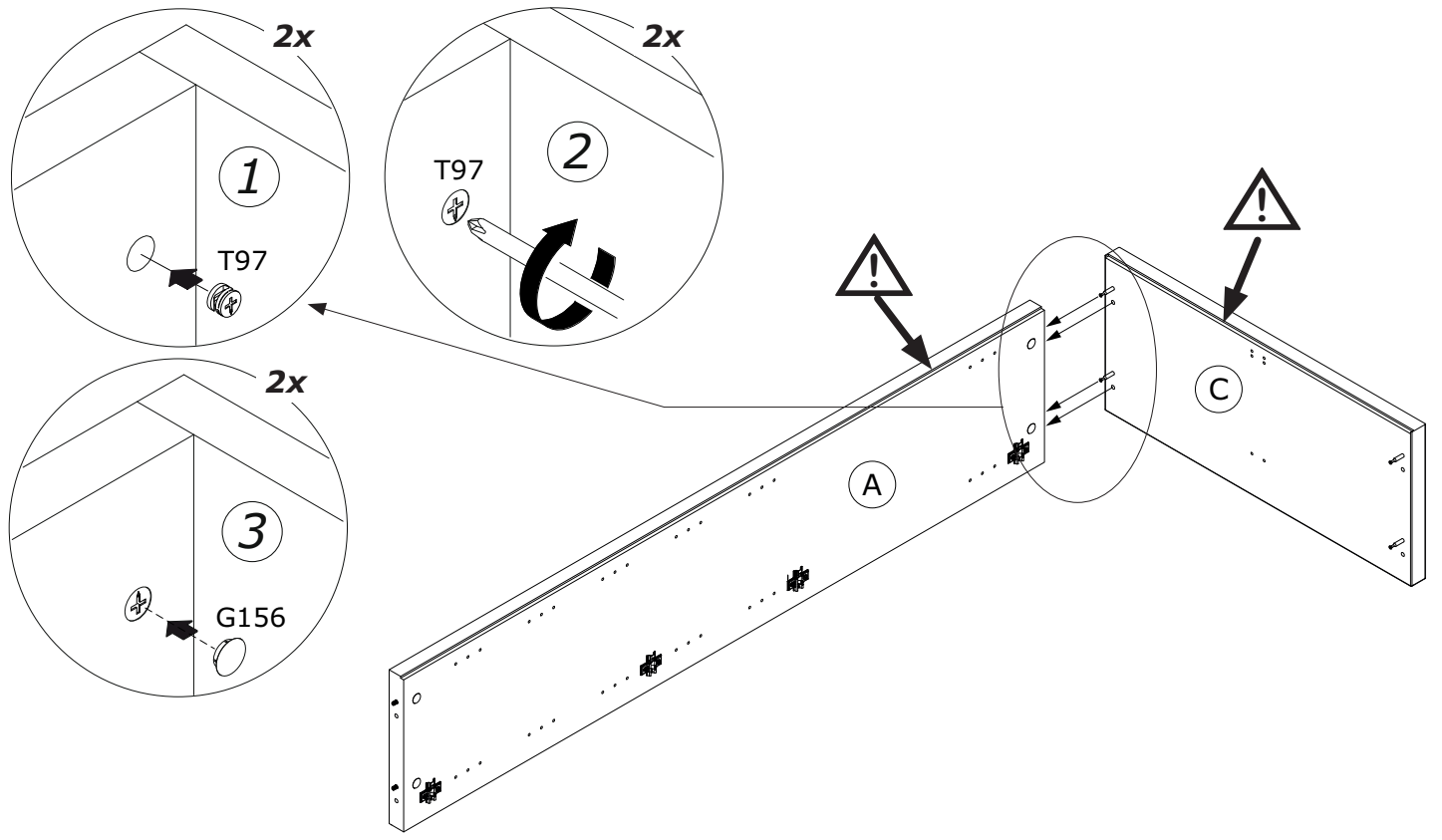
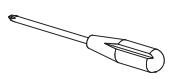
7



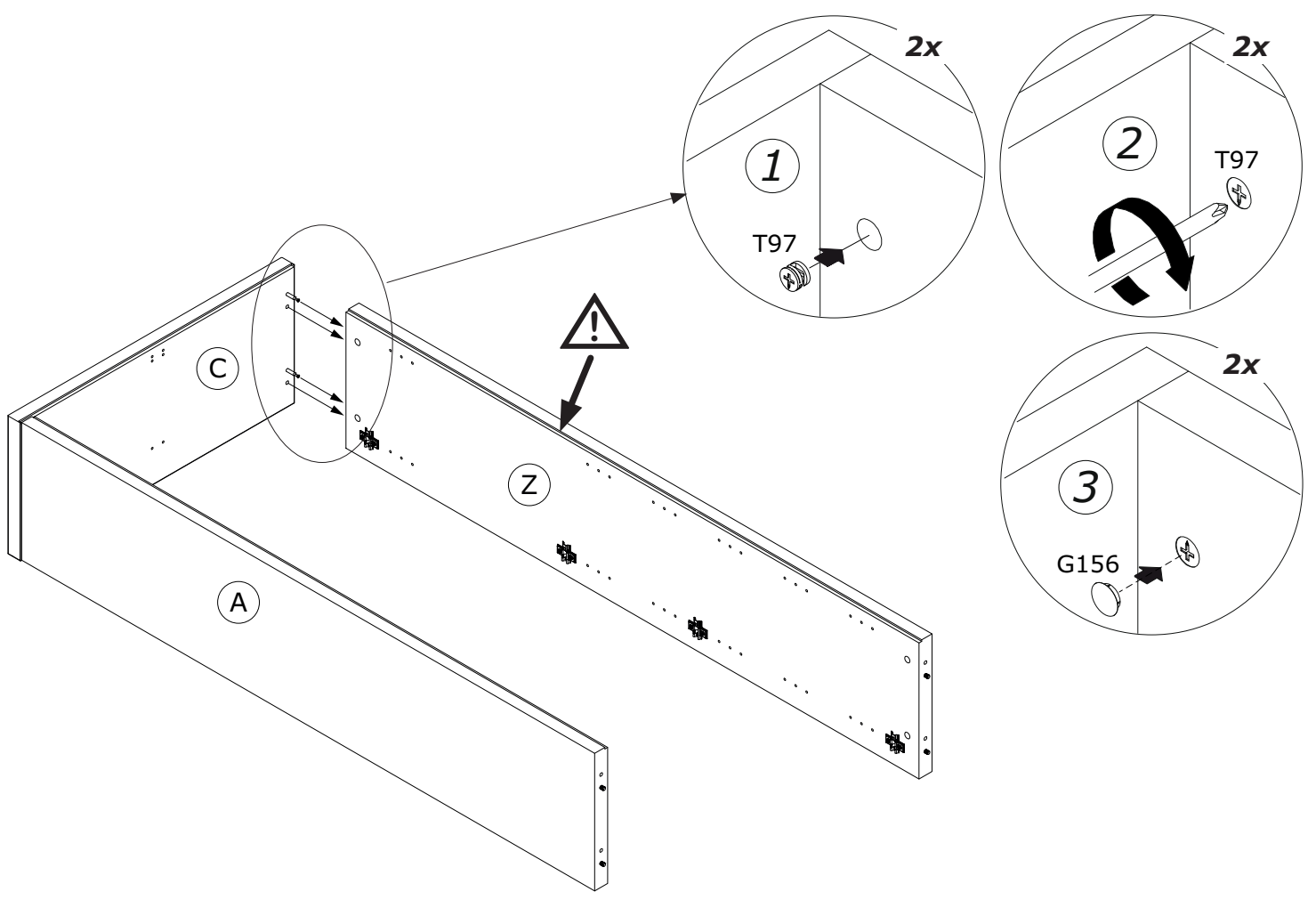
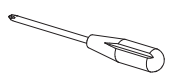
8

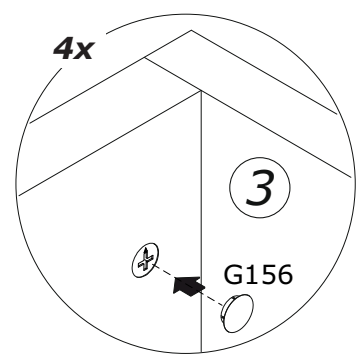
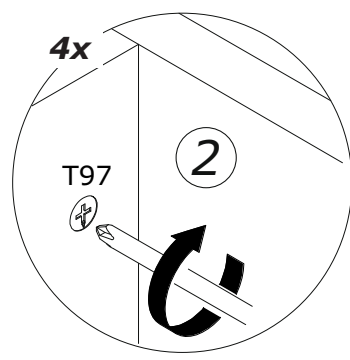
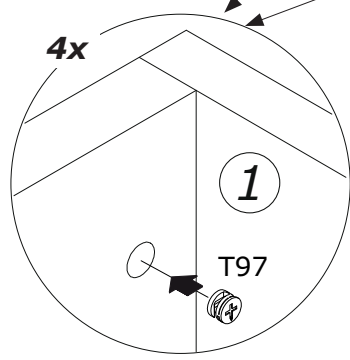
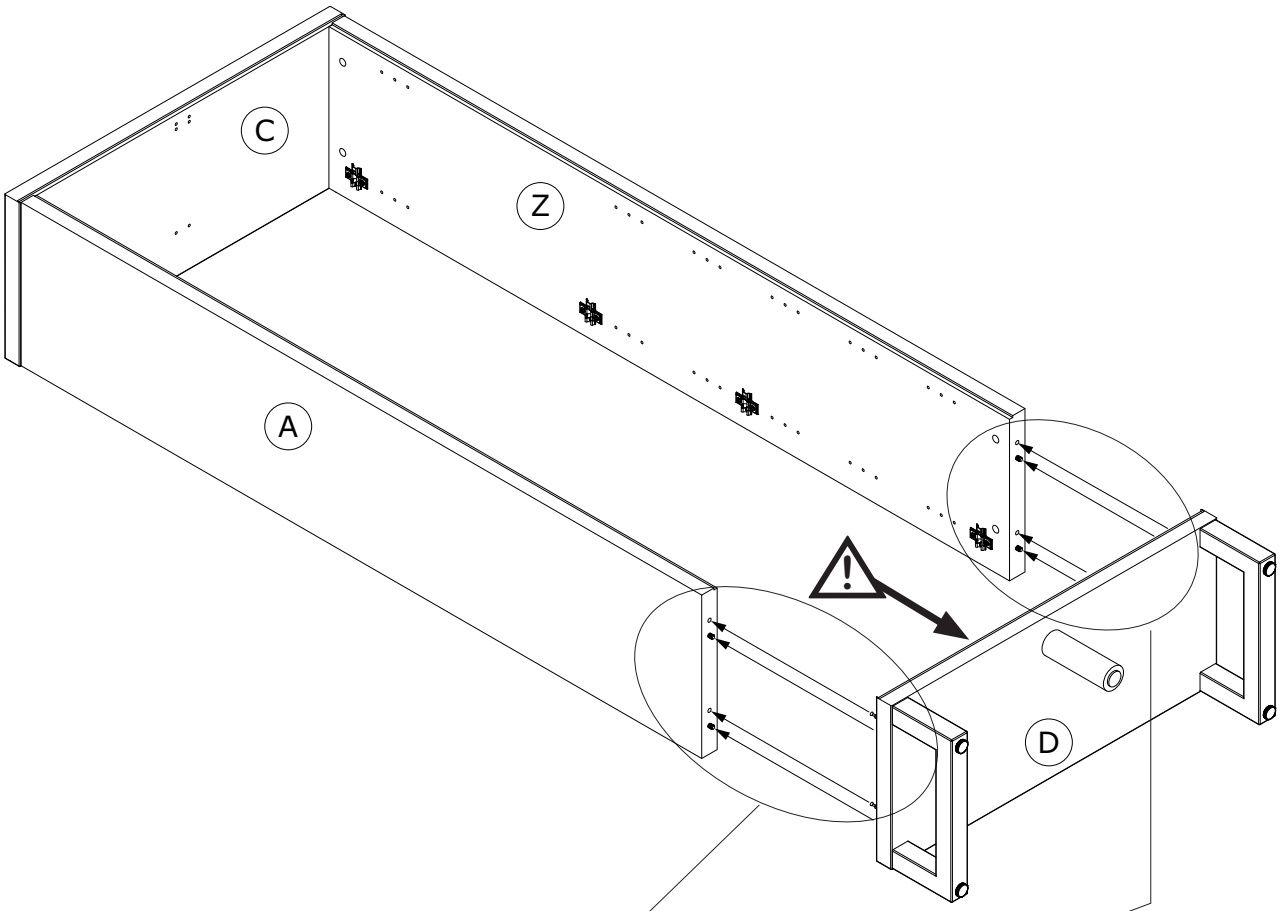
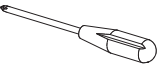


9

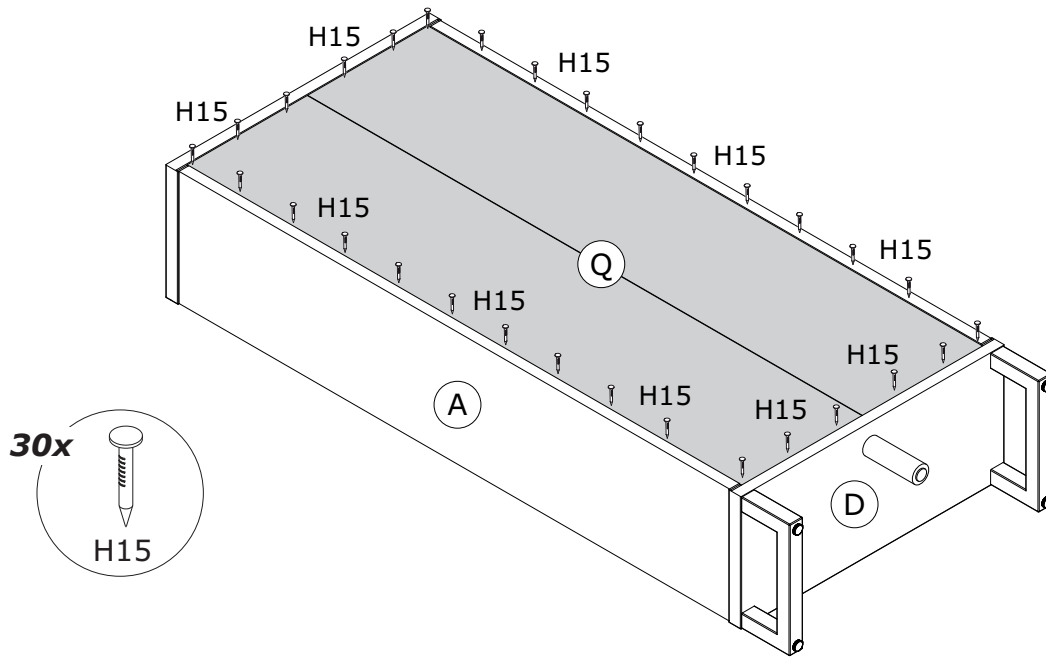
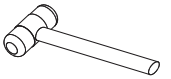


10





12



13

