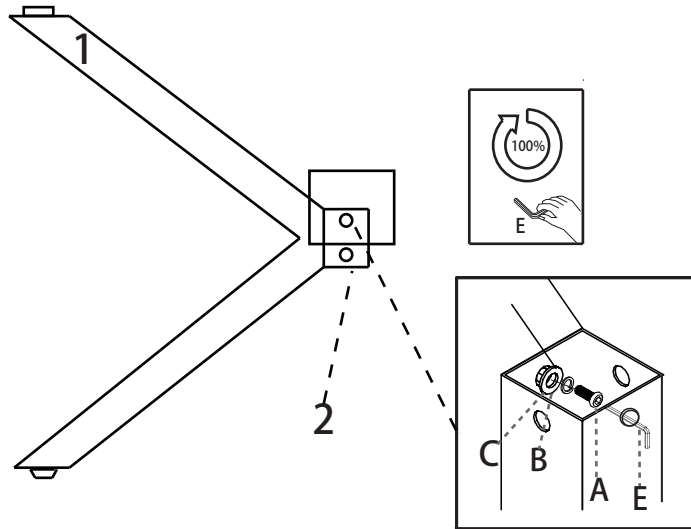
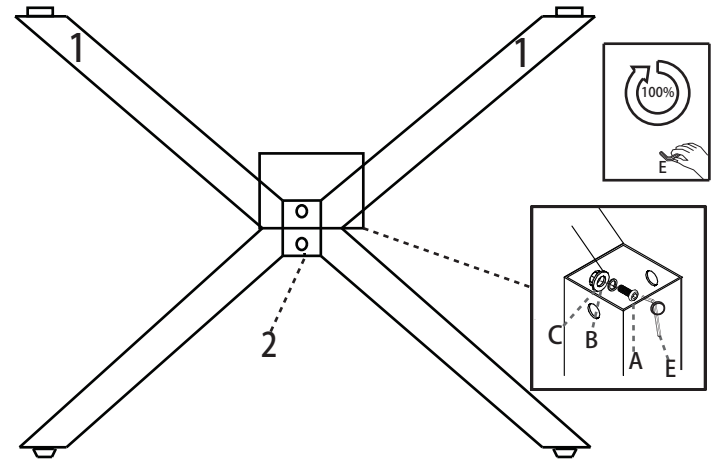


ASSEMBLY INSTRUCTION

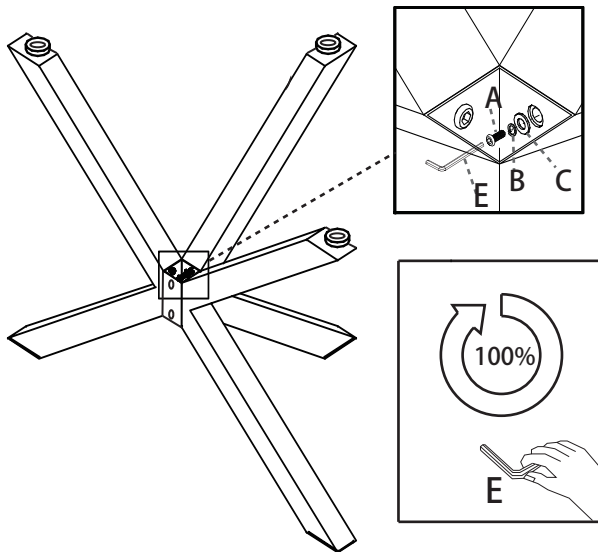
1



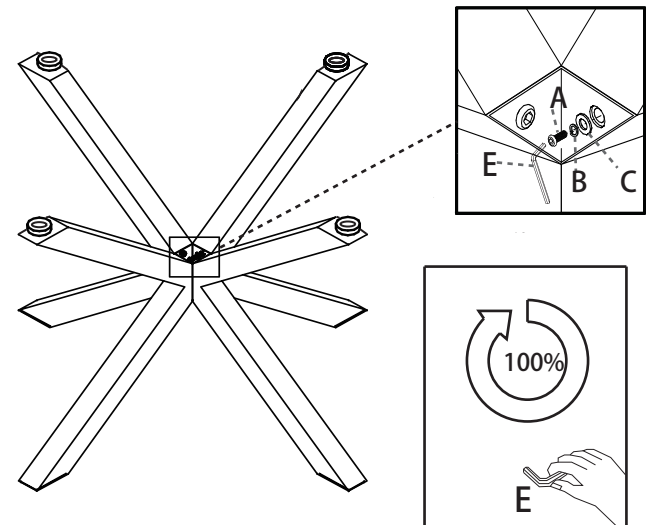
2



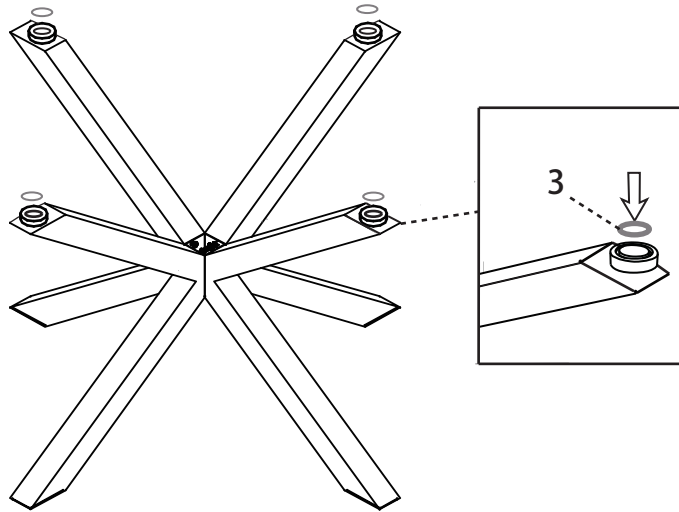
3



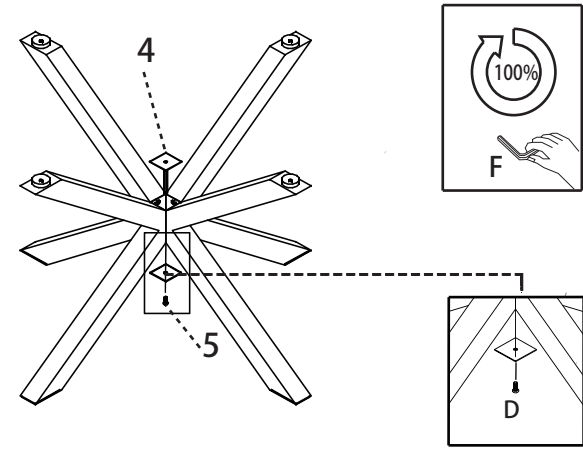
4



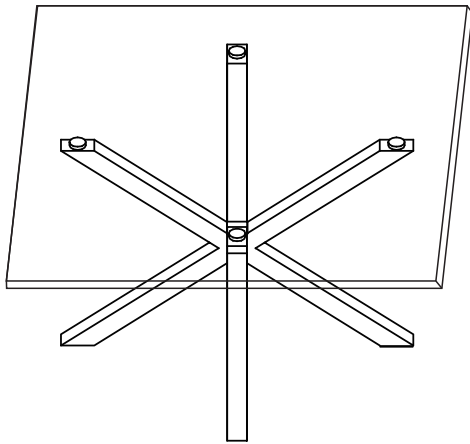
5



6



7



1		4	A		8
2		1	B		8
3		4	C		8
4		1	D		1
5		1	E		1
			F		1