

READ & SAVE BELOW INSTRUCTIONS

Before beginning assembly of product, make sure all parts are present. Compare parts with package contents list and hardware contents list. If any part is missing or damaged, do not attempt to assemble the product. Do not fully tighten any of the bolts until the chair and table are completely assembled.

This item is heavy. Use care when handling. May require two adults for safe assembly.

Assemble the items on a stable, non-abrasive surface such as carpeting to avoid damage.

Chair Weight capacity: 352lbs/160kg.

Table Weight capacity: 77lbs/35kg. Do not sit on it.

CARE AND MAINTENANCE

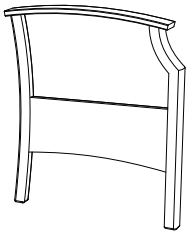
Use mild soap and warm water. Do not use abrasive materials, cleaners or bleach products. Rinse with clean water and dry thoroughly.

Water allowed to accumulate inside the frames could freeze and damage the frame tubing.

Such damage is not covered under the warranty.

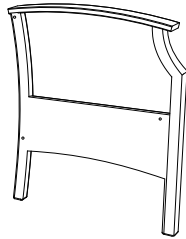
PACKAGE CONTENTS

A



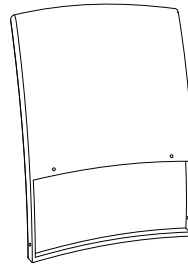
x2

B



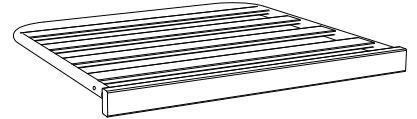
x2

C



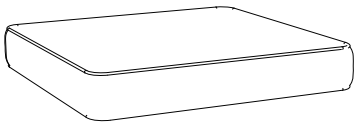
x2

D



x2

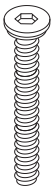
E



x2

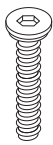
HARDWARE CONTENTS

F



M6x55
x4

G



M6x40
x12

H



x16

I



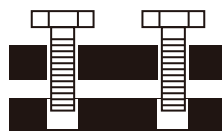
x16


J

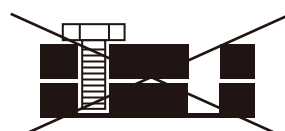


x1

Install all the relevant screws, but do not tighten them completely at the very beginning.

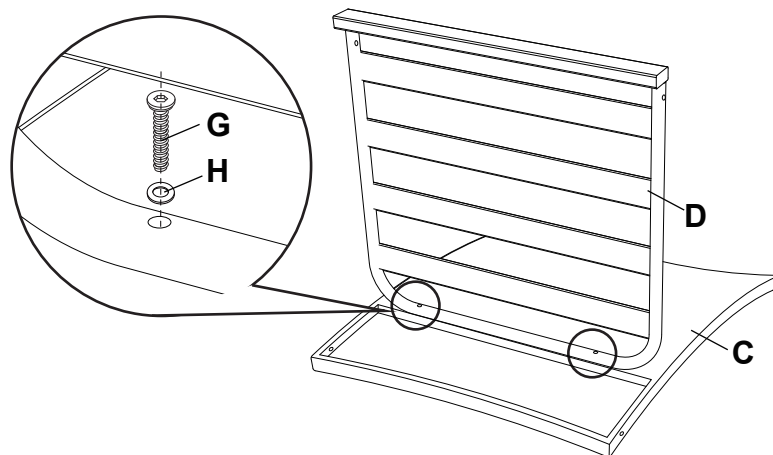


 Do not fully tighten until the end of assembly or until stated.

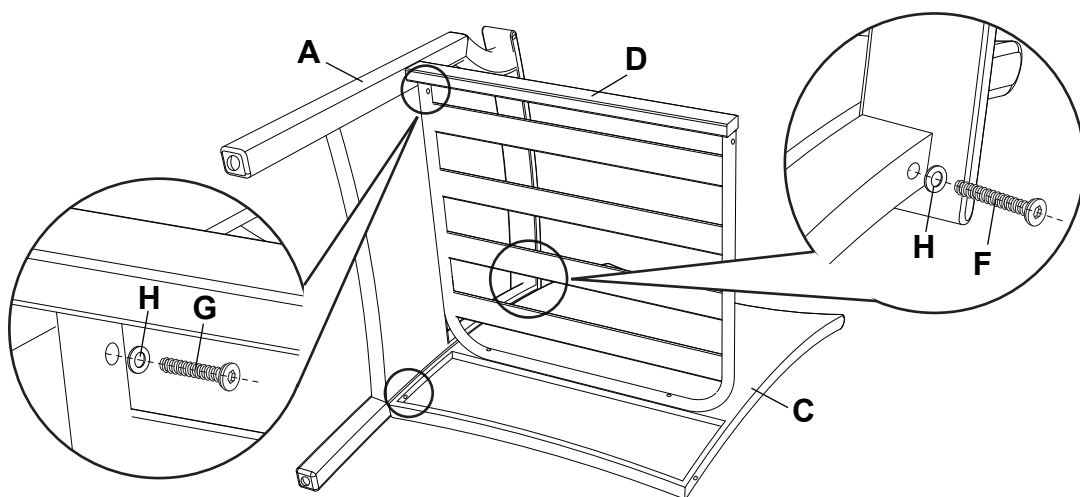


ASSEMBLY INSTRUCTIONS

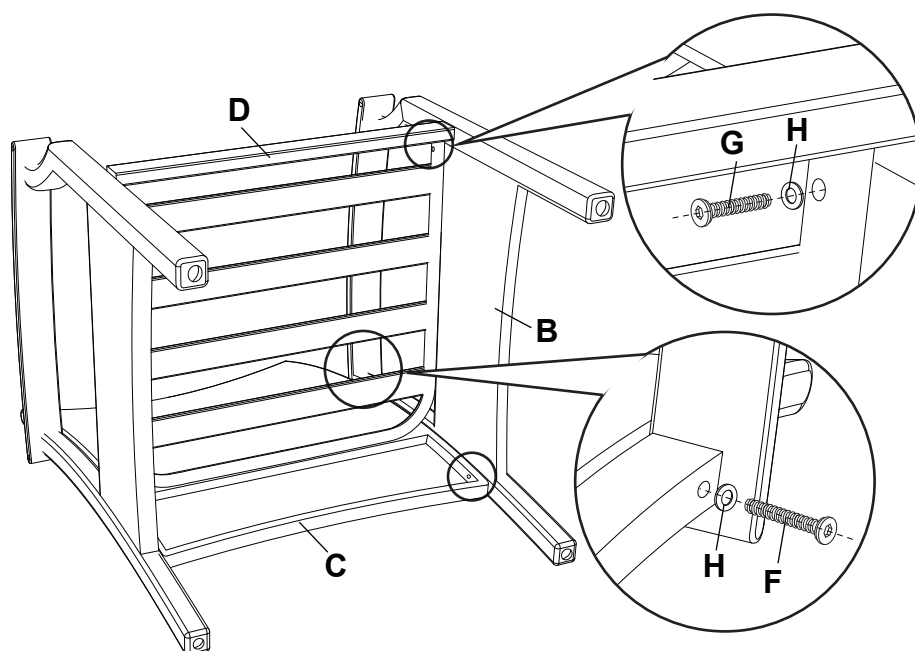
1



2

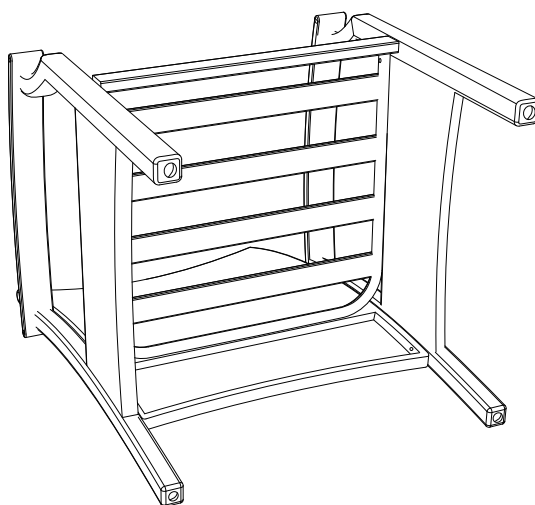
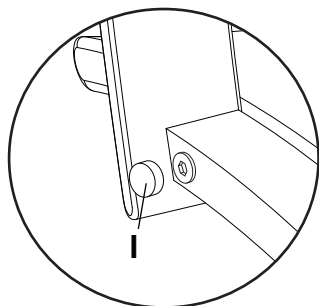


3

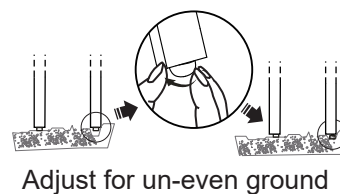
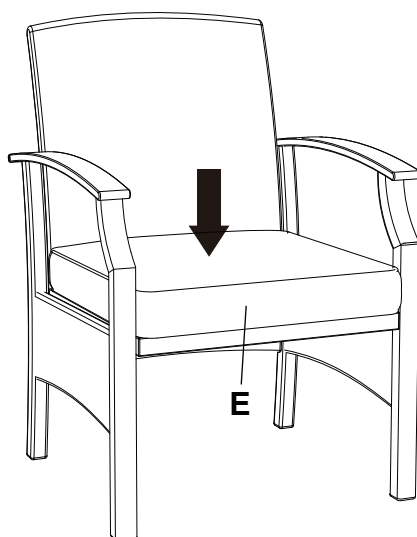


ASSEMBLY INSTRUCTIONS

4 Fully tighten all Nuts and Bolts

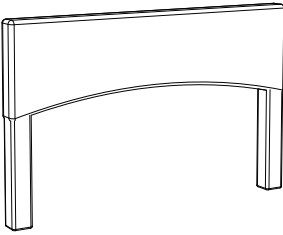


5



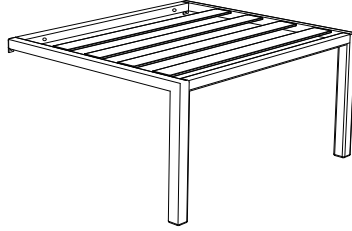
PACKAGE CONTENTS

A



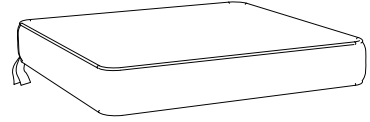
x2

B



x2

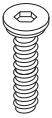
C



x2

HARDWARE CONTENTS

D



M6x30
x8

E



x8

F



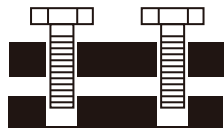
x8


G

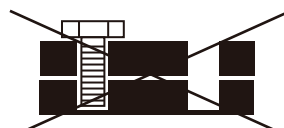


x1

Install all the relevant screws, but do not tighten them completely at the very beginning.

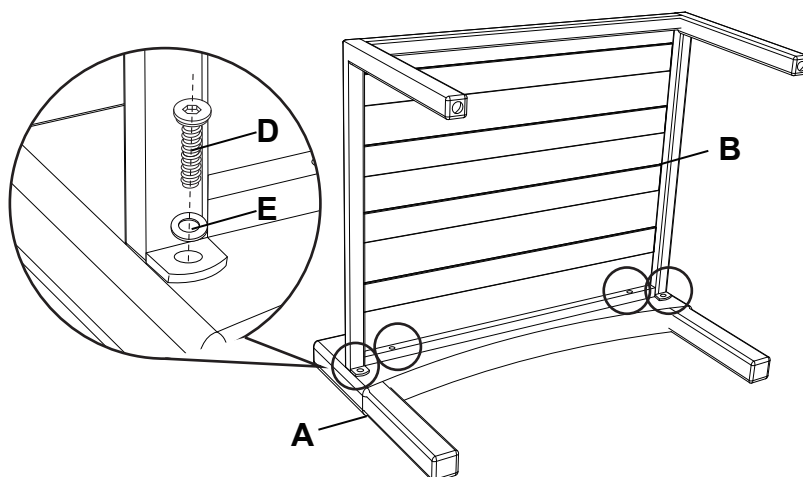


 Do not fully tighten until the end of assembly or until stated.

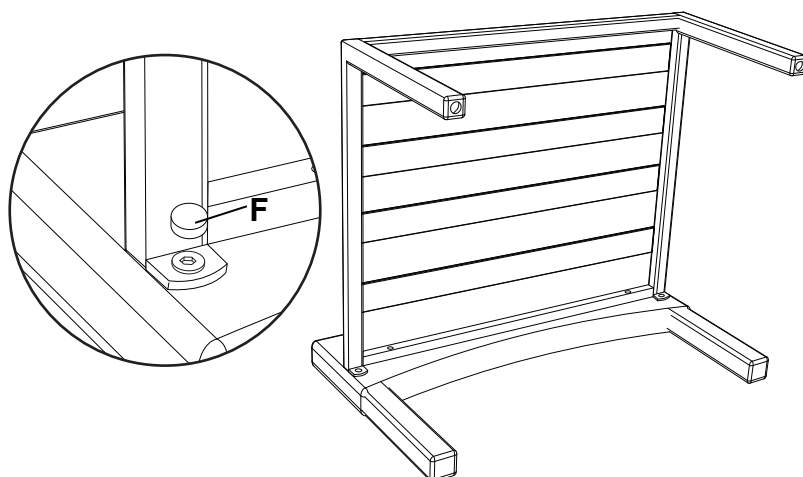


ASSEMBLY INSTRUCTIONS

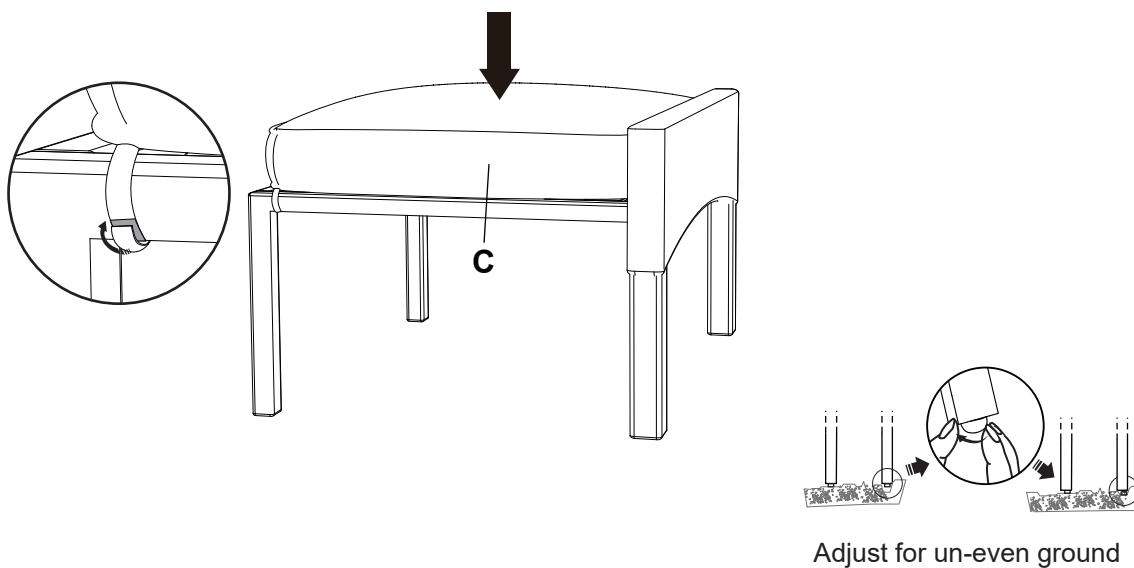
1



2 Fully tighten all Nuts and Bolts

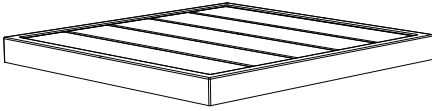


3



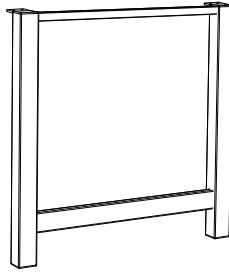
PACKAGE CONTENTS

A



x1

B



x2

C



x1

HARDWARE CONTENTS

D



M6x15
x10

E



x10

F



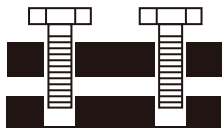
x10


G

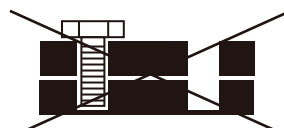


x1

Install all the relevant screws, but do not tighten them completely at the very beginning.

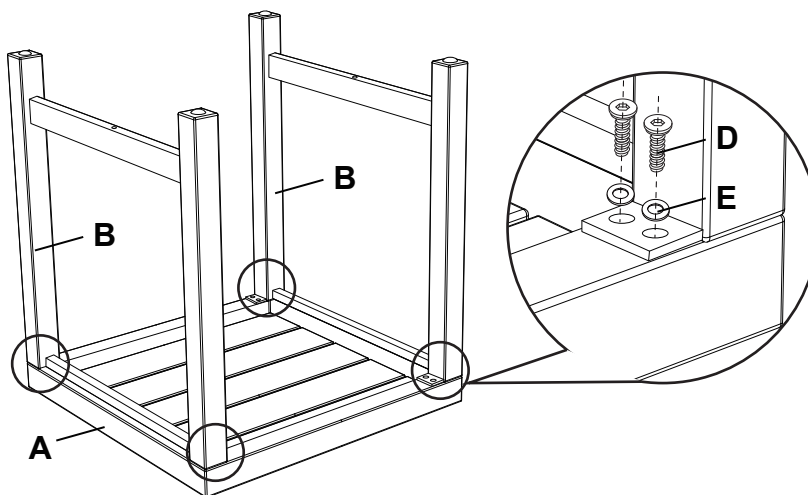


 Do not fully tighten until the end of assembly or until stated.

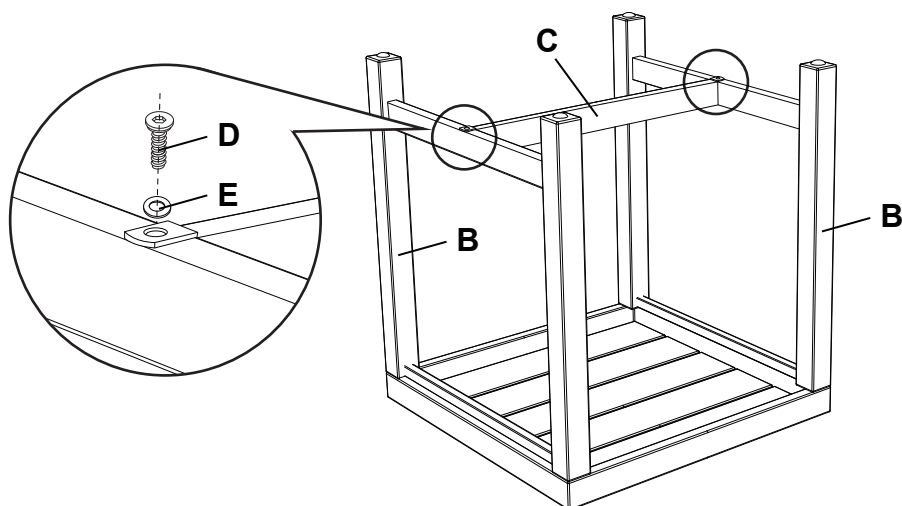


ASSEMBLY INSTRUCTIONS

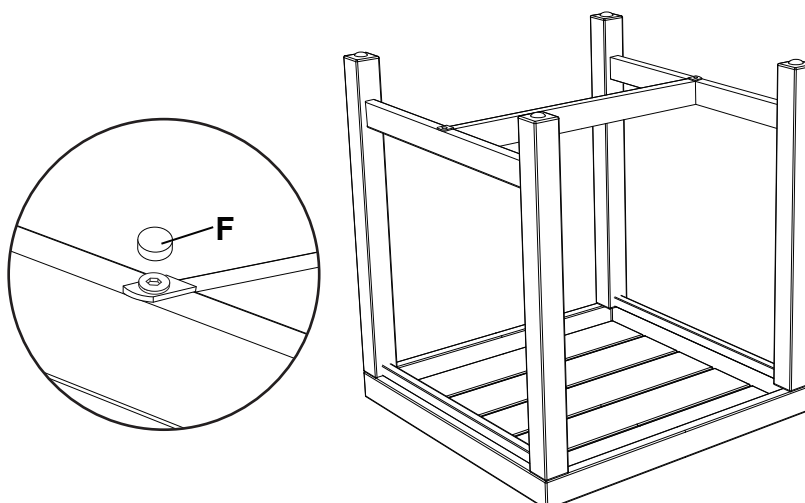
1



2

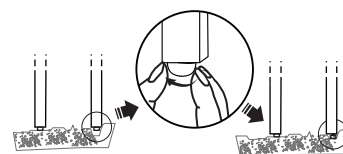
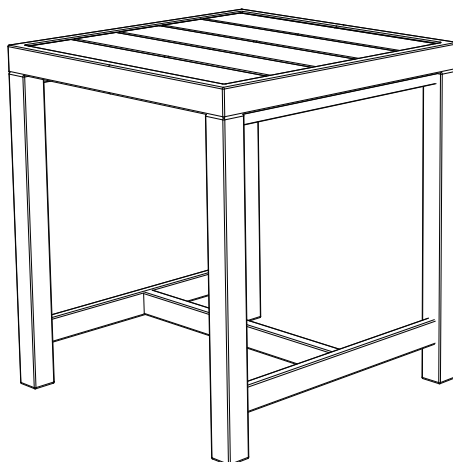


3 Fully tighten all Nuts and Bolts



ASSEMBLY INSTRUCTIONS

4



Adjust for un-even ground