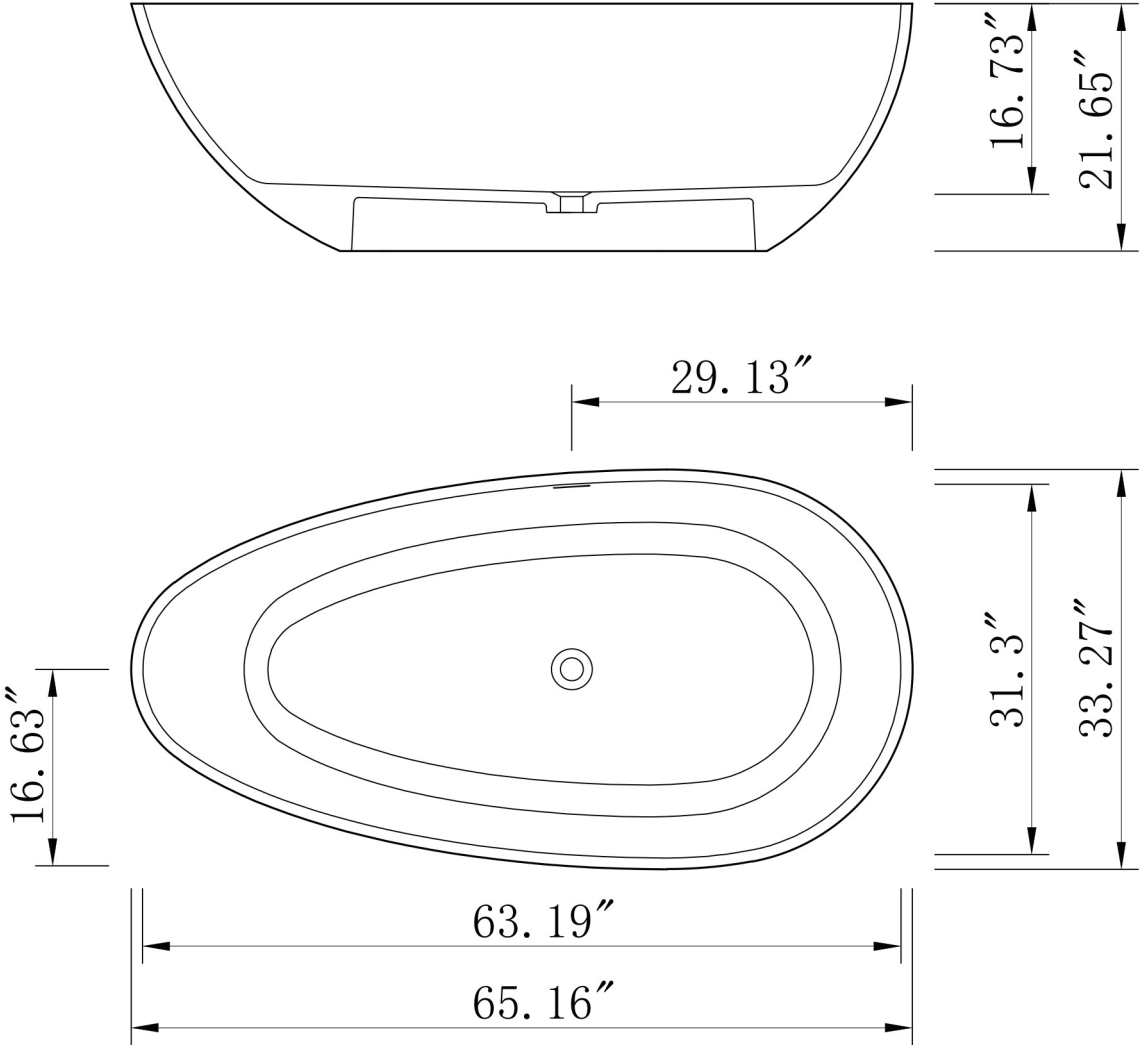


# Dimension/Specification



**Sku RX-S01-65CG**