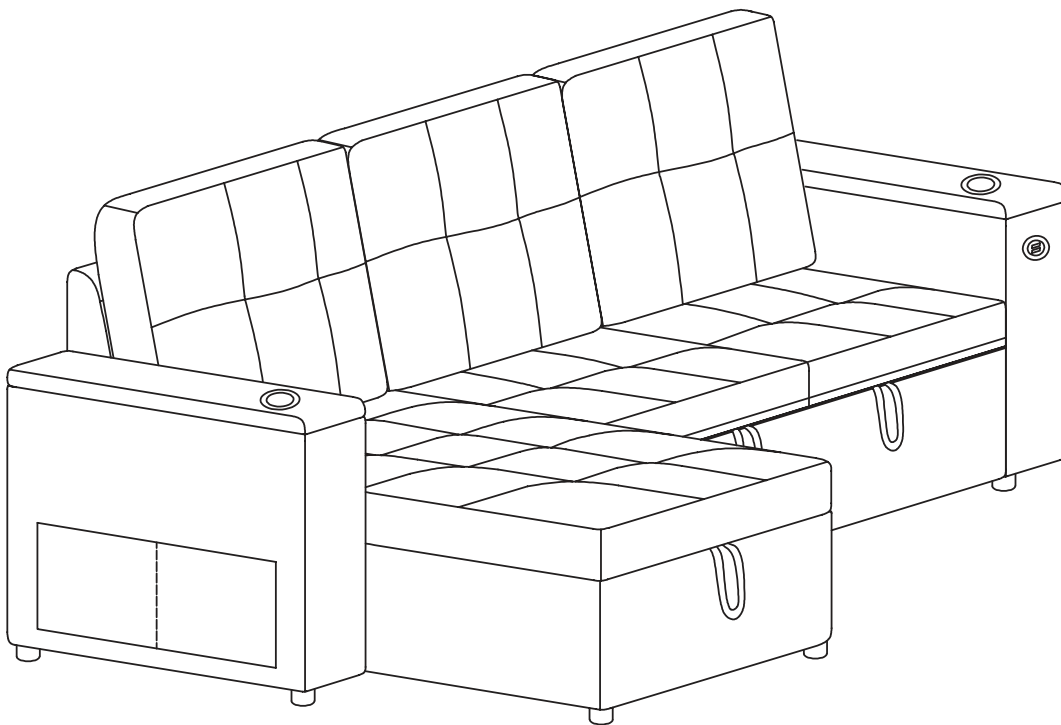


# Sofa bed with Functional Armrest

---

## Assembly Instruction



### ▲ NOTE:

The production with TWO PACKAGES, come with TWO TRACKINGS, may not be delivered at the same time.



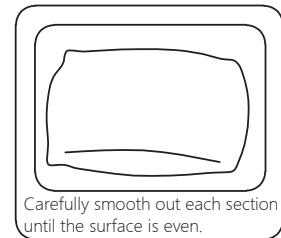
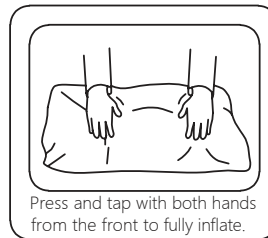
# Safety and care advice

**Important—Please read these instructions fully before starting assembly**

Thanks for your purchase. Before the assembly please follow the instructions to check if all the spare parts and screws are intact.

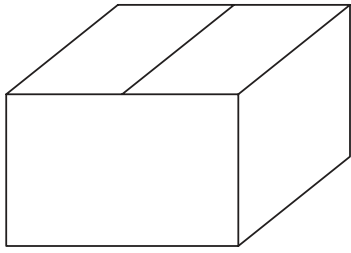
- Considering the size and weight of the sofa, we recommend two adults to assemble the sofa, on a carpeted or padded area, in the room that it is intended for. Approximate assembly time: 30 minutes.
- Please do not throw away any of the packaging or the instruction until you have checked all the components and hardware and the furniture is fully assembled. Please ensure that the packaging is disposed in a safe and environmentally friendly way.
- Keep all components and packaging out of reach of children or animals to avoid the risk of choking or suffocation.
- Please do not take off the cover, and do not wash.

Your cushions come vacuum packed and sealed for shipping. To restore the cushion's original shape, follow the steps below.









After packing up, place them in somewhere dry and ventilated. After about 72-96 hours. It can be restored to the best use condition.


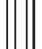

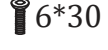



## BOX1




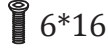

### CHAISE PART

①		Sofa leg	x6
②		Knob Bolt	x3
③		Latch	x2
A-1		Backrest	x1
A-6		Armrest(L)	x1
A-3		Chaise Frame	x1

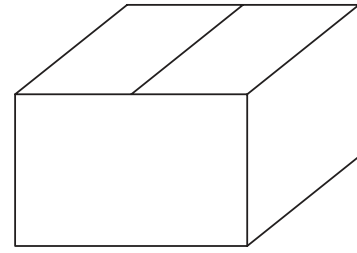
### TWO SEATS PART

①		Sofa leg	x2
③		Latch	x2
④		Connector	x2
a		Bolts	x2
b		Screw	x4
c		Washer	x2
B-4		Backrest	x2


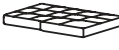

### MATTRESS PART

c		Washer	x4
e		Bolts	x4
d		Allen key	x1






## BOX2




### CHAISE PART

A-2		Chaise Back Frame	x1
A-4		Chaise Cushion	x1
A-5		Chaise Back Frame Holder	x1

### TWO SEATS PART

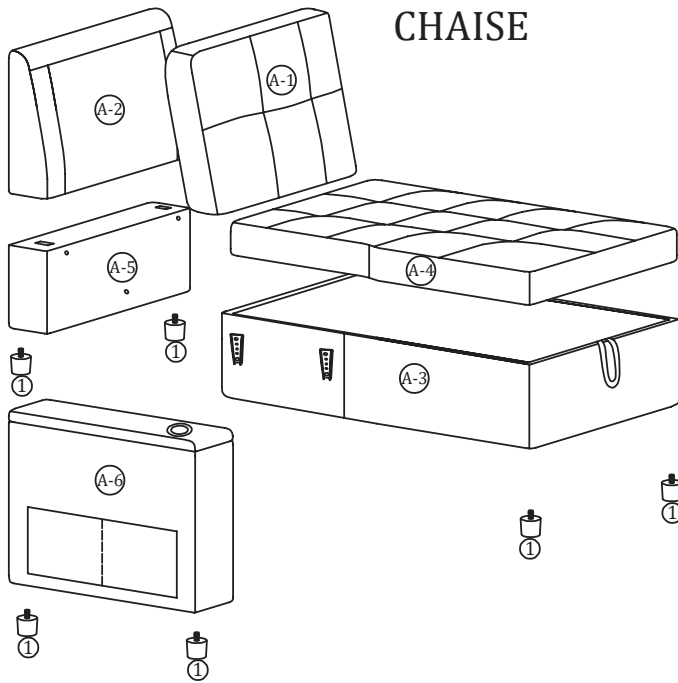
B-3		Two-seat Frame	x1
B-5		Two-seat Cushion	x2
B-6		Two-seat Back Frame	x1
B-7		Pull-out Sofa Cushion	x1
B-8		Armrest(R)	x1


### MATTRESS PART

B-1		Pull-out Sofa Frame	x1
B-2		Pull-out Sofa Seat Frame	x1


# Assembly Instruction of Sofa

## Structural accessories

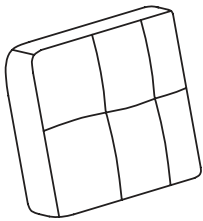


  
① 6PCS  
Sofa leg

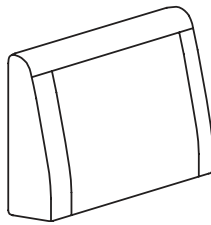
  
② 3PCS  
Knob Bolt

  
③ 2PCS  
Latch

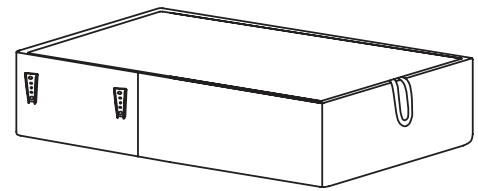
## Main structure accessories



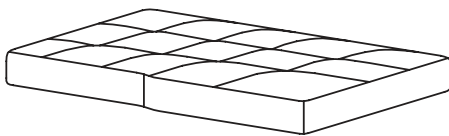
Ⓐ-1 1pc  
Backrest



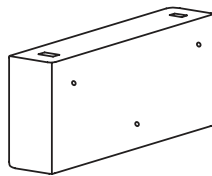
Ⓐ-2 1pc  
Chaise Back Frame



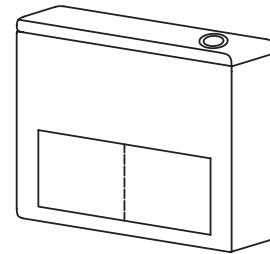
Ⓐ-3 1pc  
Chaise Frame



Ⓐ-4 1pc  
Chaise Cushion



Ⓐ-5 1pc  
Chaise Back Frame Holder

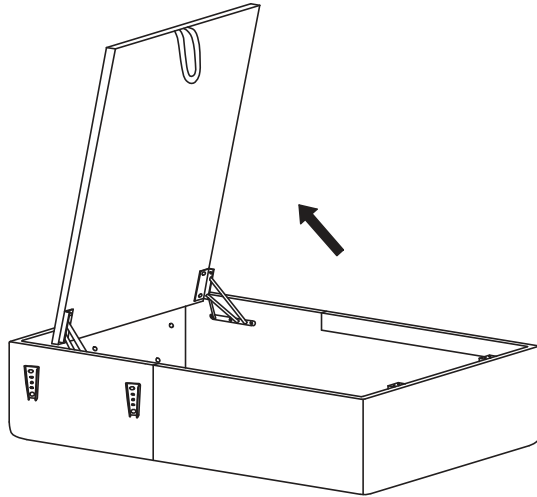


Ⓐ-6 1pc  
Armrest(L)

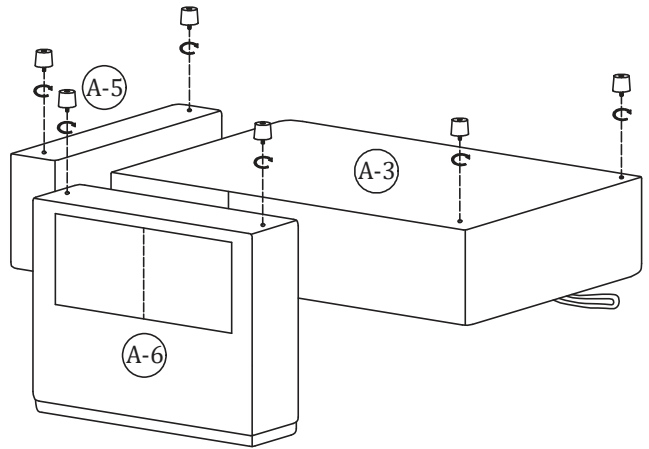
# Assembly Instruction of Sofa

## Step 1

Open the lid  
and remove  
the accessories.

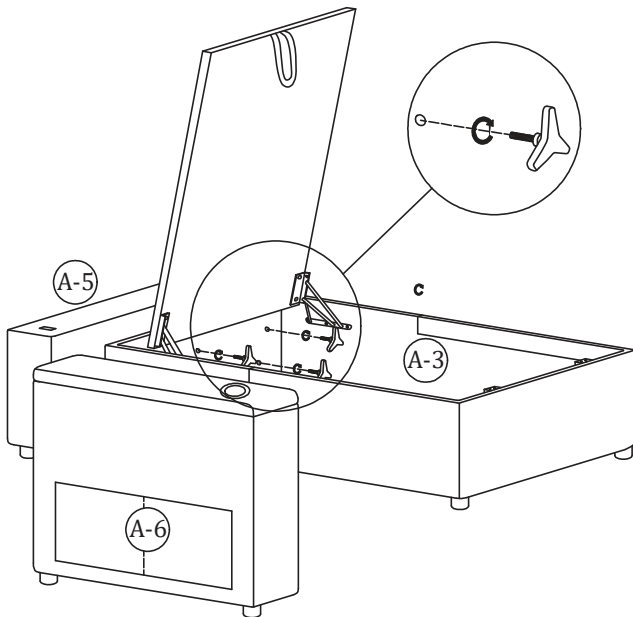


## Step 2



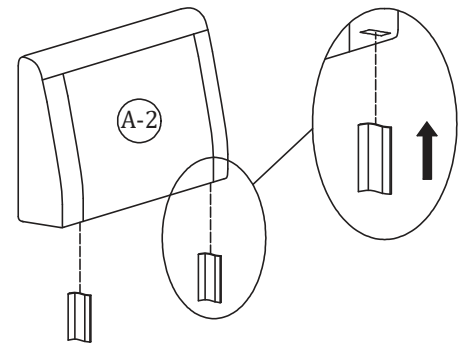
①  x6

## Step 3



②  x3

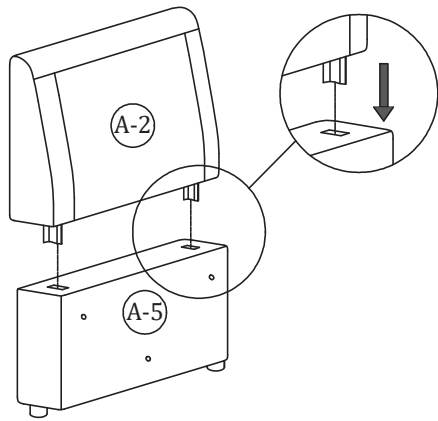
## Step 4



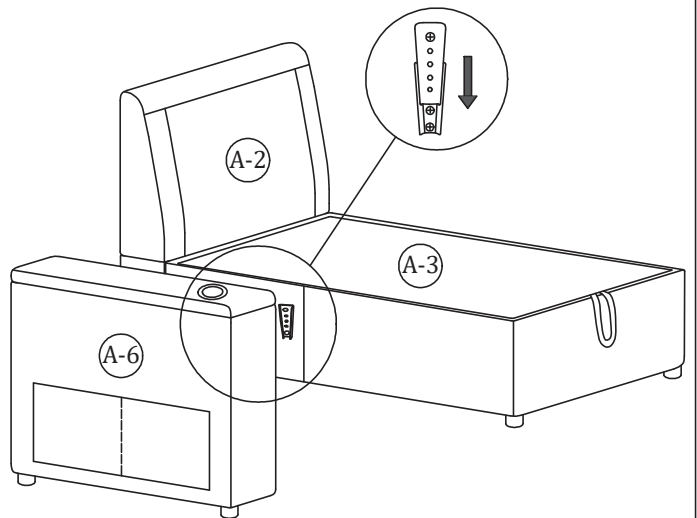
③  x2

# Assembly Instruction of Sofa

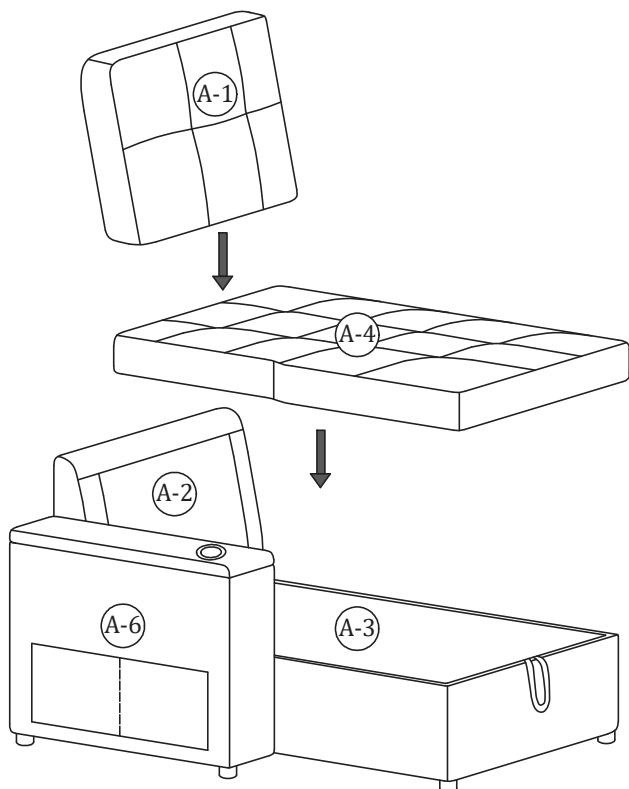
Step 5



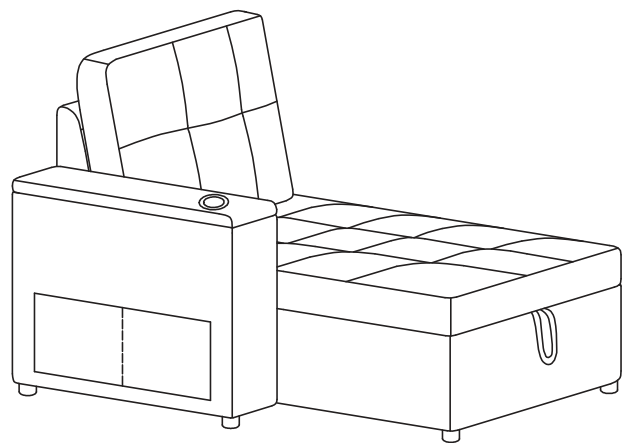
Step 6



Step 7

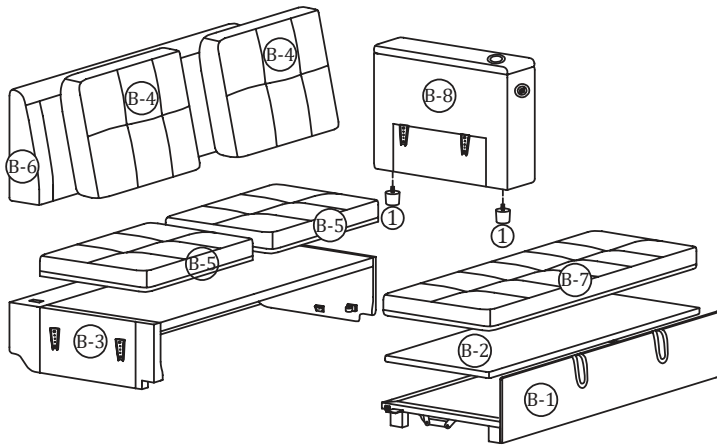


Step 8

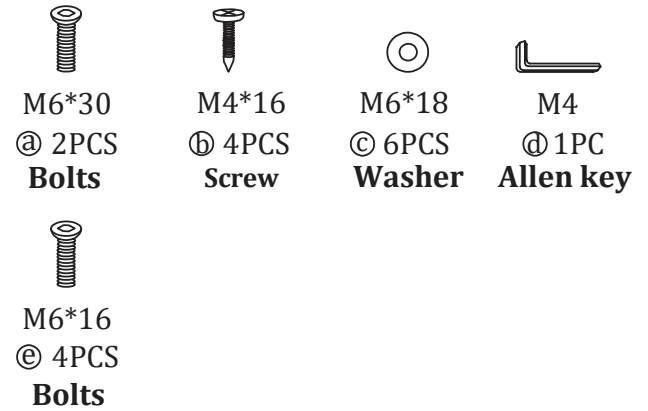


# Assembly Instruction of Sofa

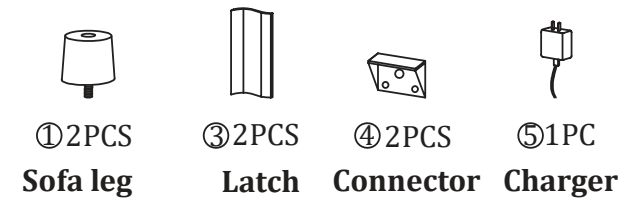
## TWO SEATS+MATTRESS



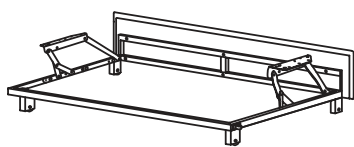
## Hardware parts



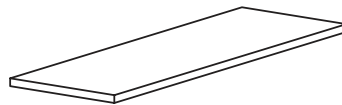
## Structural accessories



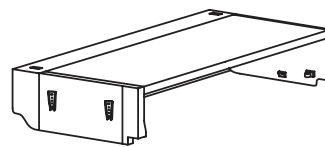
## Main structure accessories



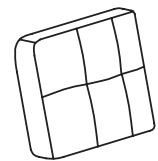
Ⓐ 1pc  
Pull-out Sofa Frame



Ⓑ 1pc  
Pull-out Sofa Seat Frame



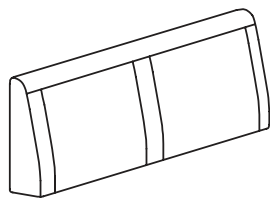
Ⓒ 1pc  
Two-seat Frame



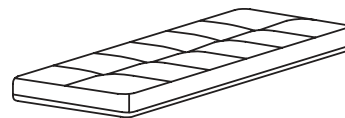
Ⓓ 2pcs  
Backrest



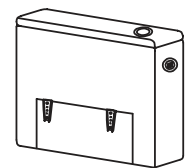
Ⓔ 2pcs  
Two-seat Cushion



Ⓕ 1pc  
Two-seat Back Frame



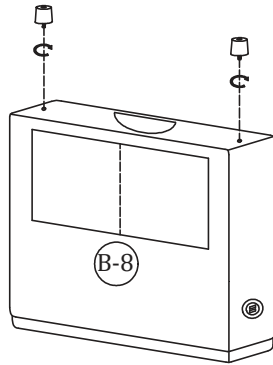
Ⓖ 1pc  
Pull-out Sofa Cushion



Ⓖ 1pc  
Armrest(R)

# Assembly Instruction of Sofa

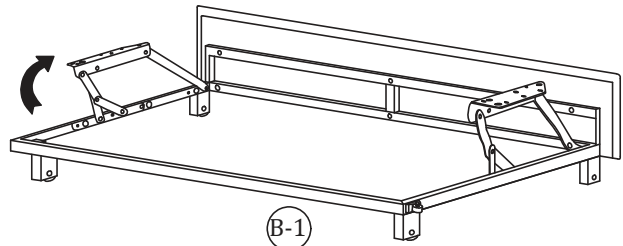
## Step 1



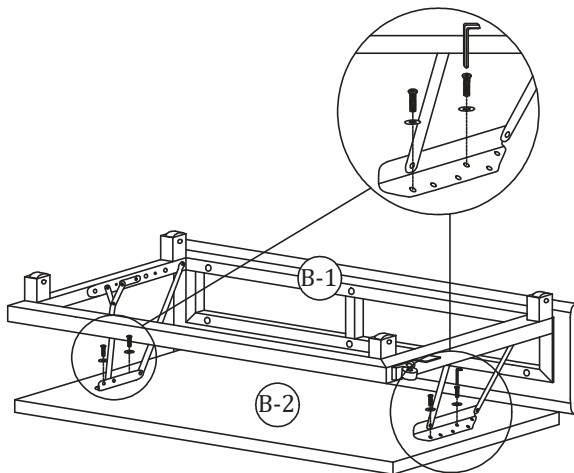
①  x2

## Step 2

Raise the movable stand.



## Step 3

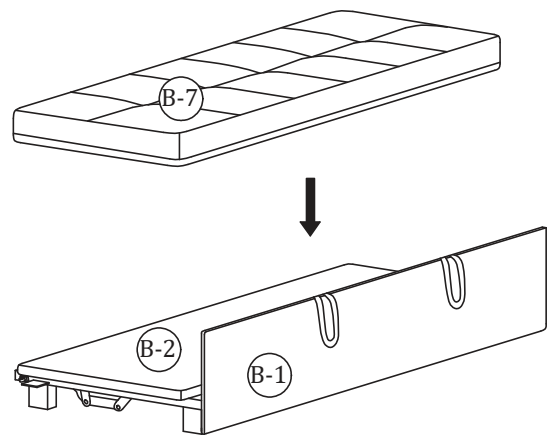


d  x1

c  M6\*18 x4

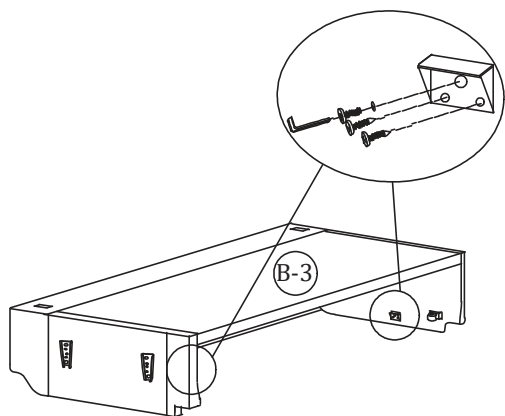
e  M6\*16 x4

## Step 4



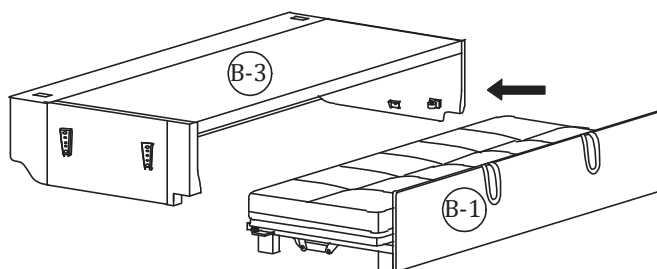
# Assembly Instruction of Sofa


## Step 5




## Step 6


Lift it up slightly and place it on the track.



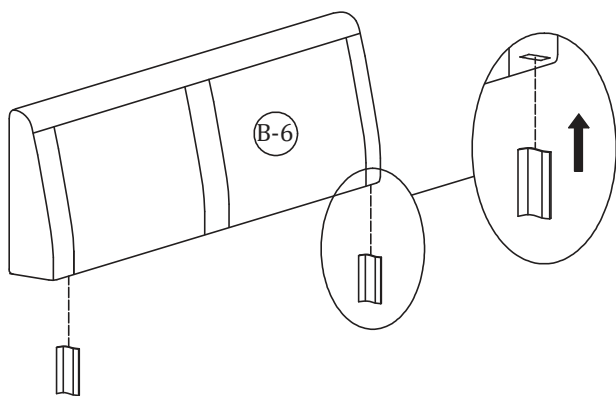
Ⓒ  M6\*18 x2

Ⓐ  M6\*30 x2

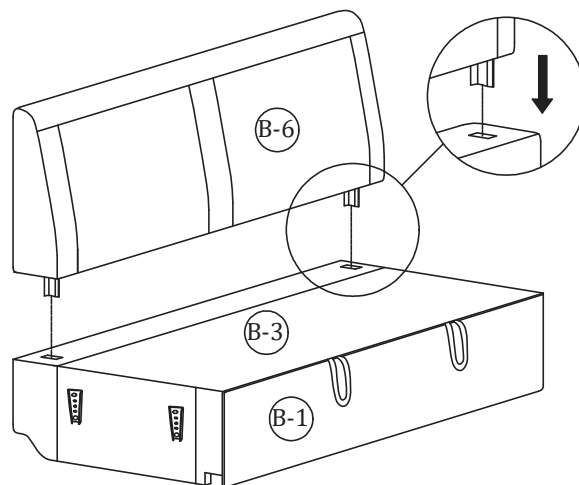
④  x2


Ⓑ  M4\*16 x4

## Step 7



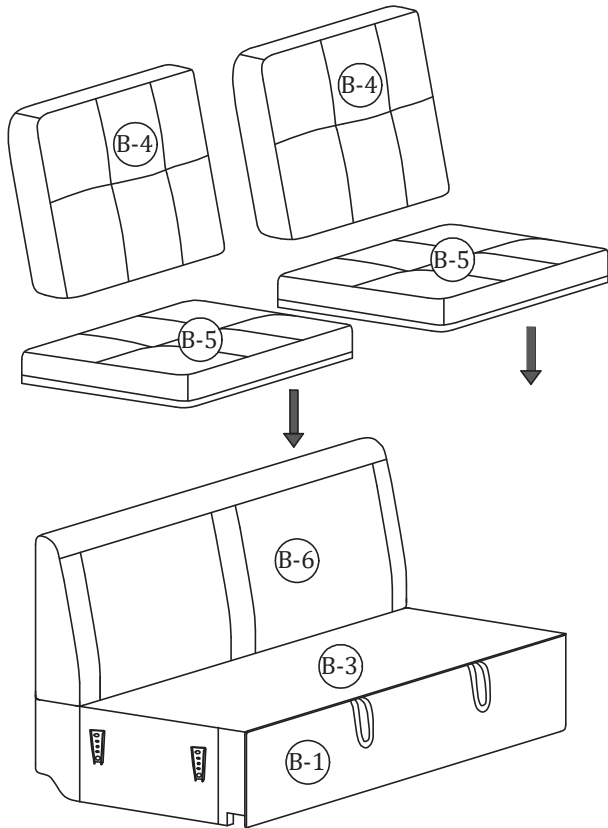
## Step 8



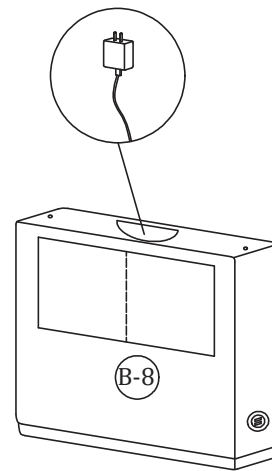
③  x2

# Assembly Instruction of Sofa

Step 9

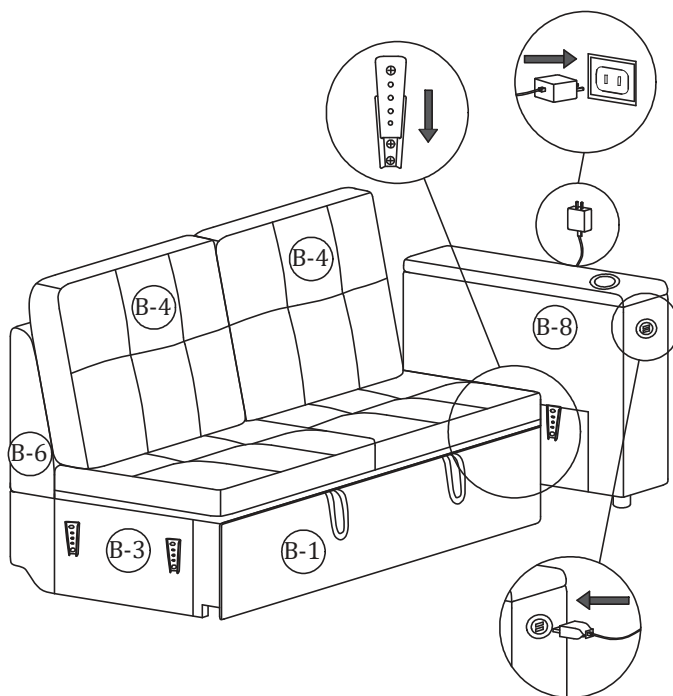


Step 10



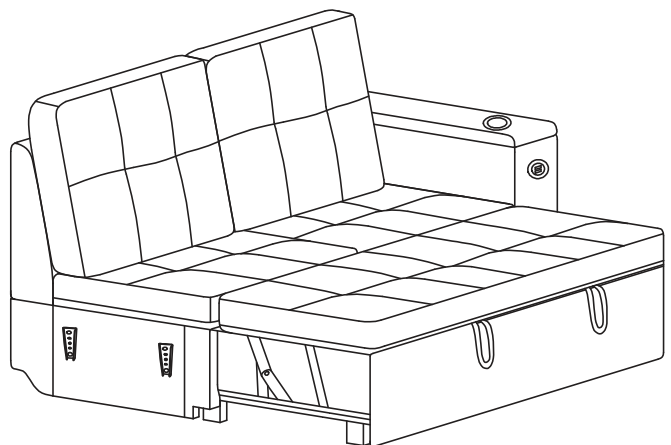
⑤  x1

Step 11

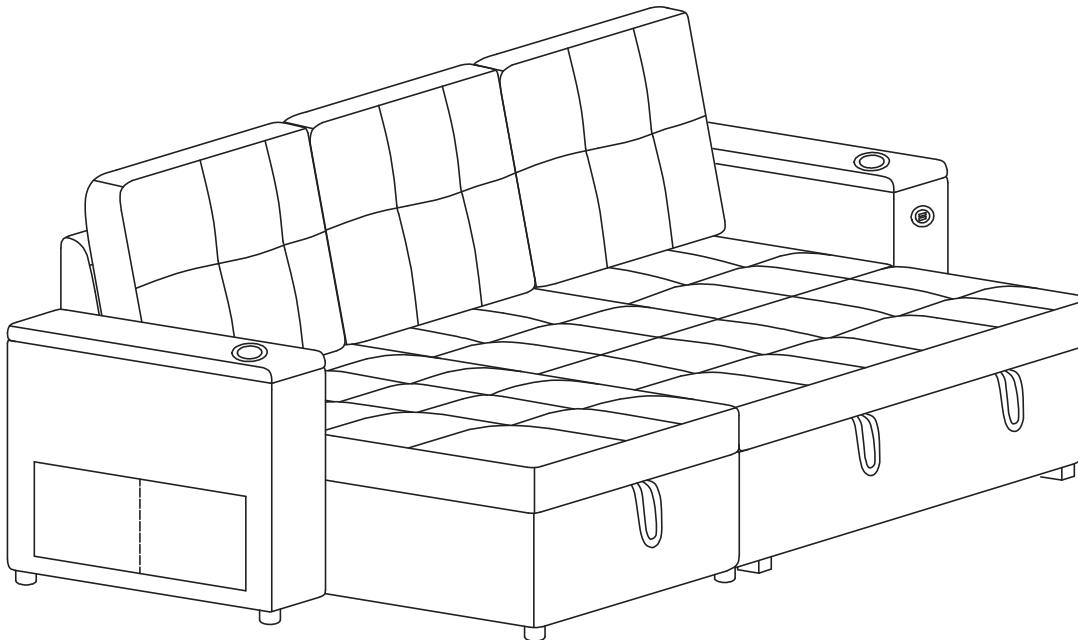
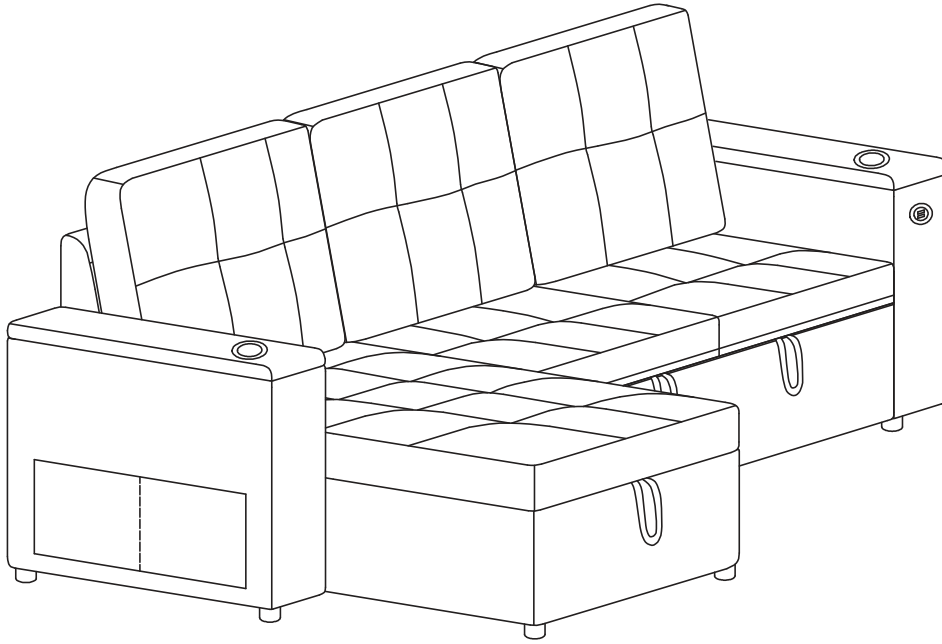


⑤  x1

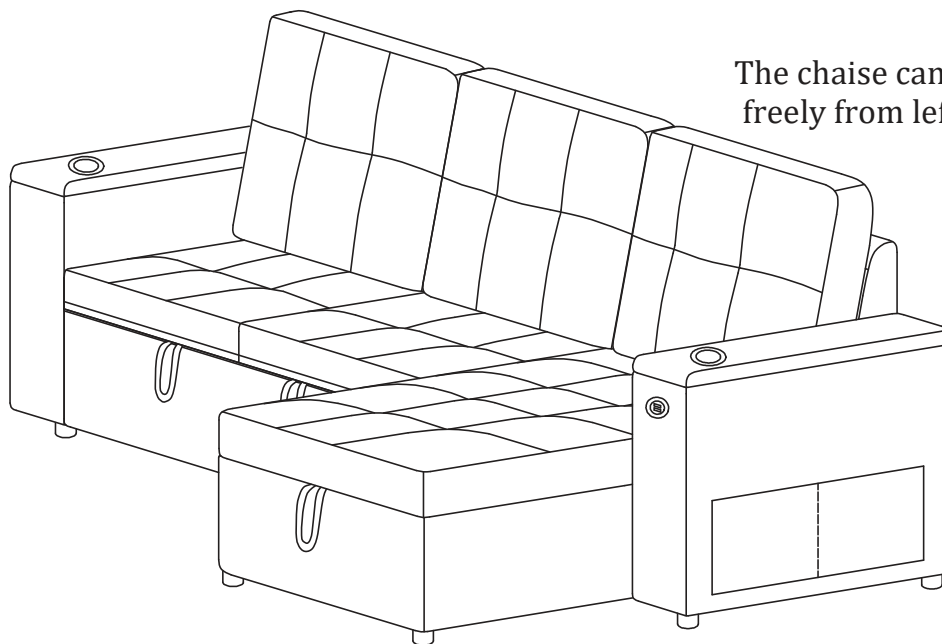
Step 12



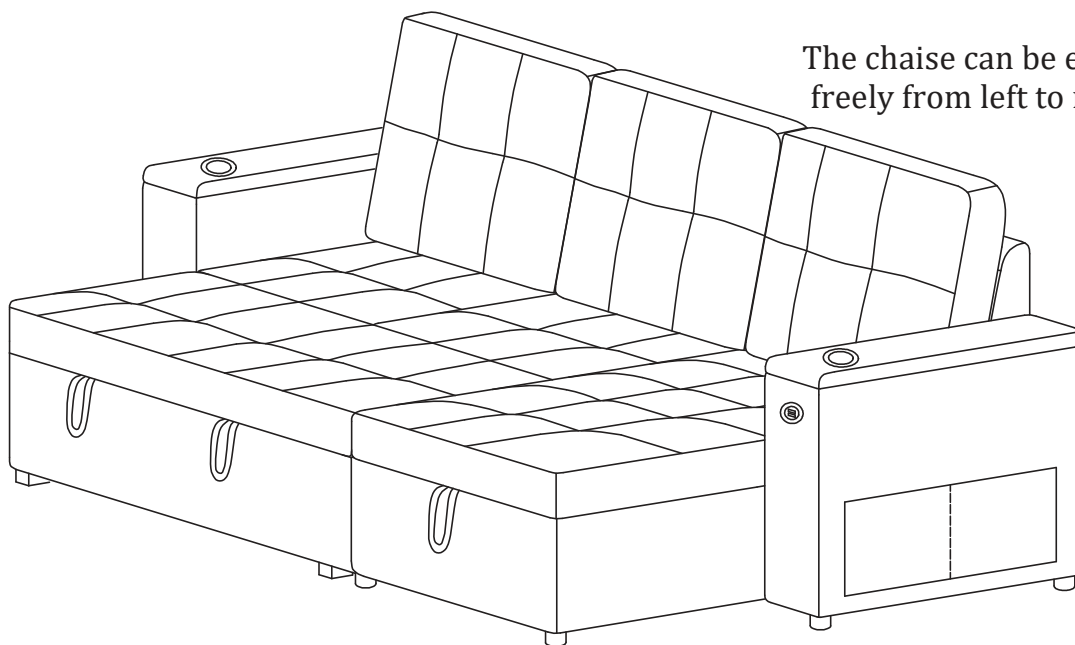
# Assembly Instruction of Combination



# Assembly Instruction of Combination



The chaise can be exchanged  
freely from left to right.



The chaise can be exchanged  
freely from left to right.