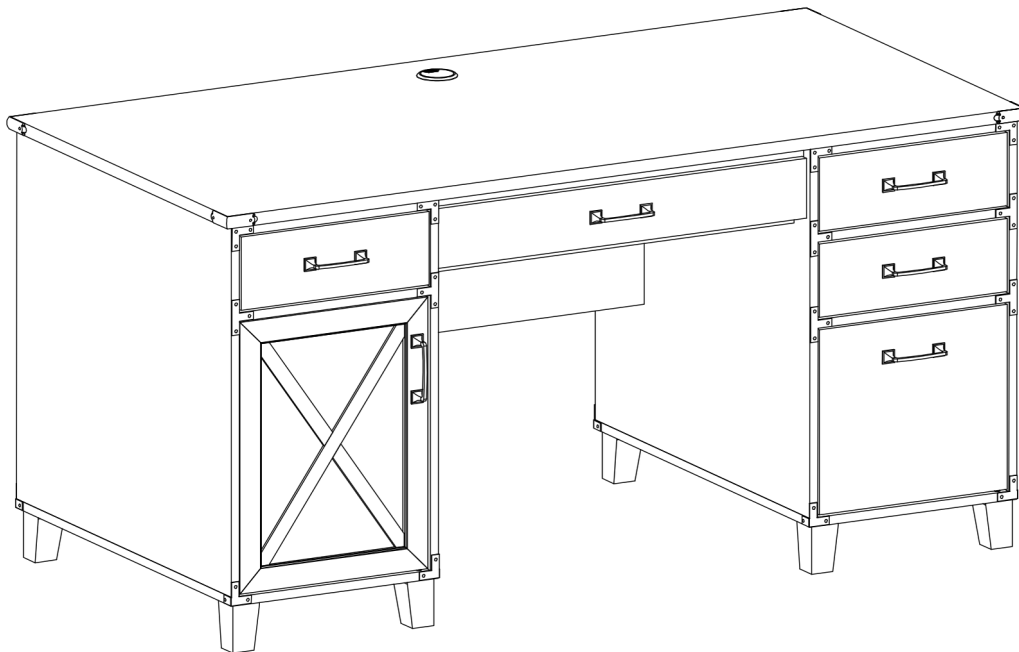


ASSEMBLY INSTRUCTIONS

Important Safety Instructions:

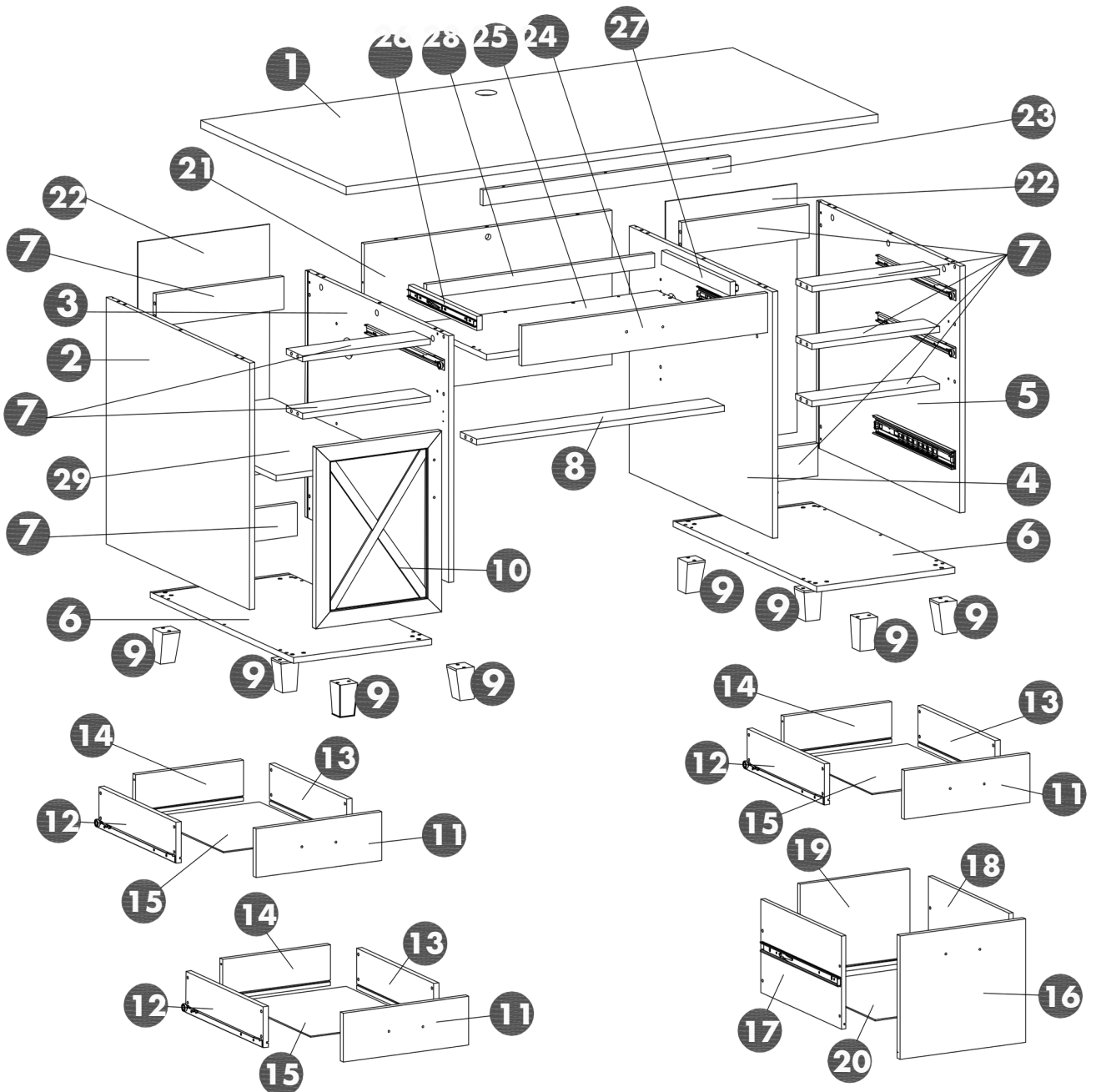
- Please read all instructions before beginning assembly
- Please make sure receive all the parcels to start the assembly
- For your safety and convenience, assembly by two people is recommended
- Use the parts and hardware lists to identify and separate each of the components included
- Save all packing materials until assembly is completed to avoid the accidental discarding of smaller parts or hardware



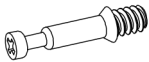


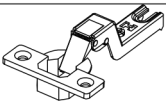
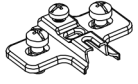

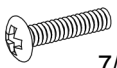
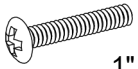

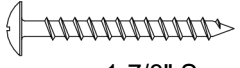
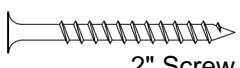
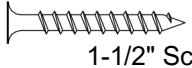
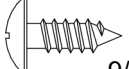
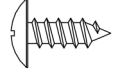

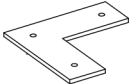

THANK YOU FOR PURCHASING


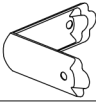
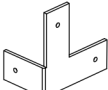
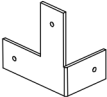
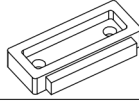
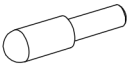
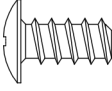
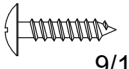
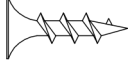

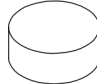
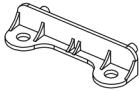
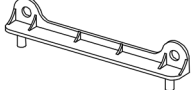
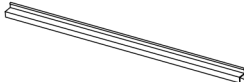
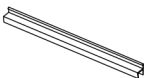

PARTS LIST

① X1	② X1	③ X1	④ X1	⑤ X1
⑥ X2	⑦ X9	⑧ X1	⑨ X8	⑩ X1
⑪ X3	⑫ X3	⑬ X3	⑭ X3	⑮ X3
⑯ X1	⑰ X1	⑱ X1	⑲ X1	⑳ X1
㉑ X1	㉒ X2	㉓ X1	㉔ X1	㉕ X1
㉖ X1	㉗ X1	㉘ X1	㉙ X1	



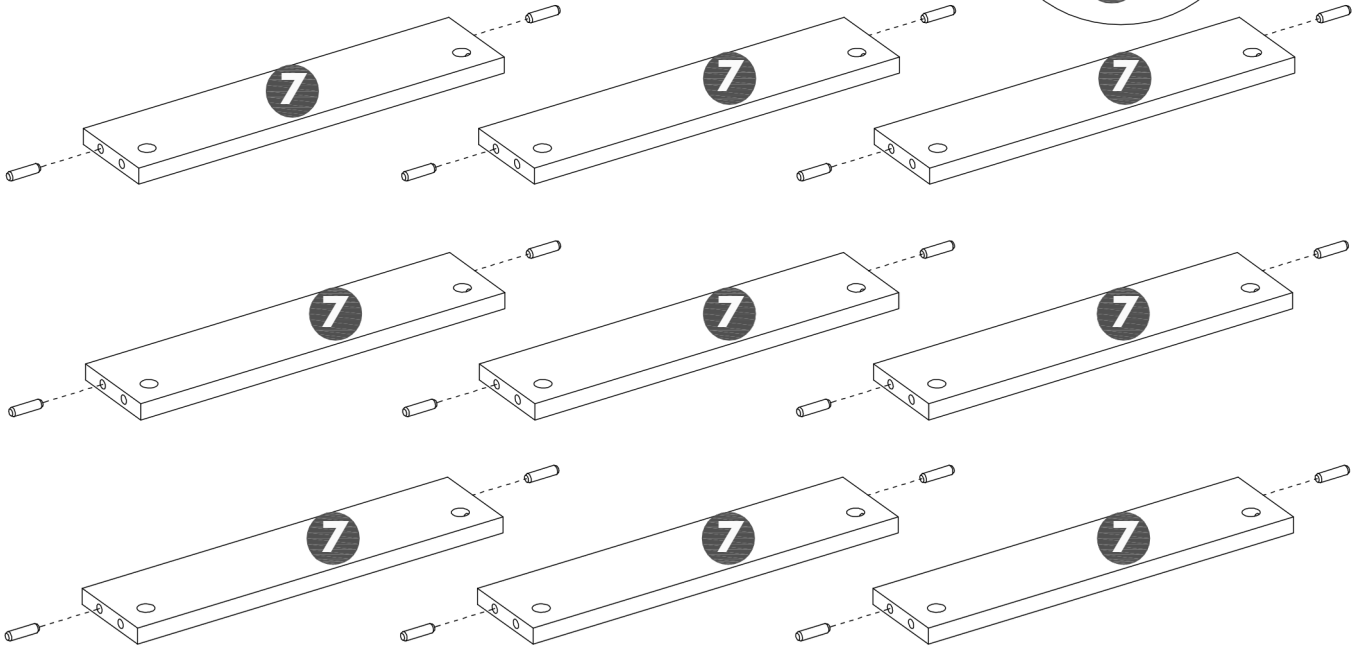
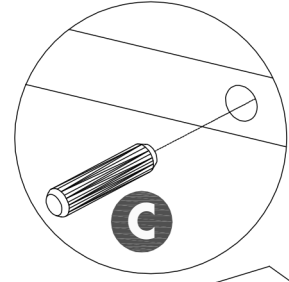
HARDWARE LIST

Name	Part	Qty.	Spare
A		33	1
B		33	1
C		48	1
D		2	
E		2	
F		6	
G	 7/8" Screw	10	1
H	 1" Screw	2	1
I		1	
J	 1-7/8" Screw	3	
K	 2" Screw	32	1
L	 1-1/2" Screw	22	1
M	 9/16" Screw	16	
N	 1/2" Screw	16	1
O		54	2
P		4	
Q		6	

Name	Part	Qty.	Spare
R	 5/6" nail	8	2
S		4	
T		4	
U		4	
V		1	
W		4	
X		2	
Y	 9/16" Screw	2	
Z		8	
AA		2	
BB	 Bumper Ø10x4mm	2	
CC		6	
DD		2	
EE		2	
FF		1	
GG		1	

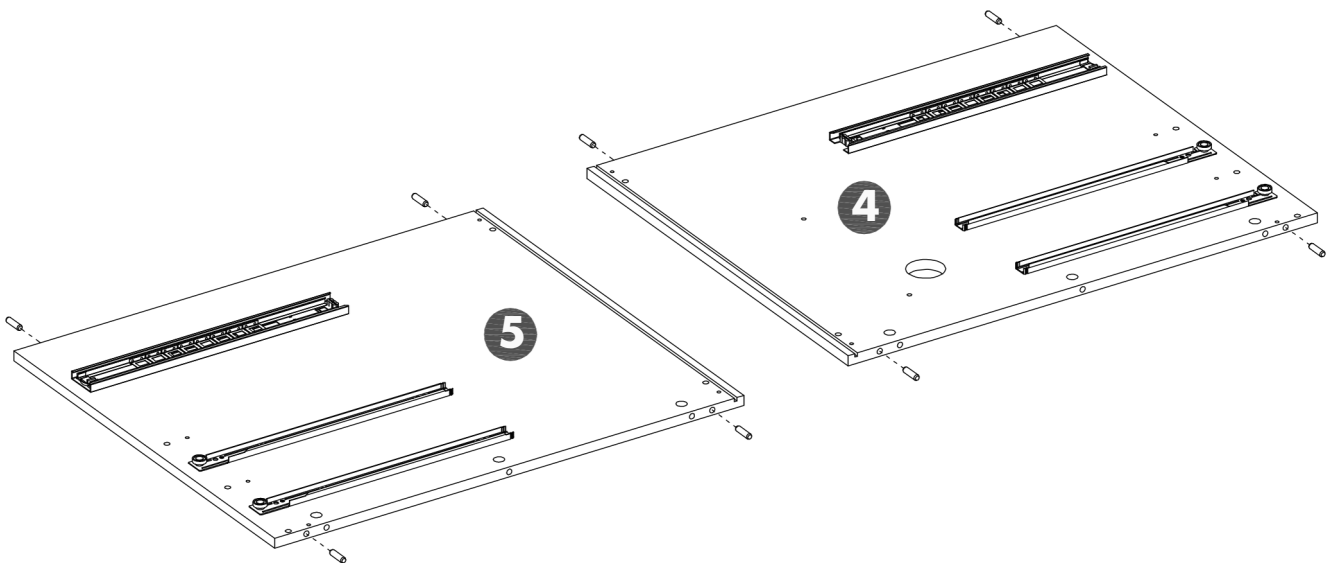
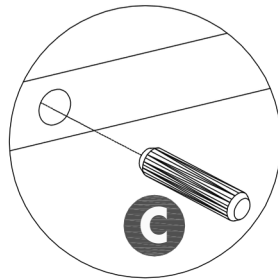
STEP 1

C x18pcs 



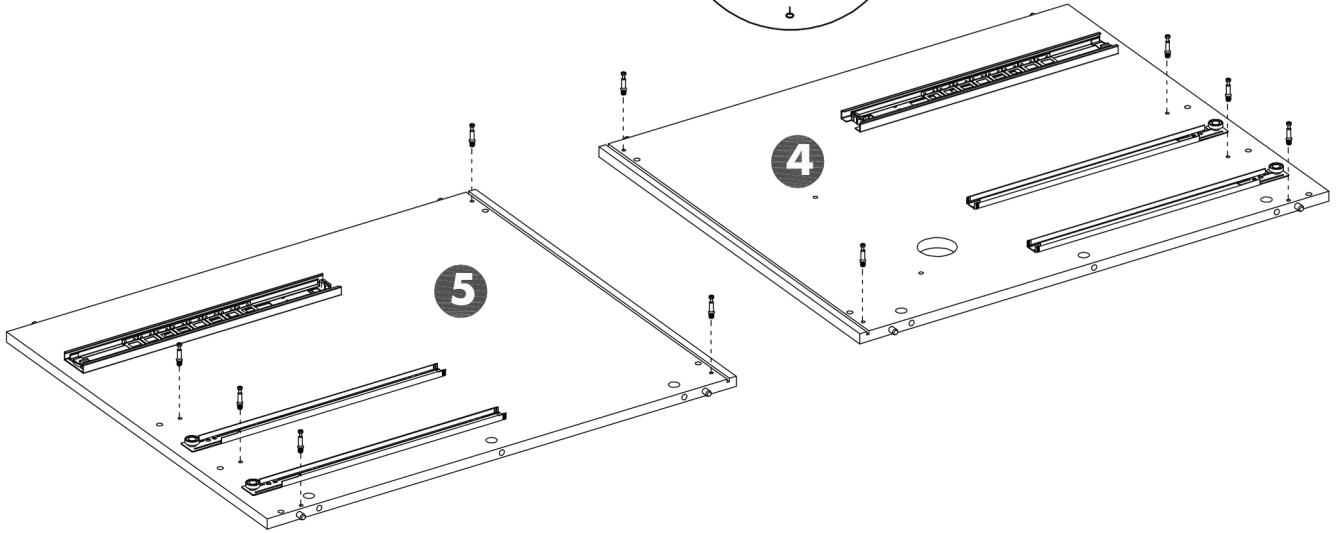
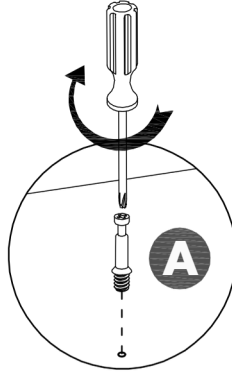
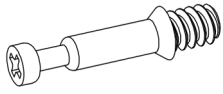
STEP 2

C x8pcs 



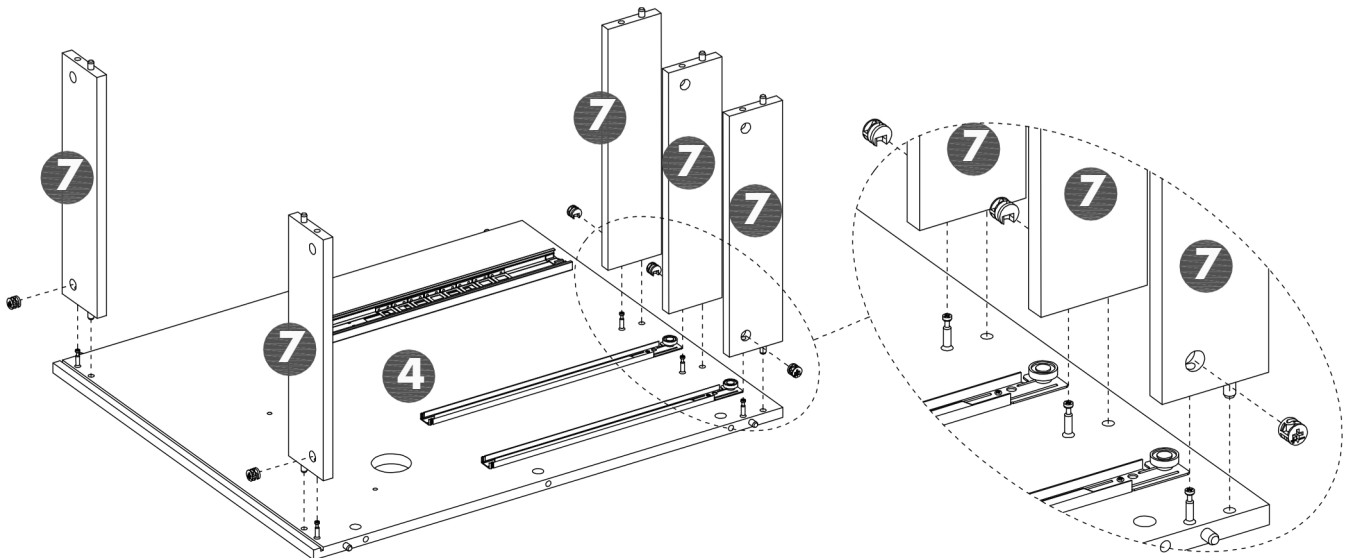
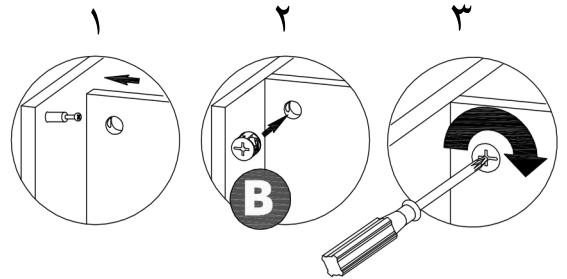
STEP 3

A x10pcs



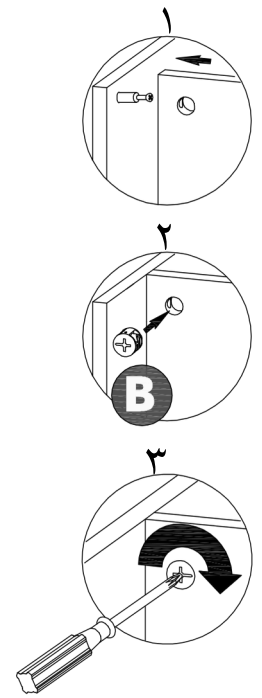
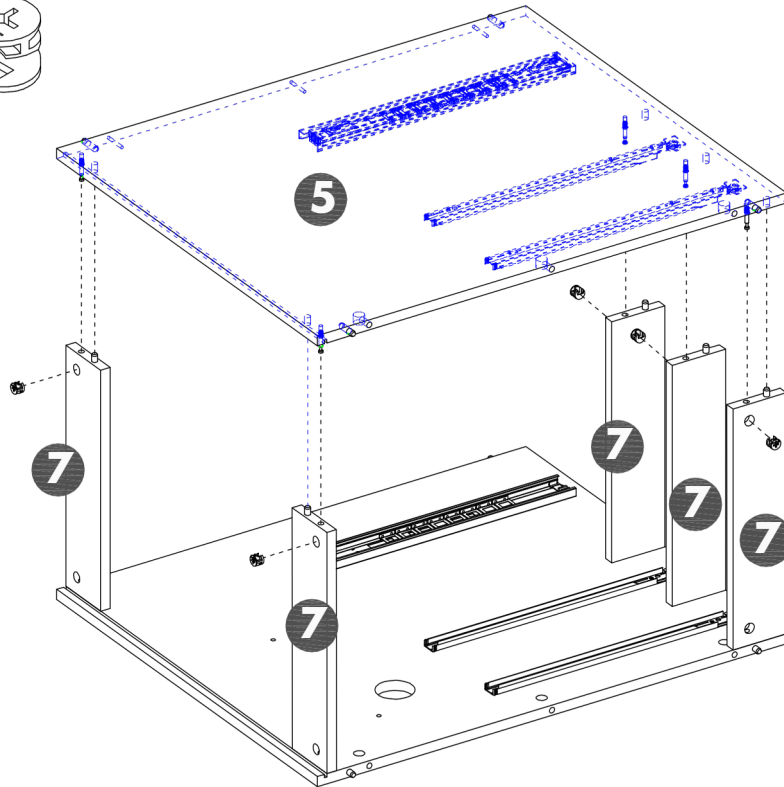
STEP 4

B x5pcs



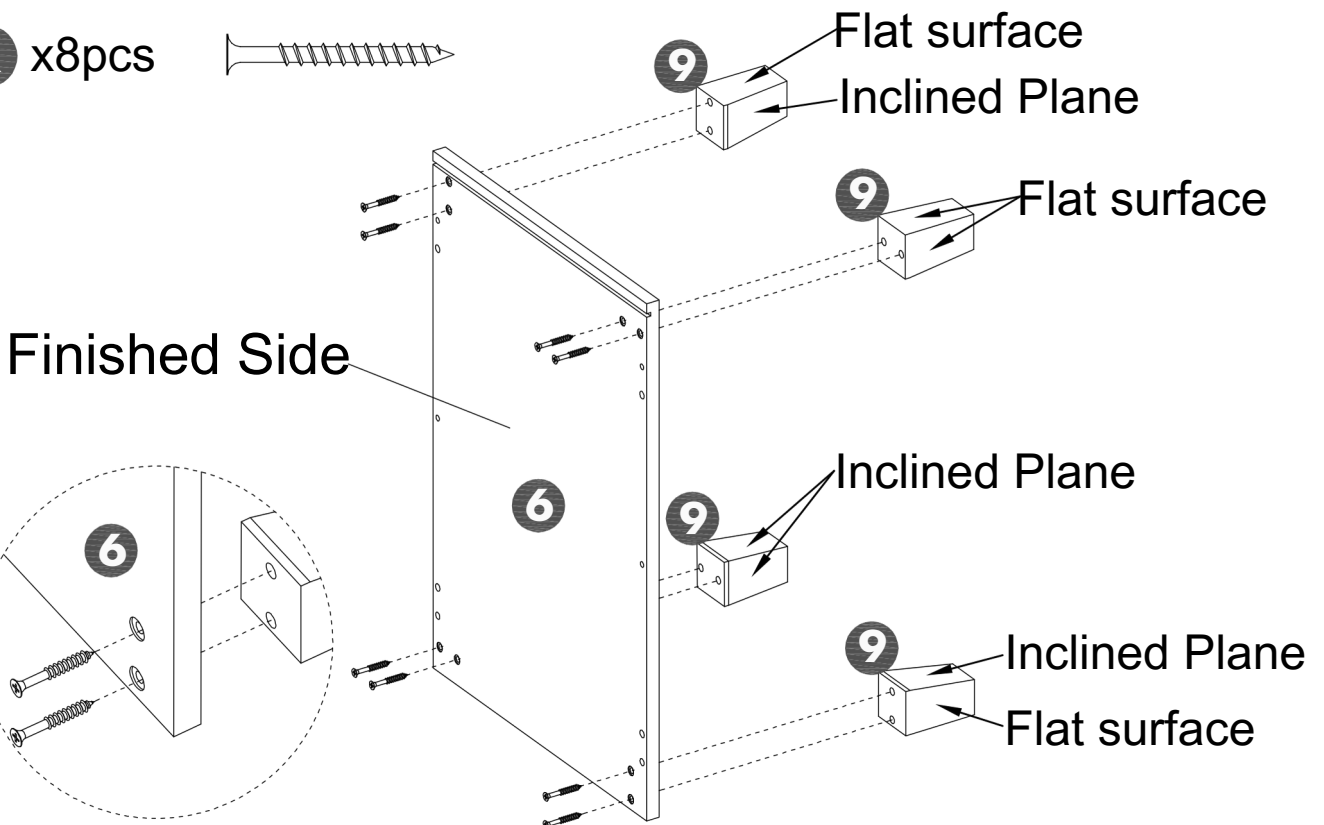
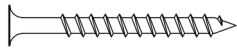
STEP 6

B x5pcs



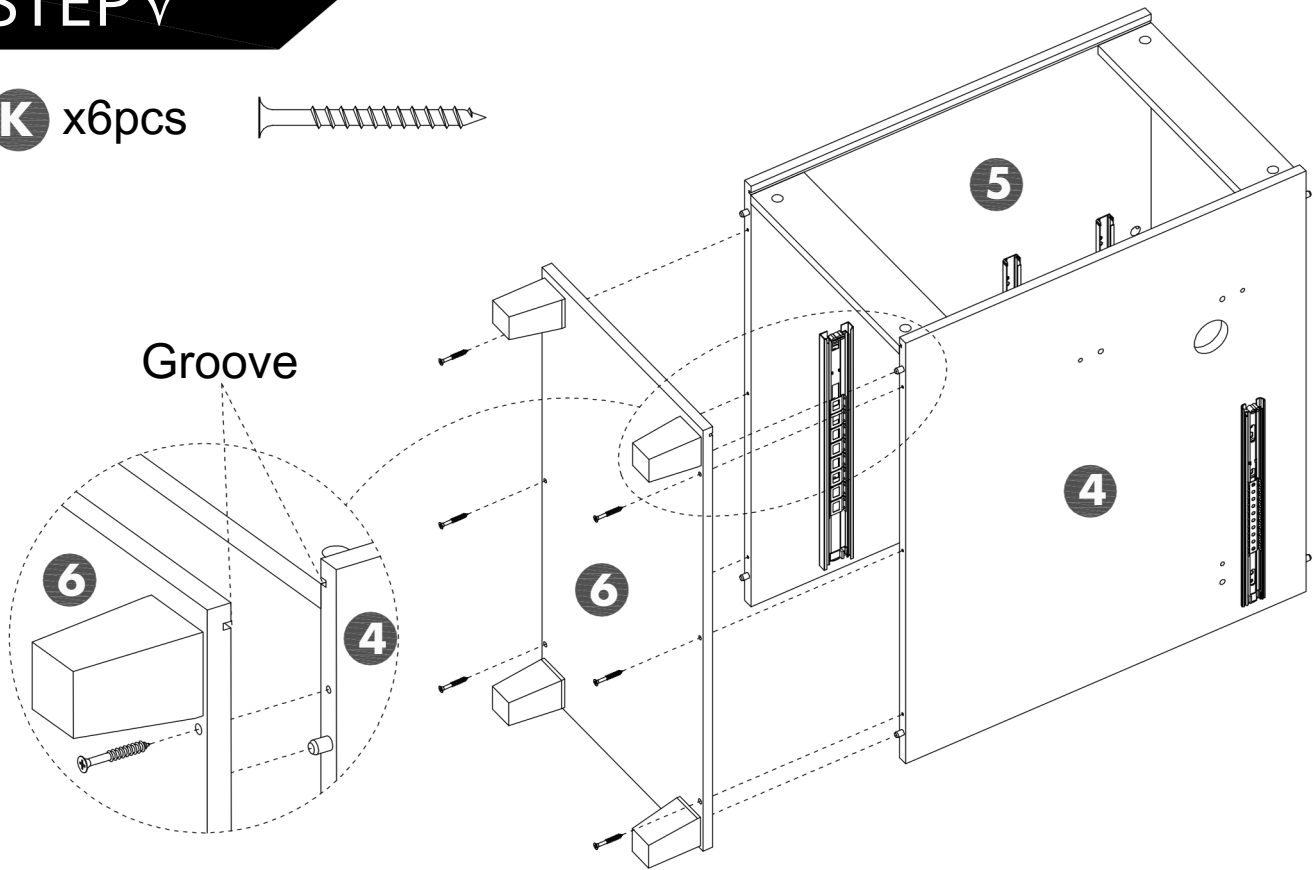
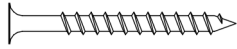
STEP 7

K x8pcs



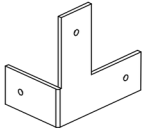
STEP V

K x6pcs

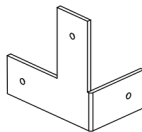


STEP A

T x1pcs



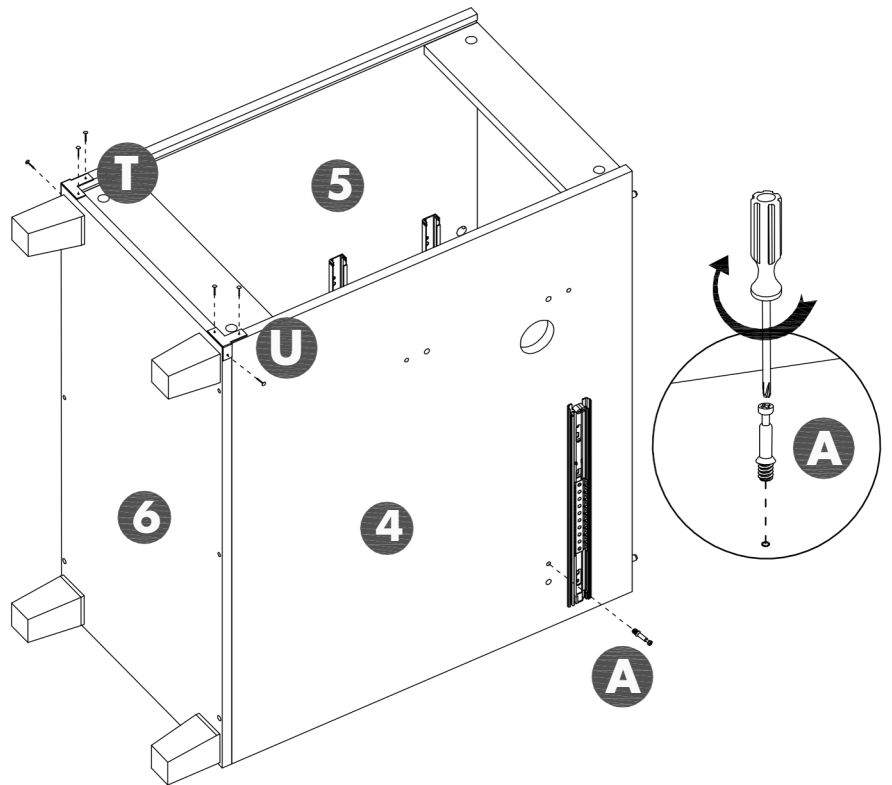
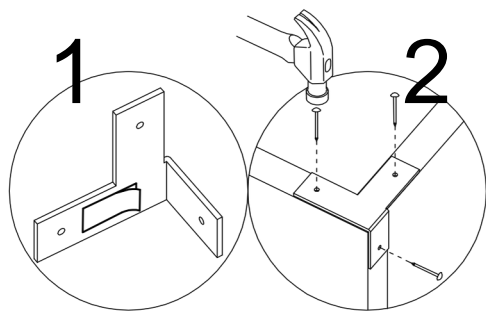
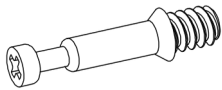
U x1pcs



Q x 6pcs



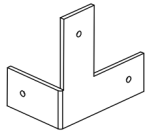
A x1pc



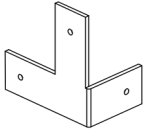
Peel off the adhesive sticker's protective paper and bond it onto the designated position before secure with nails.

STEP 9

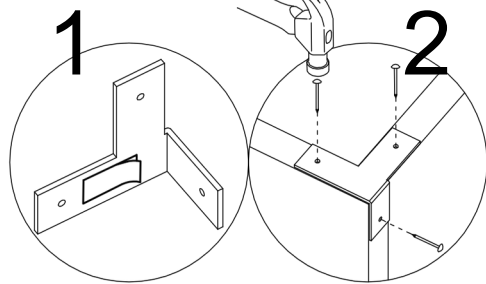
T x1pcs



U x1pcs

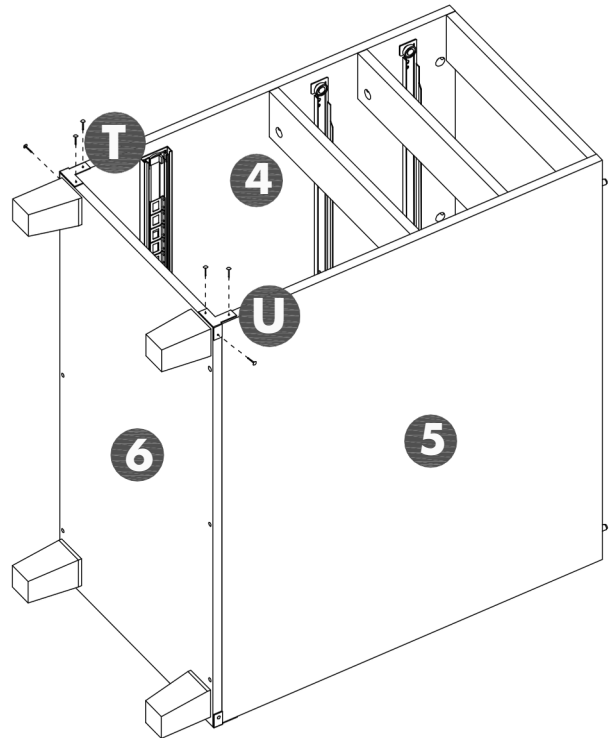


○ x6pcs



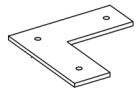
With assistant carefully flip the other side.

Peel off the adhesive sticker's protective paper and bond it onto the designated position before secure with nails.

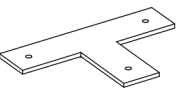


STEP 10

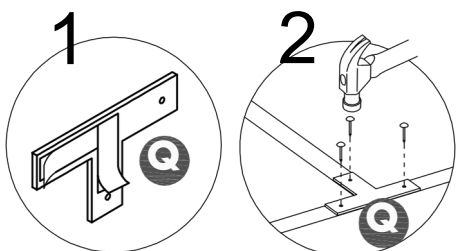
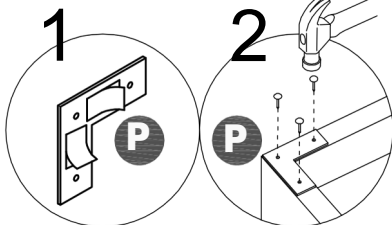
P x2pcs



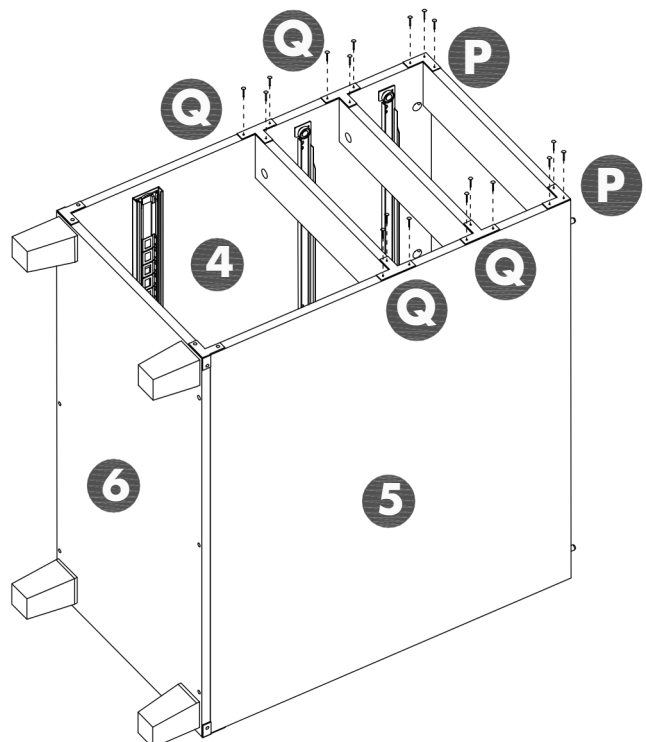
Q x4pcs



○ x18pcs

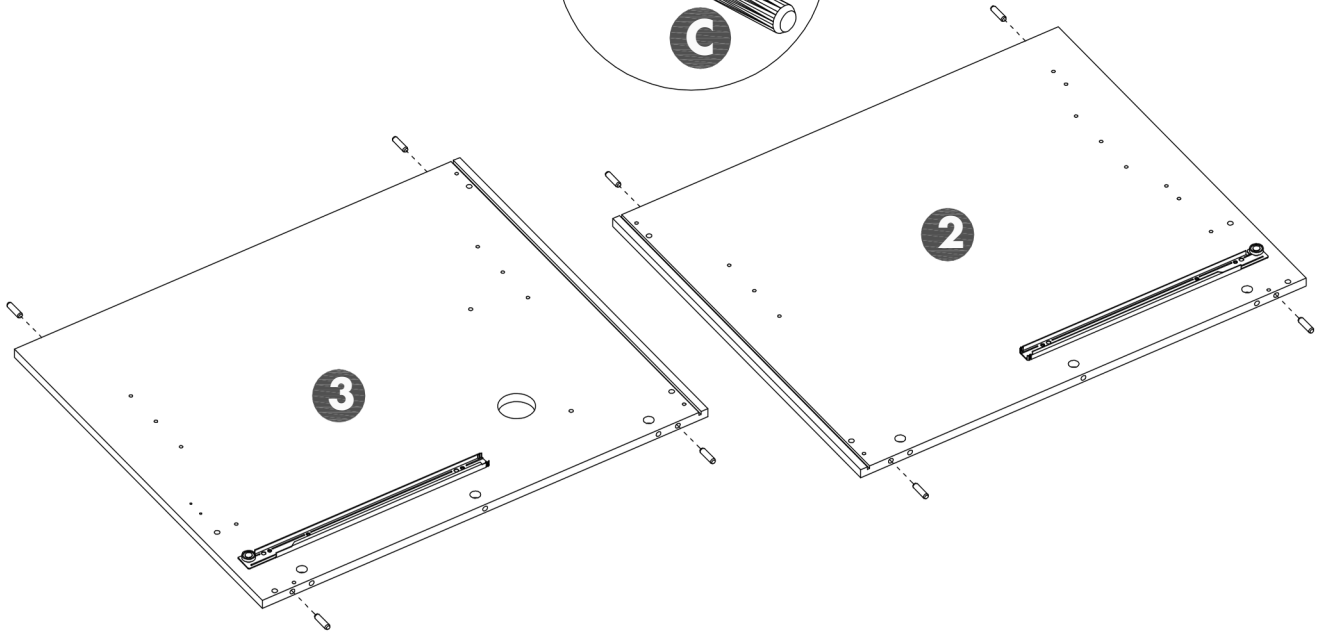
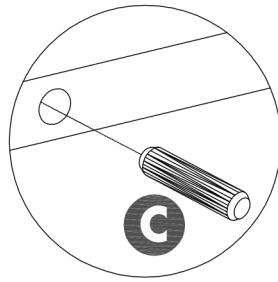


Peel off the adhesive sticker's protective paper and bond it onto the designated position before secure with nails.



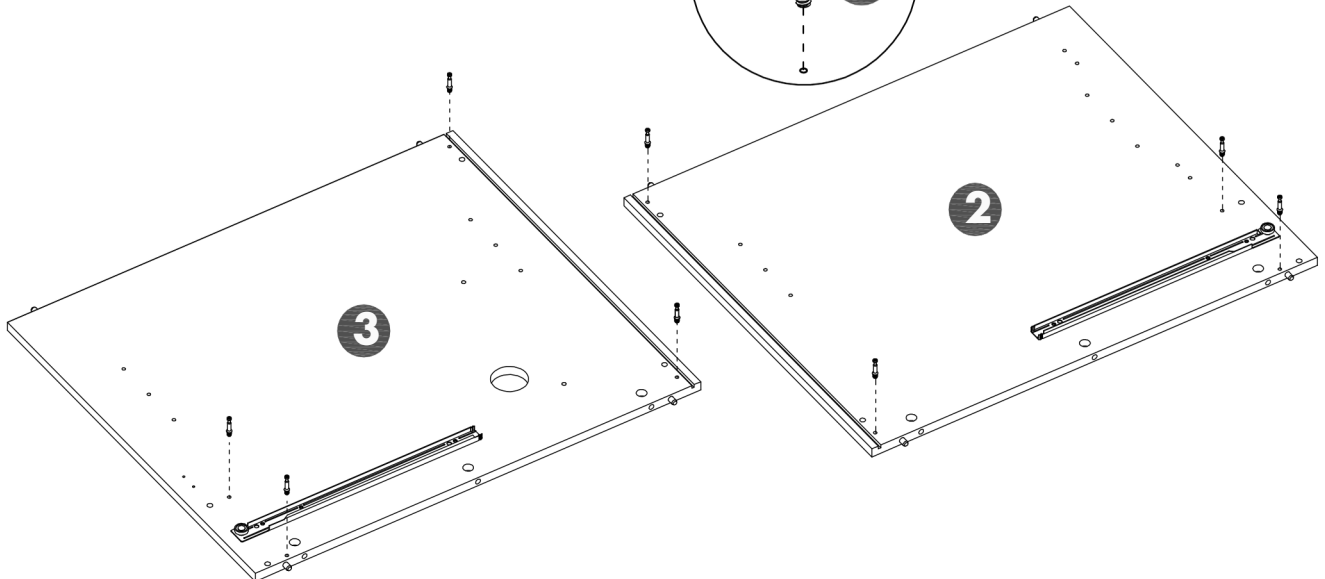
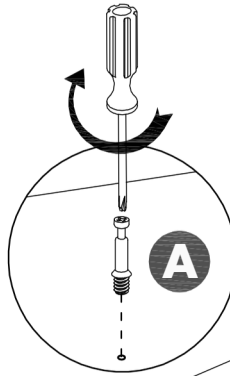
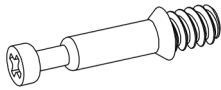
STEP 11

C x8pcs



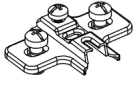
STEP 12

A x8pcs

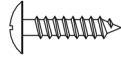


STEP 13

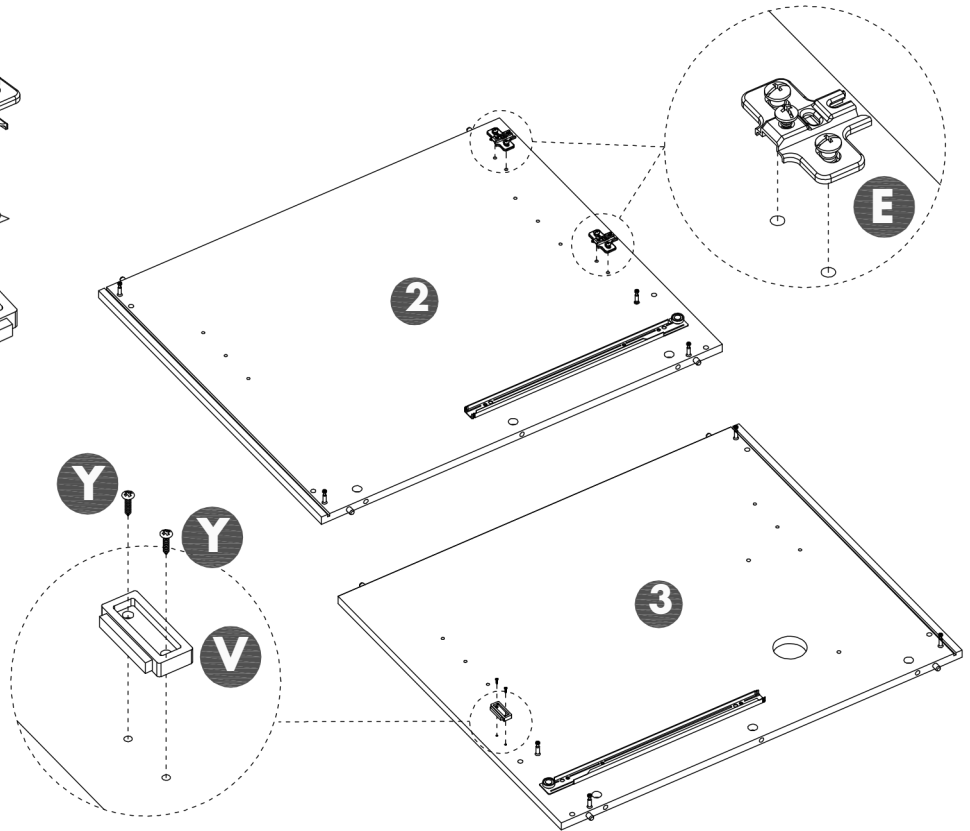
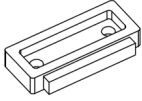
E x2pcs



Y x2pcs

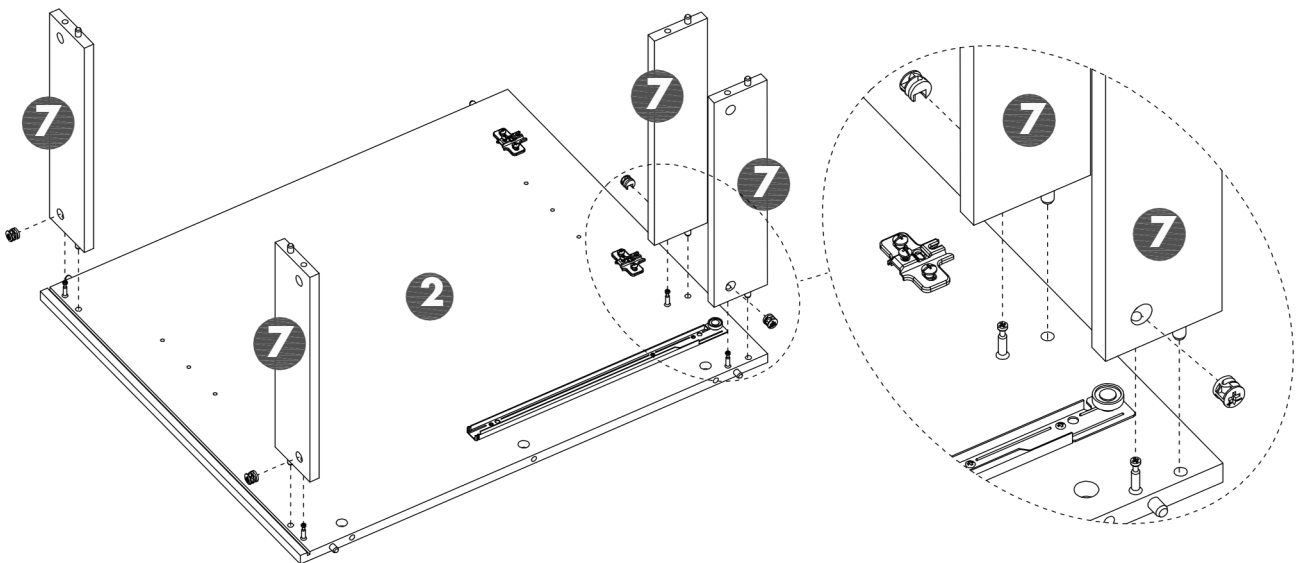
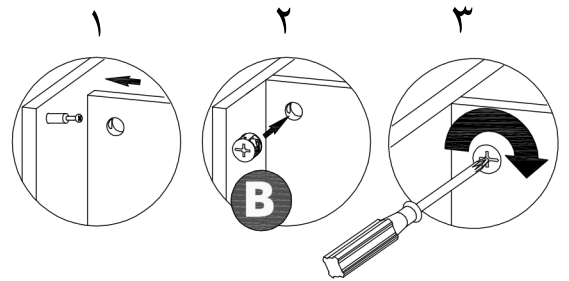


V x1pcs



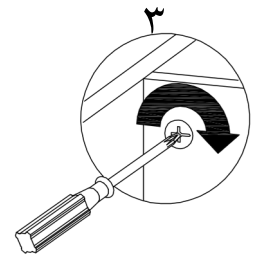
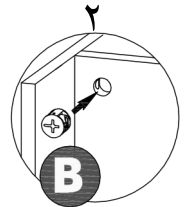
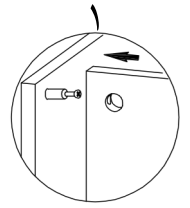
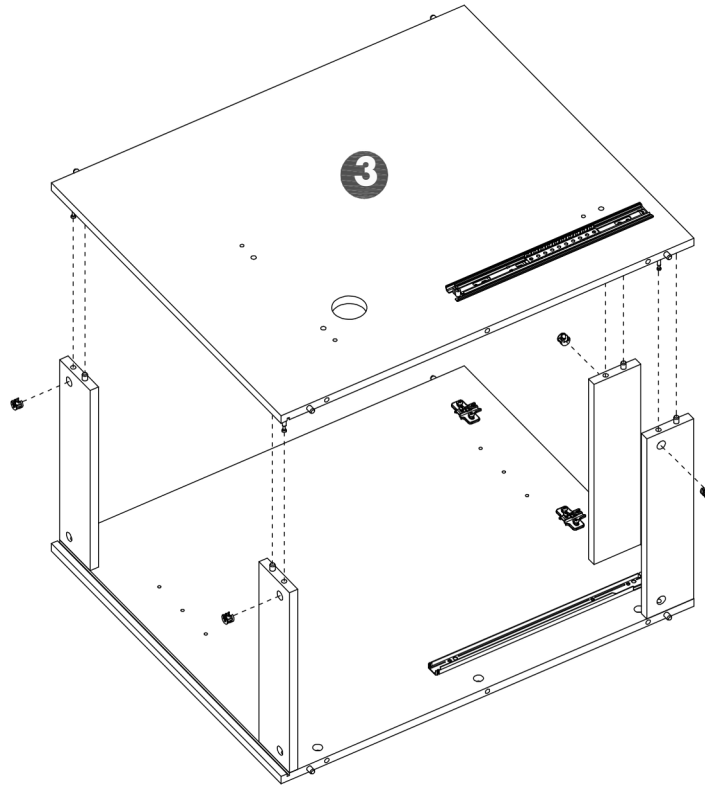
STEP 14

B x4pcs



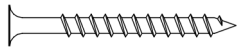
STEP 10

B x4pcs

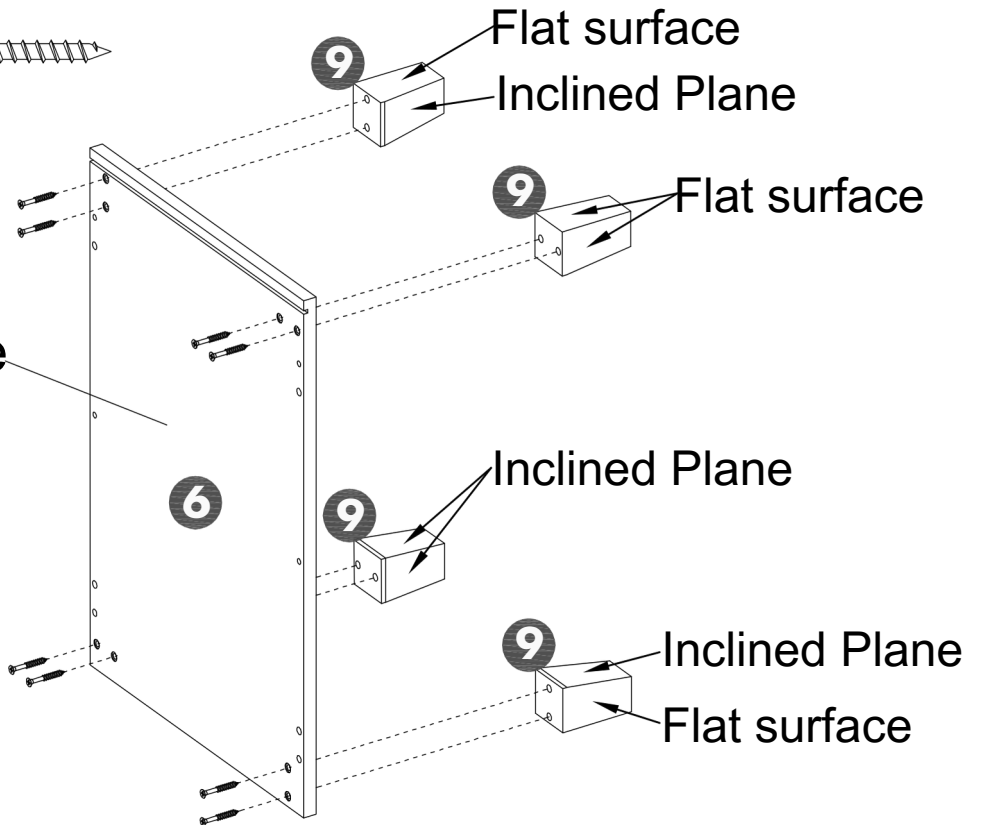


STEP 11

K x8pcs

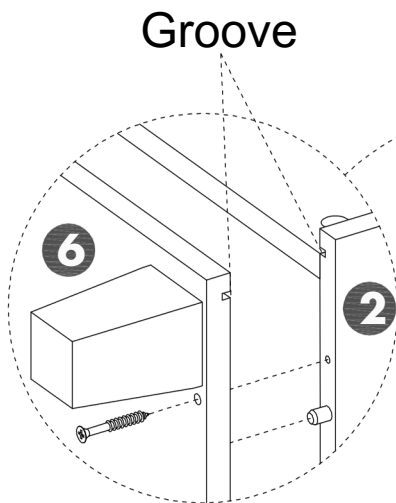
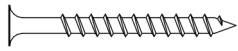


Finished Side

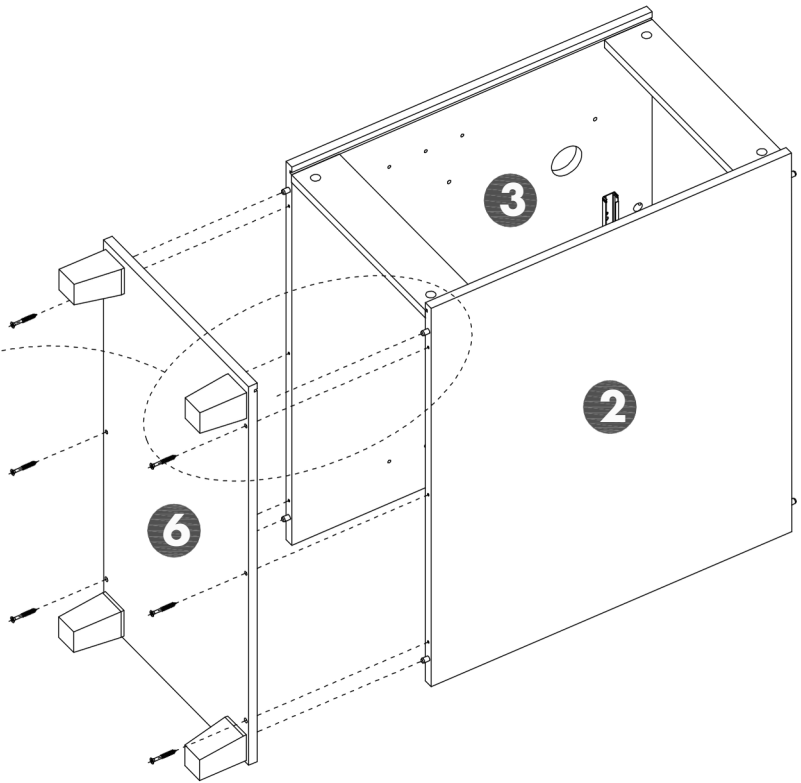


STEP 17

K x6pcs

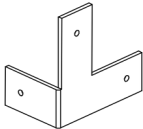


Groove

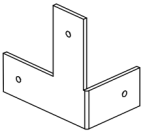


STEP 18

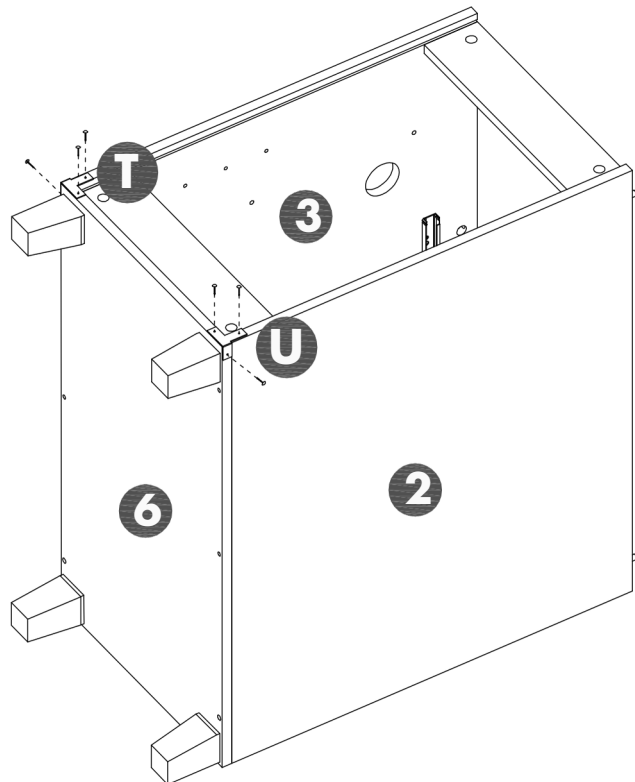
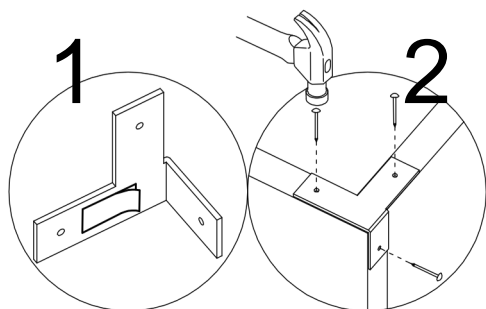
T x1pcs



U x1pcs



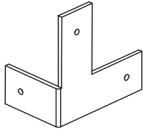
O x6pcs



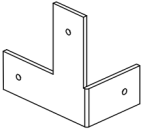
Peel off the adhesive sticker's protective paper and bond it onto the designated position before secure with nails.

STEP 19

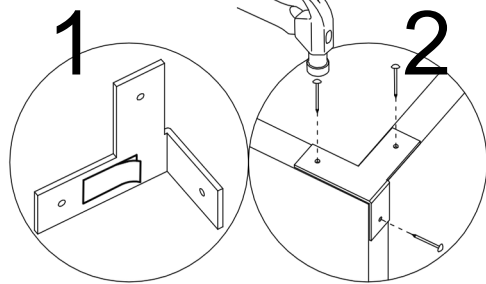
T x1pcs



U x1pcs

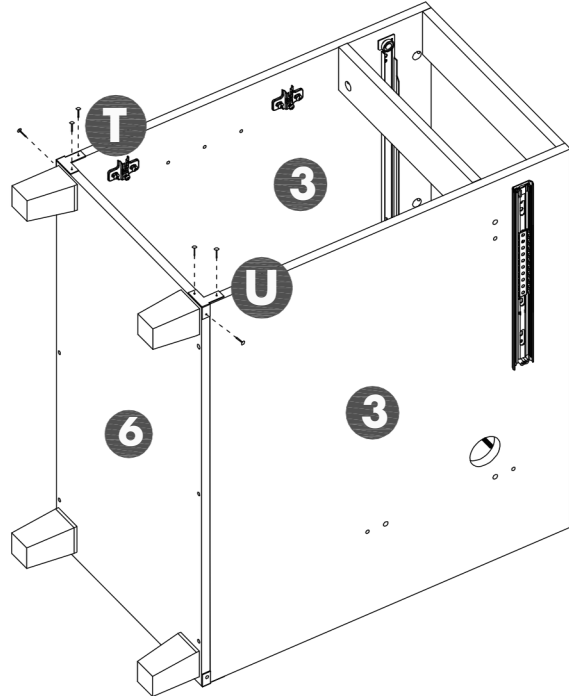


○ x6pcs



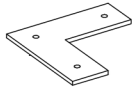
With assistant carefully flip the other side.

Peel off the adhesive sticker's protective paper and bond it onto the designated position before secure with nails.

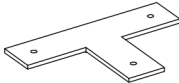


STEP 20

P x2pcs



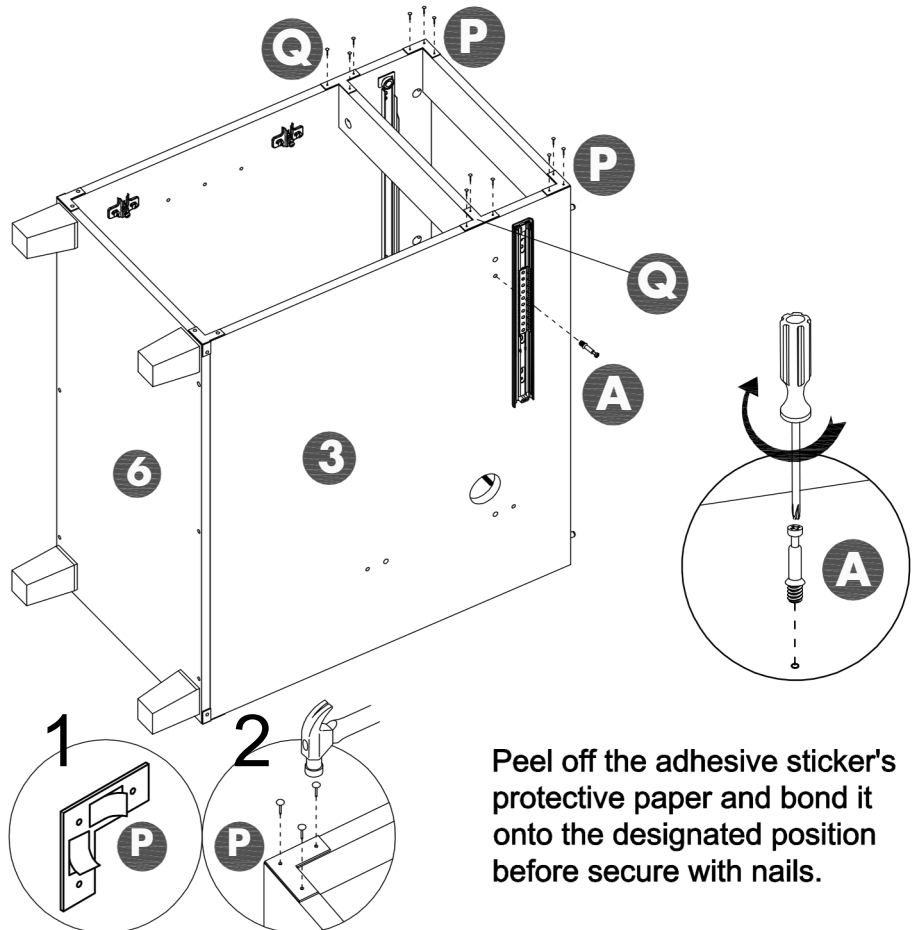
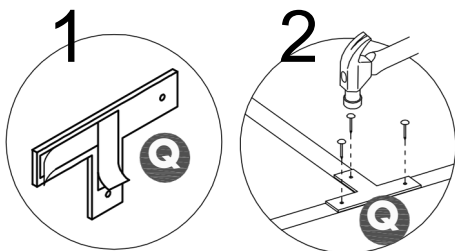
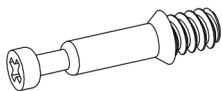
Q x2pcs



○ x12pcs



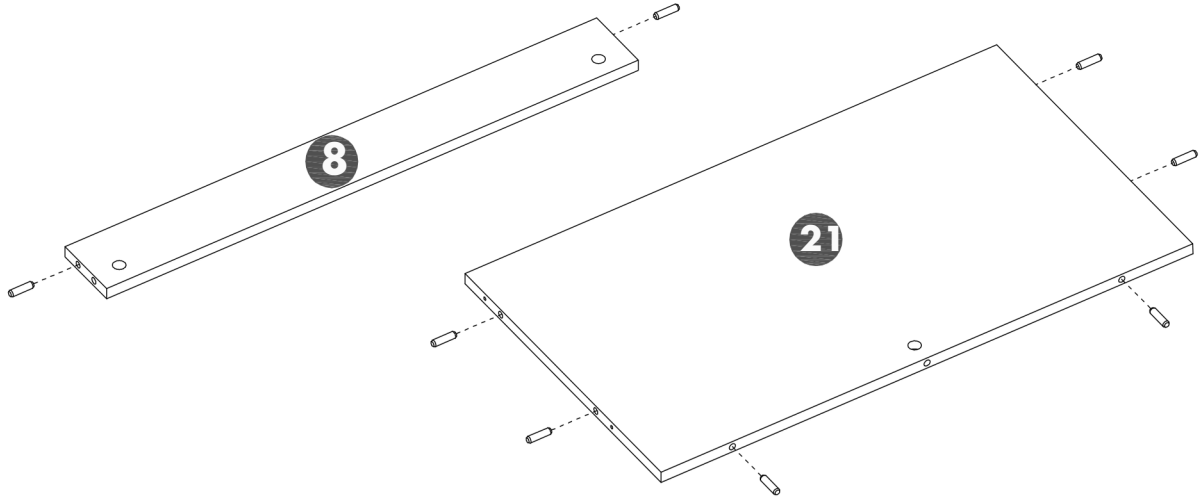
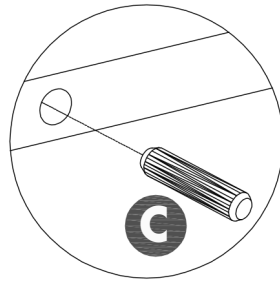
A x1pc



Peel off the adhesive sticker's protective paper and bond it onto the designated position before secure with nails.

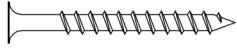
STEP 21

C x8pcs

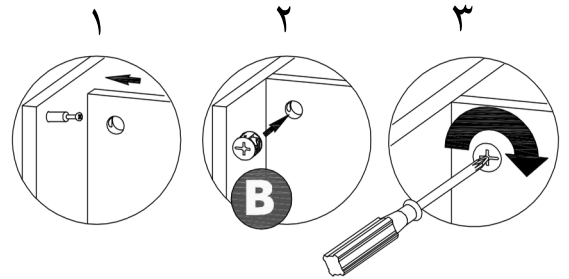


STEP 22

K x2pcs

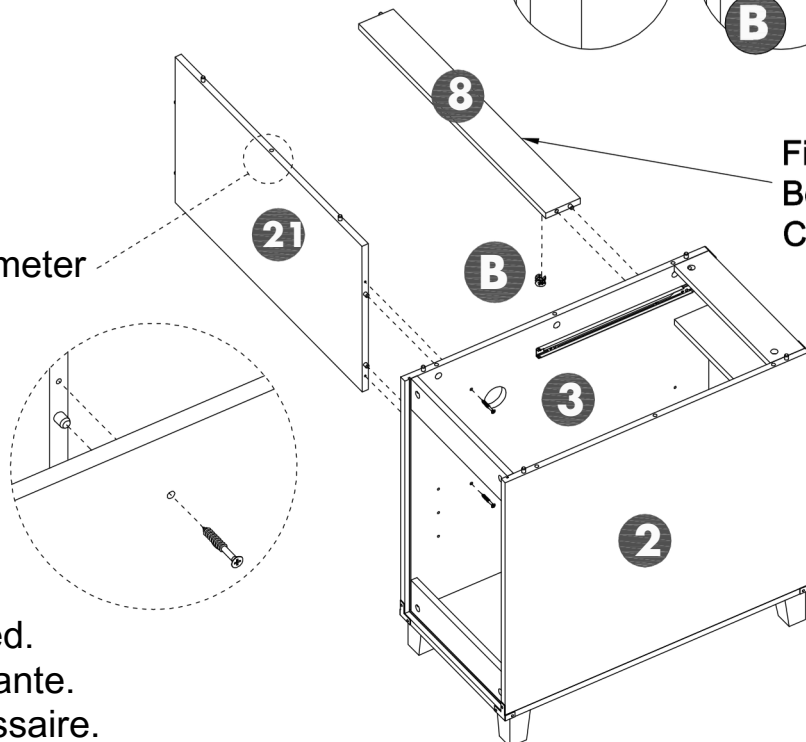


B x1pc



Holes 15 mm in diameter
face the other side

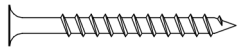
Finished edge
Borde terminado
Cote fini



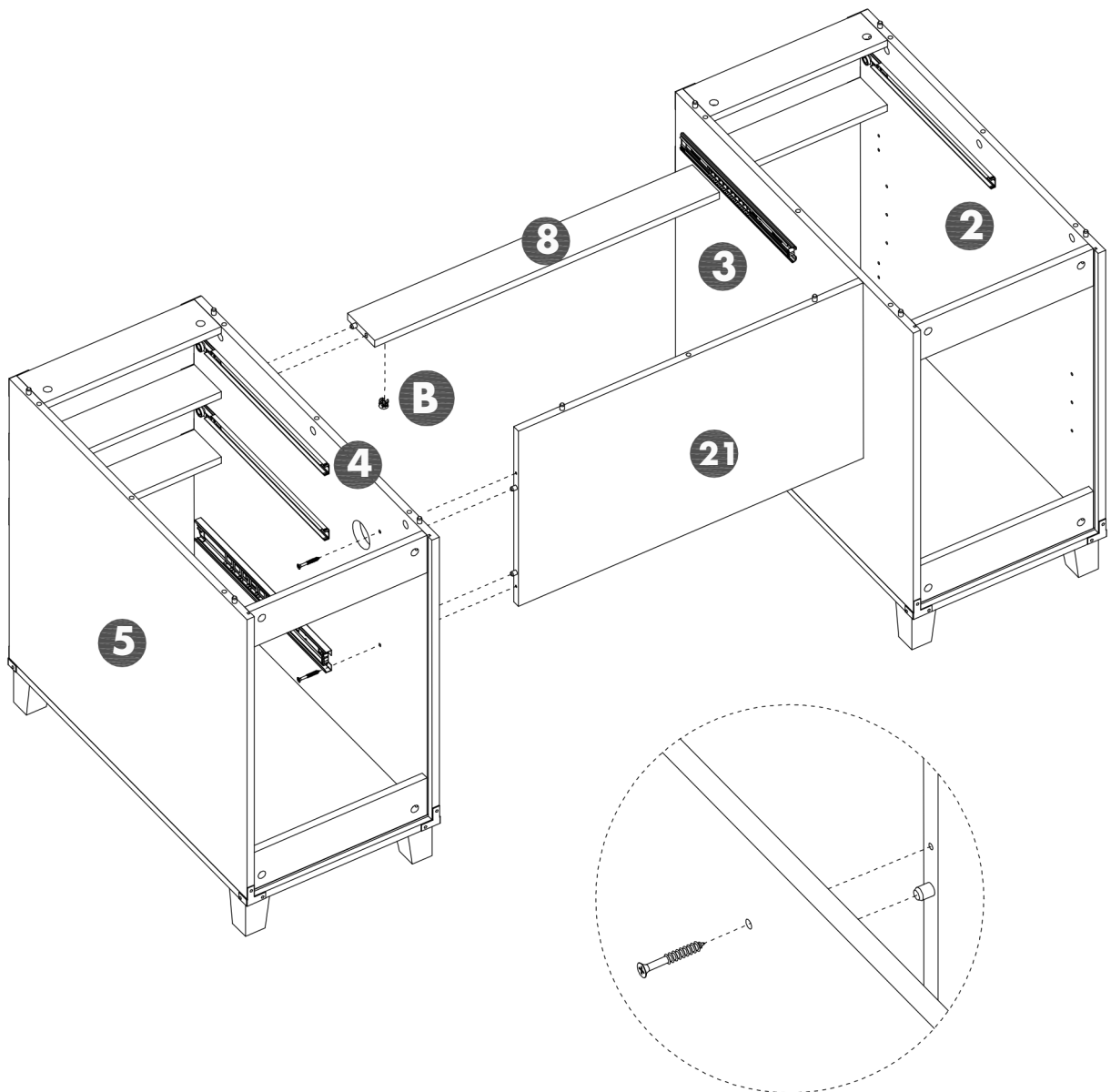
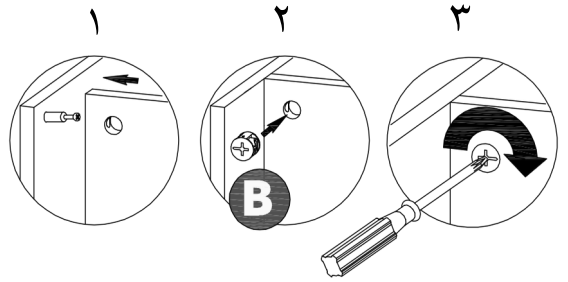
An assistant is required.
Es necesario un ayudante.
Un assistant est nécessaire.

STEP 23

K x2pcs

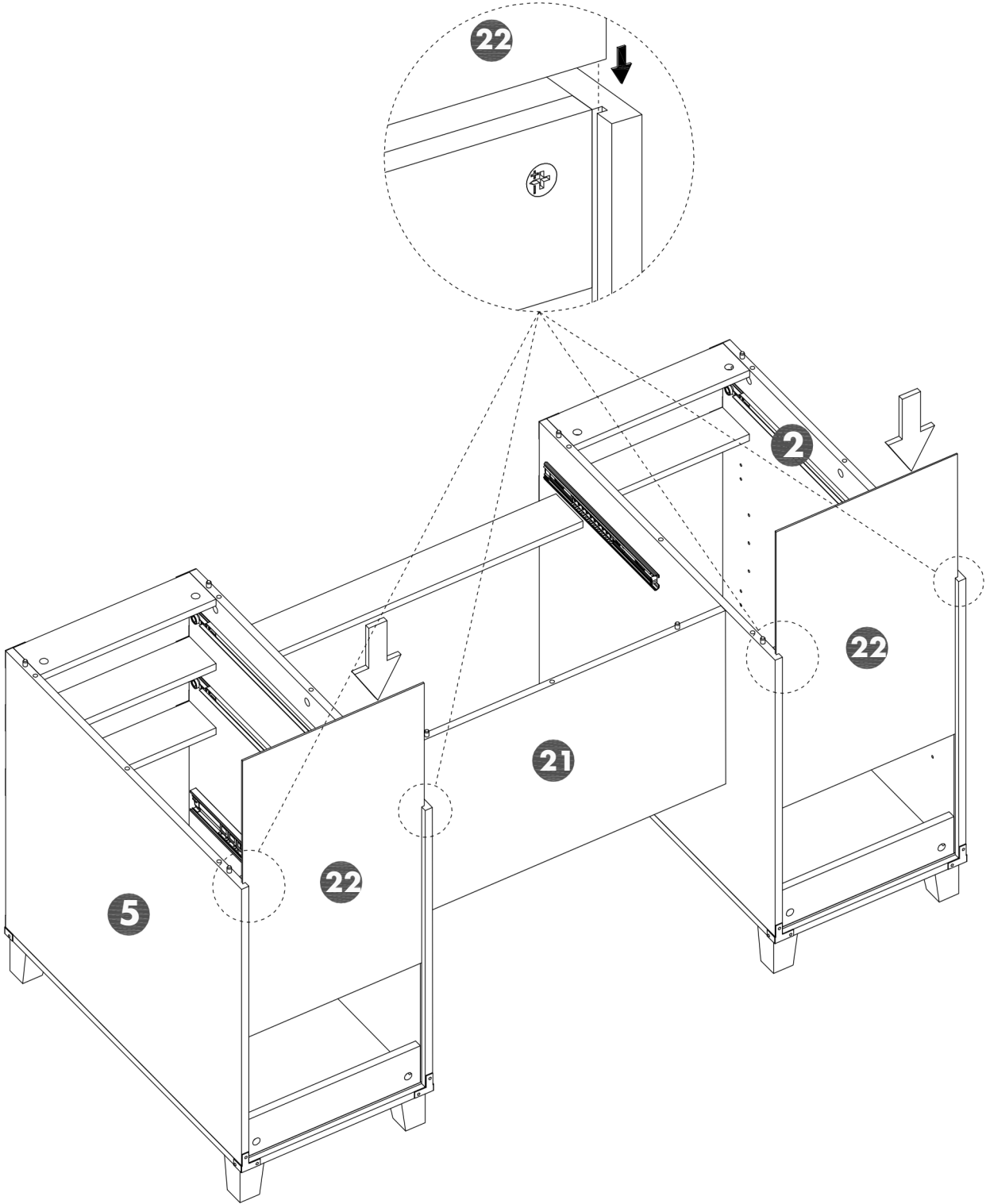


B x1pc



An assistant is required.
Es necesario un ayudante.
Un assistant est nécessaire.

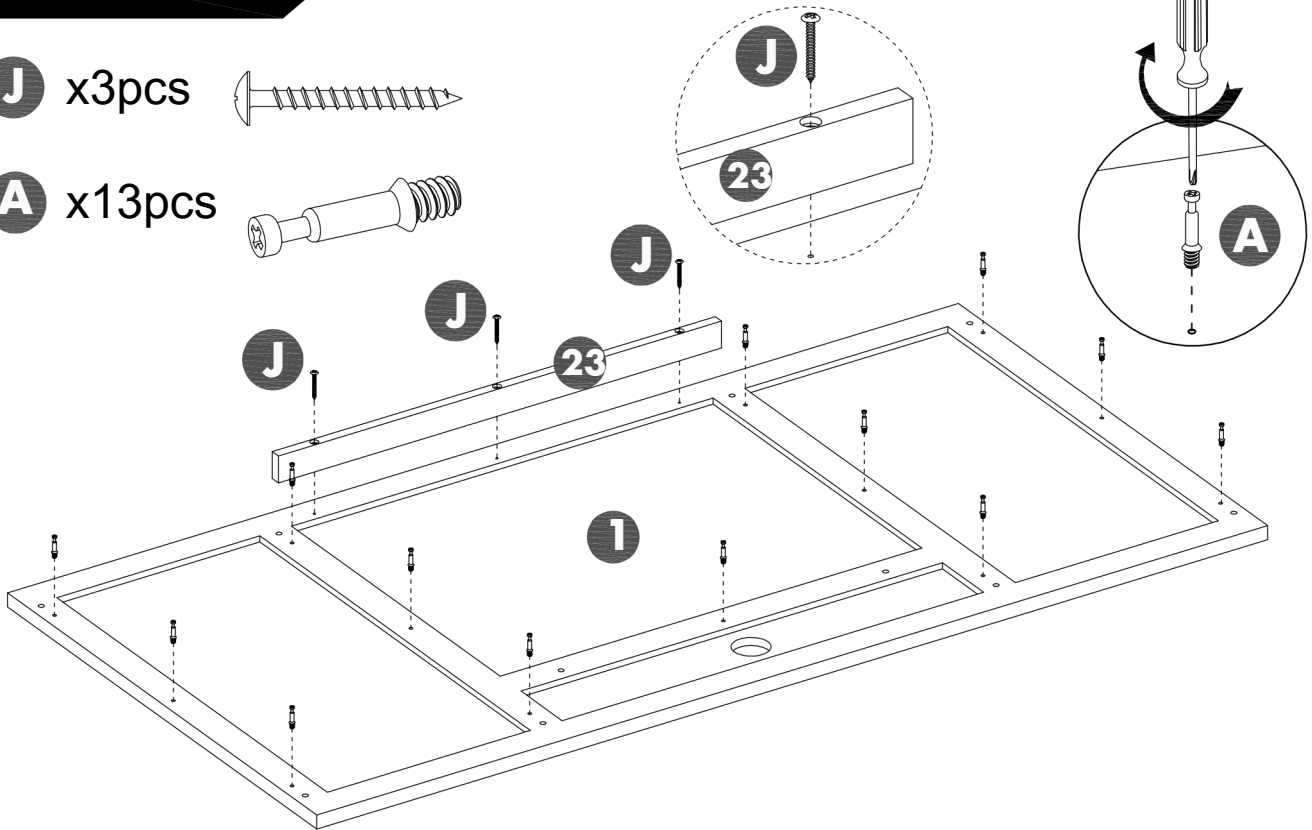
STEP 24




STEP 25

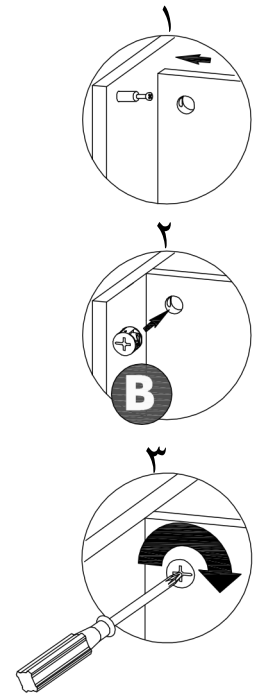
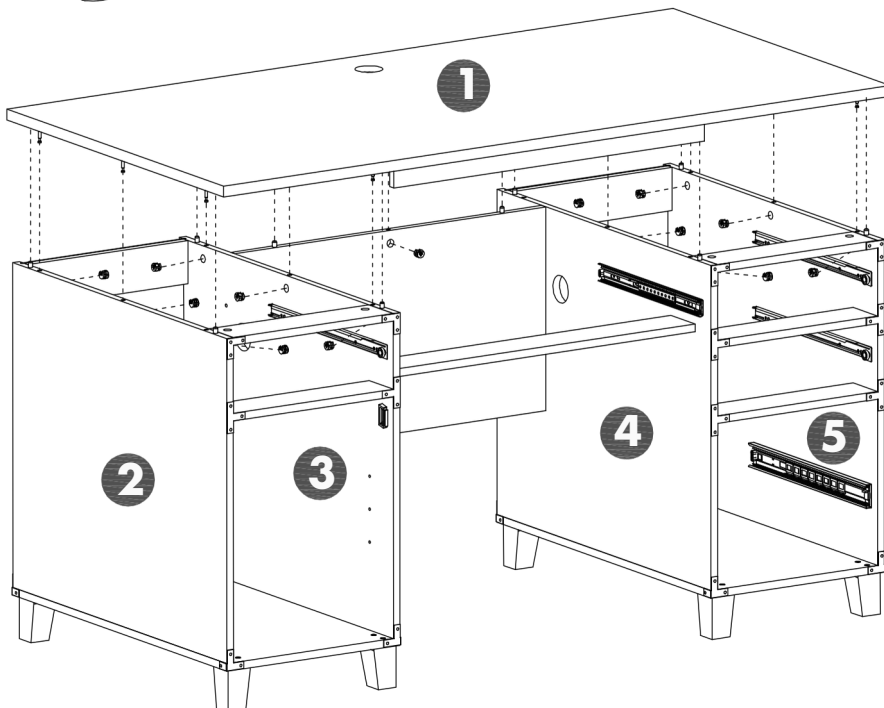
J x3pcs 

A x13pcs 



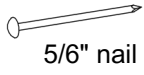
STEP 26

B x13pcs 

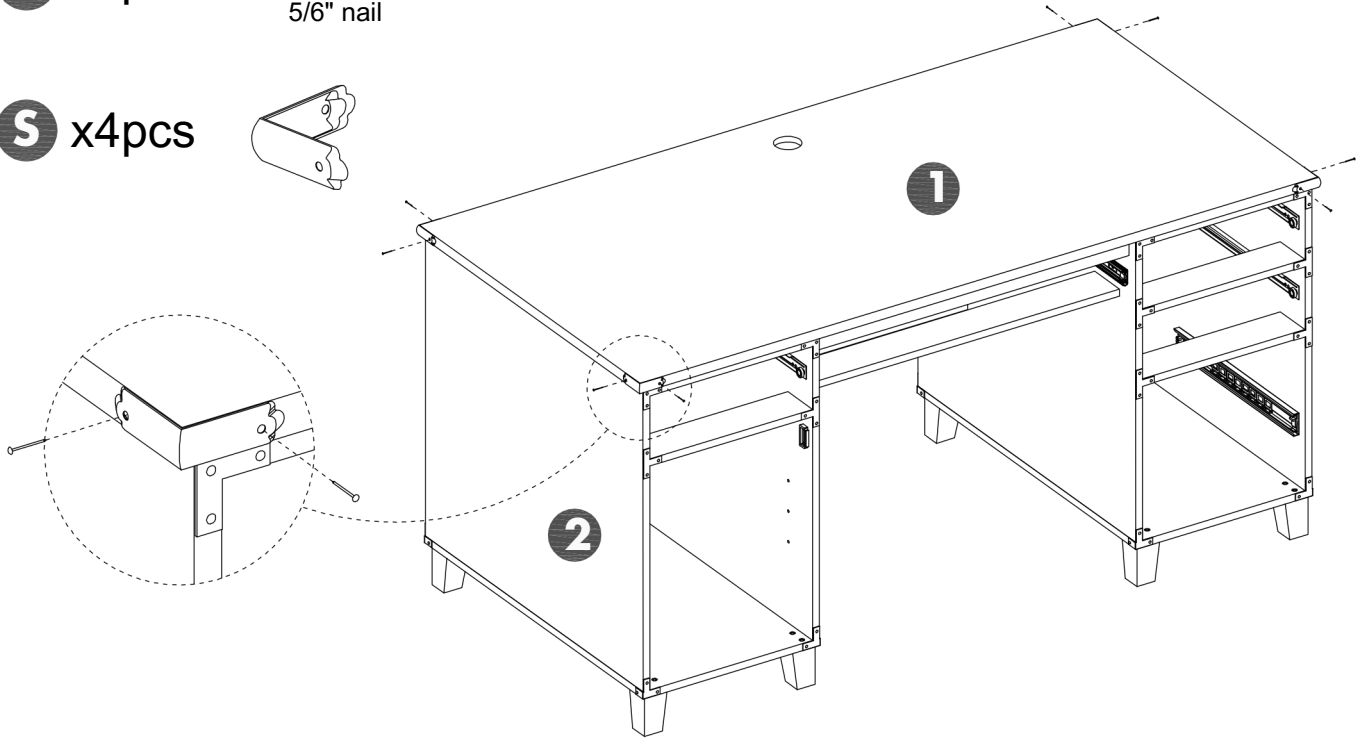
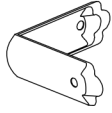


STEP 27

R x8pcs

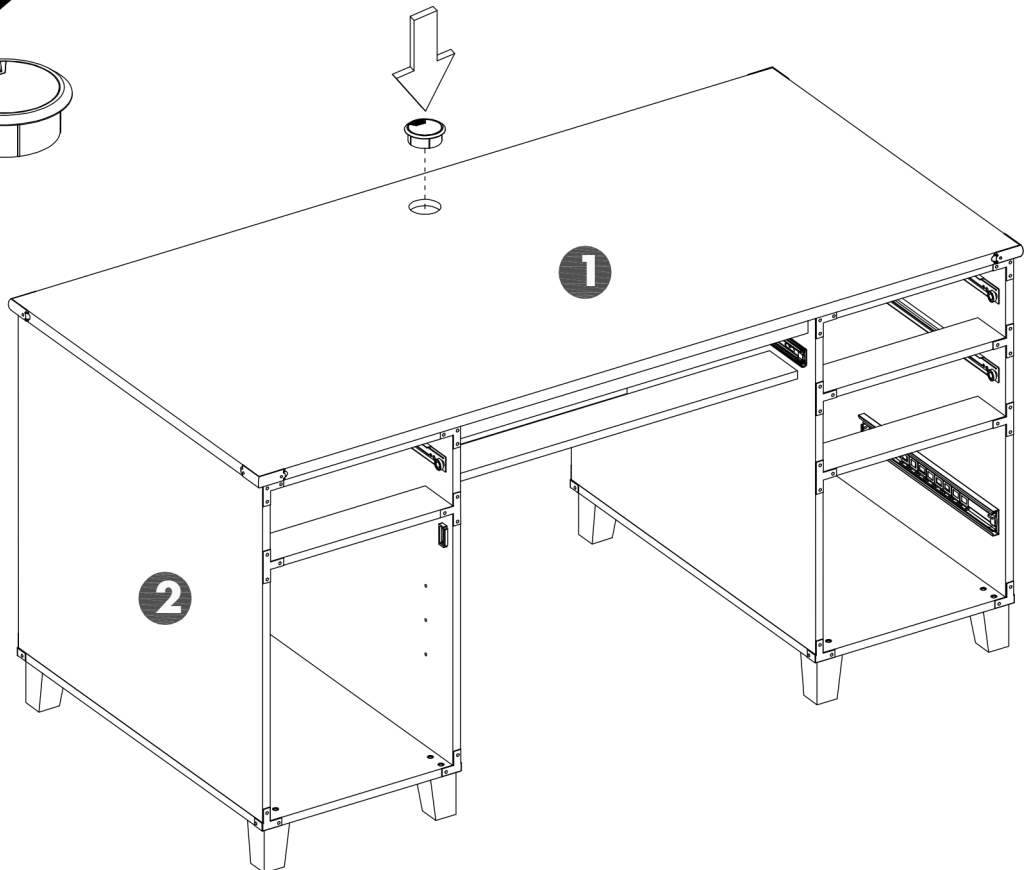
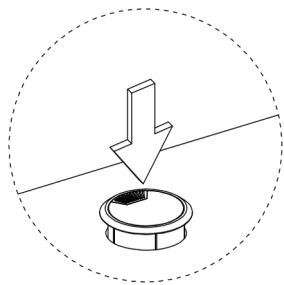
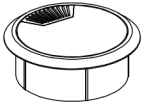


S x4pcs



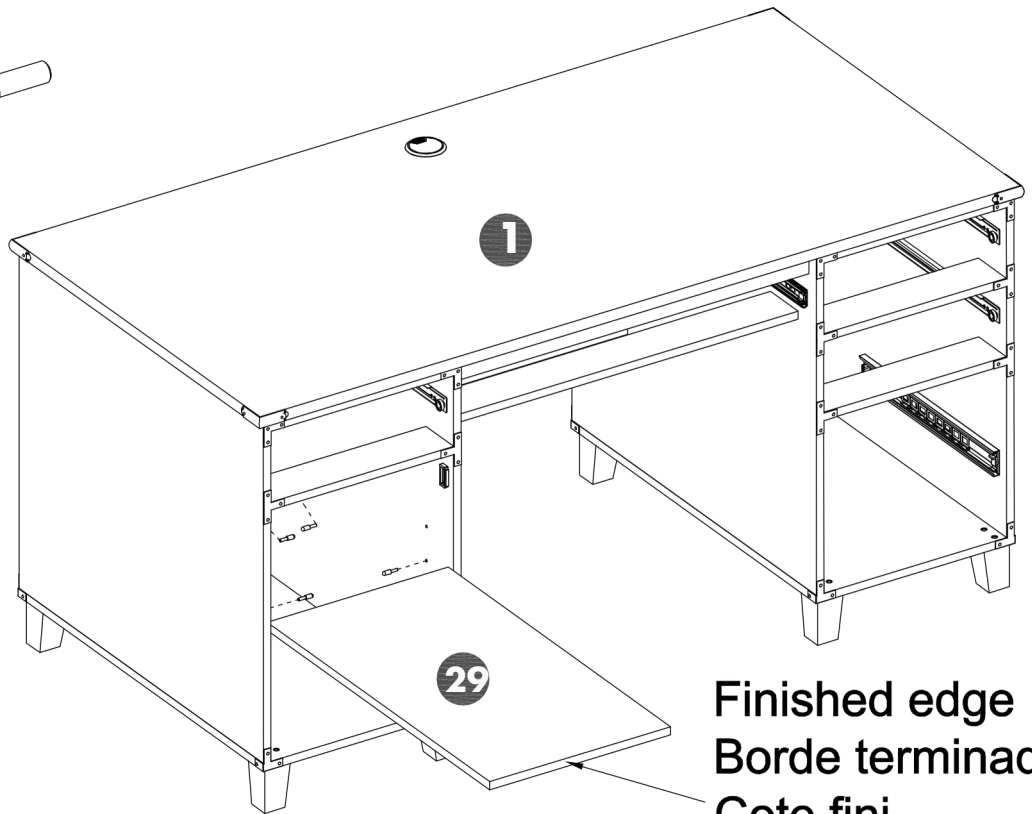
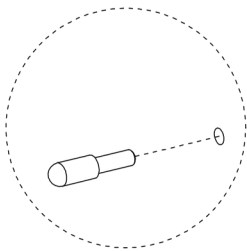
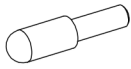
STEP 28

I x1pcs



STEP 29

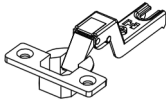
W x4pcs



Finished edge
Borde terminado
Cote fini

STEP 30

D x2pcs



Z x4pcs



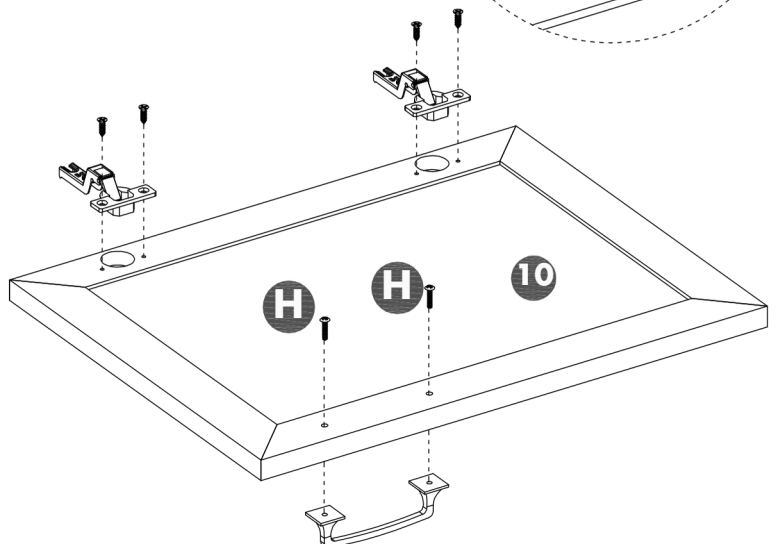
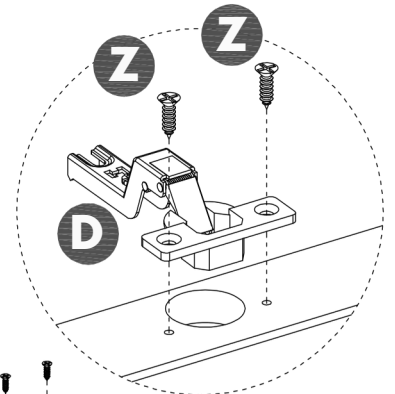
F x1pcs



H x2pcs



1" Screw

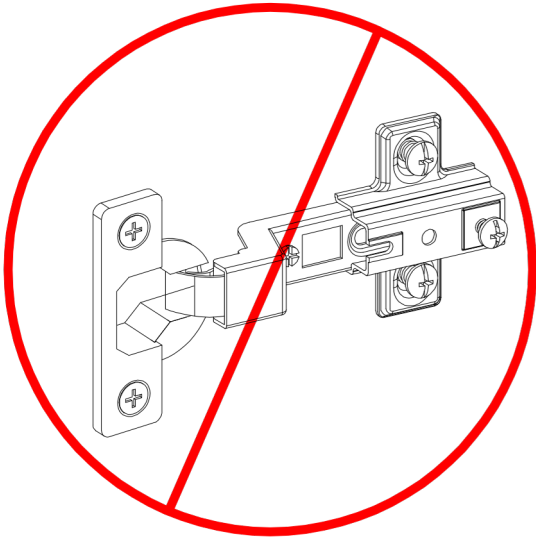


WARNING

Caution, Storing electronic equipment may result in equipment overheating.
Shelves located behind doors are not intended for storing electronic equipment. Placing electronic equipment in this area may result in equipment overheating

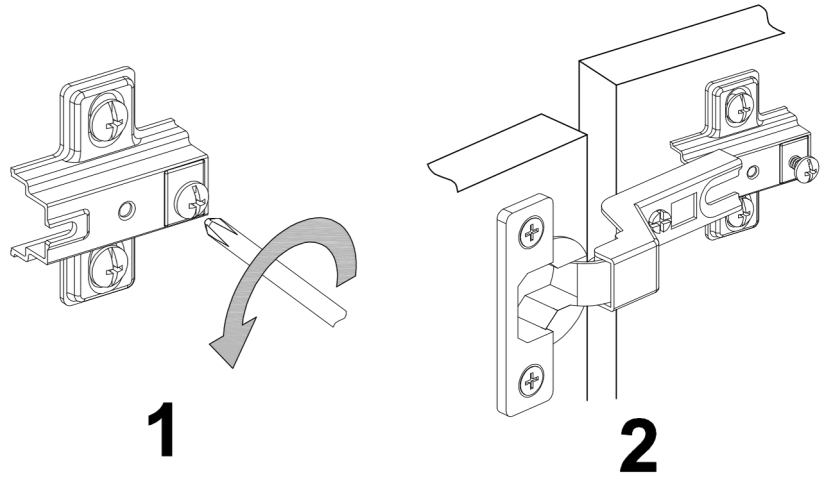
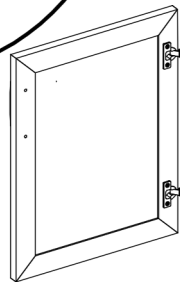
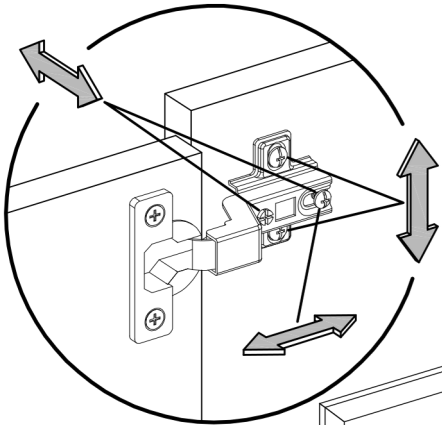
STEP 31

Installation



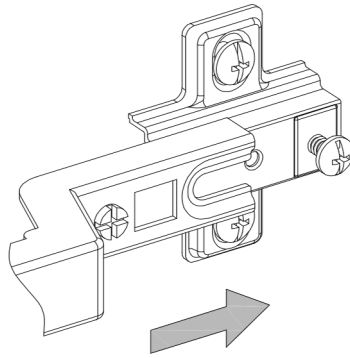
**DO NOT Insert
Hinge beneath mount**

Adjustment



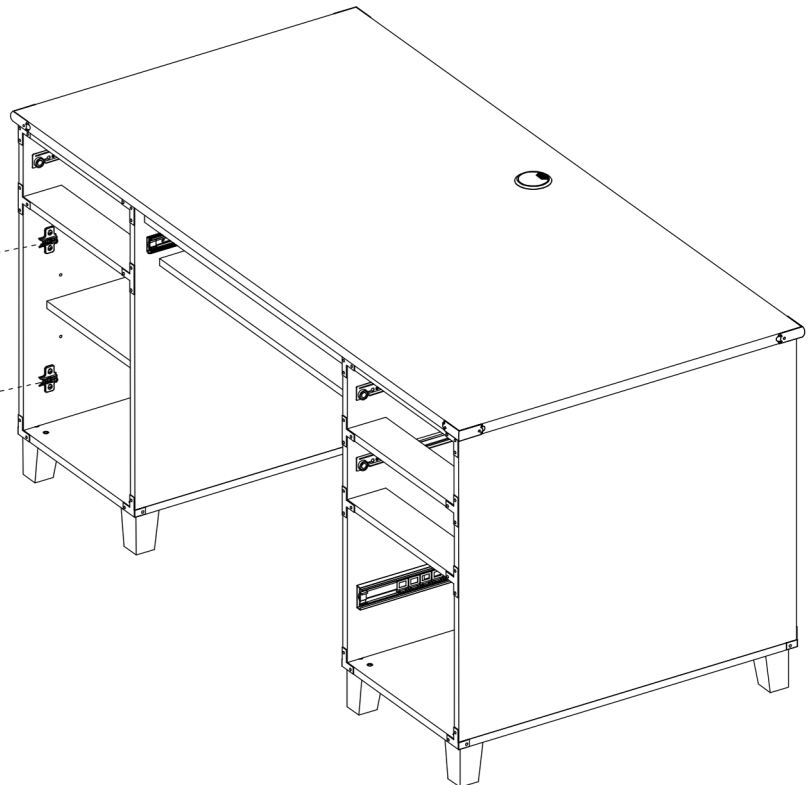
1

2



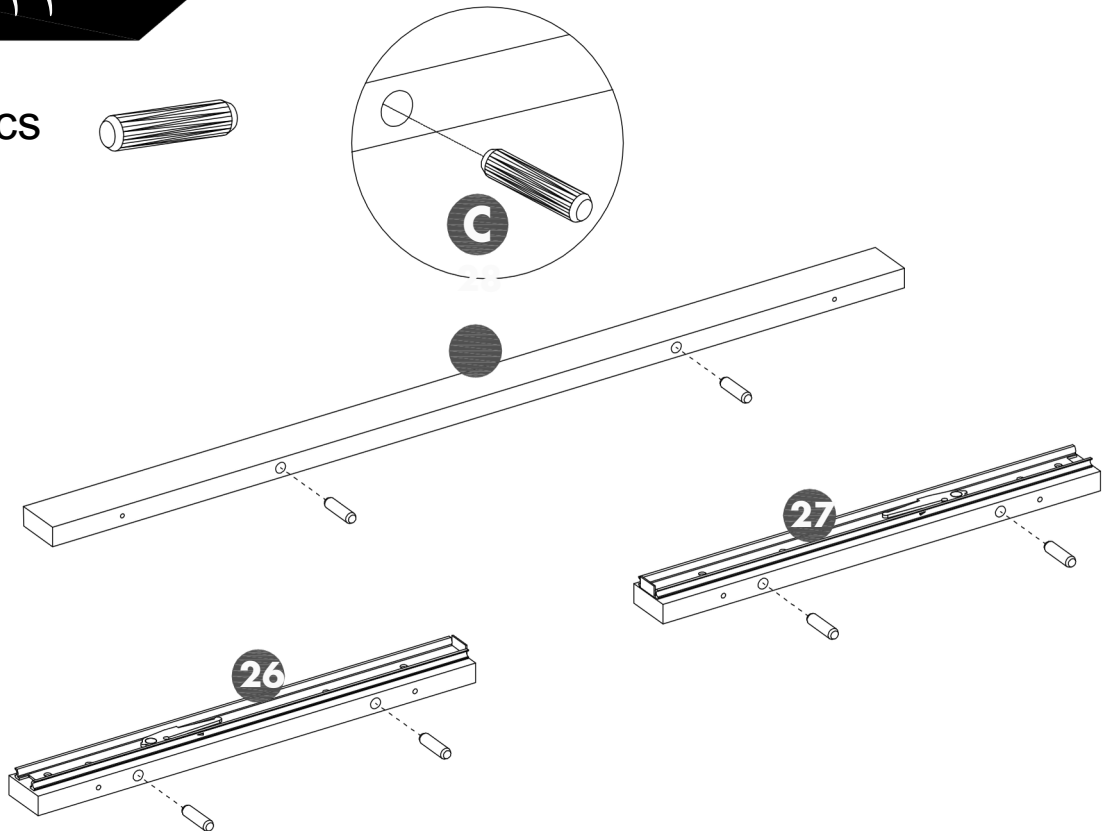
3

4



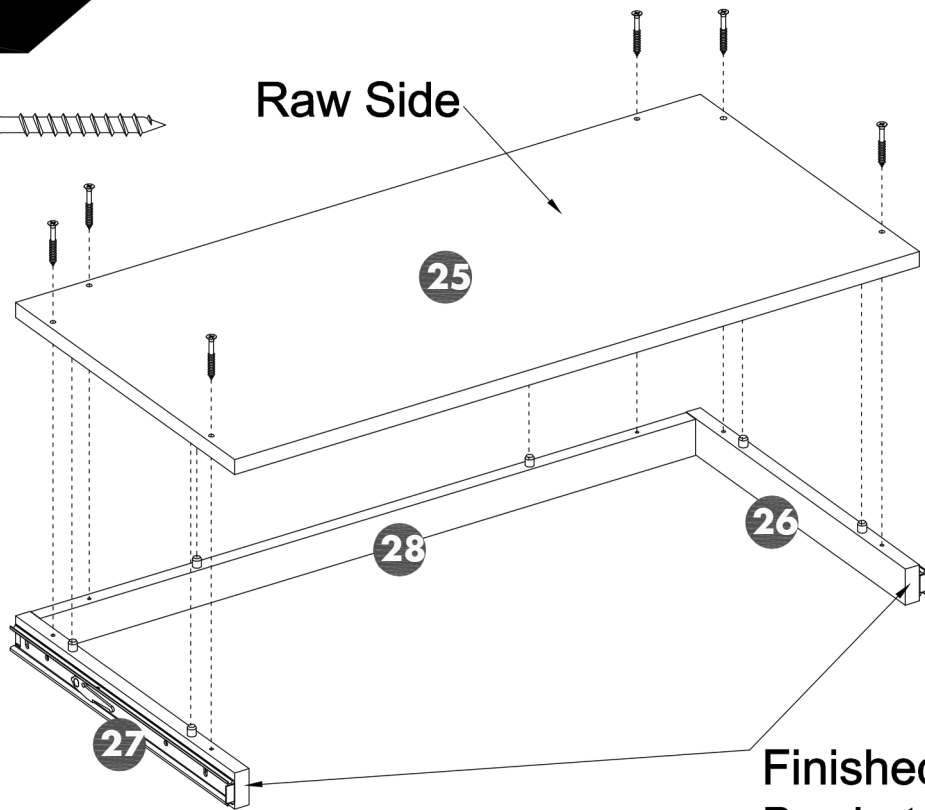
STEP 32

C x6pcs



STEP 33

L x6pcs



Finished edge
Borde terminado
Cote fini

STEP 34

AA x2pcs



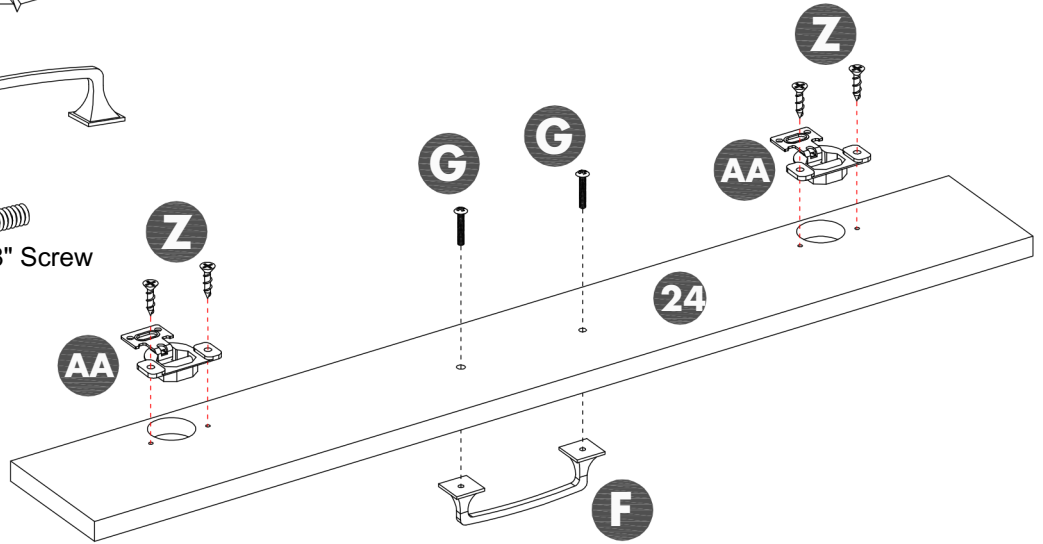
Z x4pcs



F x1pcs



G x2pcs

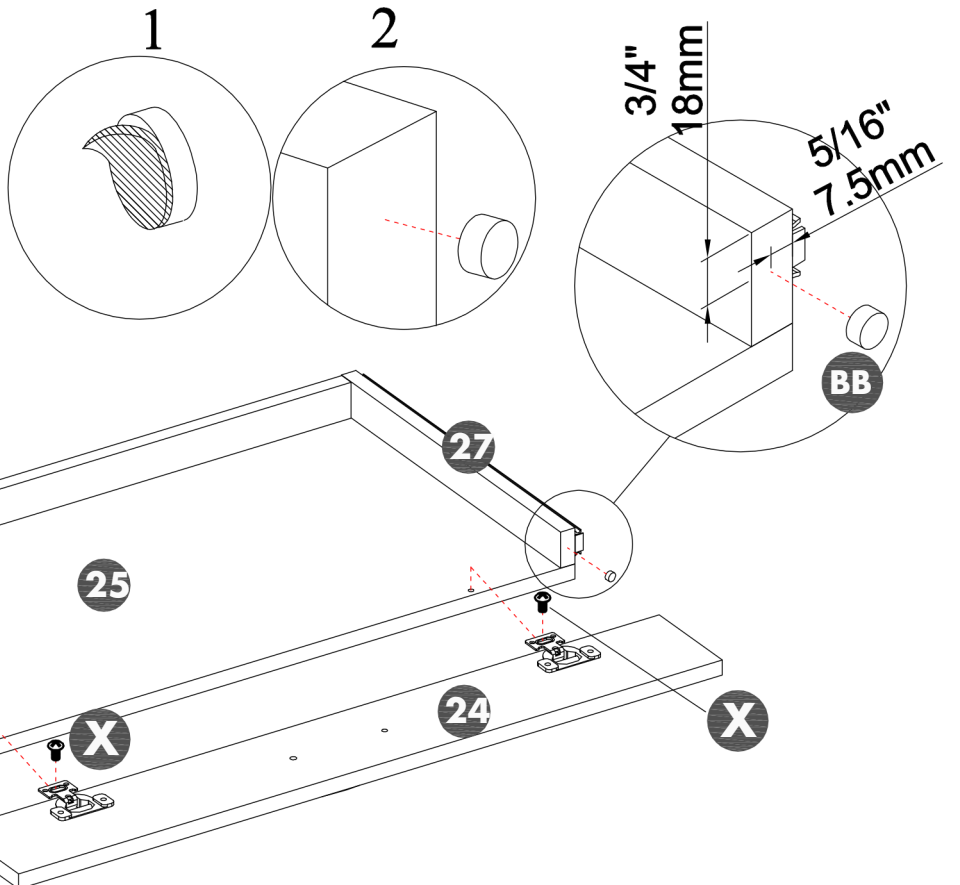
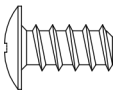


STEP 35

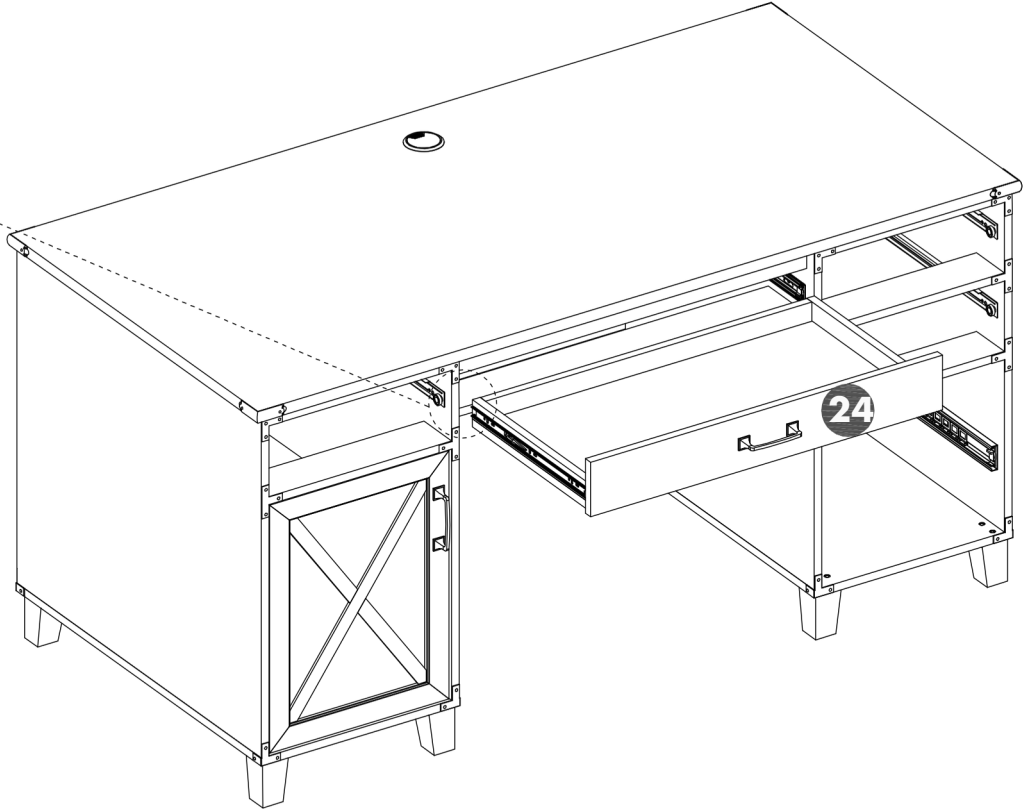
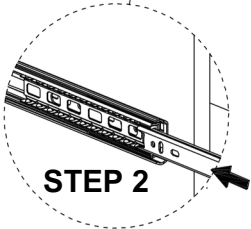
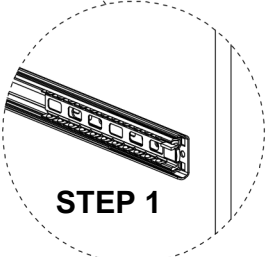
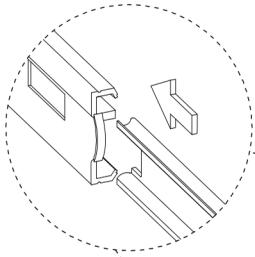
BB x2pcs



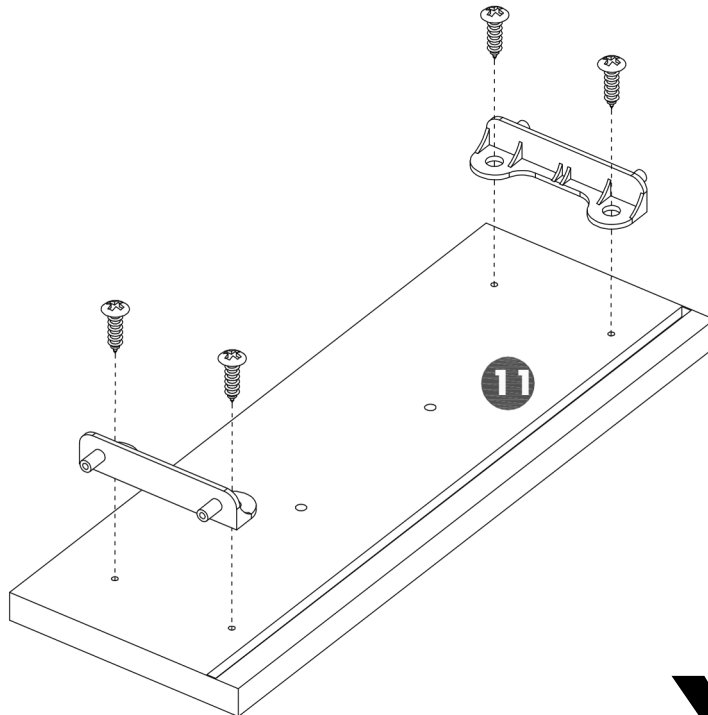
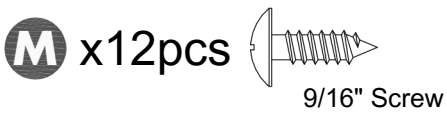
X x2pcs



STEP 36



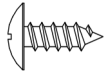
STEP 37



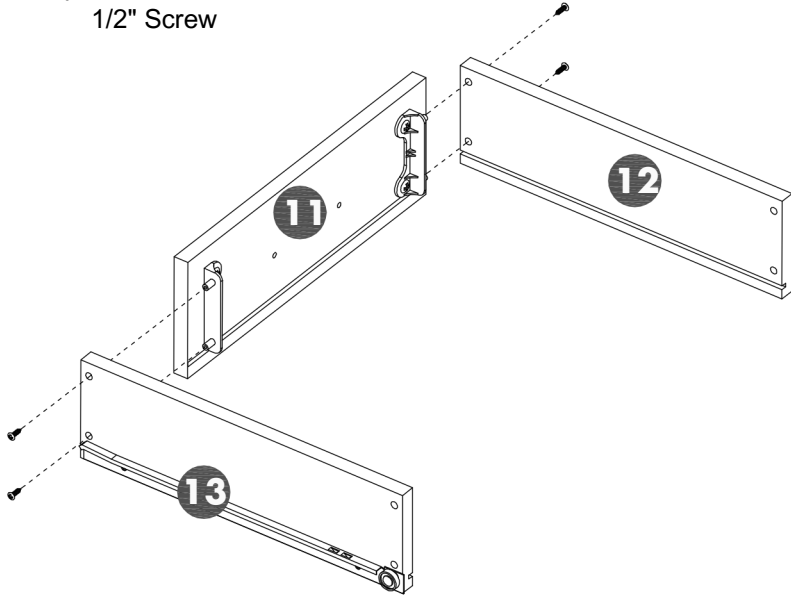
X3

STEP 38

N x12pcs



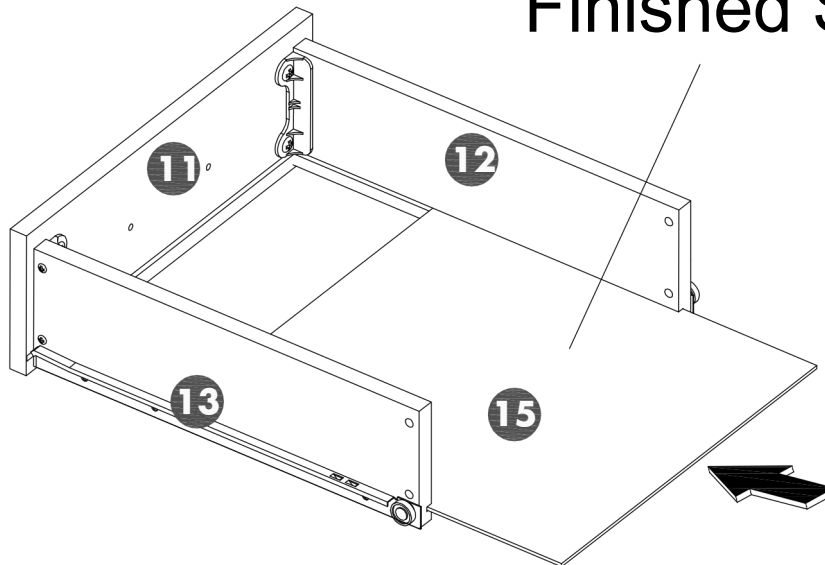
1/2" Screw



X3

STEP 39

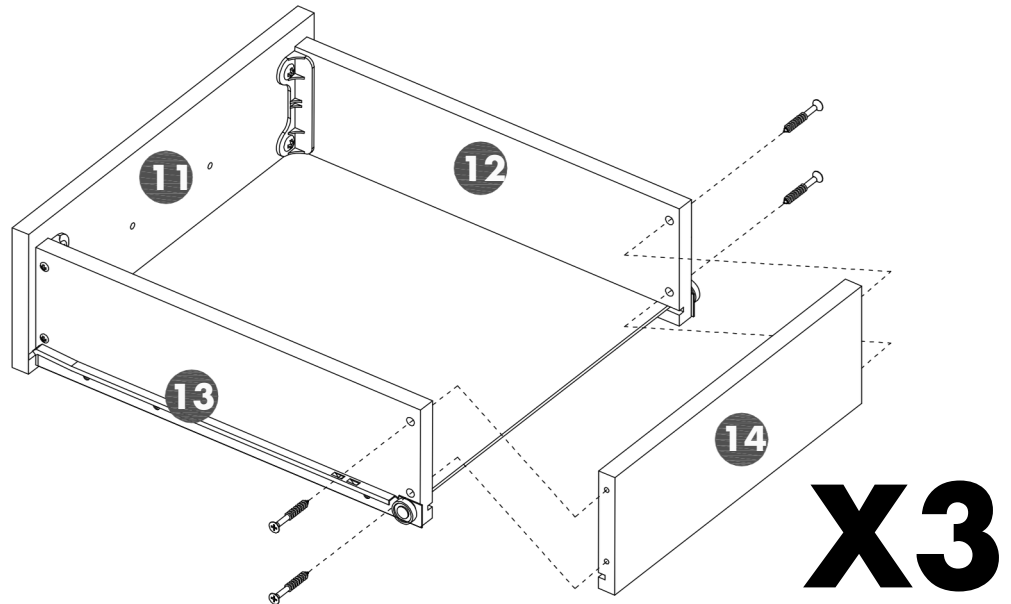
Finished Side



X3

STEP 4

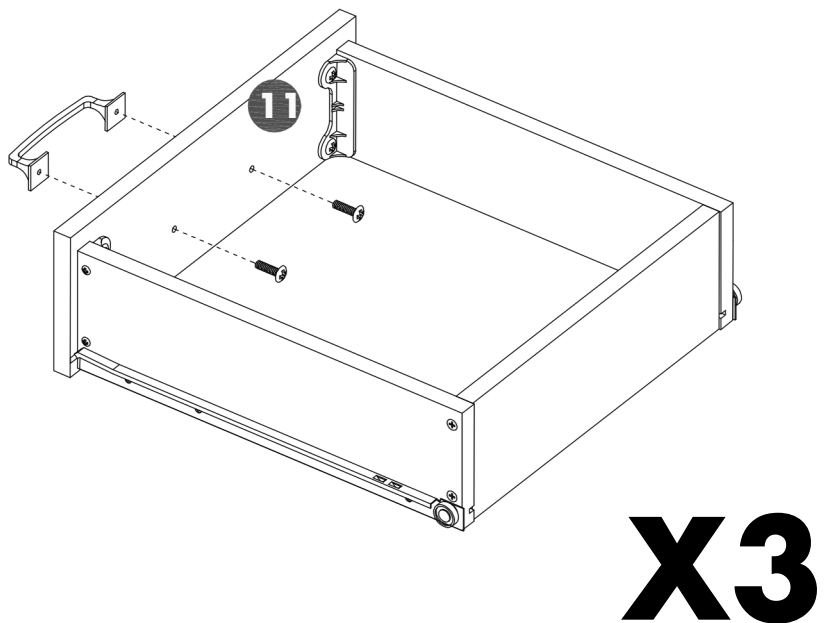
L x12pcs 



STEP 5

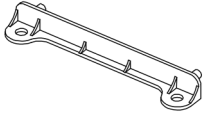
F x3pcs 

G x6pcs  7/8" Screw



STEP 12

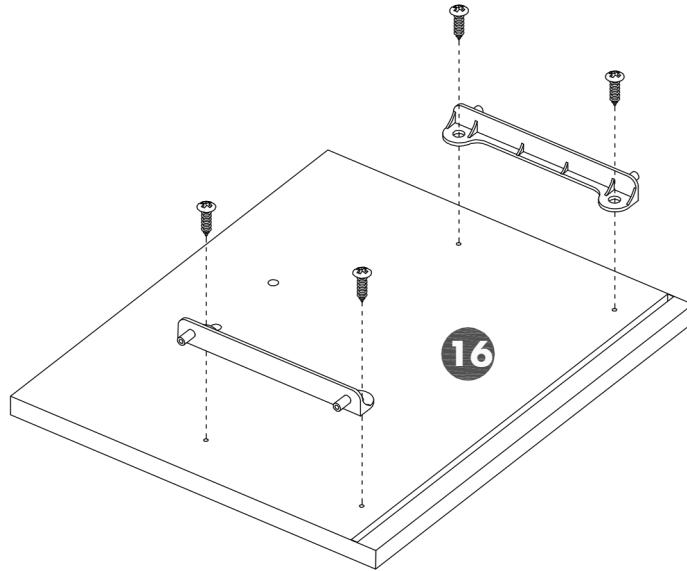
DD x2pcs



M x4pcs

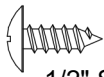


9/16" Screw

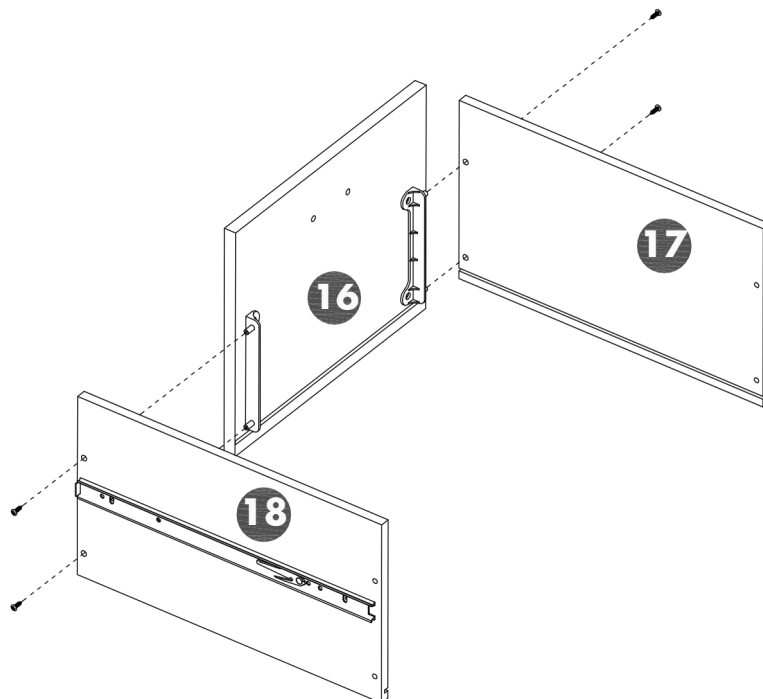


STEP 13

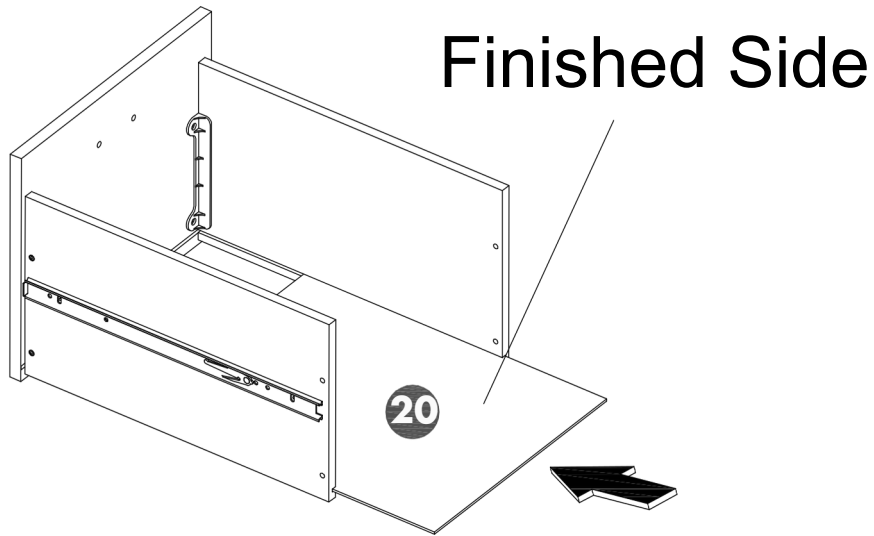
N x4pcs



1/2" Screw

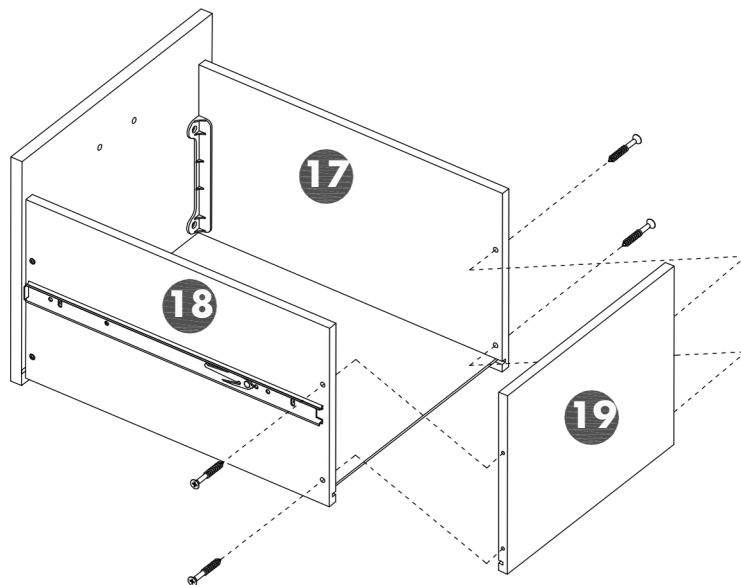


STEP 22



STEP 20

L x4pcs 



STEP ٤٦

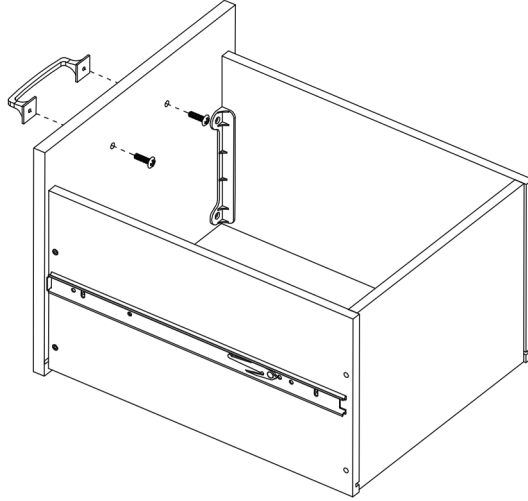
F x1pcs



G x2pcs

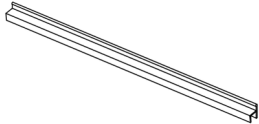


7/8" Screw

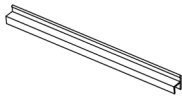


STEP ٤٧

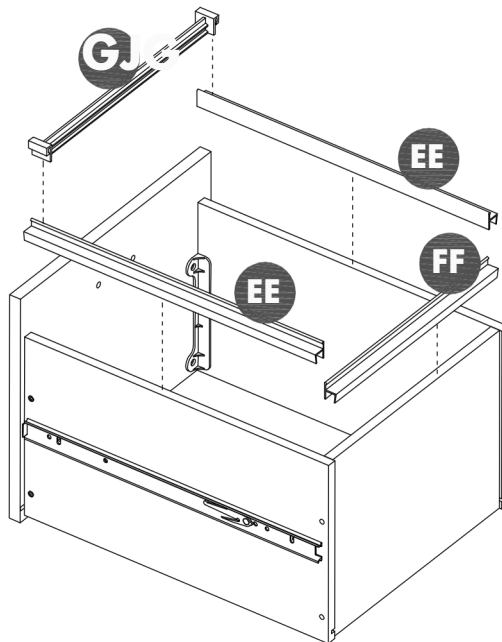
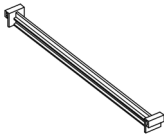
EE x2pcs



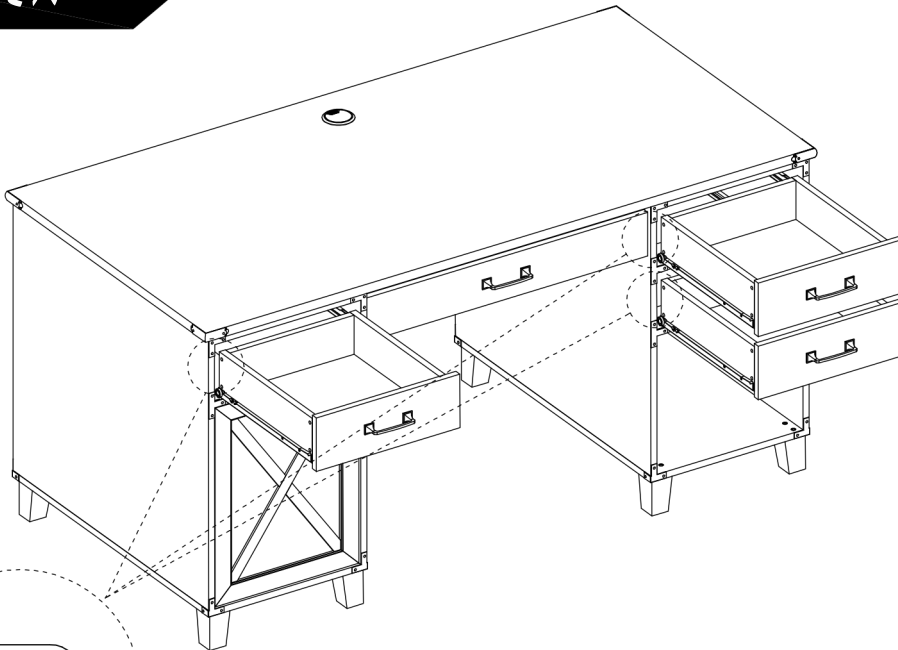
FF x1pcs



GG x1pcs



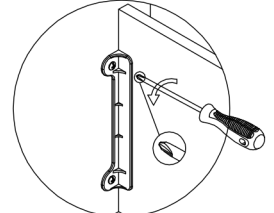
STEP 8A



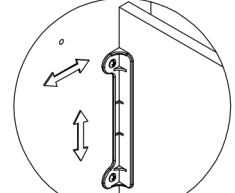
- Move unit to final location.
- Adjust drawer fronts as shown below.

- Step1--Loosen screws on back of drawer front brackets as shown.
- Step2--Position drawer front as required.
- Step3--Tighten screws while holding drawer front in position.

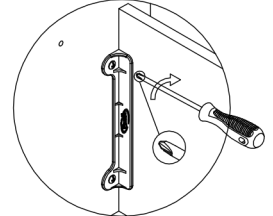
STEP 1.



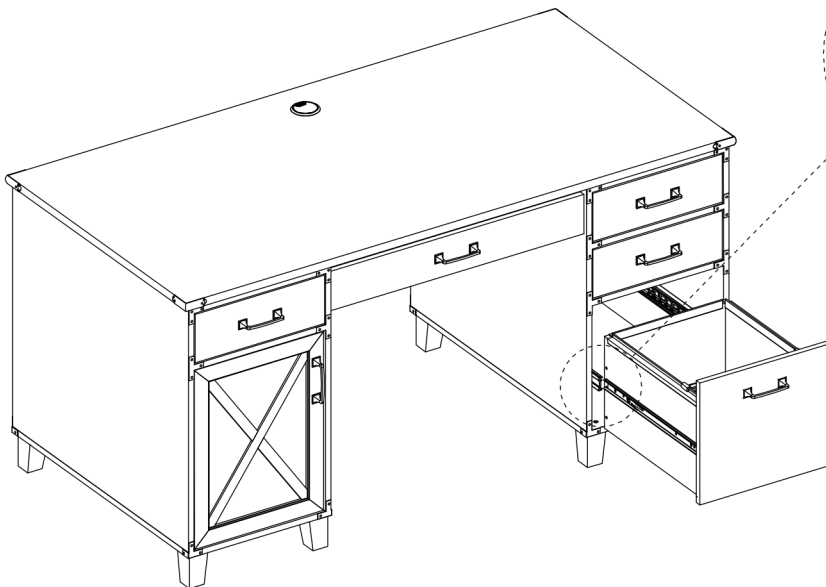
STEP 2.



STEP 3.



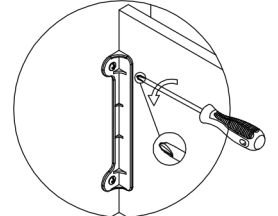
STEP 8B



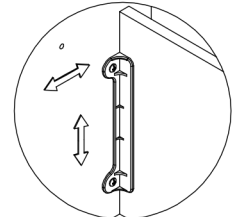
- Move unit to final location.
- Adjust drawer fronts as shown below.

- Step1--Loosen screws on back of drawer front brackets as shown.
- Step2--Position drawer front as required.
- Step3--Tighten screws while holding drawer front in position.

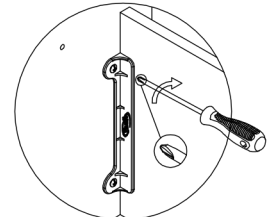
STEP 1.



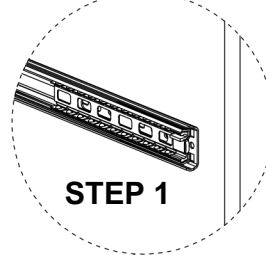
STEP 2.



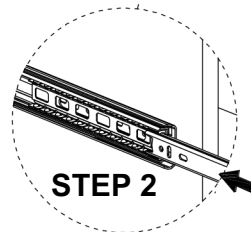
STEP 3.



STEP 1



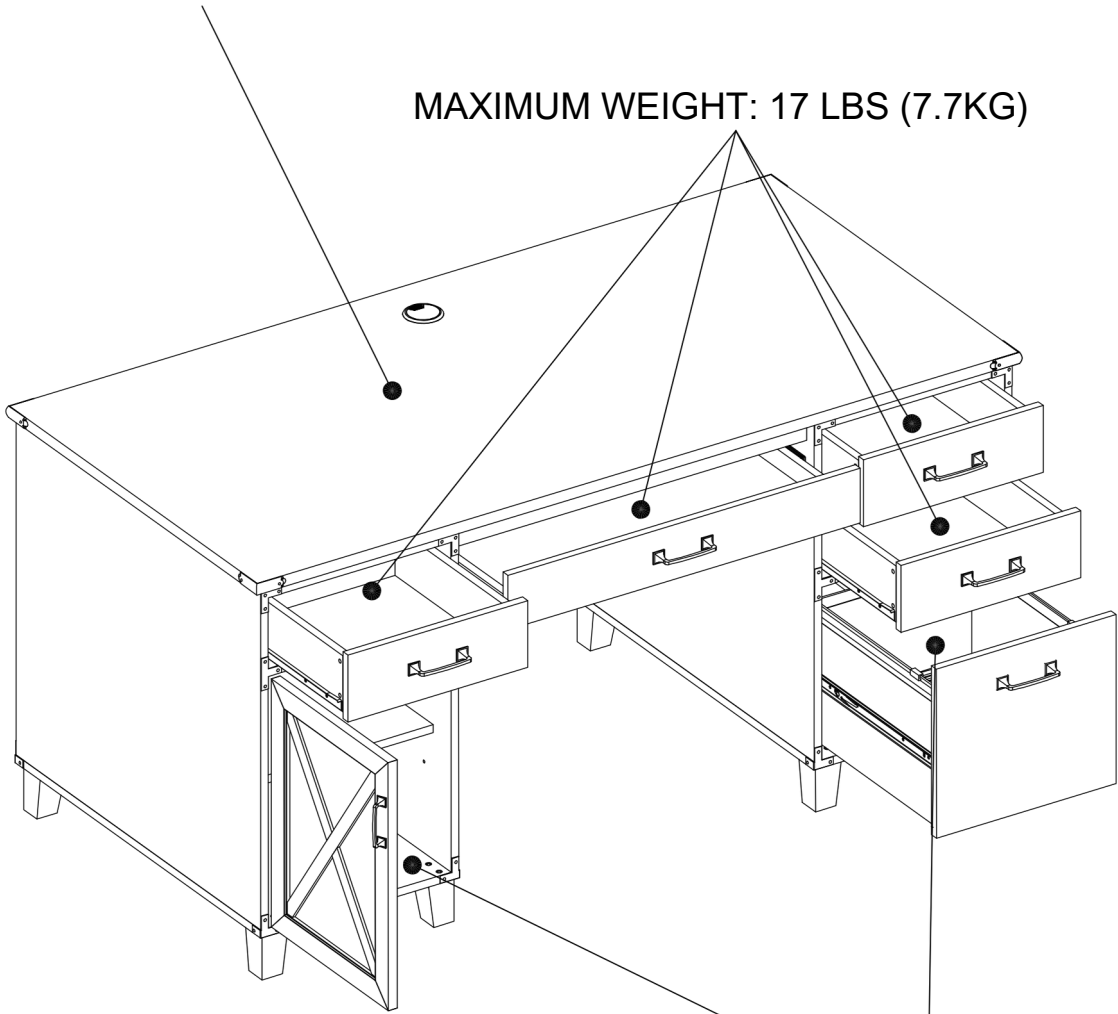
STEP 2



Maximum weight capacities

MAXIMUM WEIGHT: 200 LBS (91KG)

MAXIMUM WEIGHT: 17 LBS (7.7KG)



MAXIMUM WEIGHT: 33 LBS (15KG)

THIS PAGE INTENTIONALLY LEFT BLANK

What is Proposition 65?

Proposition 65 is a California law that requires warning labels on products that may contain one of more than 800-plus chemicals or ingredients that the California Office of Environmental Health Hazard Assessment(OEHHA) has deemed to cause cancer or other reproductive toxicity. chemicals and elements on this list include wood dust , brass , and other everyday substances, which can be found in very common household items, such as : lamps , tableware , jewelry , crystal glasses , electric cords , beauty products , automobiles , and furniture.

Why Did I Find a Proposition 65 Warning on My Home Goods Product?

We include Proposition 65 warnings on all of our products because there is always a chance that one of the 800-plus common chemicals and ingredients listed under this law could potentially be on our furniture or packing materials. We risk large fines under this law , if we don't include this warning.

Should I worry?

We realize you may be worried finding this warning on our products , but we want to reassure you that the hazardous exposure limits for any of these chemicals have never been found on furniture products that we've shipped to our customers. Additionally, this warning label is very common and can be found on almost every piece of furniture sold in the state of California.

Just How Common Are Proposition 65 Warnings?

Proposition 65 warnings have become so common in California that it is hard to take a trip to local bank, grocery store , or restaurant without finding at least one warning. In fact, even the Disney Land Resort has a Proposition 65 warning:

