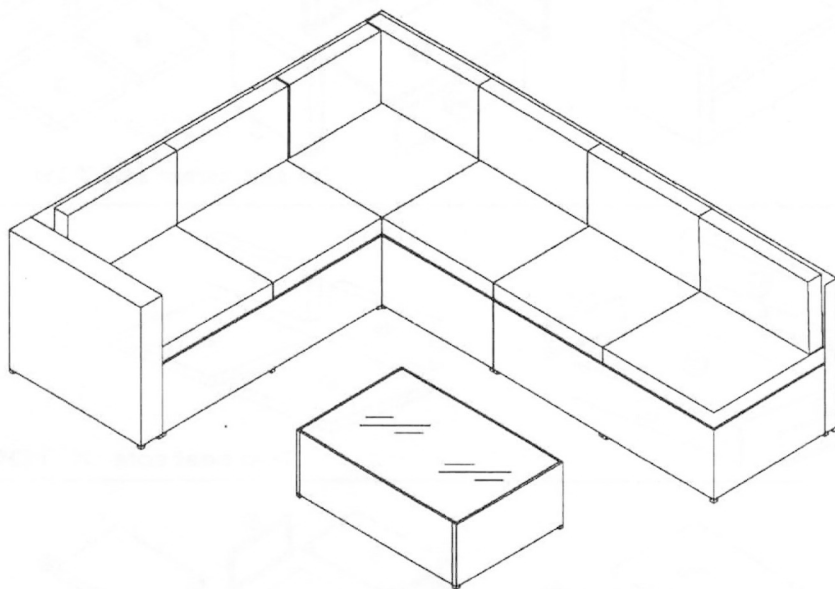


NOTICE!

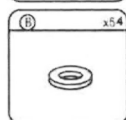
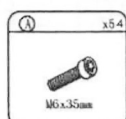
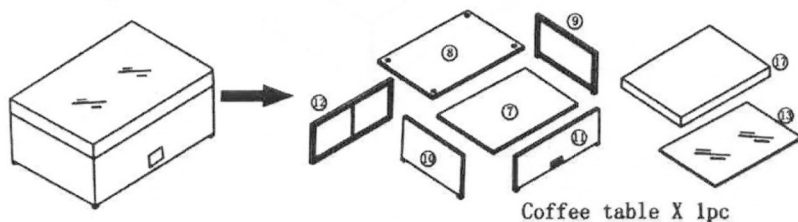
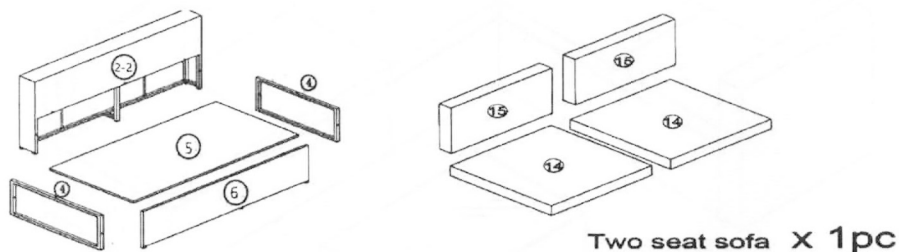
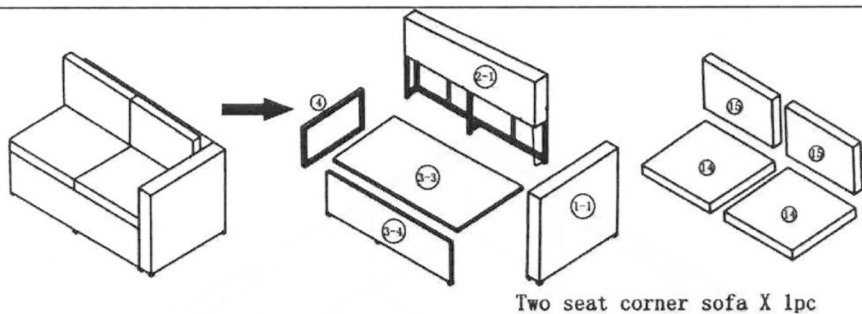
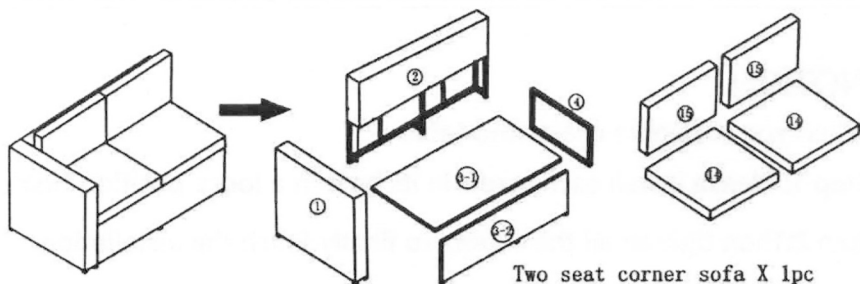
When you assemble chairs and table ,

Step 1: Please install each screw in its hole in a loose position first ;

Step 2:Then tighten all the screws to finally finish the installation.



PE Wicker Rattan Corner Sofa Set



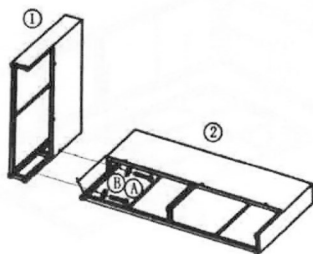
1	1pcs
1-1	1pc
2	1pc
2-1	1pc
3-1	1pc
3-2	1pc

3-3	1pc
3-4	1pc
4	4PCS
5	1pc
6	1pc
6-2	1pc

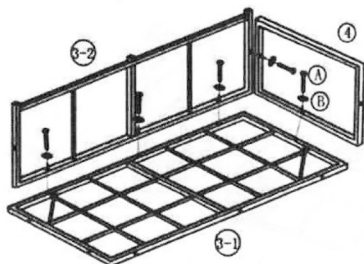
7	1pc
8	1pc
9	1pc
10	1pc
11	1pc
12	1pc

13	1pc
14	6PCS
15	6PCS
16	1pc
17	1pc

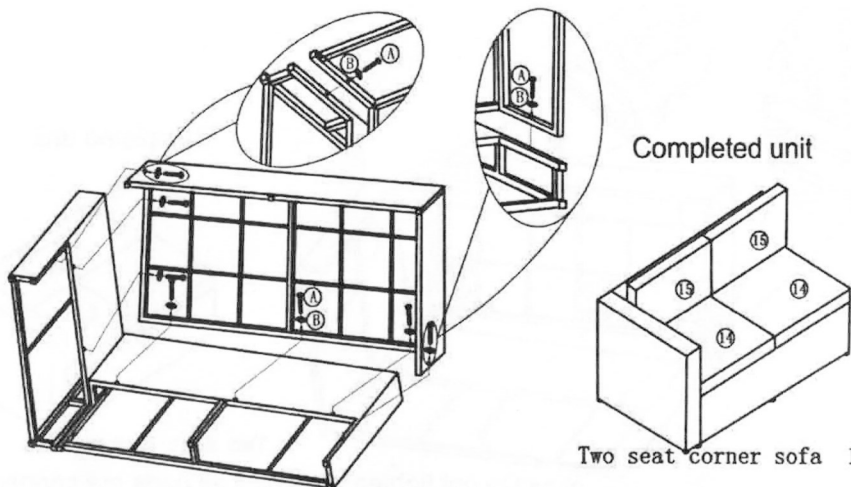
Step 1. Two seat corner sofa 1pc



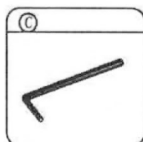
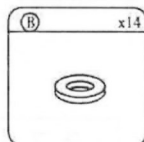
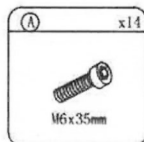
Step 2. Two seat corner sofa 1pc



Step 3. Two seat corner sofa 1pc



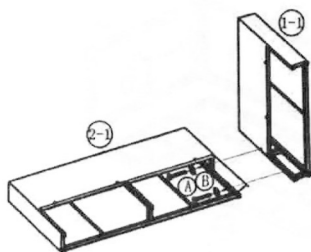
Note: Do not tighten bolts until all parts are connected.



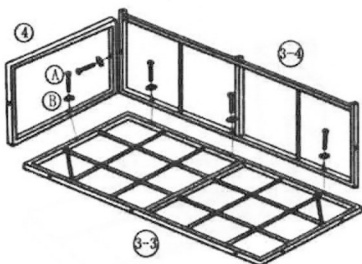
①	1pc
②	1pc
③-1	1pc
③-2	1pc
④	1pc

⑬	2pcs
⑭	2pcs

Step 1. Two seat corner sofa 1pc

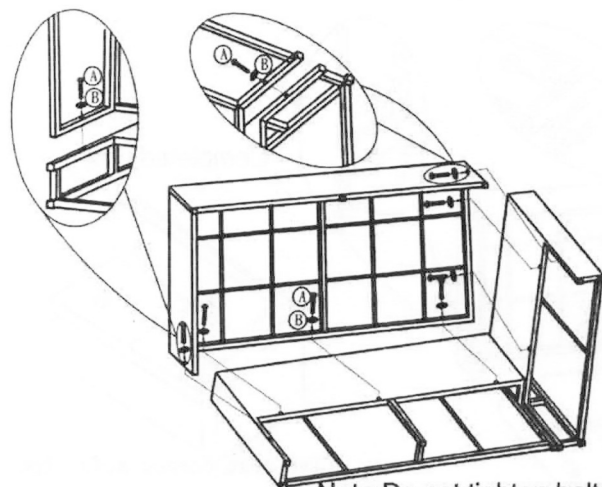


Step 2. Two seat corner sofa 1pc

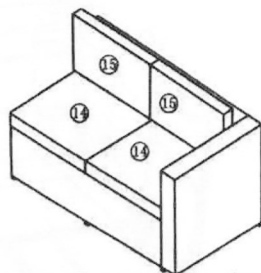


Step 3. Two seat corner sofa 1pc

(Remarks): This armrest can also be assembled On the right side.

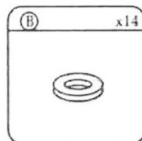


Completed unit



Two seat corner sofa 1pc

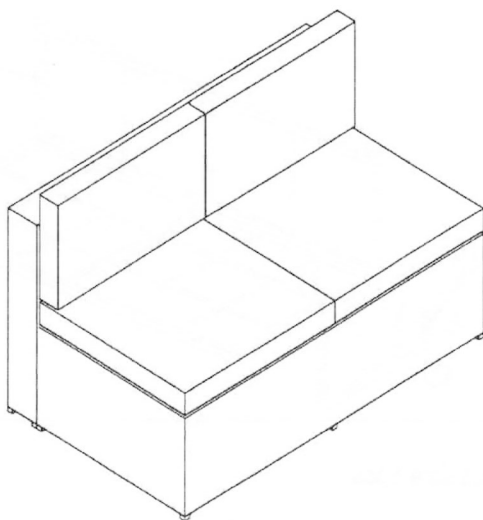
Note: Do not tighten bolts until all parts are connected.



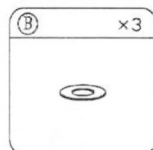
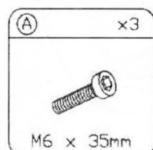
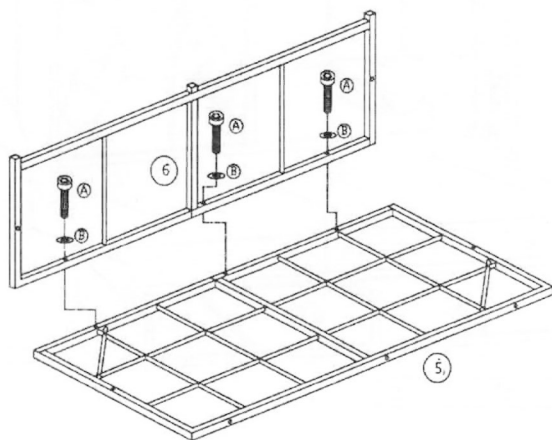
(1-1)	1pc
(2-1)	1pc
(5-3)	1pc
(5-4)	1pc
(4)	1pc

(14)	2pcs
(15)	2pcs

Two seat sofa 1pcs

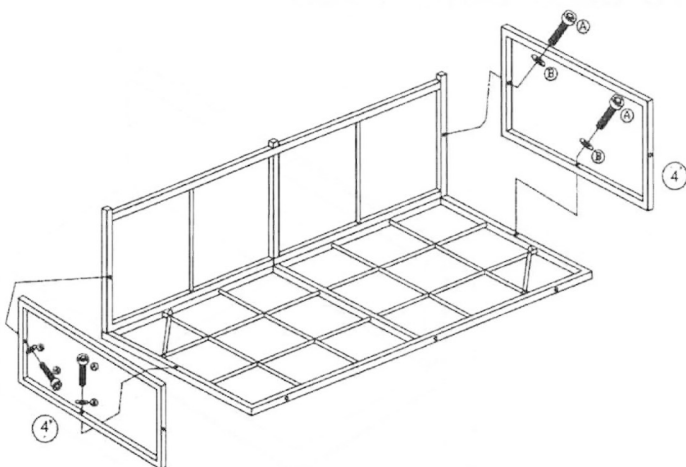
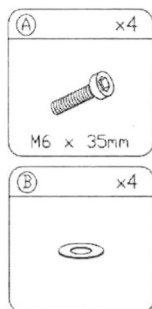


Step 1 Two seat sofa 1pcs

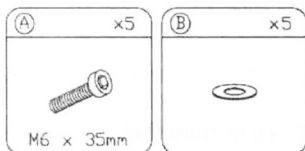
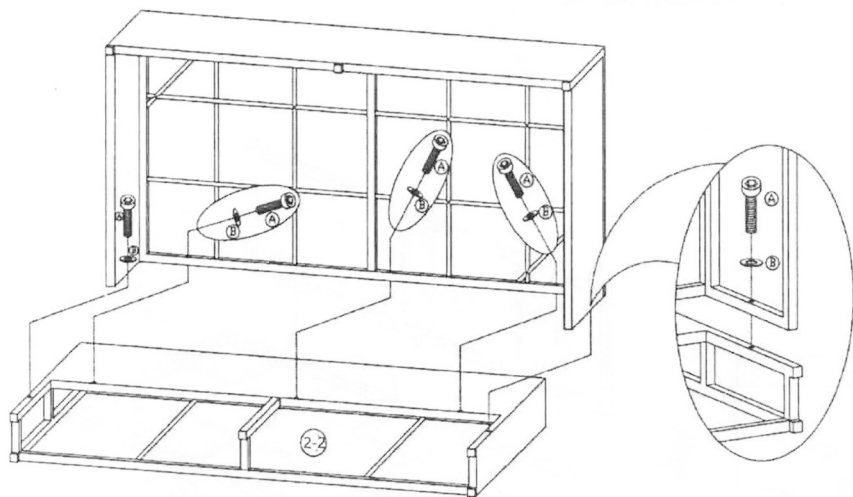


Note: Do not tighten bolts until all parts are connected.

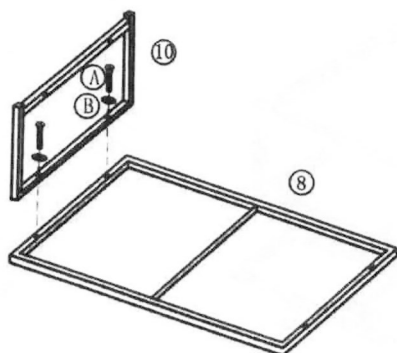
Step 2 Two seat sofa 1pcs



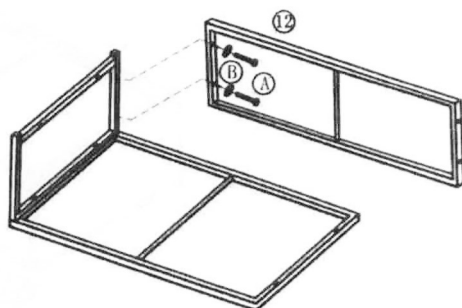
Step 3 Two seat sofa 1pcs



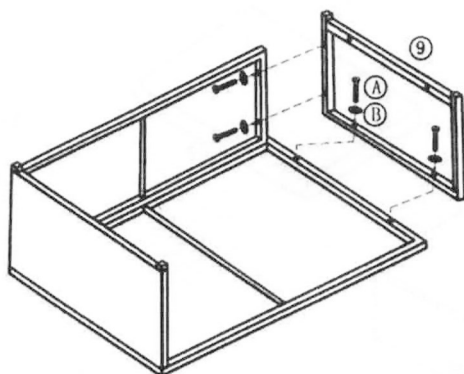
Step 1. Coffee table 1pc



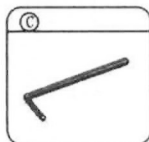
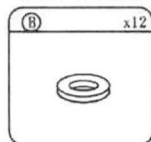
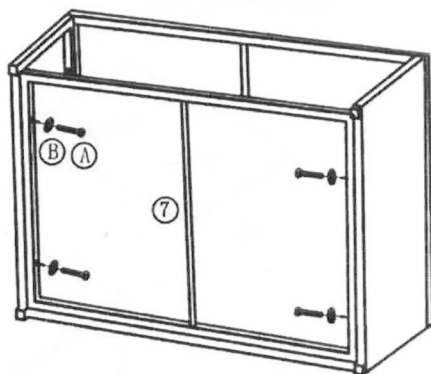
Step 2. Coffee table 1pc



Step 3. Coffee table 1pc

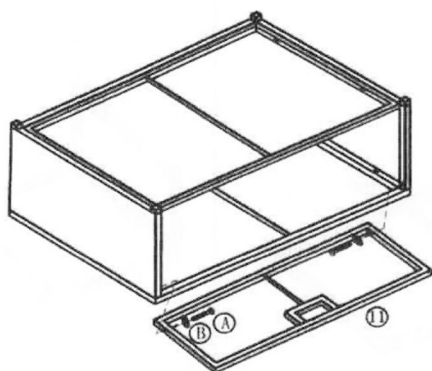


Step 4. Coffee table 1pc

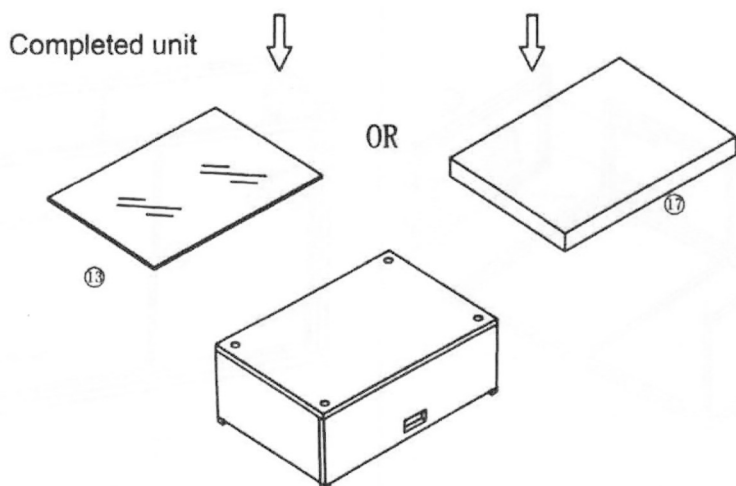


(7)	1pc
(8)	1pc
(9)	1pc
(10)	1pc
(12)	1pc

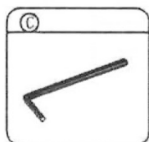
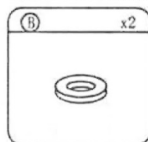
Step 5. Coffee table 1pc



Step 6. Coffee table 1pc



Note: Do not tighten bolts until all parts are connected.



(11)	1pc
(13)	1pc
(17)	1pc