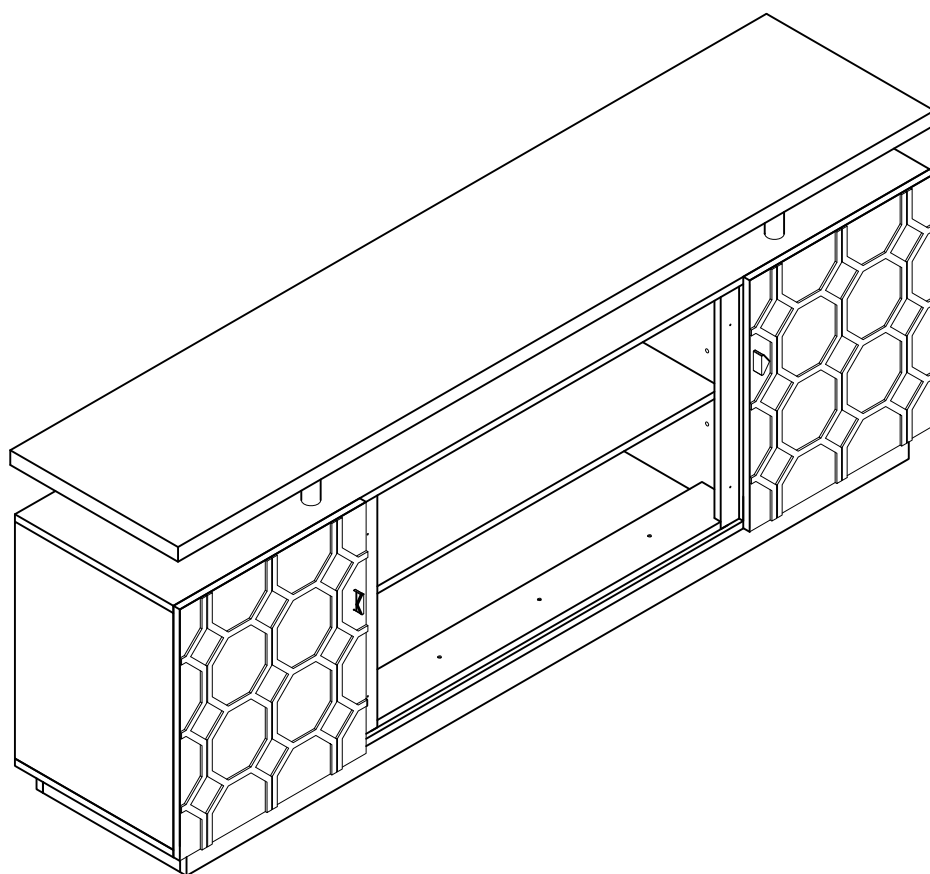
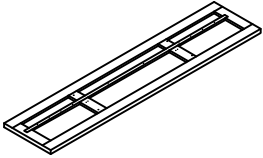
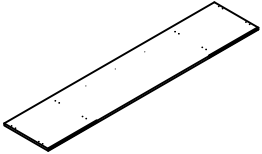
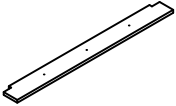
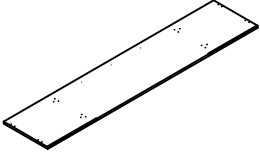
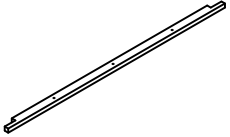
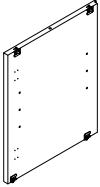


ASSEMBLY INSTRUCTIONS

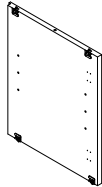
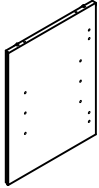


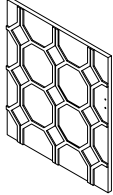
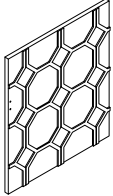


ASSEMBLY INSTRUCTIONS

Part List:


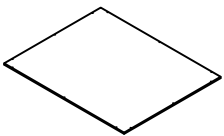
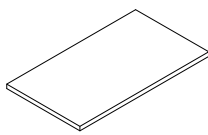
ITEM	DESCRIPTION	PART	QTY
1	Top panel		1
2	Bottom panel		1
3	Lower rail		1
4	Middle panel		1
5	Upper rail		1
6	Left side		1

Part List:

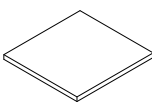
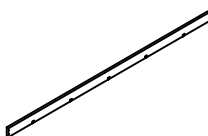
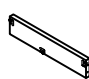
ITEM	DESCRIPTION	PART	QTY
7	Right side		1
8	Divider		2
9	Left post		1
10	Right post		1
11	Left Door		1
12	Right Door		1

ASSEMBLY INSTRUCTIONS

Part List:



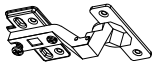



ITEM	DESCRIPTION	PART	QTY
13	Support		4
14	Back panel		2
15	Middle adjustable shelf		1

Part List:


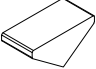

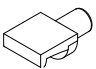

ITEM	DESCRIPTION	PART	QTY
16	Side adjustable shelf		2
17	Long Apron		2
18	Short Apron		2

ASSEMBLY INSTRUCTION

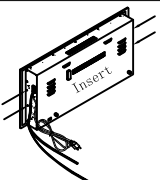
Hardware List:

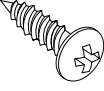
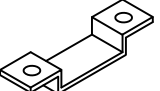
ITEM	DESCRIPTION	PART	QTY
A	Wooden dowel	 Φ8*30mm	32
B	Bolt	 Φ1/4"*25mm	4
C	Door fitting		4
D	Wood screw	 Φ3.5*14mm	24
E	Round head screw	 Φ3*12mm	24
F	Flat head screw	 Φ4*25mm	3

Hardware List:

ITEM	DESCRIPTION	PART	QTY
G	Flat head screw	 Φ4*19mm	3
H	Handle		2
I	Machine screw	 Φ5/32"*19mm	4
J	Shelf support		12
K	Allen wrench		1

Belows are fireplace' s parts list:

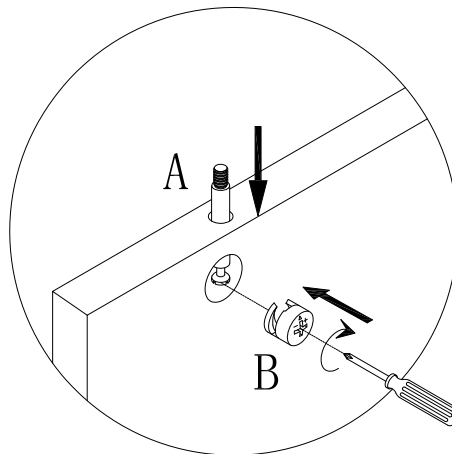
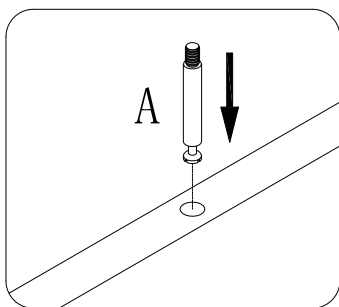
DESCRIPTION	PART	QTY
Insert		1

DESCRIPTION	PART	QTY
Screw	 Φ4*12mm	8
Bracket		2

ASSEMBLY INSTRUCTION

- * Required screwdriver & mallet, not included.
- * Before discarding packing materials, please check to make sure that all parts and hardware is present.
- * Two people needed for assembly.
- * Please follow the instructions closely; do not over tighten screws or bolts unless instructed.
- * After a few days from initial assembly, the product may have acclimated to the new environment. Please retighten the hardware.

Guideline For Assembling of Cam Lock (A & B)





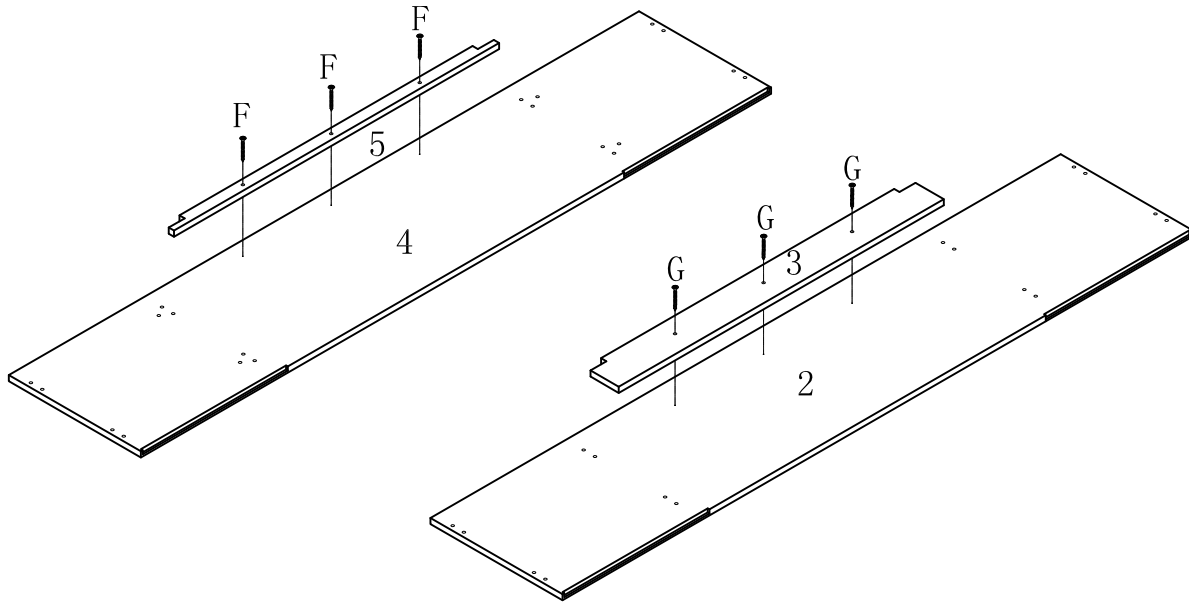
Screw camlock bolt (A) to wood part.

Do not assemble camlock (B) unless instructed.

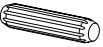
To assemble camlock (B), ensure long side of the + is facing the bolt (A) before inserting into hole.

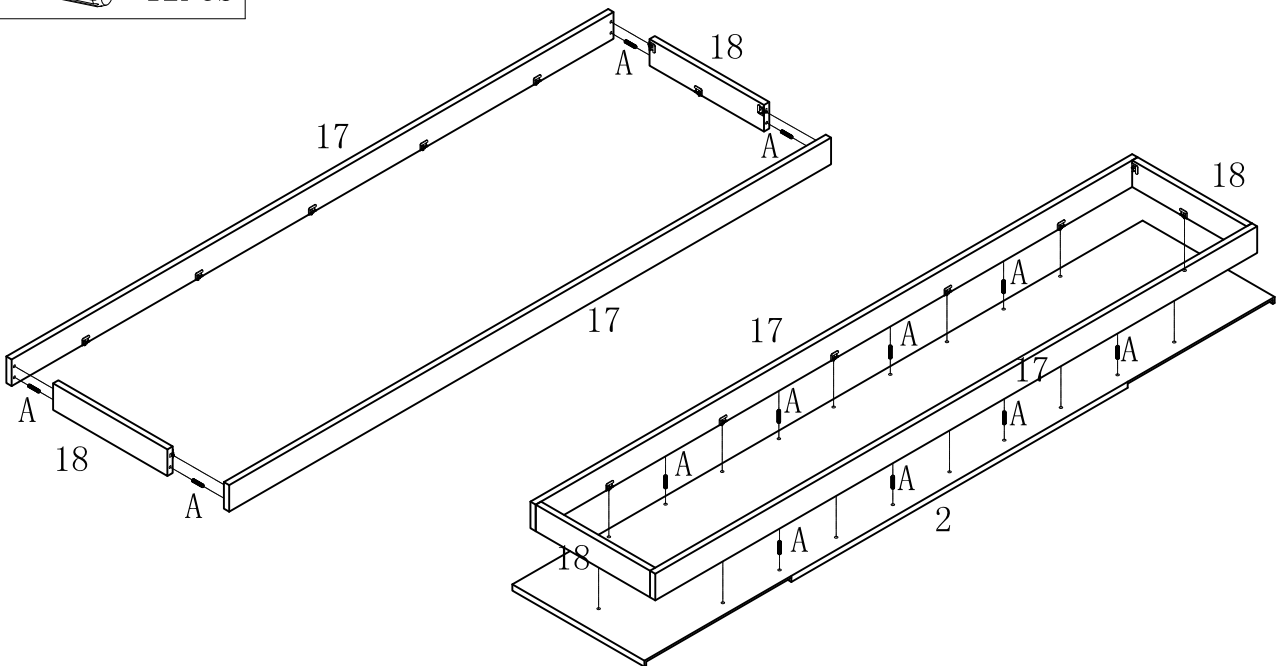
STEP 1

- F:  3PCS
- G:  3PCS




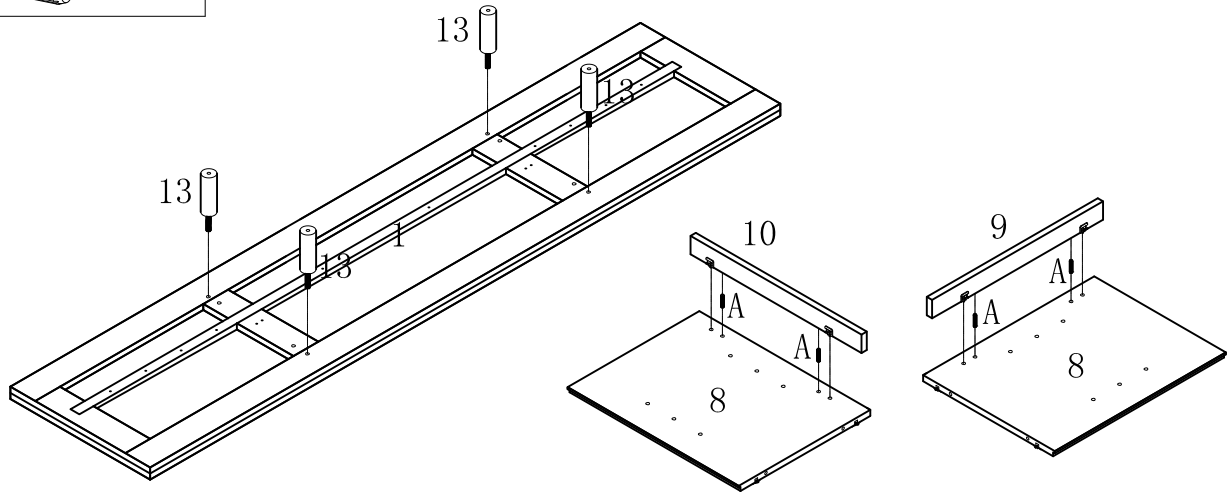
STEP 2

- A:  12PCS

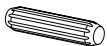


STEP 3

A:  4PCS

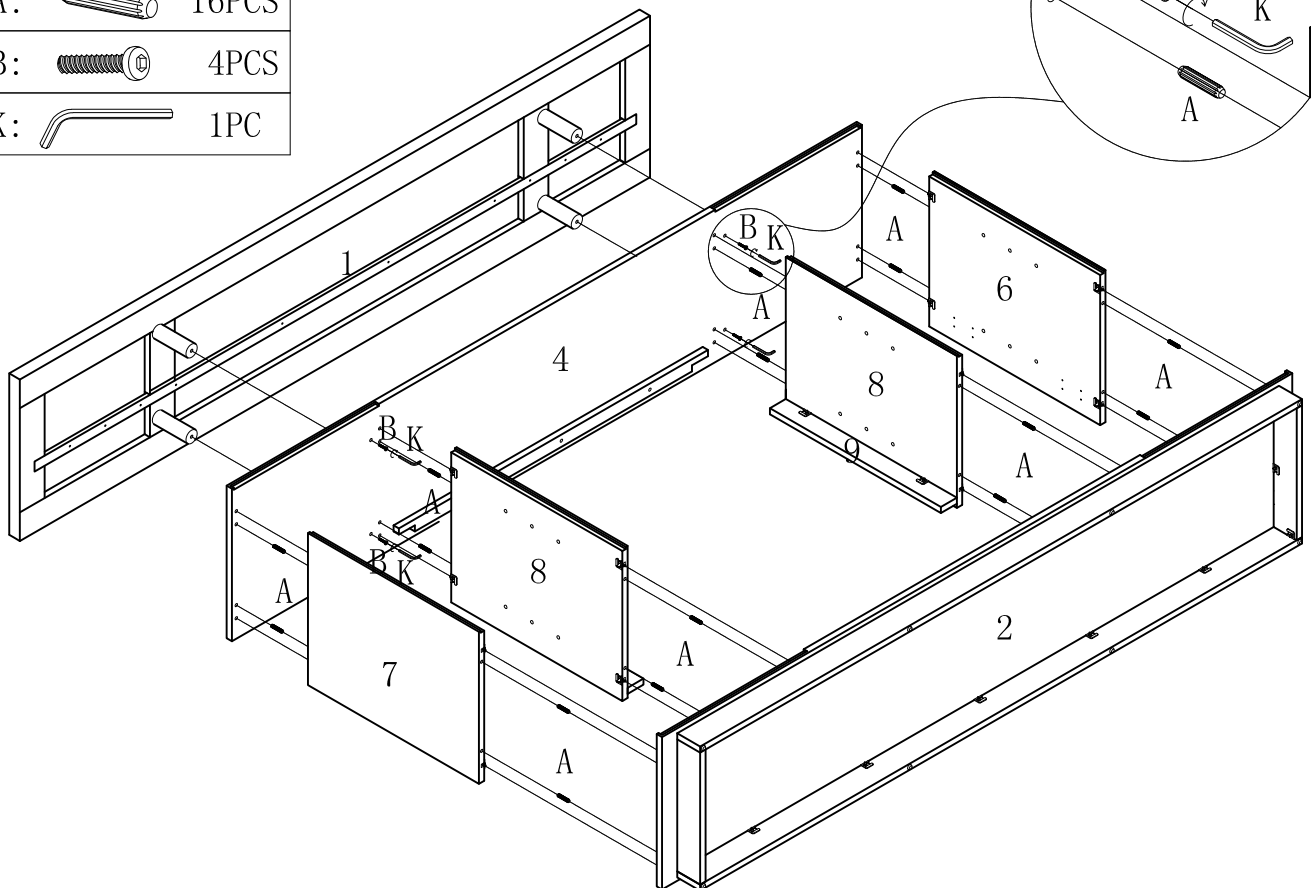
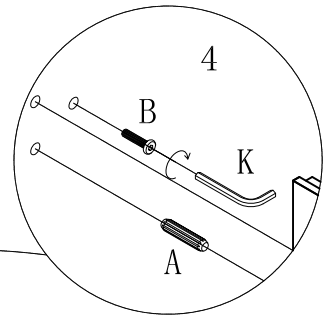


STEP 4

A:  16PCS

B:  4PCS

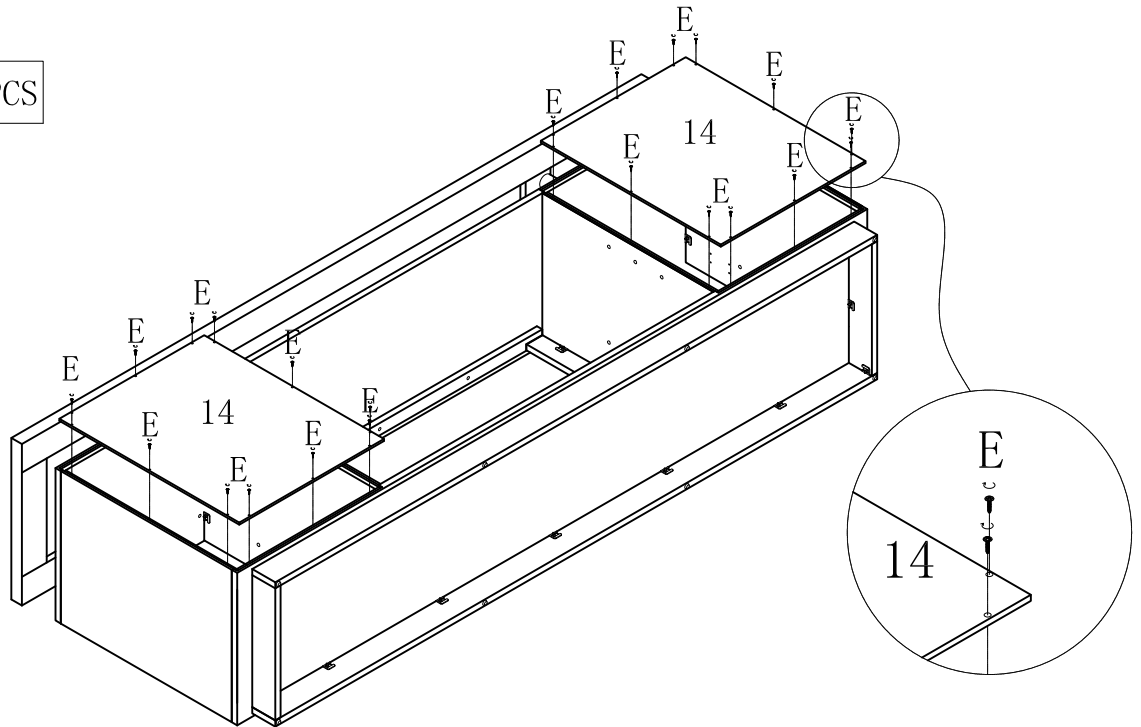
K:  1PC





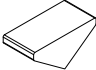

ASSEMBLY INSTRUCTION

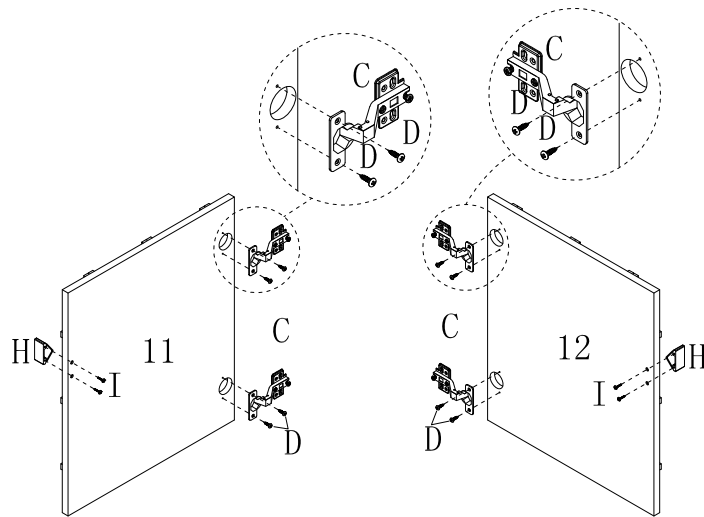
STEP 5

E:  24PCS



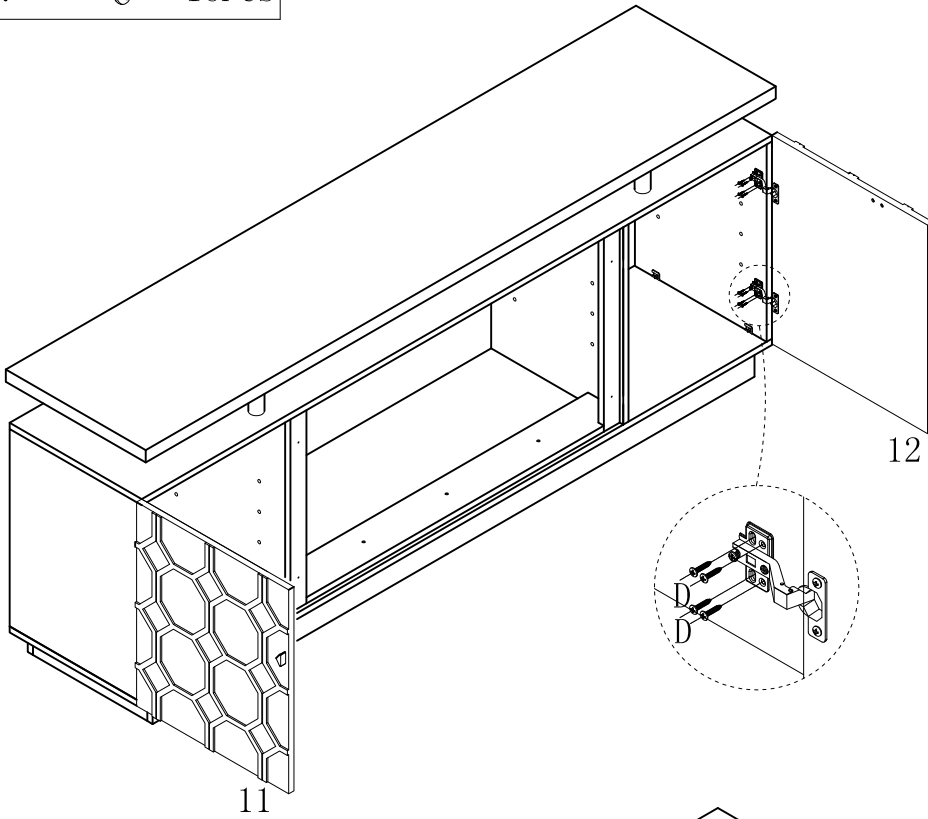
STEP 6

- C:  4PCS
- D:  8PCS
- H:  2PCS
- I:  4PCS



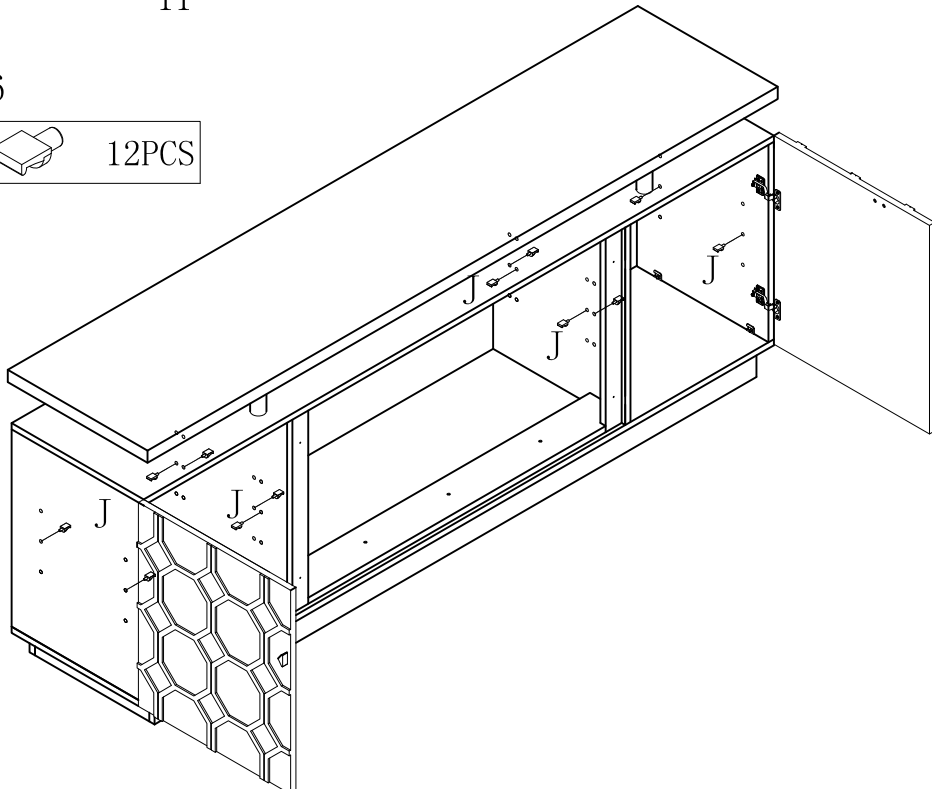
STEP 5

D:  16PCS

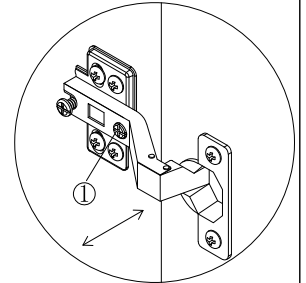


STEP 6

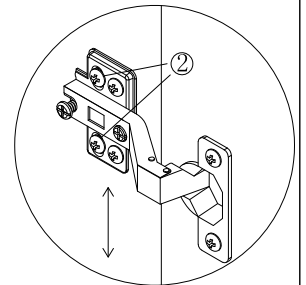
J:  12PCS



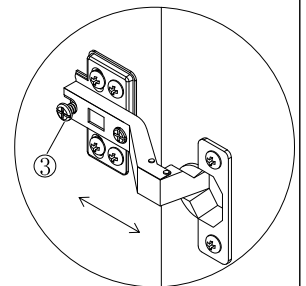
DOOR FITTING



To adjust in width

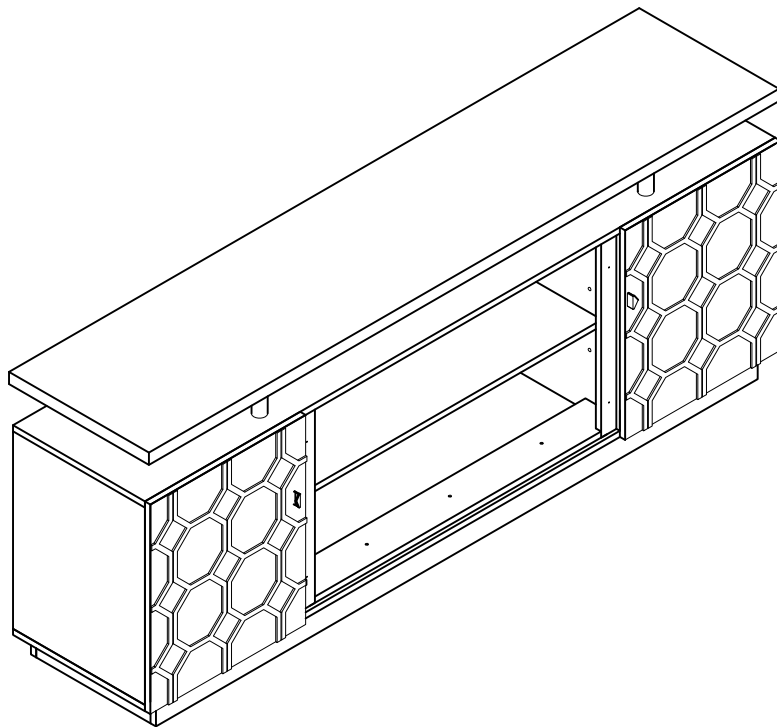
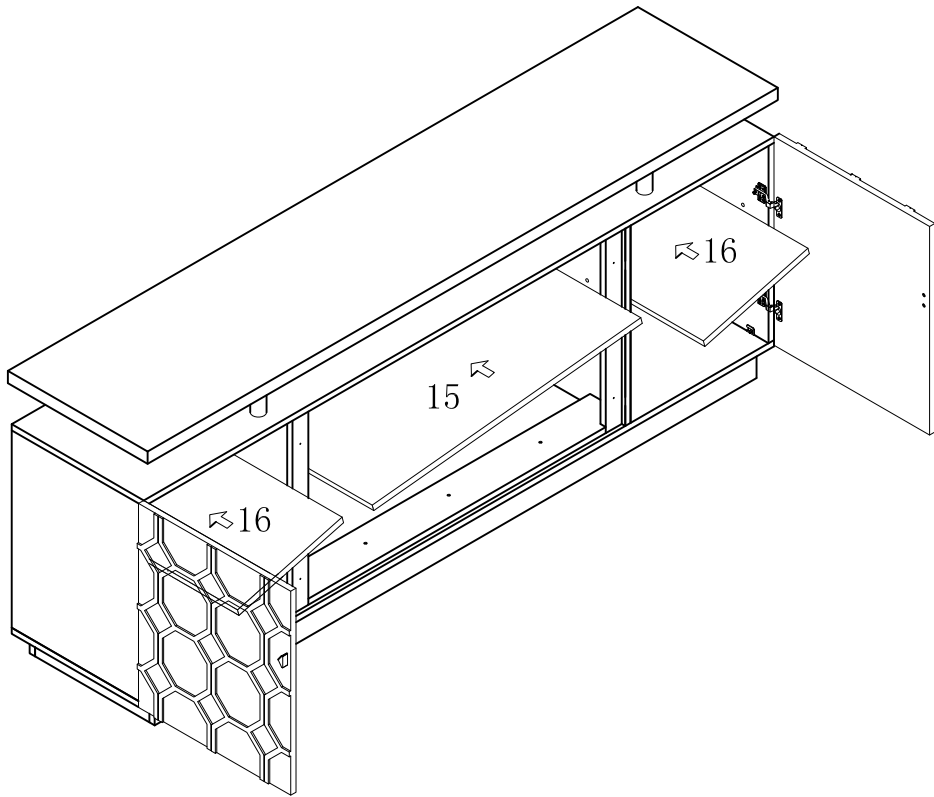


To adjust in height



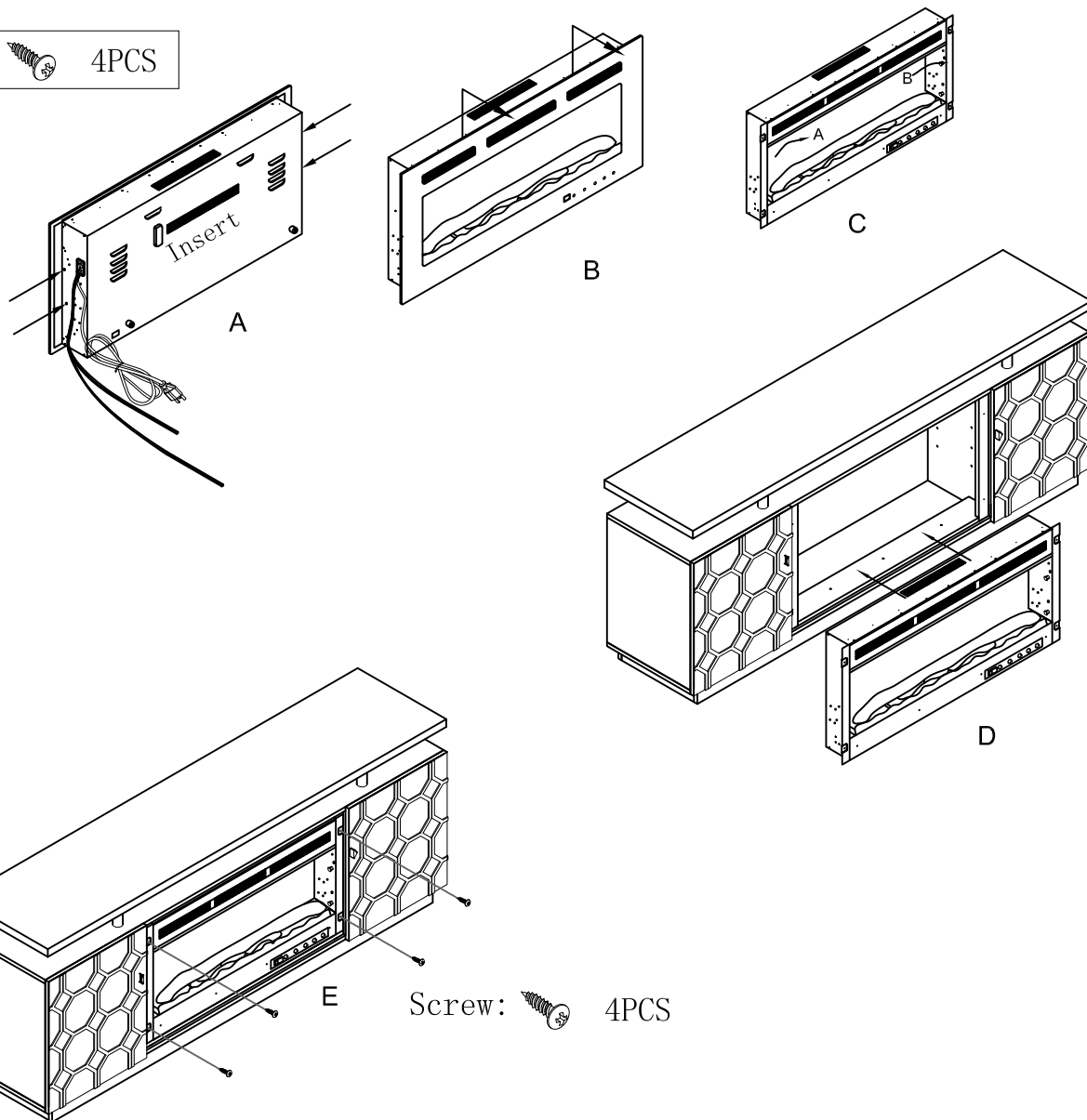
To adjust in depth

STEP 7



ASSEMBLY INSTRUCTION

Screw:  4PCS



STEP A. Take off the two screws in both sides of fireplace. Figure (A)

STEP B. Have two person to take the glass panel out of the fireplace box. Place it to a soft and clean place.

Figure (B) , take two pcs of foam out of fireplace(C).

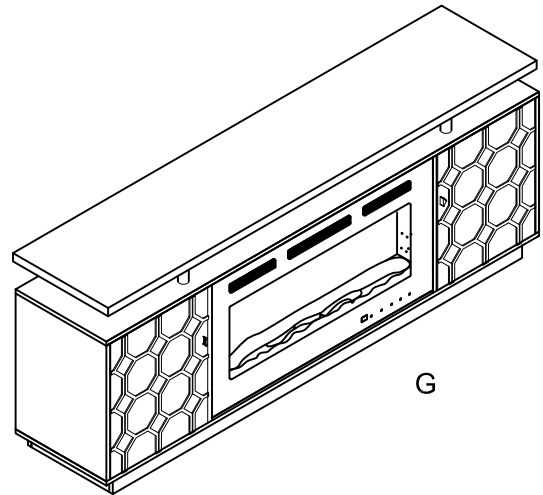
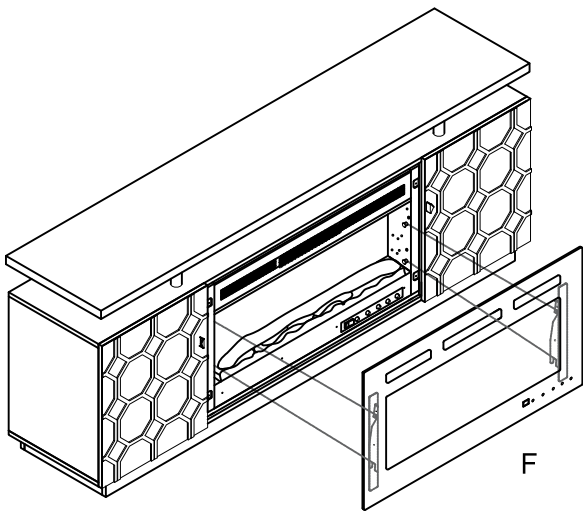
STEP C. Have two person to move the fireplace box to the wall hole or fireplace mantel (D).

If the appliance is fully recessed into the wall:

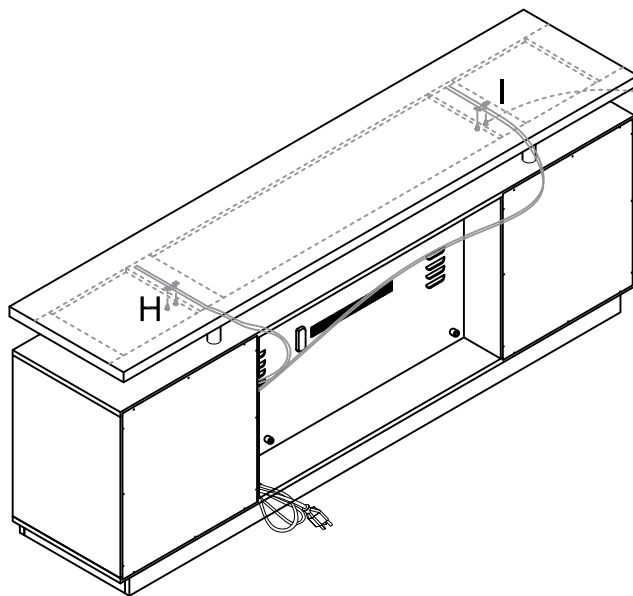
- Use the 4 screws(provided) to lock the appliance into wall with the existing two side flanges, see **Figure(E)**

ASSEMBLY INSTRUCTION

Screw:  4PCS



- Install the media and re-install the glass front.
STEP D. Place the front panel lock the appliance. **See Figure (F)**
STEP E. Fireplace will be like this after installation **Figure (G)**



Screw:  4PCS