


ASSEMBLY INSTRUCTIONS

ROSE EASTERN KING (4+8)



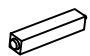
(Box 1)

BOX OF HEADBOARD

No	ITEM	Qty
A	Headboard 	1 pc


(Box 2)

BOX OF FOOTBOARD

No	ITEM	Qty
B	Footboard 	1 pc
C	Bed Slat 	4 pcs
D	Slat Support 	8 pcs

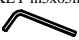
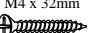

(Box 3)

BOX OF SIDE RAIL

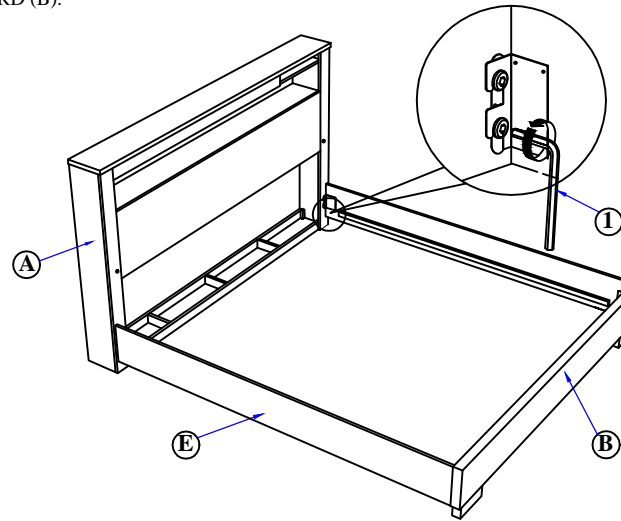
No	ITEM	Qty
E	Side Rail 	2 pcs

(Box 1)

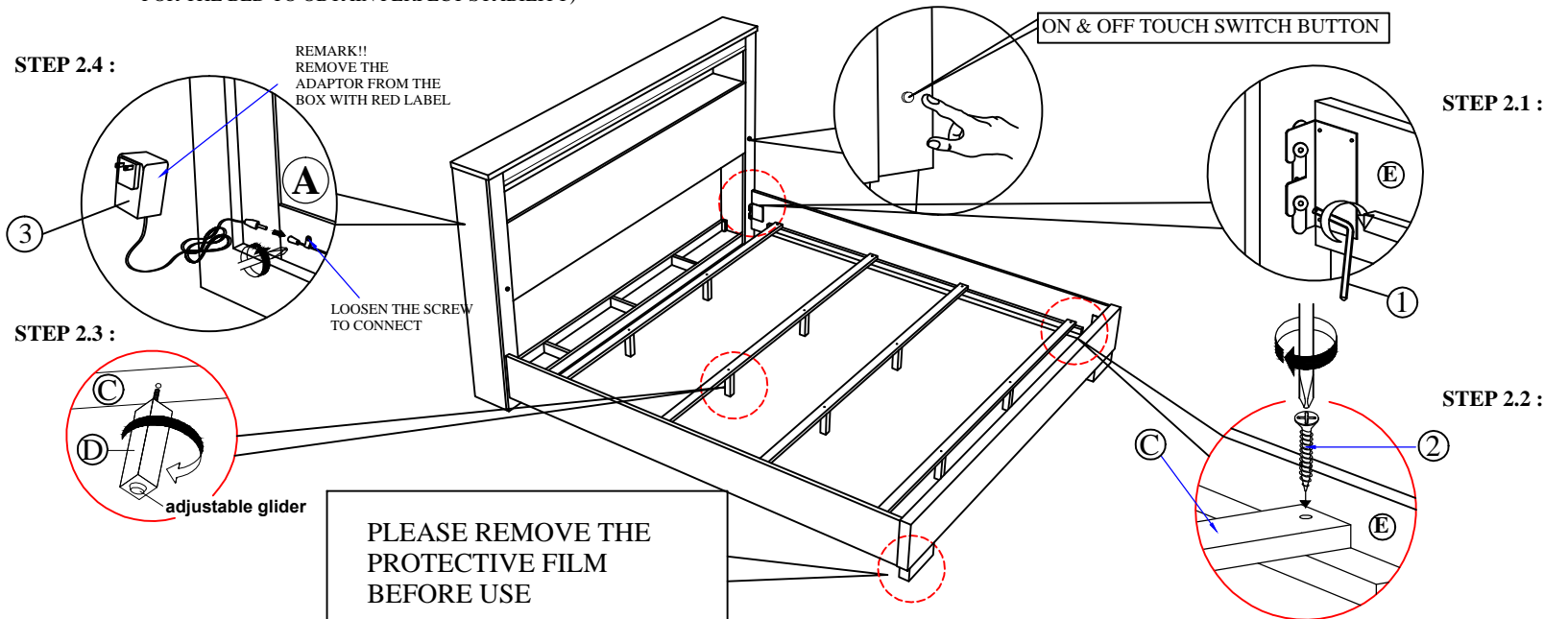
BOX OF HEADBOARD

No	ITEM	Qty
1	ALLEN KEY m5x65mm Blk 	1 pc
2	Flat Head Chipboard Screw M4 x 32mm 	8 pcs
3	12V=12W=1A Adaptor With ETL Certificate (US)INSIDE THE BOX WITH RED LABEL 	1 pc

STEP 1 : Hook SIDE RAIL (E) TO HEAD BOARD (A) closely and push down to fit. repeat step 2 with other end of rail to hook onto FOOTBOARD (B).



STEP 2 : Tighten the 4 Corner with Allen Key (1). Fix the Bed Slat Support Leg (D), to Bed Slat (C) as shown. Install the bed slat (C) to side rail (E) and tighten with Csk Screw (2) as per diagram shown. (NOTE: THE SETUP MUST BE DONE AT THE DECIDED LOCATION FOR THE BED TO OBTAIN PERFECT STABILITY)



NOTE : MUST TIGHTEN SCREWS PERIODCALLY OR USE SCREW WILL BECOME LOOSE. CHECK TIGHTNESS OF ALL SCREW EVERY 6-8 WEEKS.