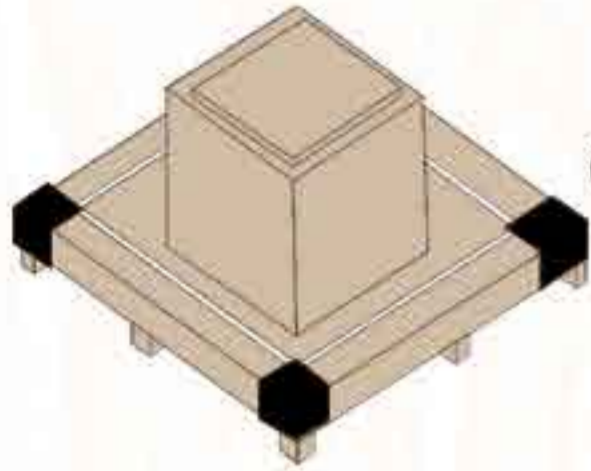
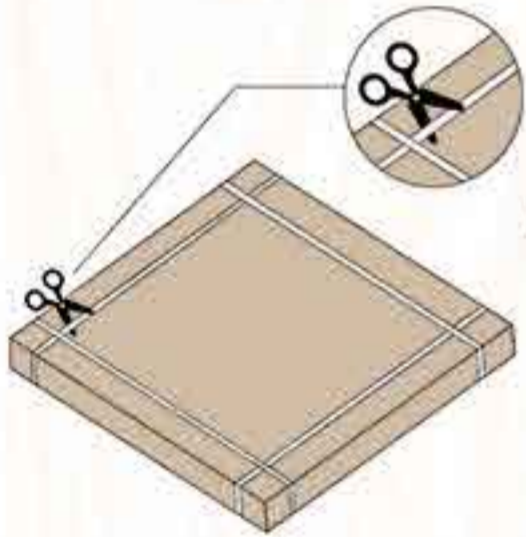


INSTALLATION INSTRUCTION



- ① Check the integrity of the outer box after receiving the package.

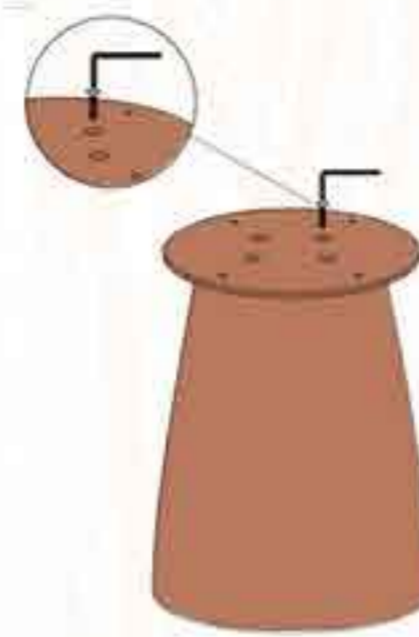


- ② Then let us start unpacking the boxes.

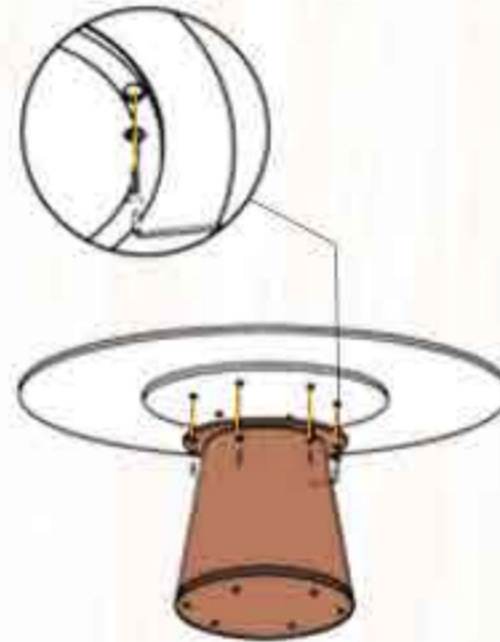
Note: Need to unpack and inspect all items: tabletop, connecting plate, and base.



- ③ Align all the holes on the desktop, connecting plate, and chassis



- ④ Place the connecting plate on the base and secure the connecting plate and base with screws.



- ⑤ Flip the dining table, align the holes on the connecting plate with those on the table, and use a screwdriver to install the screws.
(Plz handle with care when flipping.)



- ⑥ Assembly completed.