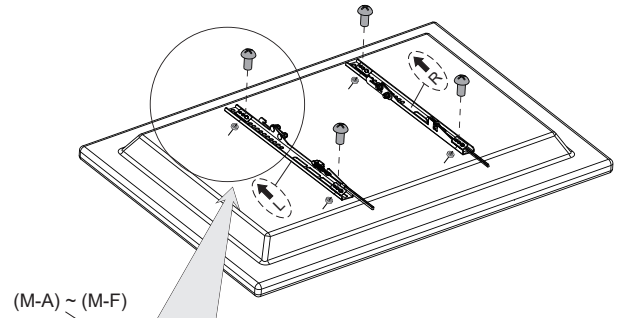
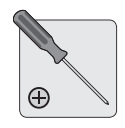
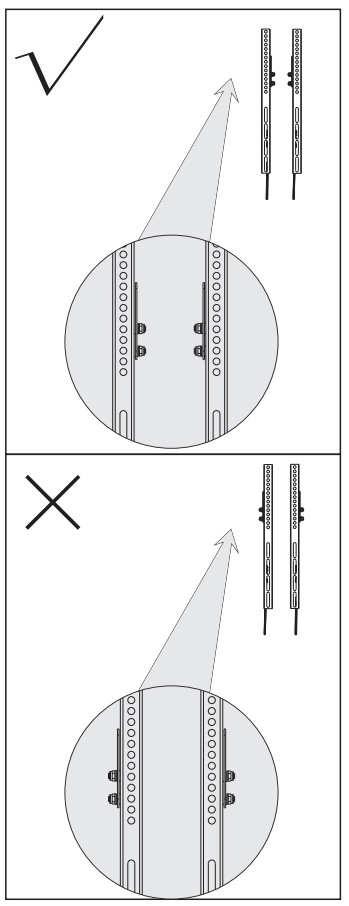
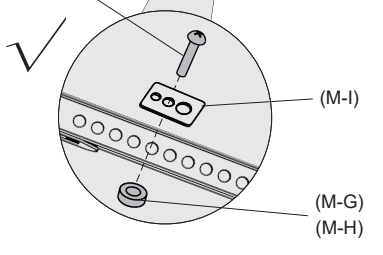


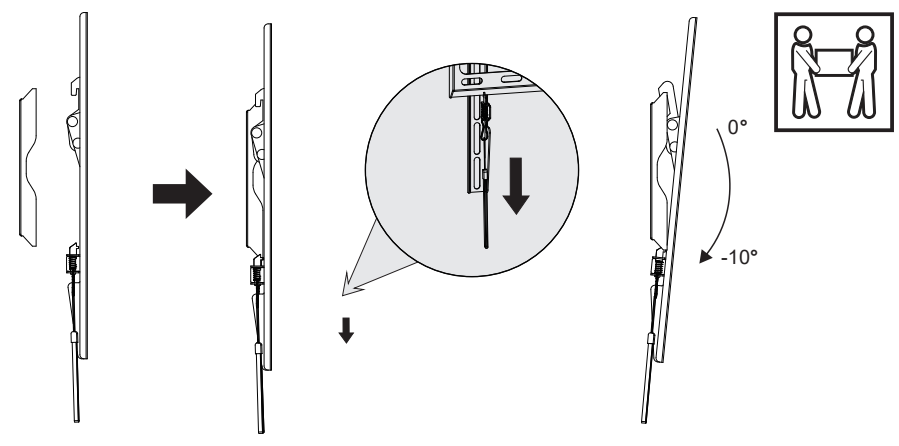
2.



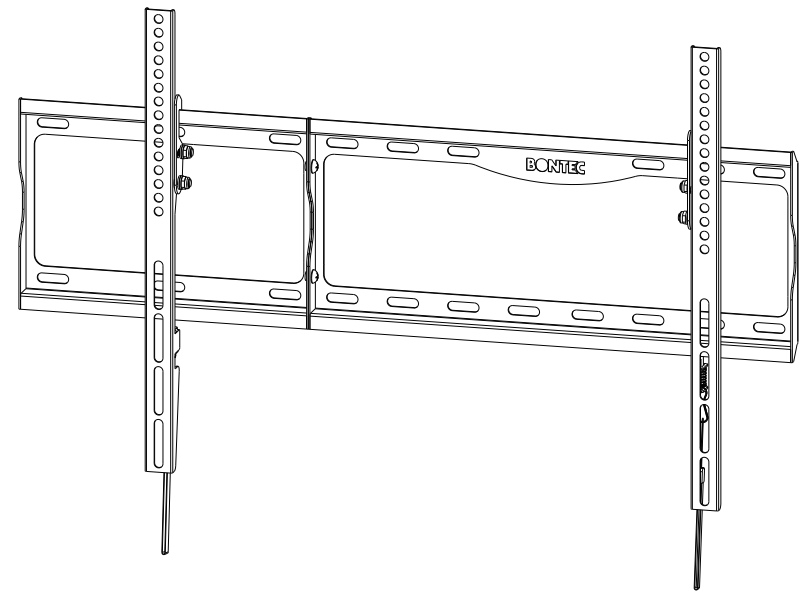
(M-A) ~ (M-F)



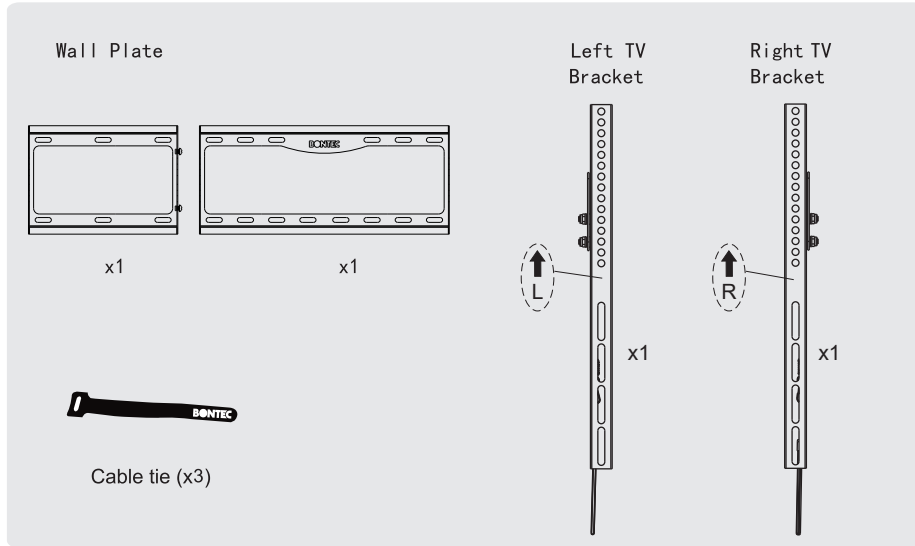
3.



TILT TV Wall Mount

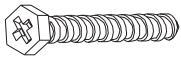


Supplied Parts List



Hardware (Wall / product)

M6X50MM Self-tap screws



(A) x6

M10X50MM Plastic anchors



(B) x6

φ6 mm Washer



(C) x6

M4x30mm



(D) x4

M6x16mm



(E) x4

M6x30mm



(E) x4

M8x20mm



(F) x4

M8x50mm



(F) x4

D8x5mm Plastic Sleeve



(G) x4

D8x10mm Plastic Sleeve



(G) x4

φ4/φ6/φ8mm Washer



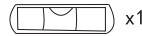
(H) x4

8mm Wrench



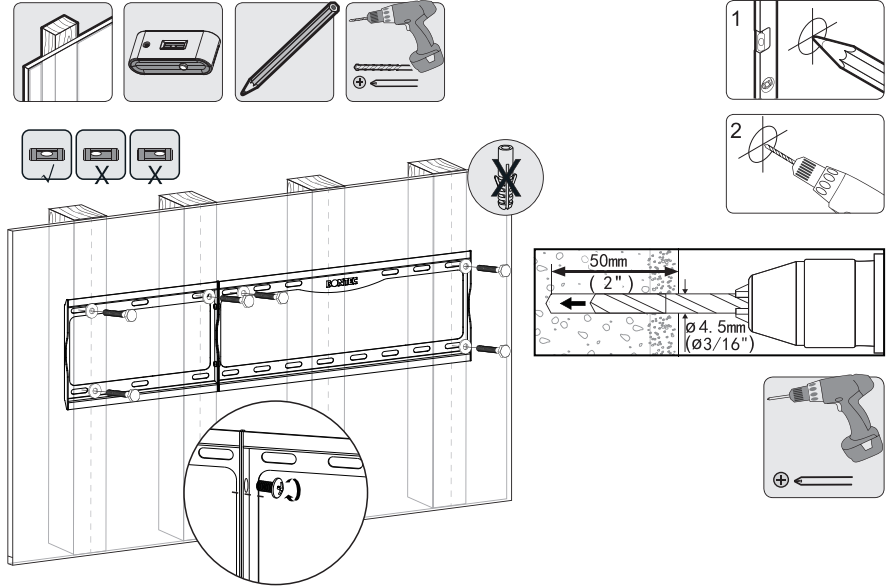
(I) X1

Bubble level



(I) X1

1a. Wood Stud Installation



1b. Concrete Wall Installation

