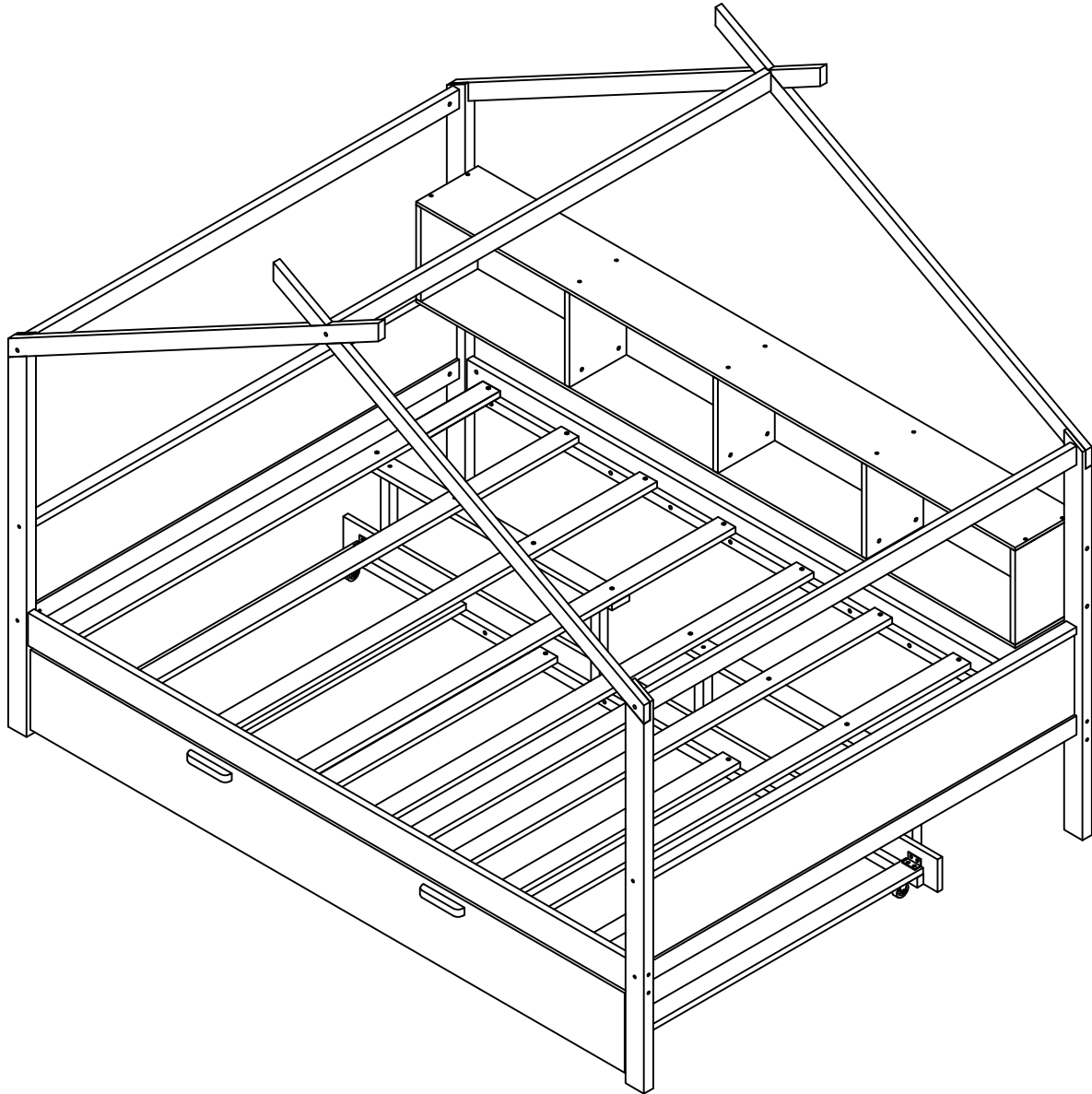


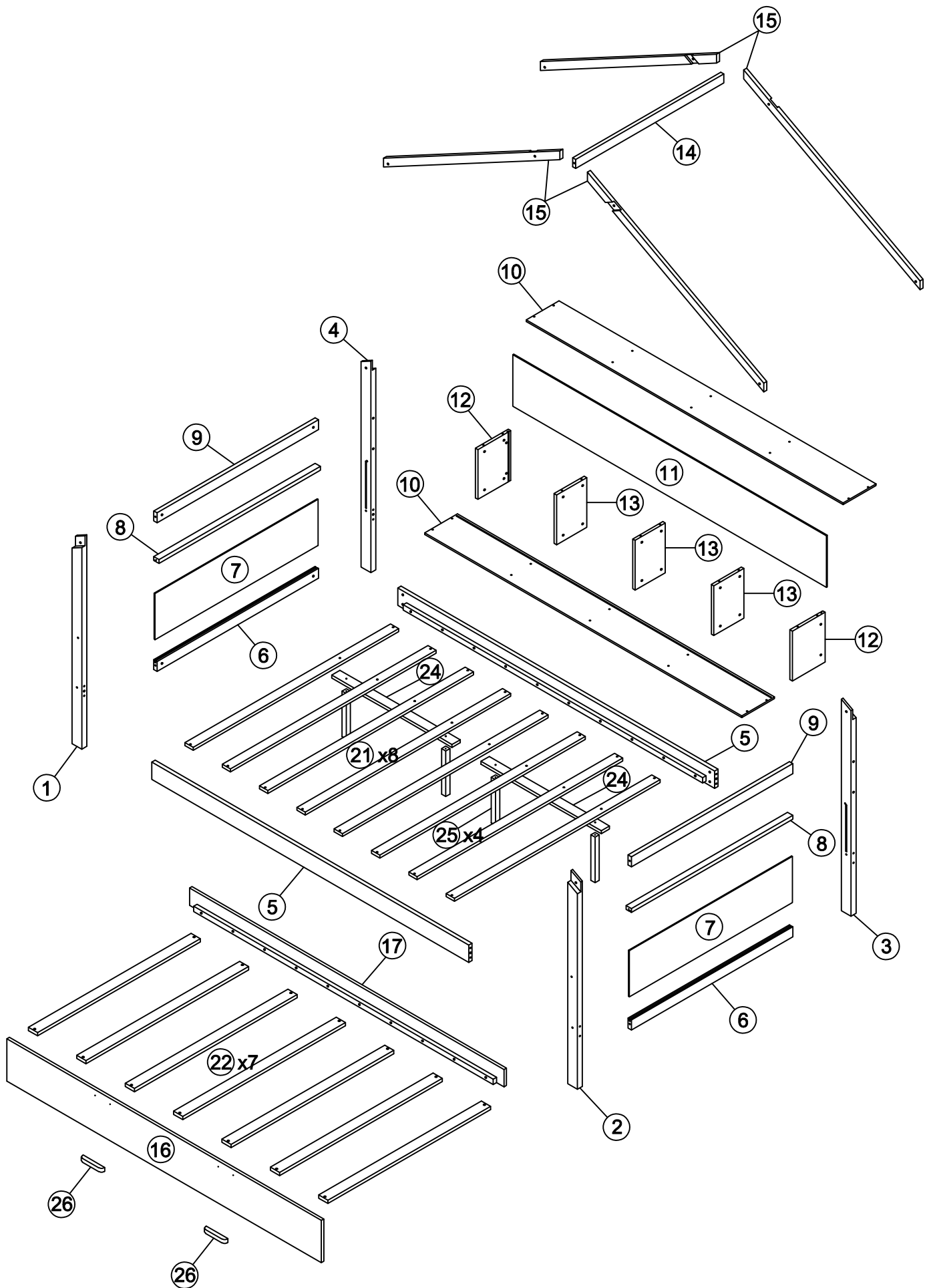
ASSEMBLY INSTRUCTIONS

FULL BED WITH BOOKSHELF AND TRUNDLE



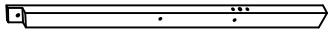

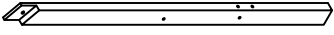
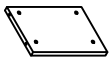
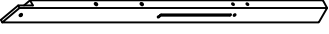
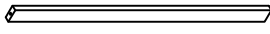
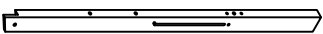



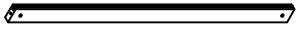
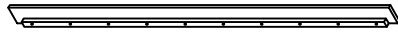
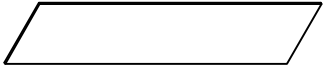
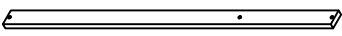
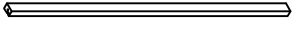
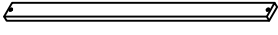
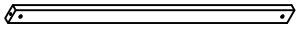
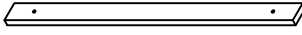
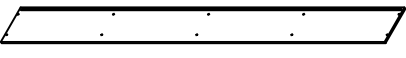
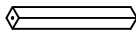
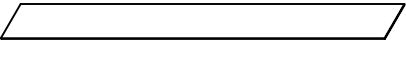

WF531025

ASSEMBLY INSTRUCTIONS






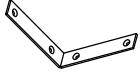


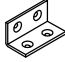













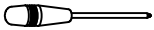
ASSEMBLY INSTRUCTIONS

WF531025 (hardware in this SKU)

1	Leg 	1pc	12	Side bookcase panels 	2pcs
2	Leg 	1pc	13	Center bookcase panels 	3pcs
3	Leg 	1pc	14	Headboard frames 	1pc
4	Leg 	1pc	15	Roof top 	4pcs
5	Side rail 	2pcs	16	Front trundle panels 	1pc
6	Headboard frames 	2pcs	17	Back trundle panels 	1pc
7	Headboard frames 	2pcs	21	Slats 	8pcs
8	Headboard frames 	2pcs	22	Slats 	7pcs
9	Headboard frames 	2pcs	24	Center rails 	2pcs
10	Top & bottom bookcase panels 	2pcs	25	Center rails support legs 	4pcs
11	Back bookcase panels 	1pc	26	Holder 	2pcs

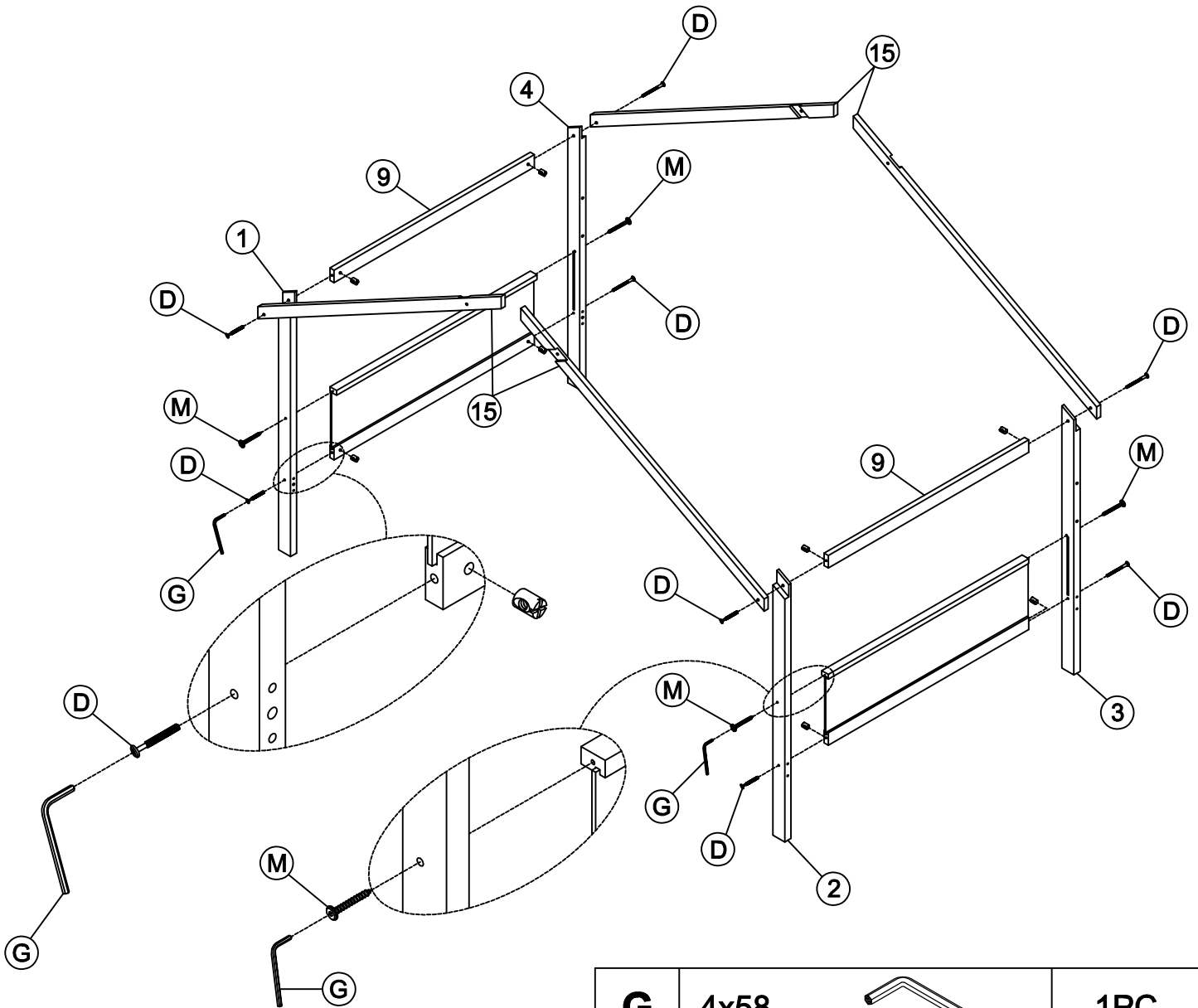
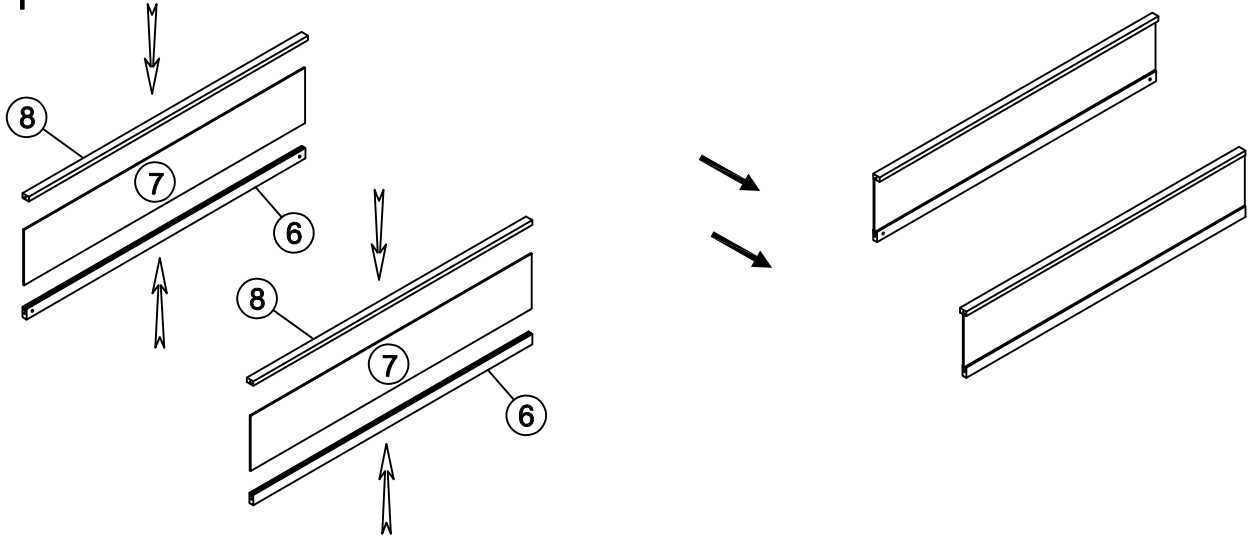
ASSEMBLY INSTRUCTIONS




WF531025 (hardware in this SKU)

A	Ø4x30		42PCS	I	Ø10x40		4PCS
B	Ø4x15		32PCS	J	95x95x20		2PCS
C	1/4x100	 	8PCS	K	40x20x20		2PCS
D	1/4x75	 	8PCS	L	Ø38x46x38		4PCS
E	1/4x65	 	2PCS	M	6.5x60		4PCS
F	1/4x50	 	20PCS	N	6.5x50		4PCS
G	4x58		1PC	O	1/4x25		4PCS
H	1/4x65	 	4PCS	Phillip head screw Not include			

ASSEMBLY INSTRUCTIONS

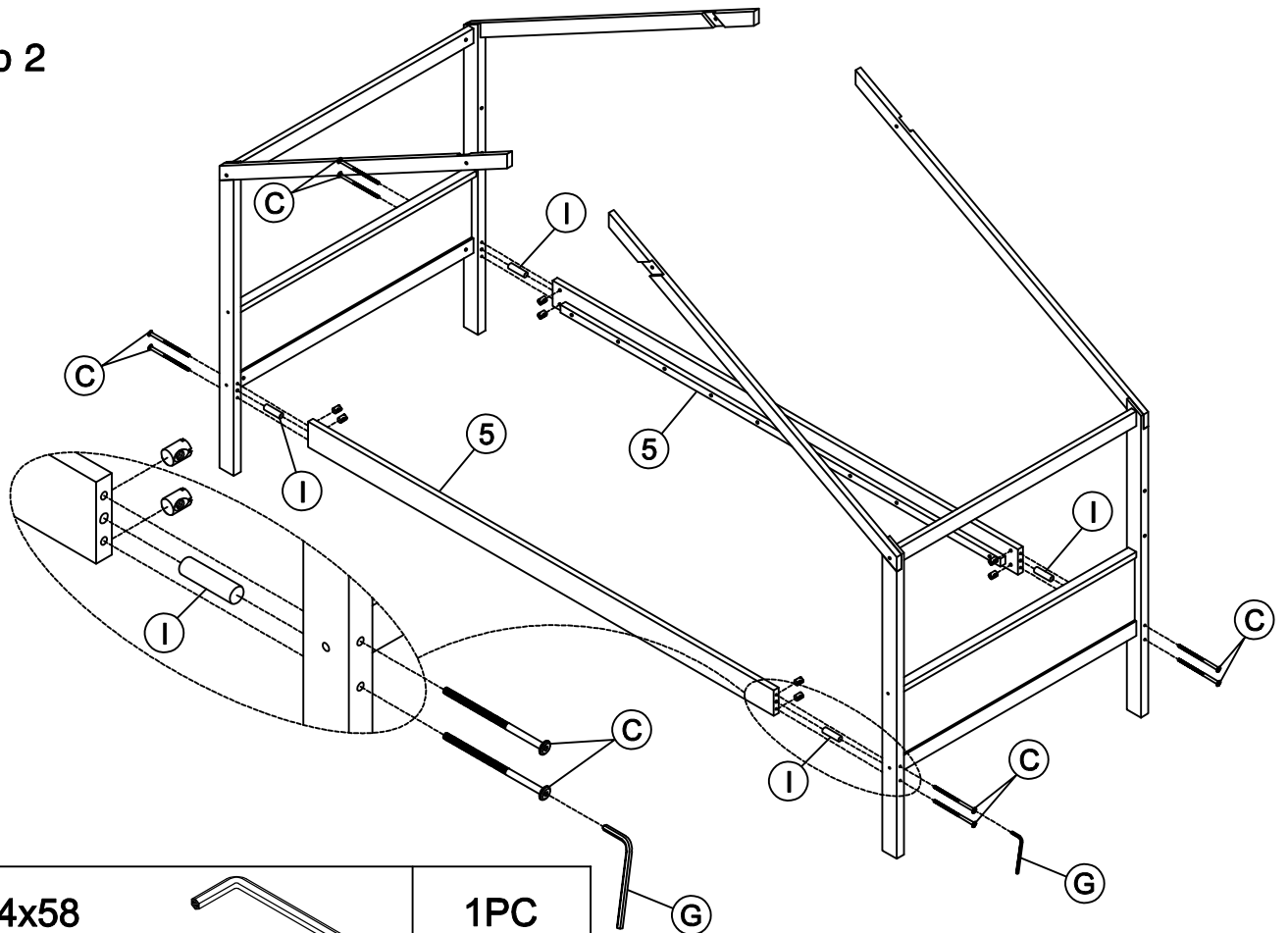
Step 1



G	4x58		1PC
D	1/4x75		8PCS
M	6.5x60		4PCS

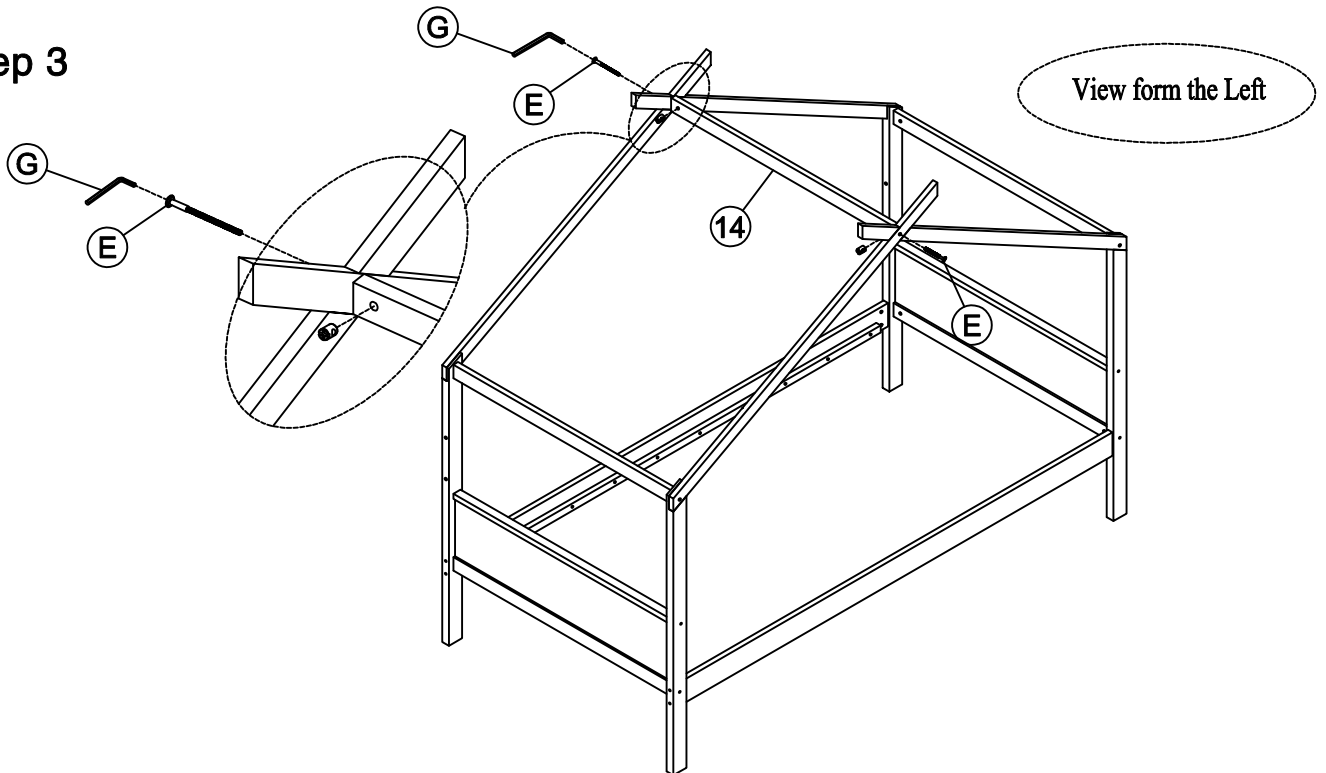
ASSEMBLY INSTRUCTIONS

Step 2



G	4x58		1PC		G	
I	Ø10x40		4PCS	C	1/4x100	8PCS

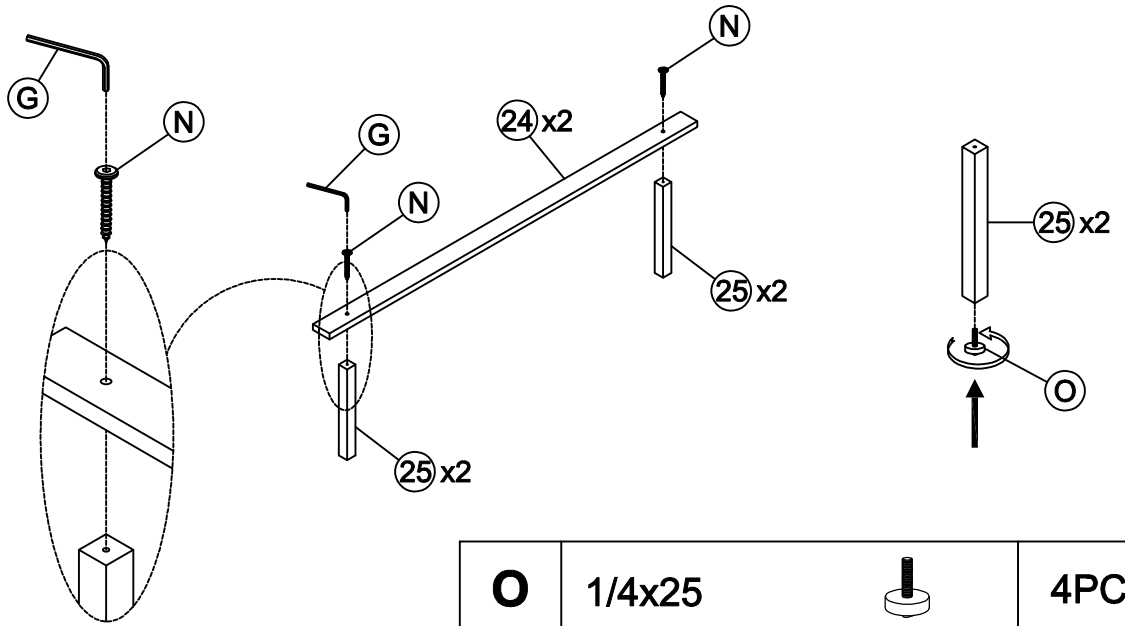
Step 3



E	1/4x65		2PCS	G	4x58		1PC
----------	--------	--	------	----------	------	--	-----

ASSEMBLY INSTRUCTIONS

Step 4

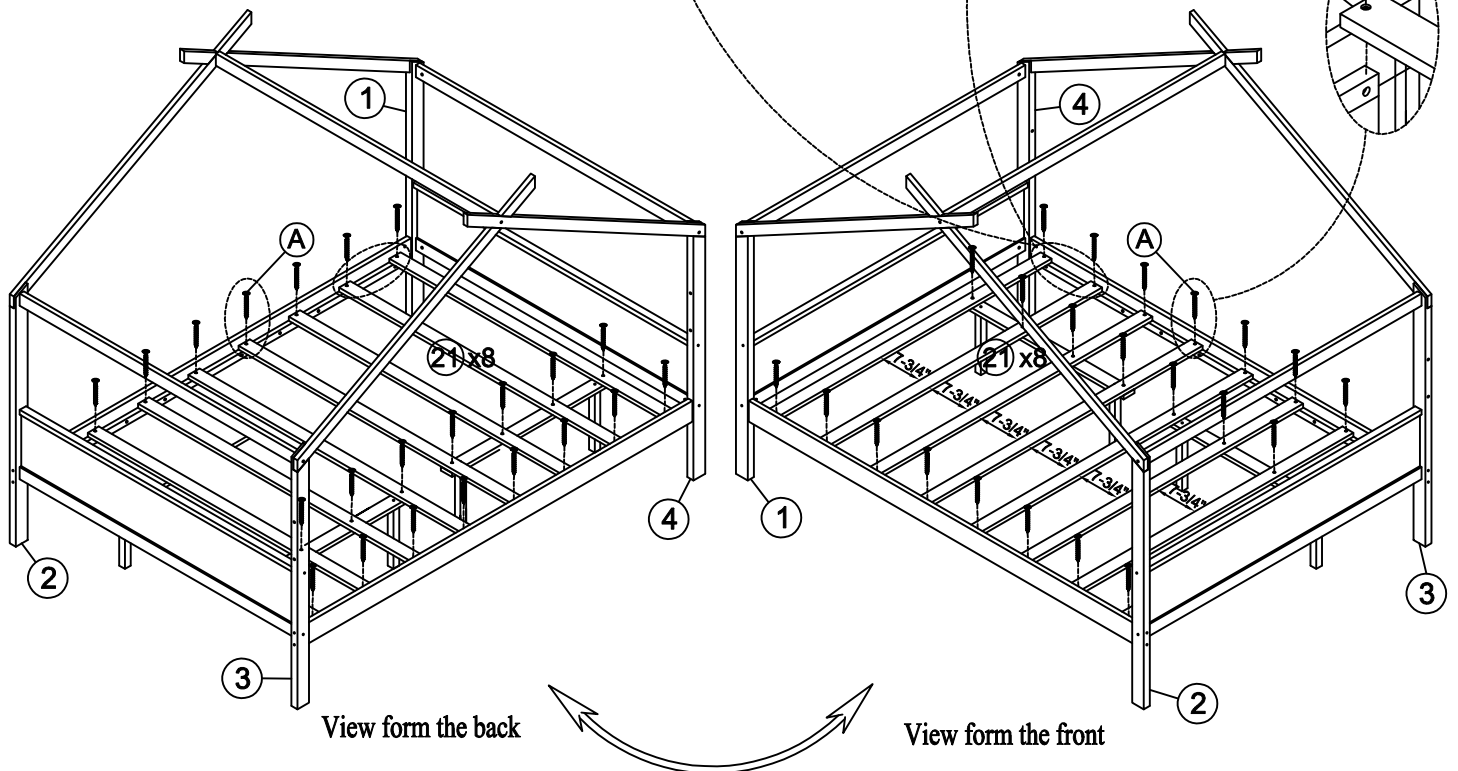
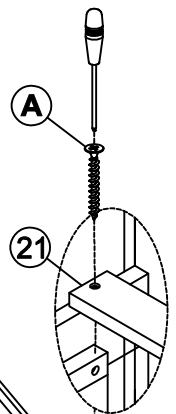
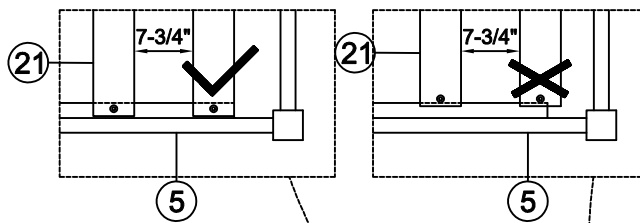


O	1/4x25		4PCS
----------	--------	--	------

N	6.5x50		4PCS	G	4x58		1PC
----------	--------	--	------	----------	------	--	-----

Step 5

First attach 2pcs part 21 to the front and end of the frame between headboard. Then attach the remaining part 21 equidistantly between headboard



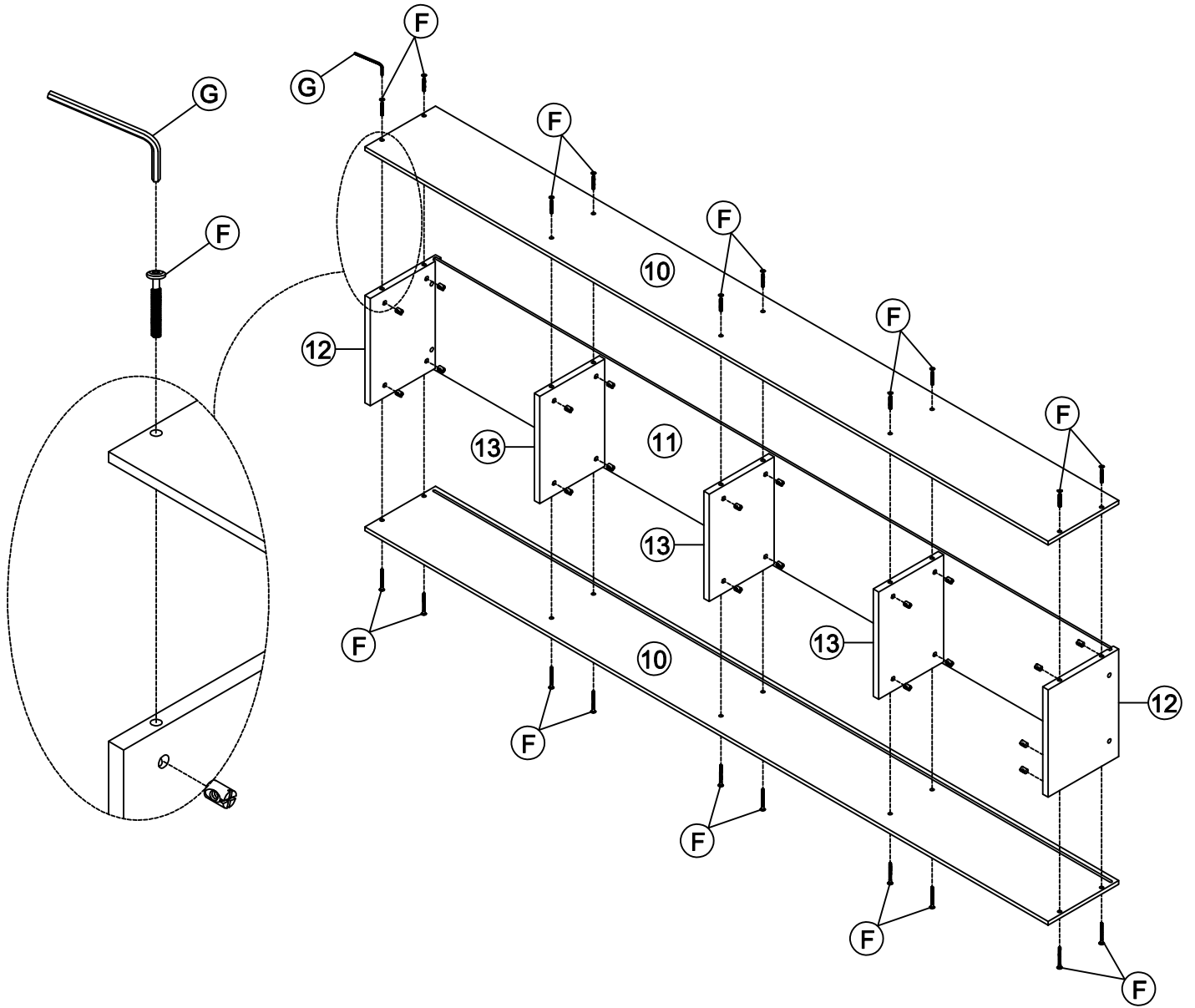
View form the back



View form the front

A	Ø4x30		24PCS
----------	-------	--	-------

ASSEMBLY INSTRUCTIONS

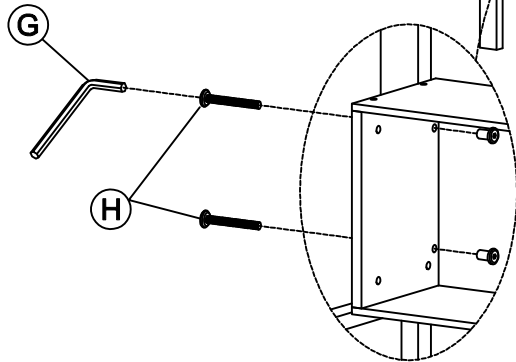
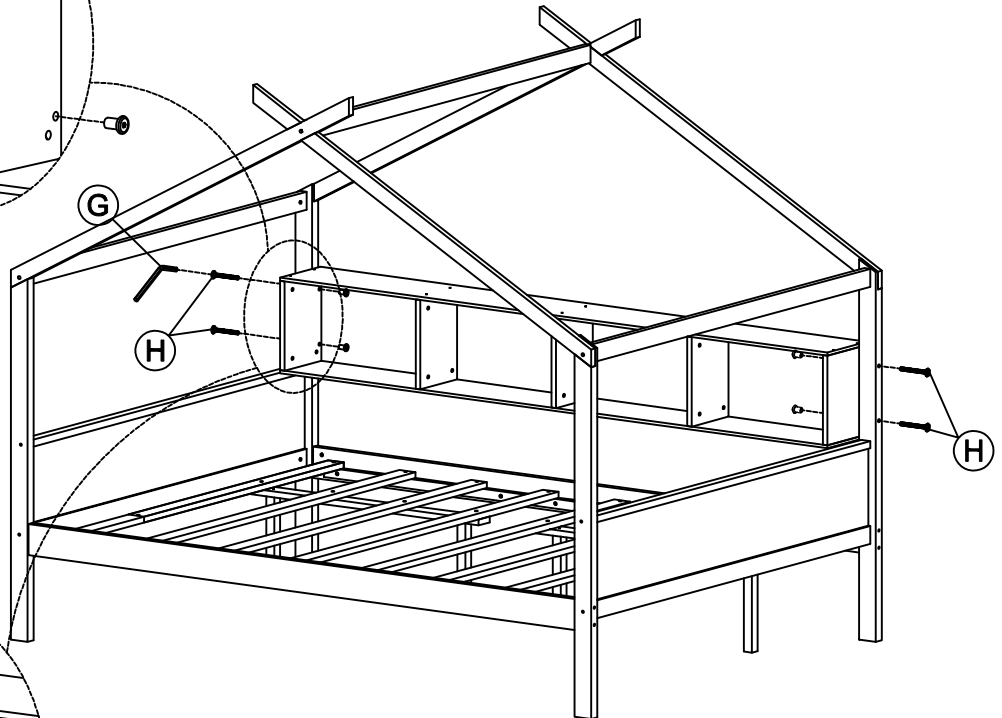
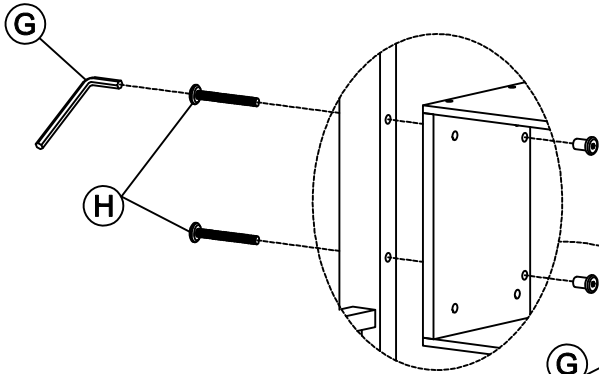
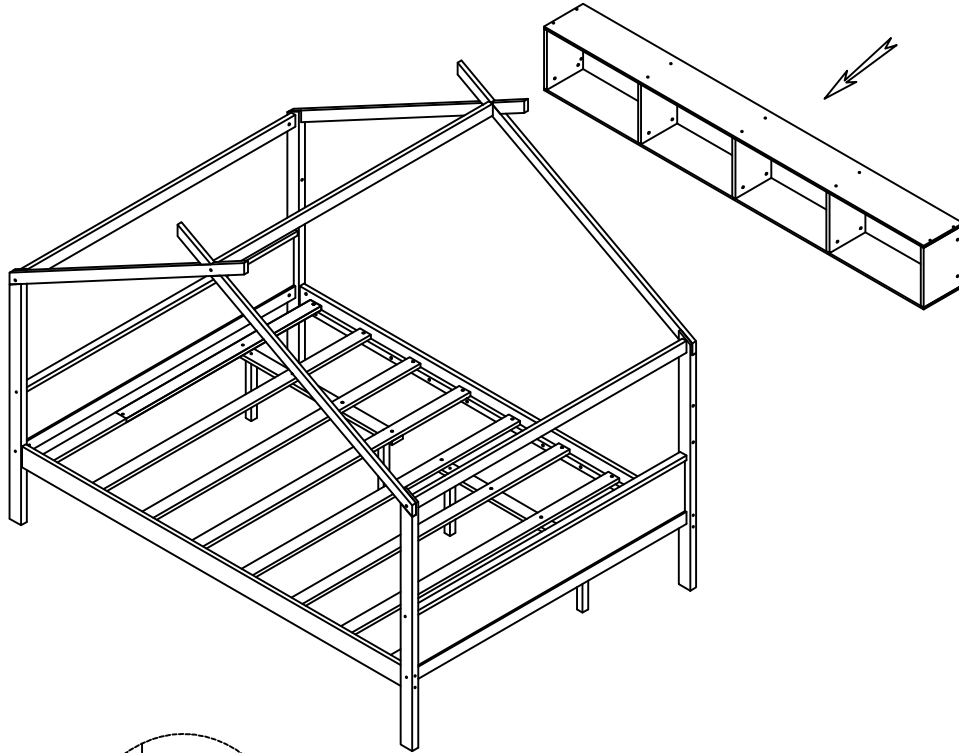
Step 6





F	1/4x50		20PCS	G	4x58		1PC
----------	--------	---	-------	----------	------	---	-----

ASSEMBLY INSTRUCTIONS

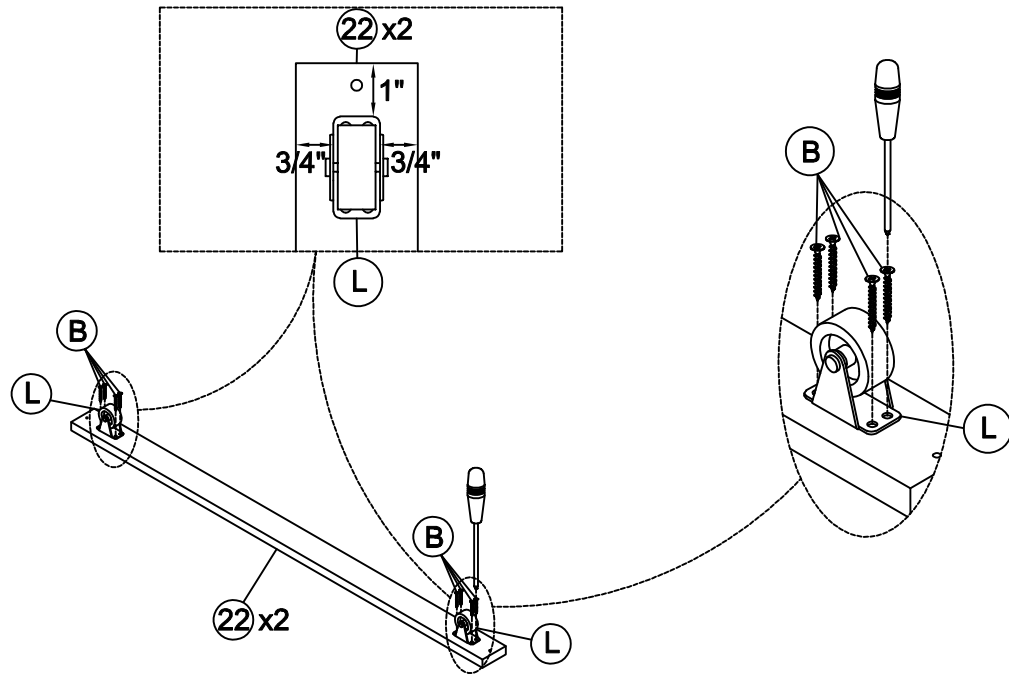
Step 7





H	1/4x65		4PCS	G	4x58		1PC
----------	--------	---	------	----------	------	---	-----

ASSEMBLY INSTRUCTIONS

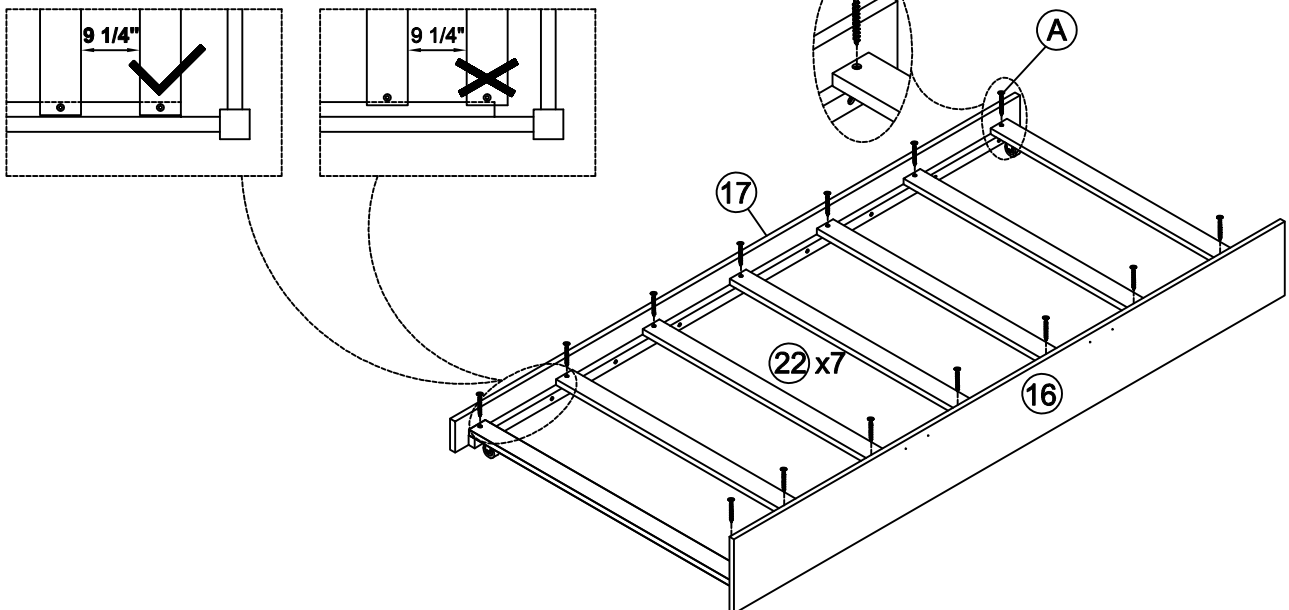
Step 8



L	Ø38x46x38		4PCS	B	Ø4x15		16PCS
----------	-----------	--	------	----------	-------	--	-------

Step 9

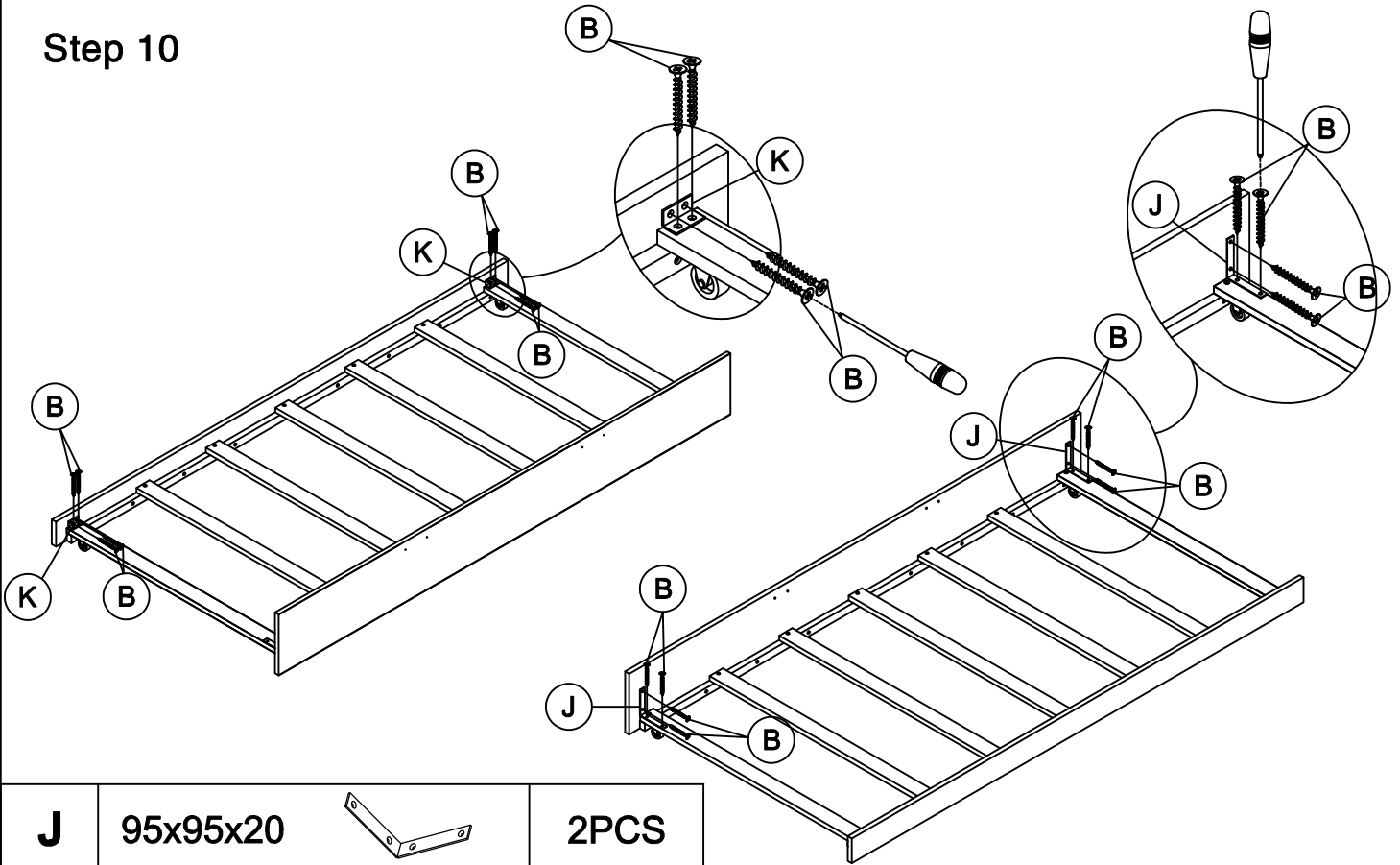
First attach 2pcs part 22 to the front and end of the frame between headboard. Then attach the remaining part 22 equidistantly between headboard

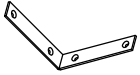
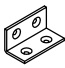



A	Ø4x30		14PCS
----------	-------	---	-------

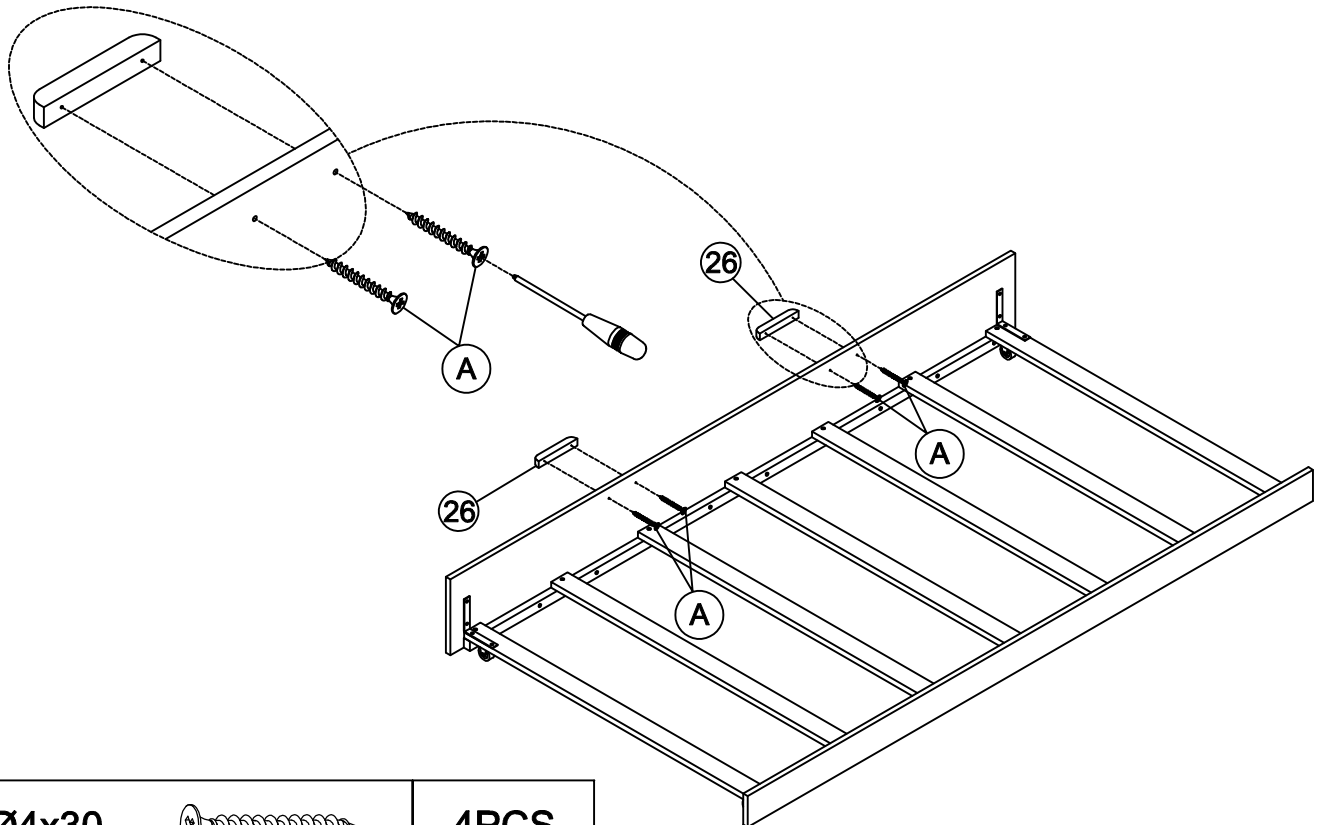
ASSEMBLY INSTRUCTIONS


Step 10



J	95x95x20		2PCS				
K	40x20x20		2PCS	B	Ø4x15		16PCS

Step 11



A	Ø4x30		4PCS
----------	-------	---	------

ASSEMBLY INSTRUCTIONS

Step 12

