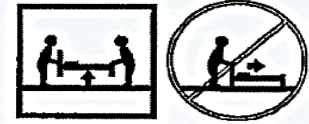
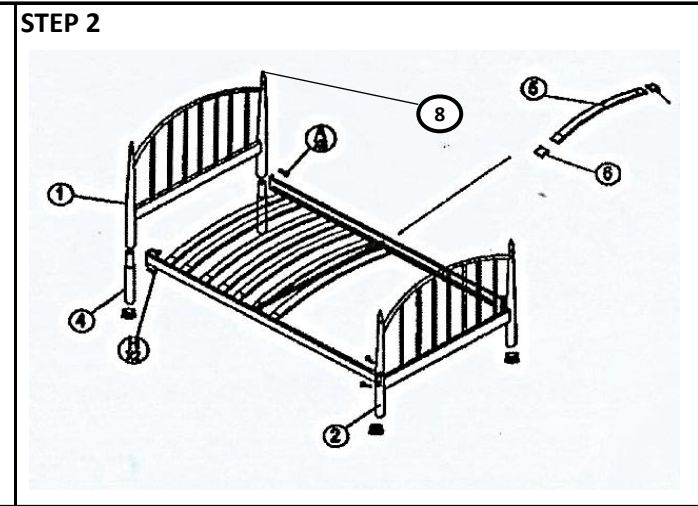
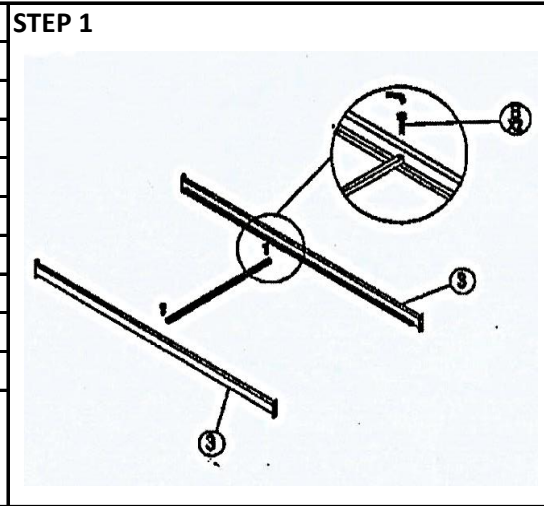


DESCRIPTION : TWIN BED

ASSEMBLY INSTRUCTION



PART LIST		
NO	DESCRIPTION	QTY
1	HEADBOARD	1 PC
2	FOOTBOARD	1 PC
3	SIDE RAIL	2 PCS
4	HEADBOARD JOIN	2 PCS
5	BENDWOOD SLAT	11 PCS
6	END CAP	22 PCS
7	CENTRE BAR	1 PC
8	CORNER KNOBS	4 PCS



PART LIST		
NO	DESCRIPTION	QTY
A	JCBC (M6 X 20)	6 PCS
B	JCBC (M6 X 40)	2 PCS
C	M6 WASHER	4 PCS
D	M6 HEXNUT	4 PCS
E	M4 ALLENKEY	1 PC
F	M10 WRENCH	1 PC
G	38 MM ROUND CAP	4 PCS
H	JCBC (M6 X 50)	2 PCS

