


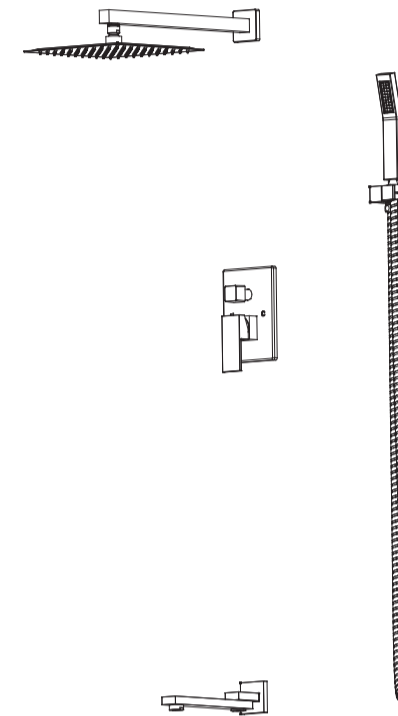
BL0141-10MB  
 方形内牙三功能花洒 说明书 (尺寸A4: 210x297mm)  
 正背面打印 / 单色K.

正面

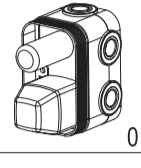
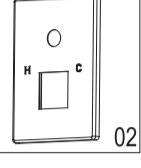
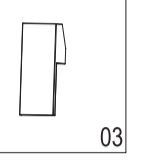
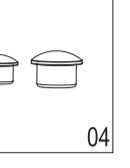
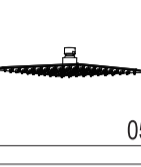
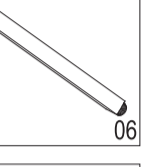
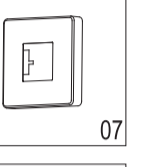
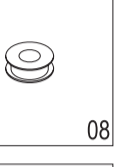
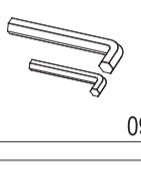
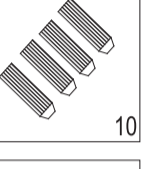
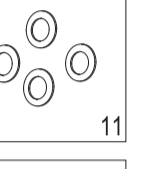
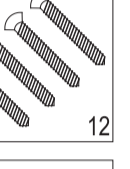

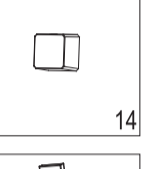
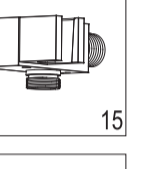
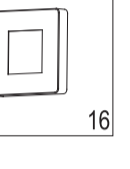


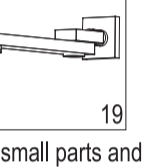


## Installation Instruction

### BL0141-10MB



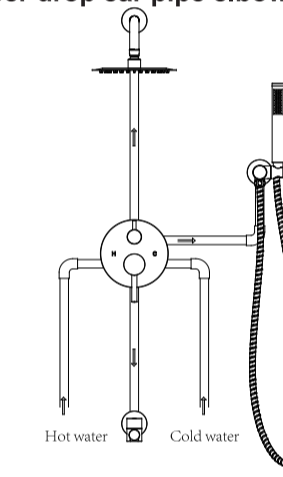
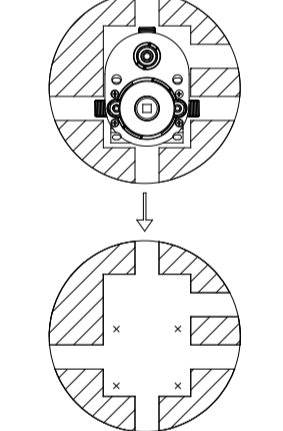
**Package list of Two Functions shower**

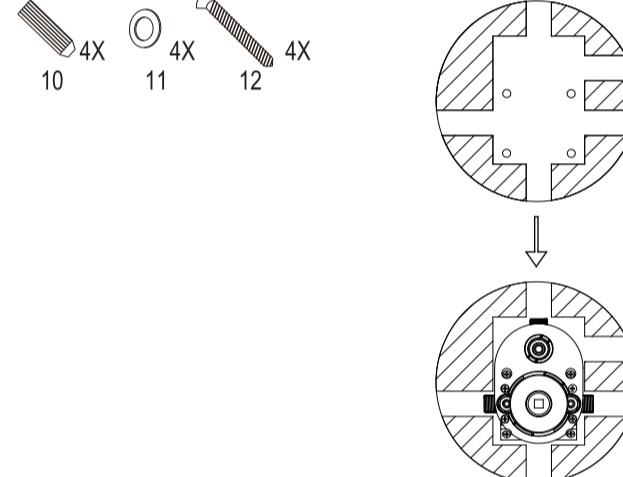
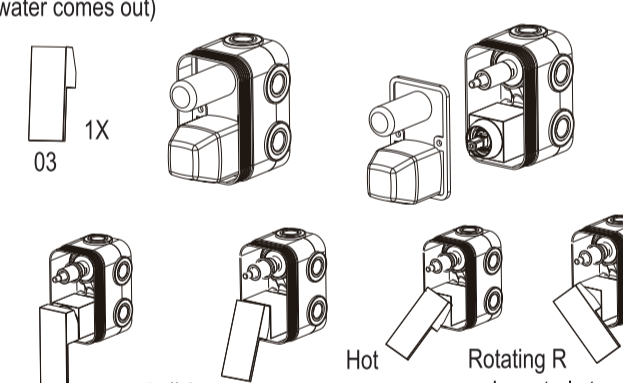
WARNING: Choking hazard. Please keep all small parts and plastic bags out of the reach of children. Plumbers with license install this shower system only.

---

**Step 1: The depth is for reference only**  
 Design water pipe sict Recommend using copper drop ear pipe elbow(1/2"-14NPT)

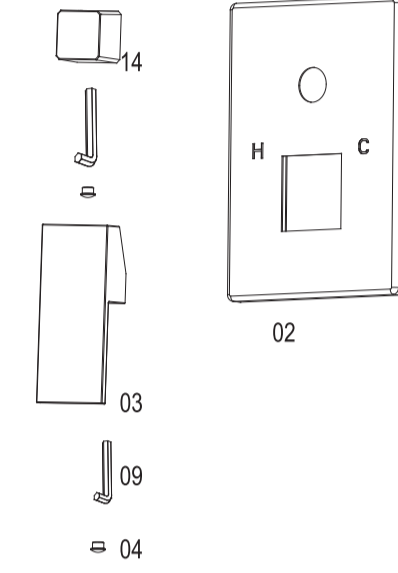



**Step 2. Clean the insides of all water pipes and fittings of dirt and other impurities.**  
 (Be suitable for Pex pipe, Copper pipe and PVC pipe). Check for leakage and/or blockage on both hot and cold water supplies. (Shower valve must be connected with hot and cold water pipe. If only connect one, there is no water comes out)

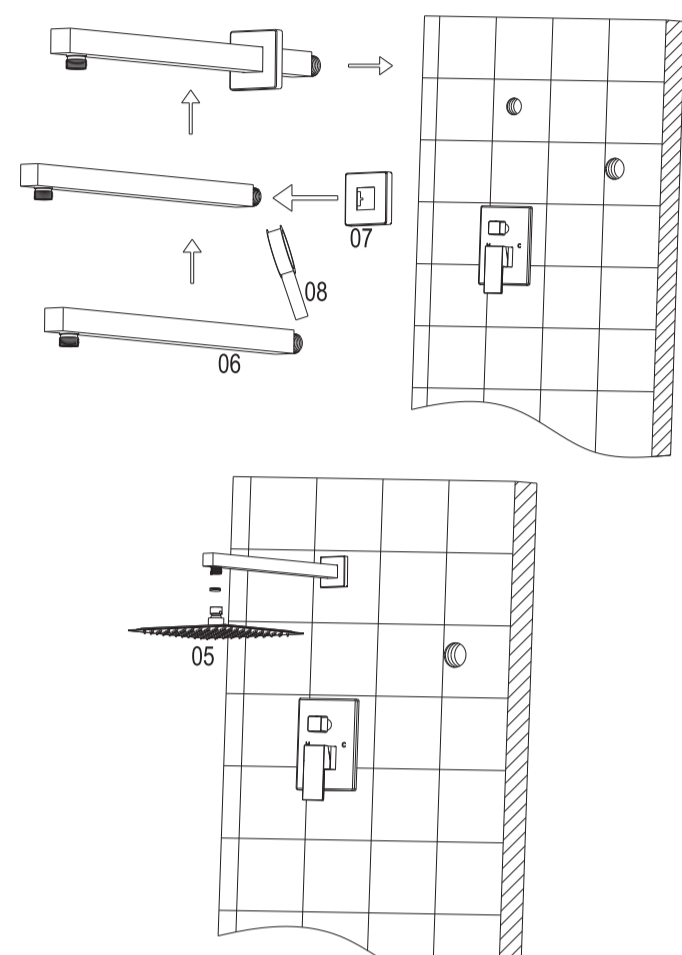



背面

**Step 3. Tiles (If you tile too thick, there is no enough space to install plate and handle).**

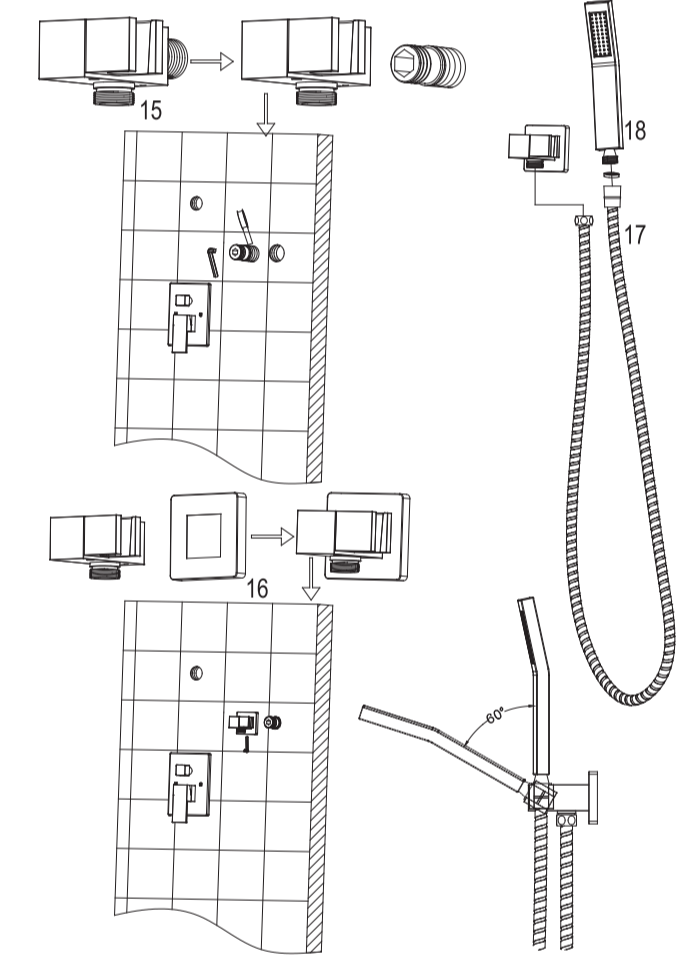


**Step 4. Install Shower Arm and Rain Shower Head**

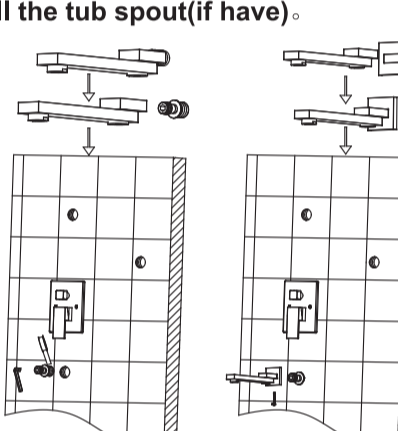


---

**Step 5. Install Shower bracket (if have). Install hand-held shower and hose (if have).**



**Step 6. Install the tub spout (if have).**



**CAUTION !!!**

1. Water lines must be completely flushed before use, to avoid debris dogs in your water system leading to reduction of water flow and mal-functioning.
2. Warranty is void if water lines are not flushed prior to use and installation of the new faucet.
3. Use of abrasives of any strength may damage the finish of the faucet and void the product warranty.
4. Do not over tighten your faucet on the countertop during installation. The valve assembly i tested to meet the standards set by ASME A112.18.1 sec 5.8 which is listed at 100 LBF. However, over-tightened or over-torqued nuts may lead to cracks on the valve and will eventually lead to leaking and water damage.
5. Before installation of the faucet to the desired fixture, you need to secure and anchor your console, sink, tub, or vanity cabinet firmly to the wall and to the floor. To ensure your fixture or faucet mounting surface cannot be moved, before installation of the faucet please test to see if the cabinet or vanity can be moved by hand or body weight if the faucet mounting fixture is not secure and anchored, it will eventually crack the valve and cause leaking leading to property damage. In order to avoid this, be sure to secure your installation surface. Do not use any Power Tools for assembly and installation which can cause internal fractures to the fixture.

**Service Contact:** ✉ [service@boyliving.com](mailto:service@boyliving.com)  
 ☎ 323-982-8955 🌐 [www.boyliving.com](http://www.boyliving.com)