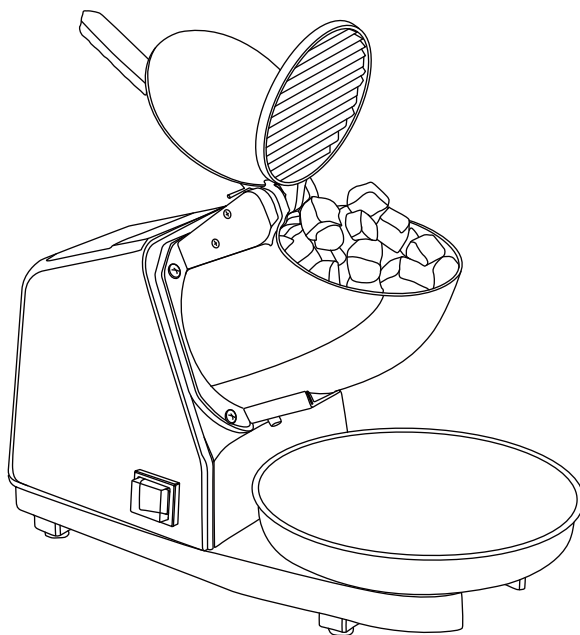

Ice Shaver

Owner Manual (Quick start guide)



TECHNICAL SPECIFICATIONS

Voltage: 110V

Input Power: 380W

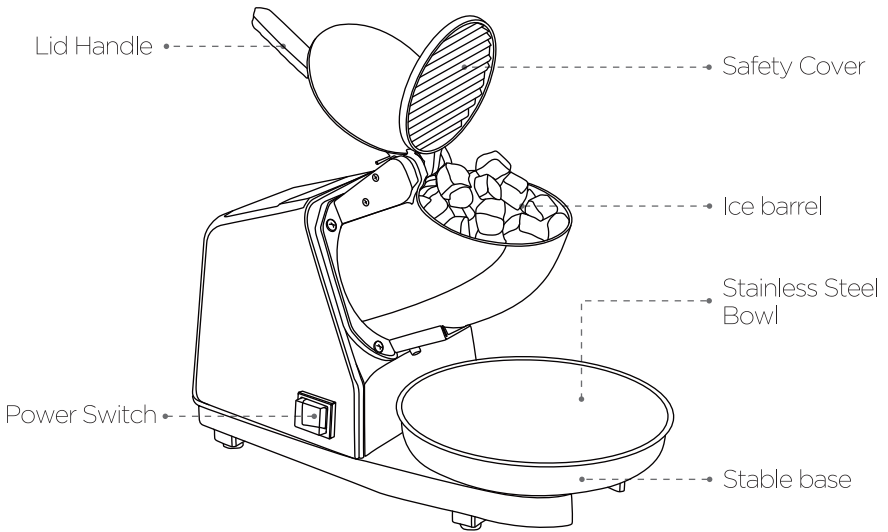
Power: 300W

Frequency: 50Hz/60Hz

Product Weight: 9.2 LBS

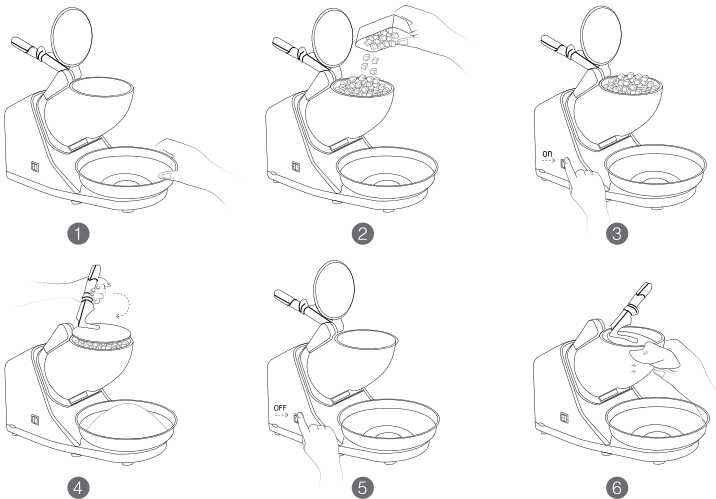
Speed: 2200r/min

PRODUCTS FEATURES



OPERATING YOUR ICE SHAVER

1. Lift the hopper lid's handle BEFORE plugging in. Make sure your outlet is suitable for the ice shaver and the ground wire is reliable. The shaver operates between 110V and 120V. Place bowl under shaver to catch the ice.
2. Pour ice cubes in hopper. Do not allow ice cubes to protrude from the hopper's rim.
3. Flip power switch to "On" position.
4. Use steady pressure to press the ice cubes into the hopper with the lid's handle for the blade to begin shaving ice. When hopper is empty, lift handle immediately.
5. Push the power switch to the "Off" position and unplug the ice crusher.
6. Wipe the ice crusher dry for your next use to prevent any contamination during storage. Store in a dry place.



CLEANING & MAINTENANCE

1. Make sure to dry your ice machine after use and before storage to prevent any mold or bacteria from forming.
2. Store in a dry place, preferably away from dust.
3. Before use, it is advisable to clean and wipe the machine down gently in case of dust or other contaminants' entry.

WARNINGS

1. DO NOT allow fingers to enter the shaving chamber. Do not attempt to operate for any purpose other than to shave ice.
2. Please use caution with the ice shaver. Do not submerge in water or put electric parts in contact with liquids outside of the normal course of operation.
3. When operating in the proximity of children, be extra careful. The ice shaver is not designed for use by children.
4. If the outlet of the ice shaver becomes jammed with ice, the motor may overheat and burn out. Make sure you observe a steady flow of shaved ice coming out of the outlet during operation.
5. VIVOHOME is not responsible for improper use. Actions of the owner are the owner's risk to bear.

NOTE

To continuously improve its products, VIVOHOME reserves the right to modify this information without prior notification.

For any questions during assembly, please watch the video in the product page for reference. Or contact our customer service with any questions, comments, or concerns. Thank you for using VIVOHOME products in your home!

IMPORTANT SAFEGUARDS READ ALL INSTRUCTIONS

- To prevent personal injury or properly damage read and follow all instructions and warnings.
- When using electrical appliances, basic safety precautions should always be followed including:
 - To protect against fire, electric shock, and injury to persons, do not immerse cord, plugs, or other electric parts in water or other liquids.
 - Close supervision is necessary when this appliance is used by or near children.
 - Always unplug from outlet when not in use and before cleaning.
Allow to cool before putting on or taking off parts and before cleaning
 - Do not operate any appliance with a damaged cord or plug, after the appliance malfunctions, or has been damaged in any manner.
 - The use of accessory attachments is not recommended, may cause fire, electric shock, or injury.
 - Do not use the appliance outdoors.
 - Do not let cord hang over the edge of a table or counter, or touch hot surface. Do not place on or near a hot gas or electric burner, or in a heated oven.
 - Always remove from wall outlet by pulling on plug, Never pull on cord to avoid rise of fraying or splitting cord.
 - Do not use appliance in any way other than its intended use.
Do not attempt to repair this appliance yourself.
 - A short power-supply cord is provided to reduce risks of becoming entangled in or tripping over a longer cord.
 - This appliance has a polarized plug (one blade is wider than the other). To reduce the risk of electric shock, this plug is intended to fit into the outlet, reverse the plug. If it still does not fit, contact qualified electrician. Do not attempt to modify the plug in any way.
 - Do not use an outlet or extension cord if the plug fits loosely or if the outlet or extension cord feels hot.
 - Avoid contact with moving parts.
 - Blade is sharp, Use extreme caution during assembly, while operating, disassembly and cleaning.

IMPORTANT SAFEGUARDS READ ALL INSTRUCTIONS

- Do not use if blade is broken, cracked or loose.
- Do not leave appliance unattended while it is operating.
- Do not run this appliance continuously for more than 5 minutes as overheating may occur. Allow motor to cool down before repeat usage.
- Do not run machine without ice in the auger as damage to appliance may occur.
- Never place fingers or utensils into the feed or discharge areas to reduce the risk of severe injury to persons or damage to the shaver.
- Children should be supervised to ensure that they do not play with the appliance.
- This appliance is not intended for use by persons (including children) with reduced physical, sensory or mental capabilities, or lack of experience and knowledge, unless they have been given supervision or instruction concerning use of the appliance by a person responsible for their safety.

SAVE THESE INSTRUCTIONS BEFORE USING FOR THE FIRST TIME

Please check all packaging material carefully before discarding.

Many accessory parts are contained within the packaging material.

Hand-wash the ice tray and hopper with warm, soapy water, do not wash any parts in a dishwasher.

Clean exterior of the appliance with a damp, soft cloth and wipe dry.

CAUTION: The hopper contains a sharp shaving blade, handle with care,

Never immerse the motor in water or any other liquid.

The max. standard processing time is 120 seconds.

CAUTION: Never attempt to sharpen shaving blade.

This appliance has no user serviceable parts.

HELPFUL HINTS

- Be sure you have an adequate supply of ice cubes.
- If your motor is laboring or if you get poor shaving results, soften your ice cubes. This can be done by letting your ice sit at room temperature for a few minutes, or running briefly under cool tap water.
- DO NOT overfill the hopper, the cover should sit flush without forcing.
- Cube shaped ice performs better than the half-moon shaped ice from ice makers round cubes from store-bought bagged ice.

Thank You For Purchasing From
VIVOHOME
MADE IN CHINA