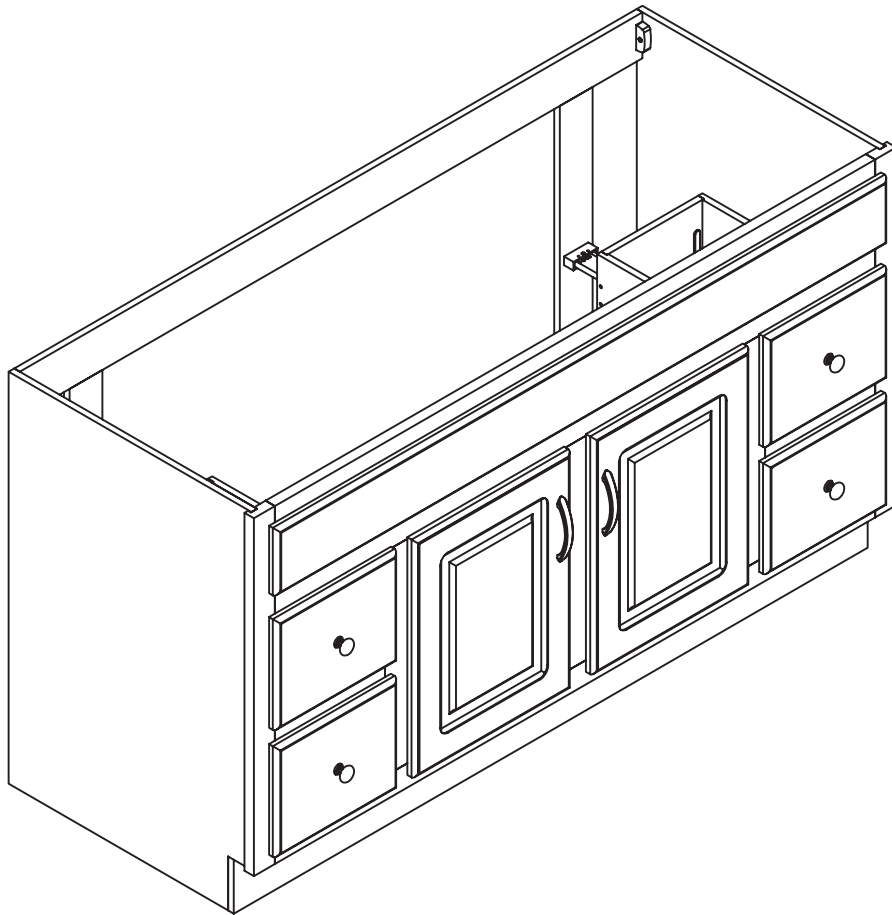
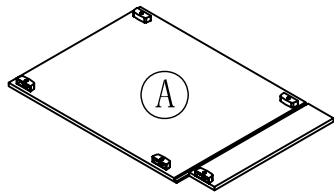


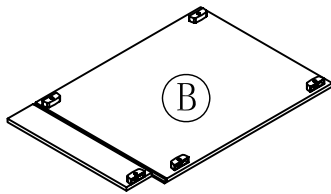
ASSEMBLY INSTRUCTIONS



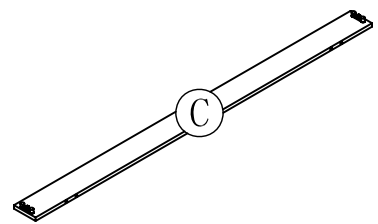
PARTS LIST:



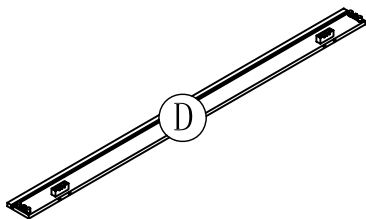
LEFT SIDE PANEL 1PC



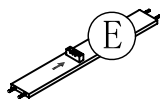
RIGHT SIDE PANEL 1PC



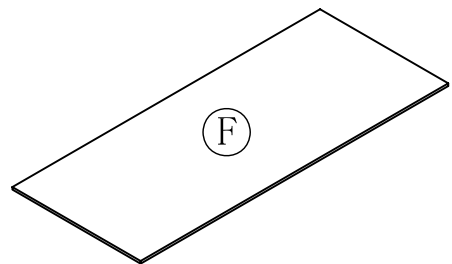
BACK UP CROSS
BRACE 1PC



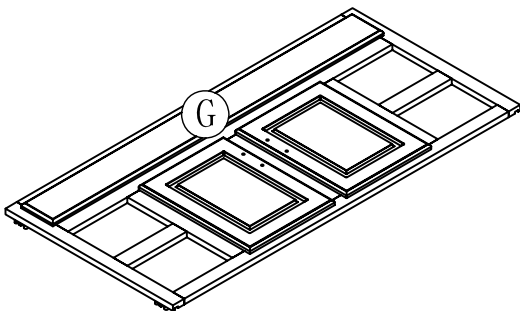
BACK DOWN CROSS
BRACE 1PC



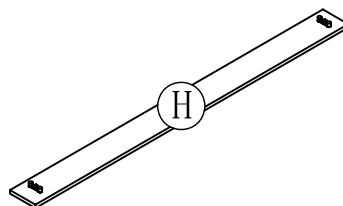
BACK PARTITION
PANEL 2PCS



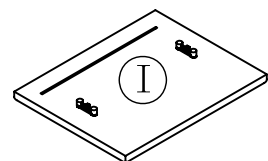
BOTTOM PANEL 1PC



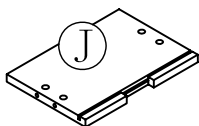
FRONT FRAME 1PC



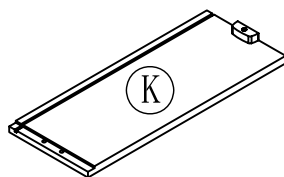
TOE KICK PANEL 1PC



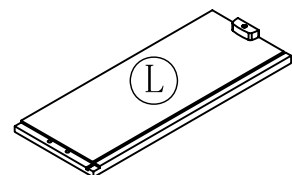
DRAWER FRONT
PANEL 4PCS



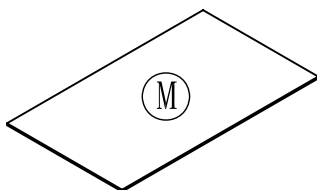
DRAWER BACK
PANEL 4PCS



DRAWER LEFT
SIDE PANEL 4PCS

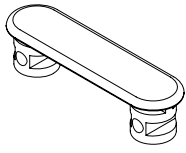


DRAWER RIGHT
SIDE PANEL 4PCS



DRAWER BOTTOM
PANEL 4PCS

HARDWARE LIST:



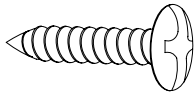
b. PLASTIC ANCHORS 8PCS



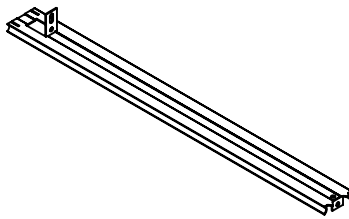
d. 1" L FLAT HEAD
SCREW 4PCS



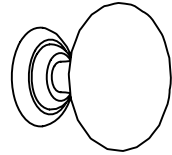
e. 1-1/4" L FLAT HEAD
SCREW 16PCS



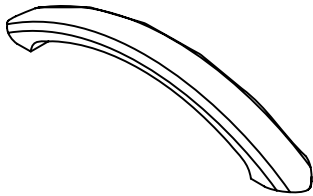
g. ROUND HEAD SCREW
(FOR DRAWER GUIDE) 12PCS



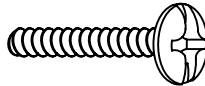
i. DRAWER GUIDE (1) 4PCS



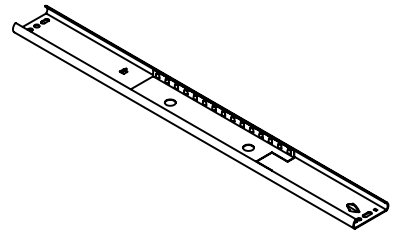
l. KNOB 4PCS



m. HANDLE 2PCS

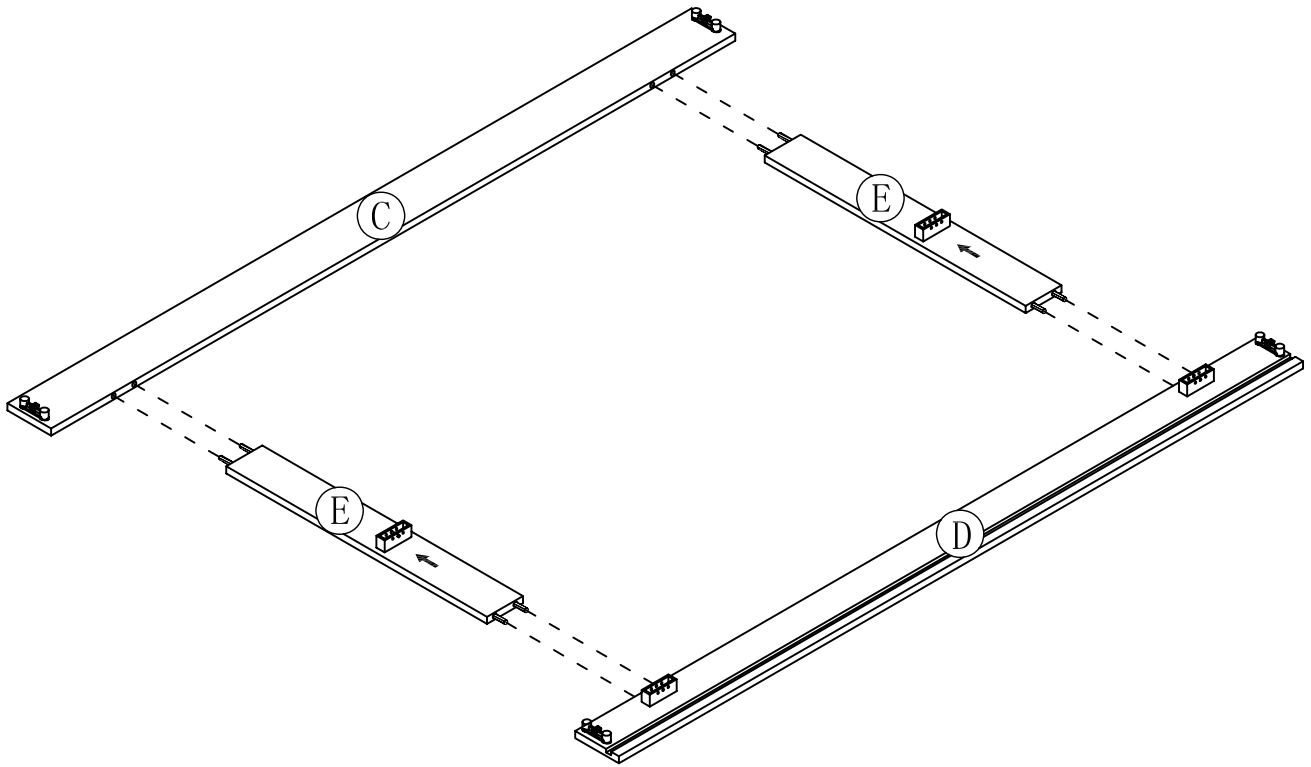


n. HANDLE (KNOB)
BOLT 8PCS

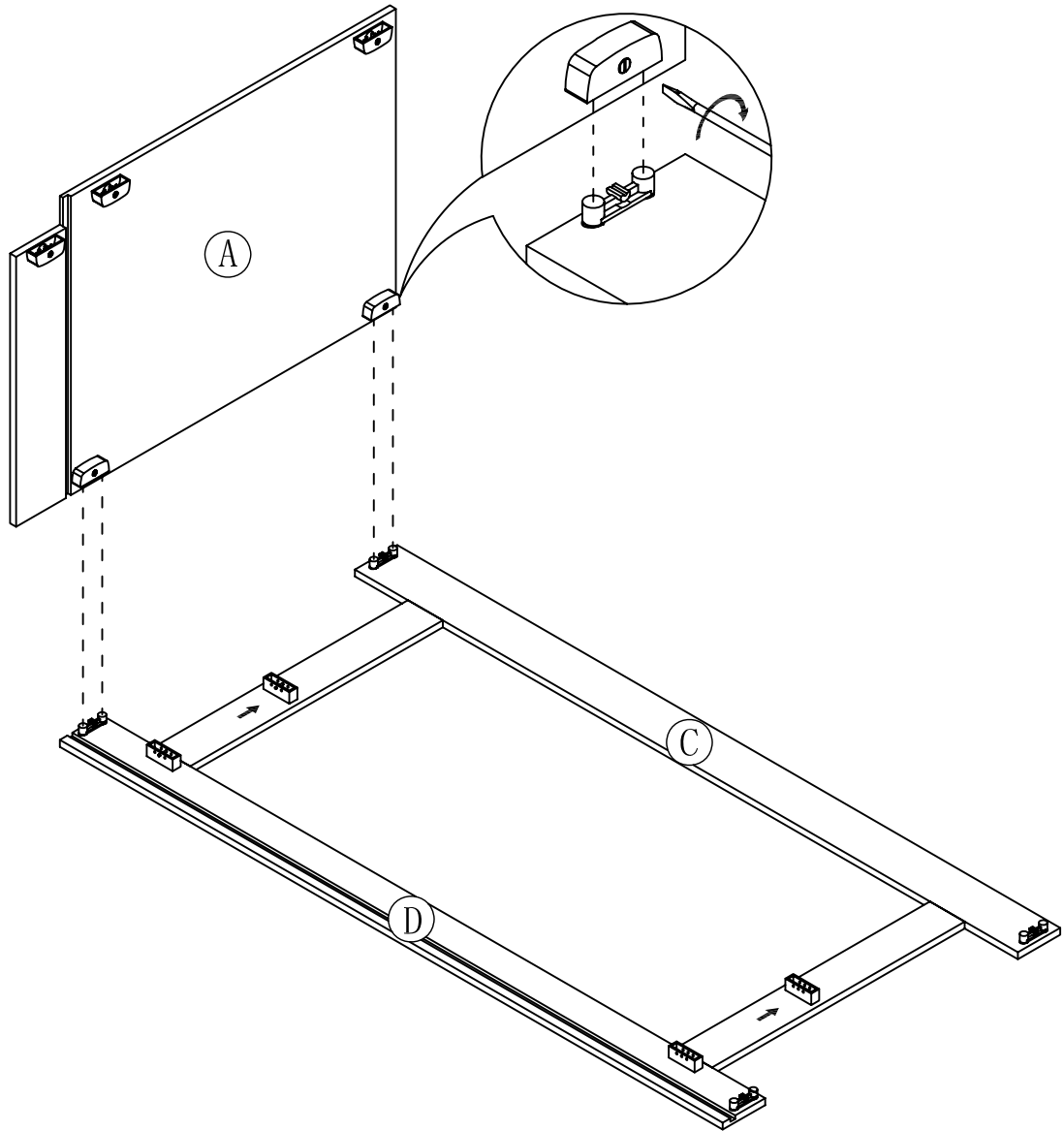


y. DRAWER GUIDE (2) 4PCS

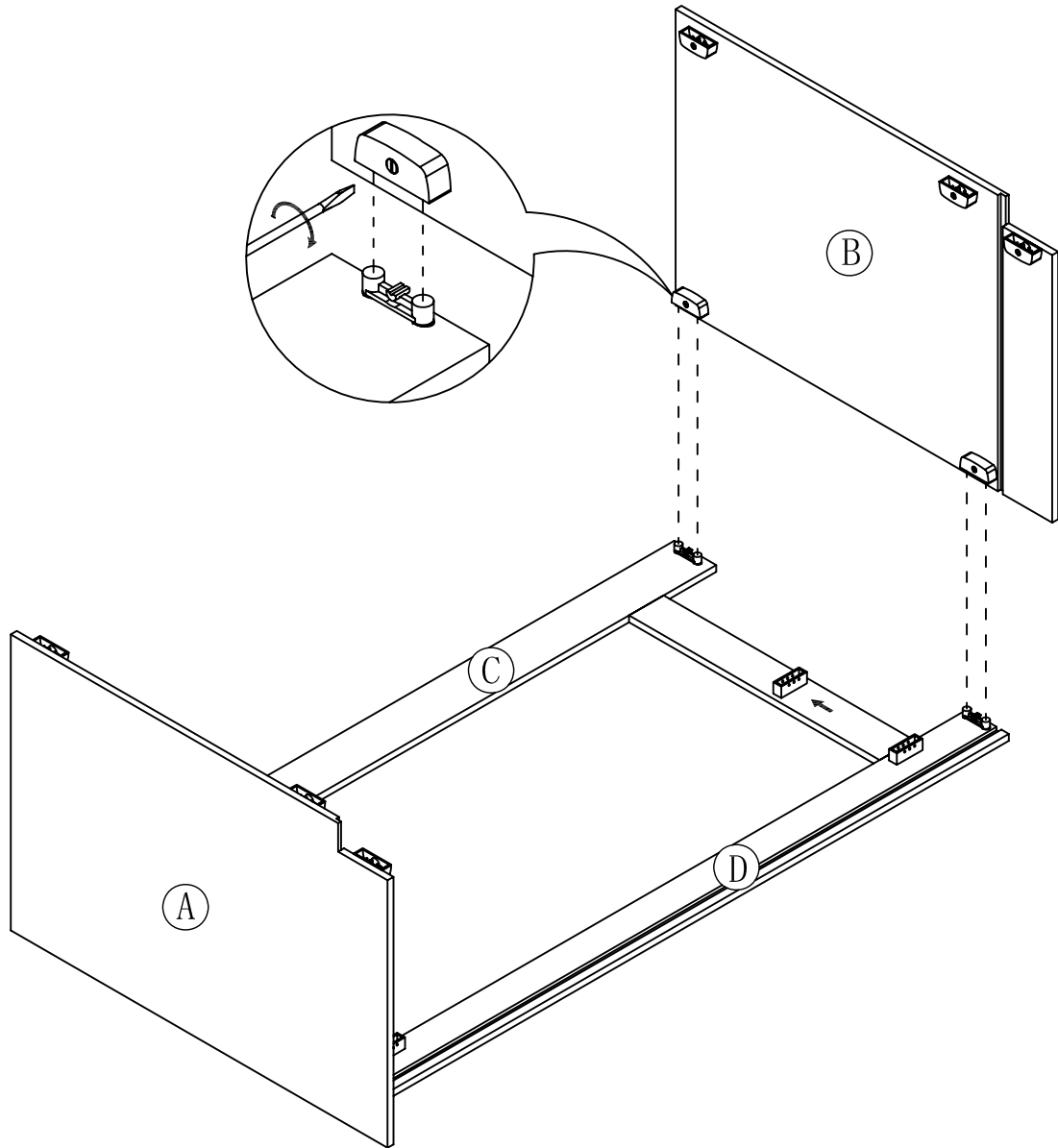
STEP 1



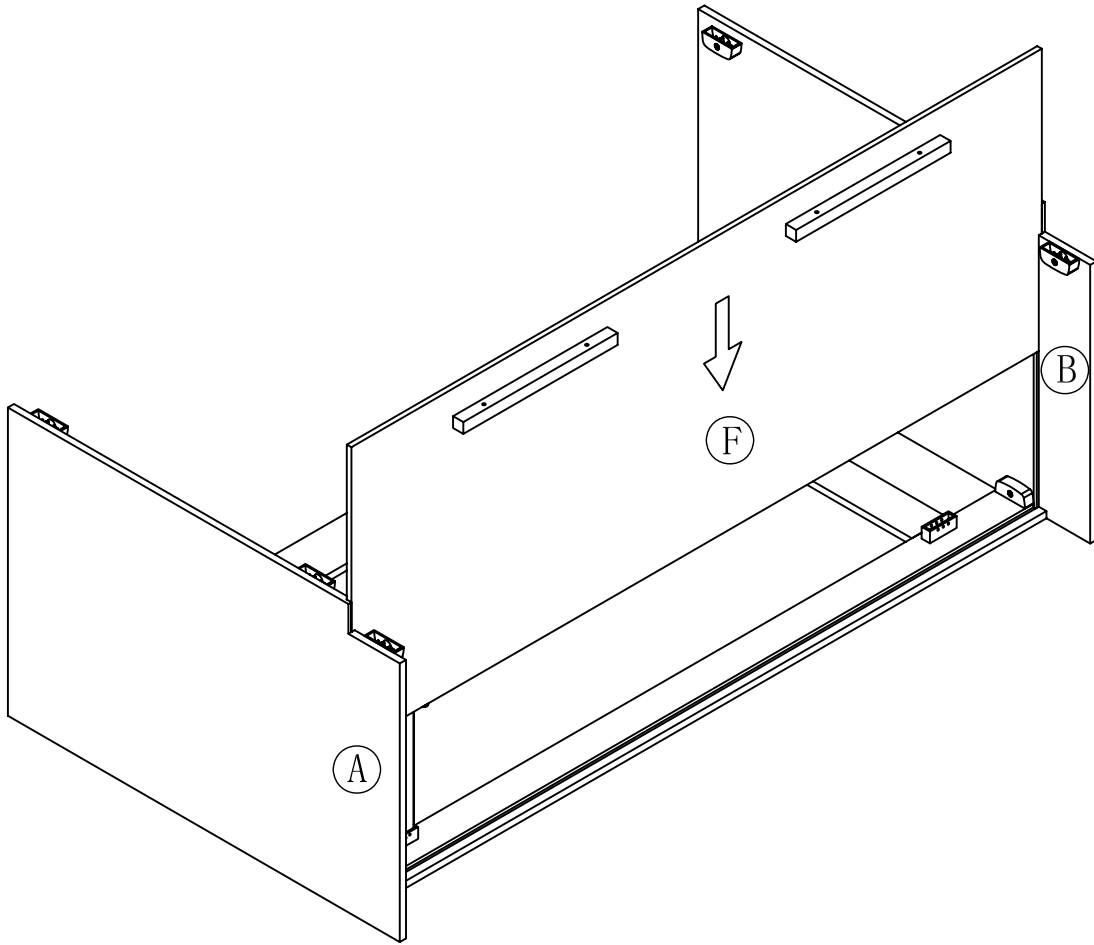
STEP 2



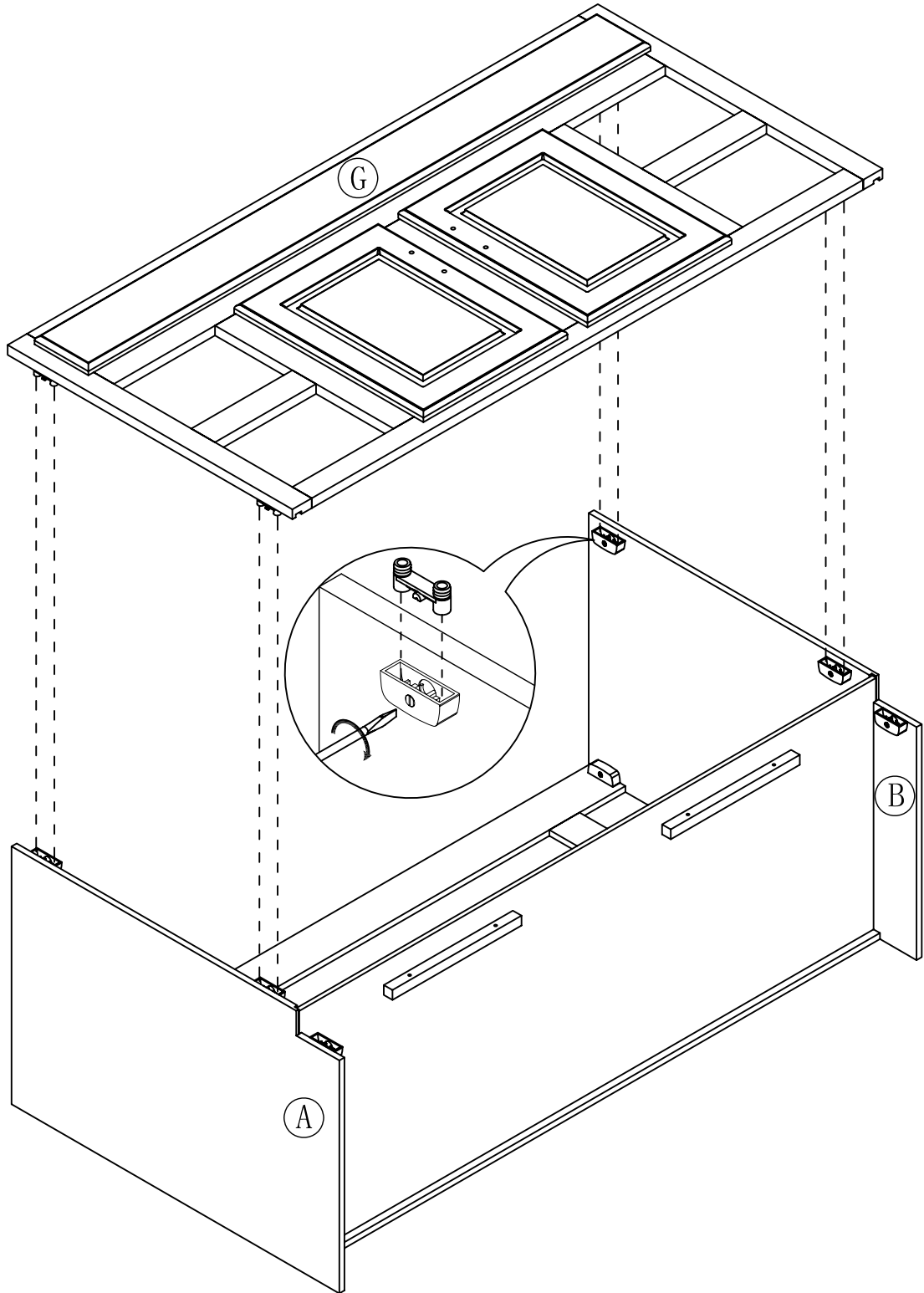
STEP 3



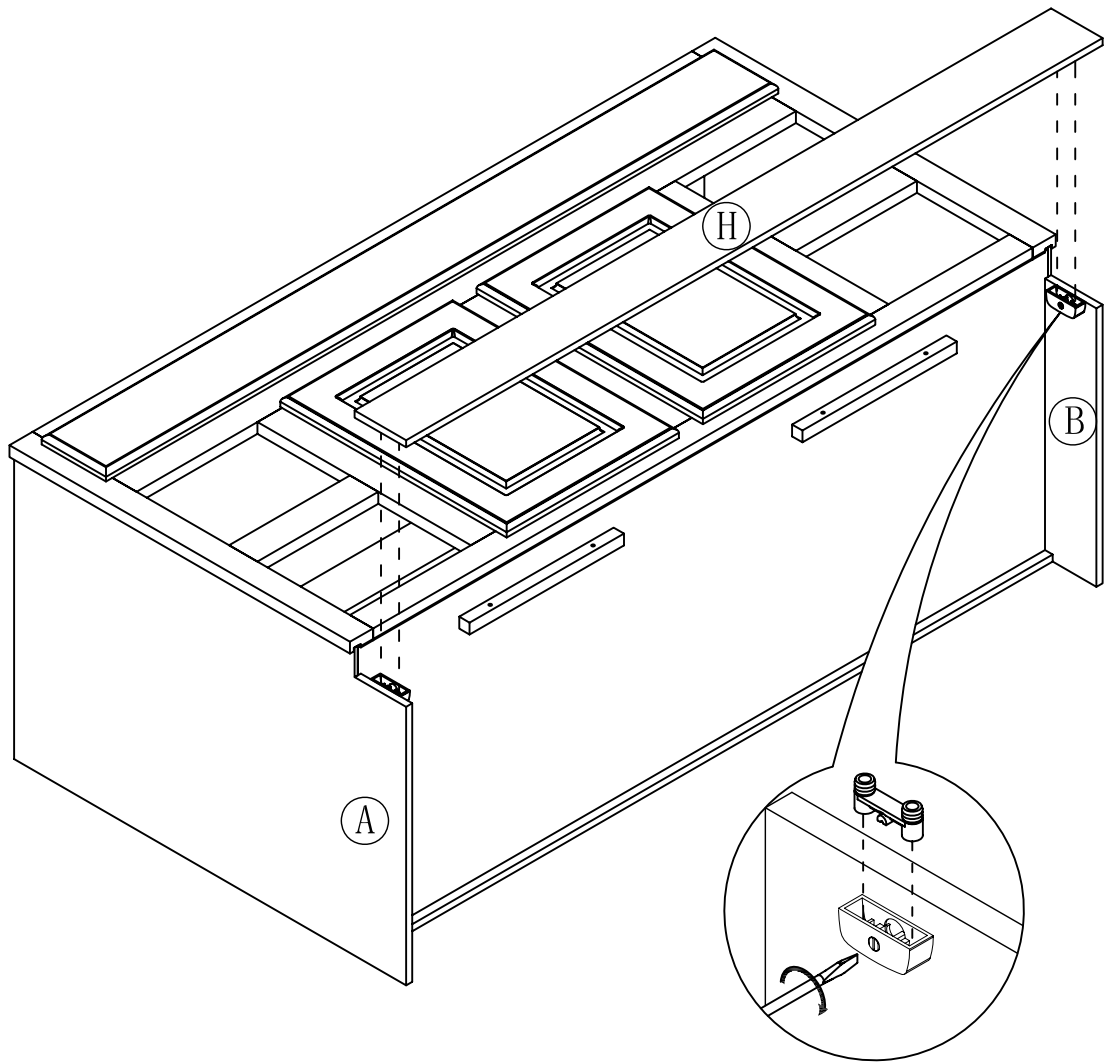
STEP 4



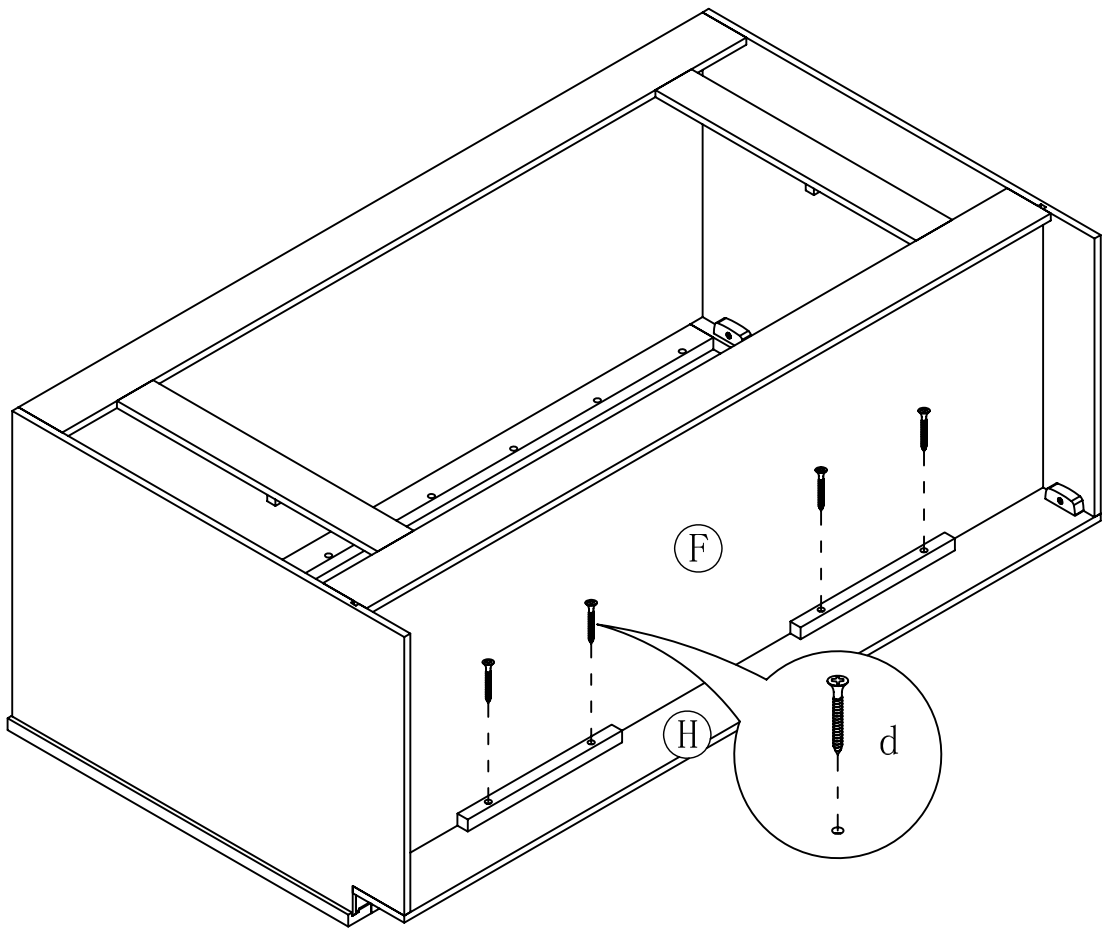
STEP 5



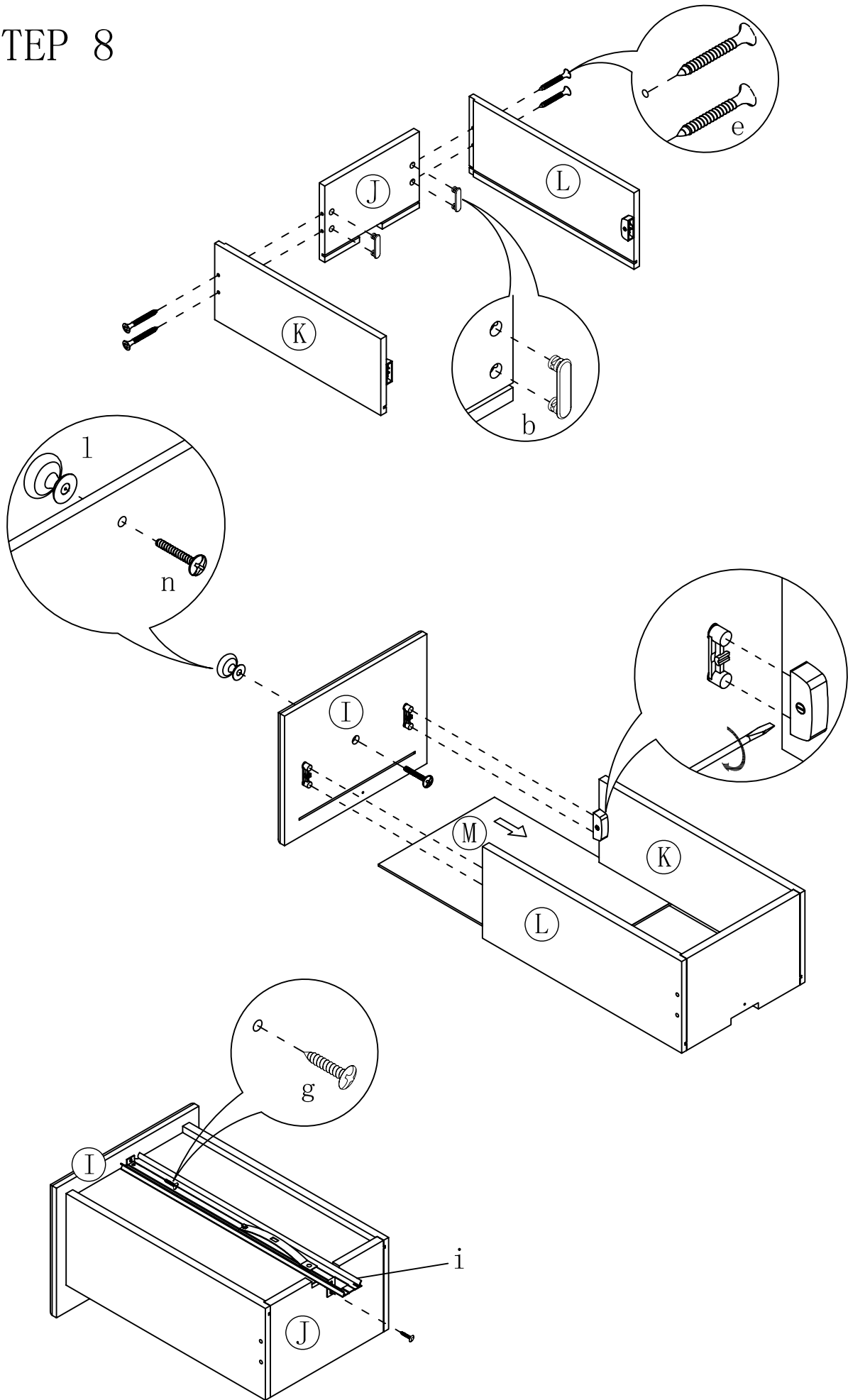
STEP 6



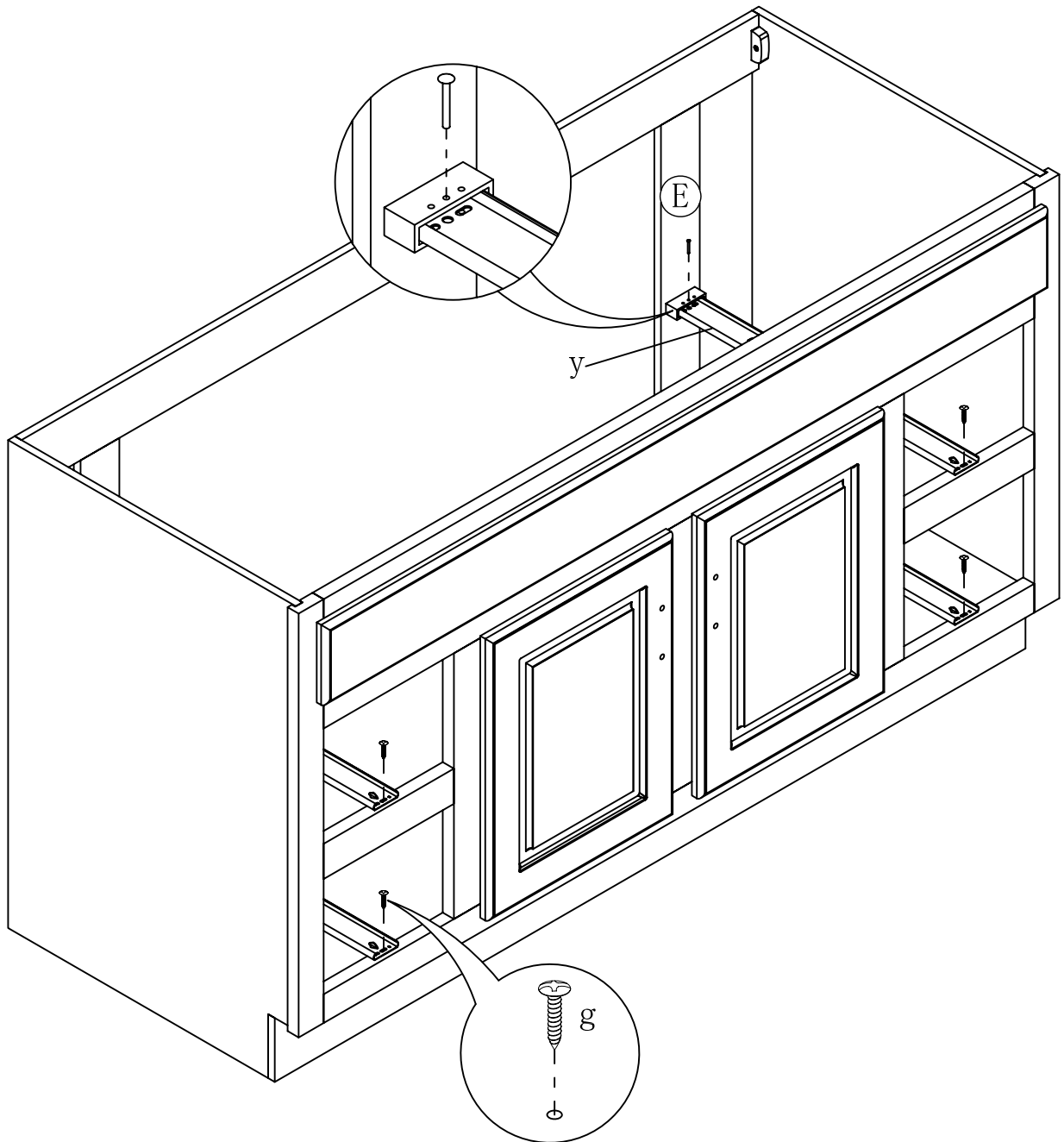
STEP 7



STEP 8



STEP 9



STEP 10

